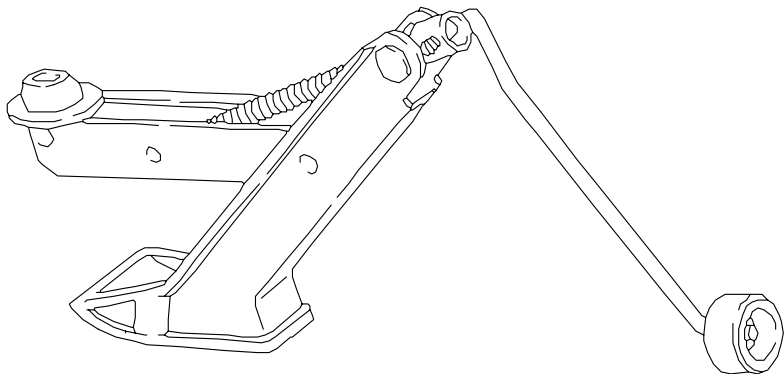
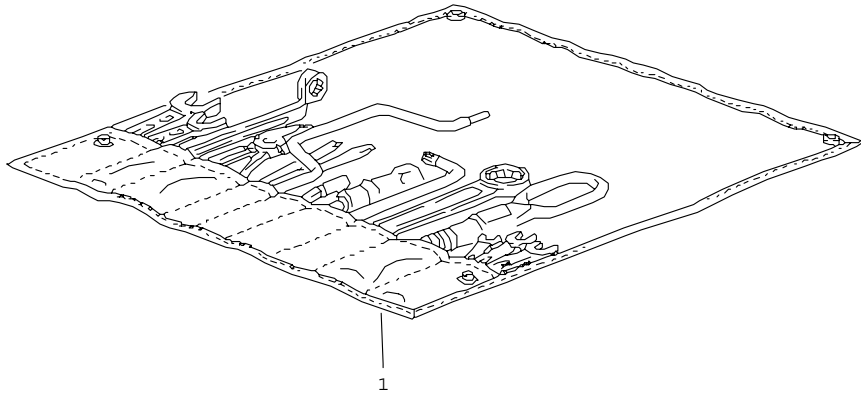
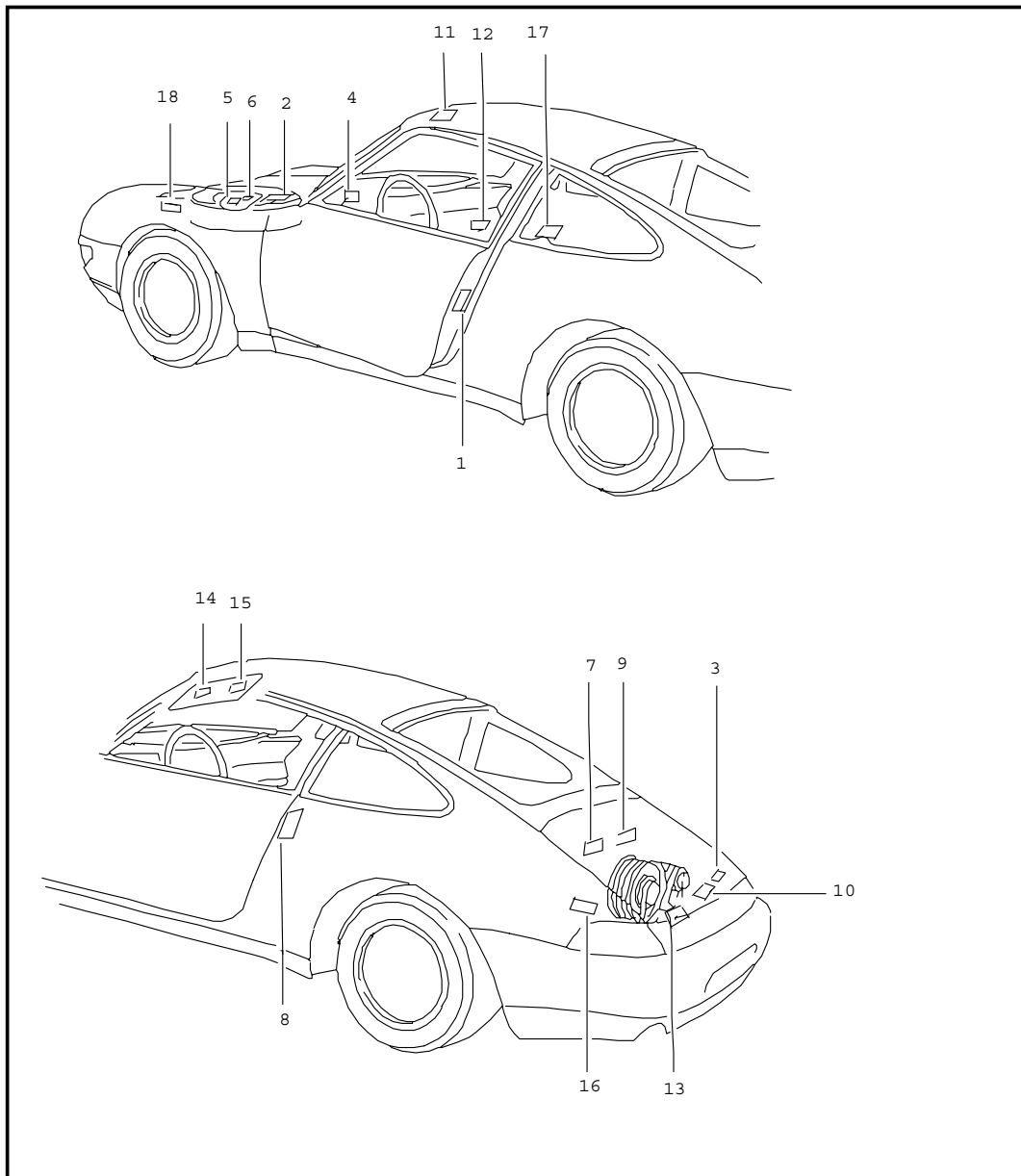


Model	Year	MG	SG	Illustration	Restrictions	Update	17:20	23.08.2006	PORSCHE	PET	PORSCHE
993	98	0	01	1-00		203					



Pos	Part Number	Name	Remarks	Qty	Model
1	993 721 115 01	tool jack		1	
-	-	tool bag with contents comprising:		1	
-	-	angular screw driver		1	
-	-	spark plug wrench		1	
-	-	angular screw driver		1	
-	-	double-end spanner 8 X 10		1	
-	-	double-end spanner 13 X 17		1	
-	911 721 107 02	screw driver set		1	
-	-	universal pliers		1	
-	-	socket wrench		1	
-	999 571 066 02	intermediate piece for emergency control sunroof		1	
-	928 521 907 02	crank for emergency control		1	
-	996 721 151 00	towing lug		1	
-	-	rim wrench		1	
-	-	operating rod for rim wrench		1	
-	-	screw driver		1	
2	000 721 710 01	jack		1	
2	W 000 721 711 01	articulated jack		1	(AUS)
(2)	996 721 211 00	scissors type jack		1	(AUS)
(2)	996 721 211 00	scissors type jack		1	TURBO CARRERA RS
-	000 722 722 02	warning triangle		1	
-	993 722 041 00	first-aid kit		1	
- - - E N D - - -					

Model	Year	MG	SG	Illustration	Restrictions	Update	17:21	23.08.2006	PORSCHE	PET	PORSCHE
993	98	0	01	1-05		203					

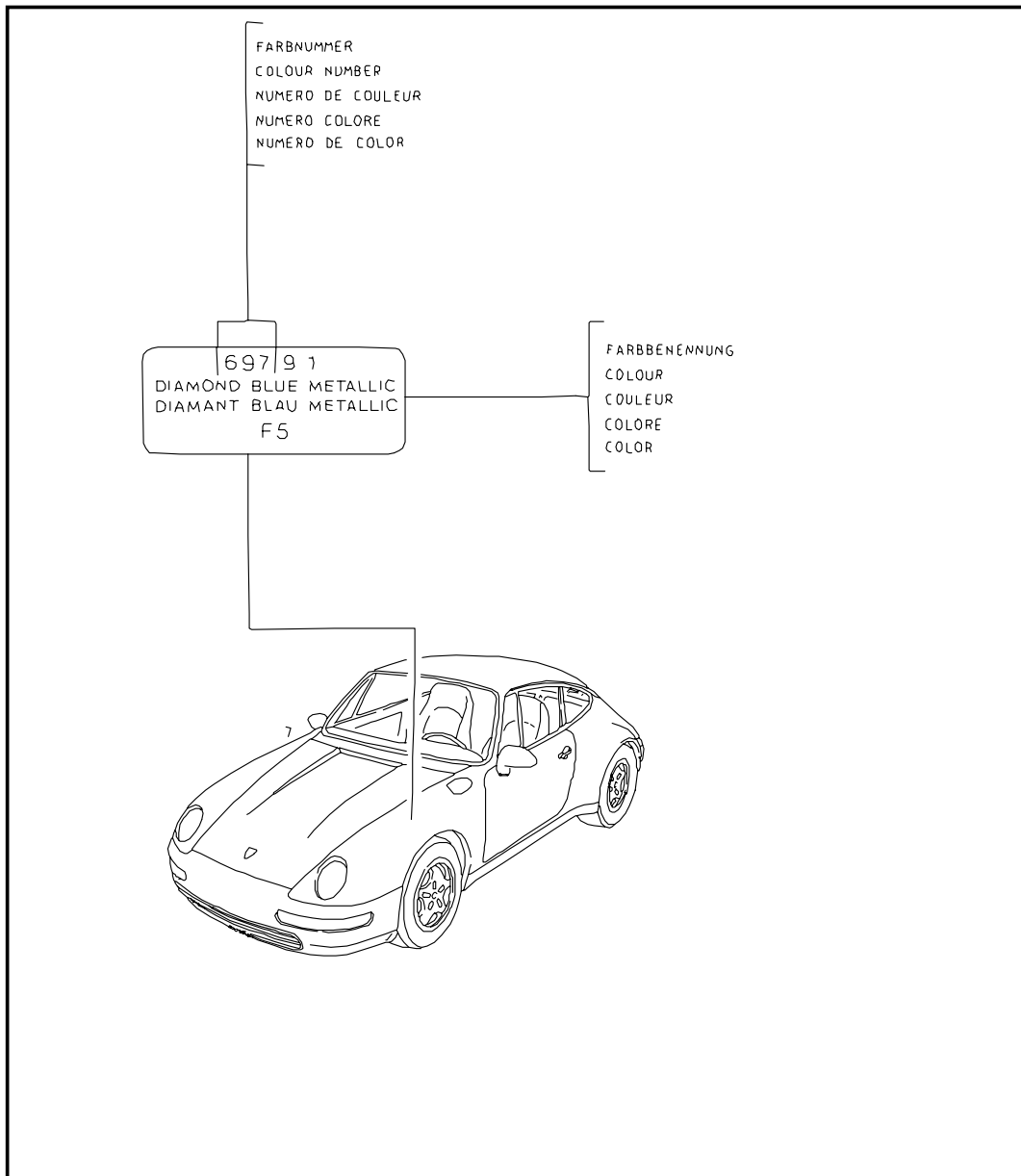


Pos	Part Number	Name	Remarks	Qty	Model
		stickers			
		stickers			
		tyre pressure			
1	993 701 287 00	sticker	-95	1	COUPE/CABRIO
1	993 701 287 00	sticker	96	1	CABRIO/TARGA
1	993 701 287 30	sticker	96- 97-	1	COUPE CABRIO/TARGA
1	993 701 287 02	sticker	-95	1	COUPE/CABRIO (AUS)
1	993 701 287 02	sticker	96	1	CABRIO/TARGA (AUS)
1	993 701 287 16	sticker	96- 97- 97-	1	COUPE (AUS) CABRIO (AUS) TARGA (AUS)
1	993 701 287 07	sticker		1	CARRERA RS
1	993 701 287 11	sticker		1	CARRERA RS (AUS)
1	993 701 287 25	sticker		1	TURBO
1	993 701 287 23	sticker		1	CARRERA 4 S
1	993 701 287 10	sticker		1	TURBO (AUS) CARRERA 4 S (AUS)
1	993 701 287 28	sticker		1	CARRERA S
1	993 701 287 21	sticker	97	1	CARRERA S (AUS)
		stickers			
		emergency wheel			
2	928 701 145 05	sticker german		1	
2	996 361 701 00	sticker english		1	
2	996 361 701 01	sticker french		1	
2	928 701 148 05	sticker italian		1	
2	928 701 149 00	sticker spanish		1	

Model	Year	MG	SG	Illustration	Restrictions	Update	17:21	23.08.2006	PORSCHE	PET	PORSCHE
993	98	0	01	1-05		203					

Pos	Part Number	Name	Remarks	Qty	Model	Pos	Part Number	Name	Remarks	Qty	Model
2	928 701 150 00	sticker "MAX 80 KM/H		1		6	930 701 203 05	sticker 93 RON/MON/2		1	(J)
		stickers engine specifications				7	964 602 544 01	sticker firing order		1	
3	993 006 106 00	sticker		1	(S), (DK), (N) (SF)	10	964 006 111 00	sticker engine-oil level		1	
3	993 006 106 03	sticker		1	CARRERA RS (S), (DK), (N) (SF)			stickers airbag			
3	993 006 107 00	sticker	94	1	(AUS)	12	928 701 421 03	sticker german english		1	
3	993 006 107 02	sticker	95	1	(AUS)						
3	993 006 107 03	sticker	96	1	(AUS)	12	928 701 421 04	sticker french english		1	
3	993 006 107 07	sticker	97	1	(AUS)						
3	993 006 107 10	sticker	98	1	(AUS)	-	993 701 421 02	sticker child car seat	96	1	
3	993 006 107 04	sticker		1	CARRERA RS (AUS)	-	996 701 421 01	sticker child car seat	97-	1	
3	993 006 107 06	sticker	96	1	TURBO (AUS)	13	964 701 141 01	sticker air conditioner		1	(USA), (S)
3	993 006 107 08	sticker	97	1	TURBO (AUS)			stickers folding top control see group 8/09/05			CABRIO
3	993 006 107 11	sticker	98	1	TURBO (AUS)						
3	993 006 108 00	sticker	97	1	M 068						
3	993 006 108 02	sticker	98	1	M 068	16	964 701 163 00	sticker high voltage		1	
4	911 701 253 00	sticker unleaded fuel only english		1		17	911 701 250 00	sticker alarm system		2	
		stickers unleaded fuel only				(17)	993 701 250 00	sticker anti-drive-off feature		2	M 530
5	911 701 251 01	sticker english		1		18	993 701 631 01	sticker high voltage headlamp german english		2	M 601
		stickers type of fuel									
6	928 006 117 24	sticker 96 ROZ		1	(AUS)	18	993 701 631 02	sticker high voltage headlamp english french		2	M 601
6	928 006 117 20	sticker 98 ROZ		1							
6	928 006 117 22	sticker 98 ROZ/RON		1	M 150						

Model	Year	MG	SG	Illustration	Restrictions	Update	17:21	23.08.2006	PORSCHE	PET	PORSCHE
993	98	0	04	4-00		203					



Pos	Part Number	Name	Remarks	Qty	Model
-	911 095 932 20	paint touch-up applicator		X	
	908	grand prix white			
	719	black			
	80K	guards red			
	12G	speed yellow			
	39E	riviera blue			
	39D	amaranth violet			
	3AR	blue turquoise			
	12L	pastel yellow			
	3AT	glacier white			
-	911 095 933 20	paint touch-up applicator set comprising: paint touch-up applicator primer paint touch-up applicator clear lacquer		X	
	746	black-metallic			
	22D	slate grey metallic			
	92E	polar silver metallic			
	37W	midnight blue metallic			
	39N	iris blue metallic			
	39R	aventurine green metallic			
	84R	arena red metallic			
	25C	turquoise metallic			
	3AY	ocean blue metallic			
	3AW	zenith blue metallic			
	25H	ocean jade metallic			
	92T	arctic silver metallic			
	40W	vesuvio grey metallic			
	554	mirage metallic			

Model	Year	MG	SG	Illustration	Restrictions	Update					
993	98	0	04	4-00		203	17:21	23.08.2006	PORSCHE	PET	PORSCHE

Pos	Part Number	Name	Remarks	Qty	Model	Pos	Part Number	Name	Remarks	Qty	Model
		- - - E N D - - -									

Model	Year	MG	SG	Illustration	Restrictions	Update	17:21	23.08.2006
993	98	0	05	5-00		203		

Pos	Part Number	Name	Remarks	Qty	Model
-	928 101 921 00	securing liquid sealing compound preservative agent securing liquid loctite -270- 10 CCM high strength		X	
-	000 043 012 00	loctite -221- 10 CCM low strength		X	
-	000 043 010 00	sealing compound loctite -574- 50 CCM		X	
-	000 043 011 00	loctite -638- 10 CCM for balance shaft		X	
-	000 043 013 00	loctite adhesive remover -80646- spraying can		X	
-	AMV 176 000 05	adhesive sealing compound 310 CCM		1	
-	000 043 051 00	loctite for pasting metal glass ceramics thermoset plastic adhesive set comprising:		X	
-	000 043 051 00	adhesive loctite -317- 50 CCM		X	
-	000 043 202 65	loctite AKTIVATOR NF 736 180 CCM		X	
-	000 043 019 01	sealing compound SILASTIK 730 RTV 90 CCM		X	
-	000 043 004 00	mounting paste optimoly ht 1 90-g tube		X	

Model	Year	MG	SG	Illustration	Restrictions	Update	17:21	23.08.2006
993	98	0	05	5-00		203		

Pos	Part Number	Name	Remarks	Qty	Model
-	000 043 020 00	optimoly mounting paste OPTIMOLY - TA 1 tube 100 g silver		X	
-	000 043 110 01	grease OPTITEMP PU35 1 TUBE 100 G		X	
-	000 043 204 21	grease for lock cylinder spraying can preservative agent		X	
-	999 571 062 00	care kit comprising: suitcase		1	
-	999 901 013 40	liquid preservative		1	
-	999 901 014 41	cleaning agents		1	
-	999 901 015 40	polisher		1	
-	999 901 016 40	tar remover		1	
-	999 901 017 40	dashboard cleaner		1	
-	999 901 018 40	paint polish		1	
-	999 901 019 41	insect remover		1	
-	999 901 020 40	spot remover		1	
-	999 901 021 40	polishing cotton		1	
-	999 901 022 40	polishing cloth		1	
-	000 044 000 02	preservative agent 250 ML		X	
-	999 901 017 41	window cleaner summer 250 ML		X	
-	999 901 033 40	window cleaner winter 1000 ML		X	
-	999 901 036 40	car shampoo refilling bottle 1000 ML		X	
-	999 917 803 00	window cleaner spray bottle 250 ML		X	
-	928 628 931 00	silicone remover 1000 ML		X	

PORSCHE

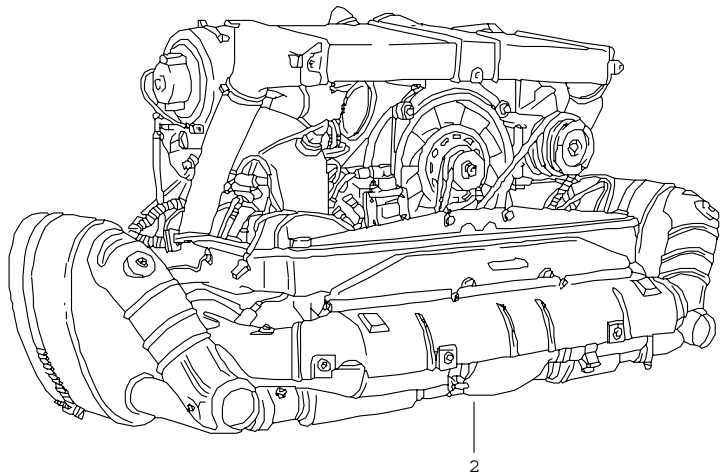
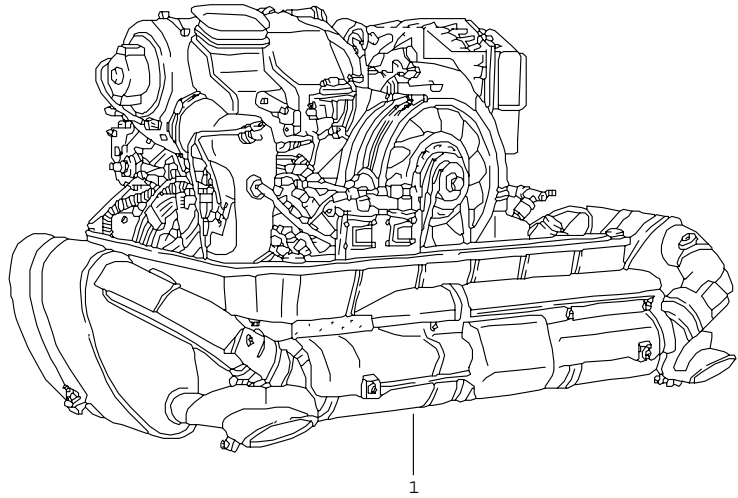
PET

PORSCHE

Model	Year	MG	SG	Illustration	Restrictions	Update		
993	98	0	05	5-00		203	17:21	23.08.2006

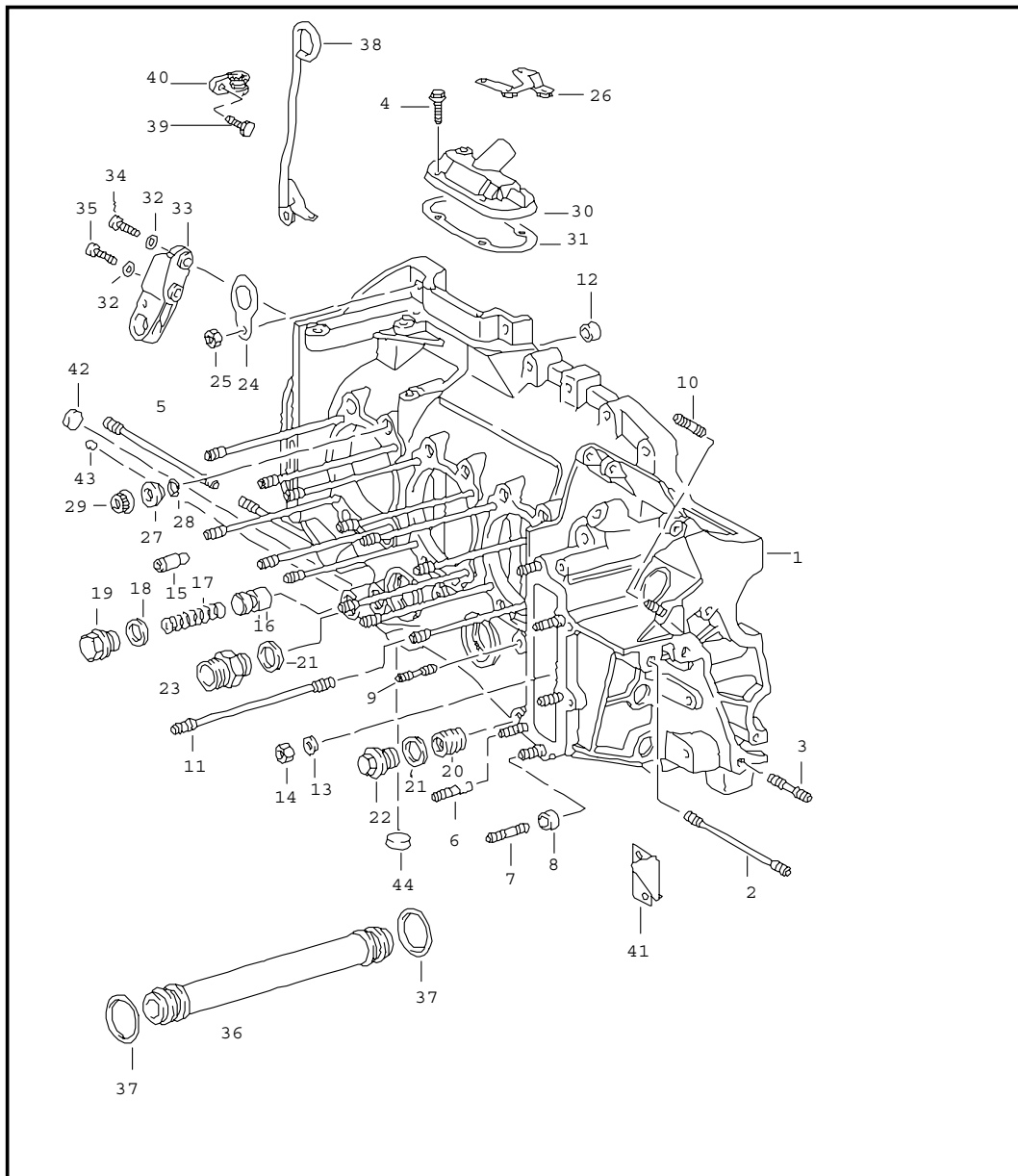
Pos	Part Number	Name	Remarks	Qty	Model
-	999 901 030 40	rim cleaner spray bottle 500 ML		X	
-	999 901 031 40	rim cleaner refilling bottle 1000 ML		X	
- - - E N D - - -					

Model	Year	MG	SG	Illustration	Restrictions	Update	17:21	23.08.2006	PORSCHE	PET	PORSCHE
993	98	1	01	101-00		203					



Pos	Part Number	Name	Remarks	Qty	Model
		replacement engine ready for installation			
1	> 993 100 264 05	replacement engine		1	M64.05
1	> 993 100 264 06	replacement engine		1	M64.06
(1)	> 993 100 964 05	short engine		1	M64.05/06
(1)	> 993 100 964 20	short engine		1	M64.20
(1)	> 993 100 964 21	short engine		1	M64.21/22
(2)	> 993 100 964 60	short engine		1	M64.60
		- - - E N D - - -			

Model	Year	MG	SG	Illustration	Restrictions	Update	17:22	23.08.2006	PORSCHE	PET	PORSCHE
993	98	1	01	101-05		203					

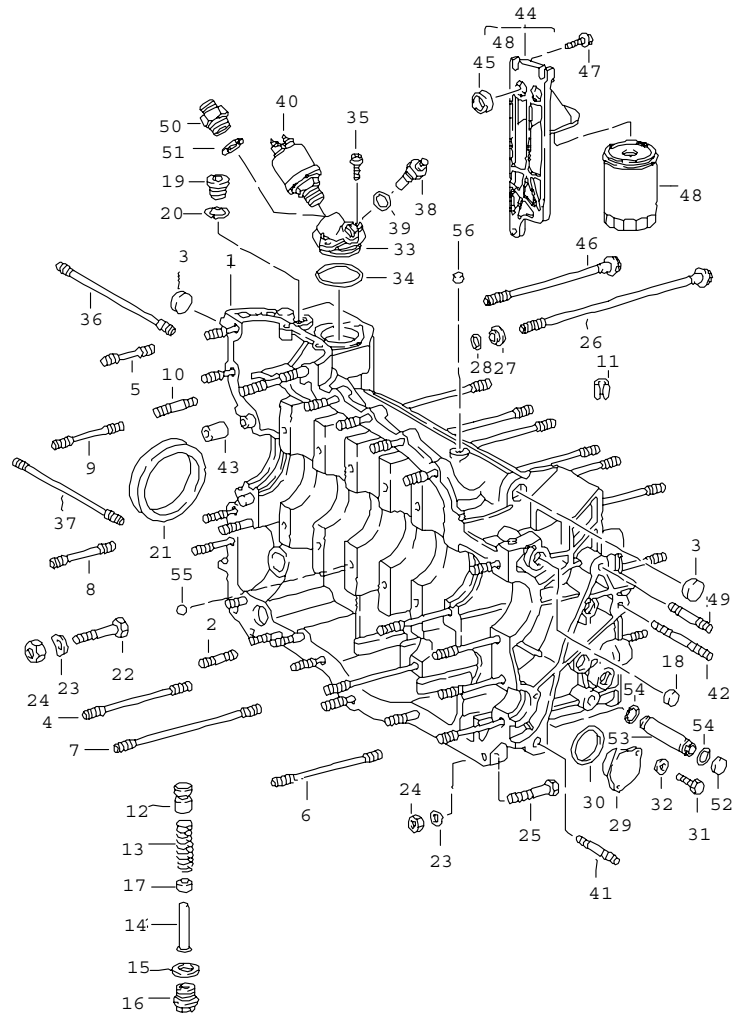


Pos	Part Number	Name	Remarks	Qty	Model
		crankcase left			
		see technical information group 1			
		NR. 4/94			
1	964 101 905 10	crankcase with studs		1	
1	993 101 905 20	crankcase with studs		1	M64.20
2	999 062 283 08	stud BM 10 X 95		1	
3	999 062 316 09	stud BM 10 X 38		1	
3	999 062 056 02	stud BM 10 X 60		1	M64.60
4	900 075 347 02	hexagon-head bolt M 6 X 30		2	
4	900 075 345 02	hexagon-head bolt M 6 X 35		2	
5	999 062 099 02	stud BM 10 X 105		2	
6	999 062 008 02	stud BM 8 X 25		3	
7	999 062 044 02	stud BM 8 X 30		2	
8	901 101 145 00	dowel sleeve		2	
9	999 062 091 02	stud BM 6 X 30		6	
10	999 062 009 02	stud BM 8 X 28		1	
11	993 101 172 02	stud		24	
11	993 101 170 51	stud		24	M64.20/60
12	901 101 195 00	dowel sleeve		2	
13	900 025 008 09	washer A 10,5		1	
14	900 076 078 01	hexagon nut M 10 X 1,25		1	

Model	Year	MG	SG	Illustration	Restrictions	Update	17:22	23.08.2006	PORSCHE	PET	PORSCHE
993	98	1	01	101-05		203					

Pos	Part Number	Name	Remarks	Qty	Model	Pos	Part Number	Name	Remarks	Qty	Model
15	964 101 020 00	splash valve 22,5 MM		6		31	930 107 791 02	gasket		1	
15	993 101 018 51	splash valve 33,5 MM		6		32	N 011 524 7	washer A 6,4		2	
15	964 101 020 50	splash valve 22,5 MM oversize		6		33	964 101 187 01	support		1	
15	993 101 018 60	splash valve 33,5 MM oversize		6		34	900 075 341 02	screw M 6 X 25		1	
16	911 107 512 00	piston		1		35	900 075 345 02	screw M 6 X 35		1	
17	901 107 531 00	compression spring		1		36	901 107 351 01	oil tube		4	
18	900 123 106 30	sealing ring A 18 X 24		1		(36)	930 107 040 01	repair kit oil tube divided		1	
19	999 064 026 02	screw plug M 18 X 1,5		1		37	999 707 112 40	round seal 25 X 6		8	
20	999 504 127 00	threaded insert M 20 X 1,5		1		38	993 101 151 50	holder		1	M64.60
21	900 123 118 30	sealing ring A 22 X 27		1		39	900 075 355 02	hexagon-head bolt M 6 X 16		1	M64.60
21	900 123 011 30	sealing ring A 22 X 27	96-	1		40	999 511 153 02	clamp 8 X 15		1	M64.60
22	944 107 197 01	screw plug M 20 X 1,5		1		41	993 126 130 51	cover plate		1	M64.60
23	999 136 008 09	union 18	-95	1		42	911 101 182 00	plug 13,00 X 8,5		1	
23	999 136 044 09	union M 22 X 1,5	96-	1		42	911 101 182 01	plug oversize 14,00 X 8,5		1	
24	901 101 151 00	clip		1	M64.05/06 M64.07/08/20	43	911 101 186 00	plug 7,5 X 8		1	
25	999 084 095 02	lock nut M 8		1		43	911 101 186 01	plug oversize 8,5 X 8		1	
26	964 110 313 02	support		1		44	911 101 184 00	plug 19,00 X 13		1	
27	964 101 313 02	washer		15		44	911 101 184 01	plug oversize 20,00 X 13		1	
28	999 701 006 40	o-ring 8 X 2		15				- - - E N D - - -			
29	959 101 172 00	nut		11							
30	901 107 073 02	cover		1							

Model	Year	MG	SG	Illustration	Restrictions	Update	17:22	23.08.2006	PORSCHE	PET	PORSCHE
993	98	1	01	101-10		203					



Pos	Part Number	Name	Remarks	Qty	Model
		crankcase right			
		see technical information group 1			
		NR. 4/94			
1	964 101 905 10	crankcase with studs		1	
1	993 101 905 20	crankcase with studs		1	M64.20
2	999 062 007 02	stud BM 8 X 22		3	
3	911 101 185 00	cover 22,00 X 9		2	
4	996 101 175 70	stud	-97	1	
4	996 101 175 70	stud	98-	1	
5	999 062 115 02	stud BM 8 X 32		13	
6	999 062 156 02	stud BM 8 X 78		3	
7	999 062 051 02	stud BM 8 X 108		1	
8	999 062 075 02	stud BM 8 X 48		2	
9	999 062 138 02	stud BM 8 X 52		1	
10	999 062 009 02	stud BM 8 X 28		1	
11	900 095 025 01	roll pin 8 X 16		1	
12	911 107 512 00	piston		1	
13	930 107 531 01	compression spring		1	
14	930 107 533 00	guide sleeve		1	
15	900 123 106 30	sealing ring A 18 X 24		1	
16	999 064 026 02	screw plug M 18 X 1,5		1	
17	964 107 532 00	spacer ring		1	

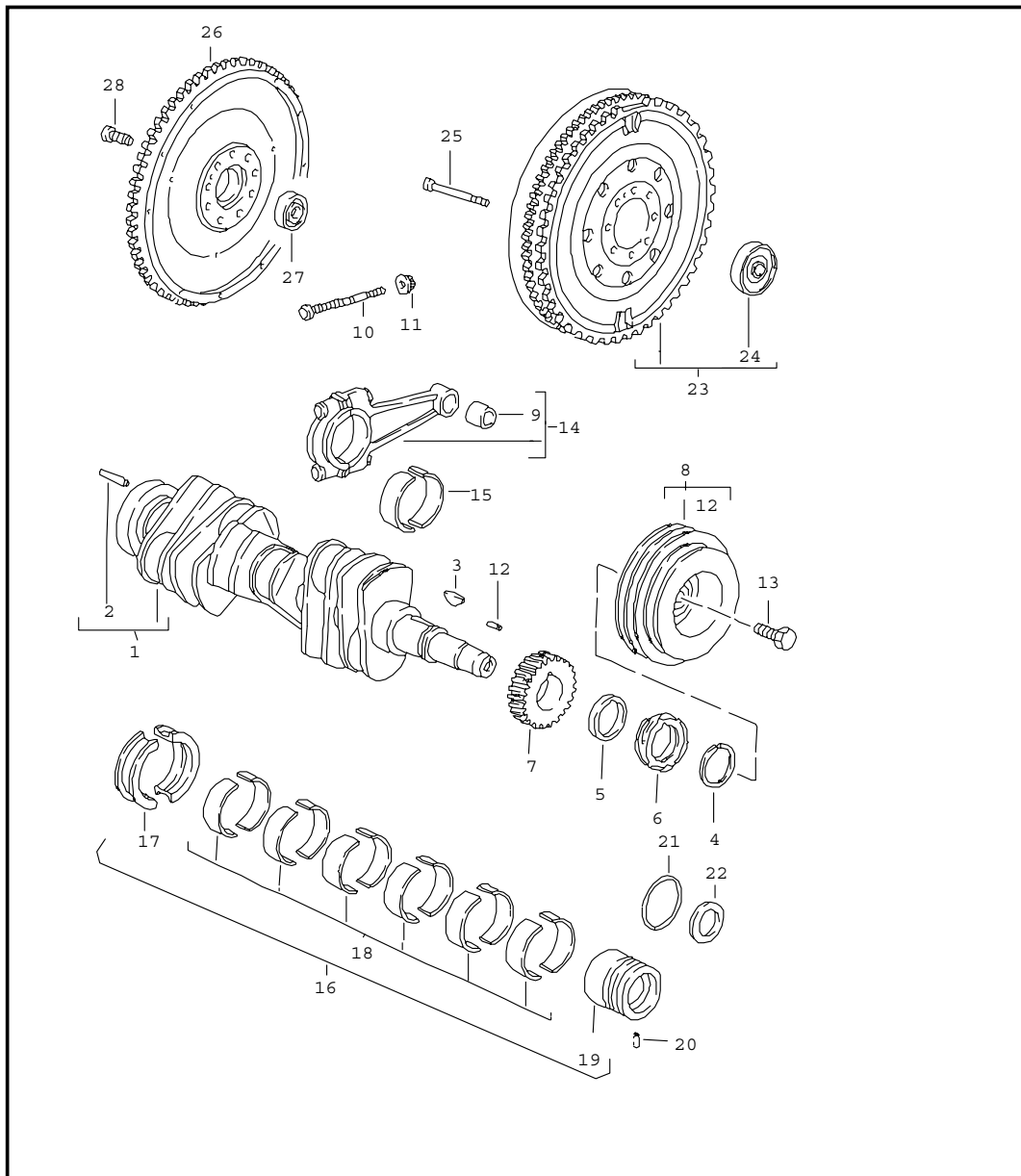
Model	Year	MG	SG	Illustration	Restrictions	Update	17:22	23.08.2006	PORSCHE	PET	PORSCHE
993	98	1	01	101-10		203					

Pos	Part Number	Name	Remarks	Qty	Model	Pos	Part Number	Name	Remarks	Qty	Model
18	911 101 182 00	plug 13,00 X 8,5		1		37	999 062 099 02	stud BM 10 X 105		1	
18	911 101 182 01	plug oversize 14,00 X 8,5		1		38	911 606 112 00	remote temperature sensor		1	
19	900 219 009 30	screw plug M 18 X 1,5		1		39	900 123 007 30	sealing ring A 14 X 18		1	
20	900 123 140 30	sealing ring A 18 X 22		1		40	928 606 203 01	oil pressure sender		1	
21	999 113 426 41	radial sealing ring 90 X 110 X 12		1		41	999 062 056 02	stud BM 10 X 60		1	M64.60
22	900 074 139 02	hexagon-head bolt M 8 X 55		1		42	999 062 283 08	stud M 10 X 95		1	
23	900 031 001 02	washer 8,4		26		43	901 101 195 00	dowel sleeve		2	
24	999 084 095 02	lock nut M 8		23		44	993 107 057 00	bracket		1	
25	900 074 134 02	hexagon-head bolt M 8 X 45		1		45	999 704 172 50	sealing ring 16,3 X 22		2	
26	959 101 173 01	screw		11		46	964 101 174 00	screw		2	
27	964 101 313 02	washer		13		47	900 075 447 02	screw M 8 X 25		3	
28	999 701 006 40	o-ring 8 X 2		13		48	993 107 203 00	oil filter	-94	1	
29	930 105 165 00	cover		1		48	993 107 203 03	oil filter	95-	1	
30	999 707 315 40	round seal 33,3 X 2,4		1		49	999 062 316 09	stud BM 10 X 38		1	M64.60
31	900 075 355 02	screw M 6 X 16		2		50	900 283 005 02	connection piece A 10 - M 18 X 1,5		1	M64.60
32	N 011 524 7	washer A 6,4		4		51	900 123 106 30	sealing ring A 18 X 24		1	M64.60
33	993 101 768 01	cover		1		52	911 101 184 00	plug 19,00 X 13		1	
34	999 707 314 40	o-ring 39,2 X 3		1		53	993 107 216 51	connecting piece		1	M64.60
35	900 075 221 02	screw M 6 X 18		2		54	999 707 320 40	o-ring 15 X 2		2	M64.60
36	999 062 225 02	stud BM 10 X 140		1		55	999 707 305 40	o-ring 8,2 X 2,8		4	
						56	911 101 186 00	plug 7,5 X 8		1	

Model	Year	MG	SG	Illustration	Restrictions	Update					
993	98	1	01	101-10		203	17:22	23.08.2006	PORSCHE	PET	PORSCHE

Pos	Part Number	Name	Remarks	Qty	Model	Pos	Part Number	Name	Remarks	Qty	Model
		- - - E N D - - -									

Model	Year	MG	SG	Illustration	Restrictions	Update	17:22	23.08.2006	PORSCHE	PET	PORSCHE
993	98	1	02	102-00		203					



Pos	Part Number	Name	Remarks	Qty	Model
		crankshaft			
1	> 993 102 021 01	crankshaft	-94	1	
1	> 993 102 021 02	crankshaft	95-	1	
2	900 095 031 00	tensioning sleeve 6 X 16		1	
3	901 102 147 00	woodruff key		1	
4	901 102 148 00	circlip number 0		1	
4	901 102 148 01	circlip number 1		1	
4	901 102 148 02	circlip number 2		1	
4	901 102 148 03	circlip number 3		1	
5	901 102 145 00	intermediate ring		1	
6	930 102 112 00	drive wheel		1	
7	-	see group 1/03/15		.	
8	993 102 050 01	pulley		1	
(8)	993 102 050 40	pulley		1	M64.20
(8)	993 102 050 41	pulley		1	M64.20 M573
9	993 103 134 01	connecting rod bush		6	
10	A 993 103 176 04	connecting rod bolt		12	
10	A 993 103 176 05	connecting rod bolt		12	
10	996 103 176 70	connecting rod bolt		12	
11	993 103 174 02	connecting rod nut		12	
12	N 101 090 01	straight pin 5 M 6 X 14		1	
13	999 217 128 01	hexagon-head bolt M 14 X 1,5 X 33		1	
		connecting rods	-94		
14	A 993 103 020 50	connecting rod weight group: 1=508 - 514 G		6	

Model	Year	MG	SG	Illustration	Restrictions	Update	17:22	23.08.2006	PORSCHE	PET	PORSCHE
993	98	1	02	102-00		203					

Pos	Part Number	Name	Remarks	Qty	Model	Pos	Part Number	Name	Remarks	Qty	Model
14	A 993 103 020 51	connecting rod weight group: 2=514 - 520 G		6		>>>	993 103 975 00	connecting rod connecting rods comprising: connecting rods	-94	1	
14	A 993 103 020 52	connecting rod weight group: 3=520 - 526 G		6		>>>	993 103 975 01	1 set connecting rods comprising: connecting rods	95-	1	
14	A 993 103 020 53	connecting rod weight group: 4=526 - 532 G		6		15	993 103 147 15	connecting-rod bearing		6	
14	A 993 103 020 54	connecting rod weight group: 5=532 - 538 G		6		15	993 103 147 53	connecting-rod bearing oversize 0,25 MM		12	
14	A 993 103 020 55	connecting rod weight group: 6=538 - 544 G		6		15	993 103 147 63	connecting-rod bearing oversize 0,50 MM		12	
14	A 993 103 020 56	connecting rod weight group: 7=544 - 550 G connecting rods M 63S 05848 >> M 63S 52685 >> M 64S 04238 >> M 64S 51181 >> M 63S 85654 >> M 61T 00932 >>		6		16	964 101 901 00	set of crankshaft bearings		1	
						16	964 101 901 51	set of crankshaft bearings oversize inner 0,25 MM		1	
						16	964 101 901 56	set of crankshaft bearings oversize inner 0,50 MM		1	
14	993 103 020 64	connecting rod weight group: 1=534 - 540 G		6		16	964 101 901 61	set of crankshaft bearings oversize outer 0,25 MM		1	
14	993 103 020 65	connecting rod weight group: 2=540 - 546 G		6		16	964 101 901 71	set of crankshaft bearings oversize inner 0,25 MM oversize outer 0,25 MM		1	
14	993 103 020 66	connecting rod weight group: 3=546 - 552 G		6							
14	993 103 020 67	connecting rod weight group: 4=552 - 558 G		6		16	964 101 901 76	set of crankshaft bearings oversize inner 0,50 MM oversize outer 0,25 MM		1	
14	993 103 020 68	connecting rod weight group: 5=558 - 564 G		6							
14	993 103 020 69	connecting rod weight group: 6=564 - 570 G		6		17	930 101 131 15	bearing shell I		2	

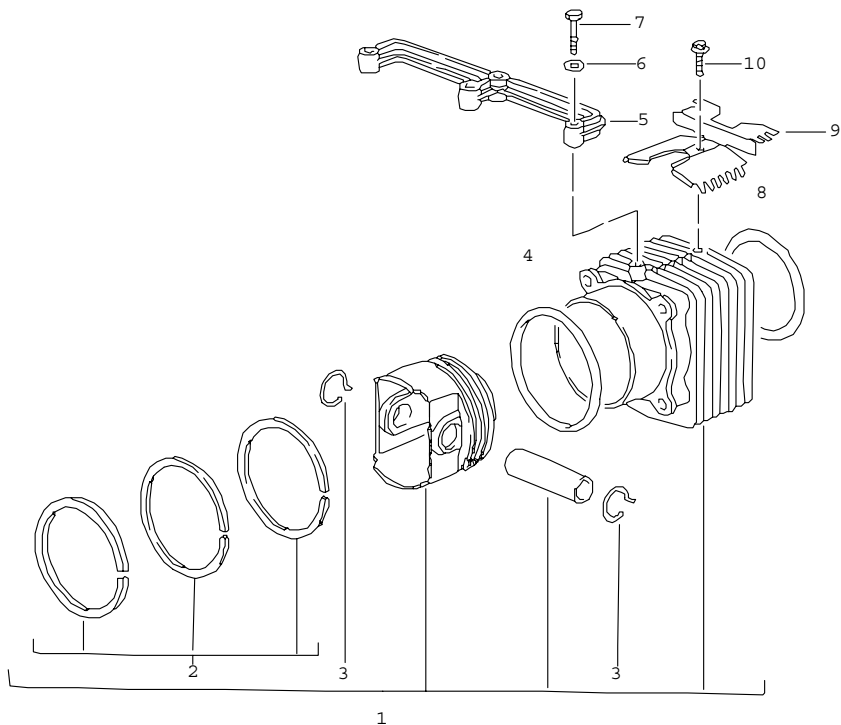
Model	Year	MG	SG	Illustration	Restrictions	Update	17:22	23.08.2006	PORSCHE	PET	PORSCHE
993	98	1	02	102-00		203					

Pos	Part Number	Name	Remarks	Qty	Model	Pos	Part Number	Name	Remarks	Qty	Model
17	930 101 131 51	bearing shell I oversize inner 0,25 MM		2		18	930 101 132 71	bearing shell II-VII oversize inner 0,25 MM outer 0,25 MM		12	
17	930 101 131 56	bearing shell I oversize inner 0,50 MM		2		18	930 101 132 76	bearing shell II-VII oversize inner 0,50 MM outer 0,25 MM		12	
17	930 101 131 61	bearing shell I oversize outer 0,25 MM		2		19	964 101 138 01	bearing sleeve VIII		1	
17	930 101 131 71	bearing shell I oversize inner 0,25 MM outer 0,25 MM		2		19	964 101 138 54	bearing sleeve VIII oversize inner 0,25 MM		1	
17	930 101 131 76	bearing shell I oversize inner 0,50 MM outer 0,25 MM		2		19	964 101 138 55	bearing sleeve VIII oversize inner 0,50 MM		1	
18	930 101 132 15	bearing shell II-VII		12		19	964 101 138 65	bearing sleeve VIII oversize outer 0,25 MM		1	
18	930 101 132 51	bearing shell II-VII oversize inner 0,25 MM		12		19	964 101 138 66	bearing sleeve VIII oversize inner 0,25 MM outer 0,25 MM		1	
18	930 101 132 56	bearing shell II-VII oversize inner 0,50 MM		12		19	964 101 138 67	bearing sleeve VIII oversize inner 0,50 MM outer 0,25 MM		1	
18	930 101 132 61	bearing shell II-VII oversize outer 0,25 MM		12		20	900 012 061 00	straight pin 5 H 8 X 10		1	
						21	999 707 285 40	round seal 51 X 4,5		1	

Model	Year	MG	SG	Illustration	Restrictions	Update	17:22	23.08.2006	PORSCHE	PET	PORSCHE
993	98	1	02	102-00		203					

Pos	Part Number	Name	Remarks	Qty	Model	Pos	Part Number	Name	Remarks	Qty	Model
22	999 113 290 41	radial sealing ring 30 X 50 X 10		1							
23	964 114 012 02	double-mass flywheel		1	M64.05/07/20 M64.21/23						
23	996 114 012 50	double-mass flywheel		1	M64.60						
24	999 052 169 00	deep-groove ball bearing 15 X 50 X 11		1							
25	999 119 017 01	pan-head screw M 10 X 1,25 X 62		9							
(26)	964 102 239 31	flywheel		1	M64.20 M003						
--	964 114 143 31	ring gear		1	M64.20 M003						
27	931 102 111 00	deep-groove ball bearing		1	M64.20 M003						
28	928 102 151 01	pan-head screw		9	M64.20 M003						
		- - - E N D - - -									

Model	Year	MG	SG	Illustration	Restrictions	Update	17:22	23.08.2006	PORSCHE	PET	PORSCHE
993	98	1	02	102-05		203					



Pos	Part Number	Name	Remarks	Qty	Model
		cylinder with pistons group 5 MAHLE			
1	993 103 915 11	cylinder with pistons see workshop manual GR.13 / 13-23 number plate -- / - 606 - 614 G M >> 63R 00564 M >> 63R 50502		6	M64.05/06 M64.05 M64.06
1	993 103 915 21	cylinder with pistons number plate -- / - 592 - 600 G M 63R 00565 >> M 63R 50503 >>		6	M64.05/06 M64.07/08 M64.05 M64.06
1 A	993 103 915 42	cylinder with pistons number plate -- / - 622 - 630 G		6	M64.20
1 A	993 103 915 45	cylinder with pistons number plate -- / - 614 - 622 G		6	M64.20
1 A	993 103 915 26	cylinder with pistons number plate -- / - 596 - 604 G	-96	6	M64.21/22 M64.23/24
1	993 103 915 31	cylinder with pistons number plate -- / - 596 - 604 G	97-	6	M64.21/22 M64.23/24
1 A	993 103 915 51	cylinder with pistons number plate -- / - 576 - 584 G	-96	6	M64.60
1	993 103 915 56	cylinder with pistons number plate -- / - 576 - 584 G	97-	6	M64.60

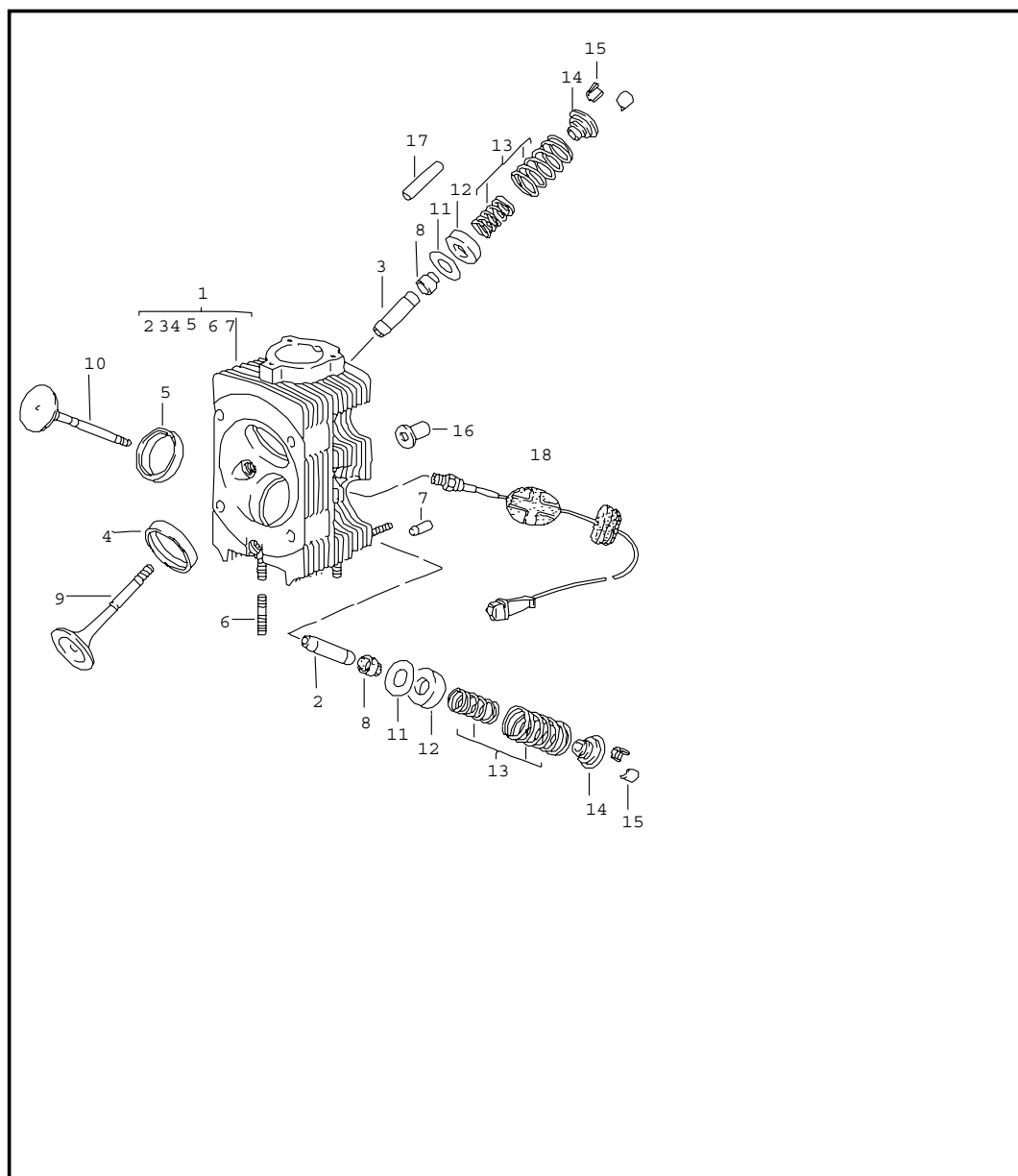
Model	Year	MG	SG	Illustration	Restrictions	Update	17:22	23.08.2006	PORSCHE	PET	PORSCHE
993	98	1	02	102-05		203					

Pos	Part Number	Name	Remarks	Qty	Model	Pos	Part Number	Name	Remarks	Qty	Model
1	993 103 915 12	cylinder with pistons see workshop manual GR. 13 / 13-23 number plate + / ++ 614 - 622 G M >> 63R 00564 M >> 63R 50502		6	M64.05/06	1	993 103 915 23	cylinder with pistons number plate -- / - 592 - 600 G M 63R 00565 >> M 63R 50503 >>		6	M64.05/06 M64.07/08 M64.05 M64.06
1	993 103 915 22	cylinder with pistons number plate + / ++ 600 - 608 G M 63R 00565 >> M 63R 50503 >>		6	M64.05/06 M64.07/08	1 A	993 103 915 48	cylinder with pistons number plate -- / - 622 - 630 G		6	M64.20
1	993 103 915 46	cylinder with pistons number plate + / ++ 622 - 630 G		6	M64.20	1	993 103 915 47	cylinder with pistons number plate -- / - 614 - 622 G		6	M64.20
1 A	993 103 915 27	cylinder with pistons number plate + / ++ 604 - 612 G	-96	6	M64.21/22 M64.23/24	1 A	993 103 915 28	cylinder with pistons number plate -- / - 596 - 604 G	-96	6	M64.21/22 M64.23/24
1	993 103 915 32	cylinder with pistons number plate + / ++ 604 - 612 G	97-	6	M64.21/22 M64.23/24	1	993 103 915 33	cylinder with pistons number plate -- / - 596 - 604 G	97-	6	M64.21/22 M64.23/24
1 A	993 103 915 52	cylinder with pistons number plate + / ++ 584 - 592 G	-96	6	M64.60	1 A	993 103 915 53	cylinder with pistons number plate -- / - 576 - 584 G	-96	6	M64.60
1	993 103 915 57	cylinder with pistons number plate + / ++ 584 - 592 G group 6 MAHLE	97-	6	M64.60	1	993 103 915 58	cylinder with pistons number plate -- / - 576 - 584 G	97-	6	M64.60
1	993 103 915 13	cylinder with pistons see workshop manual GR.13 / 13-23 number plate -- / - 606 - 614 G M >> 63R 00564 M >> 63R 50502		6	M64.05/06	1	993 103 915 14	cylinder with pistons see workshop manual GR. 13 / 13-23 number plate + / ++ 614 - 622 G M >> 63R 00564 M >> 63R 50502		6	M64.05/06 M64.07/08 M64.05 M64.06
1	993 103 915 24	cylinder with pistons number plate + / ++ 600 - 608 G M 63R 00565 >> M 63R 50503 >>		6	M64.05/06 M64.07/08	1	993 103 915 24	cylinder with pistons number plate + / ++ 600 - 608 G M 63R 00565 >> M 63R 50503 >>		6	M64.05/06 M64.07/08 M64.05 M64.06
						1	993 103 915 48	cylinder with pistons number plate + / ++ 622 - 630 G		6	M64.20

Model	Year	MG	SG	Illustration	Restrictions	Update					
993	98	1	02	102-05		203	17:22	23.08.2006	PORSCHE	PET	PORSCHE

Pos	Part Number	Name	Remarks	Qty	Model	Pos	Part Number	Name	Remarks	Qty	Model
1	A 993 103 915 29	cylinder with pistons number plate + / ++ 604 - 612 G	-96	6	M64.21/22 M64.23/24	7	900 074 015 02	hexagon-head bolt M 6 X 30		6	
1	993 103 915 34	cylinder with pistons number plate + / ++ 604 - 612 G	97-	6	M64.21/22 M64.23/24	8	964 104 115 20	cylinder head gasket		6	
1	A 993 103 915 54	cylinder with pistons number plate + / ++ 584 - 592 G	-96	6	M64.60	9	993 106 257 51	air duct		6	M64.60
1	993 103 915 59	cylinder with pistons number plate + / ++ 584 - 592 G piston rings MAHLE	97-	6	M64.60	10	900 075 363 02	screw M 6 X 10		6	M64.60
2	A 993 103 925 00	set of piston rings		6	M64.05/06 M64.07/08			- - - E N D - - -			
2	A 993 103 925 03	set of piston rings	-95	6	M64.05/06 M64.07/08						
2	A 993 103 925 05	set of piston rings	-96	6	M64.21/22 M64.23/24						
2	993 103 925 06	set of piston rings	97-	6	M64.21/22 M64.23/24						
2	993 103 925 40	set of piston rings		6	M64.20						
2	A 993 103 925 50	set of piston rings	-96	6	M64.60						
2	993 103 925 51	set of piston rings	97-	6	M64.60						
3	999 178 016 00	snap ring 23 X 1,6		12							
4	999 707 152 40	o-ring 102 X 2		6							
(4)	A 999 705 022 40	sealing ring 110,72 X 3,53		6	M64.20						
(4)	999 705 023 41	sealing ring 110,72 X 3,53		6	M64.20						
5	993 104 391 00	bridge		2							
6	N 011 524 7	washer A 6,4		6							

Model	Year	MG	SG	Illustration	Restrictions	Update	17:23	23.08.2006	PORSCHE	PET	PORSCHE
993	98	1	03	103-00		203					

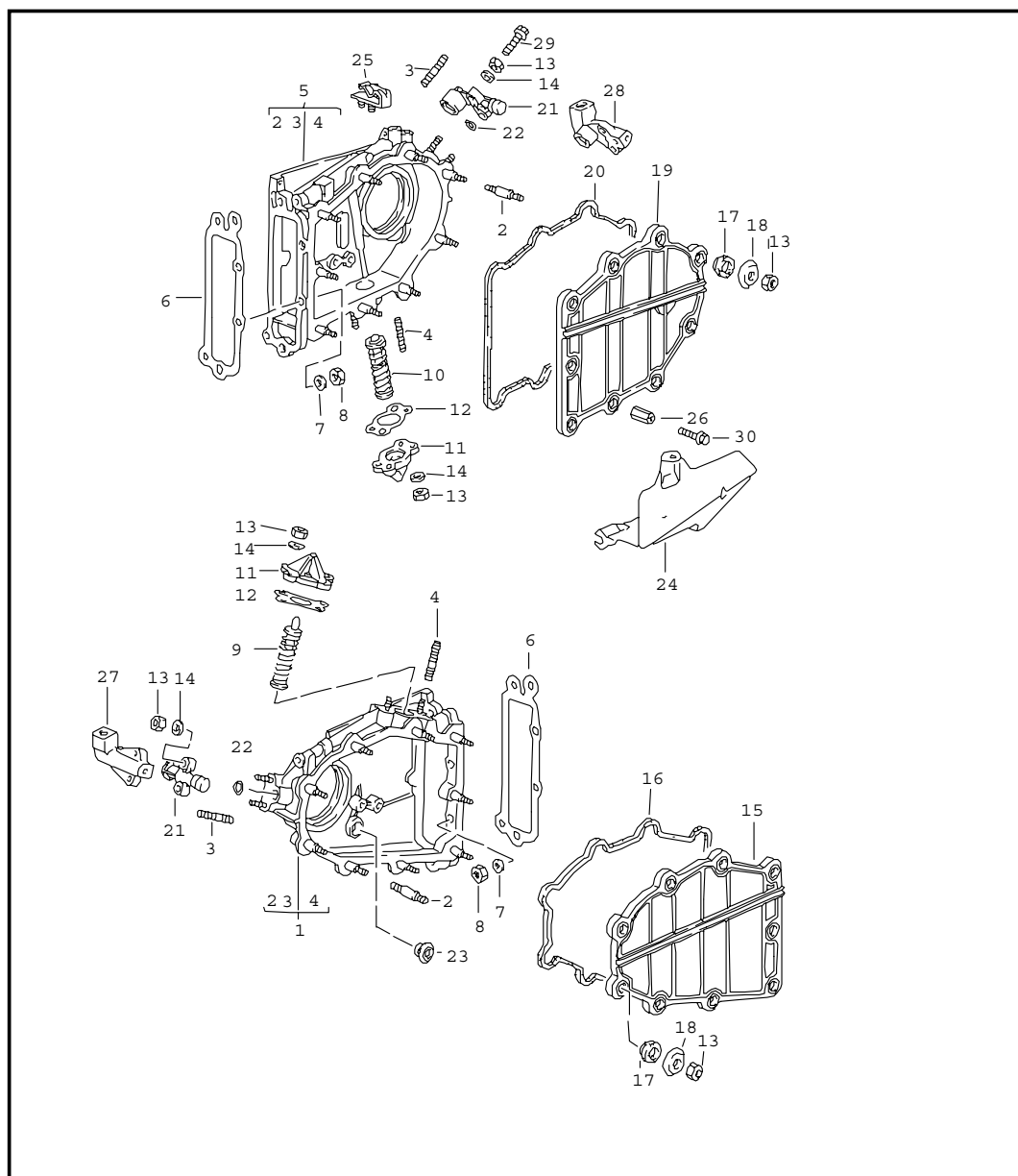


Pos	Part Number	Name	Remarks	Qty	Model
		cylinder head			
1	993 104 033 01	cylinder head without valves		6	M64.05/06
1	993 104 035 06	cylinder head without valves		6	M64.21/22
1	993 104 035 44	cylinder head without valves		6	M64.20
1	993 104 033 52	cylinder head without valves		6	M64.60
2	993 104 321 70	valve guide 1st oversize exhaust	-96	6	
2	993 104 321 71	valve guide 1st oversize exhaust		6	
2	993 104 321 60	valve guide 1st oversize exhaust	-96	6	M64.60
2	993 104 321 61	valve guide 1st oversize exhaust		6	M64.60
3	993 104 322 71	valve guide 1st oversize intake		6	
4	930 104 331 50	valve seat ring intake oversize		6	
4	964 104 331 85	valve seat ring intake oversize		6	M64.20
5	930 104 335 56	valve seat ring exhaust oversize		6	
5	964 104 335 85	valve seat ring exhaust oversize		6	M64.20
6	999 062 007 02	stud BM 8 X 22		12	
7	999 012 006 00	straight pin		12	
8	993 104 111 01	valve stem seal		12	

Model	Year	MG	SG	Illustration	Restrictions	Update	17:23	23.08.2006	PORSCHE	PET	PORSCHE
993	98	1	03	103-00		203					

Pos	Part Number	Name	Remarks	Qty	Model	Pos	Part Number	Name	Remarks	Qty	Model
9	993 105 409 02	intake valve		6	M64.05/06 M64.07/08/60						
9	993 105 405 02	intake valve		6	M64.21/22 M64.23/24						
9	993 105 409 42	intake valve		6	M64.20						
10	993 105 419 01	exhaust valve		6	M64.05/06 M64.07/08						
10	993 105 419 06	exhaust valve		6	M64.21/22 M64.23/24						
10	993 105 419 43	exhaust valve		6	M64.20						
10	993 105 419 52	exhaust valve		6	M64.60						
11	930 105 461 00	washer 0,5MM		12							
11	964 105 461 01	washer 0,25MM		12							
12	993 105 463 02	ring		12							
13	993 105 901 51	set of valve springs		12							
14	993 105 421 00	concave washer		12							
15	993 105 417 00	collet		24							
16	964 104 382 01	cylinder head nut		24	M64.05/06 M64.07/08						
16	993 104 382 53	cylinder head nut		24	M64.20 M64.21/22 M64.23/24 M64.60						
17	000 043 204 47	sleeve for valve stem seal		1							
18	993 606 013 00	temperature sensor see workshop manual 993 GR.97-013 when required order also:		1							
-	999 650 157 40	plug socket		1							
-	999 652 871 22	connector		2							
-	999 704 161 40	gasket		2							
-	999 652 811 40	plug		1							
		- - - E N D - - -									

Model	Year	MG	SG	Illustration	Restrictions	Update	17:23	23.08.2006	PORSCHE	PET	PORSCHE
993	98	1	03	103-05		203					

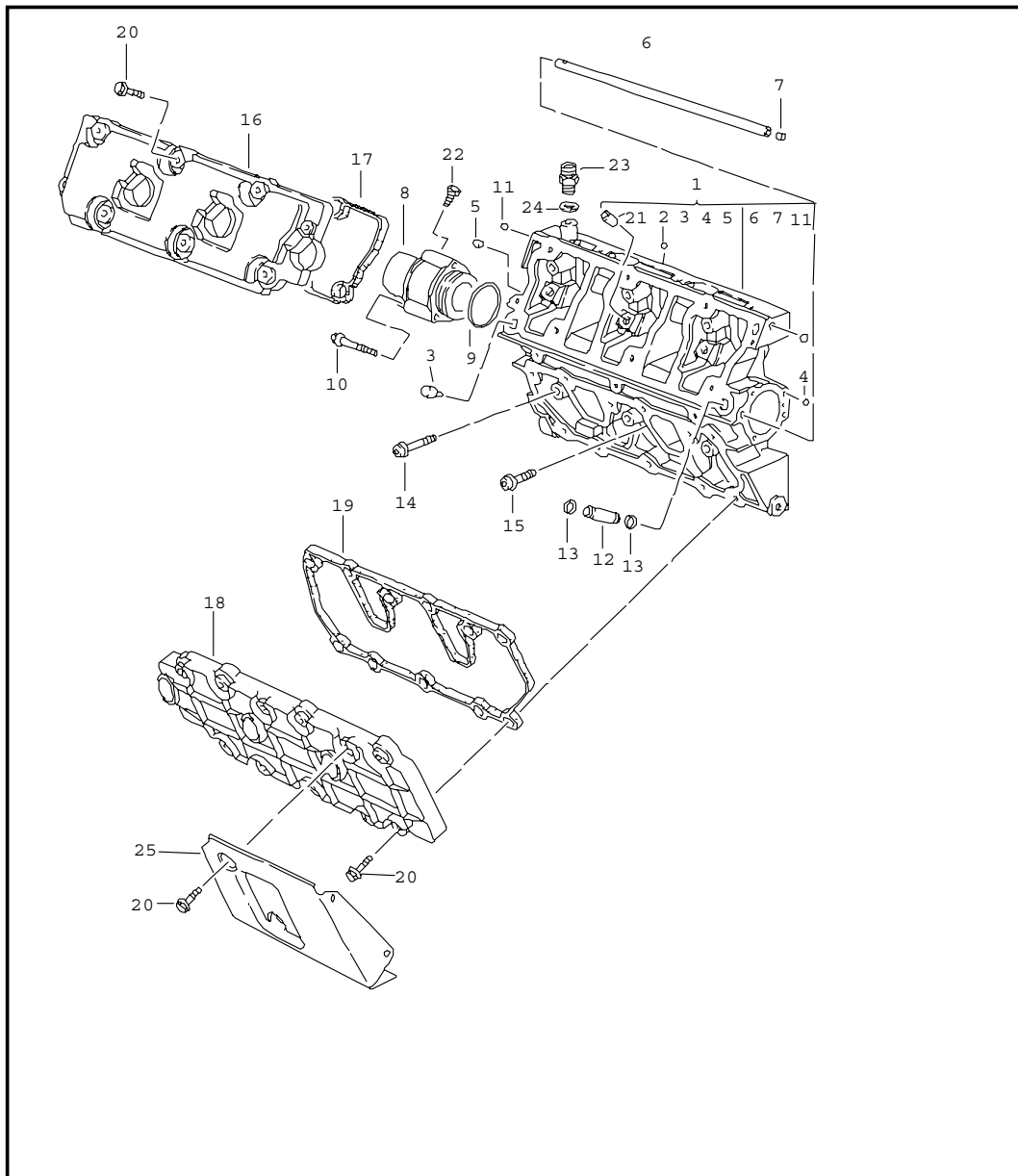


Pos	Part Number	Name	Remarks	Qty	Model
		chain case chain adjuster			
1	993 105 093 05	chain case	/L	1	
2	964 105 583 01	bolt		18	
3	999 062 102 02	stud BM 6 X 22		4	
4	999 062 017 02	stud BM 6 X 18		4	
5	964 105 094 04	chain case	/R	1	
6	993 105 193 00	gasket		2	
7	999 025 194 30	washer 8,4 X 18 X 3		10	
8	999 084 095 02	lock nut M 8		10	
9	964 105 079 00	chain adjuster	/L	1	
10	964 105 080 00	chain adjuster	/R	1	
11	993 105 022 01	cover		2	
12	964 105 177 03	gasket		2	
13	999 084 094 02	lock nut M 6		26	
14	999 025 193 30	washer 6,4 X 14 X 3		8	
14	N 011 524 7	washer A 6,4		8	M64.20
15	964 105 107 01	cover	/L	1	
16	964 105 181 01	gasket	/L	1	
17	964 105 140 01	rubber seal		18	
18	964 105 445 00	thrust washer		18	
19	964 105 108 01	cover	/R	1	
20	964 105 181 01	gasket	/R	1	
21	993 107 088 00	bridge		2	
22	999 707 288 40	o-ring 6 X 2,5		2	
23	964 105 110 01	bearing		4	

Model	Year	MG	SG	Illustration	Restrictions	Update	17:23	23.08.2006	PORSCHE	PET	PORSCHE
993	98	1	03	103-05		203					

Pos	Part Number	Name	Remarks	Qty	Model	Pos	Part Number	Name	Remarks	Qty	Model
24	993 106 253 06	heat protection plate		1							
25	993 606 225 00	support		1							
26	993 107 243 50	spacer		2	M64.60						
27	993 107 087 51	bridge	/L	1	M64.60						
28	993 107 088 52	bridge	/R	1	M64.60						
29	999 218 099 02	screw M 6 X 25		4	M64.20/21/22 M64.23/24						
29	999 217 138 02	screw M 6 X 22		4	M64.60						
30	N 010 215 13	hexagon-head bolt M 6 X 15		2	M64.60						
		- - - E N D - - -									

Model	Year	MG	SG	Illustration	Restrictions	Update	17:23	23.08.2006	PORSCHE	PET	PORSCHE
993	98	1	03	103-07		203					



Pos	Part Number	Name	Remarks	Qty	Model
		camshaft housing			
1	993 105 011 05	camshaft housing	/L	1	
1	993 105 011 50	camshaft housing	/L	1	M64.60
1	993 105 012 05	camshaft housing	/R	1	
1	993 105 012 50	camshaft housing	/R	1	M64.60
2	900 108 014 00	ball 4,5 MM		12	
3	993 105 345 00	plug		2	
4	900 108 011 00	ball 6,35MM		4	
5	999 501 080 30	plug 6,35 X 7		4	
6	993 105 362 03	oil splash tube		2	
7	993 105 379 00	plug 8,15 X 9		4	
8	993 105 117 02	cover		1	
9	999 707 293 40	o-ring 40 X 4		1	
10	900 075 328 02	screw M 6 X 55		3	
11	900 108 038 00	ball 9,52 MM		4	M64.60
12	993 107 118 00	pressure pipe		2	
13	999 701 449 40	o-ring 8,3 X 2,4		4	
14	999 218 082 02	screw M 8 X 50		24	
15	999 218 081 02	screw M 8 X 30		12	
16	993 105 115 05	cover		2	
17	993 105 173 02	gasket		3	
18	993 105 116 07	cover		2	
(18)	993 105 117 50	cover	/R	1	M64.60
(18)	993 105 117 50	cover	/L	1	M64.60

Model	Year	MG	SG	Illustration	Restrictions	Update	17:23	23.08.2006	PORSCHE	PET	PORSCHE
993	98	1	03	103-07		203					

Pos	Part Number	Name	Remarks	Qty	Model	Pos	Part Number	Name	Remarks	Qty	Model
19	993 105 135 02	gasket		2							
20	900 067 238 02	screw M 6 X 30		38							
20	900 075 345 02	screw M 6 X 35		4	M64.60						
21	993 105 175 00	dowel sleeve		24							
22	N 010 210 13	hexagon-head bolt M 6 X 10		1							
23	900 915 005 02	connection piece A 12		2	M64.60						
24	900 123 019 30	sealing ring A 16 X 22		2	M64.60						
25	993 105 295 52	heat protection plate	/L	1	M64.60						
(25)	993 105 294 52	heat protection plate	/R	1	M64.60						
		- - - E N D - - -									

Model	Year	MG	SG	Illustration	Restrictions	Update	17:23	23.08.2006	PORSCHE	PET	PORSCHE
993	98	1	03	103-10		203					

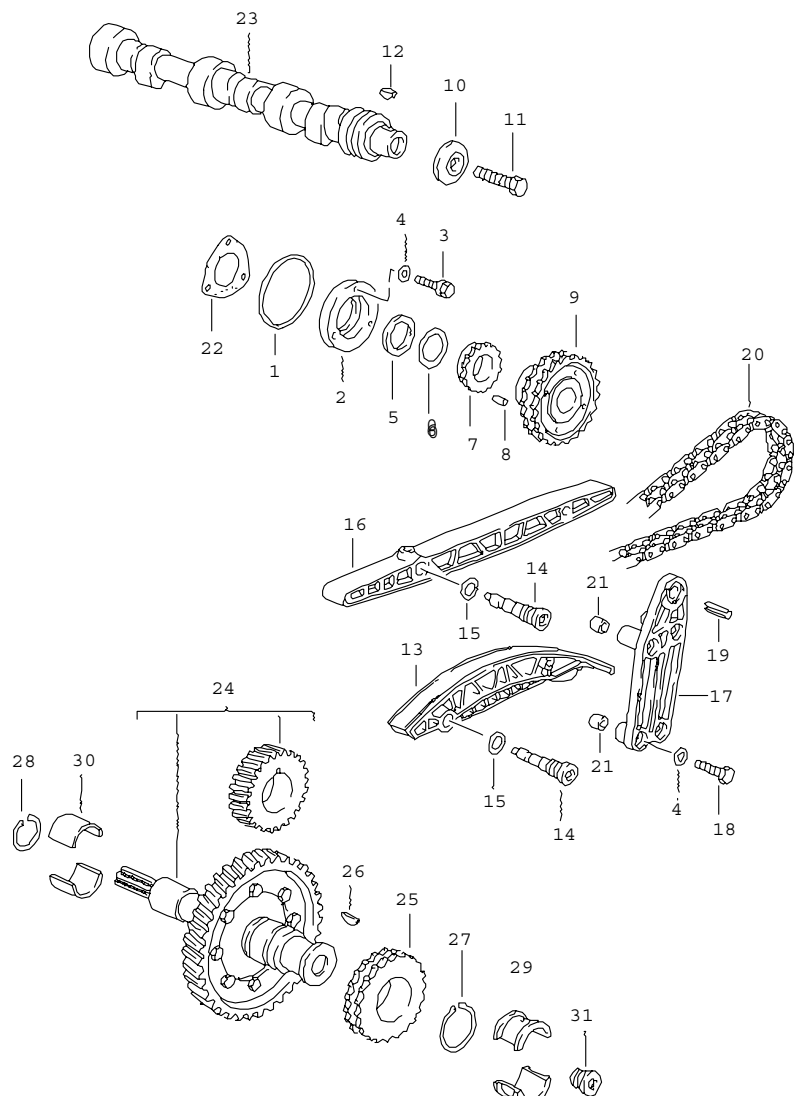
Pos	Part Number	Name	Remarks	Qty	Model
1	999 707 313 40	valve control left		1	
2	930 105 196 00	o-ring 67,2 X 5,77		1	
3	900 075 442 02	cover		3	
4	N 011 524 7	screw M 6 X 25		2	
5	901 105 562 00	washer A 6,4		1	
6	901 105 561 00	thrust washer		X	
7	901 105 583 01	shim		1	
8	900 243 001 00	flange		1	
8	900 243 001 00	straight pin 6 H 8 X 14		1	
(9)	901 105 546 02	sprocket	-3/95	1	
9	993 105 546 01	sprocket		1	
10	993 105 163 50	washer		1	
11	900 082 072 01	hexagon-head bolt M 12 X 1,5 X 50		1	
12	N 012 708 2	woodruff key 4,0 X 5,0		1	
13	964 105 043 02	tensioner blade		1	
14	964 105 171 02	bolt		1	
15	900 123 131 30	sealing ring A 16 X 20		2	
16	964 105 029 00	guide piece		1	
17	964 105 018 02	supporting bow		1	
18	900 075 476 02	hexagon-head bolt M 6 X 38		4	
19	999 095 045 01	roll pin 10,5 X 43		1	
20	993 105 529 00	timing chain closed		1	
21	999 095 048 00	dowel sleeve 8 X 8 intake		4	

Model	Year	MG	SG	Illustration	Restrictions	Update					
993	98	1	03	103-10		203	17:23	23.08.2006	PORSCHE	PET	PORSCHE

Pos	Part Number	Name	Remarks	Qty	Model	Pos	Part Number	Name	Remarks	Qty	Model
22	993 105 085 00	rocker arm intake exhaust		6							
23	993 105 086 00	rocker arm exhaust		6							
24	993 105 342 06	rocker shaft		12							
25	993 105 141 03	hydraulic valve tappet		12	M64.60						
25	993 105 141 05	hydraulic valve tappet		12							
25	993 105 141 50	hydraulic valve tappet size 1		X	M64.60						
25	993 105 141 51	hydraulic valve tappet size 1		X							
25	993 105 141 60	hydraulic valve tappet size 2		X	M64.60						
25	993 105 141 61	hydraulic valve tappet size 2		X							
26	900 067 346 01	pan-head screw M 6 X 35		24							
27	993 105 247 07	camshaft		1	M64.05/06 M64.07/08						
27	993 105 247 09	camshaft		1	M64.21/22 M64.23/24						
27	993 105 247 41	camshaft		1	M64.20						
27	993 105 247 51	camshaft		1	M64.60						
28	930 105 197 05	gasket		1							
		- - - E N D - - -									

Model	Year	MG	SG	Illustration	Restrictions	Update	17:24	23.08.2006	PORSCHE	PET	PORSCHE
993	98	1	03	103-15		203					

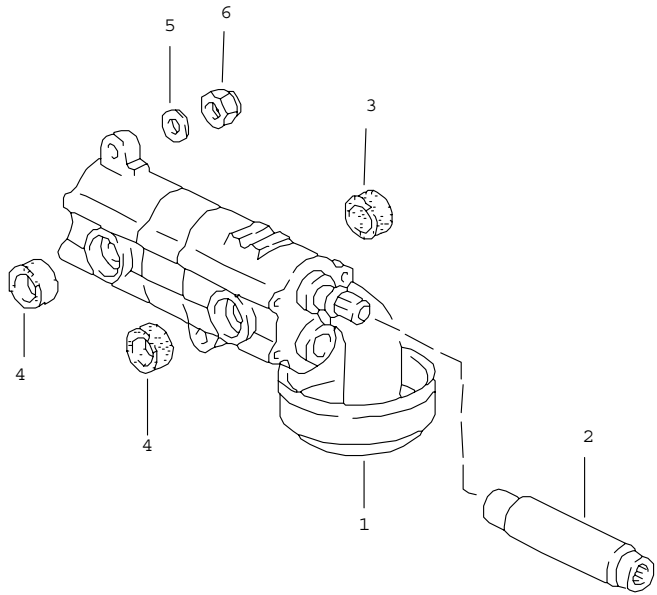
Pos	Part Number	Name	Remarks	Qty	Model
1	999 707 313 40	valve control right		1	
2	930 105 196 00	o-ring 67,2 X 5,77		1	
3	900 075 442 02	cover		3	
4	N 011 524 7	screw M 6 X 25		3	
5	901 105 562 00	washer A 6,4		1	
6	901 105 561 00	thrust washer		X	
7	901 105 583 01	shim		1	
8	900 243 001 00	flange		1	
9	900 243 001 00	straight pin 6 H 8 X 14		1	
10	993 105 546 02	sprocket		1	
11	993 105 163 50	washer		1	
12	900 082 072 01	hexagon-head bolt M 12 X 1,5 X 50		1	
13	N 012 708 2	woodruff key 4,0 X 5,0		1	
14	964 105 043 02	tensioner blade		1	
15	964 105 171 02	bolt		2	
16	900 123 131 30	sealing ring A 16 X 20		1	
17	964 105 030 00	guide piece		1	
18	964 105 018 02	supporting bow		1	
19	900 075 476 02	hexagon-head bolt M 6 X 38		4	
20	999 095 045 01	roll pin 10,5 X 43		1	
21	993 105 529 00	timing chain closed		1	
22	999 095 048 00	dowel sleeve 8 X 8		4	
23	930 105 197 05	gasket		1	



Model	Year	MG	SG	Illustration	Restrictions	Update	17:24	23.08.2006	PORSCHE	PET	PORSCHE
993	98	1	03	103-15		203					

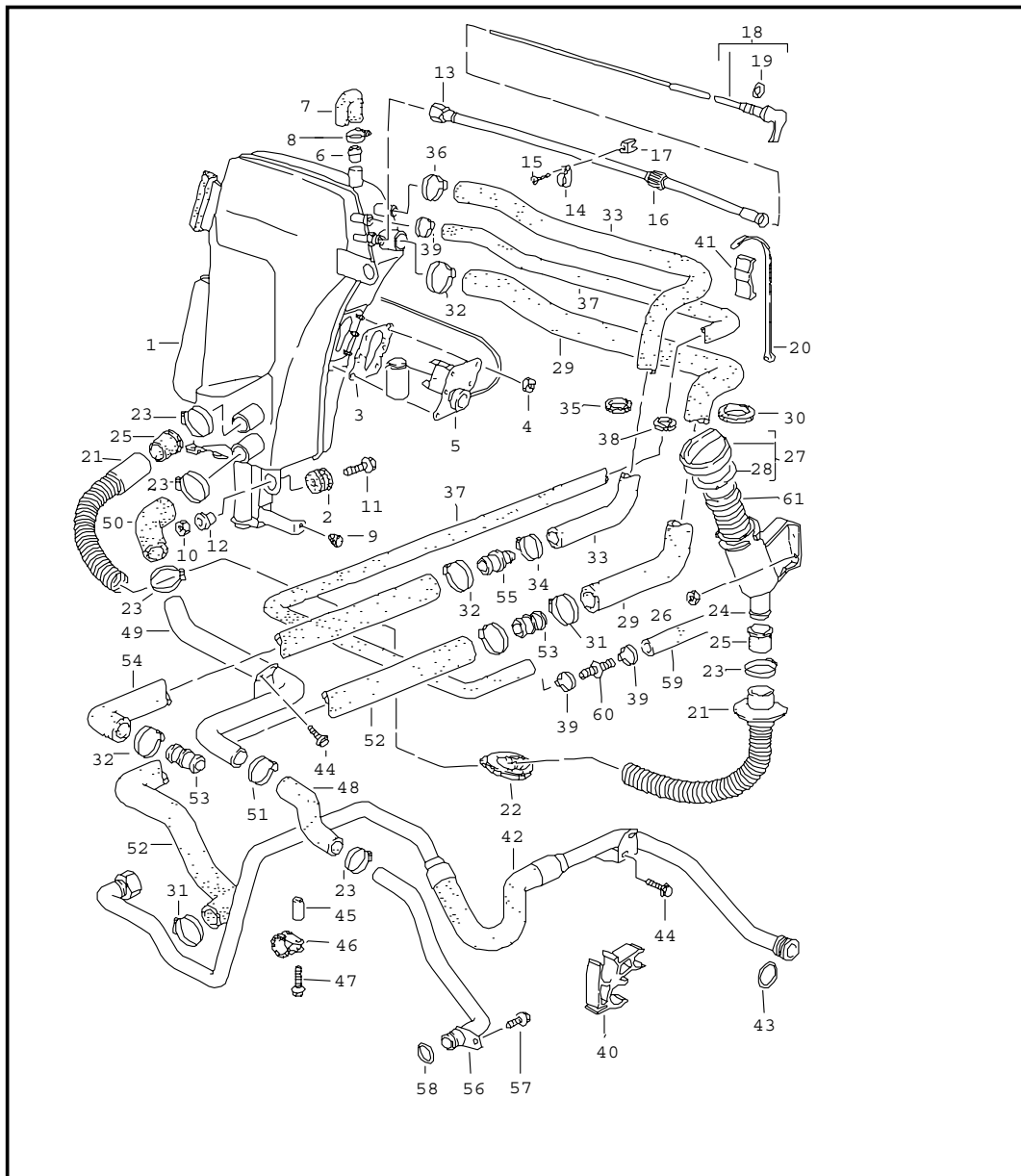
Pos	Part Number	Name	Remarks	Qty	Model	Pos	Part Number	Name	Remarks	Qty	Model
23	993 105 246 07	camshaft		1	M64.05/06 M64.07/08			- - - E N D - - -			
23	993 105 246 09	camshaft		1	M64.21/22 M64.23/24						
23	993 105 246 41	camshaft		1	M64.20						
23	993 105 246 51	camshaft		1	M64.60						
24	A 993 105 911 52	intermediate shaft with timing gear number 0		1							
24	A 993 105 911 56	intermediate shaft with timing gear number 0		1							
24	993 105 911 56	intermediate shaft with timing gear number 0		1							
24	A 993 105 911 53	intermediate shaft with timing gear number 1 with timing gear number 1		1							
24	993 105 911 57	intermediate shaft with timing gear number 1		1							
25	901 105 125 04	sprocket		2							
26	900 118 010 00	woodruff key 6,0 X 7,5		2							
27	900 041 025 01	circlip 36 X 1,75		2							
28	900 041 026 01	circlip 13 X 1		1							
29	996 101 137 80	bearing		2							
30	996 101 435 70	bearing shell		2							
31	999 064 038 30	screw plug 18 X 1,5		1	M64.21/22 M64.23/24						
31	993 105 275 52	intermediate piece		1	M64.60						

Model	Year	MG	SG	Illustration	Restrictions	Update	17:24	23.08.2006	PORSCHE	PET	PORSCHE
993	98	1	04	104-00		203					



Pos	Part Number	Name	Remarks	Qty	Model
		oil pump			
1	964 107 011 11	oil pump		1	
2	930 107 143 03	connecting shaft		1	
3	999 704 173 50	sealing ring 19,5 X 26		1	
4	999 704 172 50	sealing ring 16,3 X 22		2	
5	900 031 001 02	washer 8,4		3	
6	999 084 095 02	lock nut M 8		3	
		- - - E N D - - -			

Model	Year	MG	SG	Illustration	Restrictions	Update	17:24	23.08.2006	PORSCHE	PET	PORSCHE
993	98	1	04	104-01		203					



Pos	Part Number	Name	Remarks	Qty	Model
		oil tank lines			
1	993 207 070 51	oil tank		1	
2	999 702 193 40	rubber sleeve		2	
3	993 207 226 00	gasket		1	
4	999 076 050 02	hexagon nut M 5		6	
5	993 641 051 00	tank gauge		1	
6	944 107 324 00	valve		1	
7	964 207 177 00	breather hose		1	
8	999 512 554 00	hose clamp 12 - 22/9		1	
9	999 703 044 50	plug 8,0 X 1,0		1	
10	999 084 210 02	lock nut M 8		2	
11	900 074 310 02	screw M 8 X 35		2	
12	999 209 037 02	spacer sleeve 8,4 X 1,8		2	
13	993 207 057 01	guide tube		1	
14	999 511 069 02	clamp 12 X 15		1	
15	900 187 118 02	screw B 4,2 X 16		1	
16	993 207 158 00	rubber sleeve		1	
17	999 507 050 40	expander nut B 4,2		1	
18	993 207 041 00	oil level dipstick		1	
19	900 174 063 40	round seal		1	
20	999 513 003 40	tie-wrap 1,6 - 100		1	
21	993 207 212 02	filling hose		1	
22	993 207 213 00	rubber sleeve		1	

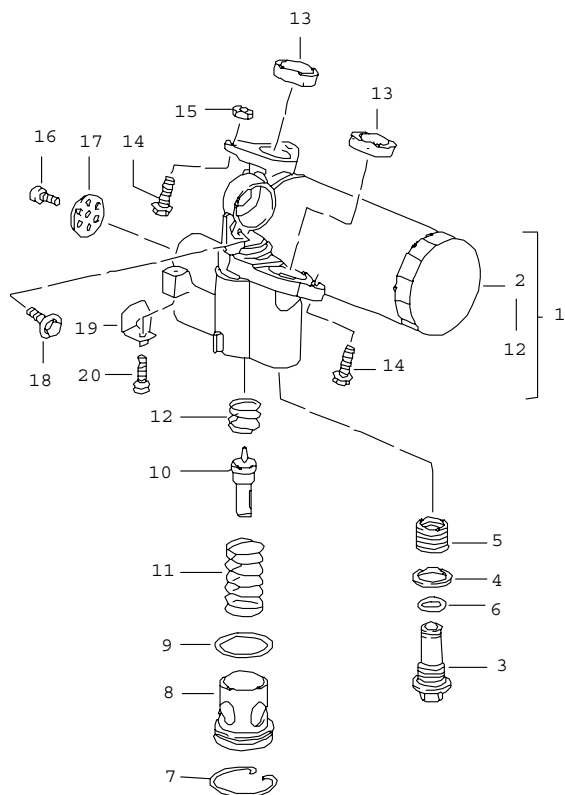
Model	Year	MG	SG	Illustration	Restrictions	Update	17:24	23.08.2006	PORSCHE	PET	PORSCHE
993	98	1	04	104-01		203					

Pos	Part Number	Name	Remarks	Qty	Model	Pos	Part Number	Name	Remarks	Qty	Model
23	999 512 566 00	hose clamp 25 - 40		5		42	993 207 252 01	return line		1	
24	993 207 361 04	filler neck		1		(42)	993 207 252 52	return line		1	M64.60
25	993 207 212 60	sealing rubber		2		43	999 707 255 40	o-ring 26,64 X 2,62		2	
26	900 380 003 02	hexagon nut M 6		2		44	900 075 355 02	screw M 6 X 16		4	
27	911 107 072 02	fuel tank cap		1		45	993 207 407 00	sleeve		1	M 480
28	930 107 272 01	sealing ring		1		46	930 107 407 03	clip		1	
29	993 207 146 01	breather hose		1		47	900 075 346 02	screw M 6 X 40		1	M 480
30	999 702 199 50	grommet 32 X 36 X 8		1		48	993 207 253 00	oil hose		1	
31	999 512 551 00	hose clamp 25 - 40,9		2		49	993 207 251 00	oil tube		1	
32	999 512 473 02	clamp 29,2 - 35,0		4		50	993 207 255 00	oil hose		1	
33	993 207 149 01	breather hose		1		51	999 512 566 00	clamp 25 - 40		1	
34	999 512 346 00	hose clamp 16 - 27,9		1		52	993 207 143 01	breather hose		1	M64.05/06 M64.07/08
35	999 702 196 50	grommet 22 X 36 X 8		1		(52)	993 207 143 03	breather hose		1	M64.20/21/22 M64.23/24
36	999 512 447 02	clamp 21,3 - 24,1		1		(52)	993 207 143 51	breather hose		1	M64.60
37	993 207 150 01	breather hose		1	M64.05/06 M64.07/08	53	930 110 267 04	connecting piece		2	
(37)	993 207 150 02	breather hose		1	M64.20/21/22 M64.23/24	54	993 207 151 00	breather hose		1	M64.05/06 M64.07/08
(37)	993 207 150 53	breather hose		1	M64.60	(54)	993 207 151 01	breather hose		1	M64.20/21/22 M64.23/24
38	999 702 198 50	grommet 19 X 22 X 8		1		55	993 207 324 01	reducing socket		1	
39	999 512 386 02	clamp 17,2 - 21,0		1		56	993 207 250 04	oil pipe		1	M64.06/08 M64.22/24
40	993 207 332 01	hose holder		1	M64.05/06/07 M64.08/60	56	993 207 260 01	oil pipe		1	M64.05/07 M64.20/21/23
(40)	993 207 332 02	hose holder		1	M64.20/21/22 M64.23/24	(56)	993 207 260 51	oil pipe		1	M64.60
41	993 207 136 00	spacer		1		57	900 075 087 02	hexagon-head bolt M 8 X 16		1	

Model	Year	MG	SG	Illustration	Restrictions	Update	17:24	23.08.2006	PORSCHE	PET	PORSCHE
993	98	1	04	104-01		203					

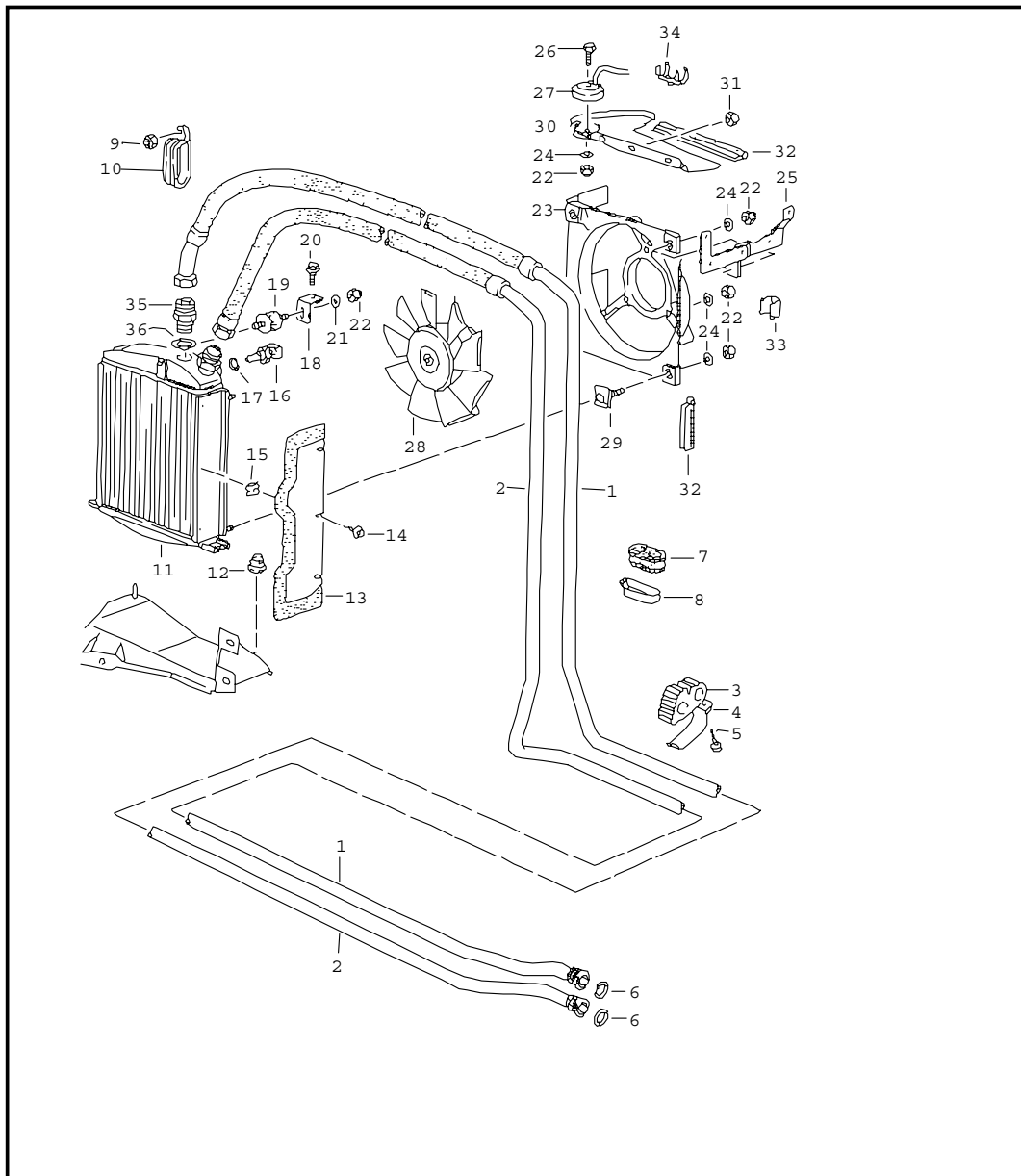
Pos	Part Number	Name	Remarks	Qty	Model	Pos	Part Number	Name	Remarks	Qty	Model
58	999 707 316 40	o-ring 21,89 X 2,62		2							
(58)	999 707 309 40	o-ring 26 X 1		1							
59	993 207 152 00	breather hose		1	M64.20/21/22 M64.23/24						
60	964 207 313 01	connecting piece		1	M64.20/21/22 M64.23/24						
61	993 207 363 50	bellows		1							
		- - - E N D - - -									

Model	Year	MG	SG	Illustration	Restrictions	Update	17:24	23.08.2006	PORSCHE	PET	PORSCHE
993	98	1	04	104-03		203					



Pos	Part Number	Name	Remarks	Qty	Model
		bracket for oil filter and thermostat			
1	993 207 058 03	thermostat		1	
2	993 207 201 02	oil filter		1	
3	993 207 258 02	screw plug		1	
4	900 123 118 30	sealing ring A 22 X 27		1	
5	999 504 127 00	threaded insert M 20 X 1,5 X 15		1	
6	999 701 269 40	o-ring 11 X 2,5		1	
7	999 041 111 00	circlip A 40,9		1	
8	993 207 351 01	cover		1	
9	999 701 393 40	o-ring 32 X 2,5		1	
10	928 107 172 02	regulator insert		1	
11	928 107 171 01	compression spring		1	
12	928 107 173 00	compression spring		1	
13	993 207 225 00	sealing ring		2	
14	900 075 221 02	screw M 6 X 18		3	
15	900 380 003 02	hexagon nut M 6		3	
16	900 067 008 02	pan-head screw M 6 X 12		1	
17	999 025 247 00	washer 6,5 X 28 X 2,0		1	
18	900 075 413 09	screw M 6 X 16		1	
19	993 207 221 00	support		1	
20	993 207 925 00	screw		1	
		- - - E N D - - -			

Model	Year	MG	SG	Illustration	Restrictions	Update	17:24	23.08.2006	PORSCHE	PET	PORSCHE
993	98	1	04	104-05		203					

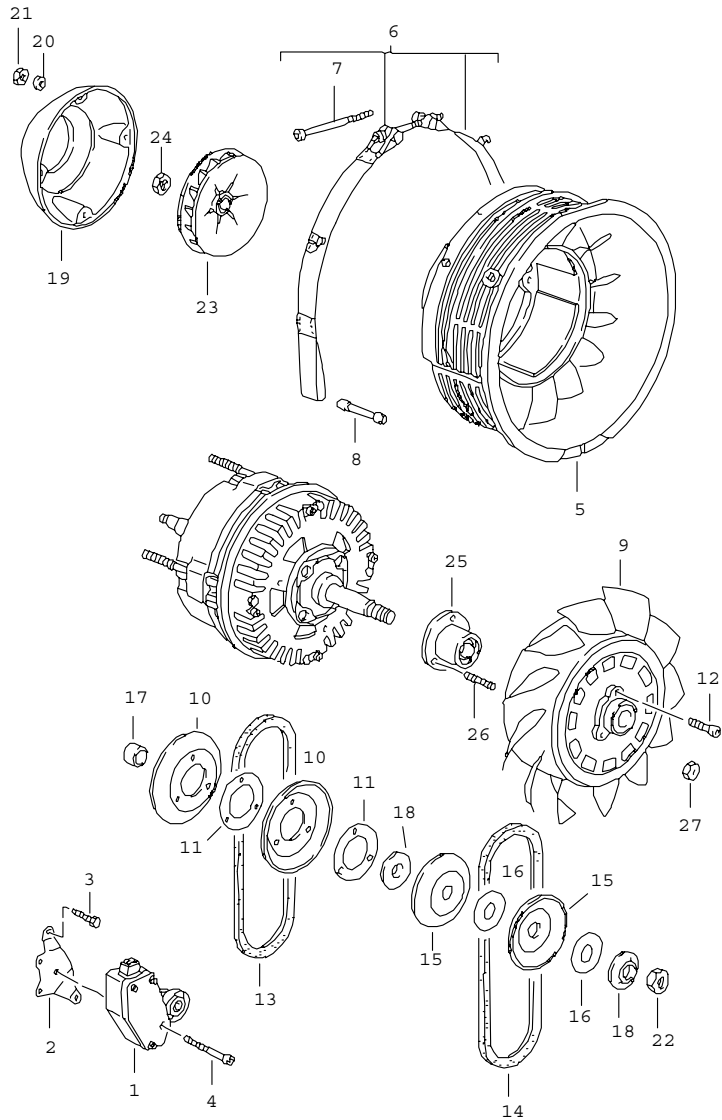


Pos	Part Number	Name	Remarks	Qty	Model
		oil cooler lines			
1	993 207 133 03	oil pipe		1	
2	993 207 135 03	oil pipe		1	
3	993 207 305 01	rubber mounting		2	
4	993 207 303 00	clamp		2	
5	900 187 118 02	screw ST 4,2 X 16		2	
6	999 707 255 40	o-ring 26,64 X 2,62		4	
7	993 207 265 01	rubber mounting		1	
8	999 511 162 02	clip 29 X 15		1	
9	999 084 094 02	lock nut M 6		3	
10	964 207 121 00	hose clamp		2	
11	964 207 220 02	oil cooler		1	
12	964 207 413 01	buffer		2	
13	964 207 223 01	air baffle		1	
14	900 187 132 02	screw B 3,5 X 13		3	
15	999 591 713 02	speed nut ST 4,2		3	
16	964 624 110 00	temperature sensor		1	
17	900 123 007 30	sealing ring A 14 X 18		1	
18	993 207 415 00	bracket		1	
19	999 703 323 00	bonded rubber buffer 20 X 20		1	
20	900 075 374 02	screw M 6 X 14		1	
21	900 151 003 02	washer A 6,4		1	
22	900 076 010 02	hexagon nut M 6		9	

Model	Year	MG	SG	Illustration	Restrictions	Update	17:24	23.08.2006	PORSCHE	PET	PORSCHE
993	98	1	04	104-05		203					

Pos	Part Number	Name	Remarks	Qty	Model	Pos	Part Number	Name	Remarks	Qty	Model
23	993 624 041 00	air-guide cowl		1							
24	N 011 524 7	washer A 6,4		8							
25	993 612 807 00	cable holder		1							
26	900 378 030 09	hexagon-head bolt M 6 X 20		1							
27	993 616 521 01	series resistor		1							
28	964 624 035 00	blower		1							
29	999 591 911 02	bolt M 6 X 20		4							
30	993 575 522 00	air duct		1	M 480						
30	993 575 522 01	air duct		1	M 249						
31	999 591 839 40	hexagon nut T5		3							
32	999 911 398 40	protective edging 557 MM it is necessary to rework		X							
33	999 591 895 02	retaining clip		3							
34	999 651 203 40	cable holder		1							
35	999 136 045 09	union		2							
36	900 123 118 30	sealing ring A 22 X 27		2							
37	900 151 026 02	washer 10,5		1							
		- - - E N D - - -									

Model	Year	MG	SG	Illustration	Restrictions	Update	17:25	23.08.2006	PORSCHE	PET	PORSCHE
993	98	1	05	105-00		203					

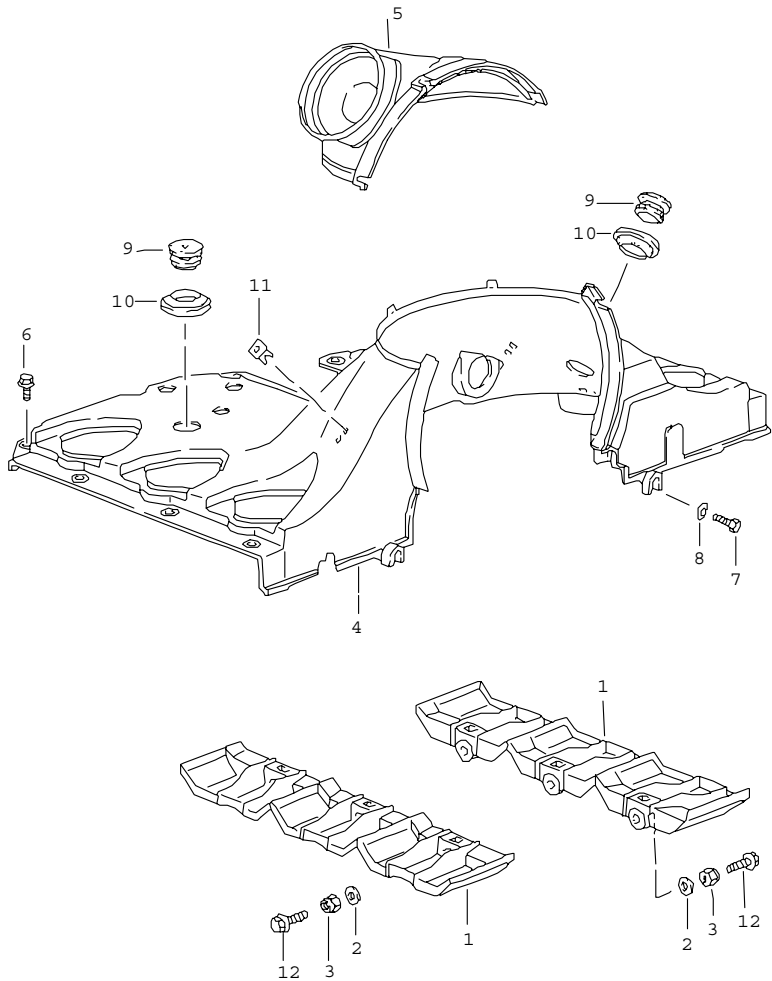


Pos	Part Number	Name	Remarks	Qty	Model
		air cooling			
1	993 106 035 00	sender		1	
2	964 106 315 02	support		1	
3	999 072 005 09	hexagon-head bolt M 6 X 12		2	
4	N 014 743 2	pan-head screw M 6 X 30		1	
5	993 106 667 01	fan housing		1	
5	993 106 667 50	fan housing		1	M64.60
6	993 106 017 00	restraining strap	-95	1	
6	993 106 017 01	restraining strap	96-	1	
(6)	993 106 251 50	restraining strap		1	M64.60
7	900 067 290 02	pan-head screw M 6 X 70 X 36		1	
7	900 067 152 02	pan-head screw M 8 X 55		1	M64.60
8	964 106 273 00	pin		2	
9	964 106 015 31	impeller		1	
9	964 106 015 40	impeller		1	M64.20
9	964 106 015 21	impeller		1	M64.60
10	964 106 511 02	pulley half		2	
(10)	993 106 509 50	pulley half inner		1	M64.60
(10)	993 106 510 50	pulley half outer		1	M64.60
11	964 106 517 01	shim		X	
12	900 119 026 02	pan-head screw M 6 X 30		3	
13	999 192 338 50	narrow v-belt 9,5 X 776		1	
13	999 192 343 50	narrow v-belt 9,5 X 760		1	M64.60

Model	Year	MG	SG	Illustration	Restrictions	Update					
993	98	1	05	105-00		203	17:25	23.08.2006	PORSCHE	PET	PORSCHE

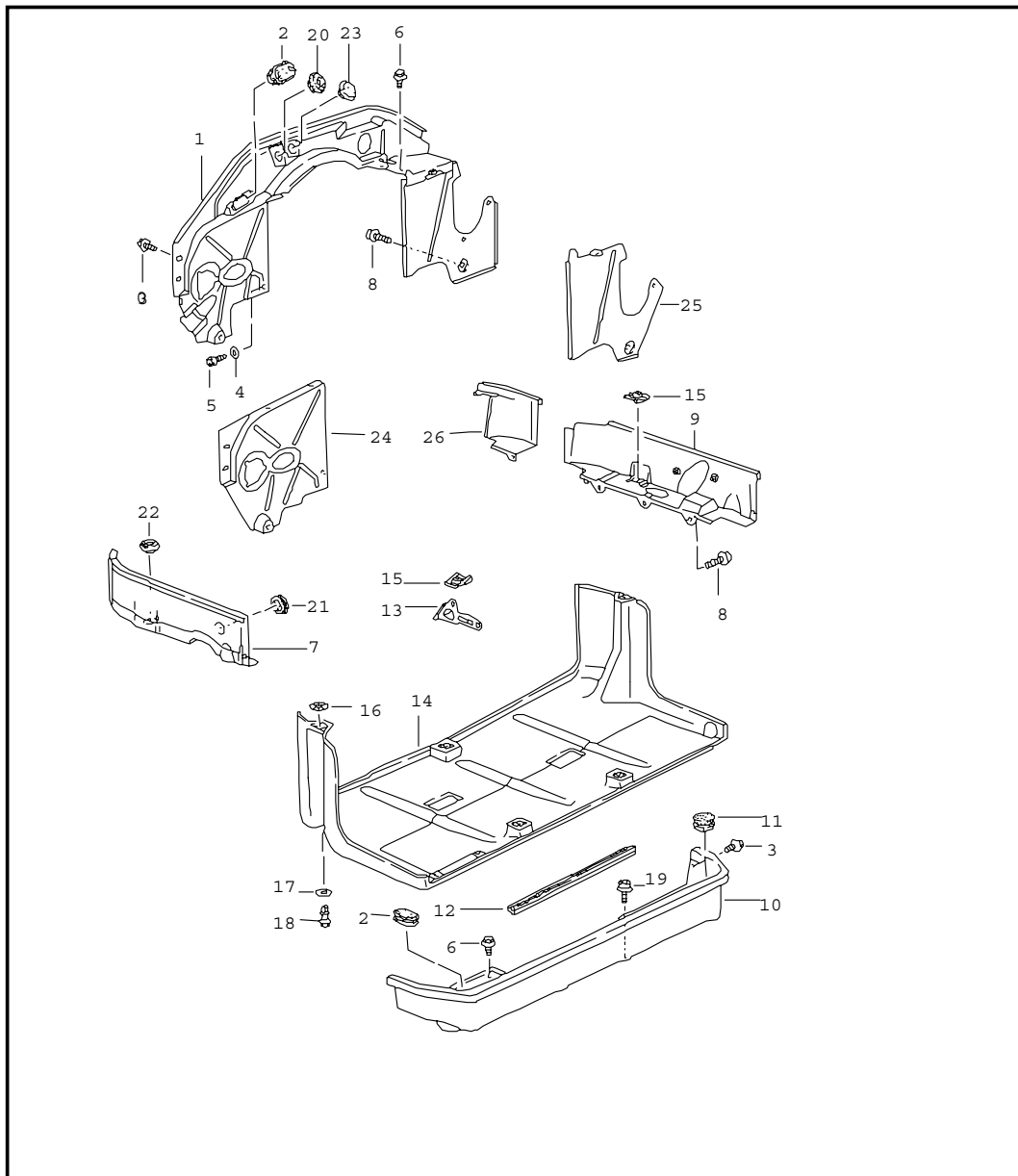
Pos	Part Number	Name	Remarks	Qty	Model	Pos	Part Number	Name	Remarks	Qty	Model
14	999 192 338 50	narrow v-belt 9,5 X 776 electronic mail 47A/95		1	M64.05/21	(25)	993 106 051 80	wheel hub		1	M64.20
						26	999 062 093 02	stud BM 6 X 35		3	M64.20
14	999 192 343 50	narrow v-belt 9,5 X 760		1	M64.06/07/08 M64.22/23/24	27	999 084 094 02	lock nut M 6		3	M64.20
14	U 999 192 373 50	v-belt 9,5 X 753 electronic mail 7/97		1	M64.60			- - - E N D - - -			
14	999 192 372 50	narrow v-belt 9,5 X 757		1	M64.60						
15	964 106 267 00	pulley half electronic mail 47A/95		2	M64.05/21						
15	964 106 267 31	pulley half		2	M64.06/07/08 M64.22/23/24						
15	U 993 106 268 00	pulley		2	M64.60						
15	993 106 268 01	pulley half		2	M64.60						
16	964 106 268 30	shim 0,5 MM		X	M64.21/22 M64.23/24/60						
16	964 106 268 31	shim 0,5 MM		X	M64.05/06 M64.07/08						
16	964 106 268 32	shim 0,7 MM		X	M64.21/22 M64.23/24/60						
17	964 106 515 30	spacer sleeve		1							
18	964 106 211 32	sleeve		2							
19	930 603 041 01	hub extension		1							
20	N 011 524 7	washer A 6,4		4							
21	900 910 010 09	lock nut VM 6		4							
22	900 034 013 02	hexagon nut BM 16 X 1,5		1							
23	928 603 045 01	impeller		1							
24	900 034 003 02	hexagon nut BM 10		1							
25	964 106 051 30	wheel hub		1							

Model	Year	MG	SG	Illustration	Restrictions	Update	17:25	23.08.2006	PORSCHE	PET	PORSCHE
993	98	1	05	105-05		203					



Pos	Part Number	Name	Remarks	Qty	Model
		air duct			
1	964 106 266 01	air duct		2	
2	999 025 193 30	washer 6,4 X 14 X 3		6	
3	999 084 094 02	lock nut M 6		6	
4	993 106 402 02	air duct		1	
5	964 106 403 02	air duct		1	M64.05/06 M64.07/08 M64.20 M003
5	993 106 403 00	air duct		1	M64.21/22 M64.23/24
6	900 075 355 02	screw M 6 X 16		14	
7	900 075 014 02	hexagon-head bolt M 6 X 18		2	
8	930 126 135 01	washer 6,1		2	
9	911 612 328 00	rubber sleeve		2	
10	911 612 327 00	rubber sleeve		2	
11	999 591 592 40	special nut		6	
12	999 217 135 02	screw M 6 X 32		6	
- - - E N D - - -					

Model	Year	MG	SG	Illustration	Restrictions	Update	17:25	23.08.2006	PORSCHE	PET	PORSCHE
993	98	1	05	105-10		203					

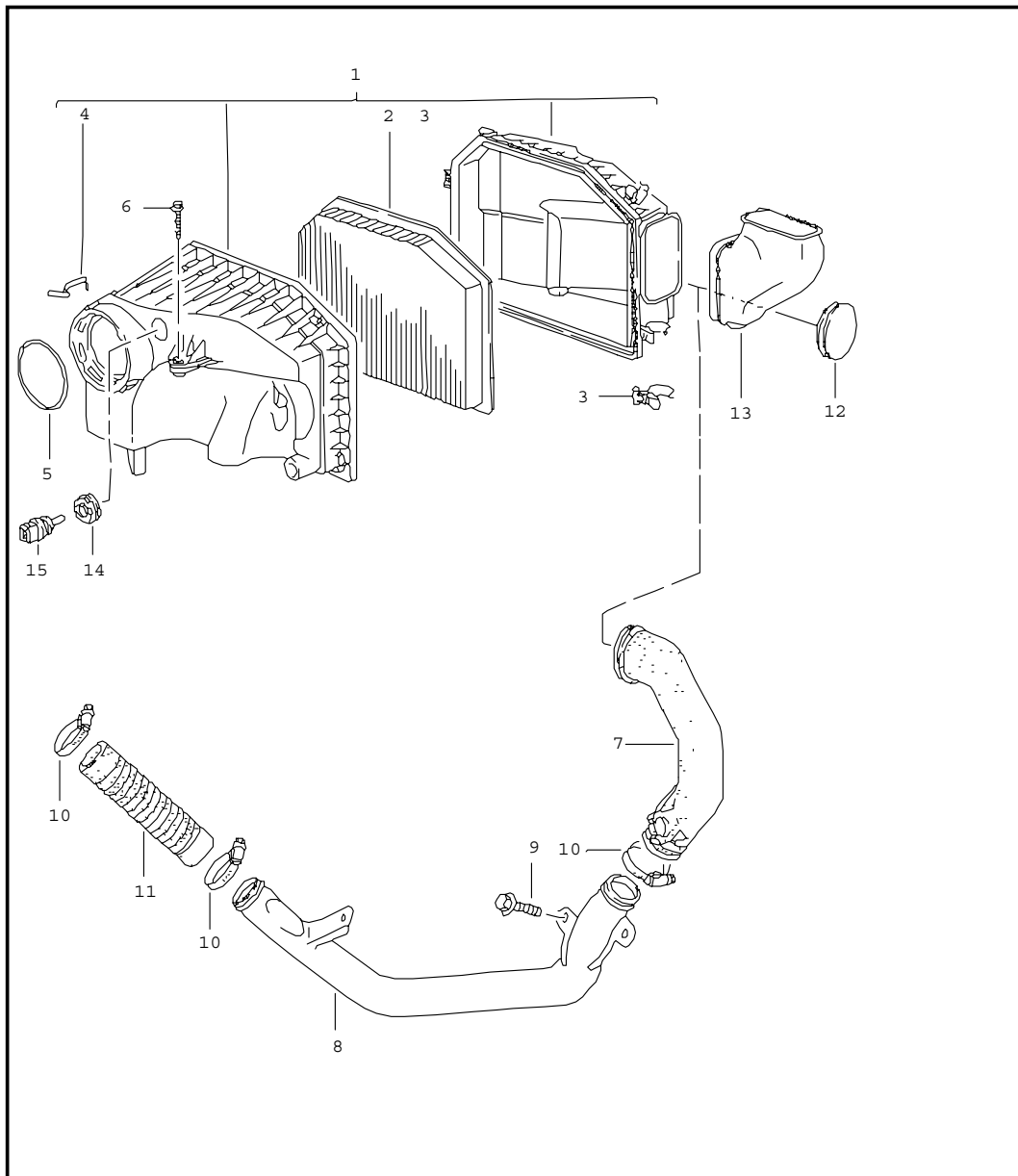


Pos	Part Number	Name	Remarks	Qty	Model
		engine cover protective plate			
1	993 106 285 07	engine cover	/V	1	
2	911 606 407 00	grommet		1	
3	999 075 039 02	screw M 6 X 12		4	
4	N 011 524 7	washer 6,4		2	
5	900 067 008 02	pan-head screw M 6 X 12		1	
6	999 143 004 08	screw M 6 X 12		3	
7 A	993 106 229 05	engine cover	/L	1	
7	993 106 229 05	engine cover	/L	1	
7	993 106 229 51	engine cover	/L	1	M64.60
8	900 067 329 02	screw M 8 X 18		8	
9	993 106 289 11	engine cover	/R	1	M64.06/08 M64.22/24
9	993 106 289 10	engine cover	/R	1	M64.05/07 M64.20/21 M64.23
9	993 106 289 51	engine cover	/R	1	M64.60
10	993 106 214 06	engine cover	/H	1	
10	993 106 214 51	engine cover	/H	1	M64.60
11	999 507 429 02	cover		2	
12	964 106 223 01	engine compartment seal		2	
13	993 119 108 00	support		1	
14	993 119 129 04	protective plate		1	
14	993 119 129 51	protective plate		1	M64.60
15	999 507 413 09	support		3	
16	999 507 412 08	spring washer 6,3 X 12,5		5	
17	900 151 007 02	washer 7,4		5	

Model	Year	MG	SG	Illustration	Restrictions	Update	17:25	23.08.2006	PORSCHE	PET	PORSCHE
993	98	1	05	105-10		203					

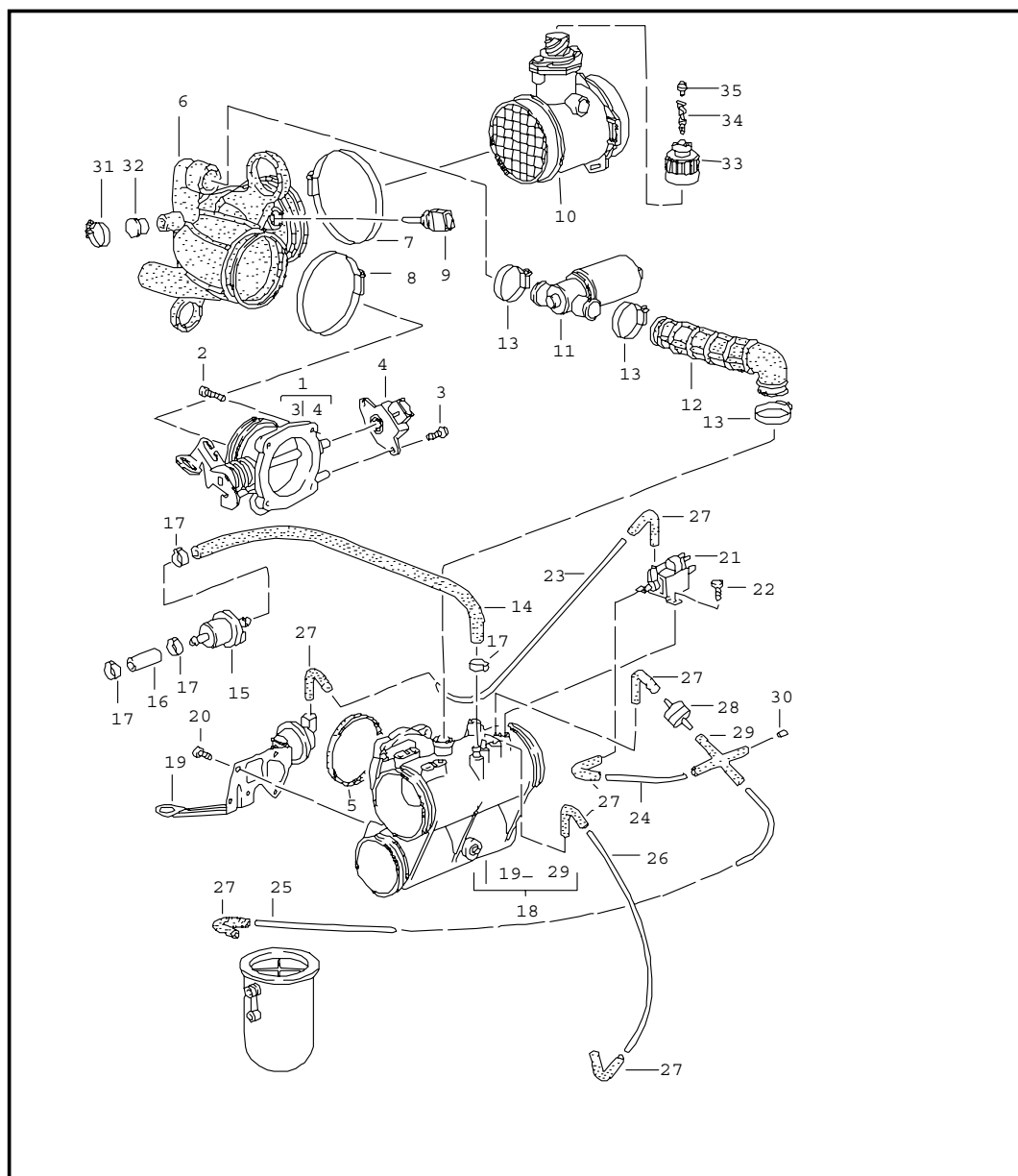
Pos	Part Number	Name	Remarks	Qty	Model	Pos	Part Number	Name	Remarks	Qty	Model
18	999 507 425 09	locking bolt 6 X 22		5							
19	900 067 271 09	screw M 8 X 20		2							
20	999 702 126 50	grommet 17,5 X 23,5 X 7		1							
20	999 702 084 51	grommet 5,5 X 23,5 X 10		1							
21	999 702 166 50	grommet 15,0 X 23,5 X 1,0		4	M64.60						
22	993 606 407 00	grommet		2							
23	993 106 287 00	cap		1							
24	993 106 283 51	engine cover	/L	1	M64.60						
25	993 106 284 51	engine cover	/R	1	M64.60						
26	993 106 291 50	engine cover	/R	1	M64.60						
		- - - E N D - - -									

Model	Year	MG	SG	Illustration	Restrictions	Update	17:25	23.08.2006	PORSCHE	PET	PORSCHE
993	98	1	06	106-00		203					



Pos	Part Number	Name	Remarks	Qty	Model
		air cleaner			
1	993 110 030 02	air cleaner	-95	1	M64.05/06 M64.07/08
1	993 110 030 07	air cleaner	96-	1	M64.20/21/22 M64.23/24
1	993 110 030 06	air cleaner	95	1	M64.05/06 M64.07/08 M 159
1	993 110 030 08	air cleaner	96-	1	M64.21/22 M64.23/24 M 159
(1)	993 110 032 52	air cleaner		1	M64.60
2	993 110 327 00	filter element		1	
3	993 110 116 00	clamp		2	
4	993 110 116 01	clamp		2	
5	993 110 147 01	sealing ring		1	
6	900 075 346 02	screw M 6 X 40		1 1	
7	993 110 118 00	hose elbow		1	CARRERA
(7)	993 110 118 50	hose elbow		1	TURBO
8	993 110 020 02	pipe		1	CARRERA
9	900 075 374 02	screw M 6 X 14		2	CARRERA
10	999 512 499 00	hose clamp 32 - 50/9		3	CARRERA
11	999 782 041 90	hose 41 X 1,5 X 185		1	CARRERA
11	999 782 043 90	hose 41 X 46 X 300		1	TURBO
12	993 110 333 00	plug		1	M64.06/08 M64.22/24
13	993 110 360 51	intake trumpet		1	TURBO
14	993 110 530 00	grommet		1	CARRERA
15	993 606 113 00	temperature sensor		1	CARRERA
- - - E N D - - -					

Model	Year	MG	SG	Illustration	Restrictions	Update	17:26	23.08.2006	PORSCHE	PET	PORSCHE
993	98	1	07	107-00		203					

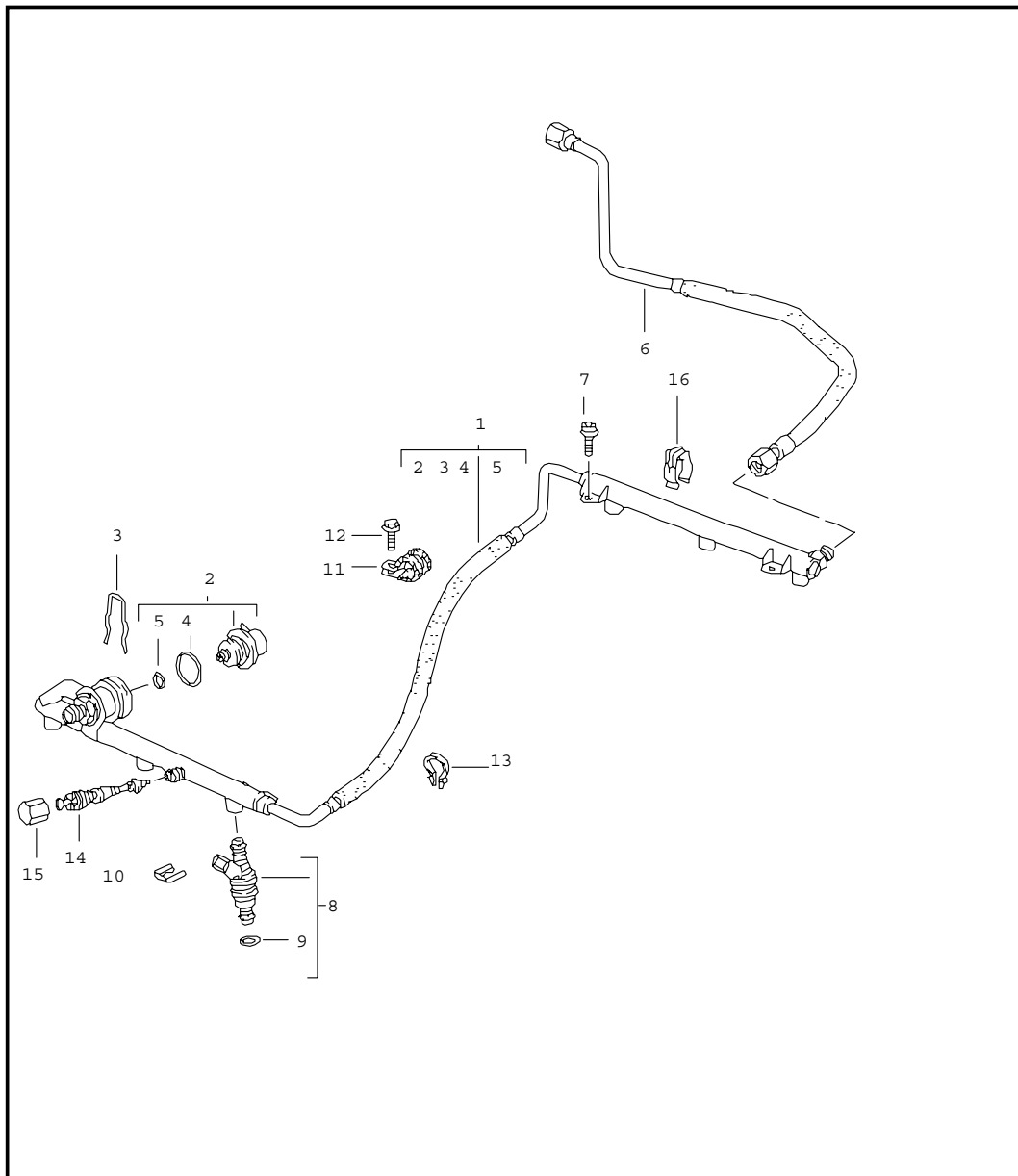


Pos	Part Number	Name	Remarks	Qty	Model
		l-jetronic throttle housing			M64.05/06 M64.07/08
1	993 110 128 11	throttle body		1	
2	900 067 111 02	pan-head screw M 5 X 18		4	
3	900 146 120 02	screw M 4 X 10 Z1		2	
4	944 606 116 01	throttle-valve switch		1	
5	964 110 227 00	sealing ring		1	
6	993 110 367 04	air box		1	
7	999 512 350 02	hose clamp 80 - 100		1	
8	999 512 351 02	hose clamp 70 - 90/9		1	
9	993 606 113 00	temperature sensor		1	
10	993 606 123 01	mass air flow		1	
11	993 606 160 00	idle-speed adjuster		1	
12	993 110 589 02	hose		1	
13	999 512 551 00	hose clamp 25 - 40/9		3	
14	993 110 543 00	hose		1	
15	993 605 240 00	bleeder valve		1	
-	000 043 205 00	hose 8,0 X 3,0		*	
16	-	37 MM			
17	999 512 498 00	clamp 13,1 - 15,3		4	
18	993 110 027 03	connecting piece		1	
19	993 110 012 01	vacuum unit		1	
20	900 146 003 02	oval-head screw M 5 X 10		5	
21	911 618 123 01	change-over valve		1	
22	999 919 098 02	oval-head screw M 5,0 X 12		2	

Model	Year	MG	SG	Illustration	Restrictions	Update	17:26	23.08.2006	PORSCHE	PET	PORSCHE
993	98	1	07	107-00		203					

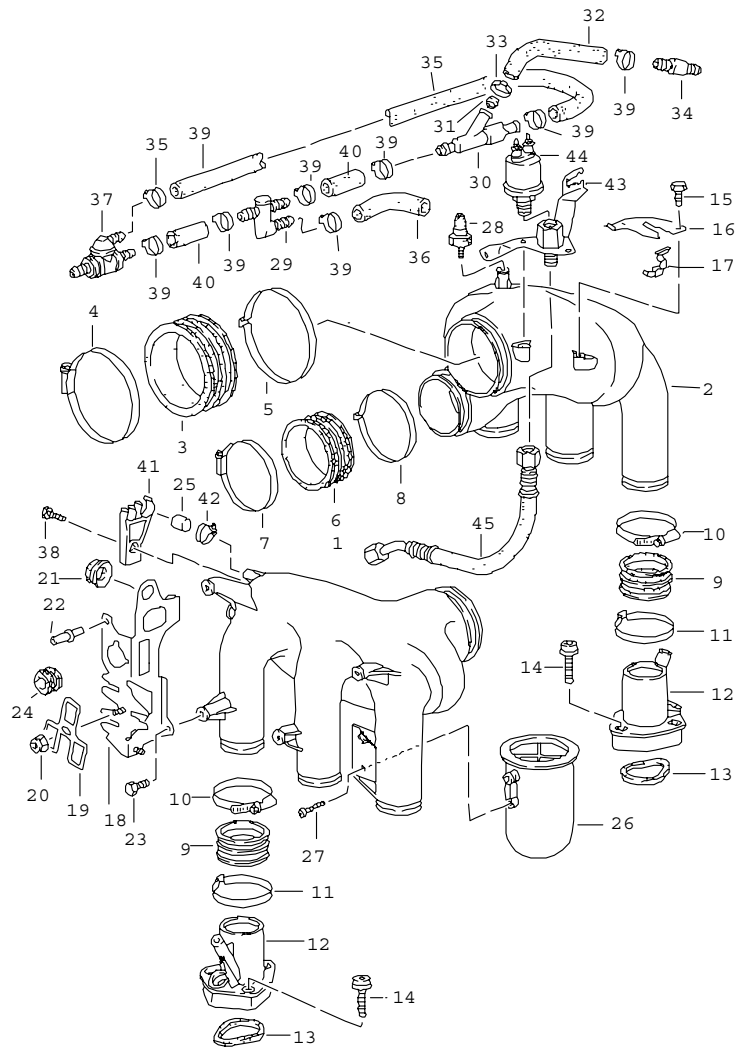
Pos	Part Number	Name	Remarks	Qty	Model	Pos	Part Number	Name	Remarks	Qty	Model
-	N 020 139 11	pipe 4,0 X 1,0		*							
23	-	270 MM		1							
24	-	90 MM		1							
25	-	220 MM		1							
26	-	580 MM		1							
27	928 574 717 03	protective tube		7							
28	964 110 950 01	check valve		1							
29	928 573 729 02	distributing piece		1							
30	900 312 012 02	bolt A 4,0 X 10		1							
31	999 512 554 00	hose clamp LC 12-22/9		1	M 339						
32	999 703 385 40	plug 13,2		1	M 339						
33	999 652 774 40	connector housing		1							
34	999 652 775 22	contact bush		1							
35	999 652 777 40	rubber seal		1							
		- - - E N D - - -									

Model	Year	MG	SG	Illustration	Restrictions	Update	17:26	23.08.2006	PORSCHE	PET	PORSCHE
993	98	1	07	107-05		203					



Pos	Part Number	Name	Remarks	Qty	Model
		l-jetronic lines			
1	993 110 040 02	fuel line		1	
1 A	993 110 040 51	fuel line		1	M64.60
1	993 110 040 52	fuel line		1	M64.60
2	993 110 199 00	pressure regulator		1	
3	993 110 196 00	retaining clip		1	
4	999 707 277 40	o-ring		1	
5	999 707 276 40	o-ring		1	
6	993 110 415 01	fuel line		1	
(6)	993 110 415 56	fuel line		1	M64.60
7	900 075 355 02	screw M 6 X 16		4	
8	993 606 120 00	injector valve		6	
8	993 606 122 00	injector valve		6	M64.60
9	944 110 901 01	o-ring 7,52 X 3,53		12	
10	930 110 388 00	retaining clip		6	
11	999 511 066 02	clamp B 18 X 15		1 1	
12	900 075 357 02	screw M 6 X 12		1	
13	291 711 245	cable holder A 18		1	
14	993 110 217 00	valve		1	
15	993 110 218 01	cap		1	
16	993 607 503 00	cable holder		4	
		- - - E N D - - -			

Model	Year	MG	SG	Illustration	Restrictions	Update	17:26	23.08.2006	PORSCHE	PET	PORSCHE
993	98	1	07	107-10		203					

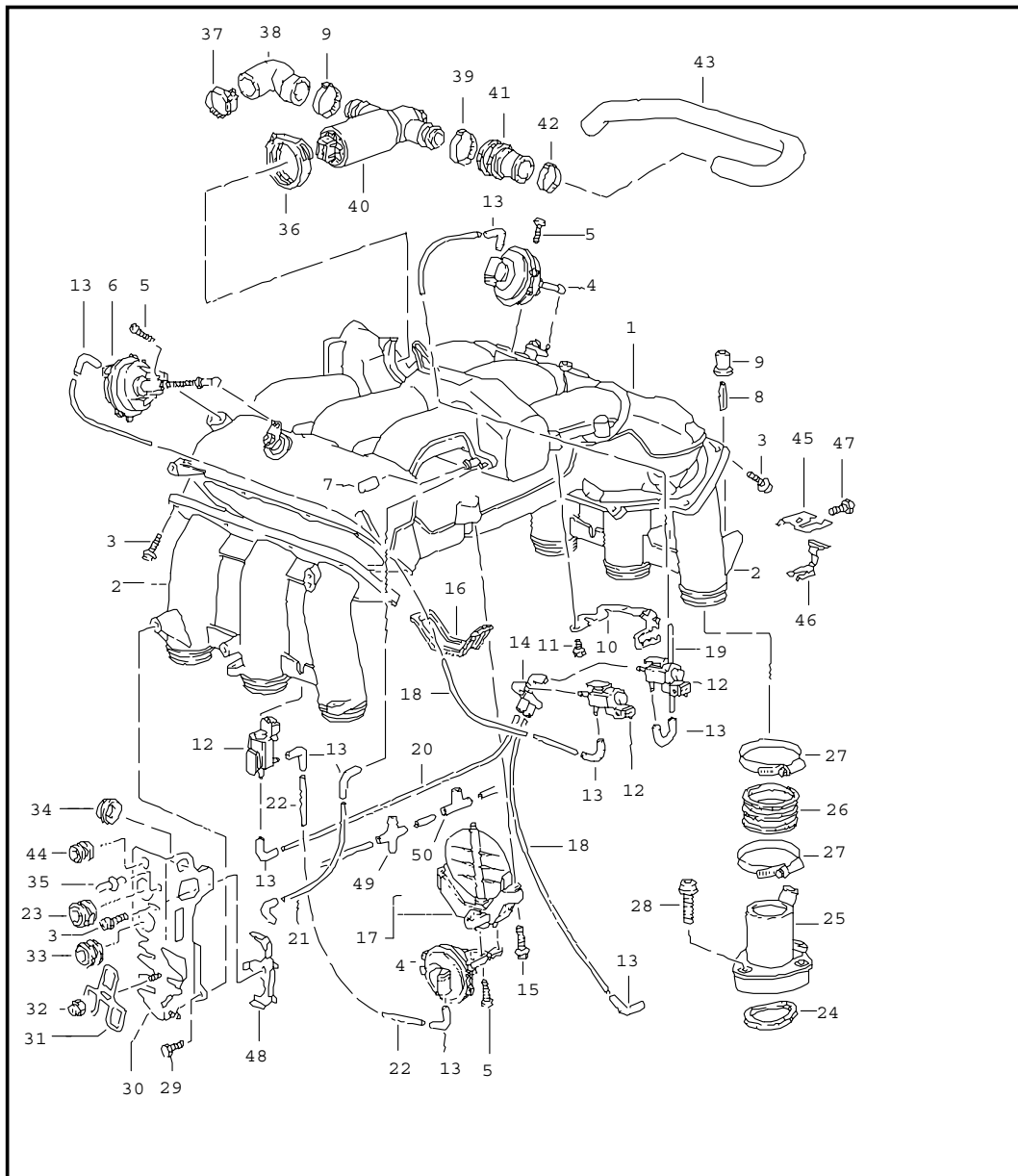


Pos	Part Number	Name	Remarks	Qty	Model
		1-jetronic intake distributor			M64.05/06/07 M64.08/60
1	993 110 627 50	intake distributor		1	
2	996 110 618 70	intake distributor		1	
3	964 110 685 03	rubber sleeve		2	
3	993 110 685 51	rubber sleeve		2	M64.60
4	999 512 350 02	hose clamp 80-100/9		2	
5	999 512 579 00	clamp 93,3-96,5		2	
6 A	964 110 686 01	rubber sleeve		2	
6	964 110 686 03	rubber sleeve		2	
6	993 110 686 51	rubber sleeve		2	M64.60
7	999 512 351 02	hose clamp 70-90/9		2	
8	999 512 578 00	clamp 78,3-81,5		2	
9	964 110 687 03	rubber sleeve		6	
9	993 110 687 51	rubber sleeve		6	M64.60
10	999 512 348 02	hose clamp 40-60		6	
11	999 512 577 00	clamp 55,8-59		6	
12	993 110 712 50	intake manifold		6	
13	993 110 713 01	sealing ring		6	
14	900 067 316 02	screw M 6 X 35		18	
15	999 919 102 02	hexagon-head bolt M 6,0 X 12		2	
15	999 919 103 02	hexagon-head bolt M 6,0 X 18		2	M64.60
16	993 606 243 00	support		1	
17	928 606 282 00	tensioning spring		1	
18	993 110 546 07	support	-94	1	

Model	Year	MG	SG	Illustration	Restrictions	Update					
993	98	1	07	107-10		203	17:26	23.08.2006	PORSCHE	PET	PORSCHE

Pos	Part Number	Name	Remarks	Qty	Model	Pos	Part Number	Name	Remarks	Qty	Model
18	993 110 546 08	support	95-	1		43	993 107 032 52	connecting piece		1	M64.60
19	964 606 241 00	tab washer		1		44	928 606 203 01	oil pressure sender		1	M64.60
20	999 084 094 02	lock nut		1		45	993 107 223 51	oil pipe		1	M64.60
21	999 702 171 50	grommet		1		46	999 703 422 40	rubber cap		1	M64.60
22	993 110 532 02	connection piece		1		47	900 382 004 02	screw M 6 X 30		1	M64.60
23	999 072 005 09	hexagon-head bolt M 6 X 12		2				- - - E N D - - -			
24	964 110 510 01	grommet		1							
25	930 110 256 09	cap		1	M 339						
26	993 110 140 03	vacuum tank		1							
27	999 919 115 02	oval-head screw 5,0 X 22		1							
28	993 110 321 03	bonded rubber buffer		2							
29	930 110 691 01	connection piece		1							
30	067 133 753 A	venturi tube		1							
31	964 110 278 00	restrictor		1							
32	993 110 513 00	hose		1							
33	999 512 536 02	clamp 20,0 - 24,1		1							
34	964 207 313 01	connecting piece		1							
35	999 181 068 41	hose		1							
36	964 110 515 02	hose		1							
37	930 110 667 01	check valve		1							
38	900 187 010 02	tapping screw 6,3 X 19		1							
39	999 512 534 00	clamp 18,8-21,1		8							
-	999 181 022 51	hose 12,0 X 4		*							
40	-	45 MM		2							
41	993 207 334 00	hose holder		1							
42	999 512 504 02	hose clamp 19,2 - 21,8		1							

Model	Year	MG	SG	Illustration	Restrictions	Update	17:26	23.08.2006	PORSCHE	PET	PORSCHE
993	98	1	07	107-12		203					

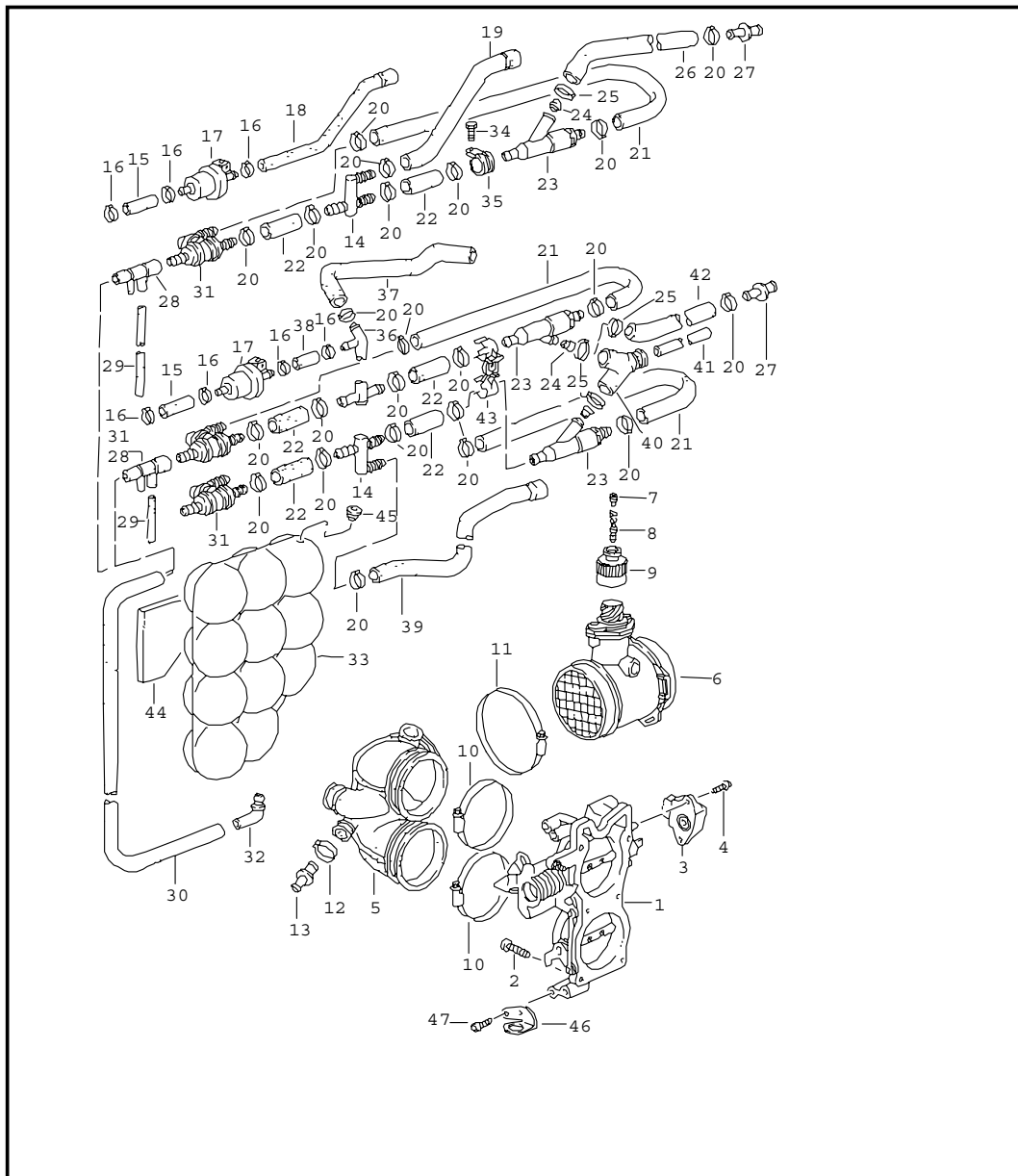


Pos	Part Number	Name	Remarks	Qty	Model
		intake distributor			M64.20/21/22 M64.23/24
1	993 110 081 42	intake distributor		1	M64.20
1	993 110 081 02	intake distributor		1	M64.21/22 M64.23/24
2	993 110 181 43	intake manifold		2	M64.20
2	993 110 181 04	intake manifold		2	M64.21/22 M64.23/24
3	900 067 207 02	screw M 6 X 20		27	
4	993 110 462 02	vacuum unit		2	
5	900 146 123 02	screw M 5 X 16		6	
6	993 110 461 03	vacuum unit		1	
7	930 110 256 02	cap		1	
8	900 095 054 01	roll pin 6,0 X 30		2	
9	999 703 422 40	rubber cap		2	
10	993 110 515 02	support		1	
11	900 075 010 02	hexagon-head bolt M 6 X 12		2	
12	996 605 123 01	change-over valve		3	
13	928 574 717 03	protective tube		10	
14	993 110 571 01	distributing piece		1	
15	900 075 341 02	hexagon-head bolt M 6 X 25		2	
16	993 110 263 01	gasket		1	
17	993 110 061 03	housing		1	
-	900 918 005 40	pipe 5,0 X 1,0		*	
18	-	490 MM		2	
19	-	245 MM		1	
20	-	375 MM		1	
21	-	380 MM		1	

Model	Year	MG	SG	Illustration	Restrictions	Update	17:26	23.08.2006	PORSCHE	PET	PORSCHE
993	98	1	07	107-12		203					

Pos	Part Number	Name	Remarks	Qty	Model	Pos	Part Number	Name	Remarks	Qty	Model
22	-	100 MM		1		42	999 512 380 02	hose clamp 26,0-30,1		1	
23	993 110 510 02	grommet		1		43	993 110 581 02	connecting tube		1	
24	993 110 723 40	sealing ring		6	M64.20	44	993 110 509 01	grommet		1	M64.21/22 M64.23/24
(24)	993 110 713 01	sealing ring		6	M64.21/22 M64.23/24	45	993 606 241 00	support		1	
25	993 110 722 00	intake manifold		6	M64.20	46	928 606 282 00	tensioning spring		1	
25	993 110 712 50	intake manifold		6	M64.21/22 M64.23/24	47	900 378 036 09	hexagon-head bolt		1	
26	964 110 687 03	rubber sleeve		6	M64.21/22 M64.23/24	48	993 110 534 01	support		1	
26	993 110 683 00	rubber sleeve		6	M64.20	49	999 137 017 40	distributing piece KS 4		1	
27	999 512 348 02	hose clamp 40-60		6		50	999 137 075 40	distributing piece 4 - 6 - 4		1	
28	900 067 316 02	screw M 6 X 35		18		--	999 201 371 00	shaft seal 8 X 12 X 3		2	
29	900 075 267 02	hexagon-head bolt M 6 X 14		2				- - - E N D - - -			
30	993 110 546 08	support		1	M64.20						
(30)	993 110 546 09	support		1	M64.21/22 M64.23/24						
31	964 606 241 00	tab washer		1							
32	999 084 094 02	lock nut		1							
33	964 110 510 01	grommet		1							
34	999 702 171 50	grommet		1							
35	993 110 532 02	connection piece		1	M64.20						
36	993 110 587 02	grommet		1							
37	999 512 252 02	hose clamp 23-35/9		2							
38	993 110 585 01	hose		1							
39	999 512 473 02	hose clamp 29,2-35,0		2							
40	993 606 160 00	idle-speed adjuster		1							
41	993 110 583 00	hose		1							

Model	Year	MG	SG	Illustration	Restrictions	Update	17:27	23.08.2006	PORSCHE	PET	PORSCHE
993	98	1	07	107-14		203					

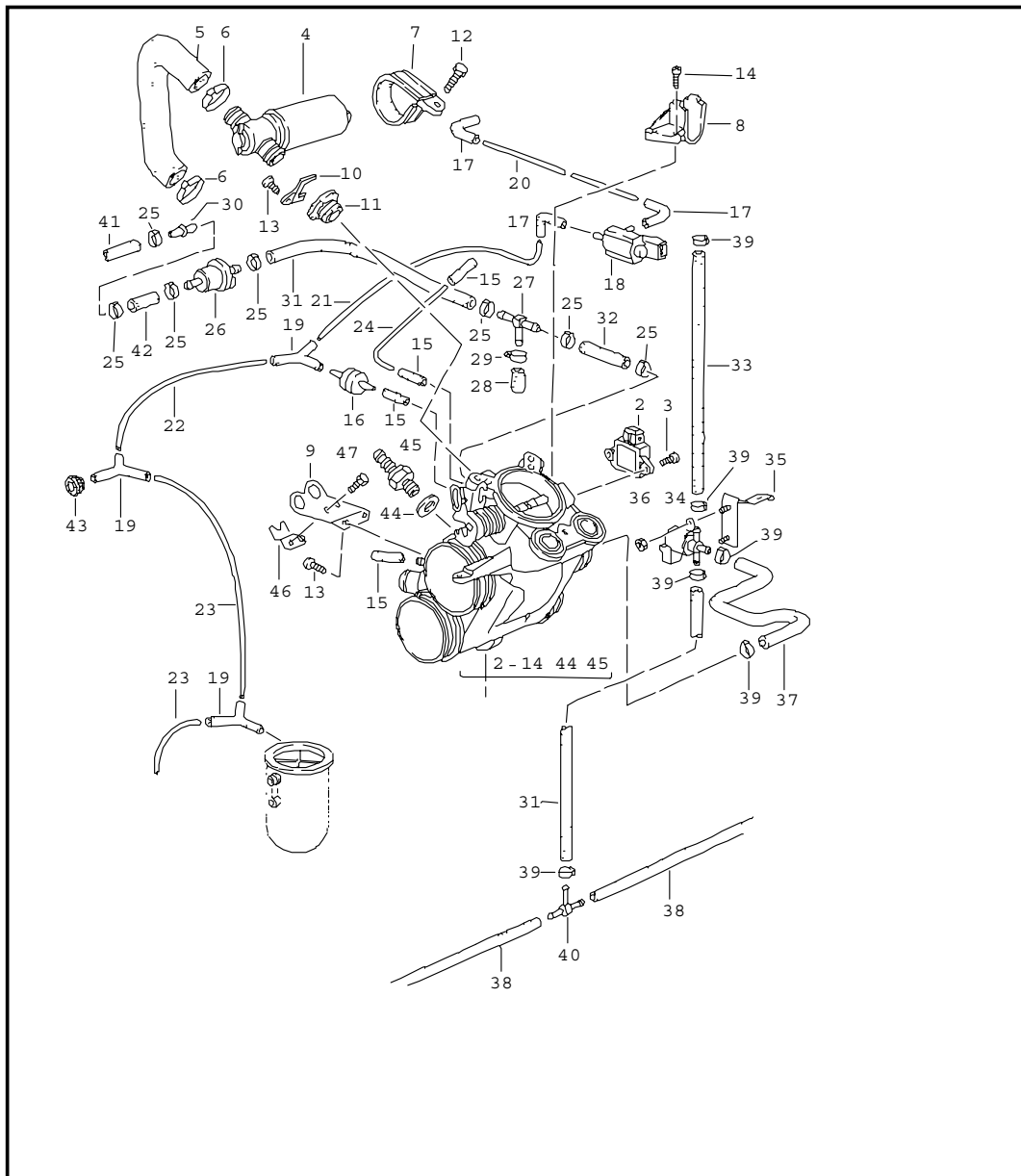


Pos	Part Number	Name	Remarks	Qty	Model
		throttle body			M64.20/21/22 M64.23/24
1	993 110 125 06	throttle body		1	
2	900 067 207 02	screw M 6 X 20		6	
3	944 606 116 01	throttle-valve switch		1	
4	900 146 120 02	oval-head screw M 4 X 10		2	
5	993 110 385 02	air box		1	
6	993 606 123 01	mass air flow		1	
7	999 652 777 40	rubber seal		1	
8	999 652 775 22	contact bush		1	
9	999 652 774 40	connector housing		1	
10	999 512 351 02	hose clamp 70-90/9		2	
11	999 512 350 02	hose clamp 80-100/9		1	
12	999 512 252 02	hose clamp 23-35/9		1	
13	993 207 324 01	connection piece		1	
14	930 110 691 01	connection piece		1	
-	000 043 205 00	hose 8,0 X 3,0		*	
15	-	37 MM		1	
16	999 512 498 00	hose clamp 13,1 - 15,3		3	
17	993 605 240 00	bleeder valve		1	
18	993 110 543 01	hose		1	M64.20
19	993 110 511 00	hose		1	M64.20
20	999 512 497 02	clamp 18,8-21,1		9	
21	999 181 068 41	hose		1	
-	999 181 022 51	hose 12,0 X 4		*	

Model	Year	MG	SG	Illustration	Restrictions	Update	17:27	23.08.2006	PORSCHE	PET	PORSCHE
993	98	1	07	107-14		203					

Pos	Part Number	Name	Remarks	Qty	Model	Pos	Part Number	Name	Remarks	Qty	Model
22	-	45 MM		2		42	993 110 512 01	hose		1	C 4
23	067 133 753 A	venturi tube		1	M64.20	43	993 110 534 00	support		1	
23	078 133 753	venturi tube		1	M64.21/22 M64.23/24	44	993 110 560 00	spacer		1	
24	964 110 278 00	restrictor		1	M64.20	45	431 820 667	grommet		1	
24	993 110 578 00	restrictor		2	M64.21/22 M64.23/24	46	993 110 134 00	support		1	
25	999 512 557 02	clamp 21,0 - 23,8		1		47	999 073 121 02	screw M 6 X 14		2	
26	993 110 513 02	hose		1	M64.20			- - - E N D - - -			
27	964 207 313 01	connecting piece		1							
28	993 110 573 00	distributing piece		1							
-	A 000 043 204 80	pipe		*							
-	000 043 300 56	pipeline 8,0 X 1,0		*							
29	-	915 MM		1							
30	-	1200 MM		1							
31	930 110 667 01	check valve		1							
32	993 110 601 40	connecting piece		1							
33	A 171 820 603	vacuum reservoir		1							
33	993 110 060 00	vacuum reservoir		1							
34	900 075 267 02	hexagon-head bolt M 6 X 14		1							
35	999 512 428 02	clamp 17 X 15		1							
36	993 110 691 01	connection piece		1							
37	993 110 521 00	hose		1							
-	000 043 205 00	hose 8 X 3,0		*							
38	-	45 MM		1							
39	993 110 511 01	hose		1	C 2						
40	993 110 522 00	y-piece		1	C 2						
41	993 110 516 01	connecting tube		1	C 2						

Model	Year	MG	SG	Illustration	Restrictions	Update	17:27	23.08.2006	PORSCHE	PET	PORSCHE
993	98	1	07	107-15		203					

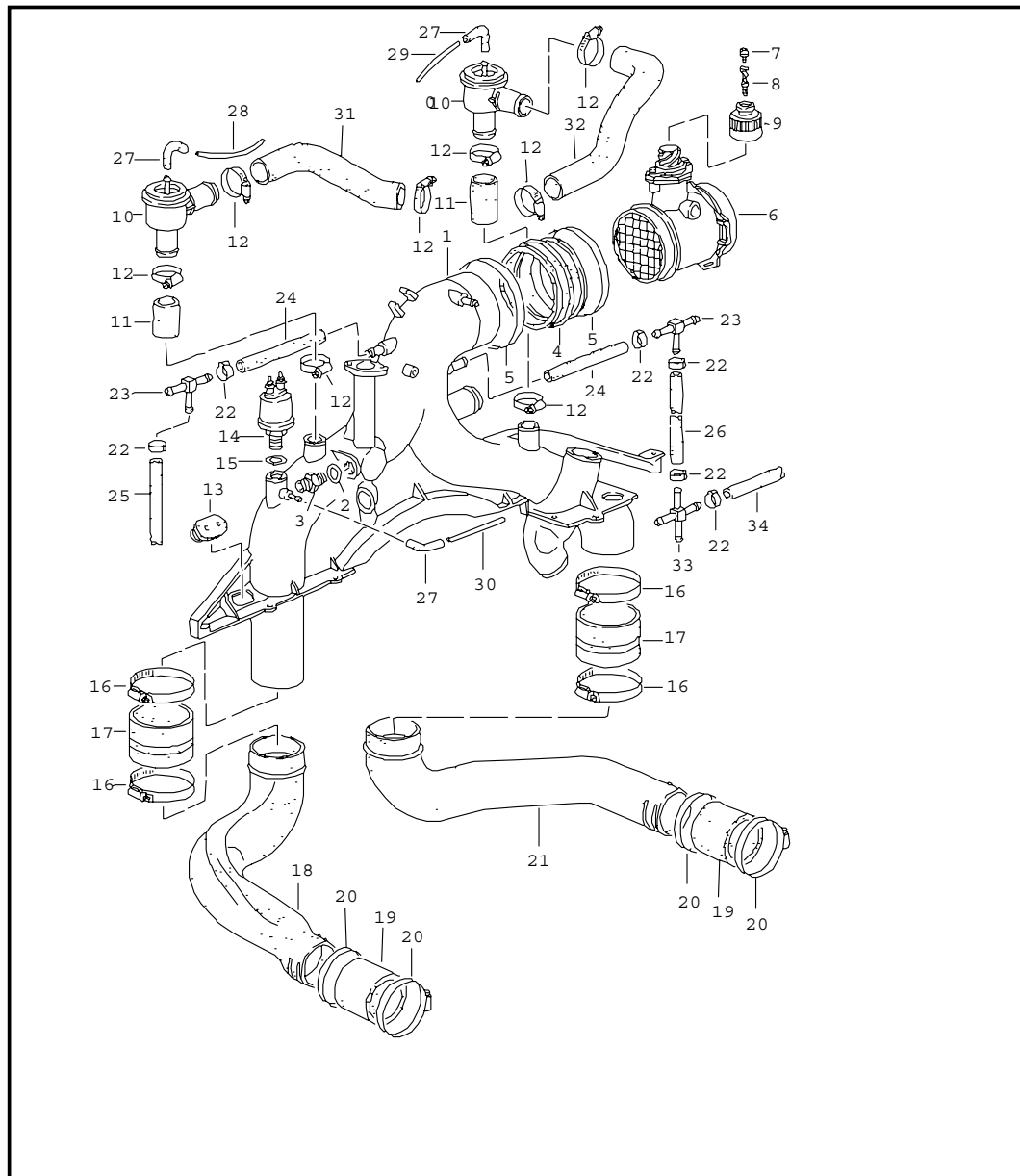


Pos	Part Number	Name	Remarks	Qty	Model
		throttle body			TURBO
1	993 110 026 54	throttle body		1	
2	944 606 116 01	throttle-valve switch		1	
3	900 146 120 02	oval-head screw M 4 X 10		2	
4	993 606 160 00	idle-speed adjuster		1	
5	993 110 133 50	hose		1	
6	999 512 473 02	hose clamp 29,2 - 35,0		2	
7	999 511 235 00	hose clamp 46 X 20		1	
8	964 126 211 04	support		1	
9	993 110 134 51	support		1	
10	993 110 135 50	support		1	
11	993 110 136 50	rubber sleeve		1	
12	900 075 085 02	hexagon-head bolt M 8 X 20		1	
13	999 073 121 02	screw M 6 X 14		3	
14	999 073 129 09	screw		2	
15	928 574 747 03	connecting piece		6	
16	964 110 950 01	check valve		1	
17	928 574 717 03	protective tube		3	
18	996 605 123 01	change-over valve		1	
19	928 573 727 03	y-piece		3	
-	000 043 205 01	pipe 4,0 X 1,0		*	
20	-	250 MM		1	
21	-	40 MM		1	
22	-	400 MM		1	
23	-	300 MM		2	
24	-	500 MM		1	

Model	Year	MG	SG	Illustration	Restrictions	Update					
993	98	1	07	107-15		203	17:27	23.08.2006	PORSCHE	PET	PORSCHE

Pos	Part Number	Name	Remarks	Qty	Model	Pos	Part Number	Name	Remarks	Qty	Model
25	999 512 498 00	clamp 13,1 - 15,3		7		47	999 072 005 09	hexagon-head bolt M 6 X 12		1	
26	993 605 242 00	bleeder valve		1				- - - E N D - - -			
27	999 137 030 40	t-socket		1							
28	930 110 256 02	cap		1							
29	999 512 160 02	hose clamp 13/9		1							
30	993 110 532 02	connection piece		1							
-	999 181 152 50	hose 7,5 X 13,5		*							
31	-	350 MM		2							
32	-	60 MM		1							
33	-	300 MM		1							
34	993 605 119 00	cycle valve		1							
35	993 605 219 01	support		1							
36	900 377 009 02	hexagon nut M 5		2							
37	993 110 123 50	hose		1							
-	900 926 001 40	hose 4,8 X 10,8		*							
38	-	700 MM		2							
39	999 512 460 00	clamp 12,0 - 14,0		6							
40	993 123 221 51	t-socket		1							
41	993 110 543 00	hose		1							
-	000 043 205 00	hose 8,0 X 3,0		*							
42	-	37 MM		1							
43	111 971 911 A	grommet		1							
44	993 110 137 50	sealing ring		1							
45	993 110 138 50	oil separator		1							
46	993 110 139 50	bracket		1							

Model	Year	MG	SG	Illustration	Restrictions	Update	17:27	23.08.2006	PORSCHE	PET	PORSCHE
993	98	1	07	107-20		203					

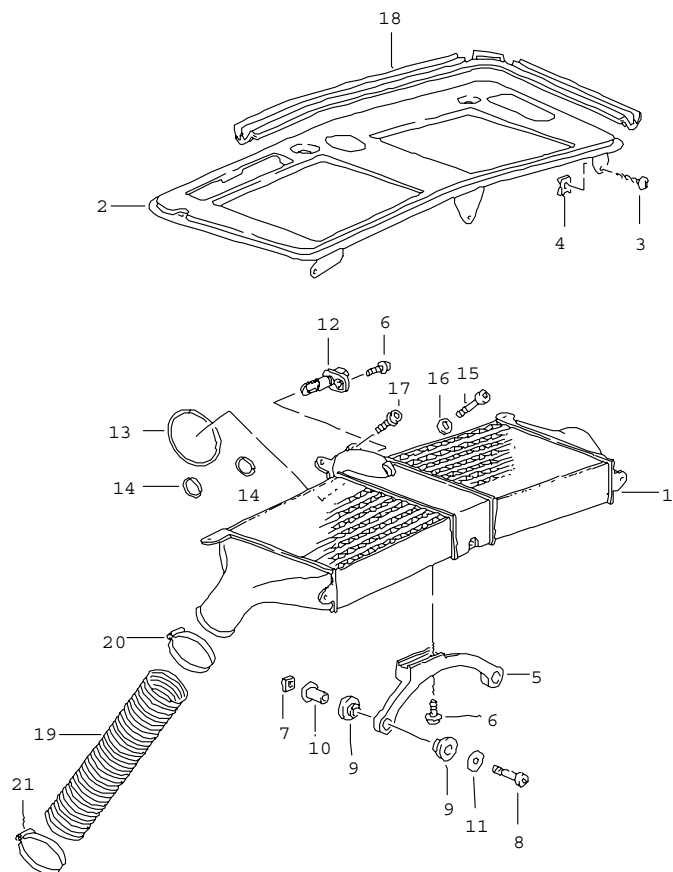


Pos	Part Number	Name	Remarks	Qty	Model
		turbocharging			TURBO
1	993 110 062 50	intake manifold		1	
2	900 123 019 30	sealing ring A 16 X 22		2	
3	900 915 005 02	connection piece A 12		2	
4	993 110 368 51	rubber sleeve		1	
5	999 512 539 00	hose clamp 90 - 110/9		2	
6	993 606 124 01	mass air flow		1	
7	999 652 777 40	rubber seal		1	
8	999 652 775 22	contact bush		1	
9	999 652 774 40	connector housing		1	
10	993 110 337 50	shut-off valve		2	
-	000 043 204 98	hose 25 X 5,0		*	
11	-	55 MM		2	
12	999 512 551 00	hose clamp 25 - 40/9		8 1	
13	911 606 407 00	grommet		5	
14	993 606 103 00	pressure transmitter		1	
15	900 123 106 30	sealing ring A 18 X 24		1	
16	999 512 317 00	clip 60 - 80/9		4 1	
17	993 110 693 52	rubber sleeve		2	
18	993 110 631 54	intake manifold	/L	1	
19	993 110 397 50	rubber sleeve		2	
20	999 512 349 02	hose clamp 50 - 70/9		4	
21	993 110 630 52	intake manifold	/R	1	
22	999 512 198 02	hose clamp 17 X 9		6	

Model	Year	MG	SG	Illustration	Restrictions	Update					
993	98	1	07	107-20		203	17:27	23.08.2006	PORSCHE	PET	PORSCHE

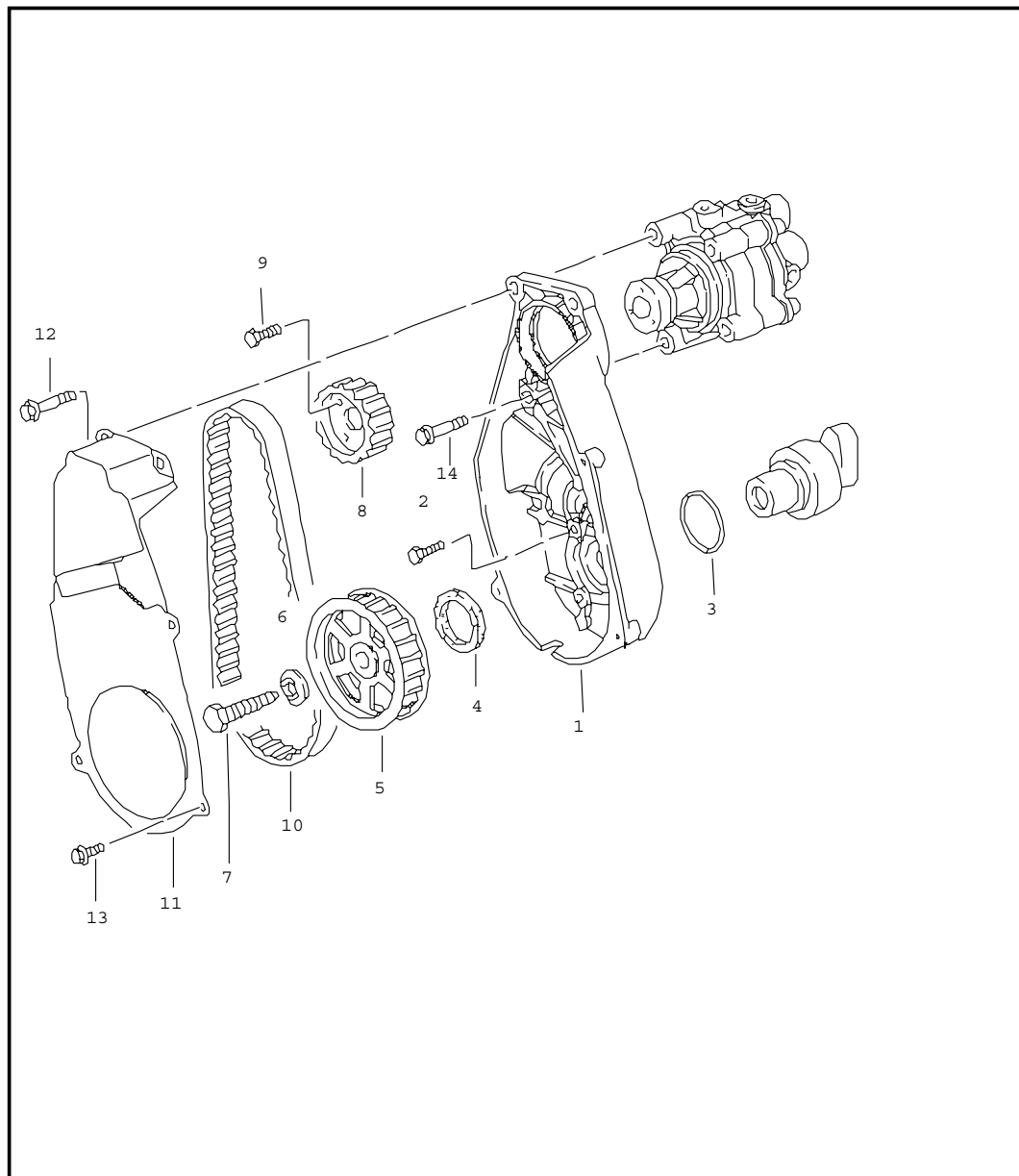
Pos	Part Number	Name	Remarks	Qty	Model	Pos	Part Number	Name	Remarks	Qty	Model
23	999 137 076 40	t-socket TS 10		2							
-	000 043 204 96	breather hose 10 X 15		*							
24	-	145 MM		2							
25	-	230 MM		1							
26	-	310 MM		1							
27	928 574 717 03	protective tube		3							
-	000 043 205 01	pipe 4 X 1		*							
28	-	350 MM		1							
29	-	230 MM		1							
30	-	400 MM		1							
31	993 110 113 52	hose	/L	1							
32	993 110 114 51	hose	/R	1							
33	999 137 088 40	distributing piece		1							
-	999 181 022 51	hose 12,0 X 4		*							
34	-	93 MM		1							
		- - - E N D - - -									

Model	Year	MG	SG	Illustration	Restrictions	Update	17:27	23.08.2006	PORSCHE	PET	PORSCHE
993	98	1	07	107-45		203					



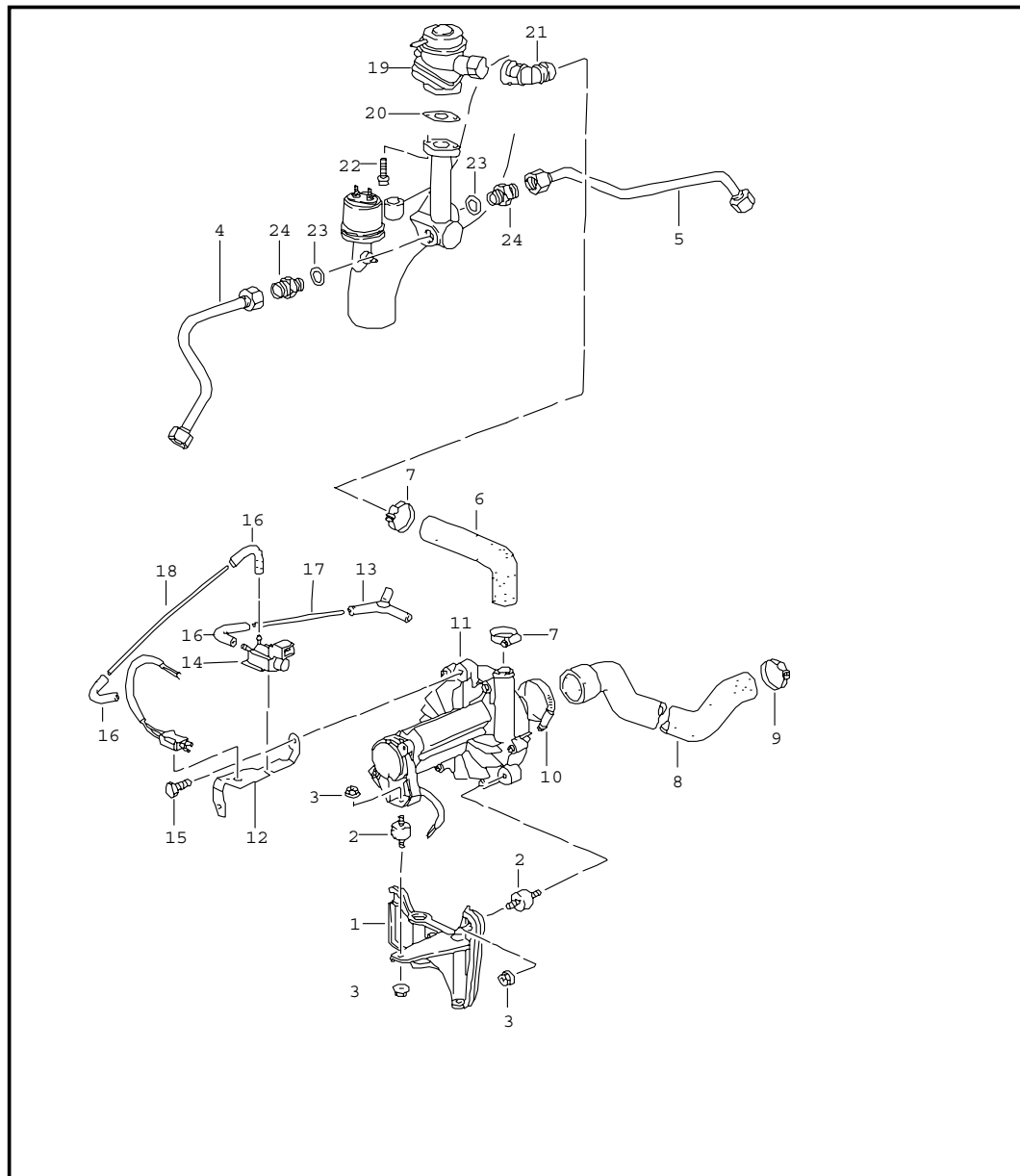
Pos	Part Number	Name	Remarks	Qty	Model
		charge air cooler			TURBO
1	993 110 330 53	charge air cooler		1	
2	993 110 340 53	air duct		1	
3	900 187 115 02	tapping screw ST 5,5 X 16		6	
4	999 507 478 02	speed nut ST 5,5		6	
5	993 110 110 50	bracket		1	
6	900 067 207 02	screw M 6 X 20		3	
7	964 126 311 00	nut		2	
8	N 014 715 3	pan-head screw M 8 X 45		2	
9	930 113 430 00	rubber mounting		4	
10	993 110 111 50	sleeve		2	
11	900 151 008 02	washer 8,4		4	
12	993 606 114 00	temperature sensor		1	
13	964 110 227 00	gasket		1	
14	999 707 326 40	o-ring 30 X 3		2	
15	900 067 142 02	pan-head screw M 8 X 110		1	
16	900 031 001 02	washer 8,4		1	
17	900 067 276 02	screw M 8 X35		2	
18	993 504 325 04	gasket		1	
19	993 110 633 56	pressure hose	/L	1	
(19)	993 110 632 56	pressure hose	/R	1	
20	999 512 648 02	hose clamp 60 - 80/12		2	
21	999 512 647 02	hose clamp 40 - 60/9		2	
- - - E N D - - -					

Model	Year	MG	SG	Illustration	Restrictions	Update	17:28	23.08.2006	PORSCHE	PET	PORSCHE
993	98	1	08	108-00		203					



Pos	Part Number	Name	Remarks	Qty	Model
		driving mechanism power-steering pump			
1	993 147 185 02	bracket		1	
2	999 217 113 02	hexagon-head bolt M 6 X 28		3	
3	999 707 293 40	o-ring 40 X 4		1	
4	999 113 463 40	shaft seal A 30 X 42 X 7		1	
5	993 147 081 00	gear wheel		1	
6	900 025 009 02	washer A 13		1	
7	900 082 072 01	hexagon-head bolt M 12 X 1,5 X 50		1	
8	993 147 183 02	gear wheel		1	
9	999 218 005 02	pan-head screw M 6 X 16		3	
10	993 147 187 01	toothed belt		1	
11	993 147 192 03	cover		1	
12	900 067 247 02	screw M 8 X 30		2	
13	900 075 355 02	screw M 6 X 16		3	
14	900 067 276 02	screw M 8 X 35		2	
		- - - E N D - - -			

Model	Year	MG	SG	Illustration	Restrictions	Update	17:28	23.08.2006	PORSCHE	PET	PORSCHE
993	98	1	08	108-07		203					

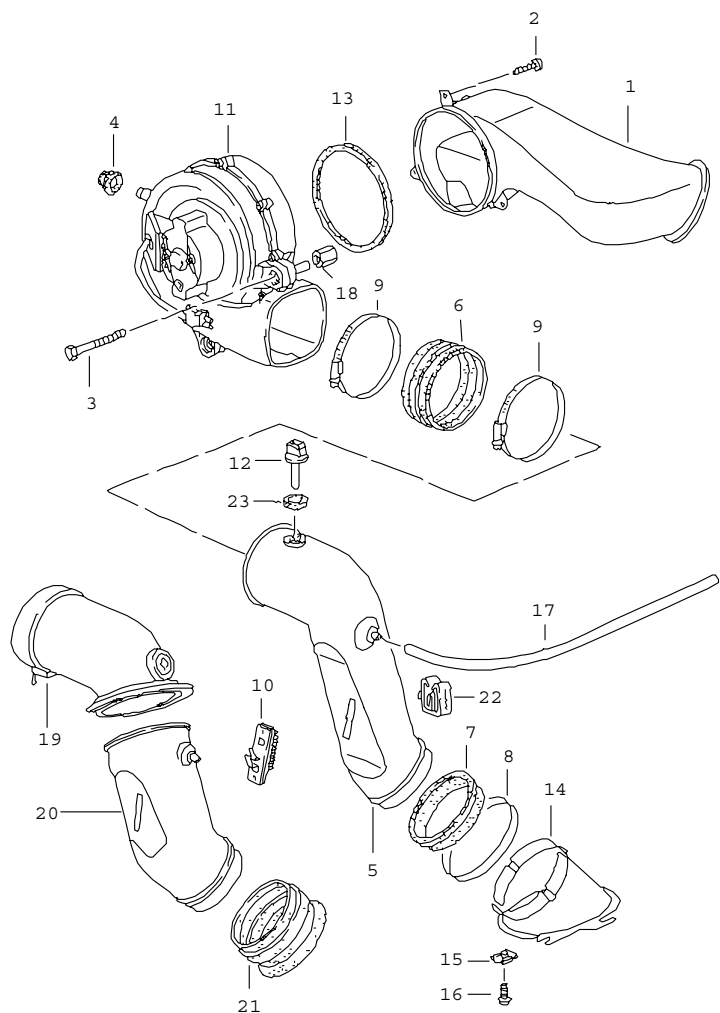


Pos	Part Number	Name	Remarks	Qty	Model
		air injection			TURBO
1	993 113 240 50	support		1	
2	999 703 396 00	bonded rubber buffer		3	
3	999 084 613 02	collar nut M 6		4	
4	993 113 275 55	air tube	/L	1	
5	993 113 288 53	air tube	/R	1	
6	993 113 255 53	hose		1	
7	999 512 507 02	hose clamp 20 - 32/9		2	
8	993 113 241 01	hose		1	
9	999 512 551 00	hose clamp 25 - 40/9		1	
10	999 512 499 00	hose clamp 32 - 50/9		1	
11	993 624 103 01	air pump		1	
12	993 624 113 00	support		1	
13	928 573 727 03	y-piece		1	
14	996 605 123 01	change-over valve		1	
15	N 010 210 13	hexagon-head bolt M 6 X 10		1	
16	928 574 717 03	protective tube		3	
-	N 020 139 11	pipe 4,0 X 1,0		*	
17	-	300 MM		1	
18	-	140 MM		1	
19	996 113 257 70	valve		1	
20	993 113 258 51	gasket		1	
21	999 230 499 40	connecting piece		1	
22	900 067 207 02	screw M 6 X 20		2	
23	900 123 019 30	sealing ring A 16 X 22		2	

Model	Year	MG	SG	Illustration	Restrictions	Update					
993	98	1	08	108-07		203	17:28	23.08.2006	PORSCHE	PET	PORSCHE

Pos	Part Number	Name	Remarks	Qty	Model	Pos	Part Number	Name	Remarks	Qty	Model
24	900 915 005 02	connection piece A 12		2							
		- - - E N D - - -									

Model	Year	MG	SG	Illustration	Restrictions	Update	17:28	23.08.2006	PORSCHE	PET	PORSCHE
993	98	1	08	108-10		203					

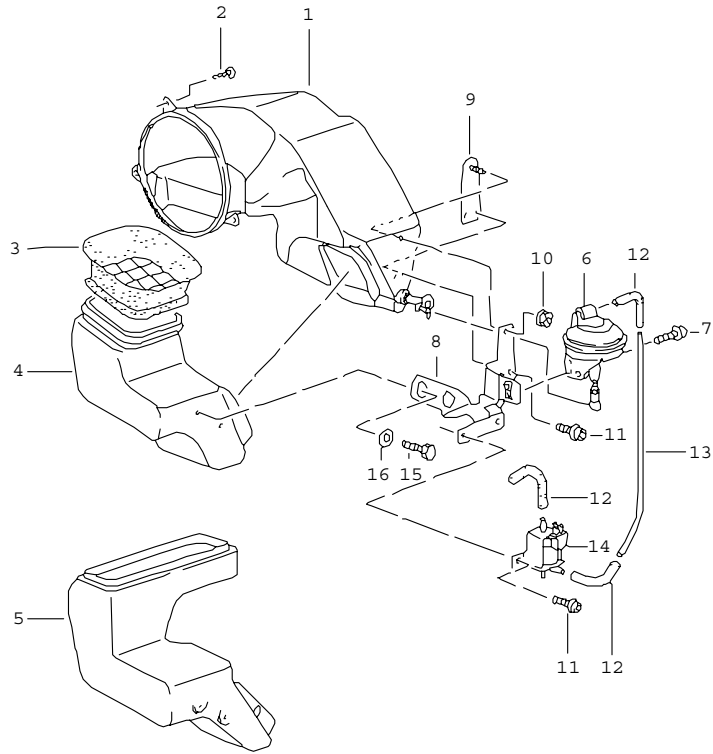


Pos	Part Number	Name	Remarks	Qty	Model
		additional blower			
1	964 211 323 03	hot air socket		1	
2	999 919 090 02	oval-head screw 5 X 14		3	
3	N 010 367 4	hexagon-head bolt M 6 X 60	-94	2	
3	900 074 358 02	screw M 6 X 65	95-	2	M64.05/06
				1	M64.07/08
				1	M64.20
3	900 074 365 02	screw M 6 X 80		2	M64.21/22
				1	M64.23/24
				1	M64.20
4	999 702 171 50	grommet 15 X 21 X 9,5		1	
5	993 211 341 03	hot-air manifold		1	M64.05/06
				1	M64.07/08
(5)	993 211 341 41	hot-air manifold		1	M64.20
				1	M003
(5)	993 211 341 53	hot-air manifold		1	M64.60
6	964 211 311 02	rubber sleeve		1	
7	993 211 350 00	rubber seal		1	
8	999 512 505 02	clip 102 X 12		1	
9	999 512 539 00	hose clamp 90-110		2	
10	964 616 550 02	series resistor		1	
11	993 624 328 01	blower		1	
12	964 659 120 00	outer sensor		1	
13	964 624 338 00	gasket		1	
14	993 211 034 01	connection piece		1	
15	999 507 447 09	speed nut M 6		4	
16	900 075 221 02	screw M 6 X 18		4	
-	000 043 204 78	hose 6,0 X 2,0		*	

Model	Year	MG	SG	Illustration	Restrictions	Update					
993	98	1	08	108-10		203	17:28	23.08.2006	PORSCHE	PET	PORSCHE

Pos	Part Number	Name	Remarks	Qty	Model	Pos	Part Number	Name	Remarks	Qty	Model
17	-	360 MM		1							
18	993 211 385 00	sleeve		1	M64.20/21/22 M64.23/24						
19	993 211 343 00	hose elbow		1	M64.20/21/22 M64.23/24						
20	993 211 346 01	connecting piece		1	M64.20/21/22 M64.23/24						
21	993 211 312 50	rubber sleeve		1	M64.60						
22	999 507 511 40	cable holder 6,0 - 8,0		1							
23	964 659 120 10	gasket		1							
		- - - E N D - - -									

Model	Year	MG	SG	Illustration	Restrictions	Update	17:28	23.08.2006	PORSCHE	PET	PORSCHE
993	98	1	08	108-12		203					

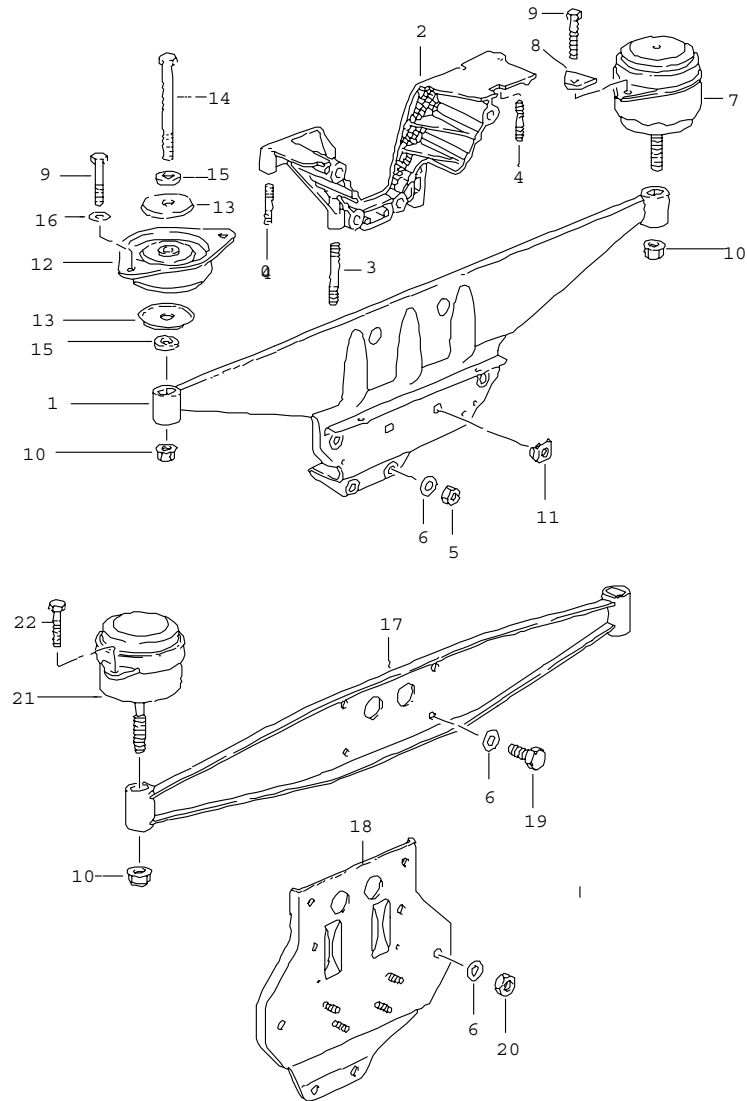


Pos	Part Number	Name	Remarks	Qty	Model
		fresh-air intake system			
1	A 993 211 085 00	hot air socket		1	M64.05/06 M64.07/08
1	993 211 085 01	hot air socket		1	M64.05/06 M64.07/08
1	993 211 085 02	hot air socket		1	M64.21/22 M64.23/24
1	993 211 085 51	hot air socket		1	M64.60
2	999 919 090 02	oval-head screw 5 X 14		3	
3	993 211 270 01	gasket		1	
3	993 211 270 40	gasket		1	M64.20
4	993 211 283 00	intake trumpet		1	
5	993 211 283 51	intake trumpet		1	M64.60
6	993 110 462 02	vacuum unit		1	
7	N 044 734 1	screw M 5 X 16		2	
8	993 211 259 02	support M	>> 61T 02071	1	M64.60
8	993 211 259 03	support M 61T 02072	>>	1	M64.60
9	993 211 260 00	retainer plate		1	
10	900 377 009 02	hexagon nut M 5		1	
11	900 067 255 02	screw M 5 X 12		4	
12	928 574 717 03	protective tube		3	
-	000 043 205 01	pipe 4 X 1,0		X	
13	-	195 MM		1	
14	911 618 123 01	change-over valve M	>> 61T 02071	1	M64.60
14	A 993 605 123 00	change-over valve		1	
14	996 605 123 01	change-over valve M 61T 02072	>>	1	M64.60

Model	Year	MG	SG	Illustration	Restrictions	Update						
993	98	1	08	108-12		203	17:28	23.08.2006	PORSCHE	PET	PORSCHE	

Pos	Part Number	Name	Remarks	Qty	Model	Pos	Part Number	Name	Remarks	Qty	Model
15	999 919 130 09	hexagon-head bolt 6,0 X 18		2							
16	900 151 006 09	washer 6,4		2							
		- - - E N D - - -									

Model	Year	MG	SG	Illustration	Restrictions	Update	17:28	23.08.2006	PORSCHE	PET	PORSCHE
993	98	1	09	109-00		203					



Pos	Part Number	Name	Remarks	Qty	Model
		engine suspension			
1	993 115 021 90	engine carrier		1	
1	993 115 021 41	engine carrier		1	RS
2	964 115 011 02	motor console		1	C2/C4/CABRIO
3	999 062 096 02	stud B M 6 X 40		1	
4	999 062 002 02	stud B M 6 X 15		3	
5	N 011 010 13	hexagon nut M 10		4	
6	900 025 008 09	washer A 10,5		8	
7	965 375 049 00	engine mounting	/L	1	C2/CABRIO
7	965 375 050 00	engine mounting	/R	1	C2/CABRIO
7	993 375 049 05	engine mounting		2	C4/CABRIO
8	964 375 110 00	washer		4	
9	900 074 134 02	hexagon-head bolt M 8 X 45		4	
10	999 084 215 09	lock nut M 12 X 1,5		2	
11	999 507 423 02	captive nut M 8		2	
12	964 375 043 81	engine mounting		2	RS
13	901 305 311 00	seat		4	RS
14	900 082 030 02	hexagon-head bolt M 12 X 1,5 X 105		2	RS
15	999 025 074 02	washer 12,4 X 34 X 5		4	RS
16	999 025 134 02	washer 8,4 X 21 X 3		4	RS
17	993 115 021 53	engine carrier		1	
18	993 115 103 52	motor console		1	

Model	Year	MG	SG	Illustration	Restrictions	Update	17:28	23.08.2006	PORSCHE	PET	PORSCHE
993	98	1	09	109-00		203					

Pos	Part Number	Name	Remarks	Qty	Model	Pos	Part Number	Name	Remarks	Qty	Model
19	900 075 040 02	hexagon-head bolt M 10 X 20		4							
20	N 011 010 6	hexagon nut M 10		4							
21	993 375 049 05	engine mounting		2							
22	900 378 055 09	hexagon-head bolt M 8 X 40		4							
		- - - E N D - - -									

Model	Year	MG	SG	Illustration	Restrictions	Update	17:29	23.08.2006
993	98	1	98	198-00		203		

Pos	Part Number	Name	Remarks	Qty	Model
>>	> 993 100 902 00	set of seals repair kits		1	
		set of seals cylinder cylinder head			
		order also: for M64.20 999 705 022 41 993 110 723 40		6 6	
		for M64.60 999 707 326 40 944 111 205 01 965 111 205 00 900 123 019 30 999 707 320 40 900 123 140 30 999 701 598 40		2 2 2 2 2 2 2	
		comprising:			
-	999 707 152 40	o-ring 102 X 2		6	
-	993 104 111 01	valve stem seal		12	
-	000 043 204 48	sleeve		2	
-	993 105 193 00	gasket		2	
-	964 105 177 03	gasket		2	
-	964 105 181 01	gasket		1	
-	964 105 181 01	gasket		1	
-	999 707 288 40	o-ring 6 X 2,5		2	
-	964 105 140 01	thrust ring		18	
-	900 067 238 02	screw M 6 X 30		38	
-	993 105 173 02	gasket		6	
-	993 105 135 02	gasket		2	
-	999 707 313 40	o-ring 67,2 X 5,77		2	
-	900 123 131 30	sealing ring A 16 X 20		4	
-	930 105 197 05	gasket		2	
-	993 110 713 01	sealing ring		6	

Model	Year	MG	SG	Illustration	Restrictions	Update	17:29	23.08.2006
993	98	1	98	198-00		203		

Pos	Part Number	Name	Remarks	Qty	Model
-	999 707 293 40	o-ring 40 X 4		1	
-	999 113 463 40	shaft seal A 30 X 42 X 7		1	
-	993 111 195 00	sealing ring		6	
-	930 111 192 06	gasket		2	
-	999 707 112 40	round seal 25 X 6		8	
-	964 104 115 20	cylinder head gasket		6	
-	999 084 094 02	lock nut M 6		26	
-	999 084 052 02	lock nut M 8		14	
-	999 704 172 50	sealing ring 16,3 X 22		2	
-	999 707 316 40	o-ring 21,89 X 2,62		2	
-	999 707 305 40	o-ring 8,2 X 2,8		4	
-	999 701 449 40	o-ring 8,3 X 2,4		4	
-	928 111 127 02	gasket		2	
-	000 043 204 47	sleeve		2	
>>	> 930 100 901 04	set of seals crankcase comprising:		1	
-	999 704 172 50	sealing ring 16,3 X 22		3	
-	999 701 006 40	o-ring 8 X 2		26	
-	999 113 426 41	radial sealing ring 90 X 110 X 12		1	
-	900 123 118 30	sealing ring A 22 X 27		1	
-	999 113 290 41	radial sealing ring 30 X 50 X 10		1	
-	999 707 285 40	round seal 51 X 4,5		1	
-	900 123 141 30	sealing ring A 25 X 30		1	

Model	Year	MG	SG	Illustration	Restrictions	Update	17:29	23.08.2006
993	98	1	98	198-00		203		

Pos	Part Number	Name	Remarks	Qty	Model
-	900 123 140 30	sealing ring A 18 X 22		1	
-	999 704 173 50	sealing ring 19,5 X 26		1	
-	999 707 314 40	o-ring 39,2 X 3		1	
-	900 123 106 30	sealing ring A 18 X 24		2	
-	930 107 791 02	gasket		1	
-	911 602 102 01	sealing ring		1	
-	900 123 007 30	sealing ring A 14 X 18		2	
-	999 707 315 40	round seal 33,3 X 2,4		1	
-	900 031 011 30	washer 6,4		3	
-	999 084 095 02	lock nut M 8		26	
-	900 025 007 02	washer A 8,4		25	
-	930 101 391 01	gasket		2	
-	901 102 191 00	sealing ring		1	
-	930 105 198 01	gasket		1	
-	900 123 005 00	sealing ring A 12 X 16		4	
-	900 123 009 20	sealing ring A 18 X 24		1	
-	900 123 011 20	sealing ring A 22 X 27		1	
-	900 123 066 30	sealing ring A 10 X 16		8	
-	900 123 011 30	sealing ring A 22 X 27		1	
-	999 707 305 40	o-ring 8,2 X 2,8		4	
>>	> 993 100 901 00	maintenance set for periodic maintenance 40 000KM 24 000 MLS comprising:		1	

Model	Year	MG	SG	Illustration	Restrictions	Update	17:29	23.08.2006
993	98	1	98	198-00		203		

Pos	Part Number	Name	Remarks	Qty	Model
-	993 110 327 00	filter element		1	
-	993 207 201 02	oil filter		1	
-	993 107 203 03	oil filter		1	
-	999 170 195 90	spark plug		12	
-	900 123 118 30	sealing ring		2	
-	993 572 479 00	particle filter		2	
-	999 707 316 40	o-ring 21,89 X 2,62		2	
-	999 701 269 40	o-ring 11 X 2,5		1	
-	999 707 309 40	o-ring 26 X 1		1	
>>	> 930 107 040 01	repair kit oil tube divided comprising: oil tube oil tube		1 1 1	
-	900 041 013 01	circlip		1	
-	999 707 112 40	round seal 25 X 6		2	
-	999 707 113 40	round seal 20,22 X 3,53		2	
>>	> 993 103 975 01	1 set connecting rods		1	
>>	> 993 103 925 06	set of piston rings		1	
>>	> 993 103 925 40	set of piston rings		1	M64.20
>>	> 993 103 925 51	set of piston rings		1	M64.60
>>	> 964 101 901 00	set of crankshaft bearings comprising:		1	
-	930 101 131 15	bearing shell I		2	
-	930 101 132 15	bearing shell II-VII		12	
-	964 101 138 01	bearing sleeve VIII		1	

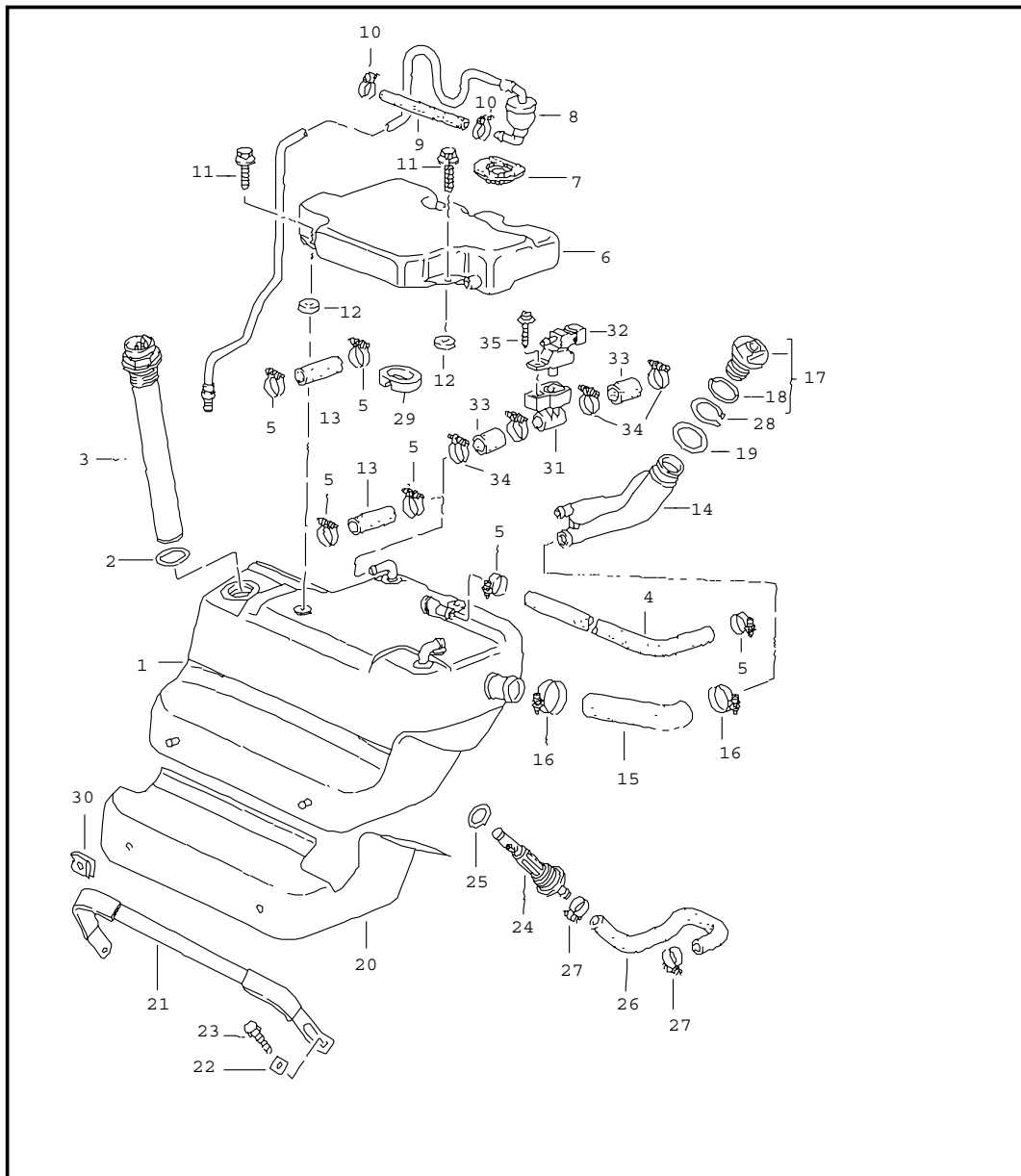
Model	Year	MG	SG	Illustration	Restrictions	Update	17:29	23.08.2006
993	98	1	98	198-00		203		

Pos	Part Number	Name	Remarks	Qty	Model
>>	> 964 101 901 51	set of crankshaft bearings oversize inner 0,25 MM comprising:		1	
-	930 101 131 51	bearing shell I		2	
-	930 101 132 51	bearing shell II-VII		12	
-	964 101 138 54	bearing sleeve VIII		1	
>>	> 964 101 901 56	set of crankshaft bearings oversize inner 0,50 MM comprising:		1	
-	930 101 131 56	bearing shell I		2	
-	930 101 132 56	bearing shell II-VII		12	
-	964 101 138 55	bearing sleeve VIII		1	
>>	> 964 101 901 61	set of crankshaft bearings oversize outer 0,25 MM comprising:		1	
-	930 101 131 61	bearing shell I		2	
-	930 101 132 61	bearing shell II-VII		12	
-	964 101 138 65	bearing sleeve VIII		1	
>>	> 964 101 901 71	set of crankshaft bearings oversize inner 0,25 MM oversize outer 0,25 MM comprising:		1	
-	930 101 131 71	bearing shell I		2	
-	930 101 132 71	bearing shell II-VII		12	

Model	Year	MG	SG	Illustration	Restrictions	Update		
993	98	1	98	198-00		203	17:29	23.08.2006

Pos	Part Number	Name	Remarks	Qty	Model
-	964 101 138 66	bearing sleeve VIII		1	
>>	> 964 101 901 76	set of crankshaft bearings oversize inner 0,50 MM oversize outer 0,25 MM comprising:		1	
-	930 101 131 76	bearing shell I		2	
-	930 101 132 76	bearing shell II-VII		12	
-	964 101 138 67	bearing sleeve VIII		1	
- - - E N D - - -					

Model	Year	MG	SG	Illustration	Restrictions	Update	17:29	23.08.2006	PORSCHE	PET	PORSCHE
993	98	2	01	201-00		203					

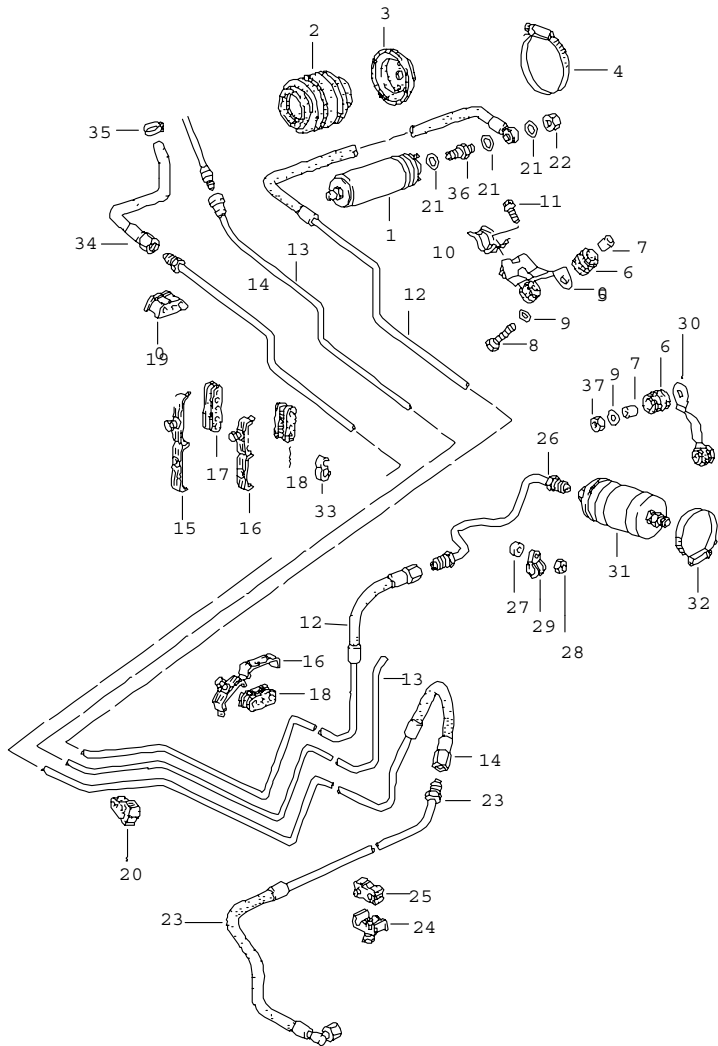


Pos	Part Number	Name	Remarks	Qty	Model
		fuel tank			
1	993 201 021 00	fuel tank	/LL	1	
1	993 201 021 01	fuel tank 92L	/LL -94	1	M 545
1	993 201 021 03	fuel tank 92L	/LL 95-	1	M 545
(1)	993 201 022 00	fuel tank	/RL	1	
2	999 707 115 40	o-ring 44 X 4		1	
3	964 641 801 02	tank gauge		1	
4	964 201 415 00	hose		1	
5	999 512 237 02	hose clamp 26 X 9		6	
6	964 201 077 04	expansion tank		1	
6	964 201 077 03	expansion tank		1	M 545
7	964 201 375 00	grommet		1	
8	964 201 061 00	vent line with shut-off valve	/LL	1	
(8)	964 201 062 00	vent line with shut-off valve	/RL	1	
-	000 043 205 02	hose 9,5 X 15,5		*	
9	-	180 MM		1	
(9)	964 201 545 02	fuel hose		1	M 545
10	999 512 525 00	hose clamp 14 X 9		2	
11	900 075 335 02	screw M 6 X 22		3	
12	999 703 362 40	sleeve		3	
-	000 043 205 03	hose 20 X 26		*	
13	-	80 MM		2	
13	-	125 MM		1	M 545

Model	Year	MG	SG	Illustration	Restrictions	Update					
993	98	2	01	201-00		203	17:29	23.08.2006	PORSCHE	PET	PORSCHE

Pos	Part Number	Name	Remarks	Qty	Model	Pos	Part Number	Name	Remarks	Qty	Model
14	993 201 043 00	filler neck		1							
14	993 201 043 01	filler neck		1	M 150 (J)						
15	964 201 287 03	hose		1							
16	999 512 595 00	hose clamp 25 - 40		2							
17	993 201 271 00	fuel tank cap		1							
18	191 201 557	gasket		1							
19	993 201 301 00	desk pad		1							
20	964 201 331 04	protection cap	/LL	1							
20	993 201 331 00	protection cap	/LL	1	M 545						
(20)	964 201 332 02	protection cap	/RL	1							
21	993 201 103 01	restraining strap	/LL	1							
21	993 201 104 00	restraining strap	/RL	1							
21	993 201 103 02	restraining strap	/LL	1	M 545						
22	964 201 387 00	plate		1							
23	900 075 414 08	hexagon-head bolt M 8 X 40		1							
24	928 201 081 04	fuel filter		1							
25	928 201 187 02	sealing ring		1							
26	964 201 581 03	suction hose	/LL	1							
(26)	964 201 582 02	suction hose	/RL	1							
27	N 023 565 3	hose clamp 21 X 9ZV		2							
28	999 041 039 09	snap ring 57 X 2		1							
29	964 201 376 00	spacer rubber		1							
30	N 012 653 3	lock washer		2							
-	964 201 153 00	overflow hose for filler neck		1							
		- - - E N D - - -									

Model	Year	MG	SG	Illustration	Restrictions	Update	17:29	23.08.2006	PORSCHE	PET	PORSCHE
993	98	2	01	201-05		203					

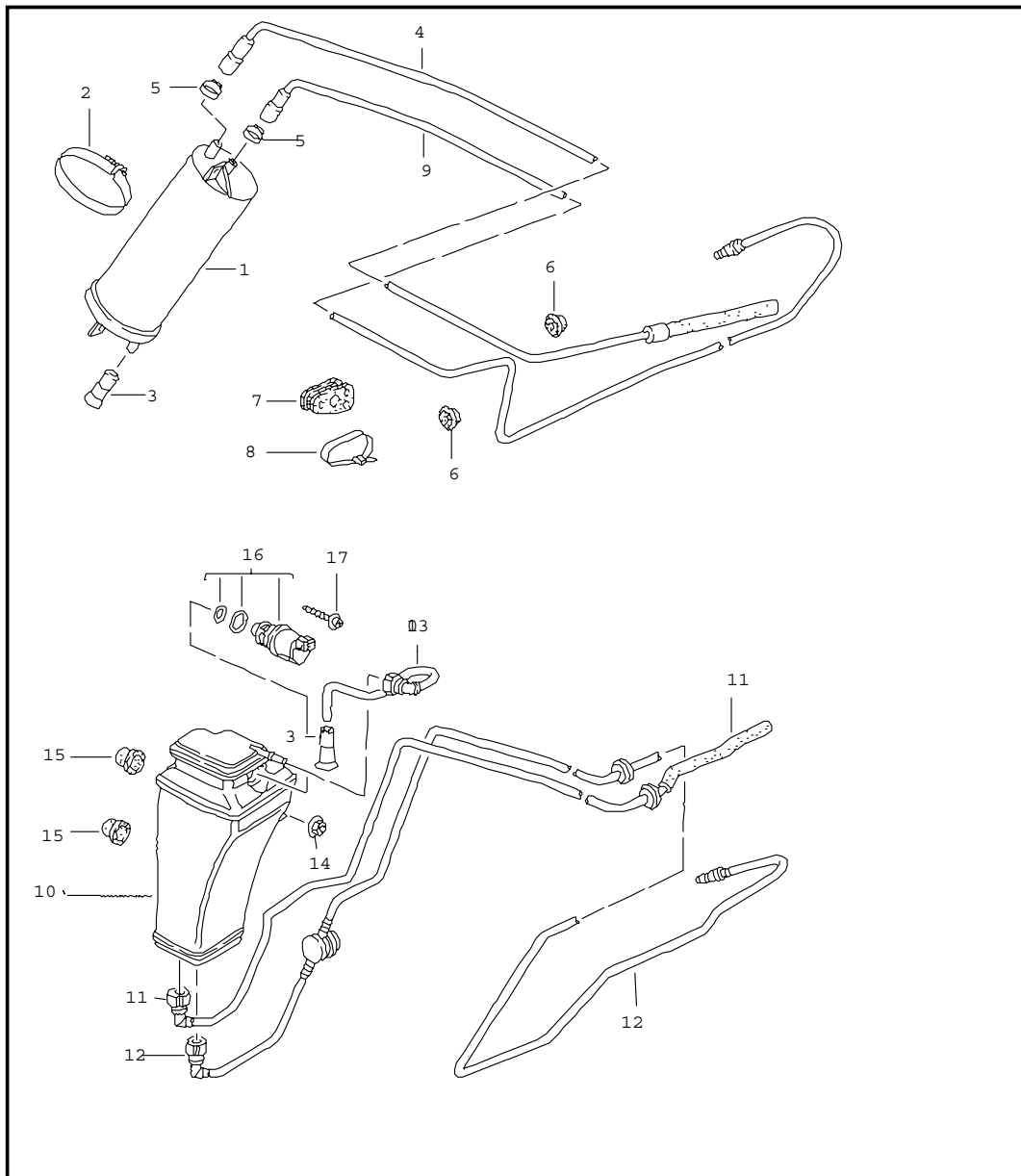


Pos	Part Number	Name	Remarks	Qty	Model
		fuel system			
1	964 620 104 00	fuel pump		1	
2	965 356 391 01	housing		1	
3	965 356 389 00	cap		1	
4	999 512 397 00	hose clamp 80-100		1	
5	964 356 249 03	support		1	
6	964 356 635 00	rubber mounting		5	
7	928 355 633 00	bush		5	
8	900 075 017 02	hexagon-head bolt M 6 X 25		3	
9	900 151 003 02	washer A 6,4		5	
10	964 201 577 01	bearing		1	
11	900 075 393 02	screw M 6 X 12		1	
12	993 356 061 03	fuel line	/LL -94	1	
12	993 356 061 03	fuel line	/LL 95-	1	
(12)	993 356 062 01	fuel line	/RL	1	
13	993 201 091 02	vent line	/LL -96	1	
13	993 201 091 02	vent line	/LL 97-	1	
(13)	993 201 092 02	vent line	/RL -96	1	
(13)	993 201 092 02	vent line	/RL 97-	1	
14	993 356 063 02	return line	/LL -94	1	
14	993 356 063 02	return line	/LL 95-	1	
(14) A	993 356 064 04	return line	/RL -94	1	
(14)	993 356 064 08	return line	/RL -95	1	CARRERA
(14)	993 356 064 08	return line	/RL 96-	1	CARRERA
(14)	993 356 064 07	return line	/RL	1	TURBO
15	964 356 593 00	clamp	/LL	6	
16	964 356 555 00	clamp	/RL	6	

Model	Year	MG	SG	Illustration	Restrictions	Update	17:29	23.08.2006	PORSCHE	PET	PORSCHE
993	98	2	01	201-05		203					

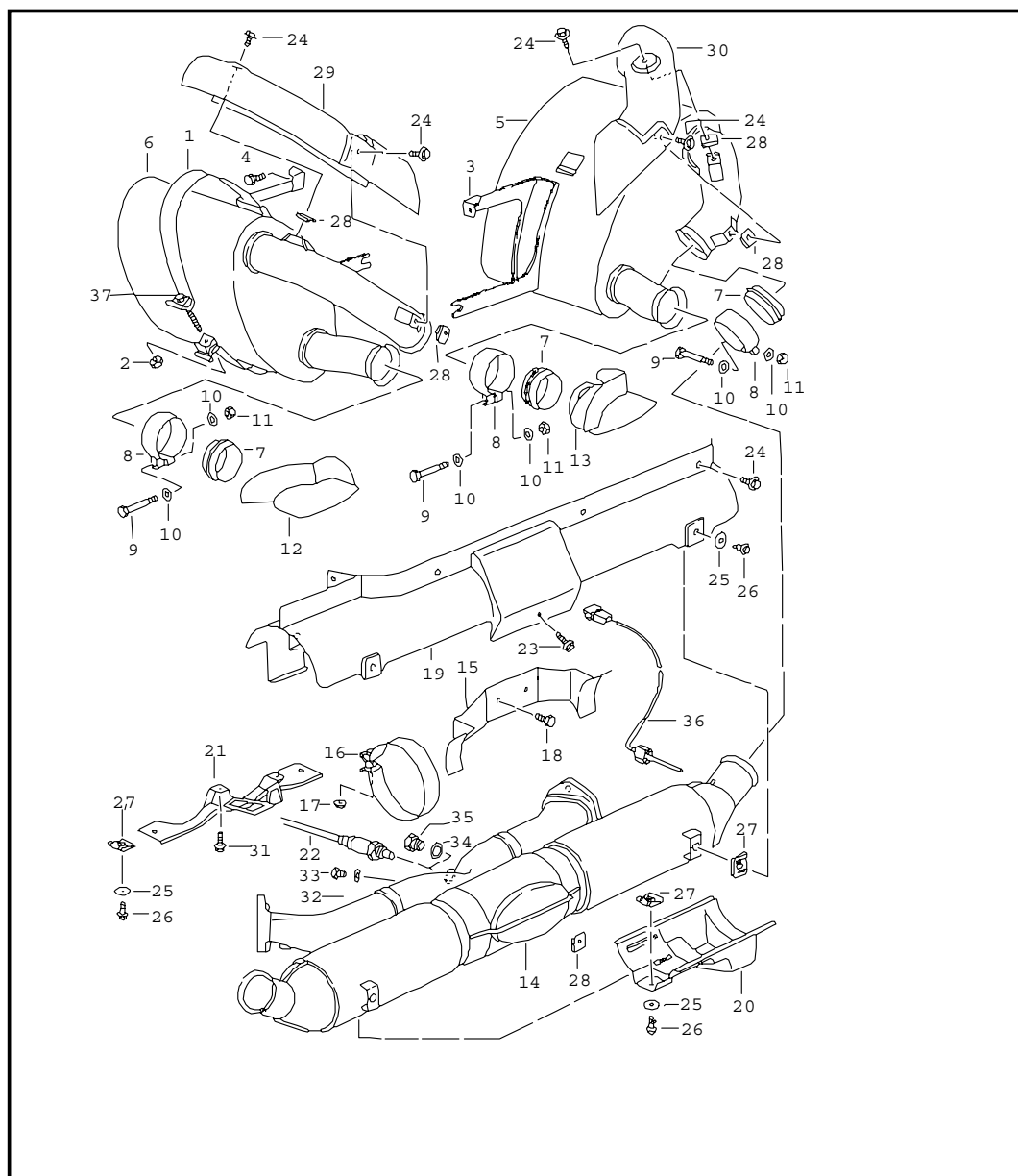
Pos	Part Number	Name	Remarks	Qty	Model	Pos	Part Number	Name	Remarks	Qty	Model
17	964 356 595 00	rubber mounting	/LL	6				- - - E N D - - -			
18	964 356 557 00	rubber mounting		7							
19	964 356 559 00	rubber mounting		1							
20	964 356 569 00	rubber mounting		1							
21	900 123 055 20	sealing ring A 12 X 17		2							
22	928 110 475 01	cap nut		1							
23	993 356 367 08	return line	/LL -95	1	CARRERA						
23	993 356 367 08	return line	/LL 96-	1	CARRERA						
23	993 356 367 07	return line	/LL	1	TURBO						
24	928 356 555 00	clamp		2							
25	928 356 525 01	rubber mounting		2							
26	993 356 065 01	pressure line	/LL	1							
(26)	993 356 066 02	pressure line	/RL	1							
27	999 209 005 40	sleeve		1							
28	900 076 010 02	hexagon nut M 6		1							
29	999 511 116 02	clamp B 10 X 15		1							
30	993 356 511 00	support		1							
31	928 110 253 04	fuel filter		1	(AG) (SA)						
31	928 110 253 06	fuel filter		1							
32	999 512 390 00	hose clamp 60-80/13		1							
33	964 356 521 00	dual clip		3							
34	964 356 583 02	return line	LL	1							
(34)	964 356 584 01	return line	RL	1							
35	N 023 569 2	hose clamp AG 16 X 9 ZY		1							
36	964 620 951 00	retaining valve		1							
37	999 045 004 40	hexagon nut M 6		2							

Model	Year	MG	SG	Illustration	Restrictions	Update	17:29	23.08.2006	PORSCHE	PET	PORSCHE
993	98	2	01	201-20		203					



Pos	Part Number	Name	Remarks	Qty	Model
		carbon canister			
1	993 201 221 01	carbon canister	-94	1	
1	993 201 221 01	carbon canister	95-	1	
2	999 512 506 02	clip 106 X 25		1	
3	928 201 195 02	end piece		1	
4	993 201 131 02	vent line	-95	1	
4	993 201 131 02	vent line	96-	1	
5	999 512 265 02	hose clamp 17,0 - 17,9		2	
6	999 702 084 50	rubber sleeve		2	
7	964 201 615 00	rubber mounting		1	
8	999 513 010 40	tie-wrap 9 X 250		1	
9	993 201 133 04	vent line	/LL	1	
(9)	993 201 133 05	vent line	/RL	1	
		- - - E N D - - -			

Model	Year	MG	SG	Illustration	Restrictions	Update	17:30	23.08.2006	PORSCHE	PET	PORSCHE
993	98	2	02	202-00		203					



Pos	Part Number	Name	Remarks	Qty	Model
		exhaust system muffler catalytic converter see technical information group 2 NR. 2/ 98			CARRERA
1	993 111 119 04	restraining strap	-94	2	
1	993 111 119 07	restraining strap	95-	2	
2	900 910 022 02	lock nut VF M 8		2	
(3)	993 111 113 06	bracket	/L	1	
3	993 111 114 06	bracket	/R	1	
4	900 074 356 02	screw M 8 X 20		2	
5	993 111 046 11	muffler BISCHOFF	/R	1	
5	993 111 046 11	muffler GILLET	/R	1	
5	993 111 046 10	muffler BISCHOFF	/R	1	M64.20
5	993 111 046 10	muffler GILLET	/R	1	M64.20
6	993 111 045 11	muffler BISCHOFF	/L	1	
6	993 111 045 11	muffler GILLET	/L	1	
6	993 111 045 10	muffler BISCHOFF	/L	1	M64.20
6	993 111 045 10	muffler GILLET	/L	1	M64.20
7	928 111 246 05	sealing ring		4	
8	928 111 427 00	clip		4	
9	900 074 252 02	hexagon-head bolt M 8 X 65		4	
10	999 025 125 09	washer 8,4 X 17 X 3,0		8	
11	999 084 052 02	lock nut M 8		4	

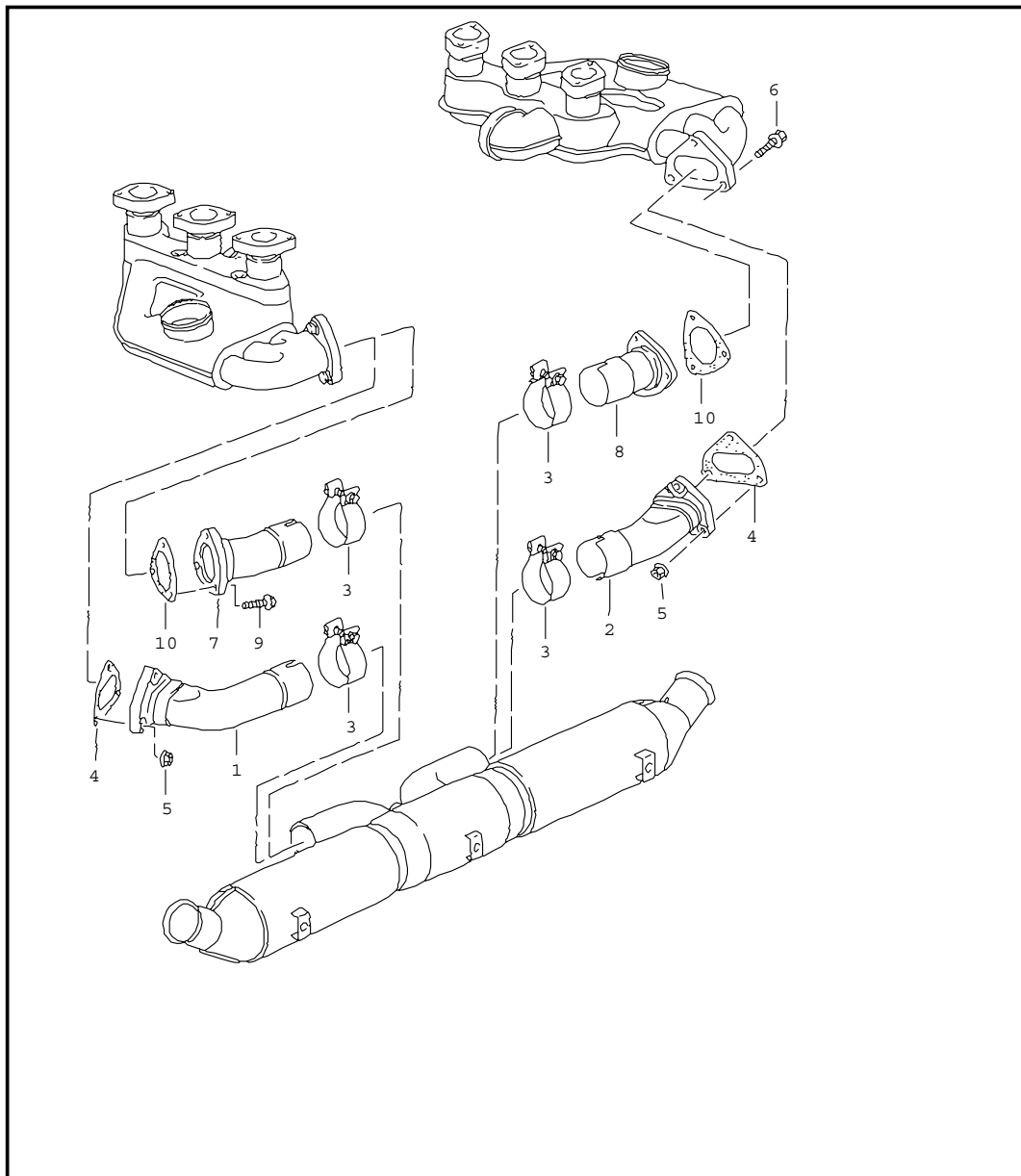
Model	Year	MG	SG	Illustration	Restrictions	Update	17:30	23.08.2006	PORSCHE	PET	PORSCHE
993	98	2	02	202-00		203					

Pos	Part Number	Name	Remarks	Qty	Model	Pos	Part Number	Name	Remarks	Qty	Model
12	993 111 251 02	tail pipe	/L -95	1		18	900 075 364 02	screw M 8 X 16		2	
12	993 111 251 03	tail pipe	/L -95	1	M 159	19	993 211 214 02	heat protection plate		1	
12	993 111 251 10	tail pipe	/L 96-	1	M 493	20	A 993 113 227 02	catalytic converter cover		2	(J)
12	993 111 251 11	tail pipe	/L 96-	1	M 493/M 159	20	993 113 227 02	catalytic converter cover		2	(J)
12	993 111 251 51	tail pipe	/L 96-	1	M 491/M 495	21	A 993 119 106 02	support		1	
12	993 111 251 52	tail pipe	/L 96-	1	M 491/M 159 M 495/M 159	21	993 119 106 02	support		1	
13	993 111 252 02	tail pipe	/R -95	1		22	993 606 126 01	oxygen sensor	-96	1	
13	993 111 252 03	tail pipe	/R -95	1	M 159	22	993 606 126 01	oxygen sensor	97-	1	
13	993 111 252 10	tail pipe	/R 96-	1	M 493	23	900 075 392 00	screw M 6 X 18		1	
13	993 111 252 11	tail pipe	/R 96-	1	M 493/M 159	24	900 075 374 02	screw M 6 X 14		8	
13	993 111 252 51	tail pipe	/R 96-	1	M 491/M 495	25	900 151 007 02	washer 7,4		10	
13	993 111 252 52	tail pipe	/R 96-	1	M 491/M 159 M 495/M 159	26	999 507 430 09	locking bolt 6 X 12		10	
14	993 113 213 16	catalytic converter BISCHOFF		1		27	999 507 413 09	support 6		10	
(14)	993 113 213 38	catalytic converter GILLET	-96	1		28	999 507 073 00	nut lock M 6		1	
(14)	993 113 213 38	catalytic converter GILLET	97-	1		29	A 993 211 215 03	heat protection plate	/L	1	
14	993 113 213 17	catalytic converter BISCHOFF		1	(J)	29	993 211 215 03	heat protection plate	/L	1	
(14)	993 113 213 37	catalytic converter GILLET	-96	1	(J)	30	A 993 211 216 03	heat protection plate	/R	1	
(14)	993 113 213 37	catalytic converter GILLET	97-	1	(J)	30	993 211 216 03	heat protection plate	/R	1	
14	993 113 213 21	catalytic converter BISCHOFF		1	M64.20 (AUS)	31	900 075 448 02	screw M 6 X 14		2	
(14)	993 113 213 34	catalytic converter GILLET		1	M64.20 (AUS)	32	900 123 050 20	sealing ring A 8 X 11,5		1	
15	993 113 223 02	bracket		1		33	900 083 080 00	screw plug M 8 X 1 X 10		1	
16	993 113 225 01	restraining strap		2		34	900 123 009 20	sealing ring A 18 X 24		1	M 150
17	900 910 022 02	lock nut VF M 8		2		35	900 219 015 00	screw plug M 18 X 1,5		1	M 150

Model	Year	MG	SG	Illustration	Restrictions	Update					
993	98	2	02	202-00		203	17:30	23.08.2006	PORSCHE	PET	PORSCHE

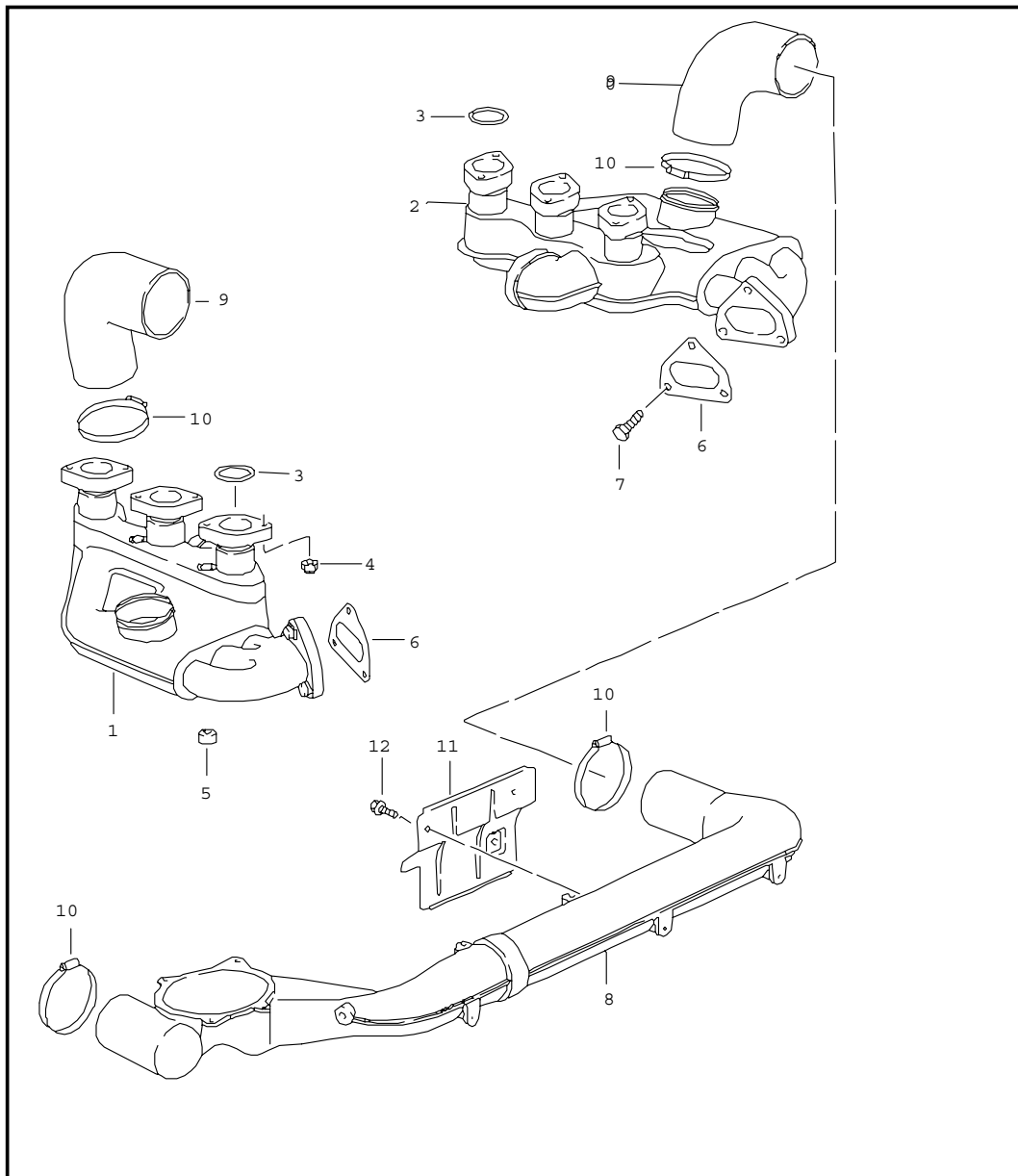
Pos	Part Number	Name	Remarks	Qty	Model	Pos	Part Number	Name	Remarks	Qty	Model
36	993 606 115 00	temperature sensor		1	(J)						
37	900 067 362 02	pan-head screw AM 8 X 50		2							
		- - - E N D - - -									

Model	Year	MG	SG	Illustration	Restrictions	Update	17:30	23.08.2006	PORSCHE	PET	PORSCHE
993	98	2	02	202-01		203					



Pos	Part Number	Name	Remarks	Qty	Model
		exhaust system repair kits see technical information group 2 NR. 2/98			CARRERA
1	993 113 913 00	adapter	/L	1	
2	993 113 913 10	adapter	/R	1	
3	996 111 109 50	clip		2	
4	930 111 192 06	gasket		2	
5	999 084 052 02	lock nut M 8		6	
6	900 074 282 02	hexagon-head bolt M 8 X 37		6	
7	993 211 939 00	adapter	/L	1	
8	993 211 940 00	adapter	/R	1	
9	993 113 216 00	hexagon-head bolt M 8 X 25		6	
10	928 111 127 02	gasket		2	
- - - E N D - - -					

Model	Year	MG	SG	Illustration	Restrictions	Update	17:30	23.08.2006	PORSCHE	PET	PORSCHE
993	98	2	02	202-05		203					

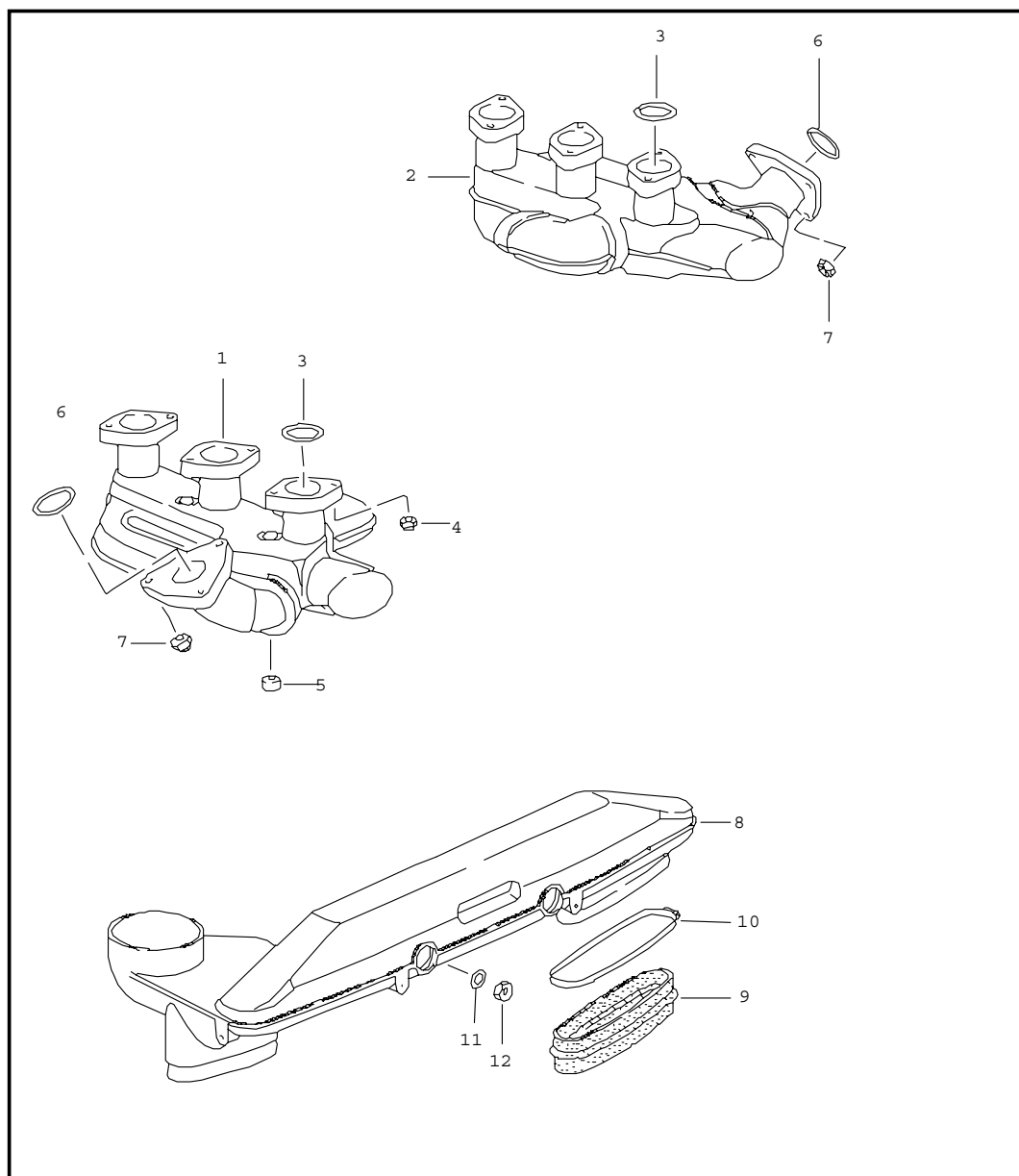


Pos	Part Number	Name	Remarks	Qty	Model
		exhaust system heat exchanger see technical information group 2 NR. 2/ 98			CARRERA
1	A 993 211 039 05	heat exchanger BISCHOFF	/L	1	
1	993 211 039 10	heat exchanger BISCHOFF	/L	1	
1	993 211 039 10	heat exchanger GILLET	/L	1	
2	A 993 211 040 05	heat exchanger BISCHOFF	/R	1	
2	993 211 040 07	heat exchanger BISCHOFF	/R	1	
2	993 211 040 10	heat exchanger GILLET	/R	1	
3	A 993 111 195 00	sealing ring		6	
3	993 111 195 00	sealing ring		6	
4	999 084 052 02	lock nut M 8		12	
5	999 085 001 02	socket head nut M 8		5	
6	930 111 192 06	gasket for BISCHOFF		2	
6	928 111 127 02	gasket for GILLET		2	
7	900 074 282 02	hexagon-head bolt M 8 X 37	-96	6	
7	993 113 216 00	hexagon-head bolt M 8 X 25	97-	6	
8	993 211 360 00	air control tube	-94	1	
8	993 211 360 00	heating tube	95-	1	
9	993 211 339 02	heater hose	-96	2	
9	993 211 339 03	heater hose	/R 97-	2	
9	993 211 339 04	heater hose	/L 97-	2	

Model	Year	MG	SG	Illustration	Restrictions	Update	17:30	23.08.2006	PORSCHE	PET	PORSCHE
993	98	2	02	202-05		203					

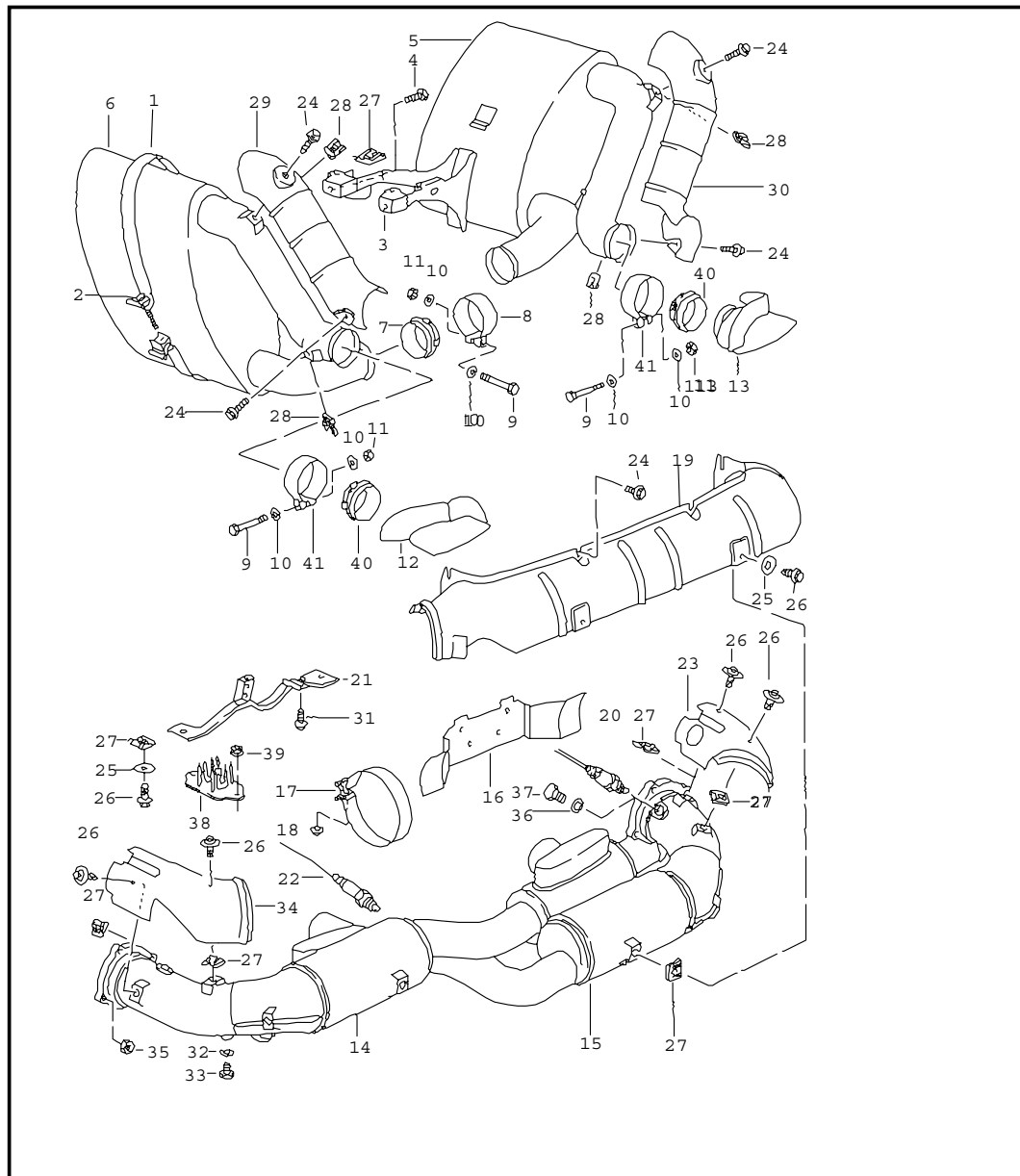
Pos	Part Number	Name	Remarks	Qty	Model	Pos	Part Number	Name	Remarks	Qty	Model
10	999 512 351 02	hose clamp 70 - 90		4							
11	993 211 213 04	heat protection plate	-95	1							
11	993 211 213 04	heat protection plate	96-	1							
12	900 075 354 00	screw M 6 X 16		2							
		- - - E N D - - -									

Model	Year	MG	SG	Illustration	Restrictions	Update	17:30	23.08.2006	PORSCHE	PET	PORSCHE
993	98	2	02	202-10		203					



Pos	Part Number	Name	Remarks	Qty	Model
		exhaust system heat exchanger			TURBO
1	A 993 211 039 55	heat exchanger	/L -97	1	
1	993 211 039 55	heat exchanger	/L 98-	1	
2	A 993 211 040 55	heat exchanger	/R -97	1	
2	993 211 040 55	heat exchanger	/R 98-	1	
3	993 111 195 00	sealing ring		6	
4	999 084 052 02	lock nut M 8		8	
5	999 085 001 02	socket head nut M 8		4	
6	944 111 205 01	sealing ring		2	
7	999 084 627 02	lock nut M 8		6	
8	993 211 036 56	heating tube		1	
9	993 211 313 52	rubber sleeve		2	
10	999 512 539 00	hose clamp 90 - 110/9		4	
11	900 025 007 02	washer A 8,4		2	
12	900 076 025 02	hexagon nut M 8		2	
- - - E N D - - -					

Model	Year	MG	SG	Illustration	Restrictions	Update	17:31	23.08.2006	PORSCHE	PET	PORSCHE
993	98	2	02	202-15		203					

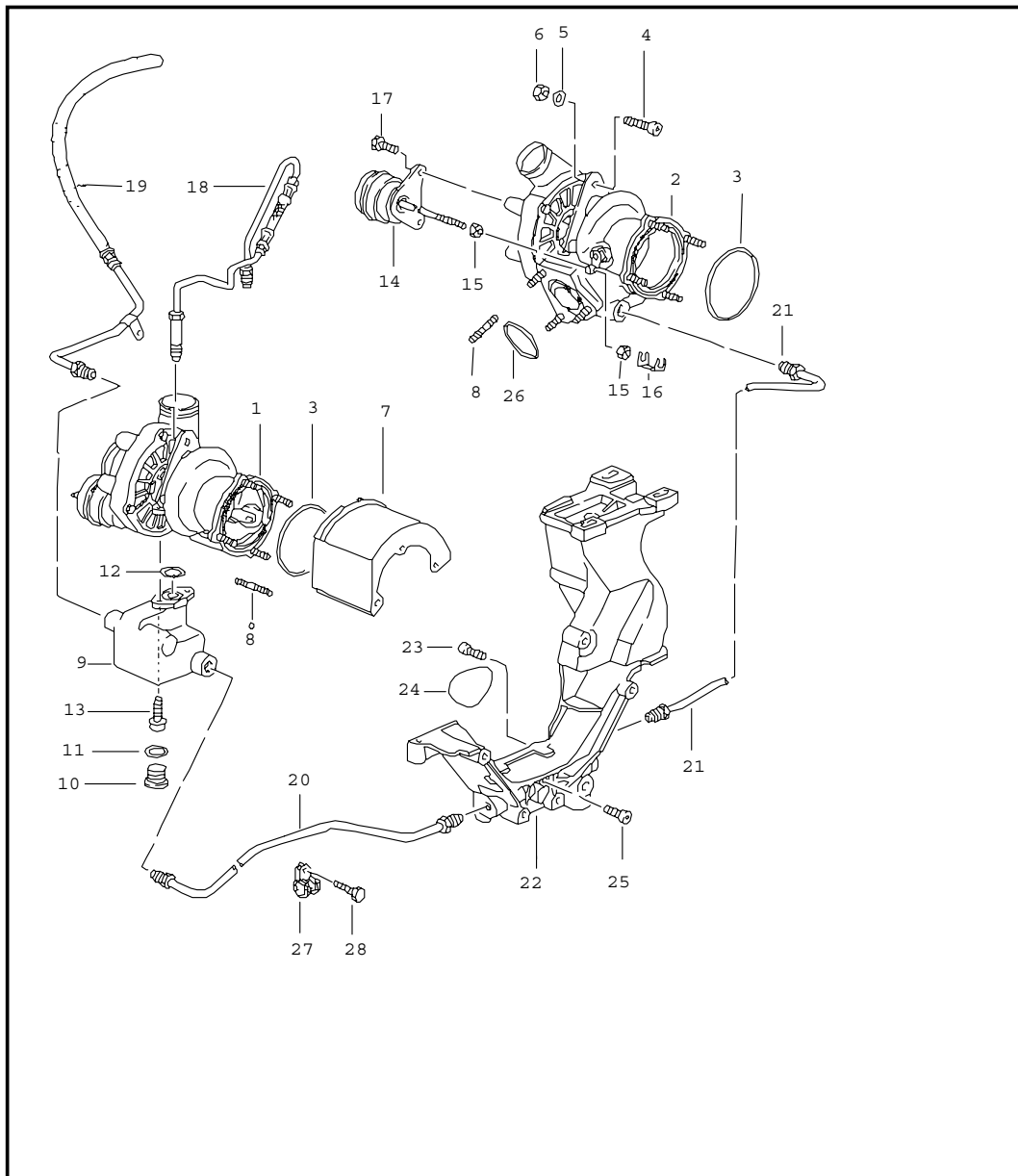


Pos	Part Number	Name	Remarks	Qty	Model
		exhaust system			TURBO
		muffler			
		catalytic converter			
1	993 111 119 07	restraining strap		2	
2	900 067 362 02	pan-head screw AM 8 X 50		2	
(3)	993 111 113 53	bracket	/L	1	
3	993 111 114 53	bracket	/R	1	
4	900 074 356 02	screw M 8 X 20		2	
5	993 111 046 54	muffler	/R -96	1	
5	993 111 046 54	muffler	/R 97-	1	
6	993 111 045 54	muffler	/L -96	1	
6	993 111 045 54	muffler	/L 97-	1	
7	993 111 246 51	sealing ring		2	
8	959 111 335 00	clip		2	
9	900 074 252 02	hexagon-head bolt M 8 X 65		4	
10	999 025 125 09	washer 8,4 X 17 X 3,1		8	
11	999 084 052 02	lock nut M 8		4	
12 A	993 111 251 50	tail pipe	/L	1	
12	993 111 251 54	tail pipe	/L -96	1	
12	993 111 251 54	tail pipe	/L 97-	1	
13 A	993 111 252 50	tail pipe	/R	1	
13	993 111 252 54	tail pipe	/R -96	1	
13	993 111 252 54	tail pipe	/R 97-	1	
14	993 113 213 57	catalytic converter	/L -96	1	
14	993 113 213 57	catalytic converter	/L 97-	1	
15	993 113 214 57	catalytic converter	/R -96	1	
15	993 113 214 57	catalytic converter	/R 97-	1	
16	993 113 223 52	bracket		1	

Model	Year	MG	SG	Illustration	Restrictions	Update	17:31	23.08.2006	PORSCHE	PET	PORSCHE
993	98	2	02	202-15		203					

Pos	Part Number	Name	Remarks	Qty	Model	Pos	Part Number	Name	Remarks	Qty	Model
17	993 113 225 51	restraining strap		2		39	999 049 008 40	plastic nut T5/16 X 10		2	
18	900 910 022 02	lock nut VF M 8		2		40	928 111 246 05	sealing ring		2	
19	993 113 247 51	catalytic converter cover		1		41	928 111 427 00	clip		2	
20	993 606 128 01	oxygen sensor	-96	2				- - - E N D - - -			
20	993 606 128 01	oxygen sensor	97-	2							
21	993 119 106 51	support		1							
22	993 606 127 01	oxygen sensor	-96	2							
22	993 606 127 01	oxygen sensor	97-	2							
23	993 113 244 51	cover	/R	1							
24	900 075 374 02	screw M 6 X 14		8							
25	900 151 007 02	washer		16							
26	999 507 430 09	locking bolt 6 X 12		16							
27	999 507 413 09	support 6		16							
28	999 507 073 00	nut lock M 6		4							
29	993 111 211 52	heat protection plate	/L	1							
30	993 111 212 52	heat protection plate	/R	1							
31	900 075 448 02	screw M 6 X 14		2							
32	900 123 050 20	sealing ring A 8 X 11,5		2							
33	900 083 080 00	screw plug M 8 X 1 X 10		2							
34	993 113 243 51	cover	/L	1							
35	999 084 627 02	lock nut M 8		8							
36	900 123 009 20	sealing ring A 18 X 24		1	M 150						
37	900 219 015 00	screw plug M 18 X 1,5		1	M 150						
38	993 606 105 00	support		1							

Model	Year	MG	SG	Illustration	Restrictions	Update	17:31	23.08.2006	PORSCHE	PET	PORSCHE
993	98	2	02	202-16		203					

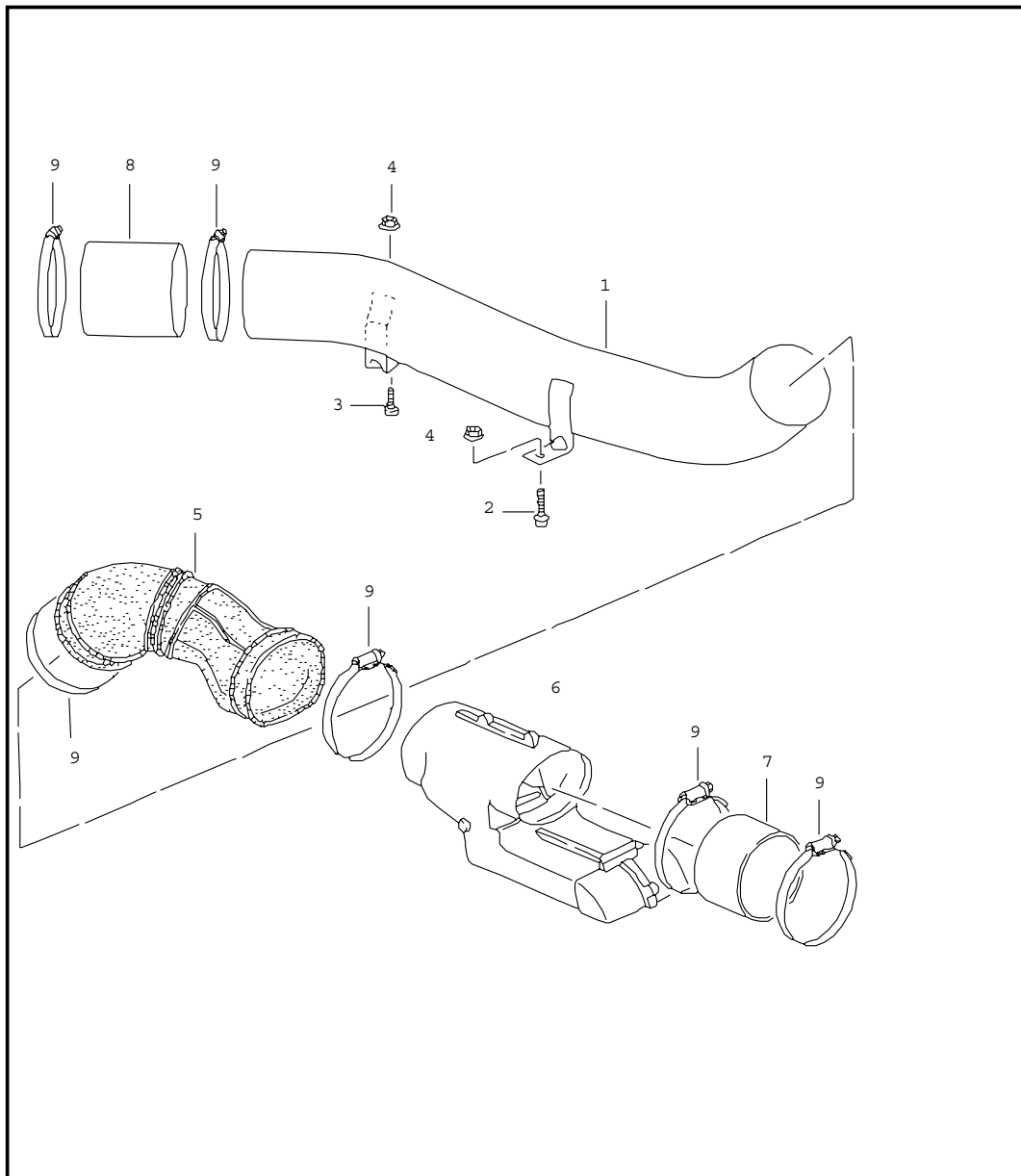


Pos	Part Number	Name	Remarks	Qty	Model
		turbocharger oil pump for turbocharger			
1	993 123 013 51	turbocharger	/L	1	
2	993 123 014 51	turbocharger	/R	1	
3	965 111 205 00	sealing ring		2	
4	900 378 074 09	hexagon-head bolt M 8 X 16		2	
5	900 336 005 00	washer 8		2	
6	999 084 052 02	lock nut M 8		2	
7	993 123 113 51	cover	/L	1	
(7)	993 123 114 51	cover	/R	1	
8	999 061 099 00	stud M 8 X 26		14	
9	993 107 127 51	oil collection container	/L	1	
(9)	993 107 128 51	oil collection container	/R	1	
10	900 219 009 30	screw plug M 18 X 1,5		2	
11	900 123 106 30	sealing ring A 18 X 24		2	
12	999 701 598 40	o-ring 18,65 X 2,45		2	
13	900 067 271 02	pan-head screw M 8 X 20		4	
14	993 123 115 50	vacuum unit		2	
15	900 076 077 00	hexagon nut M 6		4	
16	993 123 117 50	securing clip		2	
17	N 014 761 2	pan-head screw M 6 X 12		4	
18	A 993 107 125 53	oil pipe	/L	1	
18	993 107 125 53	oil pipe	/L	1	
(18)	A 993 107 126 53	oil pipe	/R	1	

Model	Year	MG	SG	Illustration	Restrictions	Update	17:31	23.08.2006	PORSCHE	PET	PORSCHE
993	98	2	02	202-16		203					

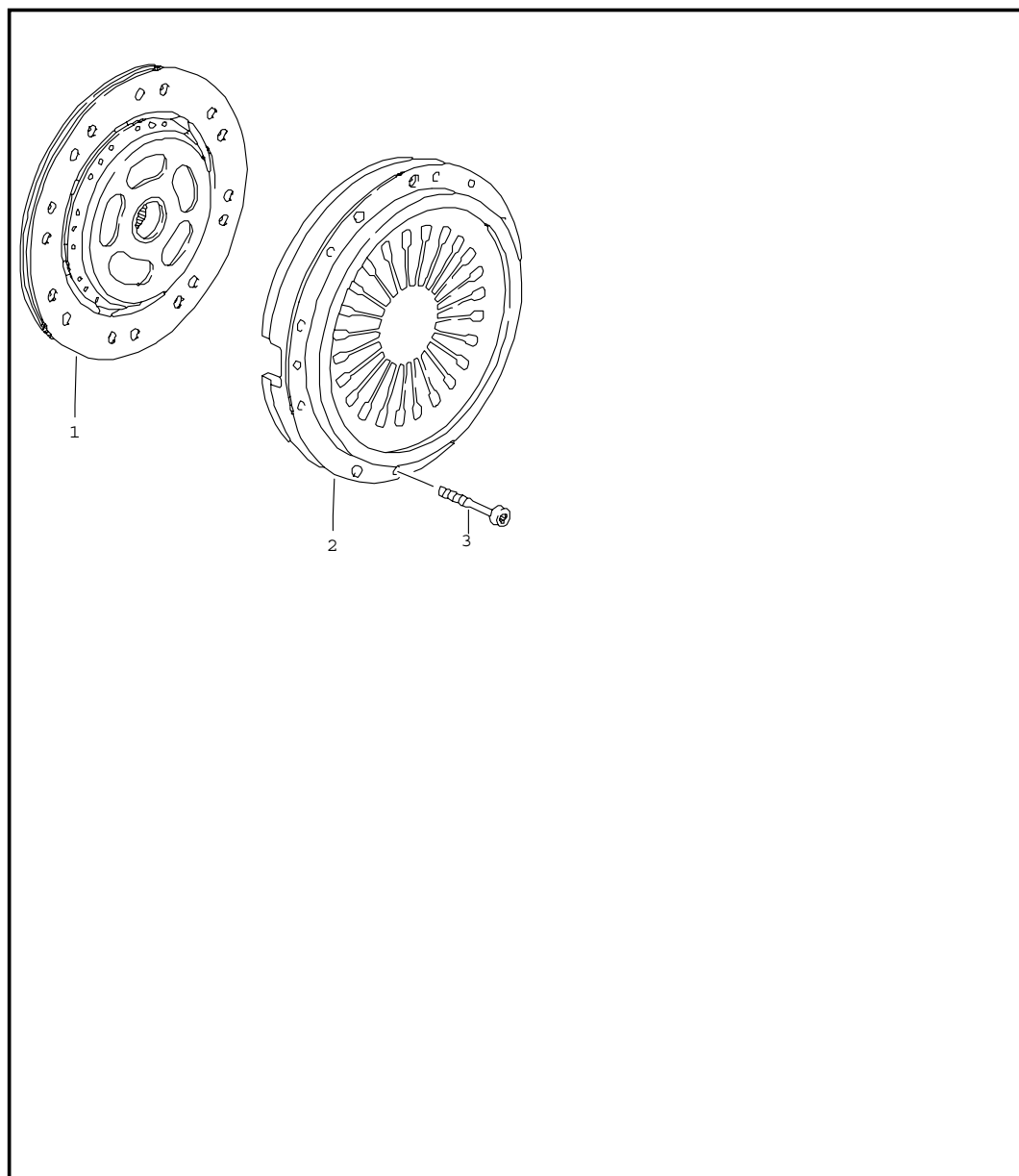
Pos	Part Number	Name	Remarks	Qty	Model	Pos	Part Number	Name	Remarks	Qty	Model
(18)	993 107 126 53	oil pipe	/R	1							
19	993 107 311 53	vent line	/L	1							
(19)	993 107 312 52	vent line	/R	1							
20	993 107 339 53	oil pipe	/L	1							
21	993 107 338 53	oil pipe	/R	1							
22	993 107 005 52	bracket with oil pump		1							
23	900 119 091 02	pan-head screw M 6 X 16		4							
24	999 701 926 40	o-ring 63 X 2		1							
25	999 218 005 02	pan-head screw M 6 X 16		1							
26	944 111 205 01	sealing ring		2							
27	999 511 116 02	clamp 10 X 15		2							
28	999 072 005 09	hexagon-head bolt M 6 X 12		2							
		- - - E N D - - -									

Model	Year	MG	SG	Illustration	Restrictions	Update	17:31	23.08.2006	PORSCHE	PET	PORSCHE
993	98	2	02	202-20		203					



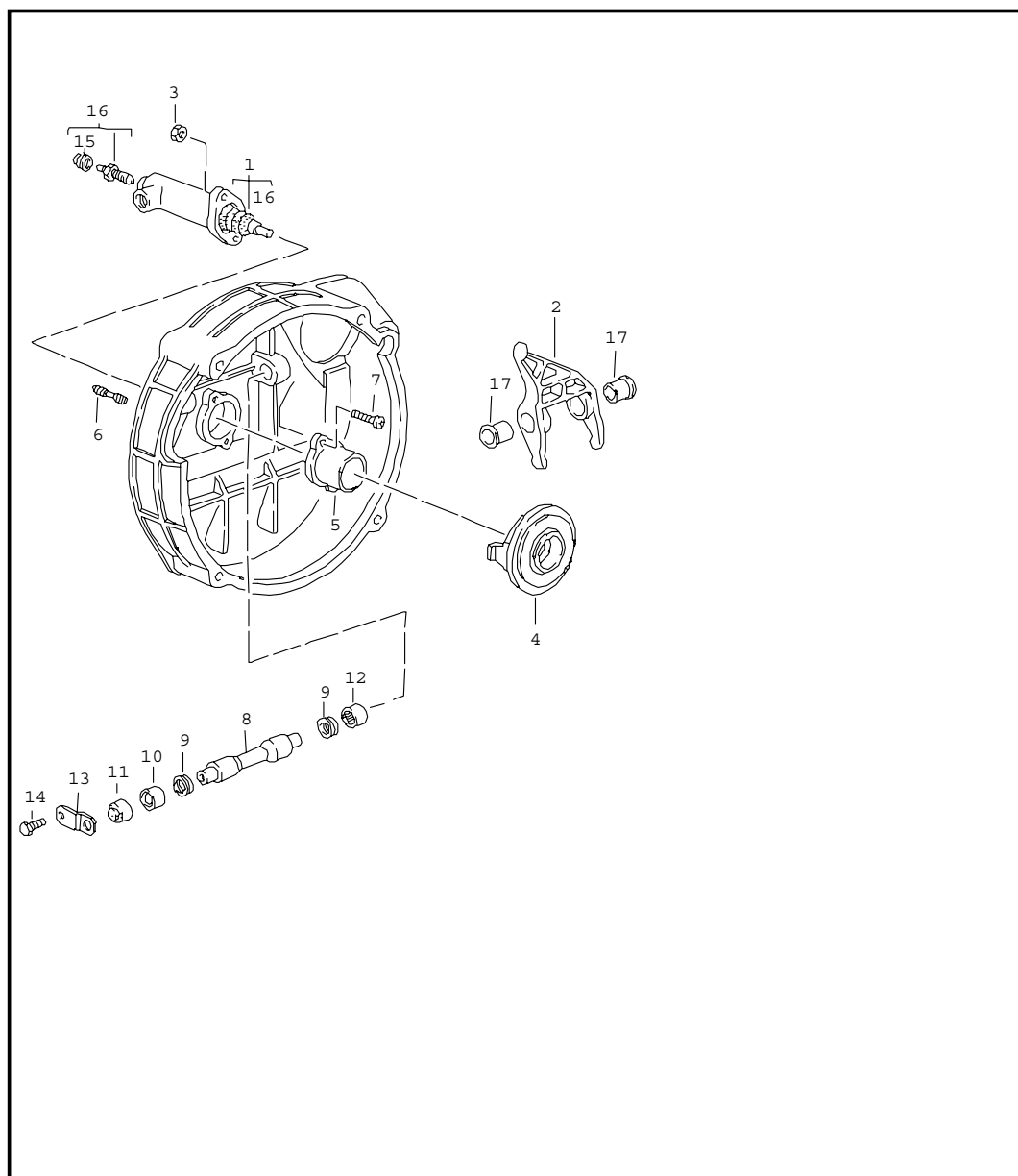
Pos	Part Number	Name	Remarks	Qty	Model
		heating air supply			
1	993 572 789 00	heating tube	/L	1	
(1)	993 572 790 00	heating tube	/R	1	
2	900 067 207 02	screw M 6 X 20		2	
3	900 067 008 02	pan-head screw M 6 X 12		2	
4	900 380 003 02	hexagon nut M 6		4	
5 A	993 572 785 01	connecting hose	/L -94	1	
5	993 572 785 01	connecting hose	/L 95-	1	
(5) A	993 572 786 01	connecting hose	/R -94	1	
(5)	993 572 786 01	connecting hose	/R 95-	1	
6	993 572 087 00	heat control box		2	
-	000 043 205 04	hose 72 X 2,0		*	
7	-	45 MM		2	
8	-	80 MM		2	
9	999 512 351 02	hose clamp 70 - 90/9		12	
- - - E N D - - -					

Model	Year	MG	SG	Illustration	Restrictions	Update	17:31	23.08.2006	PORSCHE	PET	PORSCHE
993	98	3	01	301-00		203					



Pos	Part Number	Name	Remarks	Qty	Model
		clutch	M002 M003		M64.05/07 M64.20 M64.20 M64.60
1	964 116 014 90	drive plate	-95 M002	1	M64.05/07 M64.20 M64.60
		alternative parts: 964.116.013.51 964.116.013.52 964.116.014.51 964.116.014.52			
1	964 116 014 62	drive plate	96- M002	1	M64.21/23 M64.20 M64.60
		alternative parts: 964.116.013.62 964.116.014.62			
1	996 116 015 30	clutch plate	M003	1	M64.20
2	964 116 028 03	pressure plate	W	1	
2	964 116 028 03	pressure plate	W	1	
(2)	964 116 028 53	pressure plate		1	M64.60
3	999 510 015 02	pan-head screw M 8 X 40		9	
(3)	N 014 715 3	pan-head screw M 8 X 45	M 003	9	M64.20
-	964 114 143 31	ring gear	M 003	1	M64.20
-	993 116 911 00	repair kit		1	M64.05/07 M64.21/23 M64.20
		for clutch comprising:	M 002		
-	964 116 028 03	pressure plate		1	
-	964 116 014 62	drive plate		1	
-	950 116 080 08	clutch release bearing		1	
		- - - E N D - - -			

Model	Year	MG	SG	Illustration	Restrictions	Update	17:31	23.08.2006	PORSCHE	PET	PORSCHE
993	98	3	01	301-05		203					

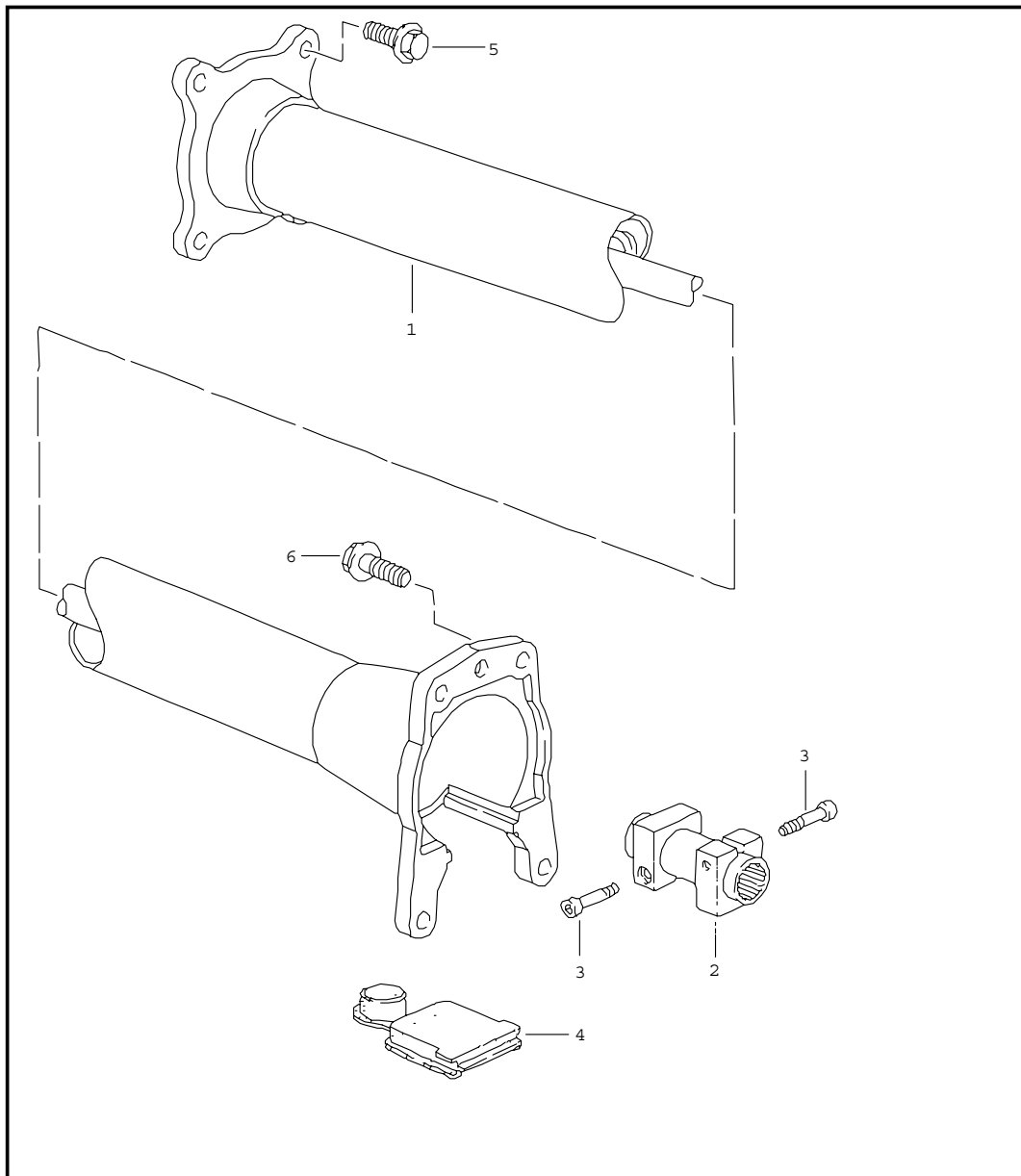


Pos	Part Number	Name	Remarks	Qty	Model
		clutch release	95-		G50.20/21 G64.20/21 G50.31 G50.32 G50.33 G64.51
1	950 116 237 12	clutch operating cylinder	M003 (CH)	1	G50.20/21 G64.20/21 G50.31/33
(1)	-	clutch operating cylinder see group 7/02/09		1	G64.51
2	950 116 086 06	release fork		1	
3	900 076 025 02	hexagon nut M 8		2	
4	950 116 080 08	clutch release bearing		1	
4	944 116 080 01	clutch release bearing	M003	1	M64.20
5	950 116 813 06	guide tube		1	
5	950 116 813 30	guide tube	M003	1	G50.32
6	999 062 007 02	stud BM 8 X 22		2	G50.20/21 G64.20/21 G50.31/33
7	900 270 055 02	countersunk-head screw M 6 X 14		2	
8	950 116 710 04	operating shaft		1	
9	999 113 418 40	gasket 13,02 X 16,4		2	
10	999 201 339 00	bush		1	
11	950 116 725 00	cover		1	
12	999 201 365 00	bush		1	
13	950 116 713 02	retaining bracket		1	
14	900 075 057 02	hexagon-head bolt M 6 X 16		1	
15	901 351 927 10	dust boot		1	G50.20/21 G64.20/21 G50.31/33
16	928 351 945 03	ventilation valve		1	G50.20/21 G64.20/21 G50.31/33

Model	Year	MG	SG	Illustration	Restrictions	Update	17:31	23.08.2006	PORSCHE	PET	PORSCHE
993	98	3	01	301-05		203					

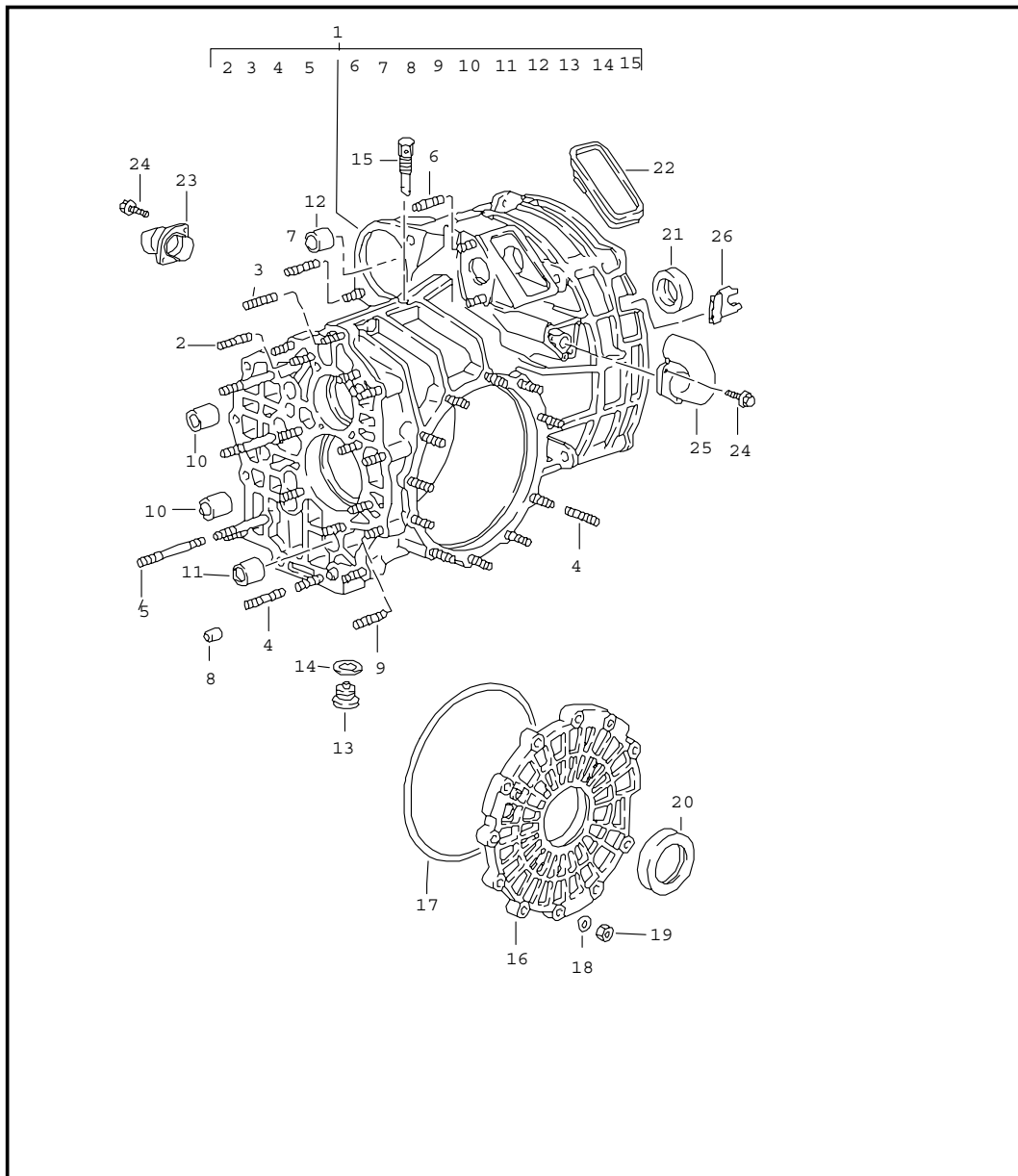
Pos	Part Number	Name	Remarks	Qty	Model	Pos	Part Number	Name	Remarks	Qty	Model
17	950 116 715 01	bush		2							
		- - - E N D - - -									

Model	Year	MG	SG	Illustration	Restrictions	Update	17:32	23.08.2006	PORSCHE	PET	PORSCHE
993	98	3	01	301-10		203					



Pos	Part Number	Name	Remarks	Qty	Model
		central tube	95-		G64.20/21 G64.51/52
1	> 964 421 012 24	central tube		1	
2	477 521 145 A	clamping sleeve		1	
3	477 521 501 A	pan-head screw		2	
4	U 993 421 251 01	cover		1	
4	993 421 251 01	cover		1	
5	900 378 059 02	hexagon-head bolt M 10 X 25		4	
6	900 378 054 02	hexagon-head bolt M 12 X 1,5 X 35		4	
		- - - E N D - - -			

Model	Year	MG	SG	Illustration	Restrictions	Update	17:32	23.08.2006	PORSCHE	PET	PORSCHE
993	98	3	02	302-00		203					

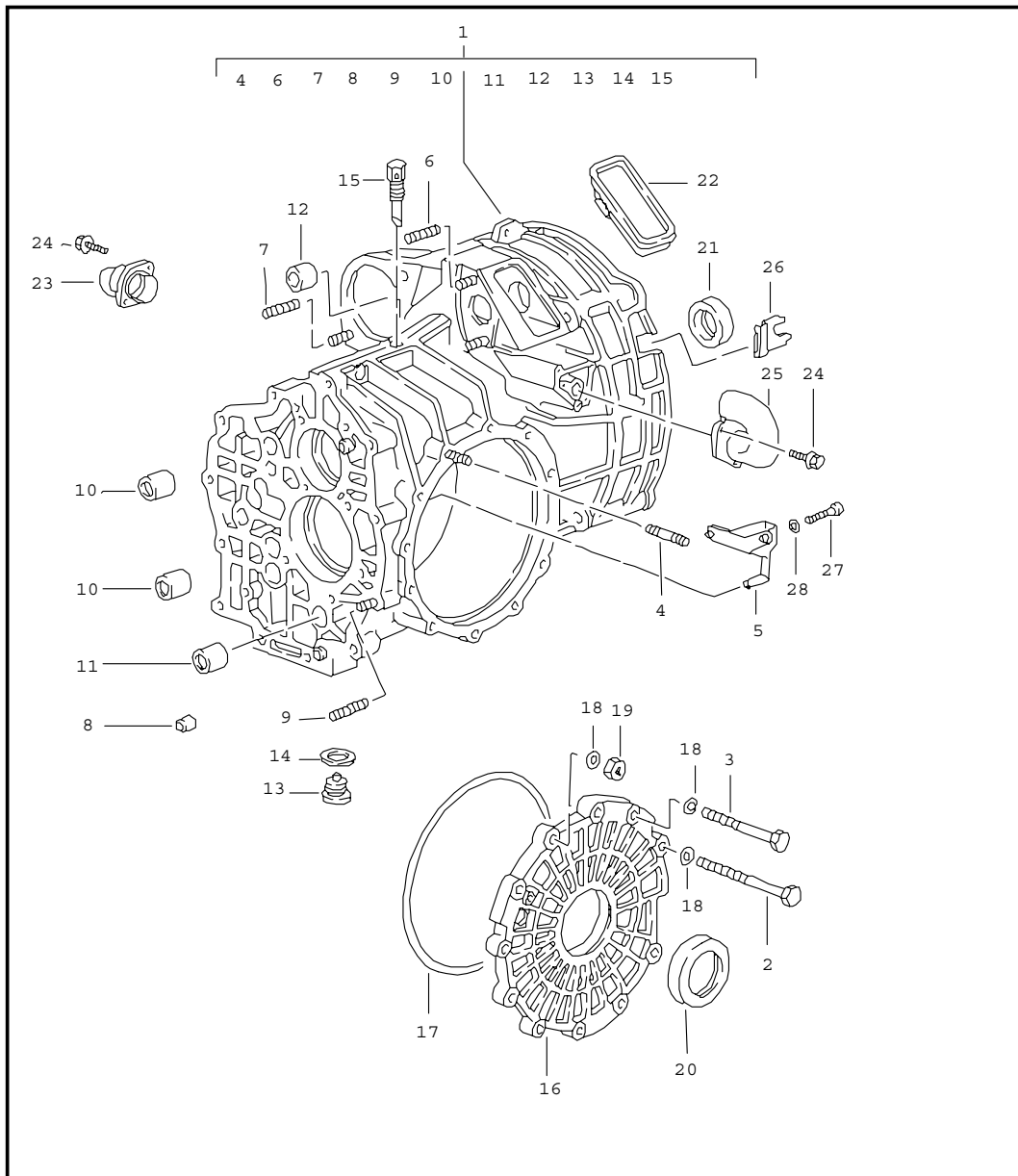


Pos	Part Number	Name	Remarks	Qty	Model
		replacement transmission ready for installation transmission case	95- M 003 (CH)		G50.20/21 G64.20/21 G50.31 G50.32 G50.33
- >	950 300 010 20	transmission	(A)	1	G50.20 (CH)
- >	950 300 020 20	transmission with limited-slip differential	(A)	1	G50.20 (CH)
- >	964 300 020 20	transmission with limited-slip differential	(A) 96-	1	G64.20 (CH) C4S
- >	950 300 010 21	transmission	-96	1	G50.21
- >	950 300 010 21	transmission	97	1	G50.21 (J)
- >	950 300 020 21	transmission with limited-slip differential	-96	1	G50.21
- >	950 300 020 21	transmission with limited-slip differential	97	1	G50.21 (J)
- >	964 300 020 21	transmission with limited-slip differential	-96	1	G64.21
- >	964 300 020 21	transmission with limited-slip differential	97	1	G64.21 (J)
-	950 300 020 31	replacement transmission with limited-slip differential		1	G50.31
-	950 300 020 32	replacement transmission with limited-slip differential	M 003	1	G50.32
-	950 300 020 33	replacement transmission with limited-slip differential	(CH)	1	G50.33
1	964 301 010 04	transmission case		1	
(1)	964 301 010 20	transmission case		1	G50.31/32/33
2	999 062 008 02	stud M 8 X 25		8	
3	999 062 009 02	stud M 8 X 28		6	

Model	Year	MG	SG	Illustration	Restrictions	Update	17:32	23.08.2006	PORSCHE	PET	PORSCHE
993	98	3	02	302-00		203					

Pos	Part Number	Name	Remarks	Qty	Model	Pos	Part Number	Name	Remarks	Qty	Model
4	999 062 010 02	stud M 8 X 35		12		25	993 116 061 00	intake manifold		1	
5	999 062 156 02	stud M 8 X 78		2		26	993 116 630 00	cap		1	
6	999 062 007 02	stud M 8 X 22		2				- - - E N D - - -			
7	999 062 118 02	stud M 10 X 28		2							
8	900 012 144 00	straight pin 12 M 6 X 14		3							
9	999 062 006 02	stud BM 8 X 20		1							
10	999 203 003 00	bearing sleeve 16 X 22 X 20		4							
11	999 203 004 10	bush 16 X 22 X 27		1							
12	999 531 017 10	bush		1							
13	999 063 008 02	screw plug with magnet M 22 X 1,5		1							
14	900 123 011 30	sealing ring A 22 X 27		1							
15	950 301 071 00	bleeder		1							
16	950 301 312 07	transmission cover		1							
17	999 701 745 40	o-ring		1							
18	900 025 007 02	washer A 8,4		11							
19	900 076 025 02	hexagon nut M 8		11							
20	999 113 347 40	shaft seal 48 X 68 X 10		2							
21	999 113 326 41	shaft seal 26,5 X 40		1							
22	950 301 151 01	cap		1							
23	993 116 063 00	connection piece		1							
24	900 075 431 02	hexagon-head bolt M 6 X 20 Z1		5							

Model	Year	MG	SG	Illustration	Restrictions	Update	17:32	23.08.2006	PORSCHE	PET	PORSCHE
993	98	3	02	302-01		203					

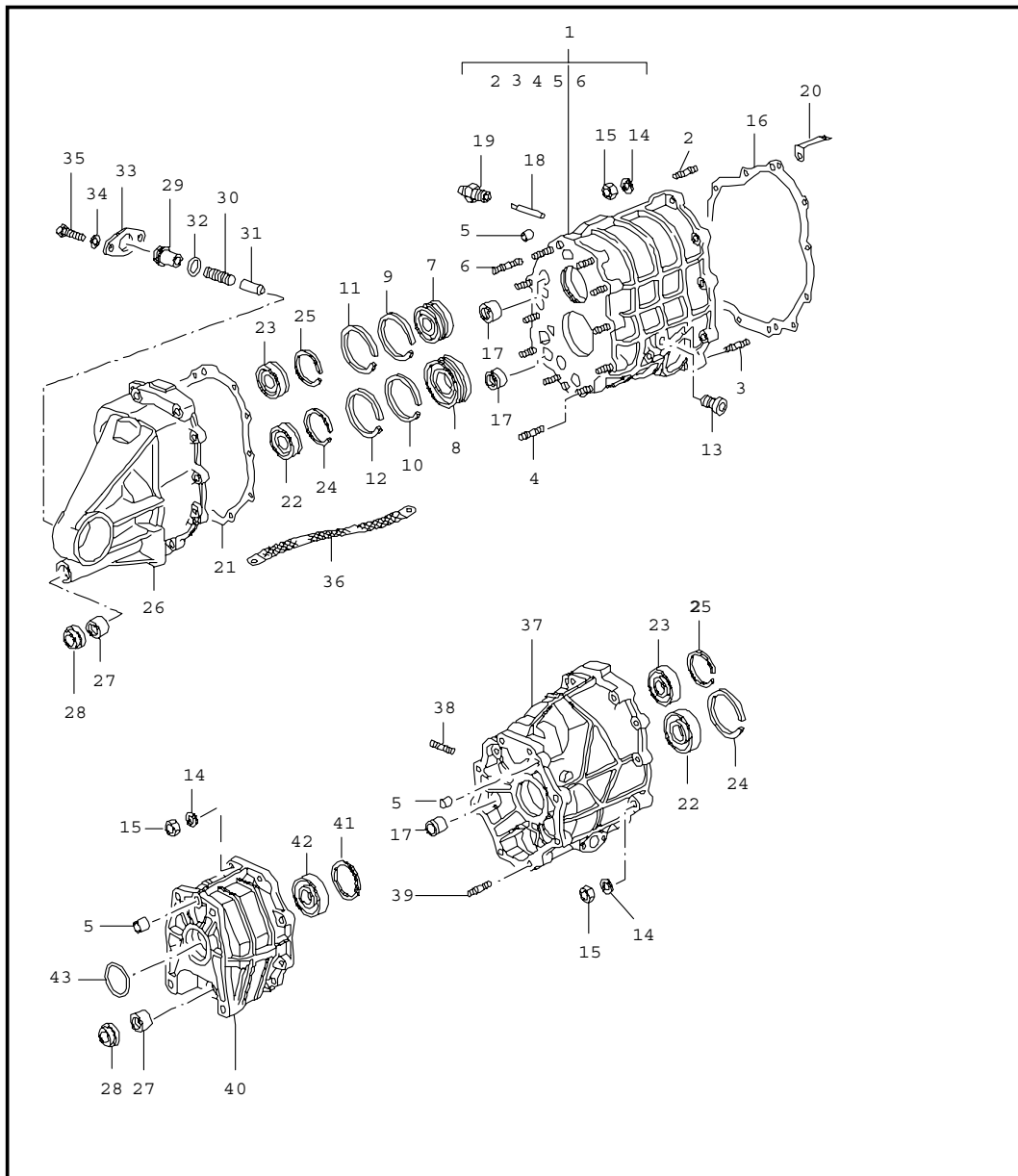


Pos	Part Number	Name	Remarks	Qty	Model
		replacement transmission ready for installation transmission case			G64.51
-	964 300 020 51	transmission with limited-slip differential		1	G64.51
-	964 300 020 52	transmission with limited-slip differential	(RC)	1	G64.52
1	964 301 010 55	transmission case		1	G64.51
(1)	964 301 010 56	transmission case	(RC)	1	G64.52
2	900 074 170 02	hexagon-head bolt M 8 X 67		1	
3	900 075 033 02	hexagon-head bolt M 8 X 40		10	
4	999 062 052 02	stud M 8 X 42		1	
5	964 307 107 00	funnel		1	
6	999 062 008 02	stud M 8 X 25		2	
7	999 062 118 02	stud M 10 X 28		1	
8	900 012 144 00	straight pin 12 M 6 X 14		3	
9	999 062 006 02	stud BM 8 X 20		1	
10	999 203 003 00	bearing sleeve 16 X 22 X 20		4	
11	999 203 004 10	bush 16 X 22 X 27		1	
12	999 531 017 10	bush		1	
13	999 063 008 02	screw plug with magnet M 22 X 1,5		1	
14	900 123 118 30	sealing ring A 22 X 27		1	
15	950 301 071 00	bleeder		1	
16	950 301 312 52	transmission cover		1	

Model	Year	MG	SG	Illustration	Restrictions	Update	17:32	23.08.2006	PORSCHE	PET	PORSCHE
993	98	3	02	302-01		203					

Pos	Part Number	Name	Remarks	Qty	Model	Pos	Part Number	Name	Remarks	Qty	Model
17	999 707 328 40	o-ring 205 X 3,5		1							
18	900 025 007 02	washer A 8,4		12							
19	900 076 025 02	hexagon nut M 8		1							
20	999 113 347 40	shaft seal 48 X 68 X 10		2							
21	999 113 326 41	shaft seal 26,5 X 40		1							
22	950 301 151 01	cap		1							
23	993 116 063 00	connection piece		1							
24	900 075 431 02	hexagon-head bolt M 6 X 20 Z1		5							
25	993 116 061 00	intake manifold		1							
26	993 116 630 00	cap		1							
27	900 067 005 02	pan-head screw M 5 X 30		2							
28	900 025 003 02	washer A 5,3		2							
		- - - E N D - - -									

Model	Year	MG	SG	Illustration	Restrictions	Update	17:32	23.08.2006	PORSCHE	PET	PORSCHE
993	98	3	02	302-05		203					

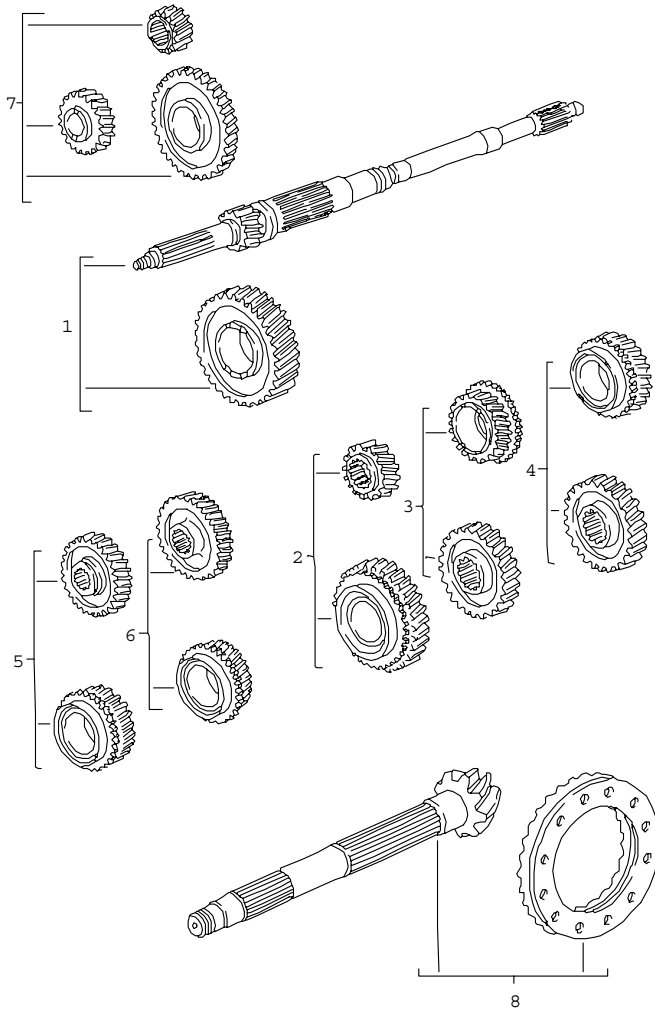


Pos	Part Number	Name	Remarks	Qty	Model
		gear housing transmission cover	95-		G50.20/21 G50.31/33 G64.20/21 G64.51
1	950 301 011 07	gear housing		1	
2	999 062 009 02	stud M 8 X 28		3	
3	999 062 010 02	stud M 8 X 35		1	
4	999 062 008 02	stud M 8 X 25		7	
5	900 012 144 00	straight pin 12 M6 X 14		4	
6	999 062 119 02	stud M 8 X 40		2	
7	999 110 181 00	cylindrical-roller bearing 30 X 62 X 16		1	
8	999 110 109 01	cylindrical-roller bearing 35 X 80 X 18		1	
9	900 111 001 00	snap ring SP 62		1	
10	N 100 709 01	snap ring SP 80		1	
11	999 152 031 01	snap ring SB 68		1	
12	999 152 106 00	snap ring SB 87		1	
13	900 219 001 30	screw plug		1	
14	900 025 007 02	washer A 8,4		37	
15	900 076 025 02	hexagon nut M 8		40	
16	950 301 191 01	gasket		1	
17	999 203 003 00	bearing sleeve		3	
18	950 303 240 01	cam follower		1	
19	914 613 541 02	back-up light switch		1	
20	911 606 229 00	retaining bracket		1	

Model	Year	MG	SG	Illustration	Restrictions	Update	17:32	23.08.2006	PORSCHE	PET	PORSCHE
993	98	3	02	302-05		203					

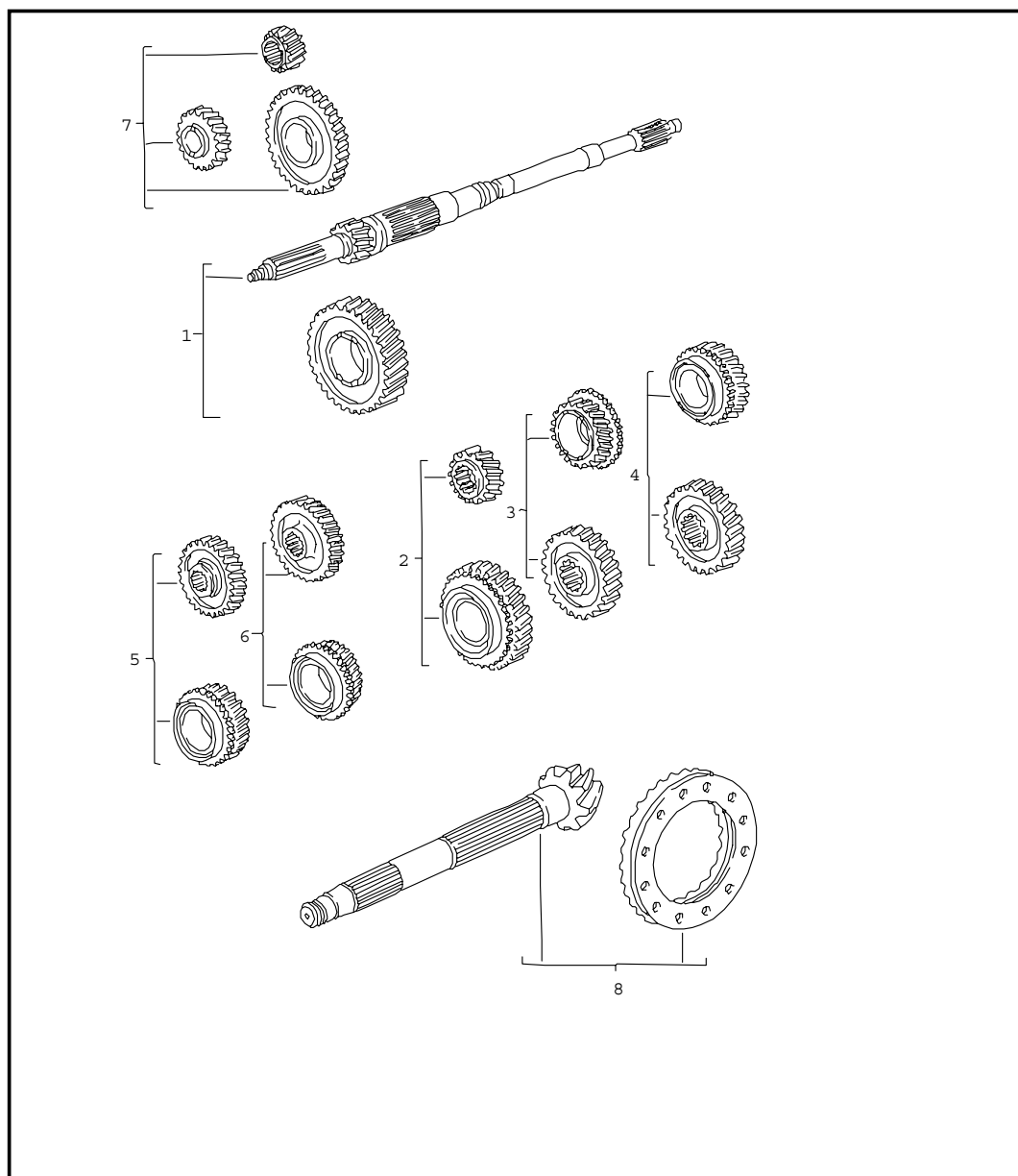
Pos	Part Number	Name	Remarks	Qty	Model	Pos	Part Number	Name	Remarks	Qty	Model
(20)	911 606 225 00	retaining bracket		1		42	999 052 143 02	deep-groove ball bearing 30 X 55 X 9		1	
21	950 301 351 02	gasket		1		43	999 113 386 40	shaft seal 30 X 47 X 7		1	
22	999 110 192 00	cylindrical-roller bearing 30 X 62 X 16		1		-	964 307 101 00	cup		1	G64.51
23	999 110 194 01	cylindrical-roller bearing 25 X 52 X 15		1		-	900 095 050 00	roll pin		1	G64.51
24	999 152 024 01	snap ring SB 62		1				- - - E N D - - -			
25	999 152 062 01	snap ring SB 52		1							
26	964 301 301 02	transmission cover	95-	1	G50.20/21 G50.31/33						
27	999 203 004 10	bush		1							
28	999 113 404 40	shaft seal		1							
29	964 303 230 01	eccentric		1							
30	950 303 235 01	compression spring		1							
31	950 303 233 00	arresting bush		1							
32	900 123 010 40	sealing ring A 20 X 24 X 1,5		1							
33	964 303 231 00	tensioning plate		1							
34	N 011 524 7	washer A 6,4		2							
35	900 075 057 02	hexagon-head bolt M6 X 16		2							
36	999 611 920 20	ground strap		1							
37	964 301 103 07	intermediate housing		1	G64.20/21						
(37)	964 301 103 07	intermediate housing		1	G64.51						
38	999 061 093 02	stud M 10 X 20		3							
39	999 062 008 02	stud BM 8 X 25		8							
40	964 301 104 09	distributor housing		1	G64.20/21 G64.51						
41	900 042 025 01	circlip 55 X 2		1							

Model	Year	MG	SG	Illustration	Restrictions	Update	17:33	23.08.2006	PORSCHE	PET	PORSCHE
993	98	3	03	303-00		203					



Pos	Part Number	Name	Remarks	Qty	Model
		gear sets			G50.20/21
		>> G50.20 1 002693			G50.20
		>> G50.20 2 002174			G50.20
		>> G50.21 1 005072			G50.21
		>> G50.21 2 003094			G50.21
1	950 302 901 21	gear set 1st gear Z = 42 : 11		1	G50.20/21
2	950 302 902 37	gear set 2nd gear Z = 43 : 20		1	G50.21
2	950 302 902 56	gear set 2nd gear Z = 43 : 21		1	G50.20
3	950 302 903 52	gear set 3rd speed Z = 39 : 25		1	G50.21
3	950 302 903 39	gear set 3rd speed Z = 38 : 27		1	G50.20
4	950 302 904 42	gear set 4th speed Z = 41 : 33		1	G50.21
4	950 302 904 46	gear set 4th speed Z = 38 : 34		1	G50.20
5	993 302 905 00	gear set 5th speed Z = 38 : 37		1	G50.21
5	993 302 905 05	gear set 5th speed Z = 35 : 38		1	G50.20
6	950 302 906 01	gear set 6th gear Z = 32 : 39		1	G50.21
6	950 302 906 11	gear set 6th gear Z = 31 : 40		1	G50.20
7	950 302 907 06	gear set reverse gear		1	
8	950 302 911 13	ring gear and pinion shaft 31 : 9		1	G50.20/21
- - - E N D - - -					

Model	Year	MG	SG	Illustration	Restrictions	Update	17:33	23.08.2006	PORSCHE	PET	PORSCHE
993	98	3	03	303-01		203					

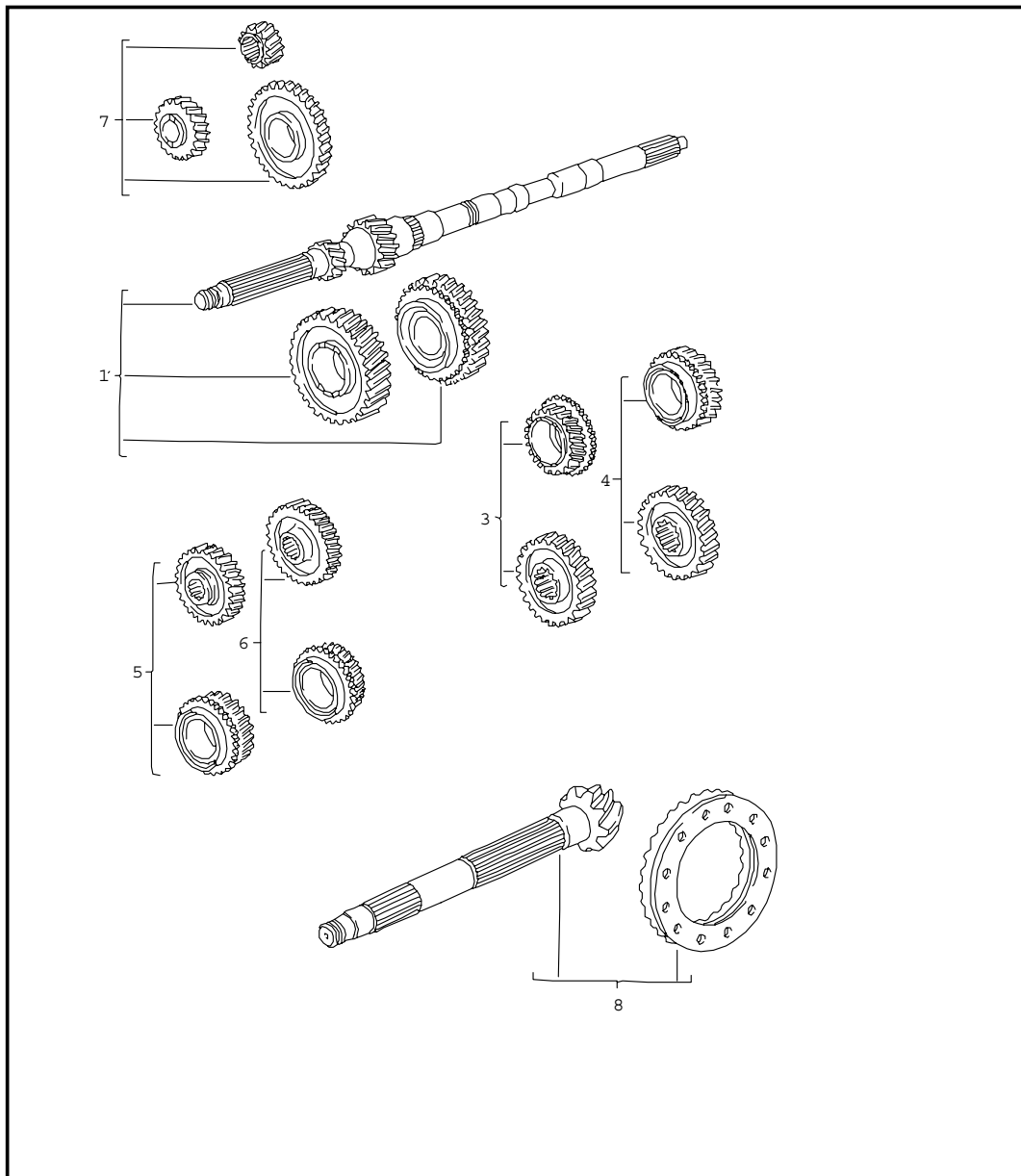


Pos	Part Number	Name	Remarks	Qty	Model
		gear sets	M002 M003 (CH)		G50.31 G50.32 G50.33
1	993 302 901 16	gear set 1st gear Z = 41 : 13		1	G50.31/32/33
2	950 302 952 05	gear set 2nd gear Z = 40 : 20		1	G50.31/32/33
3	950 302 953 06	gear set 3rd speed Z = 35 : 23		1	G50.31
3	993 302 903 35	gear set 3rd speed Z = 38 : 27	(CH)	1	G50.33
3	950 302 953 05	gear set 3rd speed Z = 35 : 23		1	G50.32
4	993 302 904 40	gear set 4th speed Z = 41 : 33		1	G50.31
4	950 302 954 05	gear set 4th speed Z = 36 : 29		1	G50.32
4	993 302 904 45	gear set 4th speed Z = 38 : 34	(CH)	1	G50.33
5	993 302 905 00	gear set 5th speed Z = 42 : 41		1	G50.31
5	950 302 955 11	gear set 5th speed Z = 33 : 32		1	G50.32
5	950 302 955 87	gear set 5th speed Z = 36 : 37	(CH)	1	G50.33
6	950 302 906 01	gear set 6th gear Z = 32 : 39		1	
6	950 302 956 45	gear set 6th gear Z = 29 : 35		1	G50.32
7	950 302 907 06	gear set reverse gear		1	

Model	Year	MG	SG	Illustration	Restrictions	Update					
993	98	3	03	303-01		203	17:33	23.08.2006	PORSCHE	PET	PORSCHE

Pos	Part Number	Name	Remarks	Qty	Model	Pos	Part Number	Name	Remarks	Qty	Model
8	950 302 911 13	ring gear and pinion shaft 31 : 9		1							
		- - - E N D - - -									

Model	Year	MG	SG	Illustration	Restrictions	Update	17:33	23.08.2006	PORSCHE	PET	PORSCHE
993	98	3	03	303-02		203					

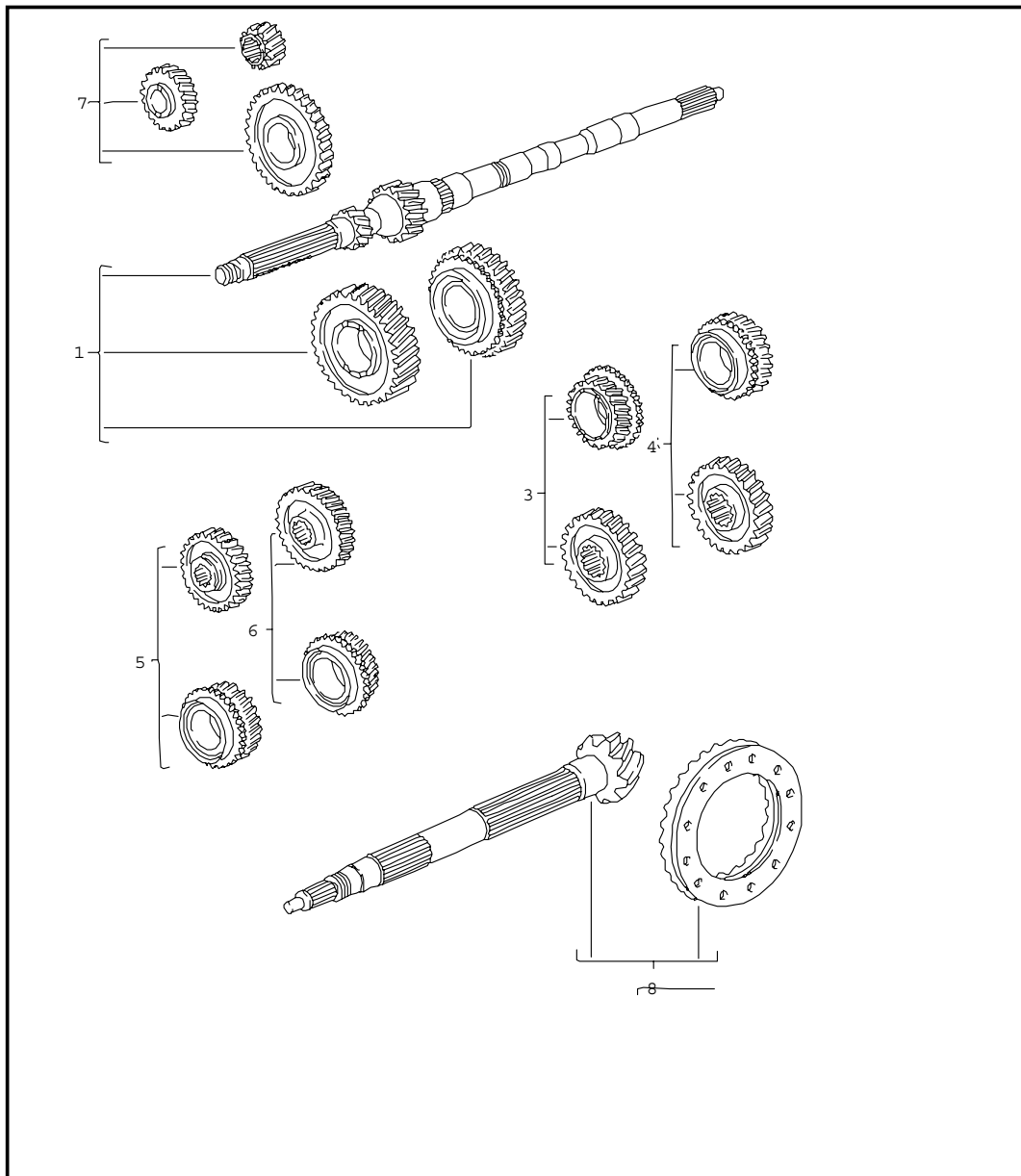


Pos	Part Number	Name	Remarks	Qty	Model
		gear sets	95-		G50.20/21 G64.20/21
		G50.20 1 002694 >>			G50.20
		G50.20 2 002174 >>			G50.20
		G50.21 1 005073 >>			G50.21
		G50.21 2 003095 >>			G50.21
1	993 302 901 22	gear set 1st/2nd gear 1st gear Z = 42 : 11 2nd gear Z = 43 : 21		1	G50.20 G64.20
1	993 302 901 23	gear set 1st/2nd gear 1st gear Z = 42 : 11 2nd gear Z = 43 : 20		1	G50.21 G64.21
3	993 302 903 51	gear set 3rd speed Z = 39 : 25		1	G50.21 G64.21
3	993 302 903 35	gear set 3rd speed Z = 38 : 27		1	G50.20 G64.20
4	993 302 904 40	gear set 4th speed Z = 41 : 33		1	G50.21 G64.21
4	993 302 904 45	gear set 4th speed Z = 38 : 34		1	G50.20 G64.20
5	993 302 905 05	gear set 5th speed Z = 39 : 42		1	G50.20 G64.20
5	993 302 905 00	gear set 5th speed Z = 42 : 41		1	G50.21 G64.21
6	950 302 906 01	gear set 6th gear Z = 32 : 39		1	G50.21 G64.21
6	950 302 906 11	gear set 6th gear Z = 31 : 40		1	G50.20 G64.20
7	950 302 907 06	gear set reverse gear		1	

Model	Year	MG	SG	Illustration	Restrictions	Update					
993	98	3	03	303-02		203	17:33	23.08.2006	PORSCHE	PET	PORSCHE

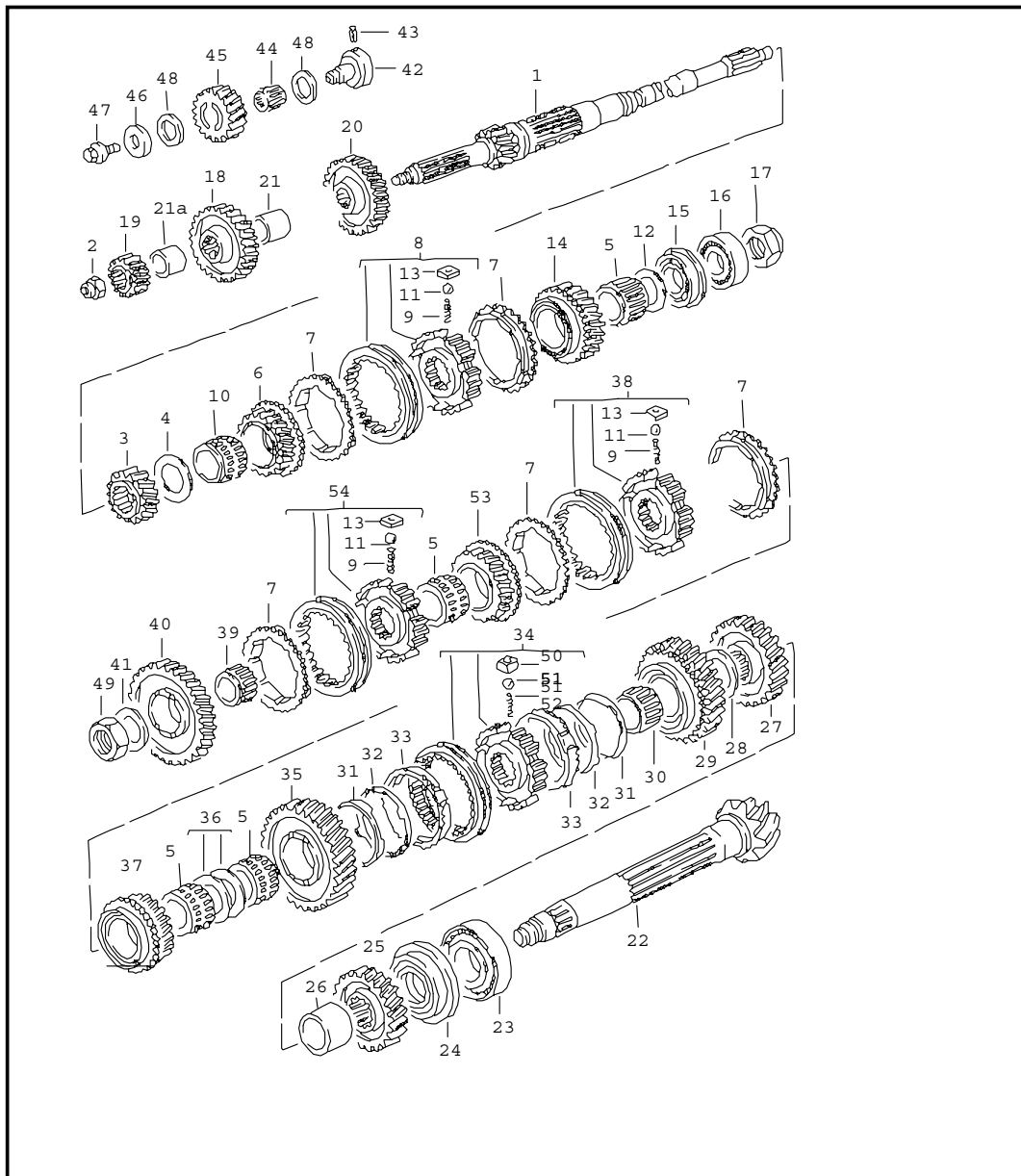
Pos	Part Number	Name	Remarks	Qty	Model	Pos	Part Number	Name	Remarks	Qty	Model
8	950 302 911 13	ring gear and pinion shaft 31 : 9		1	G50.20/21						
(8)	964 302 911 13	ring gear and pinion shaft 31 : 9		1	G64.20/21						
		- - - E N D - - -									

Model	Year	MG	SG	Illustration	Restrictions	Update	17:33	23.08.2006	PORSCHE	PET	PORSCHE
993	98	3	03	303-03		203					



Pos	Part Number	Name	Remarks	Qty	Model
		gear sets	(RC)		G64.51 G64.52
1	993 302 901 71	gear set 1st/2nd gear 1st gear Z = 42 : 11 2nd gear Z = 43 : 20		1	
3	950 302 953 50	gear set 3rd speed Z = 39 : 25		1	
4	950 302 954 55	gear set 4th speed Z = 40 : 33		1	
5	950 302 955 87	gear set 5th speed Z = 36 : 37		1	
6	950 302 956 06	gear set 6th gear Z = 30 : 40		1	
7	950 302 907 06	gear set reverse gear		1	
8	964 302 911 74	ring gear and pinion shaft 31 : 9		1	
(8)	964 302 911 75	ring gear and pinion shaft 32 : 11	(RC)	1	G64.52
- - - E N D - - -					

Model	Year	MG	SG	Illustration	Restrictions	Update	17:34	23.08.2006	PORSCHE	PET	PORSCHE
993	98	3	03	303-10		203					



Pos	Part Number	Name	Remarks	Qty	Model
		gears and shafts	95- M002 M003 (CH)		G50.20/21 G64.20/21 G50.31 G50.32 G50.33 G64.51
		gear sets see group 3/03/00 until 3/03/03			
1	-	drive shaft		1	
-	964 302 335 02	washer 7 MM		1	G64.51
2	999 034 035 00	lock nut M 22 X 1,5	95-	1	
3	-	fixed gear wheel 2nd gear		1	
4	950 302 293 05	thrust washer 3rd speed		1	
5	999 201 239 04	needle-roller bearing 35 X 50 X 32,2		4	
5	999 201 437 02	needle-roller bearing 35 X 47 X 32,2		1	
5	999 201 239 06	needle-roller bearing 35 X 50 X 32,2 5th speed and 6th gear		2	G64.51
5	999 201 437 06	needle cage 35 X 47 X 32,2 4th speed		1	G64.51
6	-	loose gear wheel 3rd speed		1	
7	928 304 211 23	synchroniser ring		4	
7	928 304 211 30	synchroniser ring		4	G50.32
8	950 304 021 22	guide sleeve 3rd, 4th speed \$ 36,83 MM inner >> G50.20 1 002693 >> G50.20 2 002174 >> G50.21 1 005072 >> G50.21 2 003094	94 94 94 94	1	G64.51

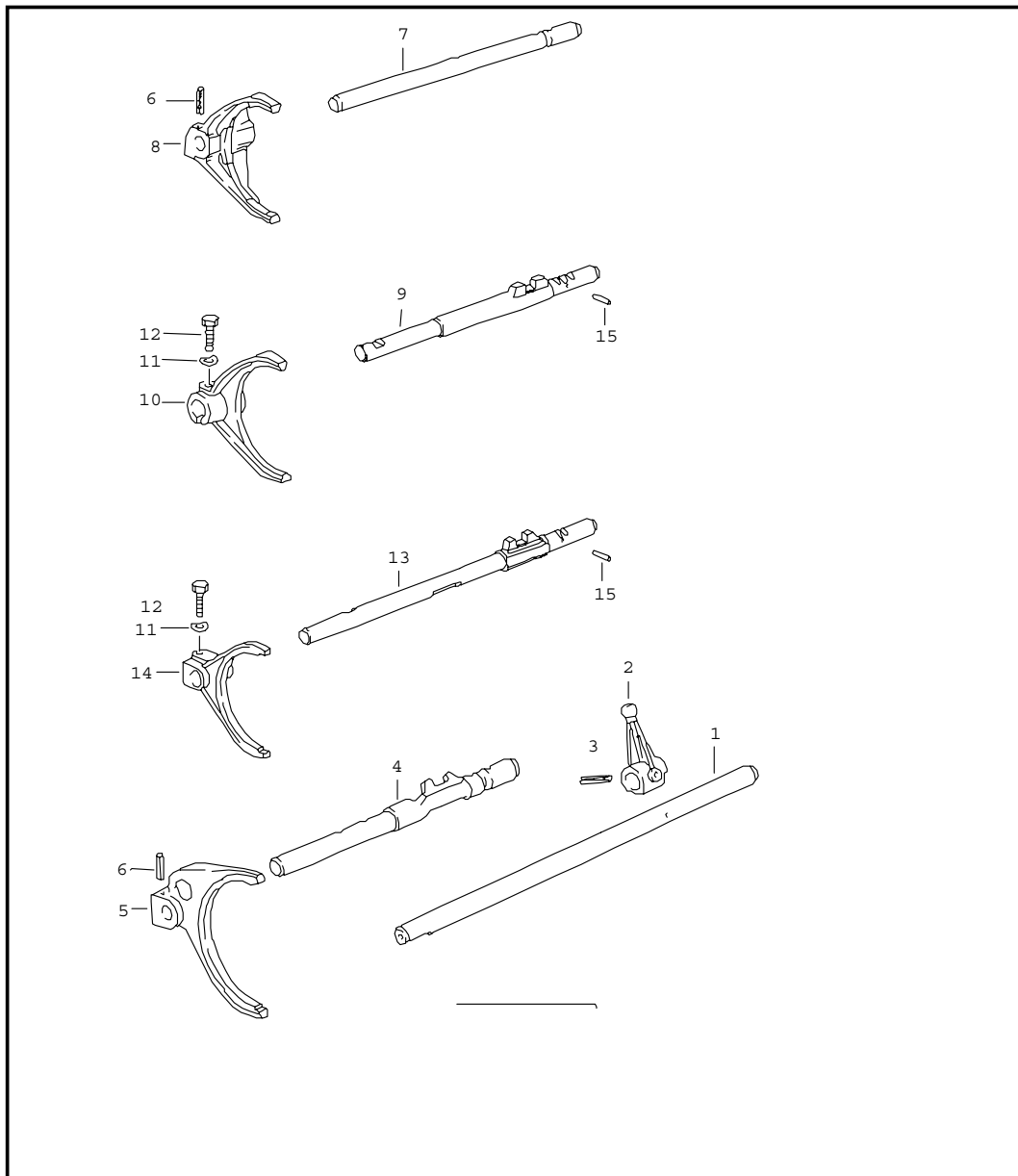
Model	Year	MG	SG	Illustration	Restrictions	Update	17:34	23.08.2006	PORSCHE	PET	PORSCHE
993	98	3	03	303-10		203					

Pos	Part Number	Name	Remarks	Qty	Model	Pos	Part Number	Name	Remarks	Qty	Model
8	950 304 021 23	guide sleeve 3rd, 4th speed \$ 33,66 MM inner G50.20 1 002694 >> G50.20 2 002174 >> G50.21 1 005073 >> G50.21 2 003095 >>	95- 95- 95- 95-	1		21	A 950 302 268 06	spacer sleeve		1	
						21	950 302 268 06	spacer sleeve		1	
						(21)	950 302 268 12	spacer sleeve		1	G64.51
						(21A)	A 950 302 270 01	spacer sleeve		1	
9	928 304 261 01	compression spring		9		(21A)	950 302 270 01	spacer sleeve		1	
10	999 201 259 04	needle cage 38 X 50 X 32,2 >> G50.20 1 002693 >> G50.20 2 002173 >> G50.21 1 005072 >> G50.21 2 003094		1		(21A)	950 302 270 02	spacer sleeve		1	G64.51
						22	-	pinion shaft		1	
						23	999 110 119 01	cylindrical-roller bearing 40 X 90 X 23		1	
10	999 201 442 00	needle-roller bearing 42 X 47 X 32 3rd speed G50.20 1 002694 >> G50.20 2 002174 >> G50.21 1 005073 >> G50.21 2 003095 >>		1		24	999 052 164 00	four-point bearing		1	
						25	-	fixed gear wheel 4th speed		1	
(10)	999 201 445 00	needle cage 32 X 47 X 32,2 4th speed		1	G50.31/32/33	26	950 302 267 01	spacer sleeve		1	
11	N 025 653 2	ball \$ 6,5 MM		9		27	-	fixed gear wheel 3rd speed		1	
12	950 302 294 05	thrust washer 4th speed		1		28	950 302 292 00	thrust washer 2nd gear		1	
13	928 304 251 00	stone		9		29	-	loose gear wheel 2nd gear		1	
14	-	loose gear wheel 4th speed		1		30	999 201 225 04	needle-roller bearing 39,68 X 50		1	
15	999 052 094 00	four-point bearing		1		31	950 304 617 20	ring		2	
16	999 110 117 01	cylindrical-roller bearing 30 X 62 X 20		1		31	950 304 617 11	ring		2	G50.32
17	999 034 033 00	hexagon nut M 30 X 1,5 MK		2		32	950 304 613 20	cone ring		2	
18	-	fixed gear wheel 5th speed		1		32	950 304 613 11	cone ring		2	G50.32
19	-	fixed gear wheel reverse gear wheel		1		33	950 304 611 20	synchroniser ring		2	
20	-	fixed gear wheel 6th gear		1		33	950 304 611 11	synchroniser ring		2	G50.32
						34	A 950 304 061 02	guide sleeve 1st/2nd gear		1	
						34	950 304 061 02	guide sleeve 1st/2nd gear		1	
						35	-	loose gear wheel 1st gear		1	

Model	Year	MG	SG	Illustration	Restrictions	Update	17:34	23.08.2006	PORSCHE	PET	PORSCHE
993	98	3	03	303-10		203					

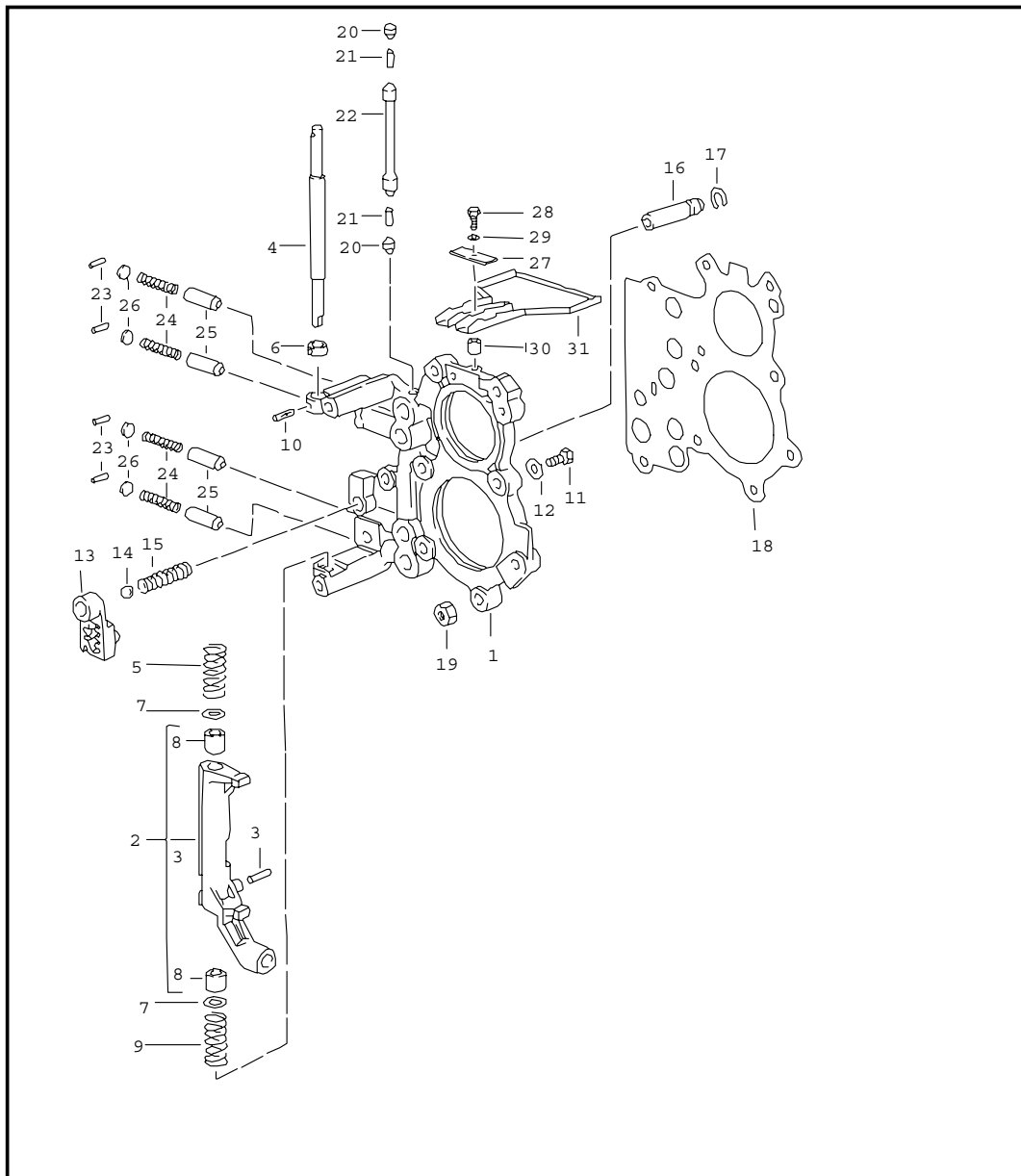
Pos	Part Number	Name	Remarks	Qty	Model	Pos	Part Number	Name	Remarks	Qty	Model
36	950 302 295 07	thrust washer 1st gear 6th gear		2							
37	-	loose gear wheel 6th gear		1							
38	950 304 021 23	guide sleeve 5. / 6. GANG		1							
39	999 201 253 00	needle cage		1							
40	-	loose gear wheel reverse gear		1							
41	950 302 296 07	thrust washer reverse gear		1							
42	950 302 228 03	bolt		1							
43	N 013 302 1	roll pin		1							
44	999 201 227 00	needle cage		1							
45	-	reverse idler gear		1							
46	950 302 297 10	thrust washer		1							
47	950 302 230 00	screw plug		1							
48	950 302 297 12	thrust washer reverse idler gear		2							
49	999 034 034 00	hexagon nut M 30 X 1,25	95-	1							
50	950 304 651 00	stone		3							
51	900 108 058 00	ball \$ 5 MM		3							
52 A	950 304 661 03	compression spring		3							
52	950 304 661 03	compression spring		3							
53	-	loose gear wheel 5th speed									
54	950 304 021 24	guide sleeve reverse gear		1							
55	950 302 296 07	thrust washer		1							
--	964 307 109 00	cover		1	G64.51						
		- - - E N D - - -									

Model	Year	MG	SG	Illustration	Restrictions	Update	17:34	23.08.2006	PORSCHE	PET	PORSCHE
993	98	3	04	304-00		203					



Pos	Part Number	Name	Remarks	Qty	Model
		gear shift rod shift fork	95-		G50.20/21 G64.20/21 G50.31/33 G50.32 G64.51
1	950 303 109 12	inner shift rod		1	
2	950 303 120 01	shift lever		2	
3	900 309 024 00	roll pin 5 X 26		1	
4	950 303 101 02	gear shift rod 1st/2nd gear		1	
5	950 303 111 04	shift fork 1st/2nd gear		1	
6	900 095 017 01	roll pin 5 X 24		4	
7	950 303 103 00	gear shift rod 3rd, 4th speed		1	
8	950 303 113 04	shift fork 3rd, 4th speed		1	G50.32
8 A	950 303 113 06	shift fork 3rd, 4th speed		1	
8	950 303 113 06	shift fork 3rd, 4th speed		1	
9	950 303 106 00	gear shift rod 5th and 6th speed		1	
10	950 303 116 00	shift fork 5th and 6th speed		1	
11	900 025 007 02	washer A 8,4		2	
12	900 075 099 02	hexagon-head bolt M 8 X 30		2	
13	950 303 105 05	gear shift rod reverse gear		1	
14	950 303 115 03	shift fork reverse gear		1	
15	950 303 143 00	detent		2	
- - - E N D - - -					

Model	Year	MG	SG	Illustration	Restrictions	Update	17:34	23.08.2006	PORSCHE	PET	PORSCHE
993	98	3	04	304-05		203					

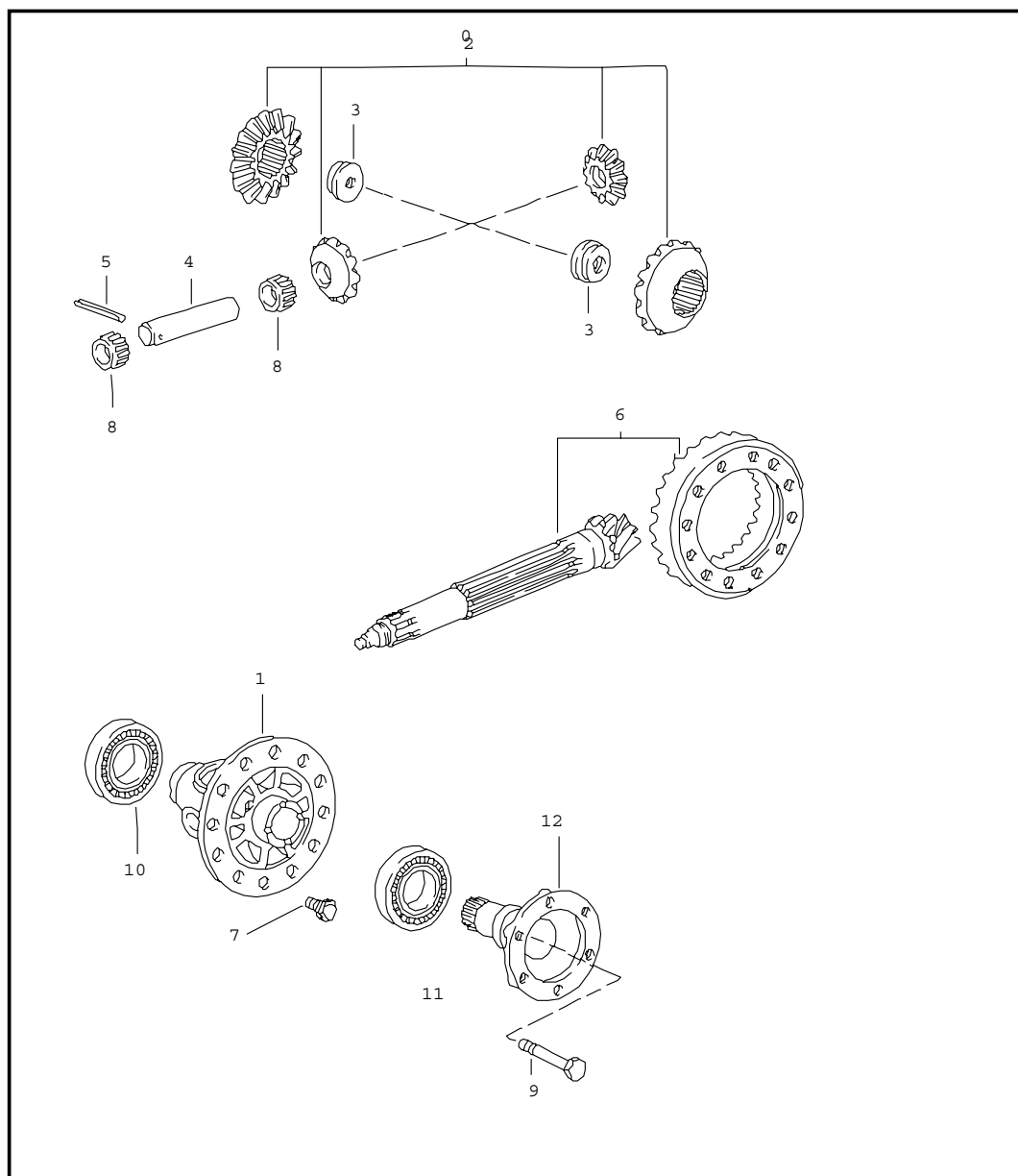


Pos	Part Number	Name	Remarks	Qty	Model
		tensioning plate shift control lock device	95-		G50.20/21 G64.20/21 G50.31/33 G64.51
1	950 303 130 55	tensioning plate	-95	1	
1	950 303 130 56	tensioning plate	96-	1	
2	950 303 035 06	reverse lever		1	
3	900 302 028 01	straight pin 4M 6 X 20		1	
4	950 303 134 02	shaft		1	G50.20/21 G64.20/21/51
4 A	950 303 134 02	shaft		1	G50.20/21 G64.20/21/51
4	950 303 134 05	shaft		1	G50.31/32/33
5	950 303 133 21	compression spring		1	
6	959 303 139 00	ring piece		1	
7	N 027 381 1	shim 10 X 16 X 1,0		2	
8	999 924 026 00	bush 12 X 14 X 15		2	
9	950 303 132 23	compression spring		1	
10	900 095 048 01	roll pin 4 X 22		1	
11	999 072 005 09	hexagon-head bolt M 6 X 12		1	
12	900 151 029 02	washer B 6,1 X 18 X 2		1	
13	950 303 140 04	reverse lever		1	
14	N 025 669 2	ball D = 10 MM		1	
15	950 303 137 00	compression spring		1	
16	950 303 136 00	bolt		1	
17	999 152 018 01	circlip		1	
18	950 303 125 10	adjusting shim 0,10 MM		X	

Model	Year	MG	SG	Illustration	Restrictions	Update	17:34	23.08.2006	PORSCHE	PET	PORSCHE
993	98	3	04	304-05		203					

Pos	Part Number	Name	Remarks	Qty	Model	Pos	Part Number	Name	Remarks	Qty	Model
18	950 303 125 11	adjusting shim 0,15 MM		X							
18	950 303 125 12	adjusting shim 0,20 MM		X							
19	900 076 025 02	hexagon-head bolt M 8		12							
20	950 303 142 00	detent		2							
21	950 303 143 00	detent		2							
22	959 303 141 00	detent		1							
23	900 109 106 00	needle-roller bearing 4H 11 X 16		4							
24	950 303 245 00	compression spring M 8		4							
25	950 303 930 00	tensioning plate		4							
(25)	950 303 041 00	arresting bush		4							
26	N 011 540 2	washer A 5,5		4							
27	950 307 121 00	retaining bracket		1							
28	999 075 055 02	hexagon-head bolt M 5 X 18		1							
29	900 025 003 02	washer A 5,3		1							
30	999 209 040 00	spacer sleeve 7 X 0,8 X 10,3		1							
31	950 307 101 00	cup		1	G50.20/21 G50.31/33 G64.20/21						
		- - - E N D - - -									

Model	Year	MG	SG	Illustration	Restrictions	Update	17:34	23.08.2006	PORSCHE	PET	PORSCHE
993	98	3	05	305-00		203					

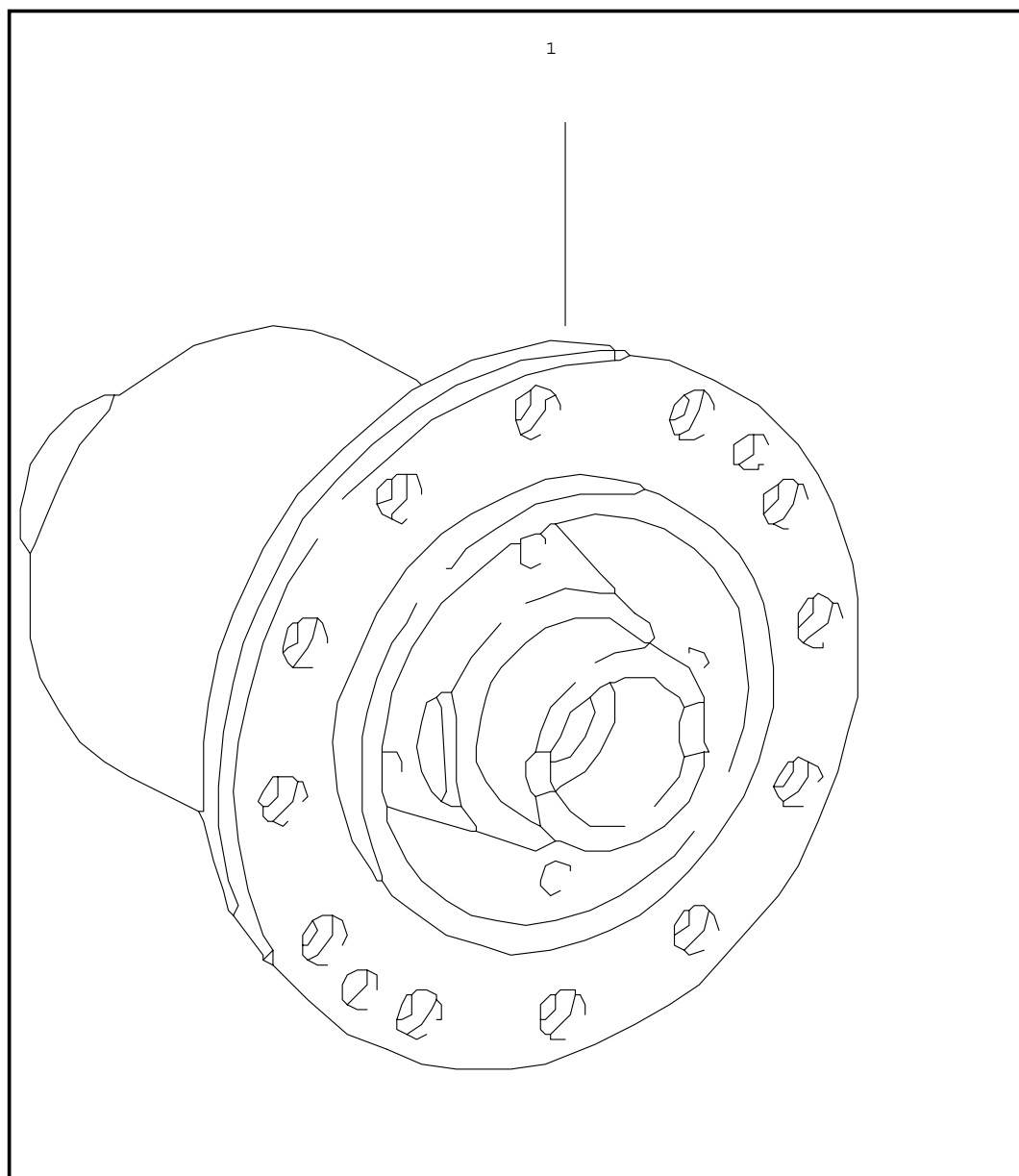


Pos	Part Number	Name	Remarks	Qty	Model
		differential			G50.20/21
1	950 332 212 01	differential housing		1	
2	950 332 902 00	gear set 1 set		1	
3	928 332 279 03	threaded disc		2	
4	928 332 207 07	differential bolt		1	
5	900 309 035 00	roll pin 5 X 40		1	
6	950 302 911 13	ring gear and pinion shaft 31:9		1	
7	928 332 276 05	hexagon-head bolt		12	
8	999 201 347 00	needle cage 18 X 22 X 19,8		2	
9	N 010 472 4	hexagon-head bolt M 10 X 85		2	
10	999 059 027 00	taper roller bearing 50 X 80 X 20		1	
11	999 059 064 00	taper roller bearing 50 X 90 X 21,7		1	
12	950 332 209 01	joint flange		2	G50.20/21 G64.20/21
13	950 332 268 00	adjusting ring 0,25 MM		X	
13	950 332 268 01	adjusting ring 1,6 MM		X	
13	950 332 268 02	adjusting ring 1,7 MM		X	
13	996 332 266 56	adjusting ring 1,8 MM		X	
13	950 332 268 04	adjusting ring 1,9 MM		X	
13	950 332 268 05	adjusting ring 2,0 MM		X	
13	950 332 268 06	adjusting ring 2,1 MM		X	
13	950 332 268 07	adjusting ring 2,2 MM		X	

Model	Year	MG	SG	Illustration	Restrictions	Update	17:34	23.08.2006	PORSCHE	PET	PORSCHE
993	98	3	05	305-00		203					

Pos	Part Number	Name	Remarks	Qty	Model	Pos	Part Number	Name	Remarks	Qty	Model
13	950 332 268 08	adjusting ring 2,3 MM		X							
13	950 332 268 09	adjusting ring 2,4 MM		X							
13	950 332 268 10	adjusting ring 2,5 MM		X							
13	950 332 268 11	adjusting ring 2,6 MM		X							
13	950 332 268 12	adjusting ring 2,7 MM		X							
13	996 332 266 76	adjusting ring 2,8 MM		X							
13	950 332 268 14	adjusting ring 2,9 MM		X							
13	996 332 266 50	adjusting ring 3,0 MM		X							
13	950 332 268 16	adjusting ring 3,1 MM		X							
--	950 332 205 00	spacer sleeve for differential bolt		1							
		- - - E N D - - -									

Model	Year	MG	SG	Illustration	Restrictions	Update	17:35	23.08.2006	PORSCHE	PET	PORSCHE
993	98	3	05	305-05		203					

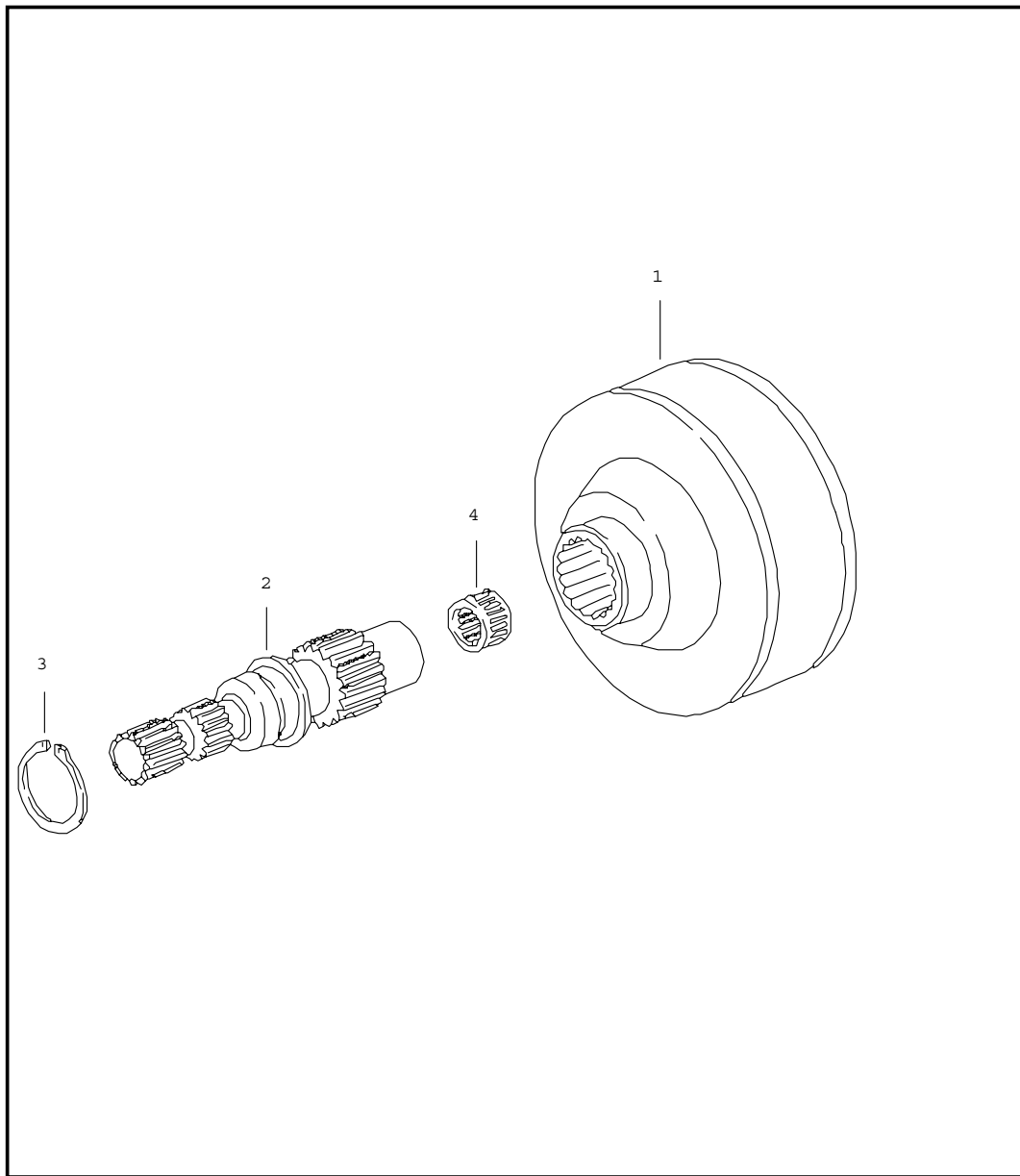


Pos	Part Number	Name	Remarks	Qty	Model
		limited-slip differential	95-		G50.20/21 G64.20/21 G50.31/32/33 G64.51/52
		complete and repair kits			
1	A 950 332 053 05	limited-slip differential 25/65 % FA.ZF	-95	1	G50.20/21
(1)	950 332 083 02	limited-slip differential 25/65 % FA.GKN	96-	1	G50.20/21
(1)	950 332 083 03	limited-slip differential 22/40 % FA.GKN		1	G64.20/21 G64.51
(1)	950 332 083 38	limited-slip differential 40/65 % FA.GKN		1	G50.31/32/33
2	950 332 983 09	vanes set FA.GKN		1	G50.20/21
(2)	950 332 983 08	vanes set FA.GKN		1	G64.21/22 G64.51/52
(2)	950 332 983 32	vanes set FA.GKN		1	G50.31/32/33
3	950 332 983 02	gear set FA.GKN		1	G50.20/21 G50.31/32/33 G64.21/22 G64.51/52
		complete			
4	950 332 983 03	countersunk-head screw set FA.GKN		1	
5	950 332 983 06	axle set FA.GKN		1	
6	950 332 983 05	ring set FA. GKN		1	
7	950 332 268 00	adjusting ring 0,25 MM		X	

Model	Year	MG	SG	Illustration	Restrictions	Update	17:35	23.08.2006	PORSCHE	PET	PORSCHE
993	98	3	05	305-05		203					

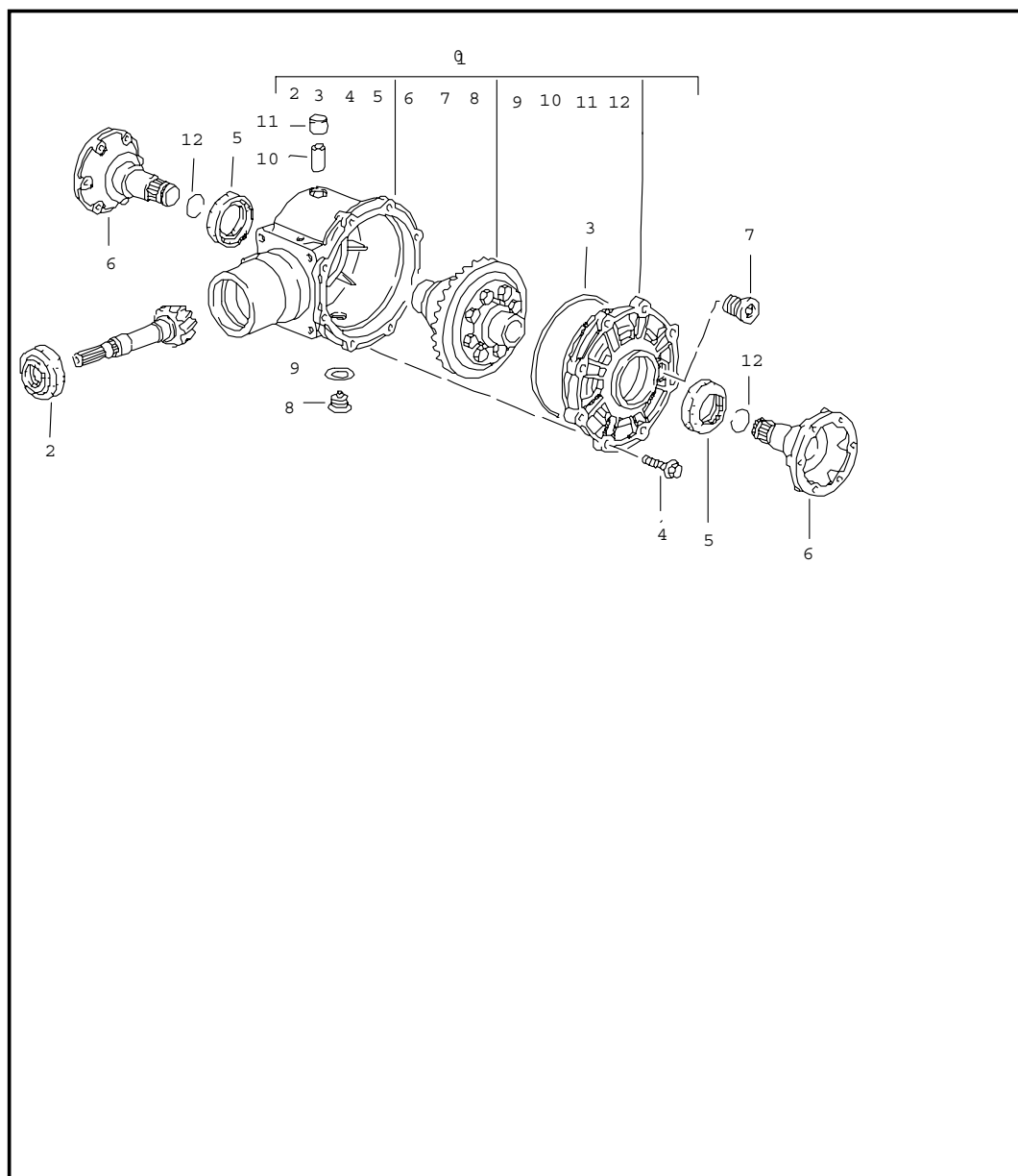
Pos	Part Number	Name	Remarks	Qty	Model	Pos	Part Number	Name	Remarks	Qty	Model
7	950 332 268 01	adjusting ring 1,6 MM		X				- - - E N D - - -			
7	950 332 268 02	adjusting ring 1,7 MM		X							
7	996 332 266 56	adjusting ring 1,8 MM		X							
7	950 332 268 04	adjusting ring 1,9 MM		X							
7	950 332 268 05	adjusting ring 2,0MM		X							
7	950 332 268 06	adjusting ring 2,1 MM		X							
7	950 332 268 07	adjusting ring 2,2 MM		X							
7	950 332 268 08	adjusting ring 2,3 MM		X							
7	950 332 268 09	adjusting ring 2,4 MM		X							
7	950 332 268 10	adjusting ring 2,5 MM		X							
7	950 332 268 11	adjusting ring 2,6 MM		X							
7	950 332 268 12	adjusting ring 2,7 MM		X							
7	996 332 266 76	adjusting ring 2,8 MM		X							
7	950 332 268 14	adjusting ring 2,9 MM		X							
7	996 332 266 50	adjusting ring 3,0 MM		X							
7	950 332 268 16	adjusting ring 3,1 MM		X							
8	999 059 064 00	taper roller bearing 50 X 90		1							
9	950 332 209 01	joint flange		2							
10	900 074 068 02	hexagon-head bolt M 10 X 85		2							
11	999 059 066 01	taper roller bearing 50 X 80 X 20		1							

Model	Year	MG	SG	Illustration	Restrictions	Update	17:35	23.08.2006	PORSCHE	PET	PORSCHE
993	98	3	05	305-10		203					



Pos	Part Number	Name	Remarks	Qty	Model
		viscous clutch			G64.20/21 G64.51
1	964 339 021 01	viscous clutch		1	
2	964 302 112 06	drive shaft		1	
3	N 012 375 1	circlip 30 X 1,5		1	
4	999 201 054 00	needle cage 12 X 18 X 12		1	
5	900 041 012 01	circlip 22 X 1,2		1	
- - - E N D - - -					

Model	Year	MG	SG	Illustration	Restrictions	Update	17:35	23.08.2006	PORSCHE	PET	PORSCHE
993	98	3	05	305-15		203					

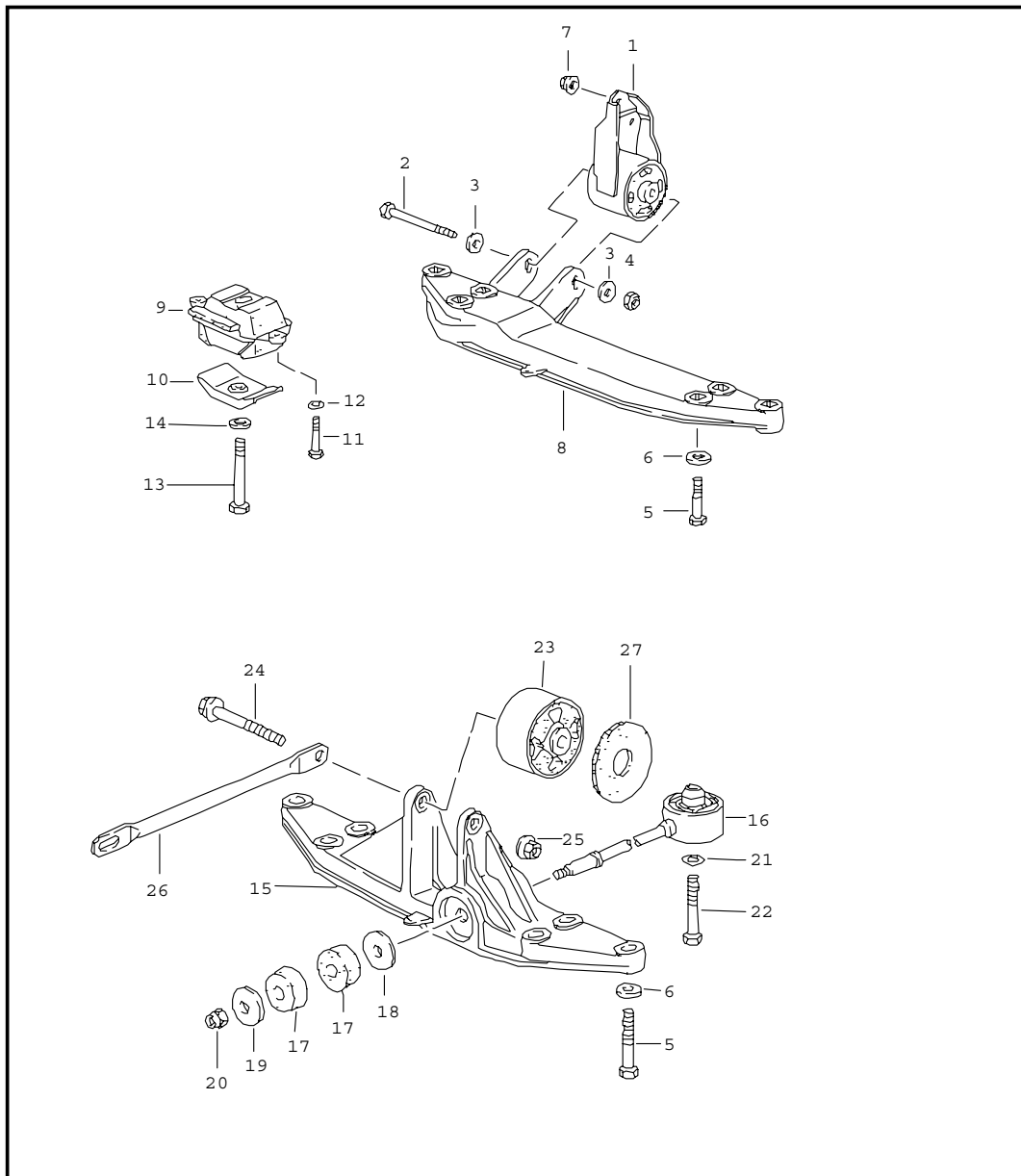


Pos	Part Number	Name	Remarks	Qty	Model
		front-axle final drive	C4 95- (RC)		Z64.20 Z64.52
1	A 964 349 010 22	transmission 31 : 9 ready for installation		1	Z64.20
1	A 964 349 010 24	front-axle final drive 31 : 9 ready for installation		1	Z64.20
1	964 349 010 24	transmission 31 : 9 ready for installation		1	Z64.20
(1)	964 349 010 52	transmission 32 : 11 ready for installation	(RC)	1	Z64.52
2	999 113 456 40	shaft seal B 25 X 65 X 10		1	
3	999 701 743 40	o-ring 144,5 X 3		1	
4	900 378 033 02	hexagon-head bolt M 8 X 30		8	
5	999 113 454 40	shaft seal 40 X 60 X 9		2	
6	A 964 332 209 05	joint flange see technical information group 4 NR.3/95		2	
(6)	964 332 209 05	joint flange see technical information group 4 NR.3/95		2	
7	900 219 001 30	screw plug M 22 X 1,5		1	
8	999 063 008 02	screw plug M 22 X 1,5		1	
9	900 123 118 30	sealing ring A 22 X 27		1	
10	014 301 473	sleeve		1	
11	014 301 485	cap		1	
12	012 409 413 A	snap ring		2	

Model	Year	MG	SG	Illustration	Restrictions	Update					
993	98	3	05	305-15		203	17:35	23.08.2006	PORSCHE	PET	PORSCHE

Pos	Part Number	Name	Remarks	Qty	Model	Pos	Part Number	Name	Remarks	Qty	Model
		- - - E N D - - -									

Model	Year	MG	SG	Illustration	Restrictions	Update	17:35	23.08.2006	PORSCHE	PET	PORSCHE
993	98	3	07	307-00		203					

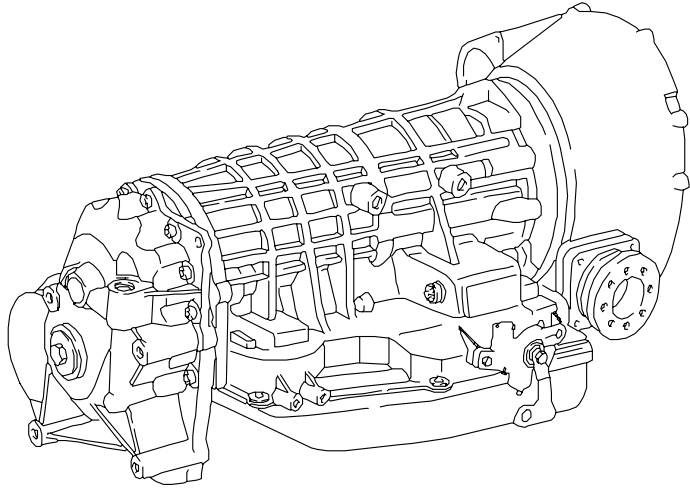


Pos	Part Number	Name	Remarks	Qty	Model
		transmission suspension			
		G64.20/21 G64.51/52			
1	993 375 023 00	bearing bracket		1	
2	900 075 455 09	hexagon-head bolt M10 X 100		1	
3	999 025 195 02	washer 10,3 X 25 X 3		2	
4	900 910 031 09	lock nut M10		1	
5	999 075 059 09	hexagon-head bolt M 10 X 70		6	
6	999 025 196 02	washer 10,3 X 28 X 5		6	
7	900 380 007 09	hexagon nut M10		3	
8	993 375 313 01	bracket		1	
9	964 375 053 01	bearing bracket		1	
10	964 375 183 01	stop		1	
11	900 075 073 09	hexagon-head bolt M8 X 45		2	
12	900 025 007 02	washer A 8,4		2	
13	900 083 074 09	hexagon-head bolt M12 X 1,5 X 75		1	
14	999 025 215 02	washer 12,1 X 26/26		1	
15	A 993 375 309 00	transmission carrier		1	
15	993 375 309 00	transmission carrier		1	
16	964 375 070 04	bracket		1	
17	964 375 211 01	rubber buffer		2	
18	999 025 182 02	washer 13,2 X 44 X 5		1	

Model	Year	MG	SG	Illustration	Restrictions	Update					
993	98	3	07	307-00		203	17:35	23.08.2006	PORSCHE	PET	PORSCHE

Pos	Part Number	Name	Remarks	Qty	Model	Pos	Part Number	Name	Remarks	Qty	Model
19	999 025 181 02	washer 10,1 X 44 X 5		1							
20	900 910 031 09	lock nut VM 10		1							
21	900 025 009 02	washer A 13		1							
22	900 082 034 09	hexagon-head bolt M 12 X 1,5 X 65		1							
23	964 375 055 02	transmission mounting		1	G50.20/21						
23	964 375 055 80	transmission mounting		1	G50.31/32/33						
24	900 378 023 09	hexagon-head bolt M 12 X 1,5 X 100		1							
25	999 084 445 09	lock nut M 12 X 1,5		1							
26	993 504 621 00	strut		2							
27	964 375 255 00	stop		2							
--	993 504 623 00	support for strut		1							
--	900 075 199 02	hexagon-head bolt M 12 X 22		2							
--	900 025 009 02	washer A 13		2							
		- - - E N D - - -									

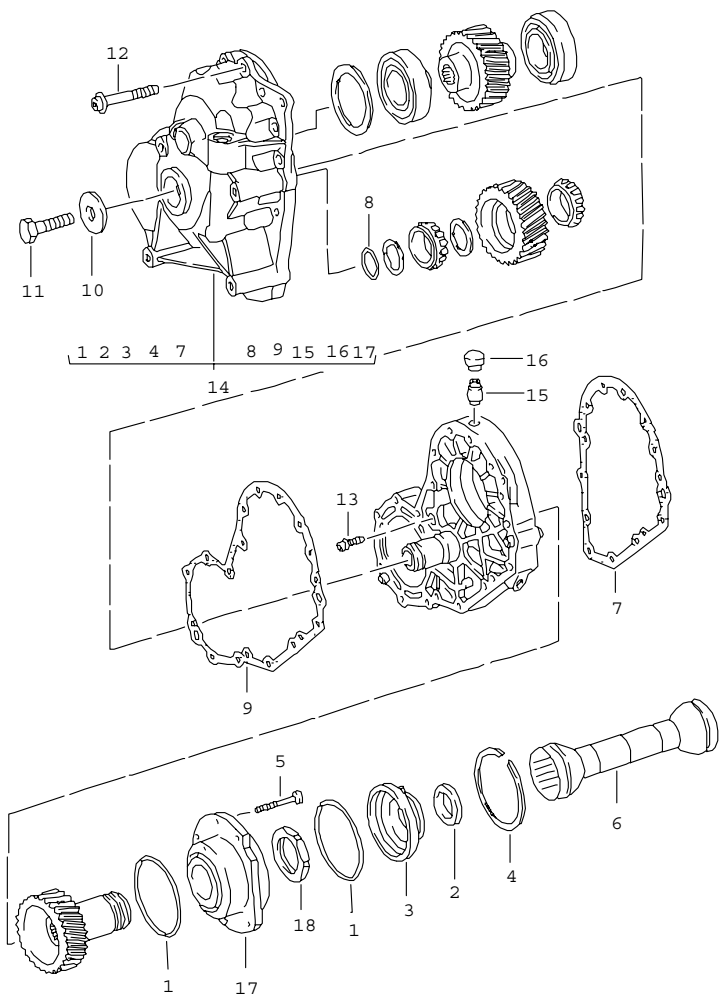
Model	Year	MG	SG	Illustration	Restrictions	Update	17:36	23.08.2006	PORSCHE	PET	PORSCHE
993	98	3	20	320-00		203					



1

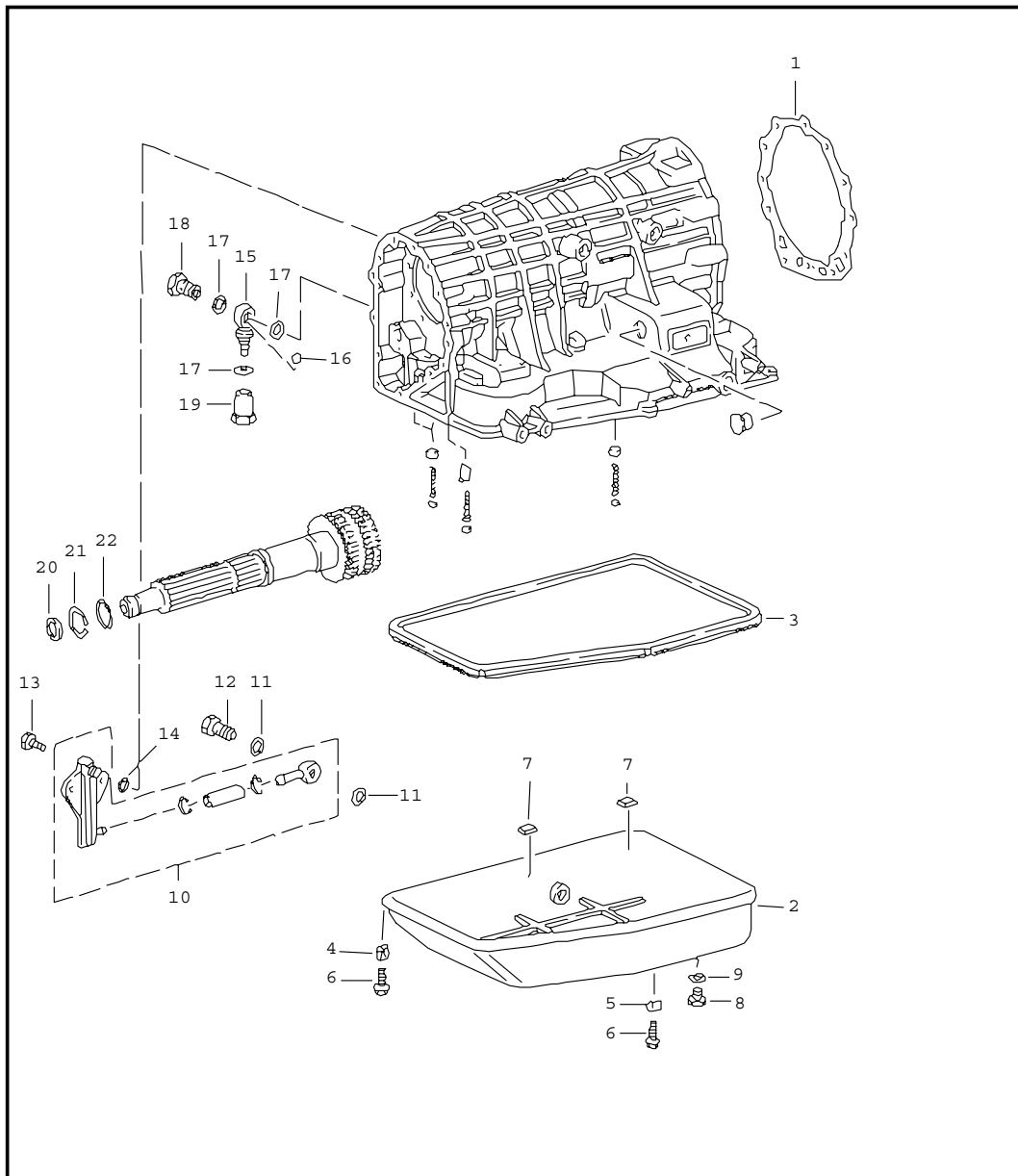
Pos	Part Number	Name	Remarks	Qty	Model
		TIPTRONIC replacement transmission	-96 97-		A50.04/05 A50.06/07
		from model year 97 introduction attention			
1	> 943 300 010 04	transmission	-96	1	A50.04
1	943 300 010 06	transmission	97-	1	A50.06
1	943 300 010 05	transmission	-96	1	A50.05 (RC)
1	943 300 010 07	transmission	97-	1	A50.07 (RC)
		- - - E N D - - -			

Model	Year	MG	SG	Illustration	Restrictions	Update	17:36	23.08.2006	PORSCHE	PET	PORSCHE
993	98	3	20	320-01		203					



Pos	Part Number	Name	Remarks	Qty	Model
		TIPTRONIC spur gears intermediate plate			A50.04/05
1	943 397 022 00	round seal		2	
2	943 397 023 01	shaft seal 30 X 45 X 8		1	
3	943 321 861 00	housing		1	
4	943 397 029 00	snap ring SB 86		1	
5	943 397 024 00	pan-head screw M 8 X 55		1	
6	943 321 831 00	protective tube		1	
7	943 321 150 03	gasket		1	
8	943 397 028 00	round seal		1	
9	943 321 138 01	gasket		1	
10	943 397 025 00	washer		1	
11	N 010 275 3	hexagon-head bolt M 10 X 35		1	
12	943 397 026 00	pan-head screw		11	
13	943 397 027 00	pan-head screw		2	
14	943 300 911 01	transmission cover complete with spur gears		1	
15	943 321 311 00	breather pipe		1	
16	943 321 312 01	bleeder		1	
17	943 302 083 04	bearing sleeve		1	
18	964 302 270 00	lock nut		1	
		- - - E N D - - -			

Model	Year	MG	SG	Illustration	Restrictions	Update	17:36	23.08.2006	PORSCHE	PET	PORSCHE
993	98	3	20	320-02		203					

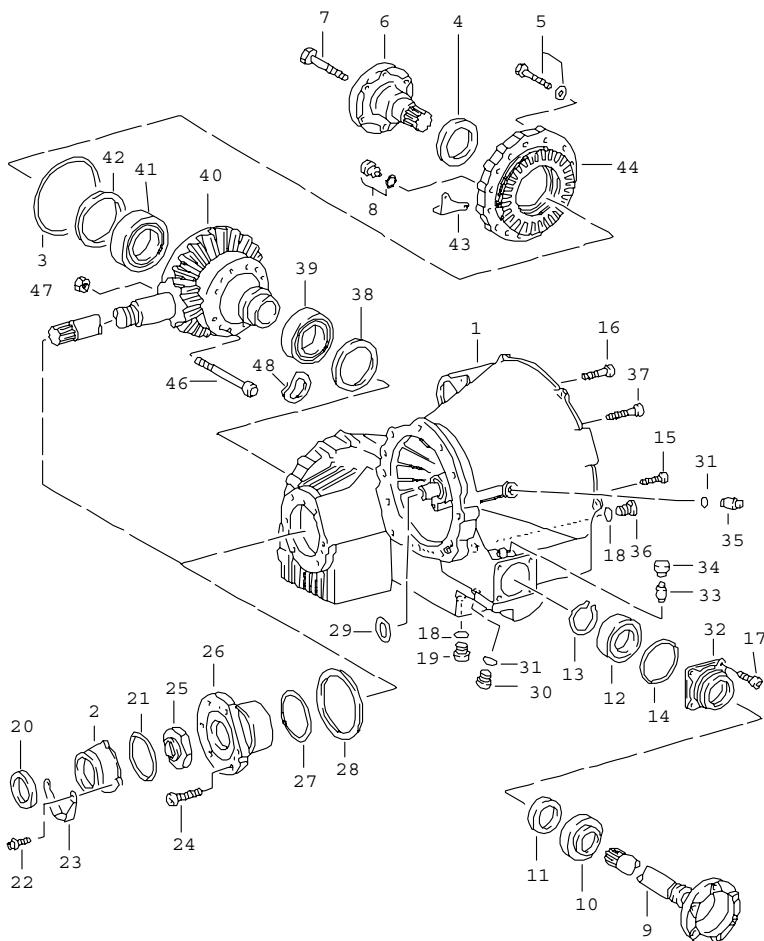


Pos	Part Number	Name	Remarks	Qty	Model
		TIPTRONIC transmission case oil pan			A50.04/05
1	943 321 134 01	gasket		1	
2	943 321 025 06	oil pan		1	
3	943 321 123 06	gasket		1	
4	943 321 161 01	retaining bracket		4	
5	943 321 163 00	retaining bracket		2	
6	943 397 001 00	hexagon-head bolt M 6		6	
7	943 321 119 00	magnet		2	
8	900 219 002 01	screw plug M 14 X 1,5		1	
9	900 123 104 30	sealing ring A 14 X 18		1	
10	943 321 027 01	container		1	
11	900 123 116 30	sealing ring A 12 X 15,5		2	
12	N 021 071 2	banjo bolt 8		1	
13	900 236 014 02	screw M 6 X 4		2	
14	943 397 032 00	round seal		1	
15	943 307 101 00	connection piece		1	
16	N 025 657 1	ball 6 MM		1	
17	900 123 007 30	sealing ring A 14 X 18		3	
18	N 021 074 1	banjo bolt LL 10		1	
19	960 307 163 00	screw plug		1	
20	943 397 037 00	round seal		1	
21	999 041 022 00	circlip 27 X 1,2		1	
22	943 397 035 00	sealing ring		1	

Model	Year	MG	SG	Illustration	Restrictions	Update					
993	98	3	20	320-02		203	17:36	23.08.2006	PORSCHE	PET	PORSCHE

Pos	Part Number	Name	Remarks	Qty	Model	Pos	Part Number	Name	Remarks	Qty	Model
		- - - E N D - - -									

Model	Year	MG	SG	Illustration	Restrictions	Update	17:36	23.08.2006	PORSCHE	PET	PORSCHE
993	98	3	20	320-03		203					



Pos	Part Number	Name	Remarks	Qty	Model
		TIPTRONIC differential housing			A50.04/05
1	943 321 041 00	rear axle housing		1	
2	943 321 851 00	housing		1	
3	943 397 020 00	round seal		1	
4	943 397 019 01	shaft seal 48 X 68 X 10		1	
5	N 010 247 7	hexagon-head bolt M 8 X 35		11	
6	943 332 210 01	joint flange	/R	1	
7	900 074 064 02	hexagon-head bolt M 10 X 60		1	
8	900 219 001 30	screw plug M 22 X 1,5		1	
9	943 332 209 01	joint flange	/L	1	
10	943 332 207 01	protective ring		1	
11	943 397 021 01	shaft seal 40 X 55 X 10		1	
12	999 052 141 00	deep-groove ball bearing 35 X 62 X 14		1	
13	900 041 016 01	circlip 35 X 1,5		1	
14	943 397 017 00	round seal		1	
15	943 397 015 00	pan-head screw		3	
16	943 397 014 00	pan-head screw		6	
17	943 397 016 00	pan-head screw M 8 X 25		4	
18	900 123 118 30	sealing ring A 22 X 27		3	
19	999 063 008 02	screw plug M 22 X 1,5		1	
20	943 397 036 00	shaft seal		1	
21	943 397 034 00	round seal M 6 X 15		1	
23	964 119 181 01	support		1	

Model	Year	MG	SG	Illustration	Restrictions	Update	17:36	23.08.2006	PORSCHE	PET	PORSCHE
993	98	3	20	320-03		203					

Pos	Part Number	Name	Remarks	Qty	Model	Pos	Part Number	Name	Remarks	Qty	Model
24	943 397 038 00	pan-head screw M 10 X 35		6		29	943 323 291 01	adjusting shim 1,00 MM		X	
25	999 034 014 00	lock nut		1		29	943 323 291 02	adjusting shim 1,20 MM		X	
26	943 302 084 04	bearing sleeve		1		29	943 323 291 03	adjusting shim 1,40 MM		X	
27	999 701 964 40	round seal		1		29	943 323 291 04	adjusting shim 1,60 MM		X	
28	943 302 299 20	adjusting shim 1,30 MM		X		29	943 323 291 05	adjusting shim 1,80 MM		X	
28	943 302 299 21	adjusting shim 1,35 MM		X		29	943 323 291 06	adjusting shim 2,00 MM		X	
28	943 302 299 22	adjusting shim 1,40 MM		X		29	943 323 291 07	adjusting shim 2,20 MM		X	
28	943 302 299 23	adjusting shim 1,45 MM		X		29	943 323 291 08	adjusting shim 2,40 MM		X	
28	943 302 299 24	adjusting shim 1,50 MM		X		29	943 323 291 09	adjusting shim 2,60 MM		X	
28	943 302 299 25	adjusting shim 1,55 MM		X		29	943 323 291 10	adjusting shim 2,80 MM		X	
28	943 302 299 26	adjusting shim 1,60 MM		X		30	900 219 002 02	screw plug M 14 X 1,5 A 14 X 18		1	
28	943 302 299 27	adjusting shim 1,65 MM		X		32	943 321 145 06	housing		1	
28	943 302 299 28	adjusting shim 1,70 MM		X		33	943 321 311 00	breather pipe		1	
28	943 302 299 29	adjusting shim 1,75 MM		X		34	943 321 312 00	bleeder screw plug M 22 X 1,5		1 1	
28	943 302 299 30	adjusting shim 1,80 MM		X		37	943 397 040 00	pan-head screw		3	
28	943 302 299 31	adjusting shim 1,85 MM		X		38	943 332 218 10	adjusting shim 1,00 MM		X	
28	943 302 299 32	adjusting shim 1,90 MM		X		38	943 332 218 11	adjusting shim 1,05 MM		X	
28	943 302 299 33	adjusting shim 1,95 MM		X		38	943 332 218 12	adjusting shim 1,10 MM		X	
28	943 302 299 34	adjusting shim 2,00 MM		X		38	943 332 218 13	adjusting shim 1,15 MM		X	
29	943 323 291 00	adjusting shim 0,80 MM		X		38	943 332 218 14	adjusting shim 1,20 MM		X	

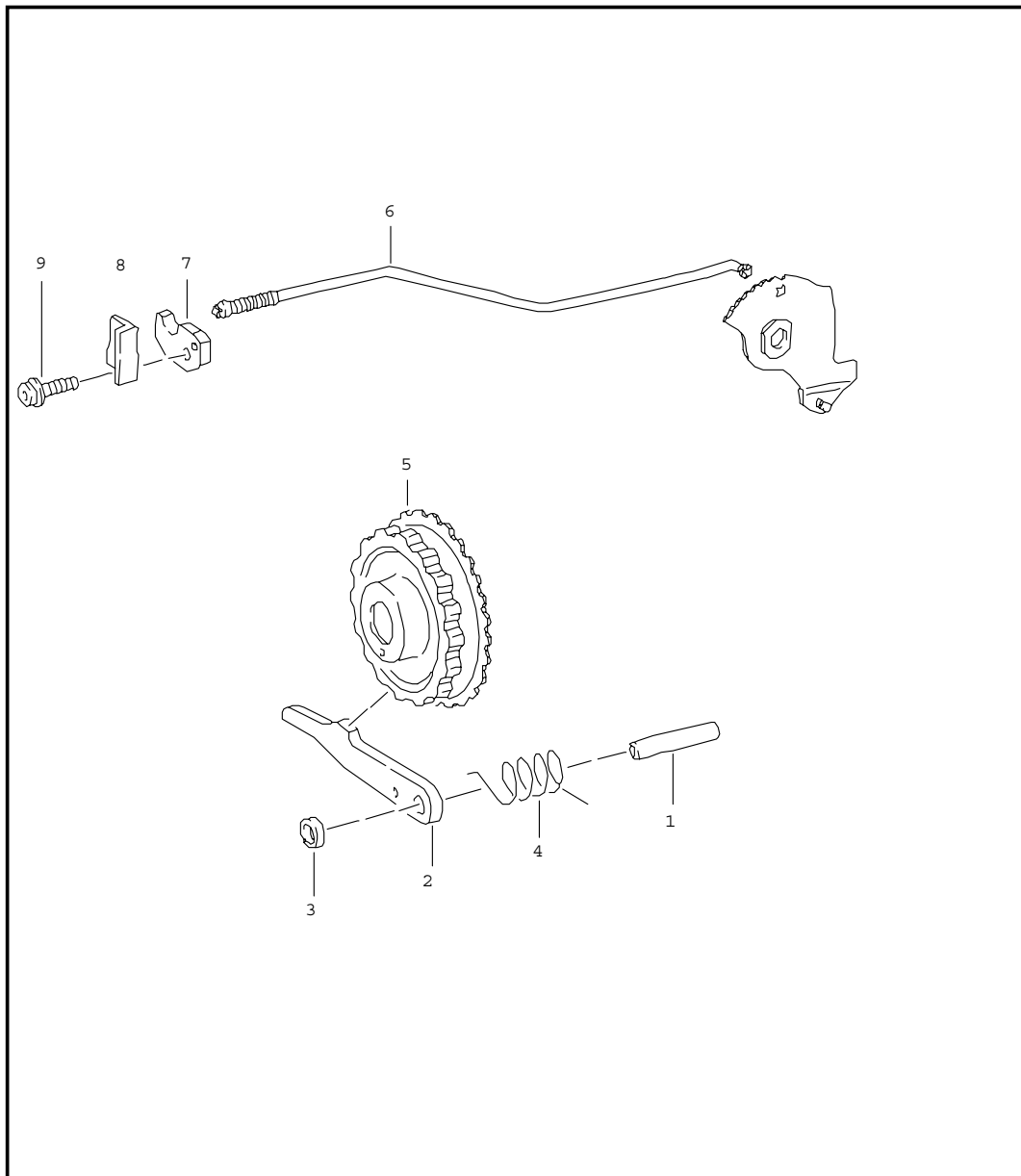
Model	Year	MG	SG	Illustration	Restrictions	Update	17:36	23.08.2006	PORSCHE	PET	PORSCHE
993	98	3	20	320-03		203					

Pos	Part Number	Name	Remarks	Qty	Model	Pos	Part Number	Name	Remarks	Qty	Model
38	943 332 218 15	adjusting shim 1,25 MM		X		42	943 332 219 11	adjusting shim 1,05 MM		X	
38	943 332 218 16	adjusting shim 1,30 MM		X		42	943 332 219 12	adjusting shim 1,10 MM		X	
38	943 332 218 17	adjusting shim 1,35 MM		X		42	943 332 219 13	adjusting shim 1,15 MM		X	
38	943 332 218 18	adjusting shim 1,40 MM		X		42	943 332 219 14	adjusting shim 1,20 MM		X	
38	943 332 218 19	adjusting shim 1,45 MM		X		42	943 332 219 15	adjusting shim 1,25 MM		X	
38	943 332 218 20	adjusting shim 1,50 MM		X		42	943 332 219 16	adjusting shim 1,30 MM		X	
38	943 332 218 21	adjusting shim 1,55 MM		X		42	943 332 219 17	adjusting shim 1,35 MM		X	
38	943 332 218 22	adjusting shim 1,60 MM		X		42	943 332 219 18	adjusting shim 1,40 MM		X	
38	943 332 218 23	adjusting shim 1,65 MM		X		42	943 332 219 19	adjusting shim 1,45 MM		X	
38	943 332 218 24	adjusting shim 1,70 MM		X		42	943 332 219 20	adjusting shim 1,50 MM		X	
38	943 332 218 25	adjusting shim 1,75 MM		X		42	943 332 219 21	adjusting shim 1,55 MM		X	
38	943 332 218 26	adjusting shim 1,80 MM		X		42	943 332 219 22	adjusting shim 1,60 MM		X	
38	943 332 218 27	adjusting shim 1,85 MM		X		42	943 332 219 23	adjusting shim 1,65 MM		X	
38	943 332 218 28	adjusting shim 1,90 MM		X		42	943 332 219 24	adjusting shim 1,70 MM		X	
38	943 332 218 29	adjusting shim 1,95 MM		X		42	943 332 219 25	adjusting shim 1,75 MM		X	
38	943 332 218 30	adjusting shim 2,00 MM		X		42	943 332 219 26	adjusting shim 1,80 MM		X	
39	999 059 112 00	taper roller bearing		1		42	943 332 219 27	adjusting shim 1,85 MM		X	
40	943 332 091 00	differential 33 : 9		1		42	943 332 219 28	adjusting shim 1,90 MM		X	
41	999 059 111 00	taper roller bearing		1		43	964 119 182 00	support		1	
42	943 332 219 10	adjusting shim 1,00 MM		X		44	943 321 134 07	transmission cover		1	

Model	Year	MG	SG	Illustration	Restrictions	Update	17:36	23.08.2006	PORSCHE	PET	PORSCHE
993	98	3	20	320-03		203					

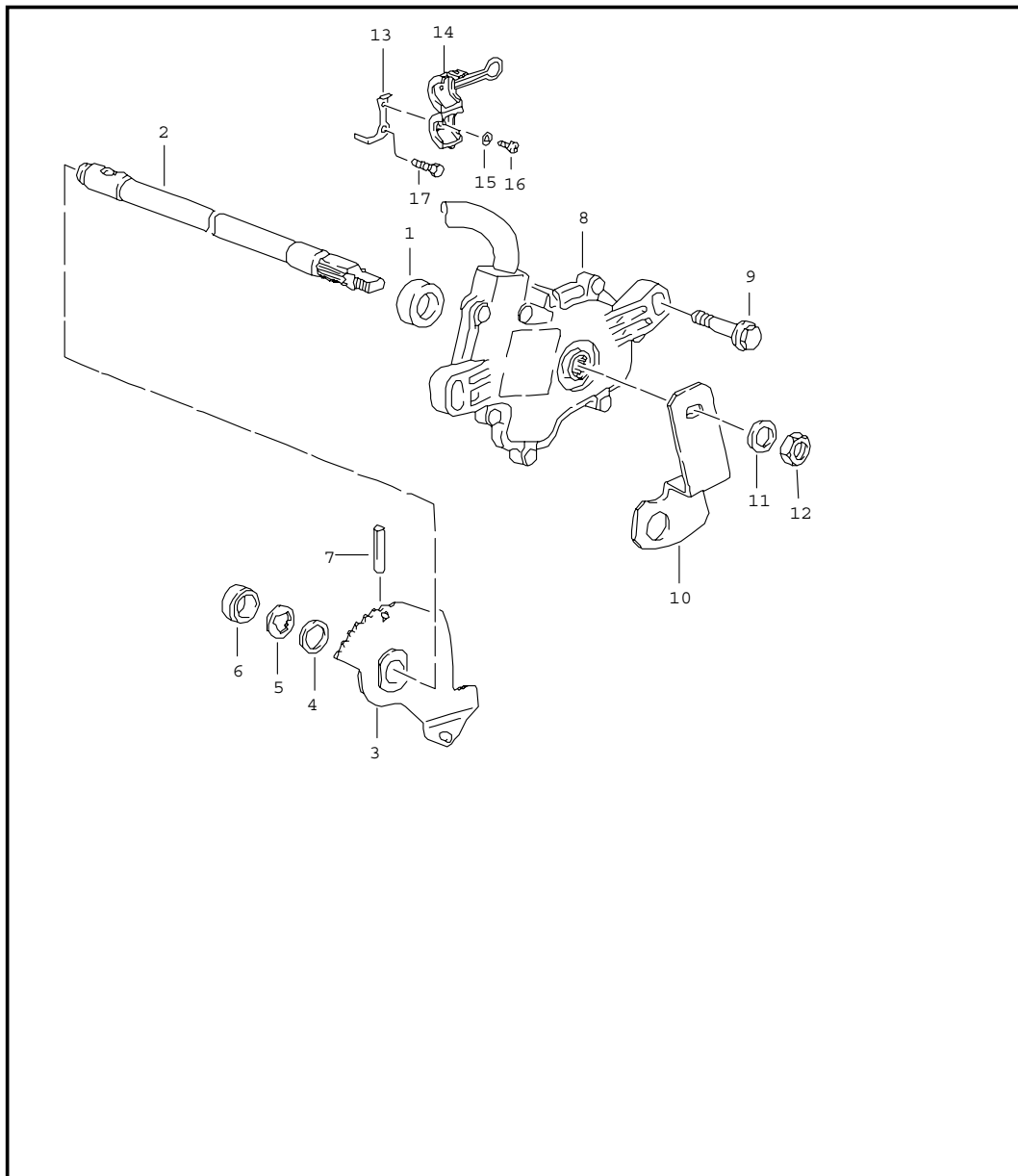
Pos	Part Number	Name	Remarks	Qty	Model	Pos	Part Number	Name	Remarks	Qty	Model
45	-	screw plug		1							
46	943 332 750 06	locking screw		12							
47	900 076 078 01	hexagon nut M 10 X 1,25		12							
48	943 332 101 00	spring washer GEWELLT POS.46/47/48 NUR FUER KD.		2							
		- - - E N D - - -									

Model	Year	MG	SG	Illustration	Restrictions	Update	17:36	23.08.2006	PORSCHE	PET	PORSCHE
993	98	3	20	320-04		203					



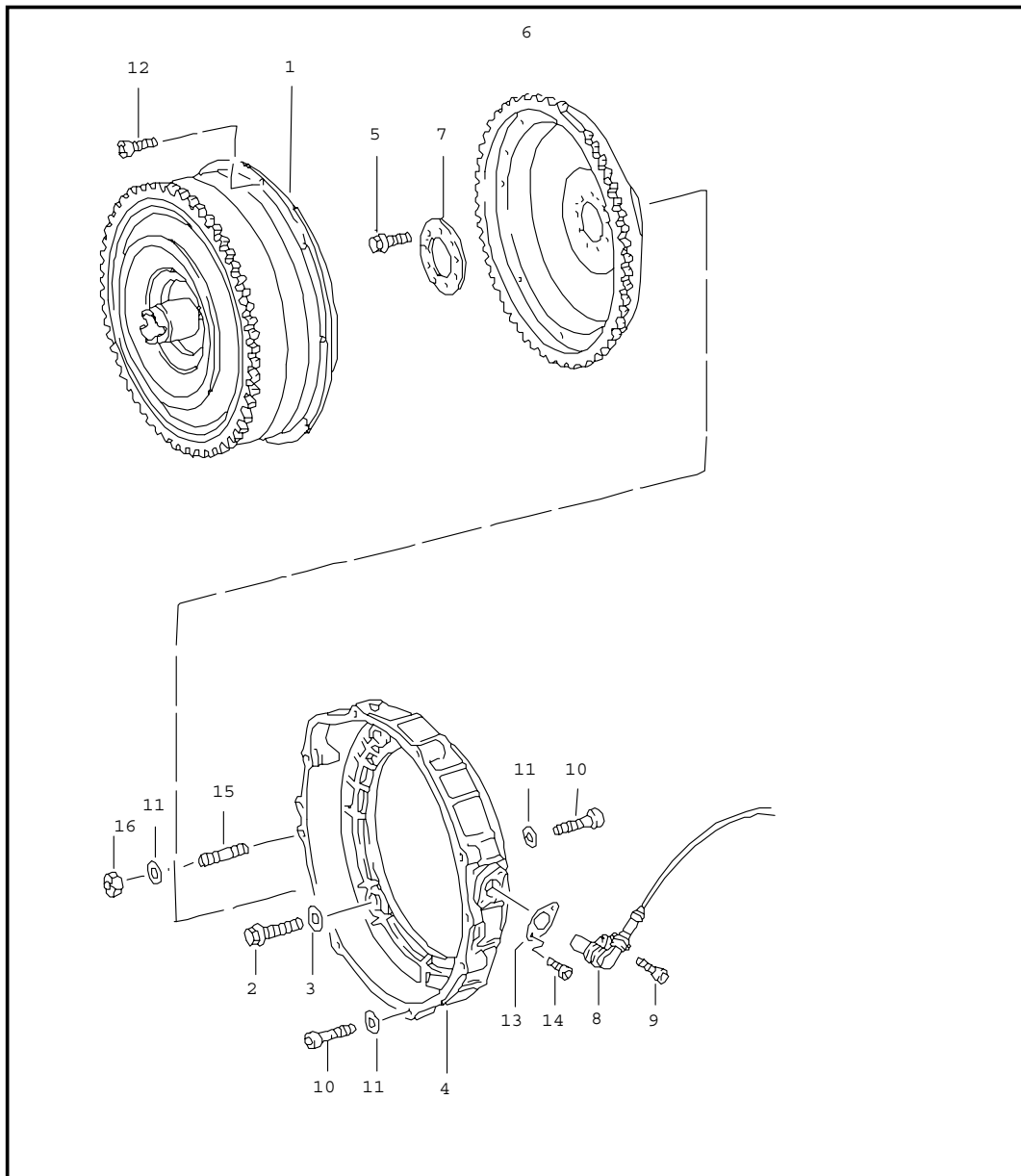
Pos	Part Number	Name	Remarks	Qty	Model
		TIPTRONIC parking lock			A50.04/05
1	943 303 107 00	bolt		1	
2	943 303 111 00	stop		1	
3	943 303 113 00	bush		1	
4	943 303 109 00	spring		1	
5	943 303 115 00	parking lock		1	
6	943 303 101 00	connecting rod		1	
7	943 303 103 00	guide piece		1	
8	943 303 105 00	guide plate		1	
9	943 397 039 00	pan-head screw		1	
		- - - E N D - - -			

Model	Year	MG	SG	Illustration	Restrictions	Update	17:37	23.08.2006	PORSCHE	PET	PORSCHE
993	98	3	20	320-05		203					



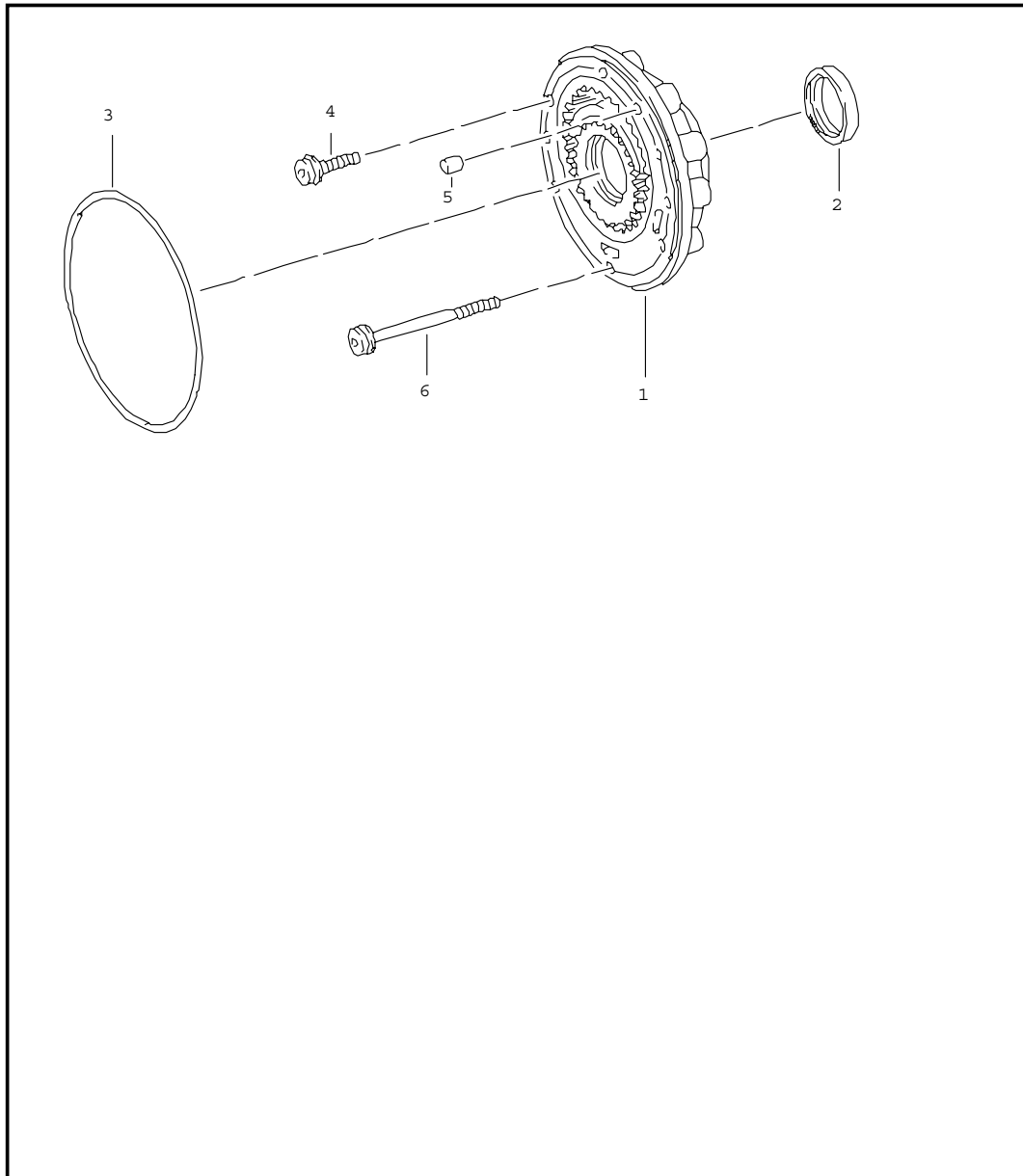
Pos	Part Number	Name	Remarks	Qty	Model
		TIPTRONIC selector switch			A50.04/05
1	943 397 018 03	shaft seal 10 X 18 X 5		1	
2	943 325 101 00	shaft		1	
4	900 234 029 00	shim 9 X 15 X 1,0		1	
5	900 041 037 01	circlip 9 X 1		1	
6	943 397 031 00	protection cap		1	
7	900 095 107 01	roll pin 5 X 22		1	
8	993 613 212 00	switch		1	
9	900 378 013 09	hexagon-head bolt M 6 X 25		2	
11	900 031 001 02	washer 8,4		1	
12	943 397 008 00	hexagon nut M 8 X 1		1	
13	964 612 471 00	support		1	
14	964 612 431 00	support		1	
15	900 025 002 02	washer A 4,3		1	
16	900 014 002 02	pan-head screw AM 4 X 6		1	
- - - E N D - - -					

Model	Year	MG	SG	Illustration	Restrictions	Update	17:37	23.08.2006	PORSCHE	PET	PORSCHE
993	98	3	30	330-00		203					



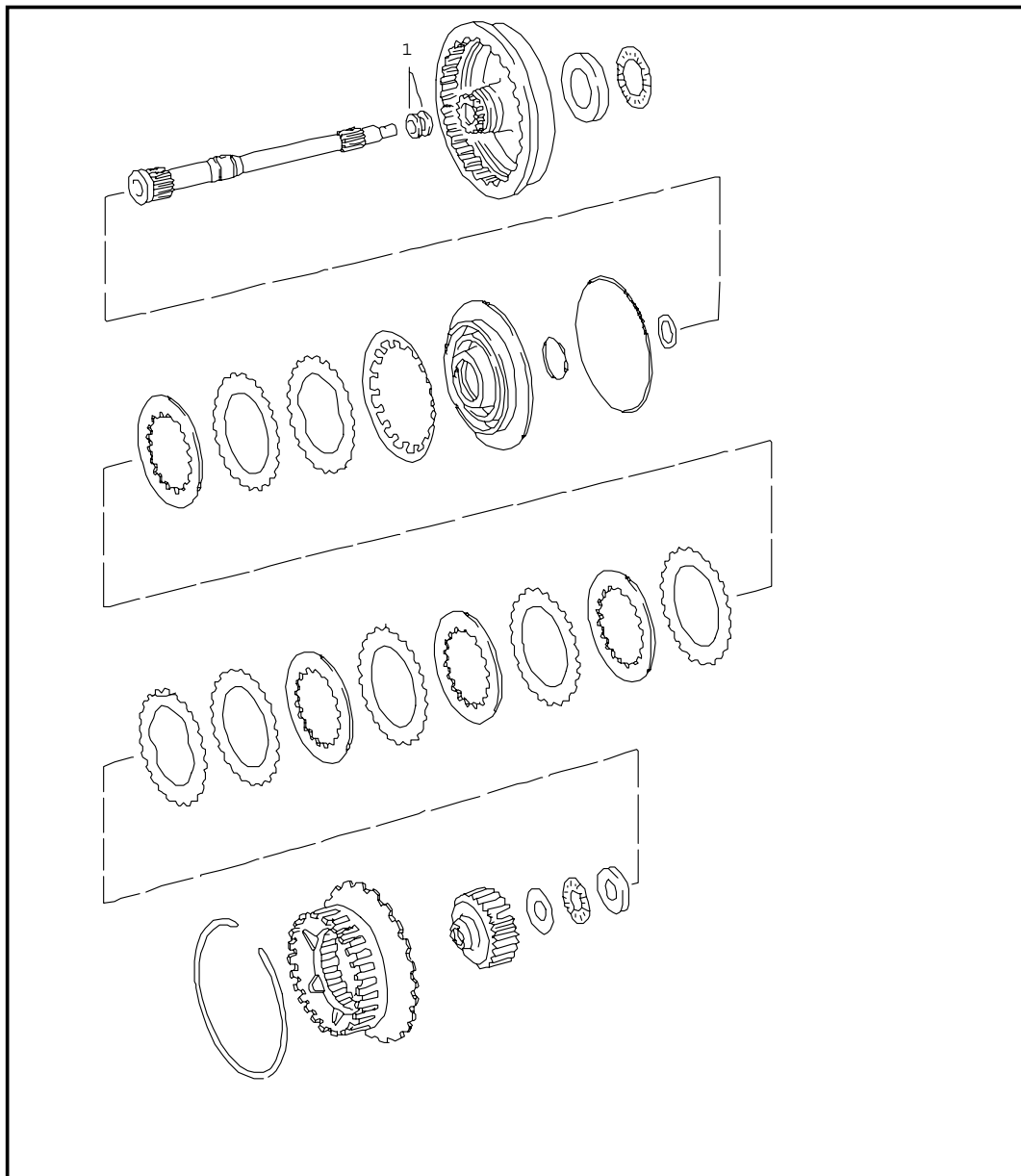
Pos	Part Number	Name	Remarks	Qty	Model
		TIPTRONIC converter			A50.04/05
1	943 316 001 00	converter		1	
2	999 073 023 08	torx screw M 10 X 35		4	
3	900 025 008 09	washer A 10,5		4	
4	943 116 101 01	converter housing		1	
5	999 073 024 08	torx screw M 10 X 1,25		9	
6	943 116 075 01	drive plate		1	
7	943 116 153 02	perforated plate		1	
8	911 606 217 03	pulse sender		1	
9	999 218 005 02	pan-head screw M 6 X 16		1	
10	900 067 081 09	pan-head screw M 8 X 35		7	
11	900 031 001 02	washer 8,4		8	
12	900 067 280 08	pan-head screw M 6 X 16		8	
13	964 606 217 00	shim 0,1 MM		X	
13	964 606 217 02	shim 0,4 MM		X	
14	N 014 740 2	pan-head screw M 6 X 16		1	
15	999 062 009 02	stud EM 8 X 28		1	
16	900 076 025 02	hexagon nut M 8		1	
- - - E N D - - -					

Model	Year	MG	SG	Illustration	Restrictions	Update	17:37	23.08.2006	PORSCHE	PET	PORSCHE
993	98	3	30	330-01		203					



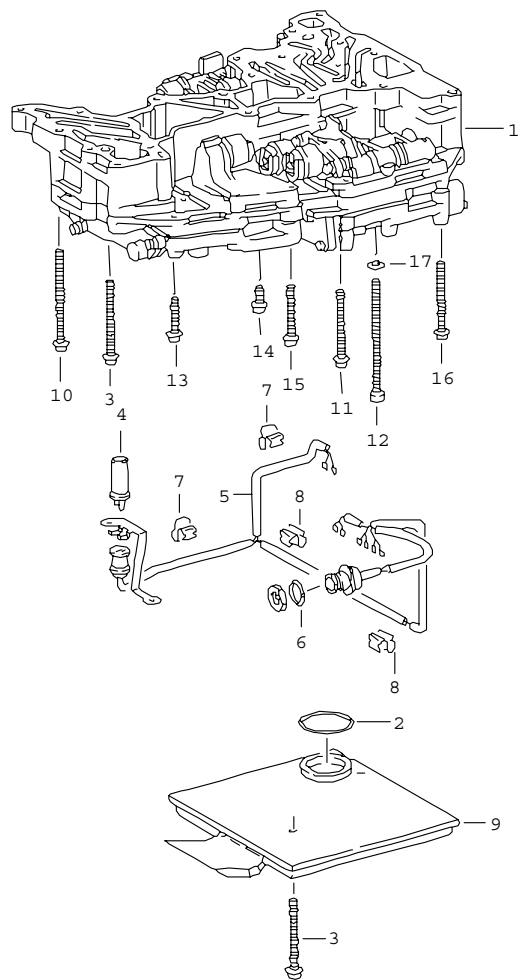
Pos	Part Number	Name	Remarks	Qty	Model
		TIPTRONIC oil pump			A50.04/05
1	943 307 001 00	oil pump		1	
2	943 397 010 01	shaft seal 40 X 52 X 7		1	
3	943 397 011 00	round seal		1	
4	943 397 013 00	pan-head screw M 6 X 30		7	
5	943 397 030 00	sleeve		1	
6	943 397 006 00	pan-head screw M 6 X 80		1	
		- - - E N D - - -			

Model	Year	MG	SG	Illustration	Restrictions	Update	17:37	23.08.2006	PORSCHE	PET	PORSCHE
993	98	3	40	340-00		203					



Pos	Part Number	Name	Remarks	Qty	Model
		TIPTRONIC drive shaft			A50.04/05
1	943 397 033 00	sealing ring		2	
		- - - E N D - - -			

Model	Year	MG	SG	Illustration	Restrictions	Update	17:38	23.08.2006	PORSCHE	PET	PORSCHE
993	98	3	40	340-01		203					

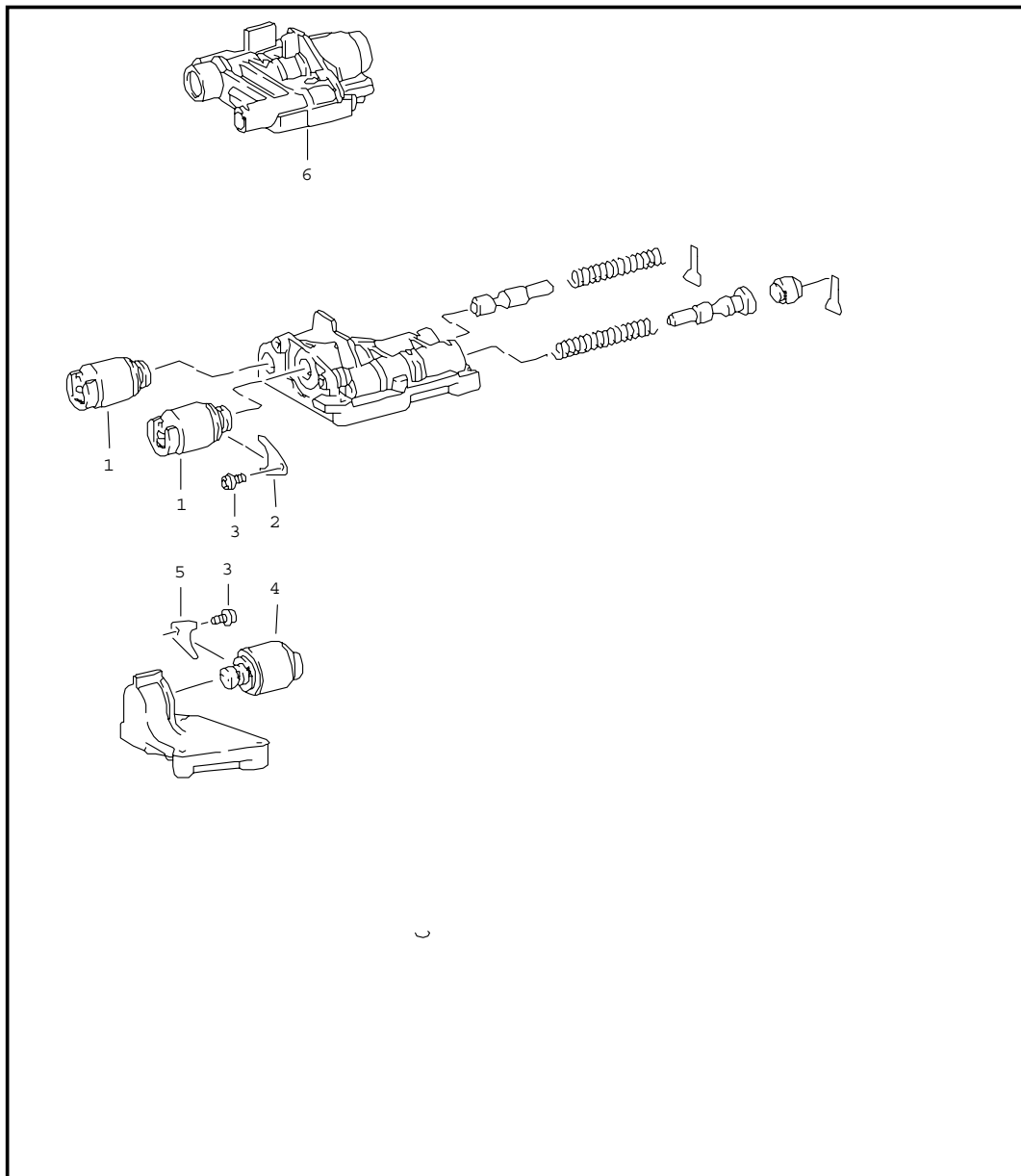


Pos	Part Number	Name	Remarks	Qty	Model
		TIPTRONIC oil strainer inductive transmitter mounting parts for switch unit see technical information group 3 NR. 1/95			A50.04/05
1	943 325 001 03	switch unit	-96	1	
1	943 325 001 03	switch unit	97-	1	
2	943 307 041 00	round seal		1	
3	943 397 003 00	pan-head screw M 6 X 65		5	
4	943 325 604 00	inductive transmitter		1	
5	943 325 605 01	wiring harness		1	
6	943 397 007 00	round seal 26,7X1,78		1	
7	943 325 606 00	cable terminal		2	
8	943 325 607 00	cable terminal		2	
9	943 307 011 02	oil strainer		1	
10	943 397 006 00	pan-head screw M 6 X 80		7	
11	943 397 005 00	pan-head screw M 6 X 60		3	
12	943 397 004 00	pan-head screw M 6 X 105		1	
13	943 397 044 00	pan-head screw M 5 X 30		1	
14	943 397 045 00	pan-head screw M 5 X 12		3	
15	943 397 043 00	pan-head screw M 5 X 45		6	
16	943 397 042 00	pan-head screw M 5 X 60		12	
17	N 012 226 5	spring washer B 6		1	

Model	Year	MG	SG	Illustration	Restrictions	Update					
993	98	3	40	340-01		203	17:38	23.08.2006	PORSCHE	PET	PORSCHE

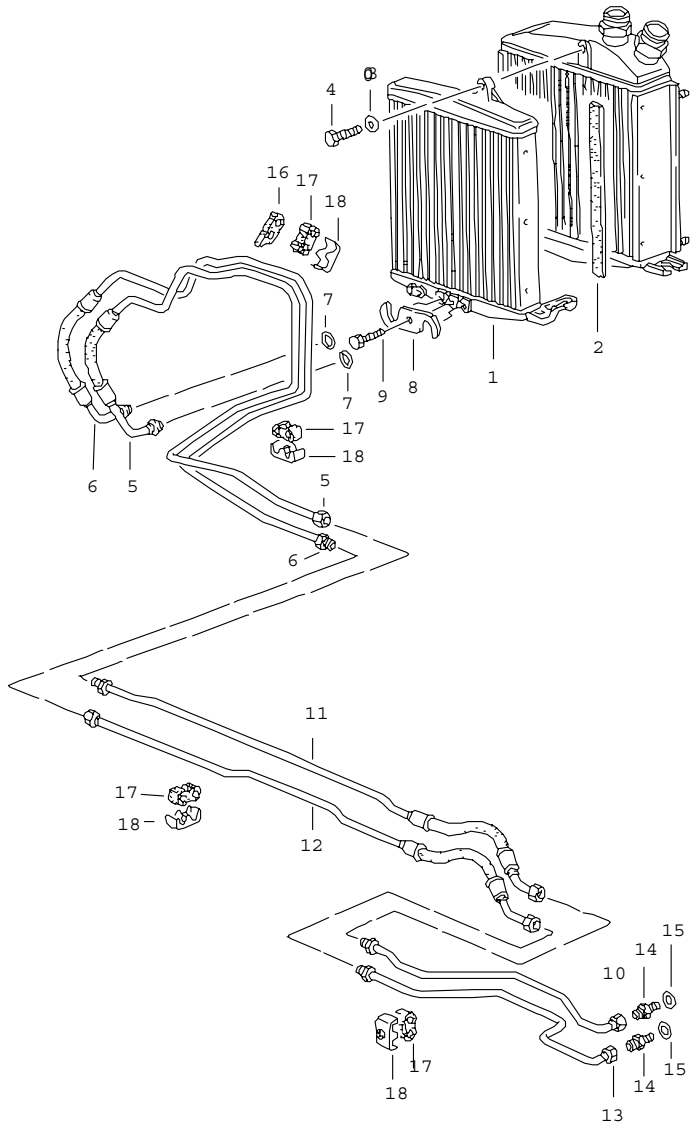
Pos	Part Number	Name	Remarks	Qty	Model	Pos	Part Number	Name	Remarks	Qty	Model
		- - - E N D - - -									

Model	Year	MG	SG	Illustration	Restrictions	Update	17:38	23.08.2006	PORSCHE	PET	PORSCHE
993	98	3	40	340-02		203					



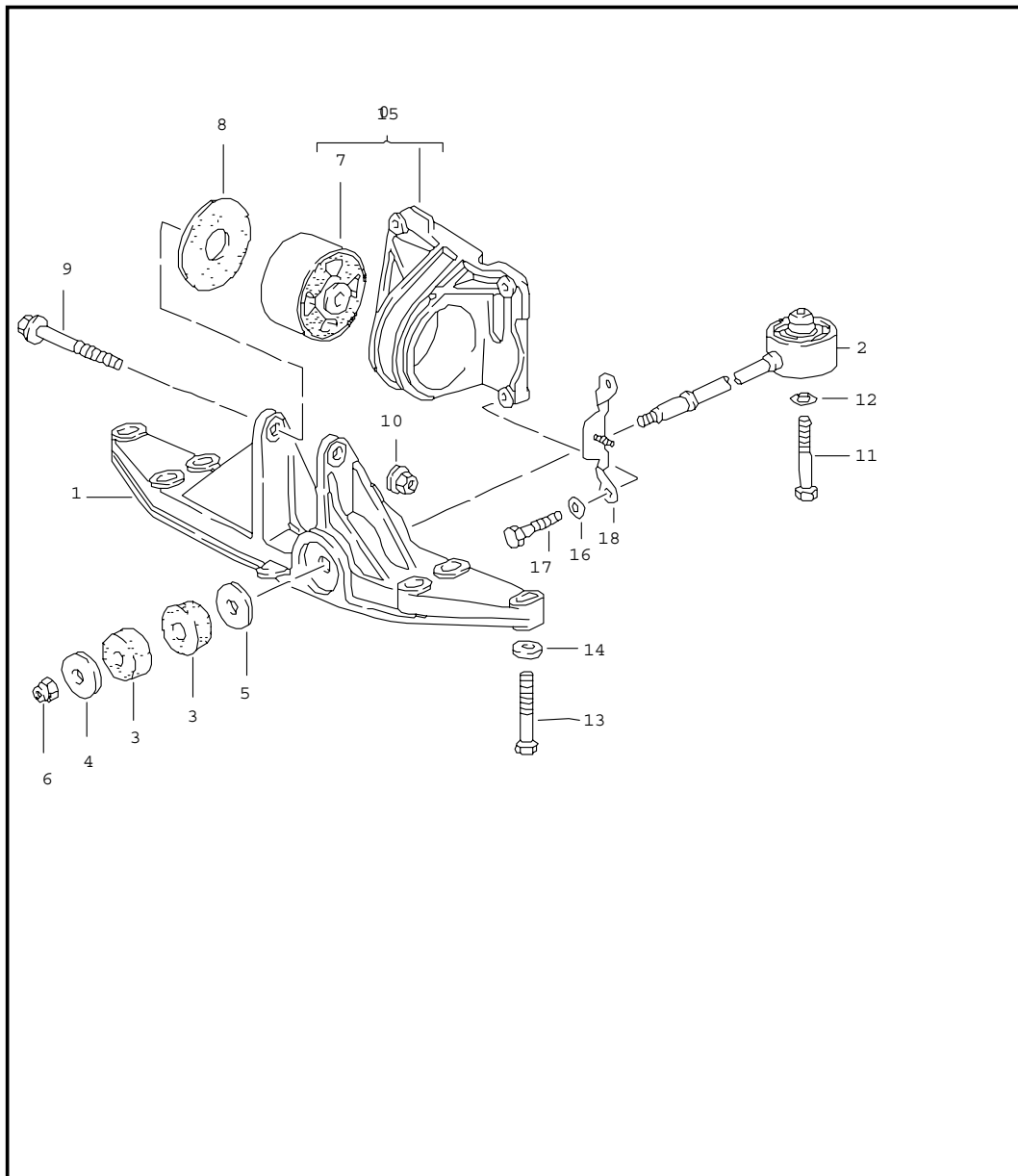
Pos	Part Number	Name	Remarks	Qty	Model
		TIPTRONIC solenoid valve			A50.04/05
1	943 325 601 00	solenoid valve		2	
2	943 325 111 00	retaining bracket		2	
3	943 397 009 00	pan-head screw M 5 X 10		3	
4	943 325 602 02	solenoid valve		1	
5	943 325 112 00	retaining bracket		1	
6	943 325 603 01	pressure regulator		1	
		- - - E N D - - -			

Model	Year	MG	SG	Illustration	Restrictions	Update	17:38	23.08.2006	PORSCHE	PET	PORSCHE
993	98	3	60	360-00		203					



Pos	Part Number	Name	Remarks	Qty	Model
		TIPTRONIC atf cooler atf lines			A50.04/05
1	943 307 027 10	transmission oil cooler		1	
-	000 043 204 88	sealing strap roller with 10 meters 9 X 3		*	
2	-	260 MM		1	
3	900 151 003 02	washer A 6,4		1	
4	900 075 016 02	hexagon-head bolt M 6 X 22		1	
5	993 307 073 00	oil pipe		1	
6	993 307 074 00	oil pipe		1	
7	900 331 031 40	o-ring 11,8 X 1,8		2	
8	993 307 143 00	latch		1	
9	900 378 030 09	hexagon-head bolt M 6 X 20		1	
10	993 307 081 00	oil pipe		1	
11	993 307 072 00	oil pipe		1	
12	993 307 075 00	oil pipe		1	
13	993 307 086 00	oil pipe		1	
14	999 105 133 02	connection piece M 14 X 1,5		2	
15	900 123 007 30	sealing ring A14 X 18		2	
16	993 307 145 00	gasket		1	
17	928 347 527 00	rubber mounting		6	
18	928 347 555 00	clamp		6	
		- - - E N D - - -			

Model	Year	MG	SG	Illustration	Restrictions	Update	17:38	23.08.2006	PORSCHE	PET	PORSCHE
993	98	3	70	370-00		203					

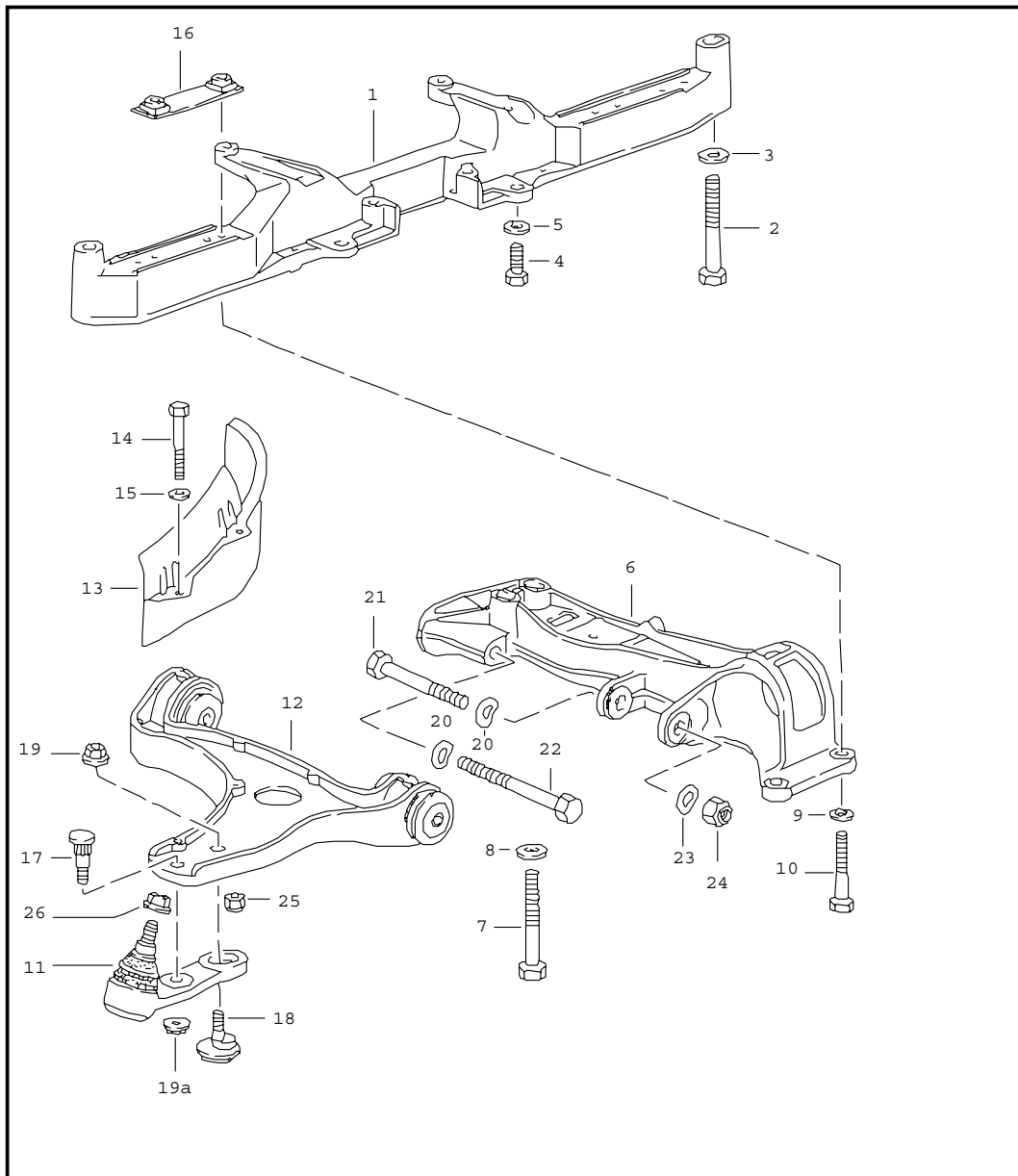


Pos	Part Number	Name	Remarks	Qty	Model
		TIPTRONIC transmission suspension			A50.04/05
1	993 375 309 00	transmission carrier		1	
2	964 375 070 04	bracket		1	
3	964 375 211 01	rubber buffer		2	
4	999 025 181 02	washer 10,1 X 44 X 5		1	
5	999 025 182 02	washer 13,2 X 44 X 5		1	
6	900 910 031 09	lock nut VM 10		1	
7	964 375 055 02	transmission mounting		1	
8	964 375 255 00	washer		2	
9	900 378 023 09	hexagon-head bolt M 12 X 1,5 X 100		1	
10	999 084 445 09	lock nut M 12 X 1,5		1	
11	900 082 034 09	hexagon-head bolt M 12 X 1,5 X 65		1	
12	900 025 009 02	washer A 13		1	
13	999 075 059 09	hexagon-head bolt M 10 X 70		6	
14	999 025 196 02	washer 10,3 X 28 X 5		6	
15	993 375 041 00	bracket		1	
16	900 025 007 02	washer A 8,4		2	
17	900 075 032 09	hexagon-head bolt M 8 X 35		2	
18	993 375 415 00	support		1	
		- - - E N D - - -			

Model	Year	MG	SG	Illustration	Restrictions	Update	17:39	23.08.2006
993	98	3	98	398-00		203		

Pos	Part Number	Name	Remarks	Qty	Model
>>	> 964 300 912 00	set of seals set of seals transmission comprising:		1	
-	999 113 326 41	shaft seal		1	
-	950 301 151 01	cap		1	
-	928 332 776 00	flange gasket		1	
-	900 123 011 30	sealing ring A 22 X 27		2	
-	999 113 347 40	shaft seal		2	
-	999 701 745 40	o-ring		1	
-	950 301 191 01	gasket		1	
-	950 301 351 02	gasket		1	
-	999 113 404 40	shaft seal		1	
-	999 701 734 40	sealing ring 29,5 X 1,5 N		1	
-	999 701 387 40	o-ring 210 X 3,5		1	
-	900 123 043 30	sealing ring A 12 X 15,5		1	
-	993 116 911 00	repair kit	M 002	1	M64.05/07 M64.21/23 M64.20
		complete for clutch			
		see group 3/01/00			
		- - - E N D - - -			

Model	Year	MG	SG	Illustration	Restrictions	Update	17:39	23.08.2006	PORSCHE	PET	PORSCHE
993	98	4	01	401-00		203					

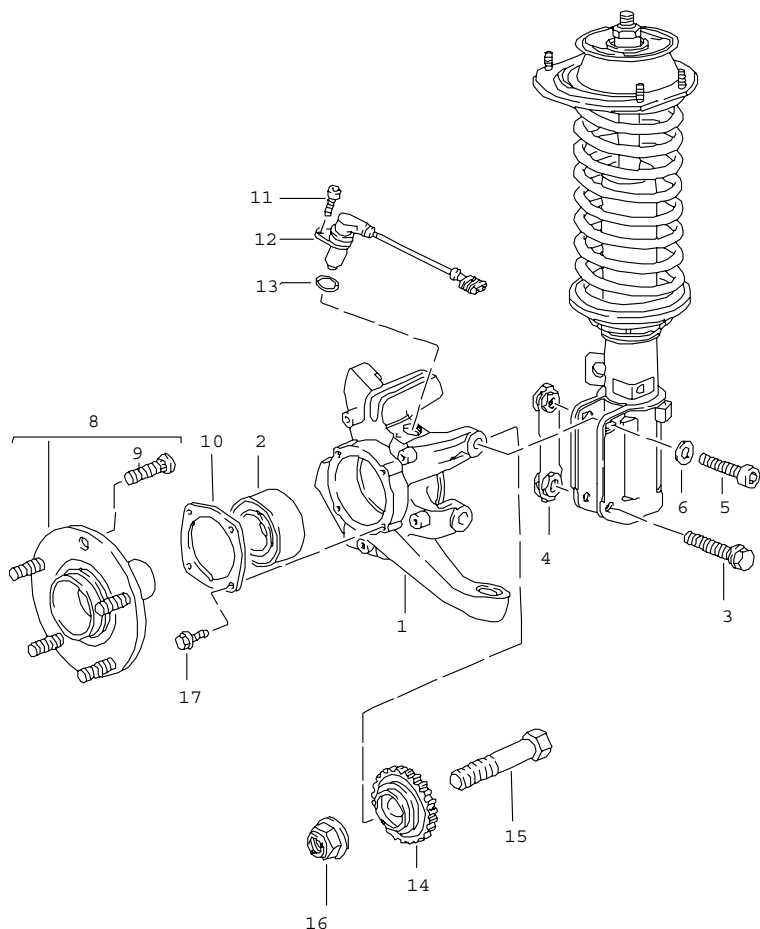


Pos	Part Number	Name	Remarks	Qty	Model
		cross member			
		control arm			
1	964 341 101 05	cross member	-94	1	
1	993 341 101 05	cross member	95-	1	
2	900 082 128 09	hexagon-head bolt 12 X 1,5 X 100	-96	2	
3	901 333 143 01	washer	-96	2	
2	999 074 055 09	hexagon-head bolt M 12 X 1,5 X 100	97-	2	
4	900 075 041 09	hexagon-head bolt M 10 X 25	-96	2	
5	999 025 076 09	washer 10,2 X 21 X 3	-96	2	
4	999 072 026 09	hexagon-head bolt M 10 X 30	97-	2	
6	993 341 111 01	side member	/L	1	
(6)	993 341 112 01	side member	/R	1	
(6)	993 341 111 21	side member	/L 95-	1	M 339
(6)	993 341 112 21	side member	/R 95-	1	M 339
(6)	993 341 111 21	side member	/L	1	CARRERA RS
(6)	993 341 112 21	side member	/R	1	CARRERA RS
7	900 082 020 09	hexagon-head bolt M 12 X 1,5 X 80	-96	4	
8	901 333 143 01	washer 12,5 X 28 X 4	-96	4	
7	999 074 054 09	hexagon-head bolt M 12 X 1,5 X 85	97-	4	
9	900 025 008 09	washer A 10,5		4	
10	999 072 025 09	hexagon-head bolt M 10 X 65		4	
11	993 341 049 02	ball joint		2	
12	993 341 017 00	control arm	/L	1	
(12)	993 341 018 01	control arm	/R	1	
(12)	993 341 017 80	control arm	/L	1	CARRERA RS

Model	Year	MG	SG	Illustration	Restrictions	Update	17:39	23.08.2006	PORSCHE	PET	PORSCHE
993	98	4	01	401-00		203					

Pos	Part Number	Name	Remarks	Qty	Model	Pos	Part Number	Name	Remarks	Qty	Model
(12)	993 341 018 80	control arm	/R	1	CARRERA RS						
13	993 341 083 00	air duct	/L	1							
13	993 341 084 00	air duct	/R	1							
14	900 074 020 09	hexagon-head bolt M 6 X 55		4							
15	900 151 006 09	washer A 6,4		8							
16	964 341 015 00	plate		2							
17	993 341 465 00	knurled screw		2							
18 A	964 341 455 02	caster eccentric		2							
(18)	993 341 455 00	caster eccentric		2							
19	999 084 624 09	lock nut M 10		2							
19A	999 084 621 09	lock nut M 12		2							
20	999 025 212 09	washer		4							
21 A	900 082 039 09	hexagon-head bolt M 12 X 1,5 X 100		2							
21	900 082 137 09	hexagon-head bolt M 12 X 1,5 X 100		2							
22	900 082 118 09	hexagon-head bolt M 12 X 1,5 X 125		2							
23	900 028 014 02	spring washer		X							
24	999 084 445 09	lock nut VM 12 X 1,5		4							
25	900 910 010 09	lock nut M 6		4							
26	999 084 449 09	lock nut M 12 X 1,5		2							
		- - - E N D - - -									

Model	Year	MG	SG	Illustration	Restrictions	Update	17:39	23.08.2006	PORSCHE	PET	PORSCHE
993	98	4	01	401-05		203					

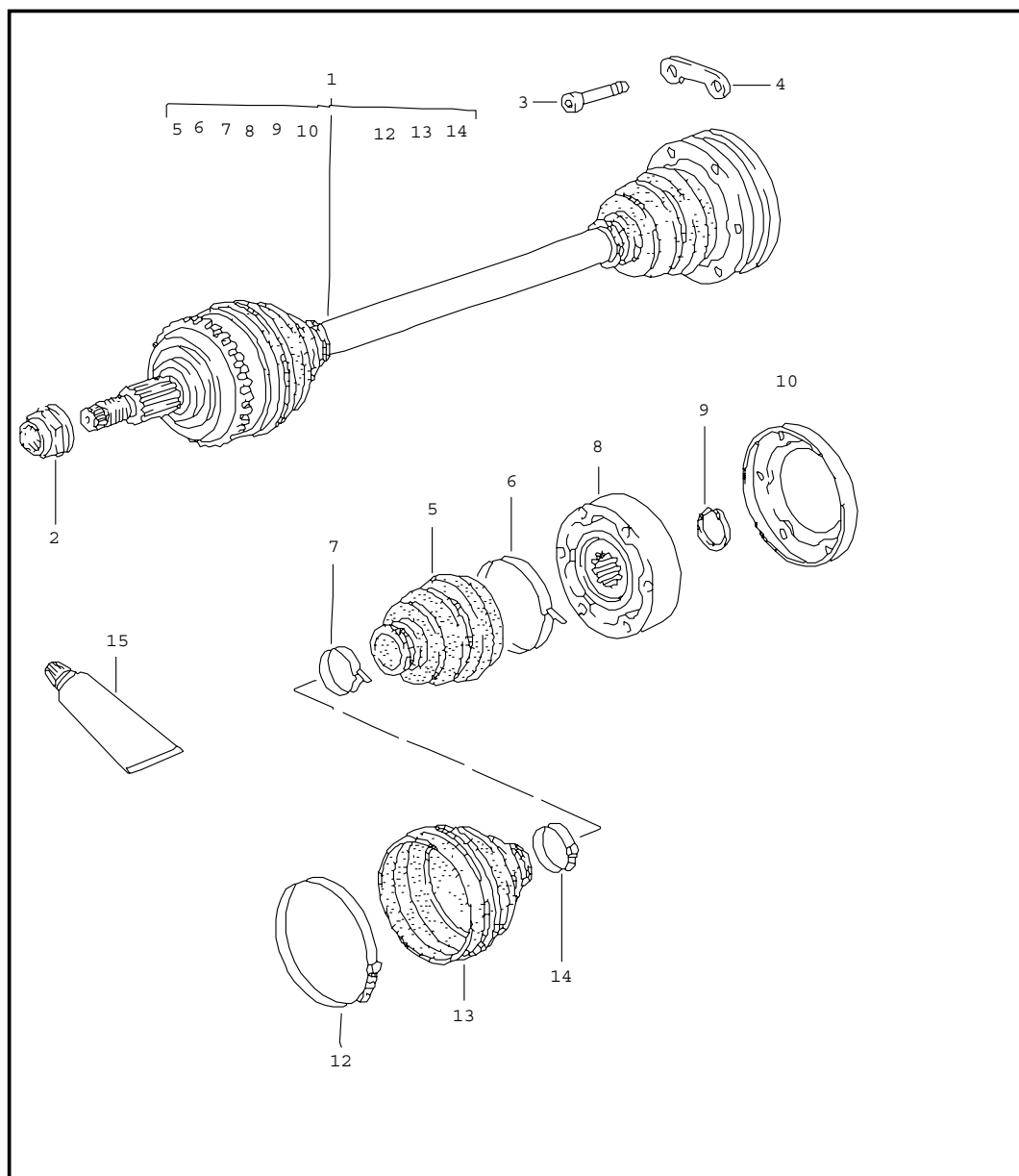


Pos	Part Number	Name	Remarks	Qty	Model
		wheel carrier wheel hub			
1	993 341 157 02	wheel carrier	/L 94	1	
(1)	993 341 157 03	wheel carrier	/L 95-	1	
(1)	993 341 158 02	wheel carrier	/R 94	1	
(1)	993 341 158 03	wheel carrier	/R 95-	1	
(1)	993 341 157 81	wheel carrier	/L	1	CARRERA RS
(1)	993 341 158 81	wheel carrier	/R	1	CARRERA RS
2	999 053 041 03	angular-contact bearing		2	
3	999 072 006 09	hexagon-head bolt M 14 X 1,5 X 55		2	
4	993 343 156 00	captive nut M 12 / 14		2	
5	999 067 039 09	pan-head screw M 12 X 1,5 X 50		2	
6	999 025 212 09	washer 12,5 X 24 X 3		4	
8	964 341 065 12	front wheel hub see technical information 2/94	94	2	
8	964 341 065 04	front wheel hub see technical information 2/94	94	2	
8	993 341 065 01	front wheel hub	95-	2	
9	904 341 671 00	wheel bolt	94	10	
9	928 341 671 02	wheel bolt	95-	10	
10	964 341 661 01	cover		2	
11	900 067 117 09	pan-head screw M 6 X 16		2	
12	993 606 404 00	speed sensor	-95	2	
12	993 606 405 00	speed sensor	96-	2	
13	U 900 174 032 40	round seal		2	
14	993 341 155 00	shake-proof washer see technical information 2/94	94	2	

Model	Year	MG	SG	Illustration	Restrictions	Update	17:39	23.08.2006	PORSCHE	PET	PORSCHE
993	98	4	01	401-05		203					

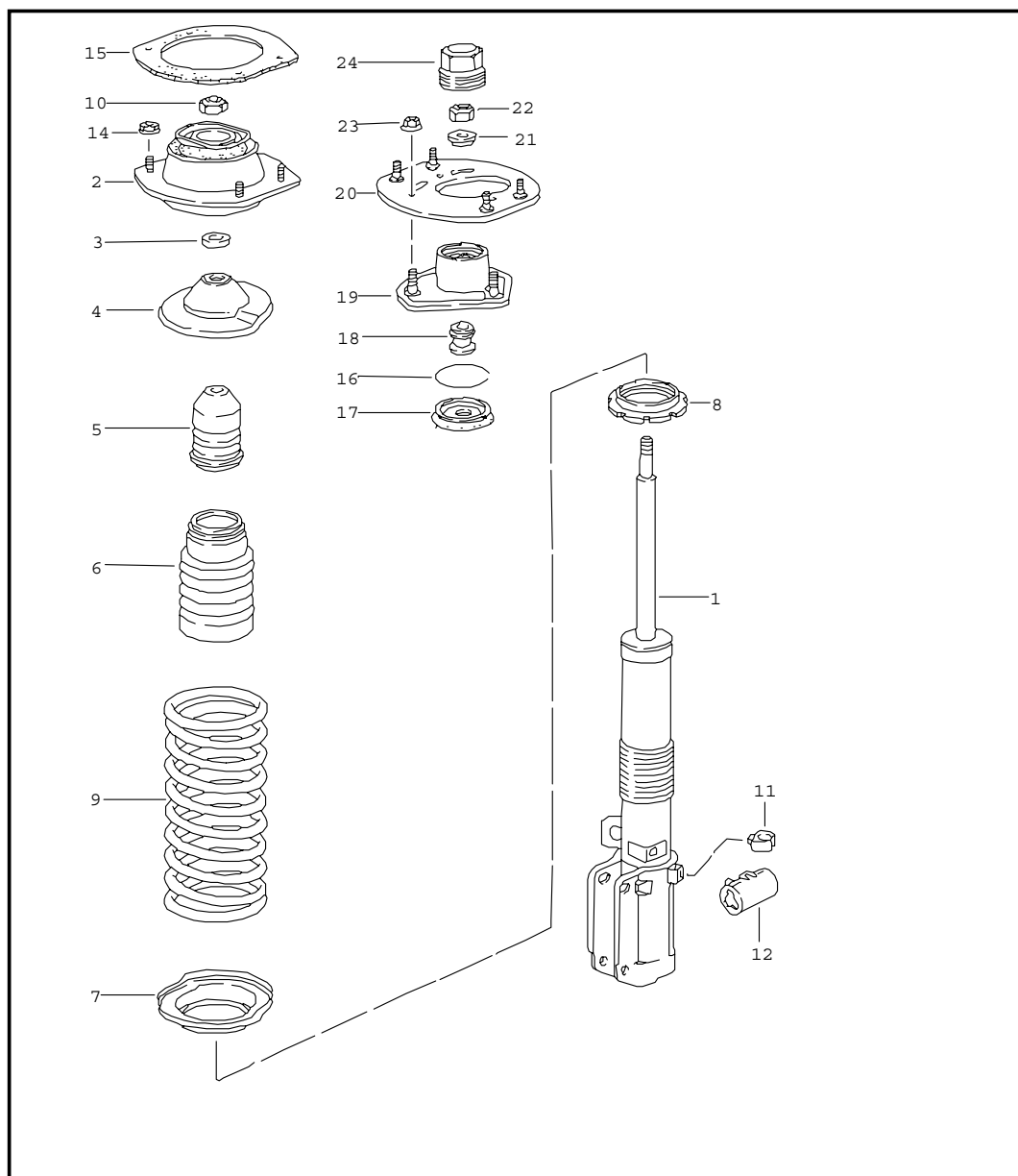
Pos	Part Number	Name	Remarks	Qty	Model	Pos	Part Number	Name	Remarks	Qty	Model
14	993 341 155 01	shake-proof washer see technical information 2/94	94	2							
14	993 341 155 01	shake-proof washer	95-	2							
15	900 082 123 09	hexagon-head bolt M 22 X 1,5 X 100		2							
16	999 084 634 09	lock nut M 22 X 1,5		2							
17	999 217 042 09	hexagon-head bolt M 8 X 35		4							
		- - - E N D - - -									

Model	Year	MG	SG	Illustration	Restrictions	Update	17:39	23.08.2006	PORSCHE	PET	PORSCHE
993	98	4	01	401-10		203					



Pos	Part Number	Name	Remarks	Qty	Model
		drive shaft			M 339
1	993 349 038 02	drive shaft see technical information GR.4 NR.3/95		2	
1	993 349 038 03	drive shaft see technical information GR.4 NR.3/95	96-	2	
2	999 090 008 02	lock nut M 22 X 1,5		2	
3	900 067 211 09	pan-head screw M 8 X 50		12	
4	993 349 191 00	plate		6	
5	928 332 293 02	dust bellows		2	
6	911 332 257 00	clip		2	
7	928 332 257 01	clip		2	
8	964 349 030 00	joint		2	
9	N 012 425 1	circlip		2	
10	964 349 267 01	cover see technical information GR.4 3/95		2	
10	993 349 267 00	cover see technical information GR.4 3/95	96-	2	
12	993 349 620 00	clip		2	
13	964 349 291 00	dust bellows		2	
14	928 332 257 01	clip		2	
15	000 043 110 00	grease 1 tube 100 g		X	
(15)	000 043 203 47	adhesive 1 tube 100 g		X	
		- - - E N D - - -			

Model	Year	MG	SG	Illustration	Restrictions	Update	17:39	23.08.2006	PORSCHE	PET	PORSCHE
993	98	4	02	402-00		203					

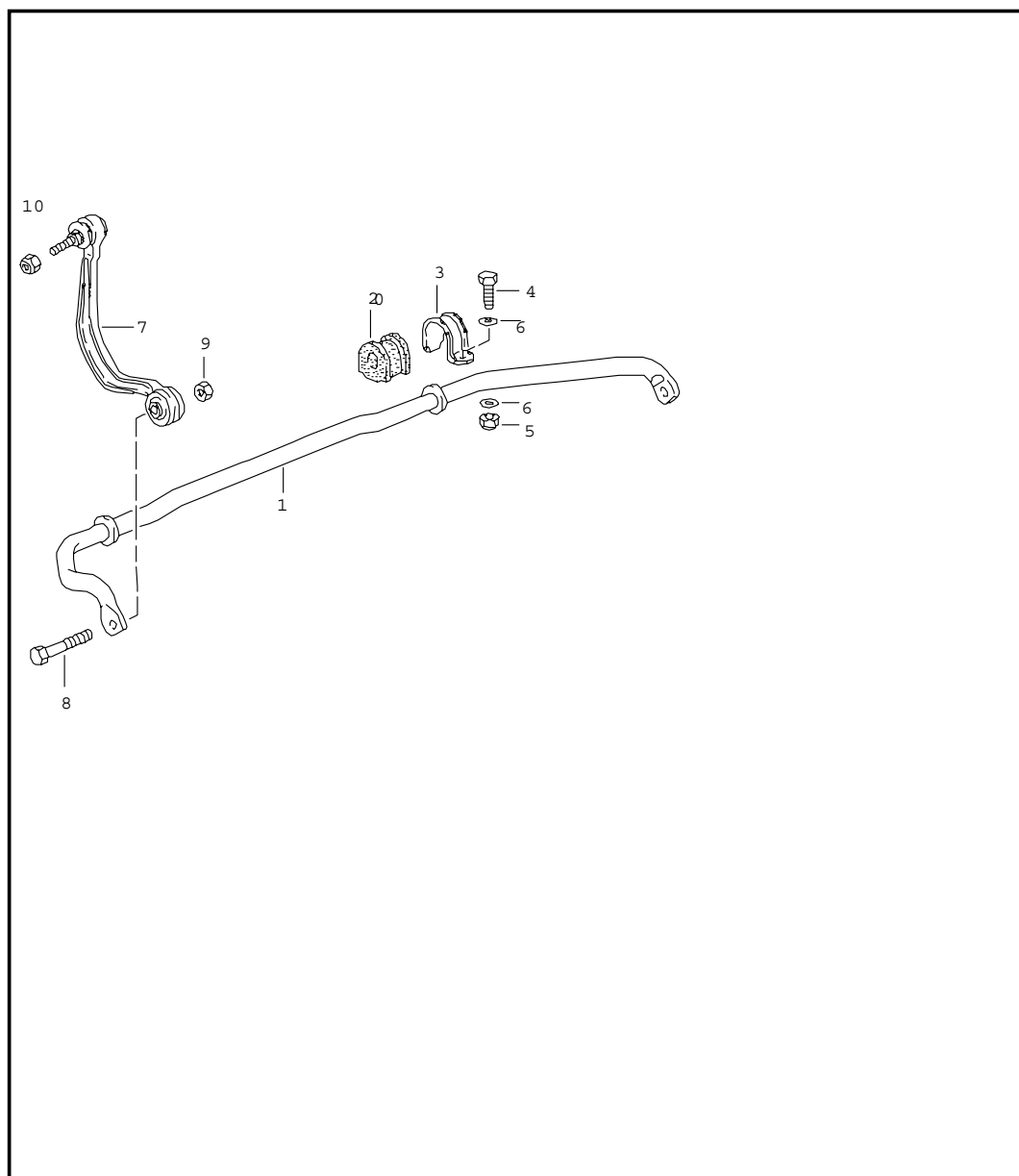


Pos	Part Number	Name	Remarks	Qty	Model
		springs			
		shock absorber strut			
1	993 343 041 03	shock absorber strut - boge -	/L	1	
1	993 343 041 37	shock absorber strut - MONROE -	/L	1	
1	993 343 041 04	shock absorber strut - boge -	/L /L	1 1	M 030 TURBO
1	993 343 041 35	shock absorber strut - MONROE -	/L /L /L	1 1 1	M 030 TURBO M 491/M 030
1	993 343 041 07	shock absorber strut - boge -	/L	1	M 033
1	993 343 041 38	shock absorber strut - MONROE -	/L /L	1 1	M 033 M 491
1	993 343 041 80	shock absorber strut - bilstein -	/L	1	CARRERA RS
(1)	993 343 042 03	shock absorber strut - boge -	/R	1	
1	993 343 042 37	shock absorber strut - MONROE -	/R	1	
(1)	993 343 042 04	shock absorber strut - boge -	/R /R	1 1	M 030 TURBO
1	993 343 042 35	shock absorber strut - MONROE -	/R /R /R	1 1 1	M 030 TURBO M 491/M 030
(1)	993 343 042 07	shock absorber strut - boge -	/R	1	M 033
1	993 343 042 38	shock absorber strut - MONROE -	/R /R	1 1	M 033 M 491
(1)	993 343 042 80	shock absorber strut - bilstein -	/R	1	CARRERA RS
2	993 343 018 00	supporting mount		2	
3	964 343 514 00	spacer sleeve		2	
4	964 343 507 00	concave washer		2	

Model	Year	MG	SG	Illustration	Restrictions	Update	17:39	23.08.2006	PORSCHE	PET	PORSCHE
993	98	4	02	402-00		203					

Pos	Part Number	Name	Remarks	Qty	Model	Pos	Part Number	Name	Remarks	Qty	Model
5	964 343 301 00	rubber stop		2		15	993 341 511 01	gasket		2	
(5)	993 343 301 00	rubber stop		2	M 030	15	993 341 511 80	gasket		2	CARRERA RS
(5)	993 343 301 80	rubber stop		2	CARRERA RS	16	964 343 188 80	retainer spring		2	CARRERA RS
6	993 343 505 00	bellows		2		17	964 343 186 80	sealing cap		2	CARRERA RS
7	964 343 503 00	concave washer		2		18	964 343 182 82	spacer sleeve		2	CARRERA RS
8	964 343 502 00	adjusting nut		2		19	993 343 017 80	supporting mount lower	/L	1	CARRERA RS
(8)	993 343 524 80	lock nut lower		2	CARRERA RS	19	993 343 018 80	supporting mount lower	/R	1	CARRERA RS
9	993 343 531 00	coil spring 1 set		1	COUPE	20	993 343 081 80	supporting mount upper	/L	1	CARRERA RS
	504	marked red	96-	1	CABRIO	20	993 343 082 80	supporting mount upper	/R	1	CARRERA RS
				1	TARGA	20	993 343 082 80	supporting mount upper	/R	1	CARRERA RS
(9)	965 343 531 01	coil spring 1 set		1	COUPE M 030	21	964 343 182 81	spacer sleeve		2	CARRERA RS
	504	marked orange green		1	TURBO	22	900 910 055 02	lock nut VF M 14 X 1,5		2	CARRERA RS
(9)	993 343 531 04	coil spring 1 set		1	M 033	23	900 380 008 09	lock nut M 10		6	CARRERA RS
	504	marked blue				24	964 333 469 80	screw plug		2	CARRERA RS
(9)	964 343 531 80	coil spring 1 set		1	CARRERA RS	-	964 343 042 00	transverse strut		1	CARRERA RS
	504	marked yellow						- - - E N D - - -			
10	A 900 910 125 09	hexagon nut M 14 X 1,5		2							
10	999 084 441 09	lock nut VM 14 X 1,5		2							
11	928 612 409 00	clip		2							
12	928 612 531 00	push-on connector	/L	1							
12	928 612 531 01	push-on connector	/R	1							
14	900 380 005 09	hexagon nut M 8		8							
15	A 993 341 511 00	gasket		2							

Model	Year	MG	SG	Illustration	Restrictions	Update	17:40	23.08.2006	PORSCHE	PET	PORSCHE
993	98	4	02	402-05		203					

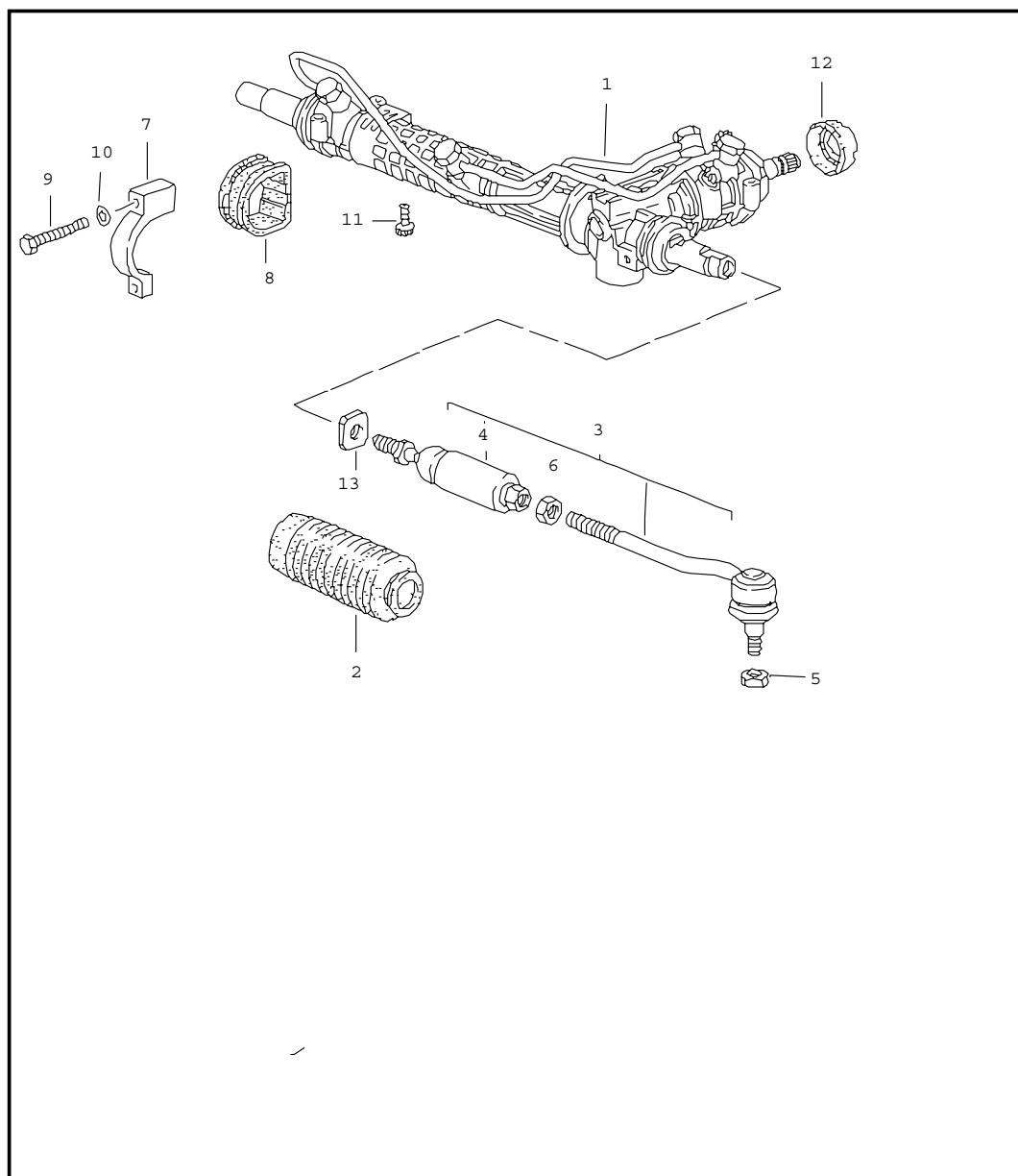


Pos	Part Number	Name	Remarks	Qty	Model
		stabiliser			
1	993 343 707 00	stabiliser 21 MM		1	
1	993 343 707 01	stabiliser 22 MM		1	M 030 TURBO
1	993 343 707 04	stabiliser 20 MM		1	M 491
2	964 343 792 21	stabiliser mounting 21 MM		2	
2	964 343 792 22	stabiliser mounting 22 MM		2	M 030
2	964 343 792 22	stabiliser mounting 22 MM		2	TURBO
2	964 343 792 20	stabiliser mounting 20 MM		2	M 491
1	993 343 707 81	stabiliser 23 MM		2	CARRERA RS
2	964 343 792 06	stabiliser mounting 23 MM		2	CARRERA RS
3	964 343 777 80	clip		2	
4	900 075 029 09	hexagon-head bolt M 8 X 25		4	
5	900 910 022 09	lock nut M 8		4	
6	999 025 125 09	washer A 8,4		4	
(7)	993 343 071 00	stabiliser mounting	/L	1	
(7)	993 343 069 00	stabiliser mounting	/L /L /L	1 1 1	M 030 TURBO M 339
(7)	993 343 072 00	stabiliser mounting	/R	1	
7	993 343 070 00	stabiliser mounting	/R /R /R	1 1 1	M 030 TURBO M 339
7	993 343 069 80	stabiliser mounting	/L	1	CARRERA RS
7	993 343 070 80	stabiliser mounting	/R	1	CARRERA RS

Model	Year	MG	SG	Illustration	Restrictions	Update	17:40	23.08.2006	PORSCHE	PET	PORSCHE
993	98	4	02	402-05		203					

Pos	Part Number	Name	Remarks	Qty	Model	Pos	Part Number	Name	Remarks	Qty	Model
8	N 010 455 6	hexagon-head bolt M 10 X 55		2	M 030						
				2	TURBO						
				2	M 339						
9	900 910 031 09	lock nut M 10		2							
10	900 910 031 09	lock nut M 10		2							
10	999 084 624 09	lock nut M 10		2	CARRERA RS						
-	900 089 002 09	washer 10		2							
		- - - E N D - - -									

Model	Year	MG	SG	Illustration	Restrictions	Update	17:40	23.08.2006	PORSCHE	PET	PORSCHE
993	98	4	03	403-00		203					

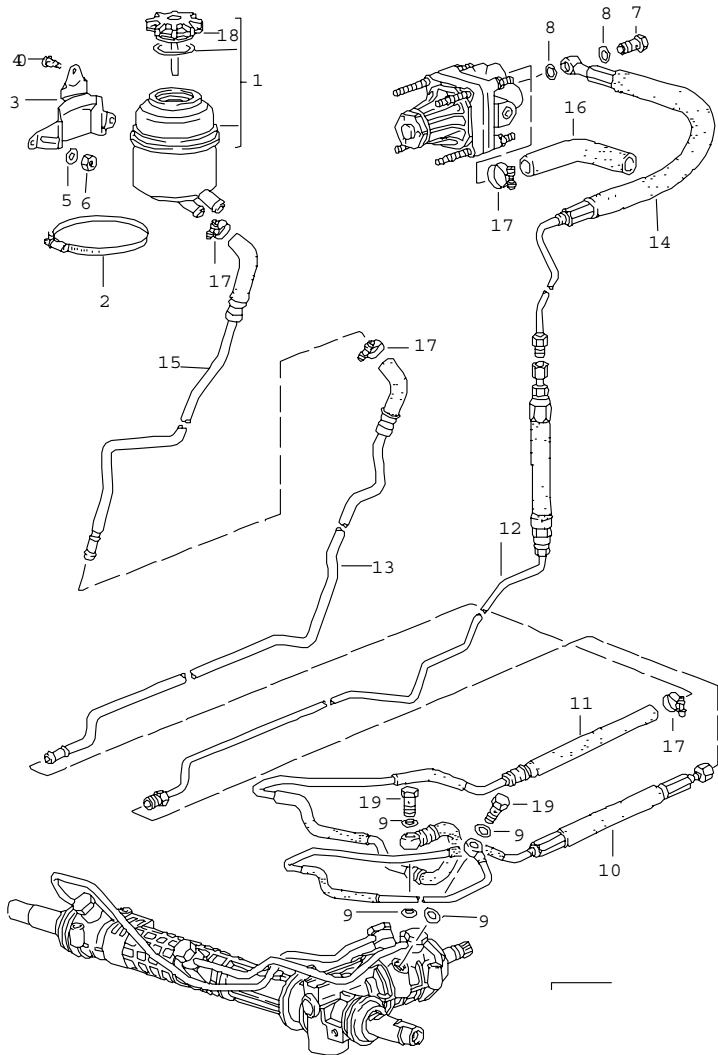


Pos	Part Number	Name	Remarks	Qty	Model
1	> 993 347 011 00	steering gear steering parts	/LL	1	
1	A 993 347 012 00	steering gear power steering use also: POS.7,8,9,10	/RL -95	1	
1	A 993 347 012 01	steering gear power steering use also: POS.7,8,9,10	/RL 96-	1	
1	A 993 347 012 03	power steering power steering use also: POS.7,8,9,10 use also: pressure line 4/03/01 POS.10	/RL 96-	1	
1	993 347 012 04	steering gear power steering use also: POS.7,8,9,10 use also: pressure line 4/03/01 POS.10	/RL	1	
1	> 964 347 009 04	steering gear power steering use also: POS.7,8,9,10	/LL	1	CARRERA RS
(1)	> 964 347 012 05	steering gear power steering use also: POS.7,8,9,10	/RL	1	CARRERA RS
-	993 347 131 02	transverse strut	/LL /LL /LL 96-	1 1 1	TURBO CARRERA RS
-	993 347 130 02	transverse strut	/RL /RL /RL 96-	1 1 1	TURBO CARRERA RS
2	171 419 831 C	bellows		2	

Model	Year	MG	SG	Illustration	Restrictions	Update	17:40	23.08.2006	PORSCHE	PET	PORSCHE
993	98	4	03	403-00		203					

Pos	Part Number	Name	Remarks	Qty	Model	Pos	Part Number	Name	Remarks	Qty	Model
3	993 347 031 03	tie rod		2							
(3)	993 347 031 81	tie rod		2	CARRERA RS						
4	993 347 131 01	ball joint		2							
(5)	999 084 449 09	lock nut M 12 X 1,5		2							
6	900 034 024 07	hexagon nut M 14 X 1,5		2							
7	964 347 223 08	clamp		2							
8	964 347 137 07	rubber insert		2							
9	999 218 102 09	pan-head screw M 8 X 60	-95	4							
9	999 218 102 09	pan-head screw M 8 X 60		2	TURBO CARRERA RS						
9	999 218 103 09	pan-head screw M 8 X 80		2	TURBO CARRERA RS						
9	999 218 102 09	pan-head screw M 8 X 60	96-	2							
9	999 218 103 09	pan-head screw M 8 X 80	96-	2							
10	900 031 001 02	washer		4							
11	477 419 115	plug		1							
12	964 347 333 02	rubber seal		1							
13	993 347 325 01	washer		2							
		- - - E N D - - -									

Model	Year	MG	SG	Illustration	Restrictions	Update	17:40	23.08.2006	PORSCHE	PET	PORSCHE
993	98	4	03	403-01		203					

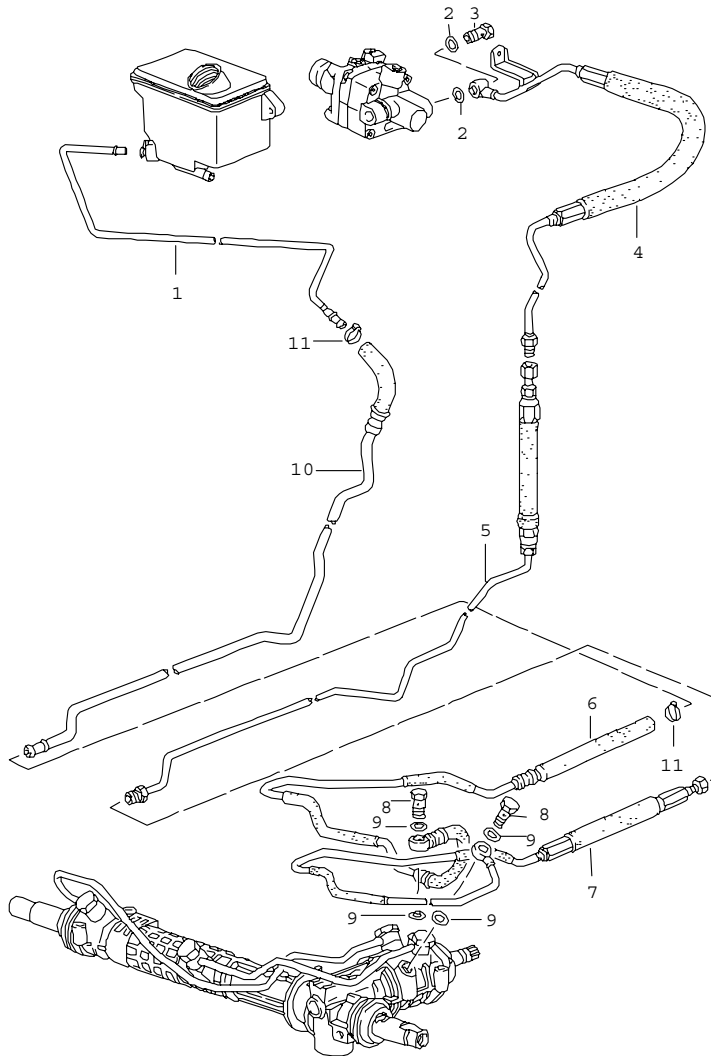


Pos	Part Number	Name	Remarks	Qty	Model
		power steering lines			
1	993 347 015 01	oil tank		1	
2	999 512 350 02	hose clamp		1	
3	993 314 210 26	support		1	
4	999 702 179 40	grommet		1	
6	999 045 004 40	lock nut M 6		2	
7	999 230 395 02	banjo bolt		3	
8	999 701 135 50	o-ring 15 X 2,5		2	
9	900 123 026 20	sealing ring D 12X16		4	
10	993 347 448 11	pressure line	/LL	1	
(10) A	993 347 448 25	pressure line F >>99SS3 10910 F >>99SS3 30297	/LL 95-	1	M 339
(10)	993 347 448 11	pressure line use also: 993.504.127.00 F >>99SS3 10910 F >>99SS3 30297	/LL 95-	1	M 339
(10)	993 347 448 11	pressure line F 99SS3 10911>> F 99SS3 30298>>	/LL 95-	1	M 339
10	993 347 458 00	pressure line	/RL	1	CARRERA RS
10	993 347 458 00	pressure line only together with steering gear 993.347.012.00/01	/RL	1	
10 A	993 347 458 02	pressure line only together with steering gear 993.347.012.02/03	/RL	1	
10	993 347 458 04	pressure line only together with steering gear 993.347.012.02/03/04	/RL	1	
11	993 347 449 01	return line	/LL	1	
(11)	993 347 455 01	return line	/RL	1	

Model	Year	MG	SG	Illustration	Restrictions	Update	17:40	23.08.2006	PORSCHE	PET	PORSCHE
993	98	4	03	403-01		203					

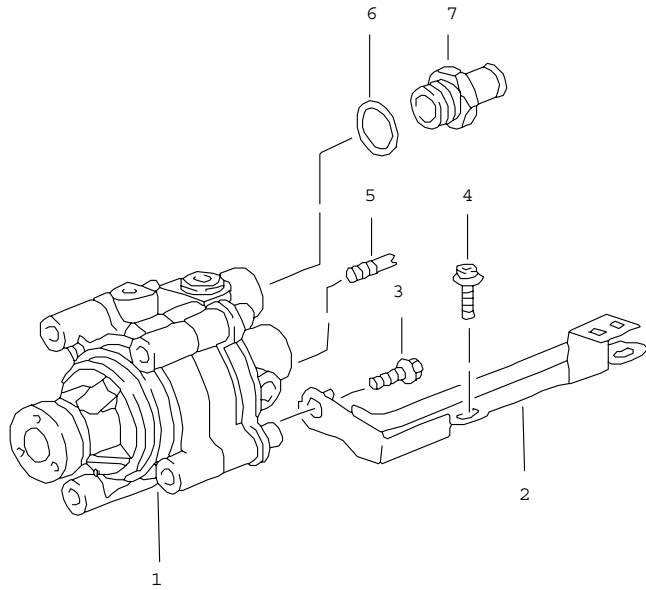
Pos	Part Number	Name	Remarks	Qty	Model	Pos	Part Number	Name	Remarks	Qty	Model
12	993 347 446 00	pressure line	/LL	1							
(12)	993 347 460 01	pressure line	/RL	1							
13	993 347 450 03	return line	/LL	1							
(13)	993 347 454 03	return line	/RL	1							
14	993 347 447 26	pressure line		1							
15	993 347 451 27	return line		1							
16	993 314 253 26	hose		1							
17	999 512 346 00	hose clamp		4							
18	928 347 925 00	cover		1							
19	900 175 020 02	banjo bolt M 12X24		2							
-	993 347 558 01	clamp triple		X							
-	993 347 557 00	rubber mounting triple		X							
-	993 347 473 00	support return line pressure line		1							
-	944 347 467 00	cable clip		2							
		- - - E N D - - -									

Model	Year	MG	SG	Illustration	Restrictions	Update	17:40	23.08.2006	PORSCHE	PET	PORSCHE
993	98	4	03	403-02		203					



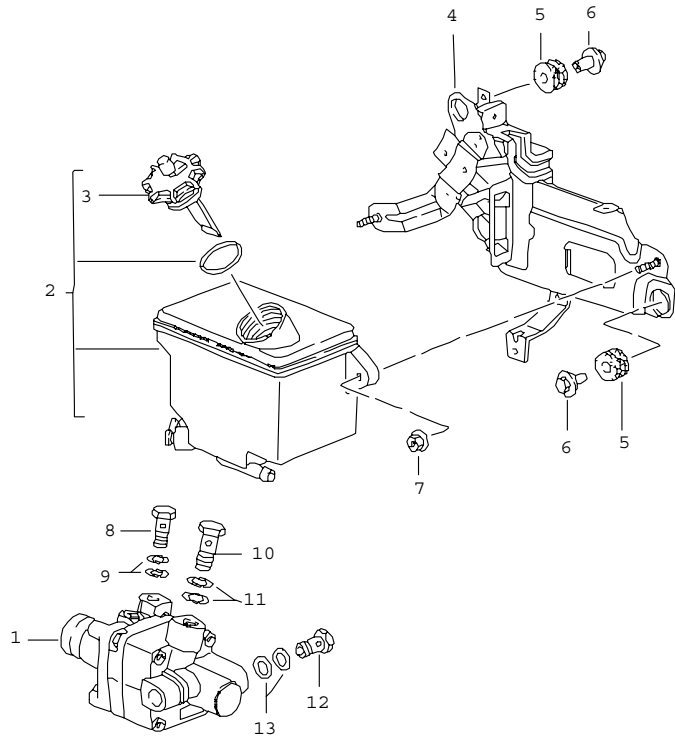
Pos	Part Number	Name	Remarks	Qty	Model
		power steering lines			TURBO
1	993 347 246 00	return line		1	
2	900 123 007 30	sealing ring A 14 X 18		2	
3	N 021 074 1	banjo bolt		1	
4	993 347 437 01	pressure line		1	
5	993 347 446 00	pressure line	/LL	1	
(5)	993 347 460 01	pressure line	/RL	1	
6	993 347 449 01	return line	/LL	1	
(6)	993 347 455 01	return line	/RL	1	
7	993 347 448 11	pressure line	/LL	1	
(7) A	993 347 458 00	pressure line	/RL	1	
(7)	993 347 458 04	pressure line	/RL	1	
8	900 175 020 02	banjo bolt M 12 X 24		2	
9	900 123 026 20	sealing ring D 12 X 16		4	
10	993 347 450 03	return line	/LL	1	
(10)	993 347 454 03	return line	/RL	1	
11	999 512 463 00	hose clamp		1	
- - - E N D - - -					

Model	Year	MG	SG	Illustration	Restrictions	Update	17:41	23.08.2006	PORSCHE	PET	PORSCHE
993	98	4	03	403-03		203					



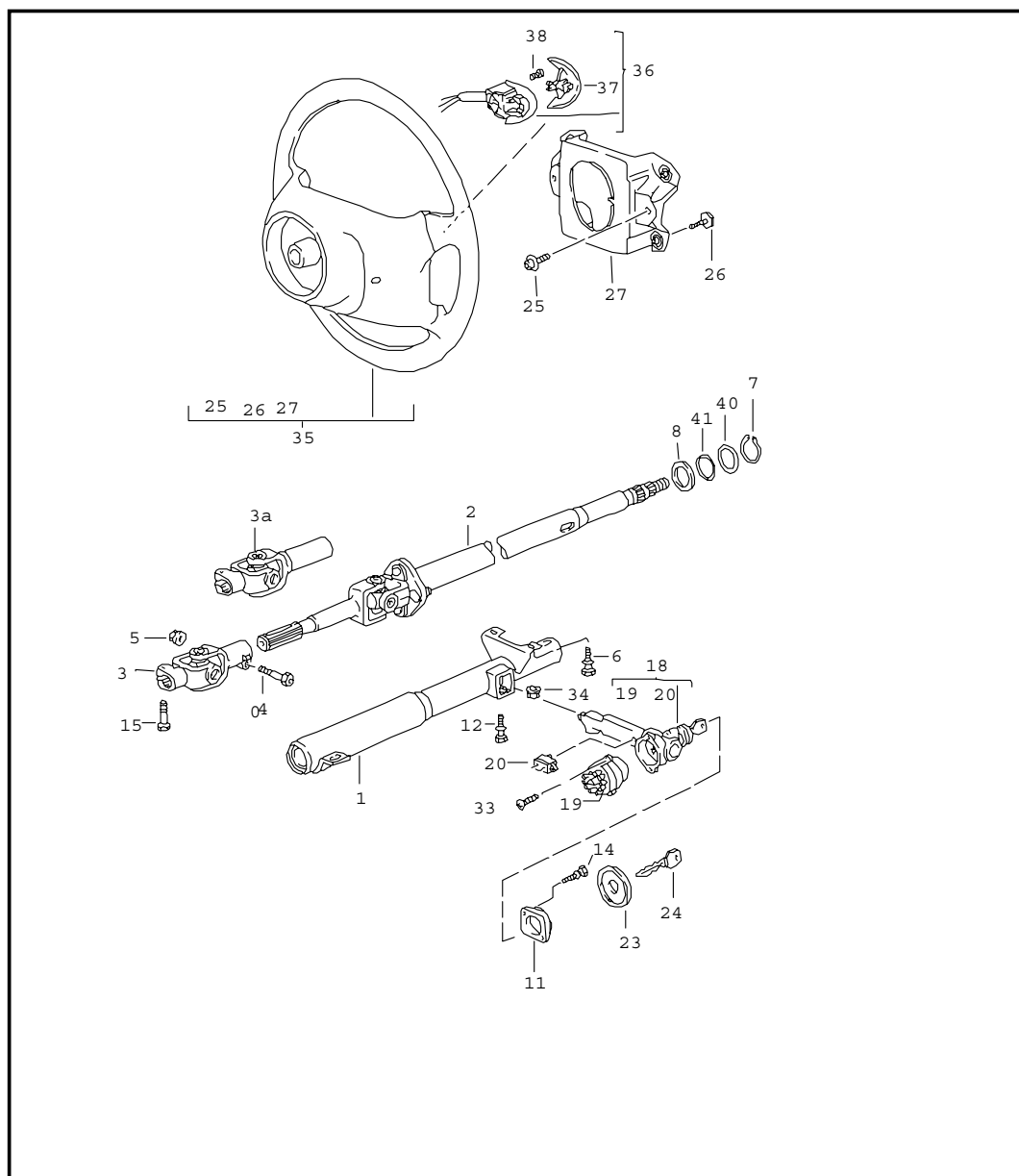
Pos	Part Number	Name	Remarks	Qty	Model
		power steering power-steering pump			
1	993 314 050 27	power-steering pump		1	
2	993 147 189 00	angle		1	
3	900 075 366 02	screw M 8 X 16		1	
4	900 075 221 02	screw M 6 X 18		2	
-	930 126 135 01	washer		2	
5	900 382 002 02	screw M 8 X 20		1	
6	900 123 140 30	sealing ring A 18 X 22		1	
7	993 314 157 26	union		1	
		- - - E N D - - -			

Model	Year	MG	SG	Illustration	Restrictions	Update	17:41	23.08.2006	PORSCHE	PET	PORSCHE
993	98	4	03	403-04		203					



Pos	Part Number	Name	Remarks	Qty	Model
		power steering power-steering pump container			TURBO
1	> 993 314 050 10	power-steering pump clutch steering		1	
-	993 147 191 50	support mount support		1	
-	900 075 345 02	hexagon-head bolt m 6 x 35		1	
-	900 075 343 02	hexagon-head bolt m 6 x 45		1	
-	900 067 332 02	hexagon socket head bolt m 6 x 45		2	
2	993 314 020 30	container		1	
3	993 314 145 00	cover		1	
4	993 314 110 02	support		1	
5	964 356 635 00	rubber mounting		3	
6	999 045 004 40	hexagon nut		3	
7	900 380 003 02	hexagon nut M 6		1	
8	900 175 020 02	banjo bolt		1	
9	900 123 116 30	sealing ring A 12 X 15,5		2	
10	900 175 005 02	banjo bolt		1	
11	900 123 131 30	sealing ring A 16 X 20		2	
12	N 021 074 1	banjo bolt		1	
13	900 123 007 30	sealing ring A 14 X 18		2	
		- - - E N D - - -			

Model	Year	MG	SG	Illustration	Restrictions	Update	17:41	23.08.2006	PORSCHE	PET	PORSCHE
993	98	4	03	403-05		203					



Pos	Part Number	Name	Remarks	Qty	Model
		steering outer tube steering shaft steering wheels			
1	993 347 013 50	steering outer tube airbag	/LL	1	
(1)	964 347 014 50	steering outer tube airbag	/RL	1	
2	993 347 059 50	steering shaft airbag	/LL	1	
2	993 347 060 50	steering shaft airbag	/RL	1	
3	964 347 025 10	universal joint	/RL	1	
3AA	964 347 206 50	universal joint	/LL	1	
3A	964 347 206 51	universal joint	/LL	1	
4	999 311 003 02	fit bolt M 8 X 37	/RL	1	
5	999 084 435 02	hexagon nut M 8	/RL	1	
6	901 347 753 00	shear bolt		2	
7	999 042 039 01	snap ring		1	
8	999 234 022 01	shim 1 MM		1	
10	900 031 011 02	washer		2	
11	911 347 359 01	reinforcement plate		1	
12	999 219 024 02	shear bolt M 8 X 13,5	/LL	1	
(12)	999 219 030 02	shear bolt M 8 X 10,5	/RL	1	
14	999 219 017 02	shear bolt M 6 X 25		2	
15	999 311 004 02	fit bolt M 8 X 26		1	
18	964 347 917 01	steering lock w/o stipulated lock number state lock number		1	
18	964 347 917 00	steering lock with stipulated lock-no. state lock number		1	

Model	Year	MG	SG	Illustration	Restrictions	Update	17:41	23.08.2006	PORSCHE	PET	PORSCHE
993	98	4	03	403-05		203					

Pos	Part Number	Name	Remarks	Qty	Model	Pos	Part Number	Name	Remarks	Qty	Model
19	964 613 012 00	ignition starter switch		1		27	993 347 088 01	retaining frame see technical information GR.6 NR.5/96	96	1	
20	911 613 125 00	buzzer contact		1							
23	911 613 160 01	rose		1		27	993 347 088 01	retaining frame see technical information GR.6 NR.5/96	96-	1	
	70B	black for ignition starter lock				33	N 014 122 8	oval-head screw		2	
24	911 538 902 00	replacement key state lock number information available		1		34	964 347 811 01	threaded bush for steering outer tube		1	
25	999 073 088 09	pan-head screw M 6X16	-94	2		35 A	993 347 804 50	steering wheel airbag	94	1	
25	999 073 088 09	pan-head screw M 6 X 16 see technical information GR.6 NR.5/96	95-	2			8YR	black			
							6XL	classic grey			
25	999 073 088 09	pan-head screw M 6 X 16 see technical information GR.6 NR.5/96	96	2			H24	midnight blue			
							T15	chestnut brown			
25	999 073 134 02	pan-head screw M 6 X 9,1 see technical information GR.6 NR.5/96	96-	2		35	993 347 804 52	steering wheel airbag	94	1	
							8YR	black			
26	999 073 089 02	hexagon-head bolt M 5 X 20	-94	4			6XL	classic grey			
							H24	midnight blue			
26	999 073 089 02	hexagon-head bolt M 5 X 20 see technical information GR.6 NR.5/96	95-	4			T15	chestnut brown			
						35	993 347 804 53	steering wheel airbag see technical information GR.6 NR.5/96	95-	1	
26	999 073 089 02	hexagon-head bolt M 5 X 20 see technical information GR.6 NR.5/96	96	4			A28	black			
							6XL	classic grey			
26	999 073 127 02	hexagon-head bolt M 5 X 20 see technical information GR.6 NR.5/96	96-	4			H24	midnight blue			
							T15	chestnut brown			
27	993 347 088 00	retaining frame	94	1			E38	rubicon grey			
27	993 347 088 00	retaining frame see technical information GR.6 NR.5/96	95	1		35	993 347 804 53	steering wheel airbag see technical information GR.6 NR.5/96	96	1	
							A28	black			

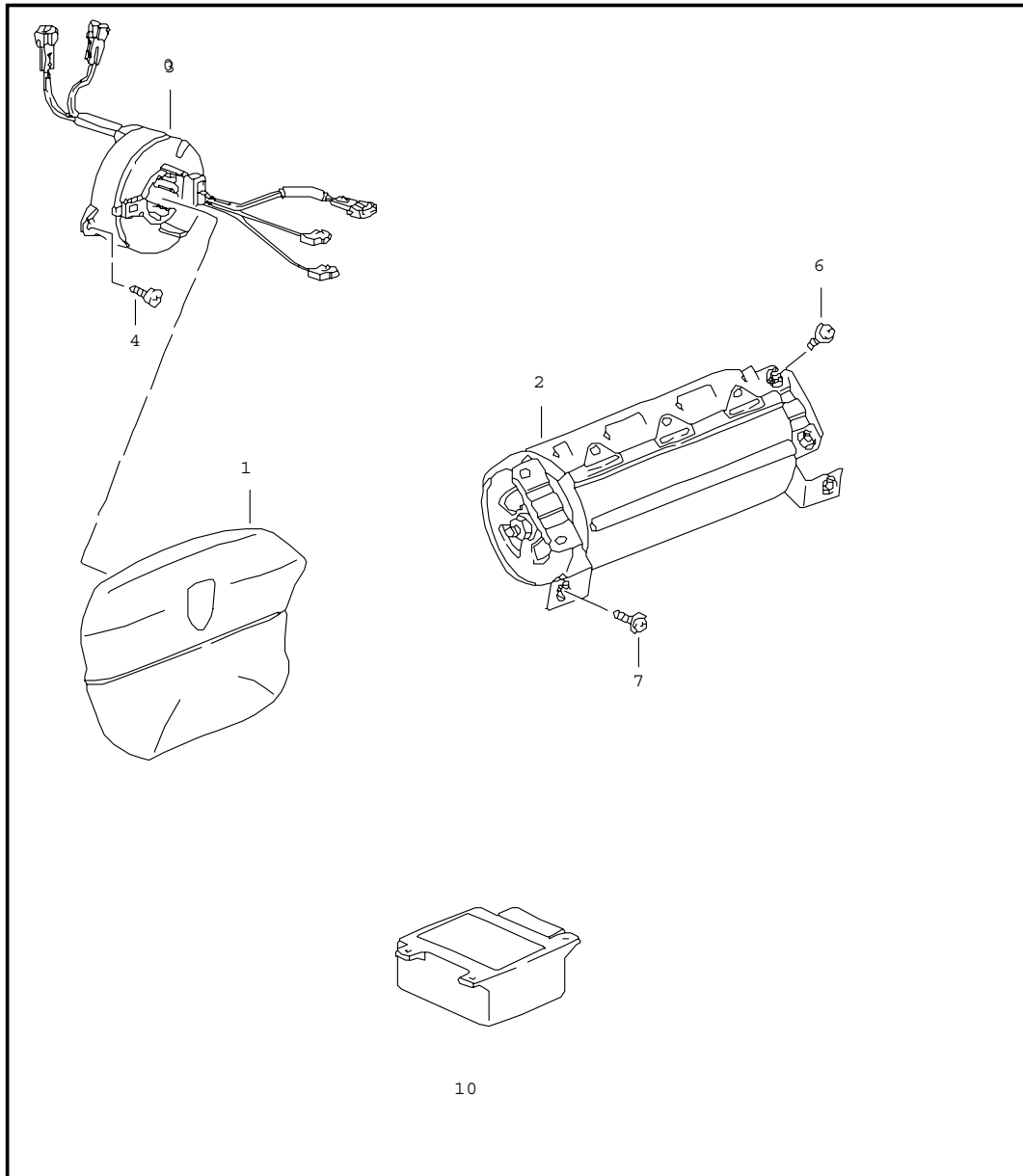
Model	Year	MG	SG	Illustration	Restrictions	Update	17:41	23.08.2006	PORSCHE	PET	PORSCHE
993	98	4	03	403-05		203					

Pos	Part Number	Name	Remarks	Qty	Model	Pos	Part Number	Name	Remarks	Qty	Model
	6XL	classic grey					6XL	classic grey			
	H24	midnight blue					H24	midnight blue			
	T15	chestnut brown					T15	chestnut brown			
	E38	rubicon grey				(35)	993 347 804 63	steering wheel airbag see technical information GR.6 NR.5/96	96-	1	M 249
35	993 347 804 55	steering wheel airbag see technical information GR.6 NR.5/96	96-	1			8YR	black			
	8YR	black					6XL	classic grey			
	6XL	classic grey					H24	midnight blue			
	H24	midnight blue					T15	chestnut brown			
	T15	chestnut brown				(35)	993 347 804 64	steering wheel airbag see technical information GR.6 NR.5/96	98	1	M 249
35	993 347 804 56	steering wheel airbag see technical information GR.6 NR.5/96	98	1			8YR	black			
	8YR	black					6XL	classic grey			
	6XL	classic grey					H24	midnight blue			
	H24	midnight blue					T15	chestnut brown			
	T15	chestnut brown				-	900 078 006 01	hexagon nut M 16 X 1,5		1	
	E38	rubicon grey				-	N 012 238 1	washer B 16		1	
(35)	993 347 804 60	steering wheel airbag see technical information GR.6 NR.5/96	95	1	M 249	36	993 347 831 00	switch	95-	1	M 249
	8YR	black				37	993 347 835 00	lever	/L 95-	1	M 249
	6XL	classic grey					01C	black			
	H24	midnight blue				(37)	993 347 836 00	lever	/R 95-	1	M 249
	T15	chestnut brown					01C	black			
(35)	993 347 804 61	steering wheel airbag see technical information GR.6 NR.5/96	96	1	M 249	38	900 146 016 02	round head screw M 3 X 6	95-	4	M 249
	8YR	black				-	900 078 006 01	hexagon nut M 16 X 1,5		1	
						-	900 028 020 01	spring washer B 16		1	

Model	Year	MG	SG	Illustration	Restrictions	Update					
993	98	4	03	403-05		203	17:41	23.08.2006	PORSCHE	PET	PORSCHE

Pos	Part Number	Name	Remarks	Qty	Model	Pos	Part Number	Name	Remarks	Qty	Model
40	999 234 023 01	shim 28 X 22,4 X 2,8		1							
41	999 707 138 40	o-ring		1							
		- - - E N D - - -									

Model	Year	MG	SG	Illustration	Restrictions	Update	17:41	23.08.2006	PORSCHE	PET	PORSCHE
993	98	4	03	403-06		203					

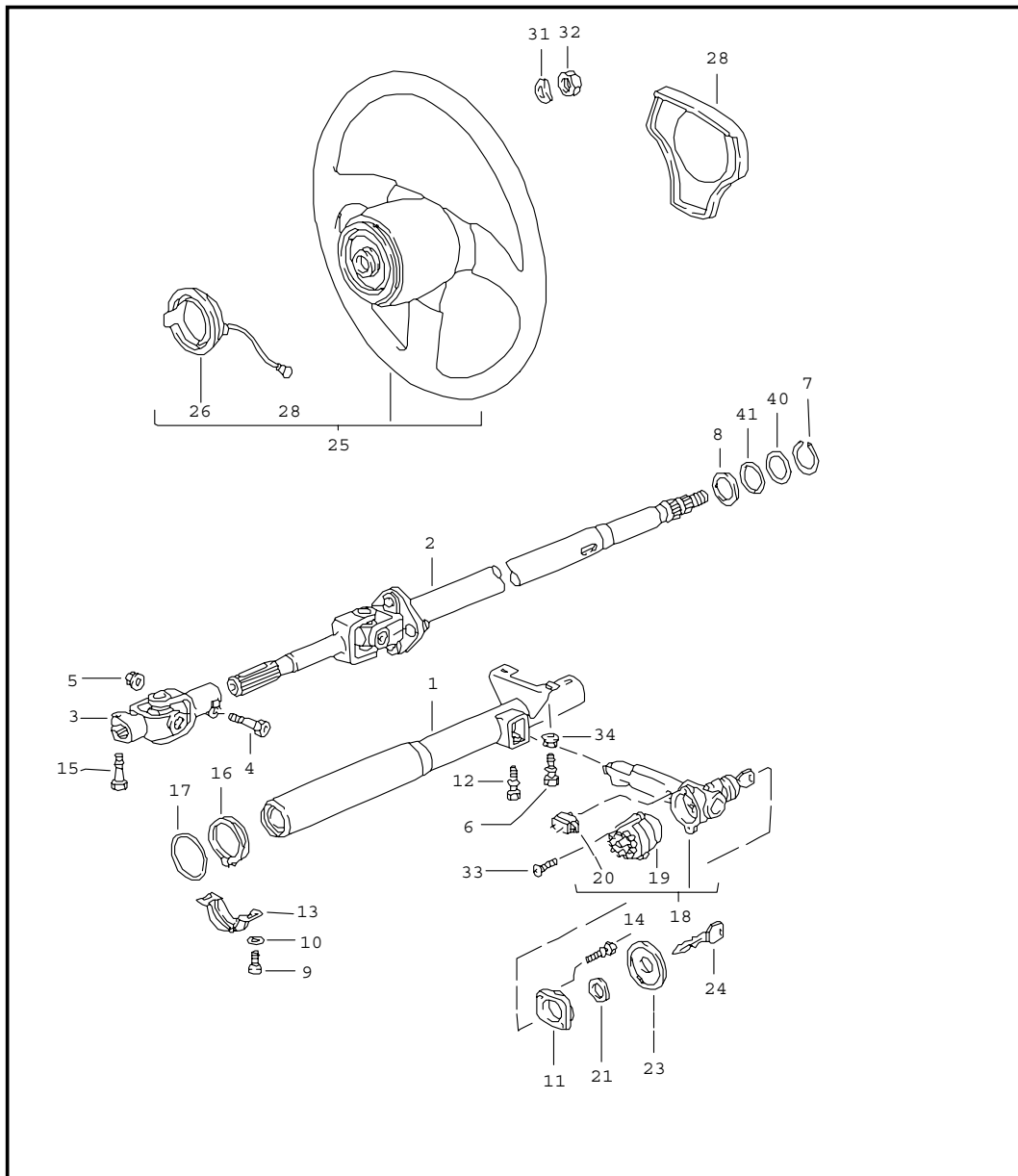


Pos	Part Number	Name	Remarks	Qty	Model
		airbag see technical information GR.6 NR.5/96			
1	993 347 089 00	airbag unit	94	1	
	8YR	black			
	6XL	classic grey			
	H24	midnight blue			
	T15	chestnut brown see technical information GR.6 NR.5/96			
1	993 803 089 00	airbag unit	95-	1	
	8YR	black			
	6XL	classic grey			
	H24	midnight blue			
	T15	chestnut brown see technical information GR.6 NR.5/96			
1	993 803 089 00	airbag unit	96	1	
	8YR	black			
	6XL	classic grey			
	H24	midnight blue			
	T15	chestnut brown see technical information GR.6 NR.5/96			
1 A	993 803 089 01	airbag unit	96-	1	
	8YR	black			
	6XL	classic grey			
	H24	midnight blue			
	T15	chestnut brown see technical information GR.6 NR.5/96			
1	996 803 089 03	airbag unit	96-	1	
	8YR	black			
	6XL	classic grey			

Model	Year	MG	SG	Illustration	Restrictions	Update					
993	98	4	03	403-06		203	17:41	23.08.2006	PORSCHE	PET	PORSCHE

Pos	Part Number	Name	Remarks	Qty	Model	Pos	Part Number	Name	Remarks	Qty	Model
	H24	midnight blue									
	T15	chestnut brown see technical information GR.6 NR.5/96									
2	993 803 071 00	airbag unit passenger's side	/LL	1							
2	993 803 072 00	airbag unit passenger's side	/RL	1							
3	996 652 211 00	support for contact		1							
(3)	996 652 213 00	support for contact	95-	1	M 249						
4	900 146 024 07	oval-head screw M 5 X 8		2							
6	900 146 003 02	oval-head screw M 5 X 10		2							
7	900 146 153 02	screw M 5 X 12		2							
8	900 028 007 07	spring washer A 5		2							
		attention electronic mail NR.4/98									
10	A 993 618 217 00	switch unit F >>99TS3 10086 F >>99TS3 30073 F >>99TS3 90644 F >>99TS3 71089		1	COUPE CABRIO CARRERA RS TURBO						
10	A 993 618 219 00	switch unit		1							
10	996 618 217 01	switch unit	-96	1							
10	996 618 217 01	switch unit	97-	1							
-	944 618 401 00	nut		3							
		- - - E N D - - -									

Model	Year	MG	SG	Illustration	Restrictions	Update	17:42	23.08.2006	PORSCHE	PET	PORSCHE
993	98	4	03	403-07		203					

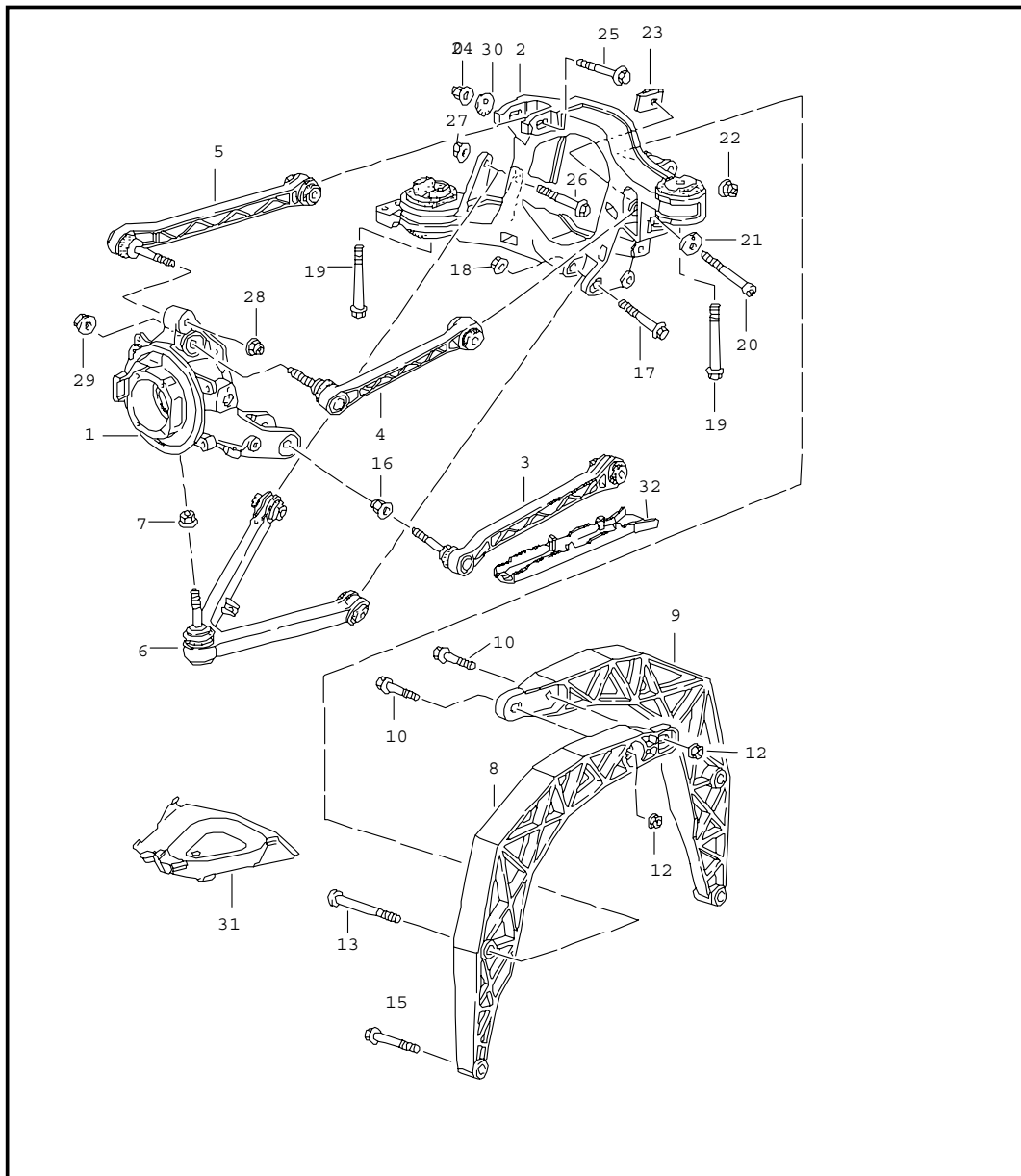


Pos	Part Number	Name	Remarks	Qty	Model
		steering outer tube			CARRERA RS
		steering shaft			M 564
		steering wheels			
1	964 347 013 02	steering outer tube	/LL	1	
(1)	964 347 014 02	steering outer tube	/RL	1	
2	964 347 051 00	steering shaft	/LL	1	
2	964 347 052 00	steering shaft	/RL	1	
3	964 347 025 10	universal joint		1	
4	999 311 003 02	fit bolt	/RL	1	
5	999 084 435 02	hexagon nut	/RL	1	
6	901 347 753 00	shear bolt		2	
7	900 041 012 01	snap ring		1	
8	999 234 023 01	shim		1	
9	N 014 701 3	pan-head screw		2	
10	900 031 011 02	washer		2	
11	911 347 359 01	reinforcement plate		1	
12	999 219 024 02	shear bolt M 8 X 13,5	/LL	1	
(12)	999 219 030 02	shear bolt M 8 X 10,5	/RL	1	
13	964 347 476 01	support		1	
14	999 219 017 02	shear bolt M 6 X 25		2	
15	999 311 004 02	fit bolt		1	
16	964 347 701 01	sealing ring		1	
17	999 707 008 40	o-ring		1	
18	964 347 917 01	steering lock w/o stipulated lock number		1	
18	964 347 917 00	steering lock with stipulated lock-no. state lock number		1	
19	964 613 012 00	ignition starter switch		1	
20	911 613 125 00	buzzer contact		1	

Model	Year	MG	SG	Illustration	Restrictions	Update	17:42	23.08.2006	PORSCHE	PET	PORSCHE
993	98	4	03	403-07		203					

Pos	Part Number	Name	Remarks	Qty	Model	Pos	Part Number	Name	Remarks	Qty	Model
23	911 613 160 01	rose		1							
	70B	black									
24	911 538 902 00	replacement key state lock number information available		1							
(25)	993 347 084 80	steering wheel		1							
	8YR	black									
26	993 347 099 81	slip ring		1							
28	993 347 859 80	pad for horn		1							
	8YR	black									
31	N 012 238 1	spring washer B 16		1							
32	900 078 006 01	hexagon nut M 16 X 1,5		1							
33	N 014 122 8	oval-head screw		2							
34	964 347 811 01	threaded bush for steering outer tube		2							
40	999 234 022 01	shim		1							
41	999 707 138 40	o-ring		1							
		- - - E N D - - -									

Model	Year	MG	SG	Illustration	Restrictions	Update	17:42	23.08.2006	PORSCHE	PET	PORSCHE
993	98	5	01	501-00		203					

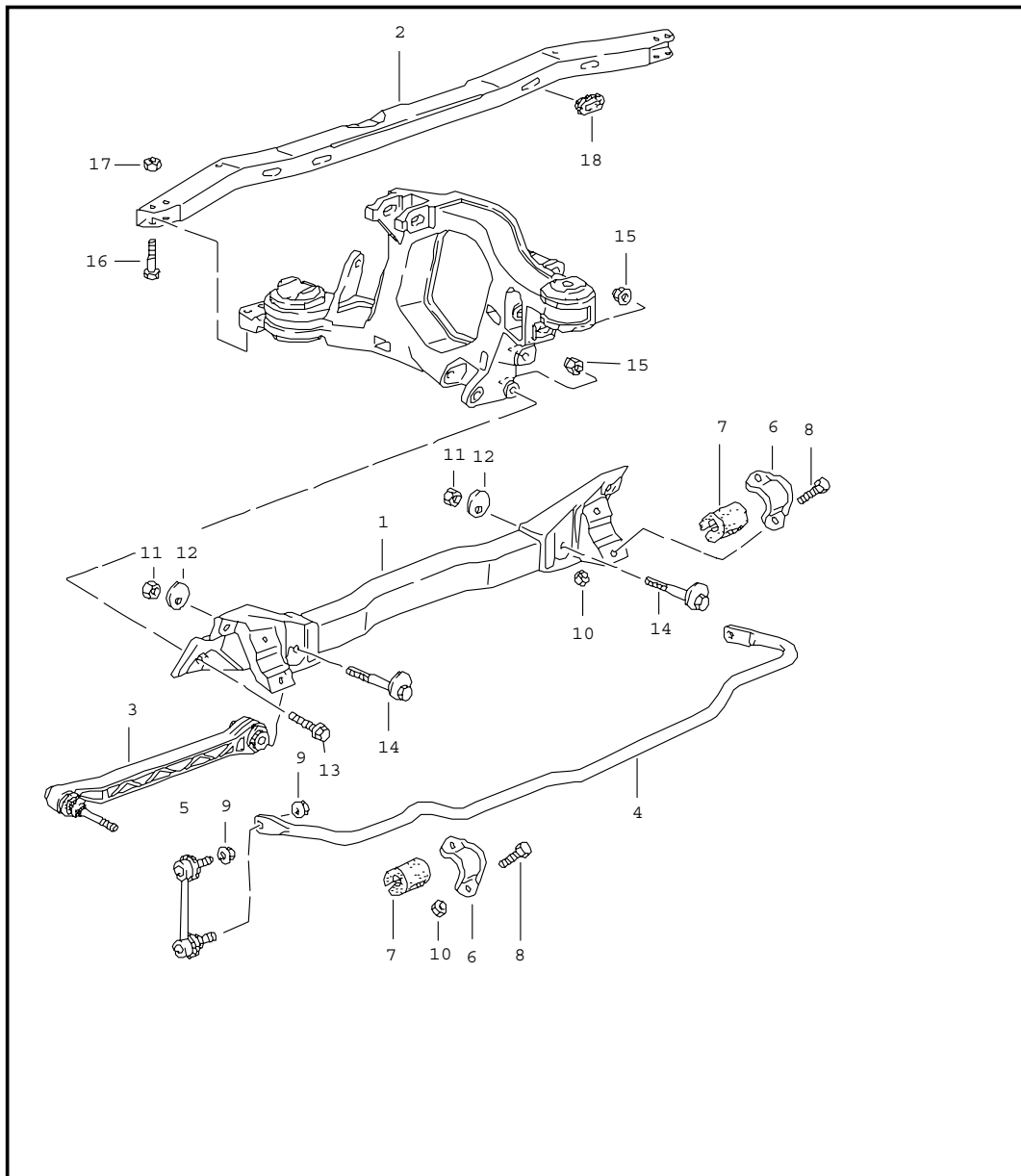


Pos	Part Number	Name	Remarks	Qty	Model
		rear axle			
1	993 331 155 00	wheel carrier	/L 94	1	
1	993 331 155 01	wheel carrier	/L 95-	1	
1	993 331 156 00	wheel carrier	/R 94	1	
1	993 331 156 01	wheel carrier	/R 95-	1	
-	993 612 551 00	cable holder		2	
-	928 612 529 01	cable clip anti-lock brake system		2	
-	999 591 924 40	cable holder anti-lock brake system		2	
-	928 612 531 01	cable clip	/L	1	
-	928 612 531 00	push-on connector	/R	1	
2	993 331 051 00	side section	/L	1	
2	993 331 051 80	side section	/L	1	CARRERA RS
2	993 331 052 00	side section	/R	1	
2	993 331 052 80	side section	/R	1	CARRERA RS
3	993 331 043 00	control arm	<	2	
4	993 331 045 02	control arm	-95	2	
4	993 331 045 03	control arm	96-	2	
4	A 993 331 045 70	control arm		2	CARRERA RS
4	993 331 045 80	control arm		2	CARRERA RS
5	993 331 047 00	control arm	94	2	
5	993 331 047 03	control arm	95-	2	
5	993 331 047 03	control arm	96-	2	
6	993 331 041 01	control arm	/L -95	1	
6	993 331 041 02	control arm	/L 96-	1	
6	993 331 041 81	control arm	/L -95	1	CARRERA RS
6	993 331 041 81	control arm	/L 96-	1	CARRERA RS
6	993 331 042 01	control arm	/R -95	1	
6	993 331 042 02	control arm	/R 96-	1	

Model	Year	MG	SG	Illustration	Restrictions	Update	17:42	23.08.2006	PORSCHE	PET	PORSCHE
993	98	5	01	501-00		203					

Pos	Part Number	Name	Remarks	Qty	Model	Pos	Part Number	Name	Remarks	Qty	Model
6	993 331 042 70	control arm	/R -95	1	CARRERA RS	25 A	993 331 217 01	eccentric screw	-96	2	
6	993 331 042 81	control arm	/R 96-	1	CARRERA RS	25	996 331 217 02	eccentric screw	97-	2	
7	900 380 009 09	hexagon nut VM 12 X 1,5		2		(25)	993 331 217 80	eccentric screw		2	CARRERA RS
8	993 331 131 04	cross member		1		26	900 378 051 09	hexagon-head bolt M 14 X 1,5 X 100		2	
8	993 331 131 05	cross member		1	TURBO	27	900 380 012 09	hexagon nut VM 14 X 1,5		2	
8	993 331 131 06	cross member	96-	1		28	999 084 449 09	hexagon nut VM 12 X 1,5		2	
9	993 331 131 04	cross member		1		29	999 084 449 09	hexagon nut VM 12 X 1,5		2	
9	993 331 131 05	cross member		1	TURBO	30	993 331 219 00	eccentric washer	-96	2	
9	993 331 131 06	cross member	96-	1		30	996 331 219 00	eccentric washer	97-	2	
10	900 378 021 09	hexagon-head bolt M 10 X 40		2		(30)	993 331 219 80	eccentric washer		2	CARRERA RS
12	900 380 008 09	hexagon nut VM 10		2		31	993 331 313 03	cover		2	
13	900 378 052 09	hexagon-head bolt M 12 X 1,5 X 80		2		32	993 331 315 01	cover		2	
15	900 378 049 09	hexagon-head bolt M 12 X 1,5 X 60		2				- - - E N D - - -			
16	999 084 449 09	hexagon nut VM 12 X 1,5		2							
17	900 378 052 09	hexagon-head bolt M 12 X 1,5 X 80		2							
18	999 084 445 09	hexagon nut VM 12 X 1,5		2							
19	999 072 003 09	hexagon-head bolt M 12 X 1,5 X 110		2							
20	900 067 323 09	hexagon-head bolt M 12 X 1,5 X 90		2							
21	993 331 219 01	eccentric washer		2							
22	999 084 445 09	hexagon nut VM 12 X 1,5		2							
23	999 507 384 09	captive nut M 12 X 1,5		2							
24	999 084 445 09	hexagon nut VM 12 X 1,5		2							
25 A	993 331 217 00	eccentric screw		2							

Model	Year	MG	SG	Illustration	Restrictions	Update	17:42	23.08.2006	PORSCHE	PET	PORSCHE
993	98	5	01	501-01		203					

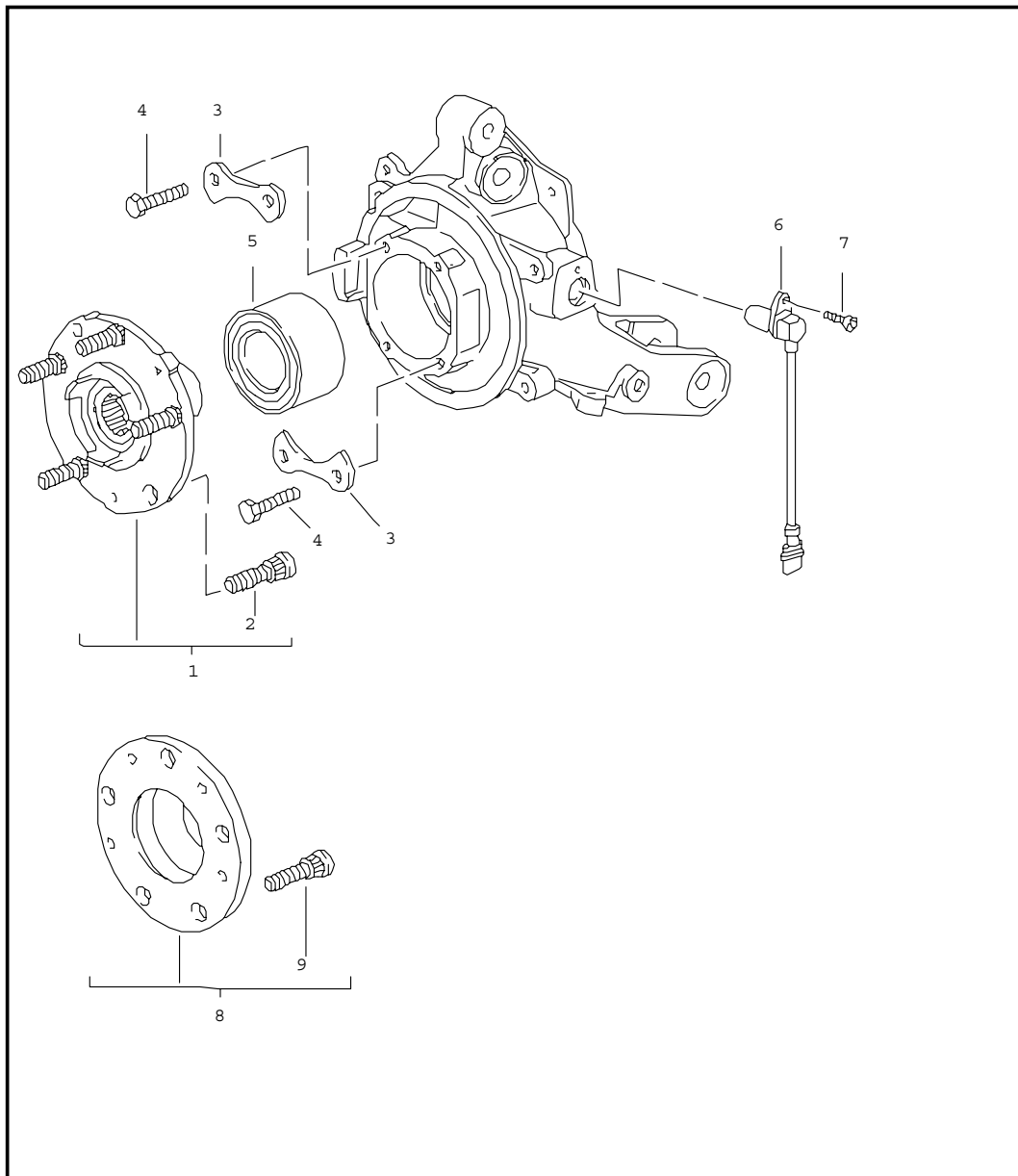


Pos	Part Number	Name	Remarks	Qty	Model
		rear axle carrier stabiliser			
1	993 331 261 01	cross member	-95	1	
(1)	993 331 261 02	cross member	96-	1	
2	993 331 171 02	cross member		1	
3	993 331 043 00	control arm	-95	2	
3	993 331 043 01	control arm	96-	2	
4	993 333 701 01	stabiliser 18 MM		1	
4	993 333 701 03	stabiliser 20 MM		1	M 030 M 030/M 495
4	993 333 701 04	stabiliser 21 MM		1	TURBO
4	993 333 707 81	stabiliser		1	CARRERA RS
5	993 333 073 01	stabiliser mounting		2	
5	993 333 073 02	stabiliser mounting		2	
5	993 333 073 02	stabiliser mounting	95-	2	M 030
5	993 333 073 02	stabiliser mounting		2	TURBO
5	993 333 073 80	stabiliser mounting		2	CARRERA RS
6	113 411 333	retaining bow		2	
7	477 411 313 B	stabiliser mounting 18 MM		2	M 033/M 495
7	477 411 313 C	stabiliser mounting 20 MM		2	M 030 CARRERA RS M 030/M 495
7	477 411 313 D	stabiliser mounting 19,5 MM		2	TURBO
8	900 378 017 09	hexagon-head bolt M 8 X 20	94	4	
8	900 378 022 09	hexagon-head bolt M 8 X 25		4	
9	900 380 007 09	hexagon nut M 10	95-	4	

Model	Year	MG	SG	Illustration	Restrictions	Update					
993	98	5	01	501-01		203	17:42	23.08.2006	PORSCHE	PET	PORSCHE

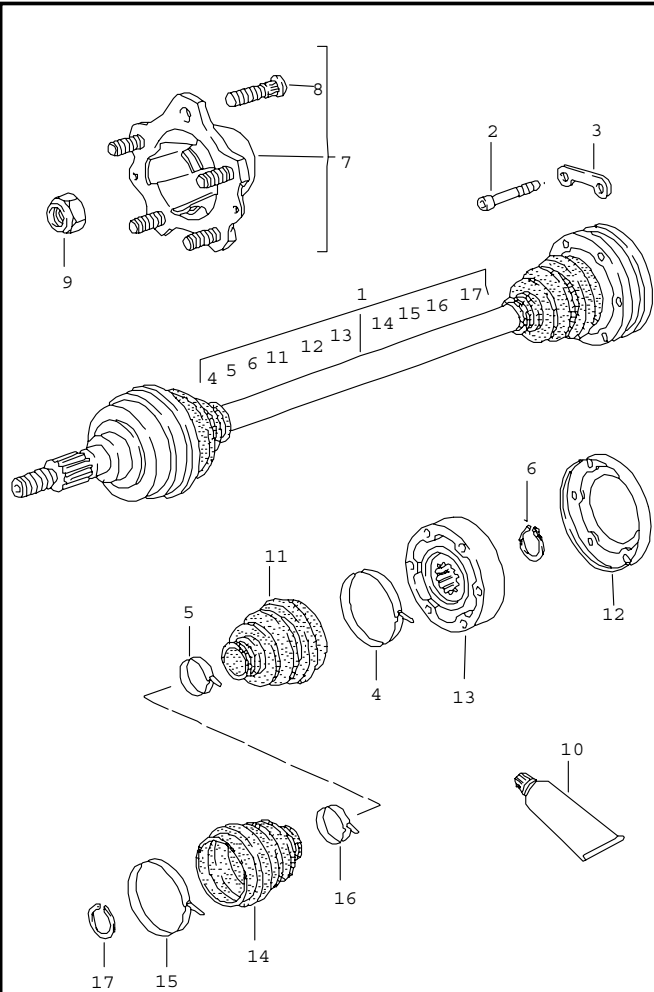
Pos	Part Number	Name	Remarks	Qty	Model	Pos	Part Number	Name	Remarks	Qty	Model
10	900 380 005 09	hexagon nut M 8		4							
11	999 084 445 09	hexagon nut M 12		2							
12	993 331 219 00	eccentric washer	-96	2							
12	996 331 219 00	eccentric washer	97-	2							
13	900 378 061 09	hexagon-head bolt M 12 X 1,5 X 50		2							
14	A 993 331 217 00	eccentric screw		2							
14	A 993 331 217 01	eccentric screw	-96	2							
14	996 331 217 02	eccentric screw	97-	2							
15	999 084 445 09	hexagon nut M 12		4							
16	900 378 021 09	hexagon-head bolt M 10 X 40		4							
17	900 380 008 09	hexagon nut M 10		4							
18	993 331 310 00	rubber sleeve		4							
		- - - E N D - - -									

Model	Year	MG	SG	Illustration	Restrictions	Update	17:42	23.08.2006	PORSCHE	PET	PORSCHE
993	98	5	01	501-02		203					



Pos	Part Number	Name	Remarks	Qty	Model
		wheel hub			
1	993 331 065 01	wheel hub		2	
2	904 341 671 00	wheel bolt		10	
3	964 331 199 02	retainer plate		4	
4	A 900 075 033 09	hexagon-head bolt M 8 X 40		8	
(4)	900 075 414 09	hexagon-head bolt M 8 X 40		8	
5	999 053 050 00	angular-contact bearing		2	
6	993 606 402 00	speed sensor	-95	2	
6	993 606 405 00	speed sensor	96-	2	
7	900 067 117 09	pan-head screw M 6 X 16		2	
8	996 361 631 00	spacer ring 31 MM	97-	2	M 495
9	993 331 671 01	wheel bolt	97-	10	M 495
		- - - E N D - - -			

Model	Year	MG	SG	Illustration	Restrictions	Update	17:42	23.08.2006	PORSCHE	PET	PORSCHE
993	98	5	01	501-05		203					

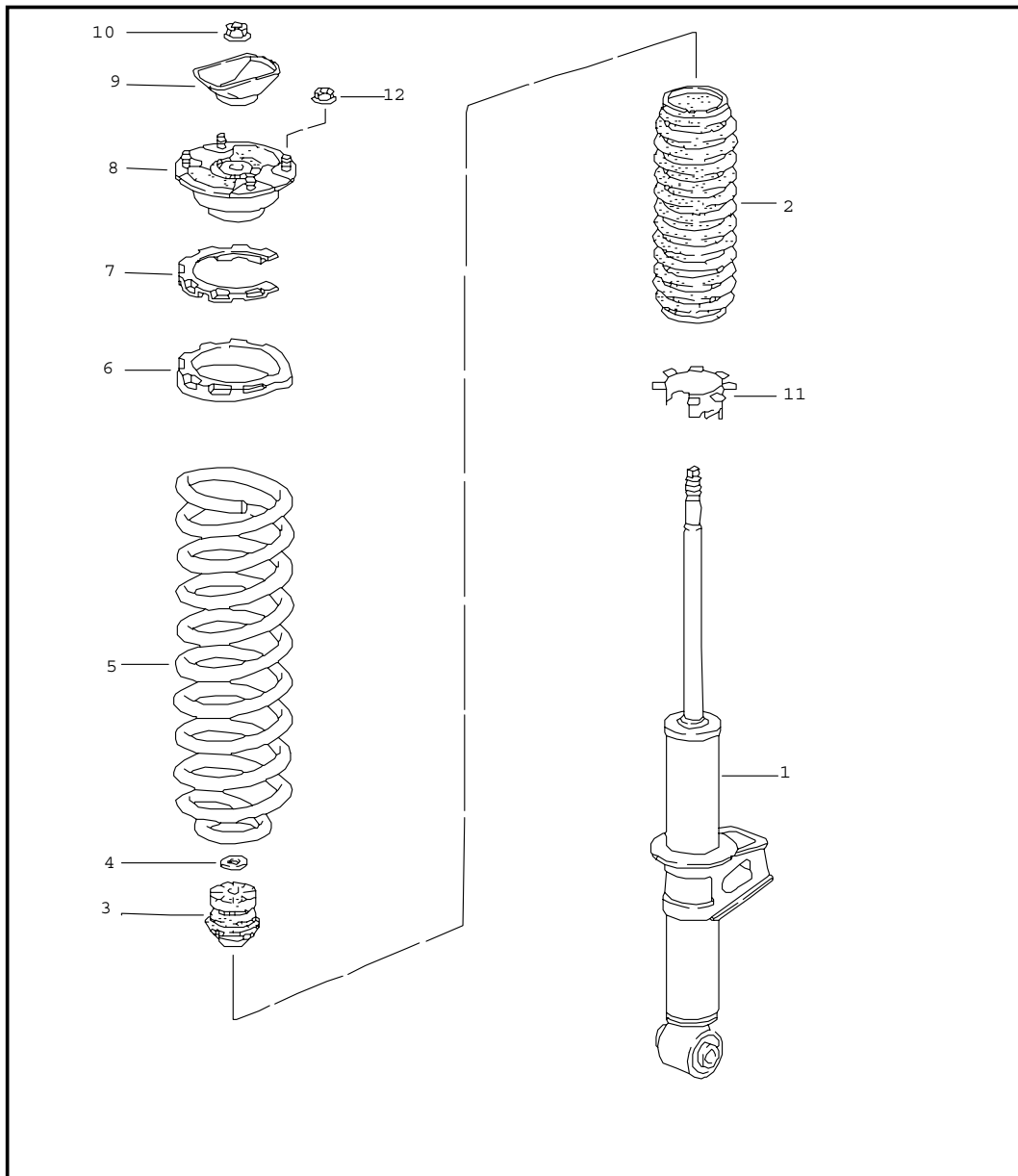


Pos	Part Number	Name	Remarks	Qty	Model
		drive shaft rear-wheel hub			
1	993 332 024 00	drive shaft	-96	2	
1	993 332 024 04	drive shaft	97-	2	
1	993 332 024 01	drive shaft	-96	2	M 249
1	993 332 024 05	drive shaft	97-	2	M 249
1	993 332 024 10	drive shaft	-96 -96	2	TURBO CARRERA RS
1	993 332 024 12	drive shaft	97-	2	TURBO
2	900 067 123 09	pan-head screw M 10 X 50		12	
3	993 332 191 00	plate		6	
4	911 332 257 00	clip \$ 73 MM		4	
5	928 332 257 01	clip \$ 34 MM		4	
6	900 041 014 00	circlip		4	
-	911 332 259 01	cap		2	
7	993 331 065 01	wheel hub		2	
8	904 341 671 00	wheel bolt		10	
9	999 084 634 09	lock nut M 22 X 1,5		2	
(9)	999 090 010 09	lock nut M 22 X 1,5		2	CARRERA RS
(9)	999 076 046 09	hexagon nut M 22 X 1,5		2	CARRERA RS
10	000 043 110 01	grease 1 tube 100 g		X	
11	928 332 293 02	dust bellows		2	
12	928 332 267 01	cover		1	
13	911 332 030 01	joint		2	
13	928 332 030 08	joint	-96 -96	2	CARRERA RS TURBO
13	993 332 030 00	joint	97-	2	TURBO

Model	Year	MG	SG	Illustration	Restrictions	Update	17:42	23.08.2006	PORSCHE	PET	PORSCHE
993	98	5	01	501-05		203					

Pos	Part Number	Name	Remarks	Qty	Model	Pos	Part Number	Name	Remarks	Qty	Model
14	928 332 293 02	dust bellows		2							
15	911 332 257 00	clip		2							
16	928 332 257 01	clip		2							
17	900 041 014 00	circlip		2							
		- - - E N D - - -									

Model	Year	MG	SG	Illustration	Restrictions	Update	17:43	23.08.2006	PORSCHE	PET	PORSCHE
993	98	5	02	502-00		203					

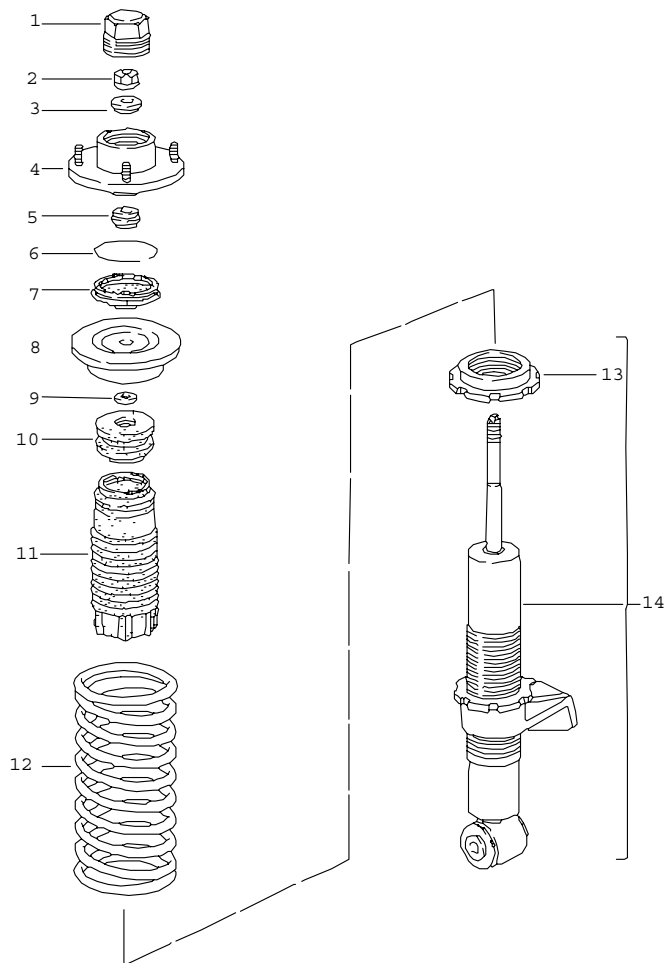


Pos	Part Number	Name	Remarks	Qty	Model
		shock absorber coil spring			
1	993 333 051 00	vibration damper -BOGE-	/L	1	
1	993 333 051 34	vibration damper - MONROE -	/L	1	
1	993 333 051 12	vibration damper -BOGE-	/L /L	1 1	M 030 TURBO
1	993 333 051 35	vibration damper - MONROE -	/L /L /L	1 1 1	M 030 TURBO M 491/M 030
1	993 333 051 02	vibration damper -BOGE-	/L /L /L	1 1 1	M 033 COUPE CABRIO
1	993 333 051 37	vibration damper - MONROE -	/L /L /L /L /L	1 1 1 1 1	M 033 COUPE CABRIO TARGA M 491
1	993 333 052 00	vibration damper -BOGE-	/R	1	
1	993 333 052 34	vibration damper - MONROE -	/R	1	
1	993 333 052 12	vibration damper -BOGE-	/R /R	1 1	M 030 TURBO
1	993 333 052 35	vibration damper - MONROE -	/R /R /R	1 1 1	M 030 TURBO M 491/M 030
1	993 333 052 02	vibration damper -BOGE-	/R /R /R	1 1 1	M 033 COUPE CABRIO
1	993 333 052 37	vibration damper - MONROE -	/R /R /R /R /R	1 1 1 1 1	M 033 COUPE CABRIO TARGA M 491
2	993 333 107 01	bellows		2	
3	993 333 105 00	additional spring		2	
4	999 025 240 02	washer		2	
5	993 333 531 02	coil spring 1 set		1	

Model	Year	MG	SG	Illustration	Restrictions	Update	17:43	23.08.2006	PORSCHE	PET	PORSCHE
993	98	5	02	502-00		203					

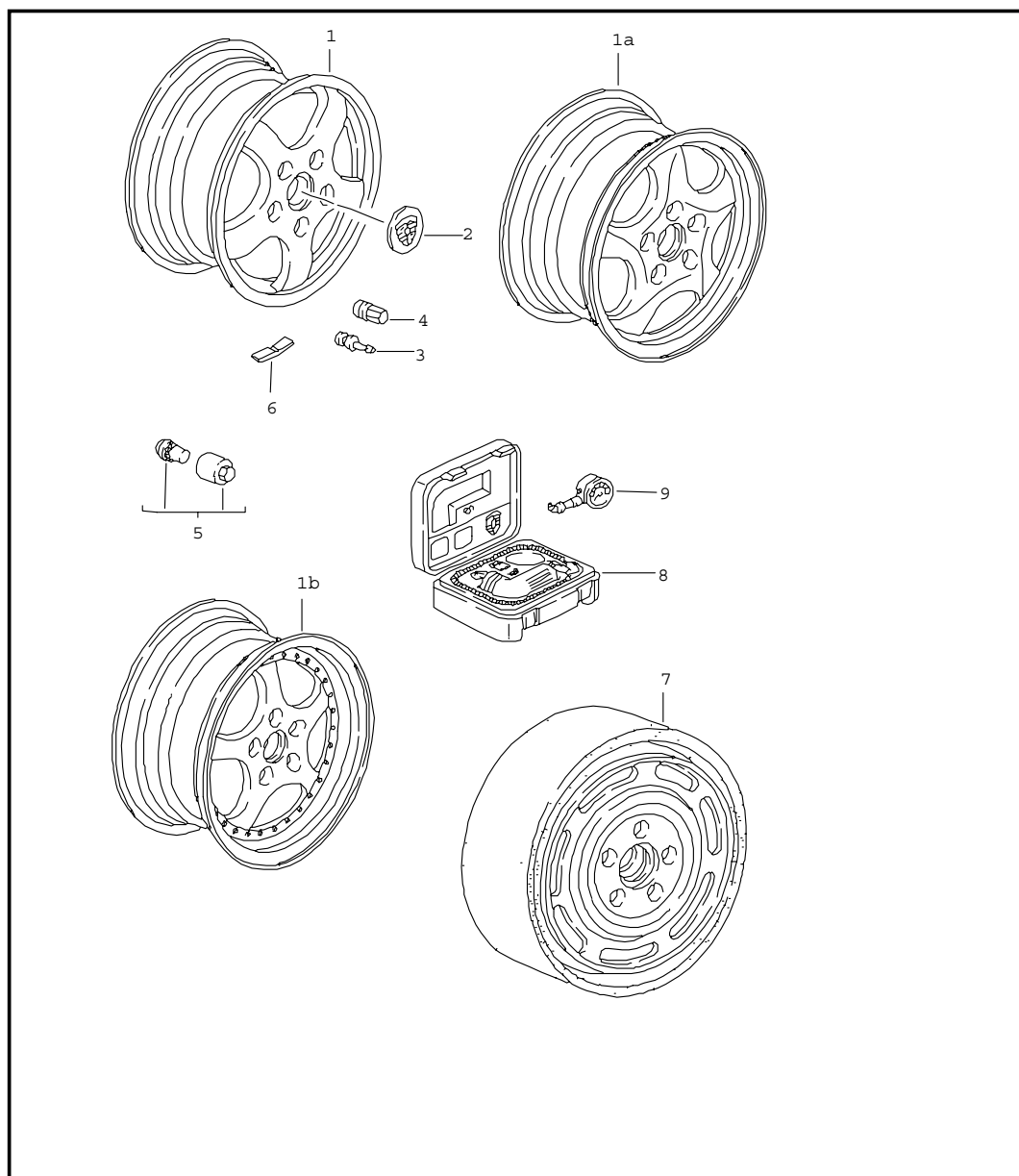
Pos	Part Number	Name	Remarks	Qty	Model	Pos	Part Number	Name	Remarks	Qty	Model
	504	marked violet				12	900 380 005 09	lock nut		8	
5	993 333 531 03	coil spring 1 set		1				- - - E N D - - -			
	504	marked grey									
5	993 333 531 11	coil spring 1 set		1	M 030						
	504	marked brown									
5	993 333 531 21	coil spring 1 set		1	M 033						
	504	marked white									
5	993 333 531 22	coil spring 1 set		1	M 033						
	504	marked lilac									
5	993 333 531 16	coil spring 1 set		1	TURBO						
	504	marked red									
5	993 333 531 23	coil spring 1 set		1	M 491						
	504	marked pink									
6	993 333 504 00	base		2							
7	993 333 511 00	intermediate piece 3,0 MM		2							
(7)	993 333 511 01	intermediate piece 5,5 MM		2							
(7)	993 333 511 02	intermediate piece 8,0 MM		2							
8	993 333 059 00	supporting mount		2							
9	993 333 503 00	stop plate		2							
10	999 084 445 09	lock nut		2							
11	993 333 110 01	supporting mount		2							

Model	Year	MG	SG	Illustration	Restrictions	Update	17:43	23.08.2006	PORSCHE	PET	PORSCHE
993	98	5	02	502-01		203					



Pos	Part Number	Name	Remarks	Qty	Model
		shock absorber coil spring			CARRERA RS
1	964 333 469 80	cap		2	
2	999 084 621 09	hexagon nut		2	
3	964 333 466 83	spacer sleeve		2	
4	993 333 059 80	supporting mount		2	
5	993 333 466 80	spacer sleeve		2	
6	964 343 188 80	retainer spring		2	
7	964 343 186 80	bellows		2	
8	993 333 523 80	concave washer		2	
9	999 025 230 02	washer		2	
10	964 333 105 80	additional spring		2	
11	993 333 107 80	bellows		2	
12	993 333 531 81	coil spring 1 set		1	
	504	marked yellow			
13	993 333 504 80	concave washer		2	
14	993 333 051 80	shock absorber - bilstein -		2	
		- - - E N D - - -			

Model	Year	MG	SG	Illustration	Restrictions	Update	17:43	23.08.2006	PORSCHE	PET	PORSCHE
993	98	6	01	601-00		203					



Pos	Part Number	Name	Remarks	Qty	Model
		wheels			
		see technical information GR.4 NR.5/95-10/95			
1	993 362 114 00	alloy wheel 7 J X 16 ET 55 silver metallic	/V	2	M 397
1	993 362 124 00	alloy wheel see tpi GR.6 NR.10/96 7 J X 17 ET 55 silver metallic	/V /V 97-	2 2	M 398 M 398/495
1	993 362 124 00	alloy wheel	/V /V /V 96- /V	2 2 2 2	TURBO CARRERA RS TARGA M 491
1A	993 362 136 00	alloy wheel 8 J X 18 ET 52 silver metallic	/V /V /V 97-	2 2 2	TURBO M 408/493 M 408/495
1B >	993 362 136 81	alloy wheel 8 J X 18 ET 52 silver metallic	/V	2	CARRERA RS
(1B)	993 362 124 50	alloy wheel 7 J X 17 ET 55 silver metallic	/V 96- /V 97-	2 2	TARGA M 393/495
1	993 362 118 01	alloy wheel 9 J X 16 ET 70 silver metallic	/H	2	M 397
1A	993 362 136 01	alloy wheel 8 J X 18 ET 52 silver metallic	/V 96-	2	M 491/413

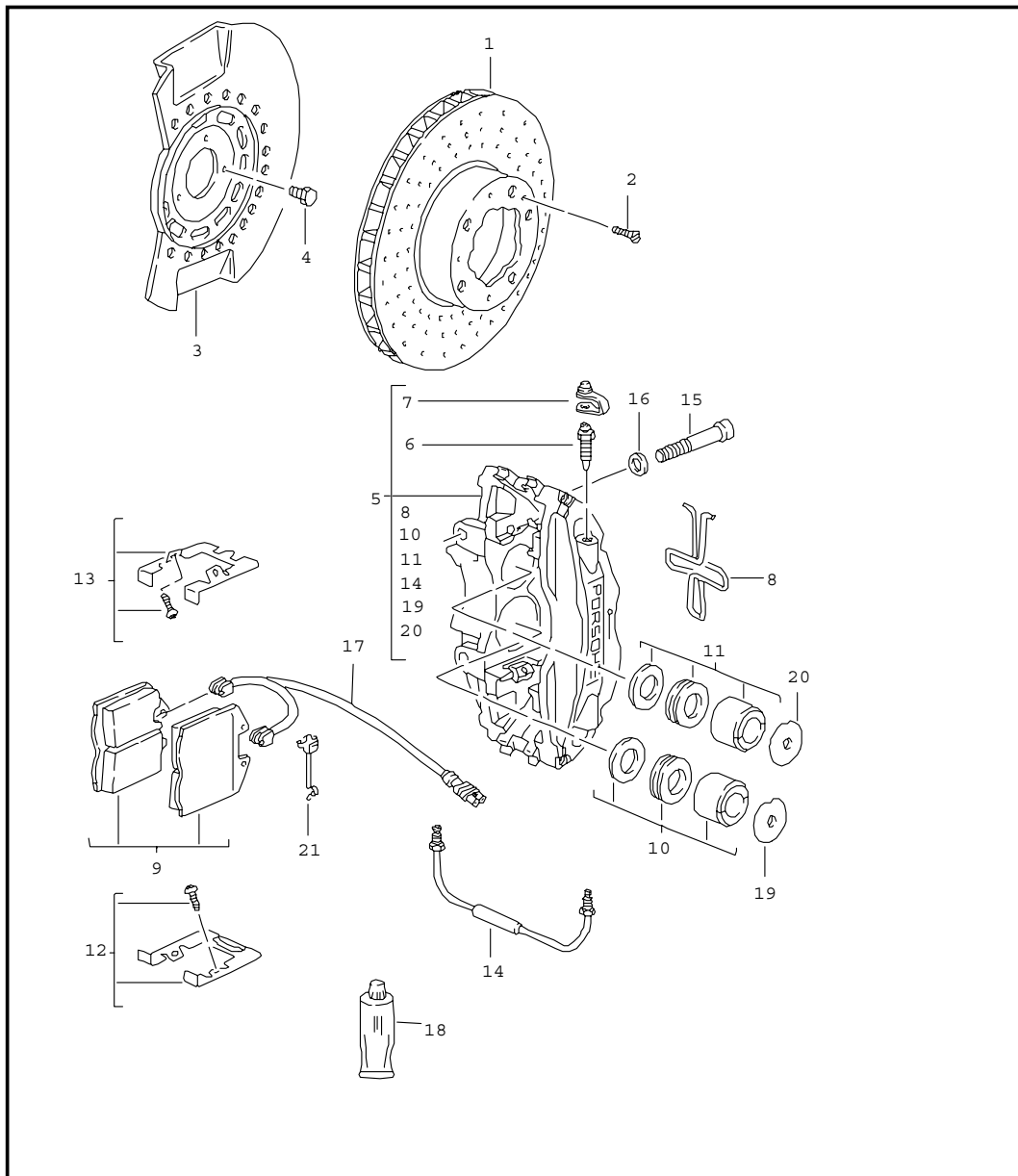
Model	Year	MG	SG	Illustration	Restrictions	Update	17:43	23.08.2006	PORSCHE	PET	PORSCHE
993	98	6	01	601-00		203					

Pos	Part Number	Name	Remarks	Qty	Model	Pos	Part Number	Name	Remarks	Qty	Model
1	993 362 116 01	alloy wheel 8 J X 16 ET 70 silver metallic for winter use	/H	2		1A	993 362 140 01	alloy wheel 10 J X 18 ET 65 silver metallic	/H 96-	2	M 408/493
1	993 362 128 01	alloy wheel 9 J X 17 ET 70 silver metallic	/H 94	2	M 398	1A	993 362 140 03	alloy wheel 10 J X 18 ET 40 silver metallic	/H 96-	2	M 491/413
1	993 362 128 01	alloy wheel 9 J X 17 ET 70 silver metallic	/H	2	M 398 (J)	1	993 362 126 02	alloy wheel 8 J X 17 ET 30 silver metallic for winter use	/H /H	2	TURBO M 491
1	993 362 128 00	alloy wheel 61M silver metallic 9 J X 17 ET 55 see technical information group 4 5/93	/H	2		(1B)	993 362 128 50	alloy wheel 9 J X 17 ET 55 silver metallic	/H 96- /H 97-	2	TARGA M 393/495
1	993 362 128 00	alloy wheel see tpi GR.6 NR.10/96 61M silver metallic 9 J X 17 ET 55	/H 97-	2	M 398/495	2	993 361 303 00	hub cap 61M silver		4	
1	993 362 126 01	alloy wheel 8 J X 17 ET 70 silver metallic for winter use	/H /H 96-	2 2	TARGA	(2)	993 361 303 01	hub cap 61M silver	95-	4	M 339
1B>	993 362 140 81	alloy wheel 10 J X 18 ET 65 silver metallic	/H	2	CARRERA RS	(2)	993 361 303 02	hub cap 61M silver		4	TURBO
1	993 362 126 01	alloy wheel silver metallic 8 J X 17 ET 70 for winter use	/H /H	2 2	CARRERA RS	(2)	993 361 303 04	hub cap 61M silver		4	CARRERA RS
1A	993 362 140 00	alloy wheel 10 J X 18 ET 40 silver metallic	/H /H /H 97-	2 2 2	TURBO M 408/491 M 408/495	(2)	993 361 303 05	hub cap 61M silver	-96	4	M 338/M 408
						(2)	993 361 303 11	hub cap 61M silver	97	4	M 338/M 408
						(2)	993 361 303 11	hub cap 9A1 silver	98-	4	M 338/M 408
						(2)	993 361 303 03	hub cap 61M silver		4	M 491

Model	Year	MG	SG	Illustration	Restrictions	Update	17:43	23.08.2006	PORSCHE	PET	PORSCHE
993	98	6	01	601-00		203					

Pos	Part Number	Name	Remarks	Qty	Model	Pos	Part Number	Name	Remarks	Qty	Model
(2)	993 361 303 07	hub cap emblem coloured	-96	4	M 445	6	901 361 414 50	balance stick-on weight 45 G		X	
(2)	993 361 303 07	hub cap	97-	4	M 445	6	901 361 414 00	balance stick-on weight 50 G		X	
	61M	silver emblem coloured				6	901 361 415 50	balance stick-on weight 55 G		X	
(2)	993 361 303 07	hub cap	97-	4	M 445/495	6	901 361 415 00	balance stick-on weight 60 G		X	
	61W	steel grey emblem coloured				6	901 361 416 50	balance stick-on weight 65 G		X	
(2) A	993 361 303 09	hub cap	-99	4	M 446	6	901 361 416 00	balance stick-on weight 70 G		X	
	92T	arctic silver metallic emblem coloured				6	901 361 417 50	balance stick-on weight 75 G		X	
3	900 265 001 50	rubber valve		4		6	901 361 417 00	balance stick-on weight 80 G		X	
(3)	993 361 073 00	valve		4	TURBO	7	965 362 030 00	emergency wheel with collapsible tire		1	
		steel		4	M 408						
4	999 182 003 36	wheel nut		16				mount for emergency wheel			
5	993 361 057 00	wheel nut anti-theft protection 1 set		1		-	900 074 059 02	hexagon-head bolt M 10 X 40		1	
6	901 361 410 50	balance stick-on weight 5 G		X		-	477 813 157	washer		1	
6	901 361 410 00	balance stick-on weight 10 G		X		8	996 652 053 00	compressor		1	
6	901 361 411 50	balance stick-on weight 15 G		X		9	911 722 201 02	tyre pressure gauge		1	
6	901 361 411 00	balance weight 20 G		X				- - - E N D - - -			
6	901 361 412 50	balance stick-on weight 25 G		X							
6	901 361 412 00	balance stick-on weight 30 G		X							
6	901 361 413 50	balance stick-on weight 35 G		X							
6	901 361 413 00	balance stick-on weight 40 G		X							

Model	Year	MG	SG	Illustration	Restrictions	Update	17:43	23.08.2006	PORSCHE	PET	PORSCHE
993	98	6	02	602-00		203					

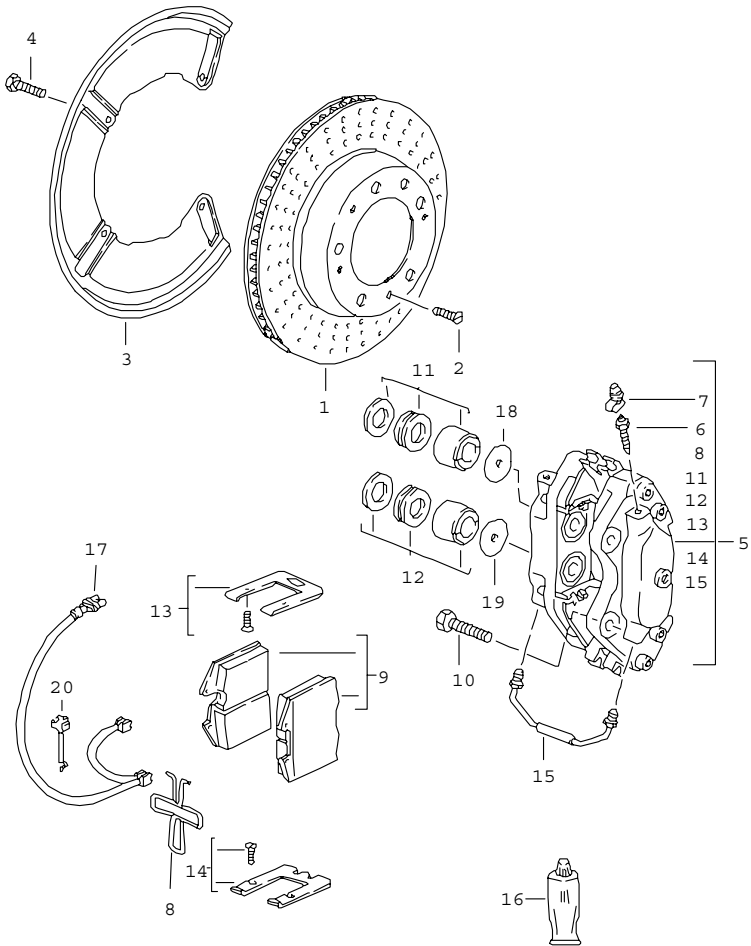


Pos	Part Number	Name	Remarks	Qty	Model
		disc brake front axle			
1	993 351 043 01	brake disc	/L	1	
1	993 351 045 00	brake disc	/L	1	CARRERA RS
1	993 351 045 10	brake disc	/L 96-	1	TURBO
				1	M 491
1	993 351 044 01	brake disc	/R	1	
1	993 351 046 00	brake disc	/R	1	CARRERA RS
1	993 351 046 10	brake disc	/R 96-	1	TURBO
				1	M 491
2	900 269 047 09	countersunk-head screw M 6 X 12		8	
3	964 351 803 04	protective plate	/L	1	
3	993 351 803 80	protective plate	/L	1	CARRERA RS
(3)	964 351 804 04	protective plate	/R	1	
3	993 351 804 80	protective plate	/R	1	CARRERA RS
4	900 075 456 09	hexagon-head bolt M 6 X 12 Z1		6	
5	993 351 421 00	fixed calliper without pad	/L	1	
(5)	993 351 421 20	fixed calliper without pad	/L 95- /L 96-	1	M 339
				1	M 339, M 493
5	993 351 425 10	fixed calliper without pad	/L 96- /L	1	TURBO
				1	M 491
				1	CARRERA RS
5	993 351 422 00	fixed calliper without pad	/R	1	
(5)	993 351 422 20	fixed calliper without pad	/R 95- /R 96-	1	M 339
				1	M 339, M 493
5	993 351 426 10	fixed calliper without pad	/R 96- /R	1	TURBO
				1	M 491
				1	CARRERA RS
6	930 351 919 00	ventilation valve		4	
7	930 351 927 00	dust boot		4	

Model	Year	MG	SG	Illustration	Restrictions	Update	17:43	23.08.2006	PORSCHE	PET	PORSCHE
993	98	6	02	602-00		203					

Pos	Part Number	Name	Remarks	Qty	Model	Pos	Part Number	Name	Remarks	Qty	Model
8	928 351 950 01	expanding spring		2		17	993 612 368 00	warning contact		2	TURBO
9	993 351 939 01	set of brake pads		1	CAR.2					2	M 491
9	993 351 939 01	set of brake pads	95 96-	1	M 339 M 339,M 493	-	944 612 627 00	support		2	
9	993 351 949 00	set of brake pads		1	TURBO	18	000 043 117 00	brake cylinder paste 1 50-g tube		X	
9	993 351 949 00	set of brake pads	96-	1	CARRERA RS M 339,M 491	18	000 043 020 00	optimoly 1 tube 100 g		X	
10	928 351 919 10	set of seals 44 MM \$		4		19	965 351 096 00	damping plate 44 MM \$		4	
11	951 351 919 10	repair kit 36 MM \$		4		19	965 351 096 00	damping plate 44 MM \$	96-	4	TURBO
12	993 351 959 01	repair kit spring plate		2		20	964 351 096 01	damping plate 36 MM \$		4	CARRERA RS
12	993 351 959 03	repair kit spring plate		2	TURBO CARRERA RS M 491	20	964 351 096 01	damping plate 36 MM \$	96-	4	TURBO
13	993 351 959 00	repair kit spring plate		2						4	CARRERA RS
13	993 351 959 02	repair kit spring plate		2	TURBO CARRERA RS M 491					4	M 339,M 491
14	928 351 971 00	connecting line		2		21	928 612 361 00	cable holder		2	
14	928 351 971 01	connecting line		2	TURBO CARRERA RS M 491			- - - E N D - - -			
15	900 067 292 09	pan-head screw M 12 X 1,5 X 75	94	4							
15	900 031 002 09	washer B 12	94	4							
15	999 067 041 09	pan-head screw M 12 X 1,5 X 72	95- 96-	4	M 493						
15	999 067 042 09	pan-head screw M 12 X 1,5 X 77	96-	4	TURBO CARRERA RS M 339,M 491						
17	964 612 363 01	warning contact		2							

Model	Year	MG	SG	Illustration	Restrictions	Update	17:44	23.08.2006	PORSCHE	PET	PORSCHE
993	98	6	03	603-00		203					

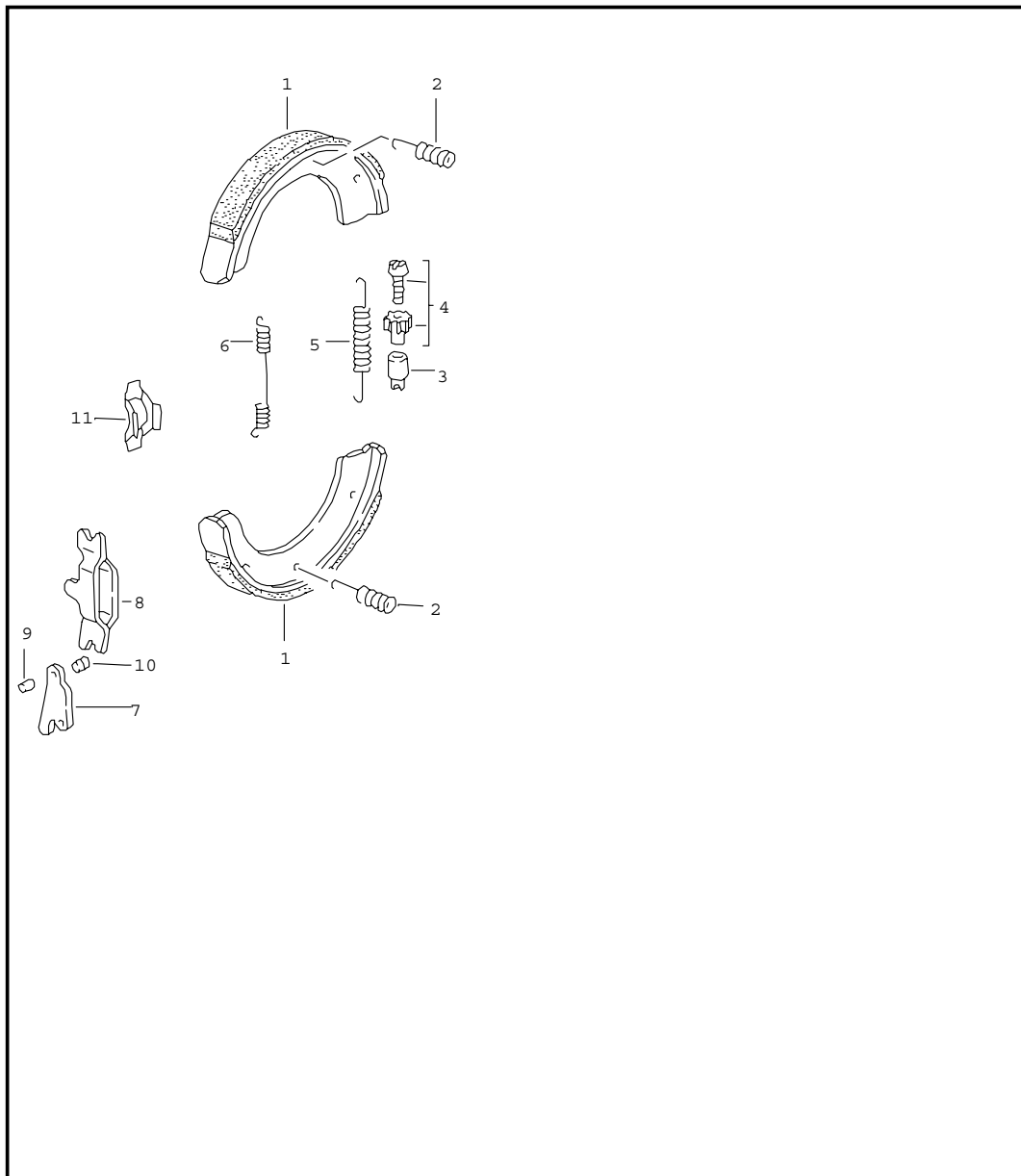


Pos	Part Number	Name	Remarks	Qty	Model
1	993 352 041 02	disc brake rear axle		2	
		brake disc	96-	2	M 339,M 493
1	993 352 045 00	brake disc	/L	1	TURBO
			/L	1	CARRERA RS
			/L 96-	1	M 339,M 491
1	993 352 046 00	brake disc	/R	1	TURBO
			/R	1	CARRERA RS
			/R 96-	1	M 339,M491
2	900 269 047 09	countersunk-head screw AM 6 X 12		4	
3	993 352 801 01	protective plate	94	2	
3	993 352 801 02	protective plate	95-	2	
4	900 075 456 09	hexagon-head bolt M 6 X 12 Z1		8	
5	993 352 421 00	fixed calliper without pad	/L	1	
5	993 352 421 21	fixed calliper without pad	/L 95- /L 96	1 1	M 339 M 339,M 493
5	993 352 425 80	fixed calliper without pad	/L	1	CARRERA RS
5	993 352 425 10	fixed calliper without pad	/L 96- /L	1 1	TURBO M 339,M 491
5	993 352 422 00	fixed calliper without pad	/R	1	
5	993 352 422 21	fixed calliper without pad	/R 95- /R 96-	1 1	M 339 M 339,M 493
5	993 352 426 80	fixed calliper without pad	/R	1	CARRERA RS
5	993 352 426 10	fixed calliper without pad	/R 96- /R	1 1	TURBO M 339,M 491
6	930 351 919 00	ventilation valve		2	
7	930 351 927 00	dust boot		2	
8	951 352 950 00	expanding spring		2	

Model	Year	MG	SG	Illustration	Restrictions	Update	17:44	23.08.2006	PORSCHE	PET	PORSCHE
993	98	6	03	603-00		203					

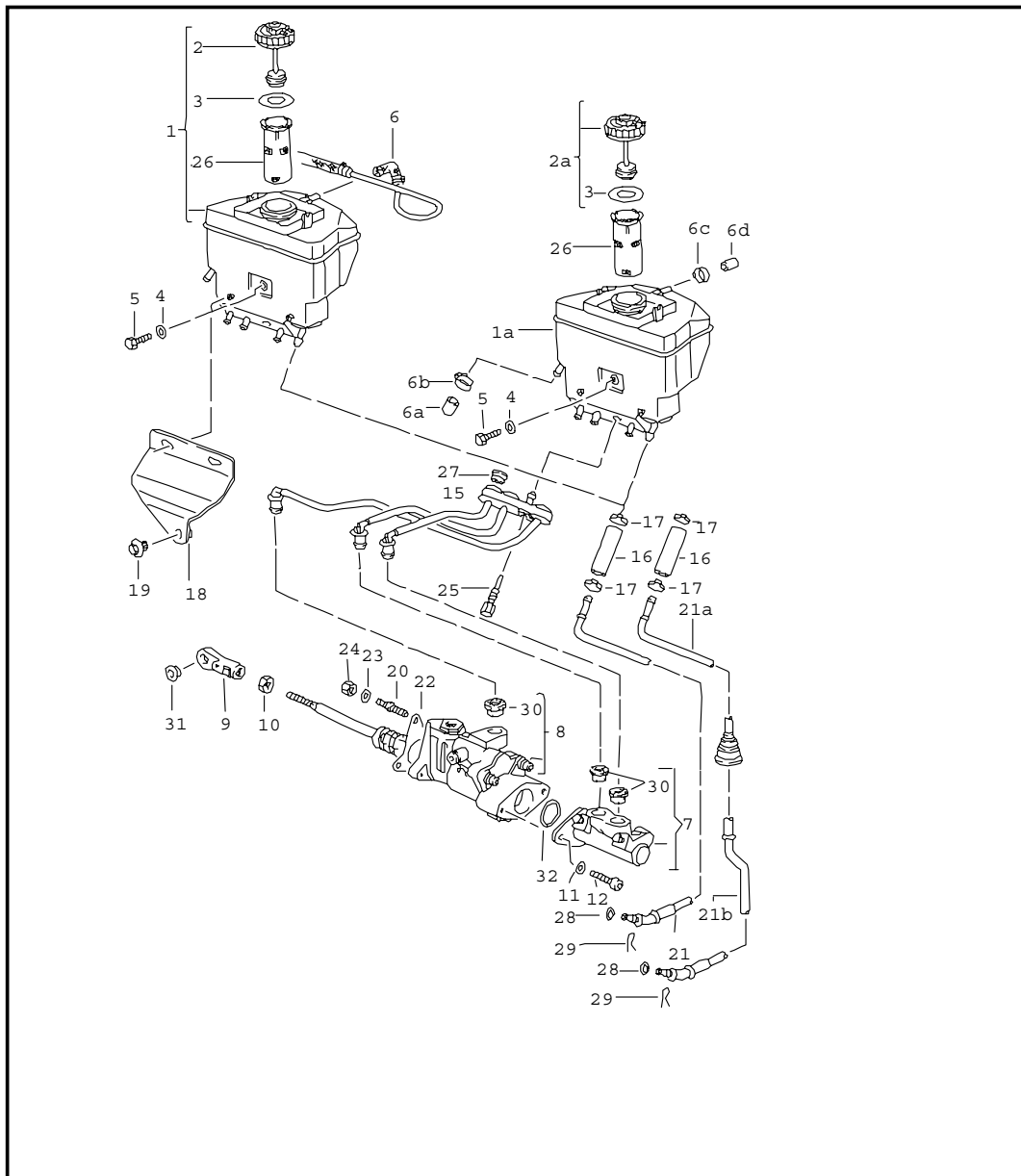
Pos	Part Number	Name	Remarks	Qty	Model	Pos	Part Number	Name	Remarks	Qty	Model
9	965 352 939 04	set of brake pads	96-	1	M 339,M 493	18	964 352 096 00	damping plate 30 MM \$	95-	4	M 339
9	993 351 939 01	set of brake pads	96-	1	TURBO	18	964 352 096 00	DAEMPFU>GSBLECH 30 MM \$		4	CARRERA RS
				1	CARRERA RS						
				1	M 339,M 491						
10	A 900 378 054 09	hexagon-head bolt M 12 X 1,5 X 35		4		19	964 352 096 00	damping plate 30 MM \$		4	
10	900 378 068 09	hexagon-head bolt M 12 X 1,5 X 38		4		19	964 351 096 01	damping plate 36 MM \$		4	CARRERA RS
11	965 352 919 10	set of seals 34 MM \$		4		19	964 352 096 01	damping plate 28 MM \$	95-	4	M 339
12	951 352 919 11	set of seals 30 MM \$		4		19	964 352 096 01	damping plate 28 MM \$	96-	8	TURBO
-	951 352 919 10	set of seals 28 MM \$		4	TURBO					8	M 491
-	951 351 919 10	set of seals 36 MM \$		2	CARRERA RS	20	928 612 361 00	cable holder		2	
13	993 352 959 00	repair kit spring plate upper		2				- - - E N D - - -			
14	993 352 959 01	repair kit spring plate lower		2							
13	964 351 959 00	repair kit spring plate upper		2	CARRERA RS						
14	964 351 959 01	repair kit spring plate lower		2	CARRERA RS						
15	951 352 971 00	connecting line		2							
15	993 352 971 00	connecting line	96-	2	TURBO						
				2	M 339,M 491						
				2	CARRERA RS						
16	000 043 117 00	brake cylinder paste 1 50-g tube		X							
17	993 612 365 01	warning contact		2							
-	944 612 627 00	support		2							
18	965 352 096 01	damping plate 34 MM \$		4							

Model	Year	MG	SG	Illustration	Restrictions	Update	17:44	23.08.2006	PORSCHE	PET	PORSCHE
993	98	6	03	603-05		203					



Pos	Part Number	Name	Remarks	Qty	Model
		handbrake			
1	928 352 097 10	repair kit		4	
2	928 352 957 02	compression spring		4	
3	911 352 944 00	bush		2	
4	911 352 098 00	adjusting screw		2	
5	951 352 454 00	return spring		2	
6	901 352 932 10	return spring		2	
7	928 352 441 01	actuating lever		2	
8	928 352 443 01	clip		2	
9	928 352 445 00	bolt		2	
10	928 352 447 00	bolt		2	
11	993 352 807 00	supporting plate		2	
		- - - E N D - - -			

Model	Year	MG	SG	Illustration	Restrictions	Update	17:44	23.08.2006	PORSCHE	PET	PORSCHE
993	98	6	04	604-00		203					

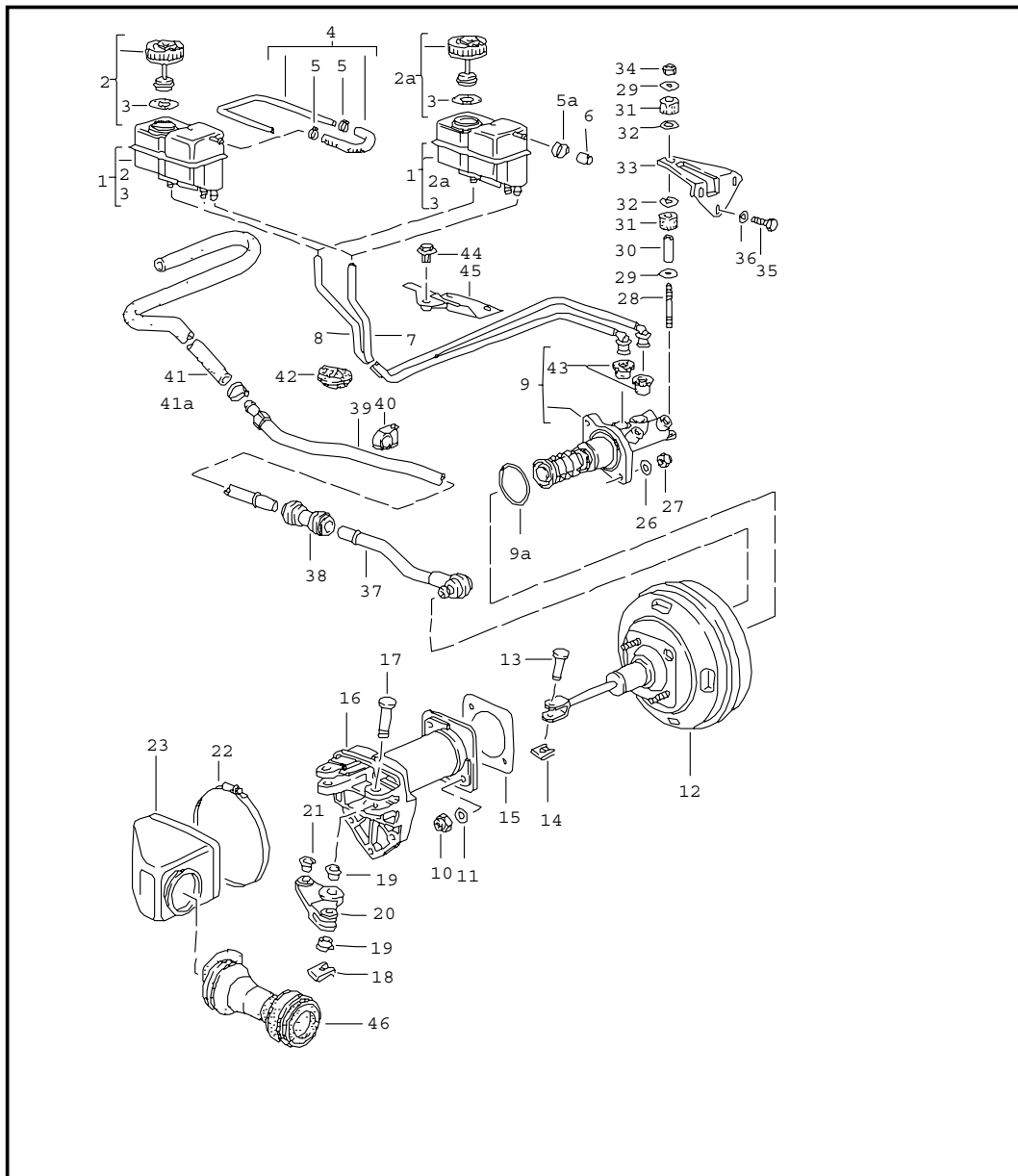


Pos	Part Number	Name	Remarks	Qty	Model
		brake fluid reservoir brake master cylinder brake booster	95-		M 339 CARRERA RS TURBO
		see technical information GR.4 NR16/95	-96		
1	A 964 355 013 50	brake fluid reservoir		1	
1	A 964 355 013 25	brake fluid reservoir		1	TURBO
1AA	964 355 113 51	container		1	
1A	993 355 113 50	brake fluid reservoir		1	
2	A 964 355 181 51	threaded cover		1	
2A	993 355 181 50	threaded cover with bleeding		1	
3	911 355 908 00	gasket		1	
4	N 011 666 7	washer		1	
5	N 010 212 14	hexagon-head bolt		1	
6	A 964 355 363 51	overflow hose	/LL	1	
6	A 964 355 364 51	overflow hose	/RL	1	
6A	911 355 327 00	cap		1	TURBO
6B	999 512 055 02	hose clamp		1	TURBO
6C	999 512 069 02	hose clamp		X	
6D	993 355 331 00	cap		X	
7	993 355 903 00	brake master cylinder		1	
8	964 355 904 01	brake booster		1	
8	964 355 904 80	brake booster		1	CARRERA RS
9	964 355 513 04	swivel head		1	
10	900 157 002 02	hexagon nut		1	
11	900 025 007 02	washer		2	
12	900 067 019 02	pan-head screw		2	
15	993 355 121 50	harness	/LL	1	
(15)	965 355 121 50	harness	/LL	1	CARRERA RS

Model	Year	MG	SG	Illustration	Restrictions	Update	17:44	23.08.2006	PORSCHE	PET	PORSCHE
993	98	6	04	604-00		203					

Pos	Part Number	Name	Remarks	Qty	Model	Pos	Part Number	Name	Remarks	Qty	Model
(15)	993 355 122 50	harness	/RL	1							
(15)	993 355 122 50	harness	/RL	1	CARRERA RS						
16	999 181 021 50	hose 60 MM		1							
17	999 512 532 00	clamp		2							
18	964 355 423 00	cover	/LL	1							
18	964 355 424 00	cover	/RL	1							
19	999 703 236 40	fastening screw		1							
20	999 061 092 02	stud		3							
21	993 355 227 00	intake pipe	/LL	1							
21A	993 355 226 01	intake pipe	/RL	1							
21B	993 355 228 01	intake pipe	/RL	1							
22	964 355 851 00	gasket		1							
24	900 380 005 09	lock nut VM 8		3							
25	999 217 086 02	hexagon-head bolt		1							
26	964 355 187 01	bush		1							
27	999 702 164 50	rubber bush		3							
28	999 707 075 40	o-ring		1							
29	999 021 003 00	lock		1							
30	993 355 922 01	plug		3							
31	999 924 003 40	bush		1							
32	964 355 909 01	gasket		1							
		- - - E N D - - -									

Model	Year	MG	SG	Illustration	Restrictions	Update	17:44	23.08.2006	PORSCHE	PET	PORSCHE
993	98	6	04	604-01		203					

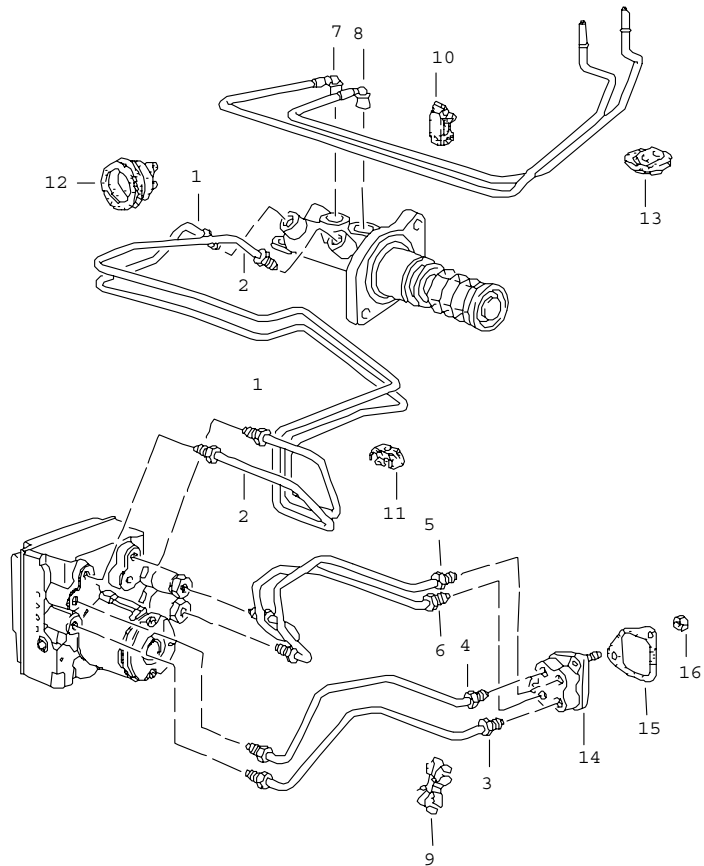


Pos	Part Number	Name	Remarks	Qty	Model
		brake fluid reservoir brake master cylinder			
		see technical information GR.4 NR16/95	-96		
1	A 993 355 017 00	brake fluid reservoir	-96	1	
1A	993 355 017 01	brake fluid reservoir	-96	1	
1A	993 355 017 02	brake fluid reservoir	97-	1	
2	A 964 355 351 00	threaded cover		1	
2A	993 355 351 00	threaded cover with bleeding		1	
3	911 355 908 00	gasket		1	
4	A 964 355 363 00	breather hose	/LL	1	
(4)	A 964 355 364 00	breather hose	/RL	1	
5	U 999 512 527 00	clamp		2	
5A	999 512 069 02	hose clamp		X	
6	993 355 331 00	cap		X	
7	993 355 285 01	line	/LL	1	
(7)	993 355 282 02	line	/RL	1	
8	993 355 283 01	line	/LL	1	
(8)	993 355 286 02	line	/RL	1	
9	993 355 910 00	brake master cylinder		1	
9A	993 355 212 00	gasket		1	
10	999 084 425 02	lock nut M 8		2	
11	900 025 007 02	washer A 8,4 X 17 X 1,6		2	
12	993 355 023 10	brake booster		1	
13	999 088 016 02	bolt		2	
14	999 166 076 02	safety clip		2	
15	993 355 301 00	gasket		1	
16	993 355 495 01	bearing bracket	/LL	1	

Model	Year	MG	SG	Illustration	Restrictions	Update	17:44	23.08.2006	PORSCHE	PET	PORSCHE
993	98	6	04	604-01		203					

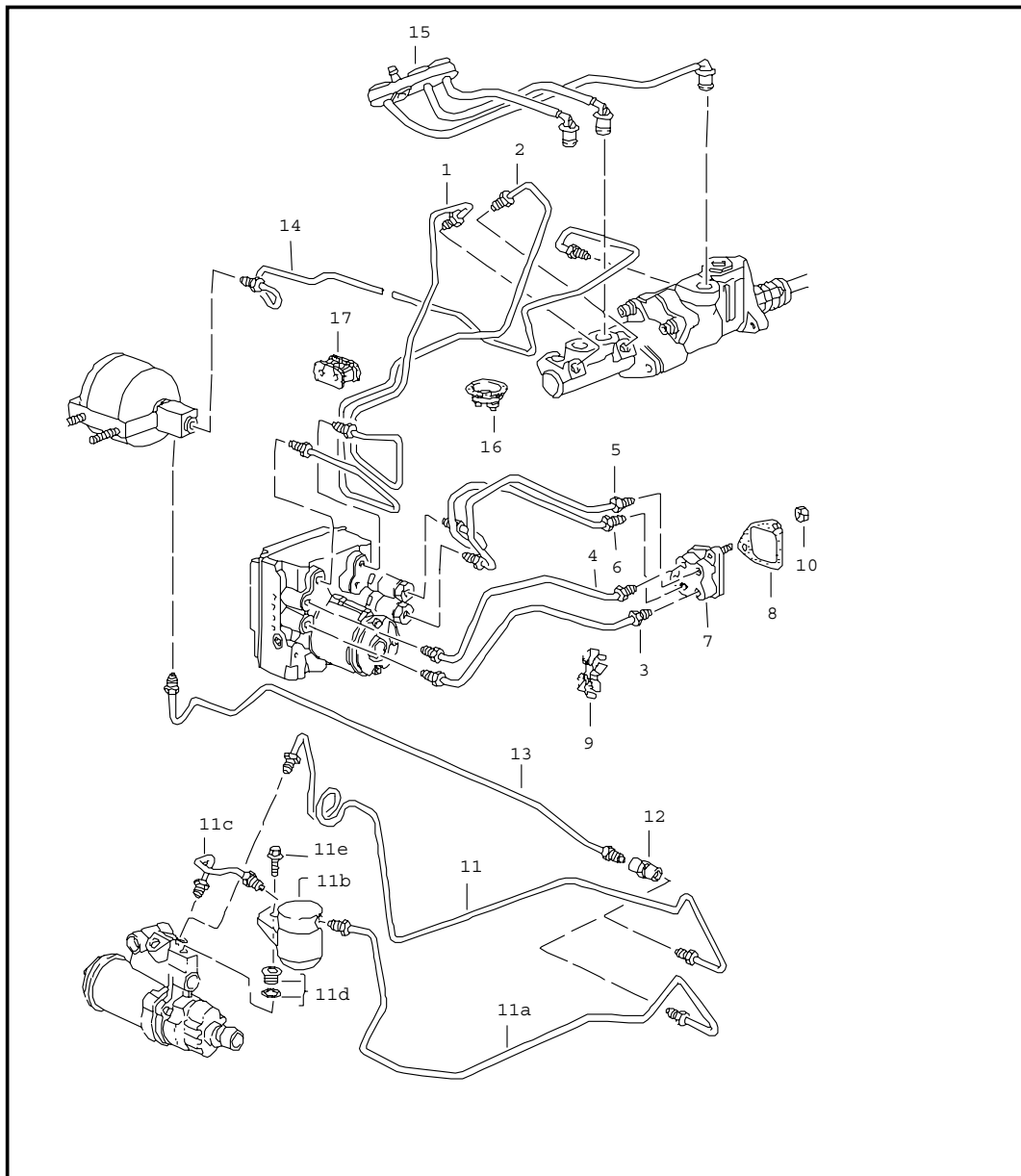
Pos	Part Number	Name	Remarks	Qty	Model	Pos	Part Number	Name	Remarks	Qty	Model
16	993 355 496 01	bearing bracket	/RL	1		42	964 355 819 01	rubber sleeve		1	
17	999 088 020 02	bolt		1		43	993 355 922 00	grommet		2	
-	900 378 055 09	hexagon-head bolt m 8 x 40		3		44	999 703 236 40	fastening screw		1	
18	999 166 077 02	safety clip		1		(45)	964 355 448 00	cover	/RL	1	
19	999 924 057 00	bush 12 X 7 X 14		2		45	964 355 447 00	cover	/LL	1	
20	993 355 471 01	reverse lever		1		46	964 355 397 03	bellows		1	
21	999 924 058 00	bush		1				- - - E N D - - -			
22	N 024 521 1	hose clamp		1							
23	993 355 329 00	cap		1							
26	900 025 007 02	washer		2							
27	N 021 129 2	lock nut		2							
28	999 062 032 02	stud		1							
29	N 011 670 6	washer		2							
30	964 355 483 00	sleeve		1							
31	964 355 485 00	damping piece		2							
32	999 025 903 00	washer		2							
33	993 355 163 03	support	/LL	1							
33	993 355 164 03	support	/RL	1							
34	N 021 129 2	lock nut		1							
35	N 010 240 11	hexagon-head bolt		3							
36	N 011 525 8	washer		3							
37	993 355 577 01	vacuum line	/LL	1							
(37)	993 355 578 01	vacuum line	/RL	1							
38	999 137 084 40	intermediate piece		1							
39	993 355 571 02	vacuum line		1							
40	999 591 964 40	support		X							
41	993 355 679 02	vacuum hose		1							
41A	999 511 177 02	clamp		X							

Model	Year	MG	SG	Illustration	Restrictions	Update	17:45	23.08.2006	PORSCHE	PET	PORSCHE
993	98	6	04	604-08		203					



Pos	Part Number	Name	Remarks	Qty	Model
		brake lines body front section			M 224
1	993 355 311 26	pressure line rear axle	/LL	1	M 224
(1)	993 355 310 27	pressure line rear axle	/RL	1	M 224
2	993 355 313 26	pressure line front axle	/LL	1	M 224
(2)	993 355 314 27	pressure line front axle	/RL	1	M 224
3	993 355 327 01	brake line front	/L	1	
4	993 355 326 00	brake line front	/R	1	
5	993 355 315 00	brake line rear	/L	1	
6	993 355 316 01	brake line rear	/R	1	
7	993 355 283 01	line	/LL	1	M 224
(7)	993 355 282 02	line	/RL	1	M 224
8	993 355 285 01	line	/LL	1	M 224
(8)	993 355 286 02	line	/RL	1	M 224
9	999 507 421 40	support		1	
10	999 507 396 40	support		1	M 224
11	999 591 880 40	support		1	
12	993 355 821 00	rubber sleeve		1	
13	964 355 819 01	rubber sleeve		1	M 224
14	993 355 650 25	intermediate piece		1	
15	993 355 752 00	gasket		1	
16	900 377 010 09	hexagon nut M 6		2	
- - - E N D - - -					

Model	Year	MG	SG	Illustration	Restrictions	Update	17:45	23.08.2006	PORSCHE	PET	PORSCHE
993	98	6	04	604-09		203					

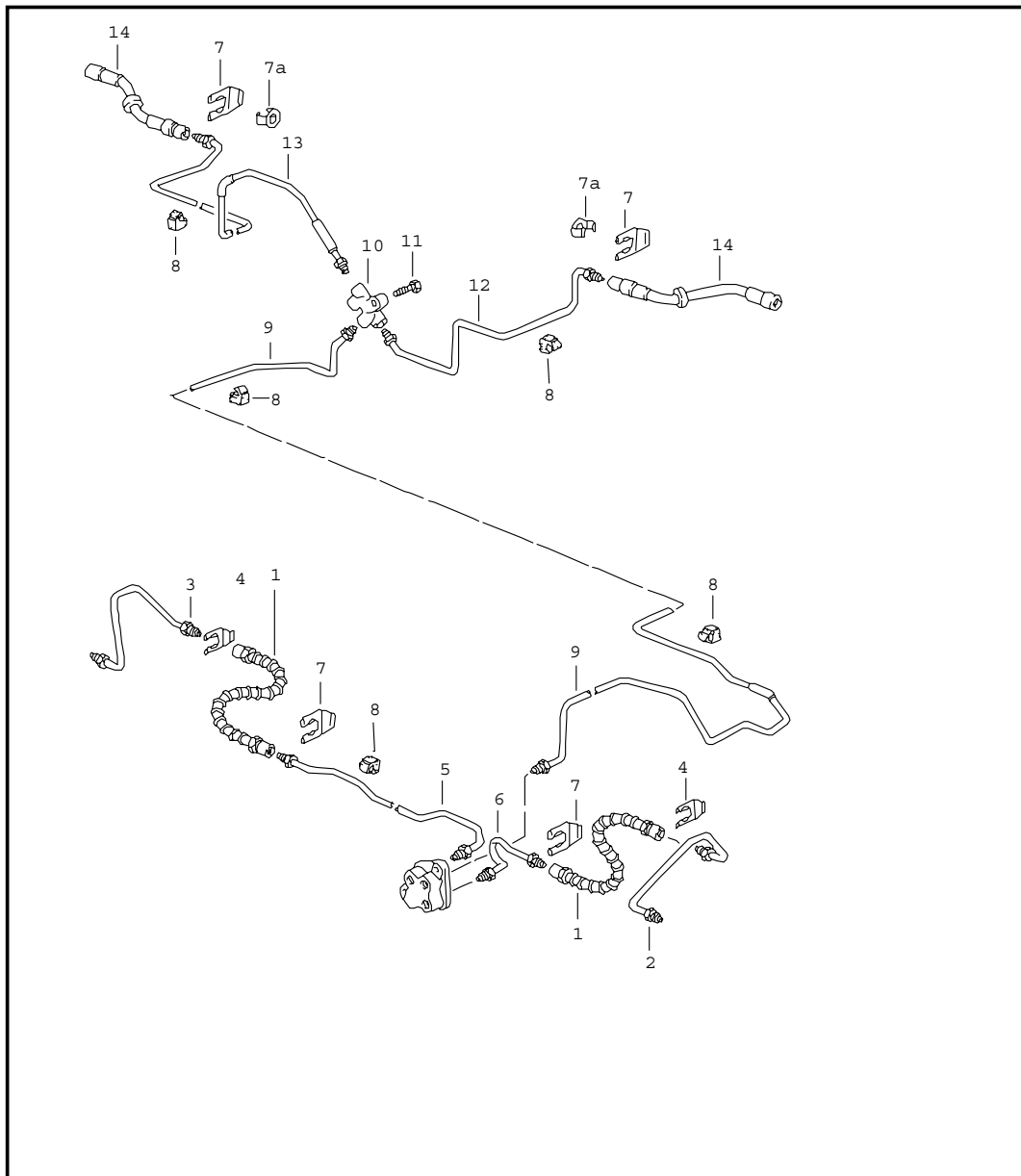


Pos	Part Number	Name	Remarks	Qty	Model
		brake lines body front section	95-		M 339 TURBO CARRERA RS
1	993 355 311 50	pressure line rear axle	/LL	1	
(1)	993 355 310 50	pressure line rear axle	/RL	1	
2	993 355 313 50	pressure line front axle	/LL	1	
(2)	993 355 314 50	pressure line front axle	/RL	1	
3	993 355 327 01	pressure line front	/L	1	
4	993 355 326 00	pressure line front	/R	1	
5	993 355 315 00	pressure line rear	/L	1	
6	993 355 316 01	pressure line rear	/R	1	
7	993 355 650 25	intermediate piece		1	
8	993 355 752 00	gasket		1	
9	999 507 421 40	support		1	
10	900 377 010 09	hexagon nut M 6		2	
11	993 355 249 01	pressure line		1	
11AA	993 355 249 03	pressure line	96-	1	TURBO M 491
11A	993 355 249 04	pressure line	96-	1	TURBO M 491
11BA	993 355 123 01	pressure damper	96-	1	TURBO M 491
11B	993 355 123 03	damper	96-	1	TURBO M 491
11CA	993 355 247 01	pressure line	96-	1	TURBO M 491
11C	993 355 247 02	pressure line	96-	1	TURBO M 491

Model	Year	MG	SG	Illustration	Restrictions	Update	17:45	23.08.2006	PORSCHE	PET	PORSCHE
993	98	6	04	604-09		203					

Pos	Part Number	Name	Remarks	Qty	Model	Pos	Part Number	Name	Remarks	Qty	Model
11D	993 355 954 00	repair kit	96-	1	TURBO						
		see technical information GR.4 NR4/95		1	M 491						
11E	900 378 158 09	hexagon-head bolt	96-	1	TURBO						
		M 6 X 16		1	M 491						
12	914 355 661 00	intermediate piece		1							
13	993 355 251 00	pressure line	-96	1							
13	993 355 251 01	pressure line	97-	1							
14	993 355 171 00	pressure line	/LL	1							
(14)	993 355 172 00	pressure line	/RL	1							
15	993 355 121 50	harness	/LL	1							
(15)	965 355 121 50	harness	/LL	1	CARRERA RS						
(15)	993 355 122 50	harness	/RL	1							
(15)	993 355 122 50	harness	/RL	1	CARRERA RS						
16	993 355 821 00	grommet		1							
17	993 355 568 00	rubber mounting	/LL	1							
-	993 355 545 01	support		1							
(17)	993 355 575 00	rubber mounting	/RL	1							
		- - - E N D - - -									

Model	Year	MG	SG	Illustration	Restrictions	Update	17:45	23.08.2006	PORSCHE	PET	PORSCHE
993	98	6	04	604-10		203					

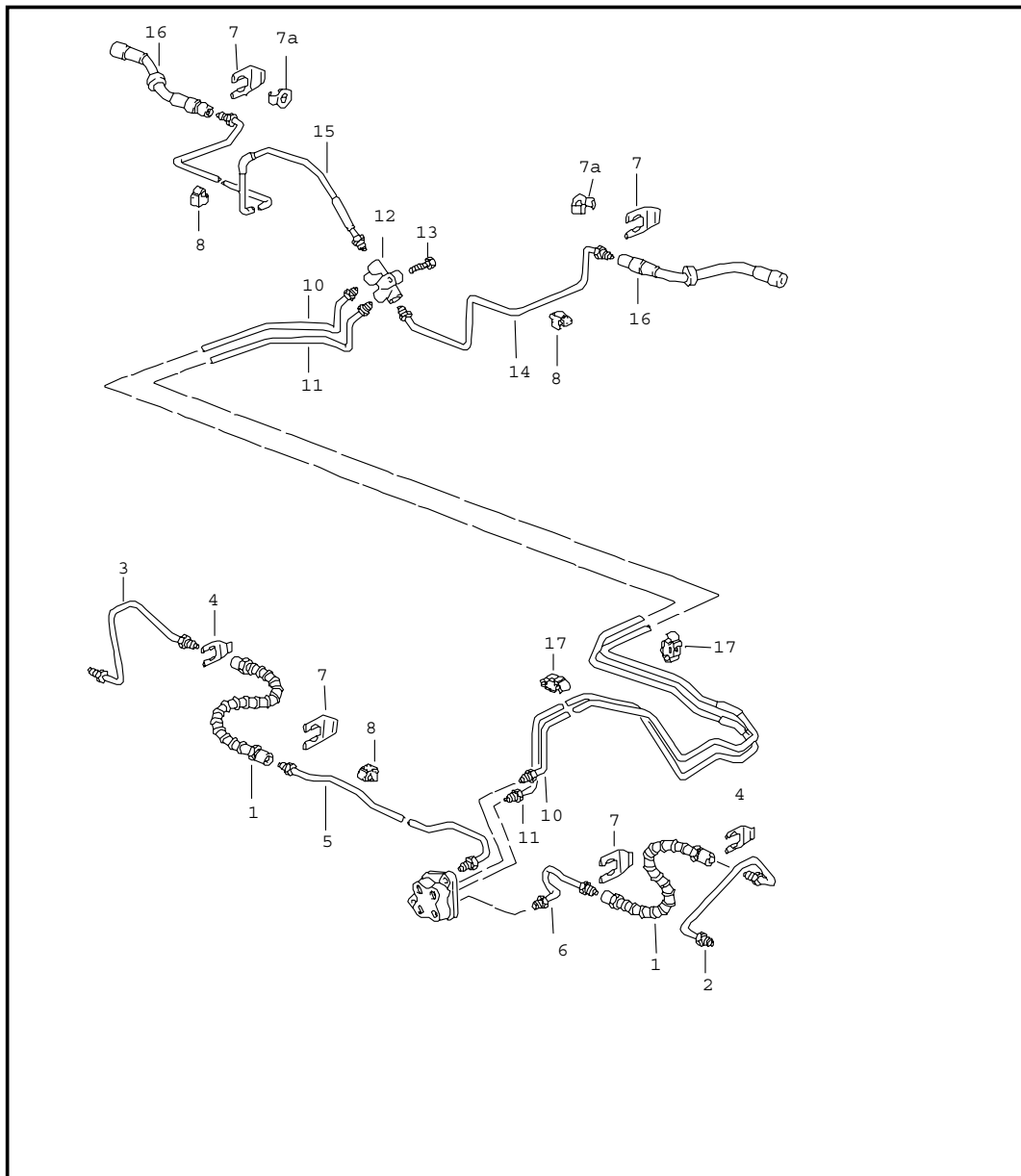


Pos	Part Number	Name	Remarks	Qty	Model
		brake lines front axle underbody rear axle			
1	993 355 139 00	brake hose		2	
2	993 355 581 01	brake line front	/L	1	
3	993 355 584 01	brake line front	/R	1	
4	999 166 071 01	support		2	
5	993 355 176 01	brake line front	/R	1	
6	964 355 175 11	brake line front	/L	1	
7	113 611 715 A	brake hose bracket	94	4	
7	113 611 715 A	brake hose bracket front	95-	2	
7AA	993 355 321 00	brake hose bracket rear	95-	X	
(7A)	955 355 321 00	brake hose bracket rear		X	
8	999 591 930 40	support		X	
9	993 355 179 02	brake line	/LL	1	
-	964 423 811 00	support for brake line clutch pipeline	95-	2	
(9) A	993 355 180 02	brake line	/RL	1	
(9)	993 355 180 03	brake line	/RL	1	
10	993 355 760 00	distributing piece		1	
11	900 378 013 09	hexagon-head bolt M 6 X 25		1	
12	993 355 189 01	brake line rear	/L 94	1	
12	993 355 189 02	brake line rear	/L 95-	1	
13	993 355 190 02	brake line rear	/R 94	1	

Model	Year	MG	SG	Illustration	Restrictions	Update	17:45	23.08.2006	PORSCHE	PET	PORSCHE
993	98	6	04	604-10		203					

Pos	Part Number	Name	Remarks	Qty	Model	Pos	Part Number	Name	Remarks	Qty	Model
13	993 355 190 03	brake line rear	/R 95-	1							
14	993 355 060 02	brake hose	/H 94	2							
14	993 355 129 00	brake hose	/H 95-	2							
		- - - E N D - - -									

Model	Year	MG	SG	Illustration	Restrictions	Update	17:45	23.08.2006	PORSCHE	PET	PORSCHE
993	98	6	04	604-12		203					

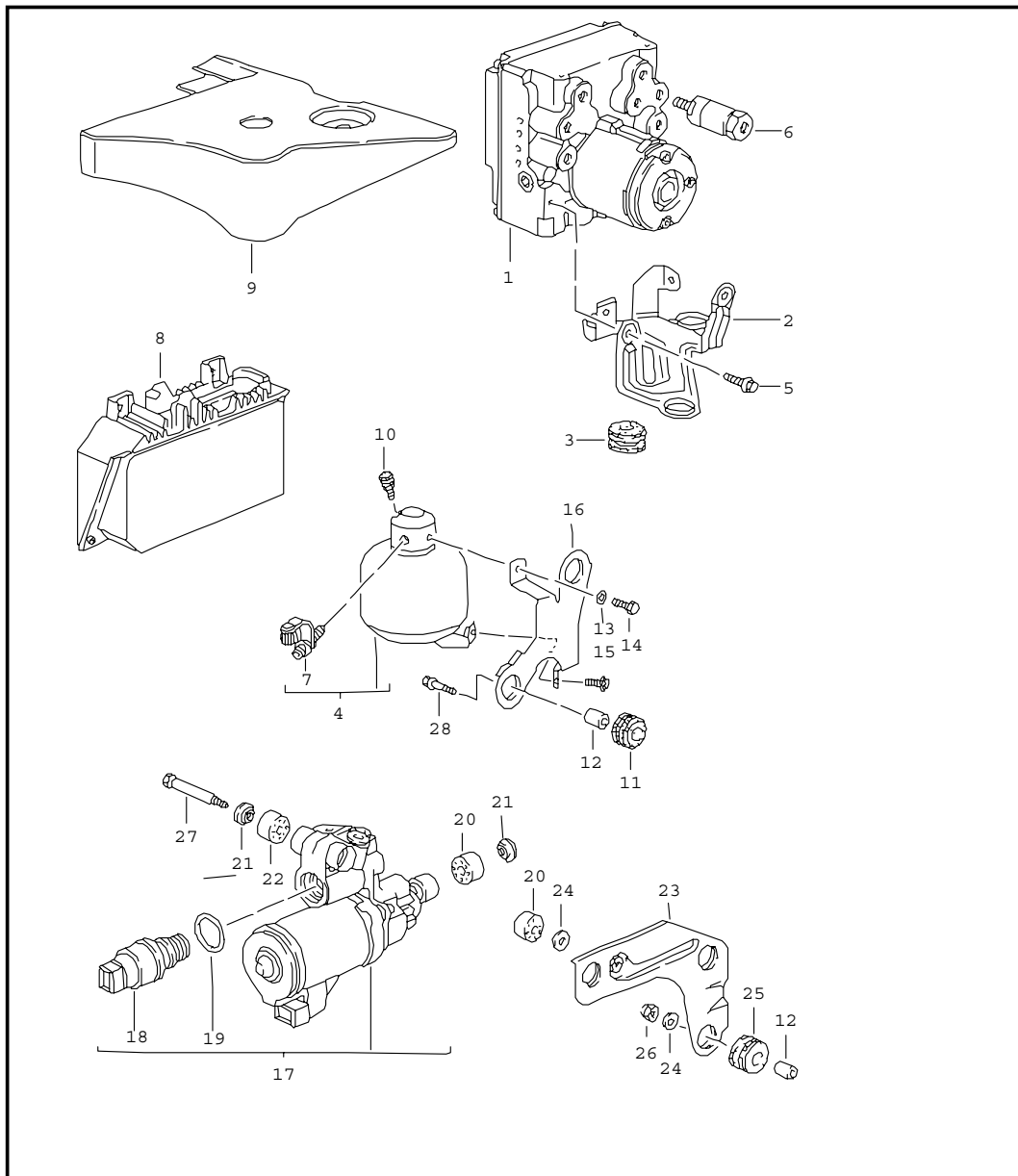


Pos	Part Number	Name	Remarks	Qty	Model
		brake lines front axle underbody	95-		M 224 M 339 TURBO CARRERA RS
1	993 355 139 00	brake hose		2	
2	993 355 581 01	brake line front	/L	1	
3	993 355 584 01	brake line front	/R	1	
4	999 166 071 01	support		2	
5	993 355 176 01	brake line front	/R	1	
6	964 355 175 11	brake line front	/L	1	
7	113 611 715 A	brake hose bracket front rear	94	X	
7	113 611 715 A	brake hose bracket front	95-	X	
7A	955 355 321 00	brake hose bracket rear	95-	X	
8	999 591 930 40	support		X	
10	993 355 177 02	brake line rear right	/LL	1	
10 A	993 355 178 02	brake line rear right	/RL	1	
10	993 355 178 03	brake line rear right	/RL	1	
11	993 355 179 02	brake line rear left	/LL	1	
11 A	993 355 180 02	brake line rear left	/RL	1	
11	993 355 180 03	brake line rear left	/RL	1	
12	993 355 760 25	distributing piece		1	

Model	Year	MG	SG	Illustration	Restrictions	Update	17:45	23.08.2006	PORSCHE	PET	PORSCHE
993	98	6	04	604-12		203					

Pos	Part Number	Name	Remarks	Qty	Model	Pos	Part Number	Name	Remarks	Qty	Model
13	900 378 013 09	hexagon-head bolt M 6 X 25		1							
14	993 355 189 01	brake line rear	/L 94	1							
(14)	993 355 189 02	brake line rear	/L 95-	1							
15	993 355 190 02	brake line rear	/R 94	1							
(15)	993 355 190 03	brake line rear	/R 95-	1							
16	993 355 060 02	brake hose	94	2							
(16)	993 355 129 00	brake hose	95-	2							
17	811 611 797	support	94	X							
(17)	964 423 811 00	support	95-	3							
		- - - E N D - - -									

Model	Year	MG	SG	Illustration	Restrictions	Update	17:46	23.08.2006	PORSCHE	PET	PORSCHE
993	98	6	05	605-00		203					



Pos	Part Number	Name	Remarks	Qty	Model
		hydraulic unit anti-lock brake system control see technical information GR.4 NR3/94			
1	993 355 955 00	hydraulic unit		1	
1	993 355 955 50	hydraulic unit		1	M 224
1	993 355 955 50	hydraulic unit	95-	1	M 224, M 339
2	993 355 533 02	support		1	
3	964 356 635 00	rubber mounting		3	
-	999 045 004 40	plastic nut		3	
4	993 355 109 03	pressure accumulator	95-	1	
5	N 010 219 2	hexagon-head bolt M 6 X 28	94	3	
(5)	900 378 036 09	hexagon-head bolt M 6 X 12	95-	3	M 224, M 339
6	993 355 305 01	regulator		1	
(6)	993 355 305 01	regulator		2	M 224
(6)	964 355 305 00	regulator	95-	2	M 224, M 339
(6)	964 355 305 10	regulator		2	TURBO
(6)	993 355 305 01	regulator	96-	2	M 339, M 491
7	964 355 893 00	valve		1	
8	A 993 618 125 00	control unit	94	1	
(8)	993 618 125 01	control unit	95-	1	
(8) U	993 355 126 00	control unit		1	M 224
(8)	993 618 126 00	control unit	94	1	M 224
(8)	993 618 127 00	control unit	95-	1	M 224
				1	M 339
				1	CARRERA RS
-	A 993 618 036 00	cover control unit		1	
-	996 618 038 00	cover control unit		1	
-	999 167 047 02	ball pin cover		4	

Model	Year	MG	SG	Illustration	Restrictions	Update	17:46	23.08.2006	PORSCHE	PET	PORSCHE
993	98	6	05	605-00		203					

Pos	Part Number	Name	Remarks	Qty	Model	Pos	Part Number	Name	Remarks	Qty	Model
9	993 355 203 00	cover		1		24	N 011 666 7	washer	95-	2	M 339
-	999 049 018 40	push button for cover		2				A 6,4		2	CARRERA RS
10	964 355 809 00	valve	95-	1		25	964 356 635 00	rubber mounting	95-	3	M 339
11	964 356 635 00	rubber mounting	95-	2						3	CARRERA RS
12	928 355 633 00	bush	95-	2		26	900 910 010 02	lock nut	95-	3	M 339
13	900 025 004 02	washer A 6	95-	1				VM 6		3	CARRERA RS
14	900 075 008 02	hexagon-head bolt M 6 X 8	95-	1		27	999 074 043 02	hexagon-head bolt	95-	1	M 339
15	900 378 036 09	hexagon-head bolt M 6 X 12	95-	1				M 6 X 65		1	CARRERA RS
16	993 355 451 01	support	95-	1		28	A 900 378 116 09	hexagon-head bolt M 6 X 30		2	
17	993 355 953 00	pump	95	1	M 339	28	900 378 014 09	hexagon-head bolt M 6 X 30		2	
				1	CARRERA RS	-	900 904 016 02	washer B 6,5		2	
17	993 355 953 01	pump	96-	1	M 339						
				1	CARRERA RS						
17	993 355 953 50	pump	96-	1	TURBO						
				1	M 491						
18	964 606 904 00	pressure switch	95-	1	M 339						
				1	CARRERA RS						
19	999 707 094 40	sealing ring	95-	1	M 339						
				1	CARRERA RS						
20	964 355 908 00	sleeve	95-	2	M 339						
				2	CARRERA RS						
20	964 355 908 50	sleeve	96-	2	TURBO						
				2	M 491						
21	999 025 202 02	washer	95-	1	M 339						
				1	CARRERA RS						
22	964 355 908 00	sleeve	95-	1	M 339						
				1	CARRERA RS						
22	964 355 908 50	sleeve	96-	1	TURBO						
				1	M 491						
23	964 355 465 00	support	95-	1	M 339						
				1	CARRERA RS						

- - - E N D - - -

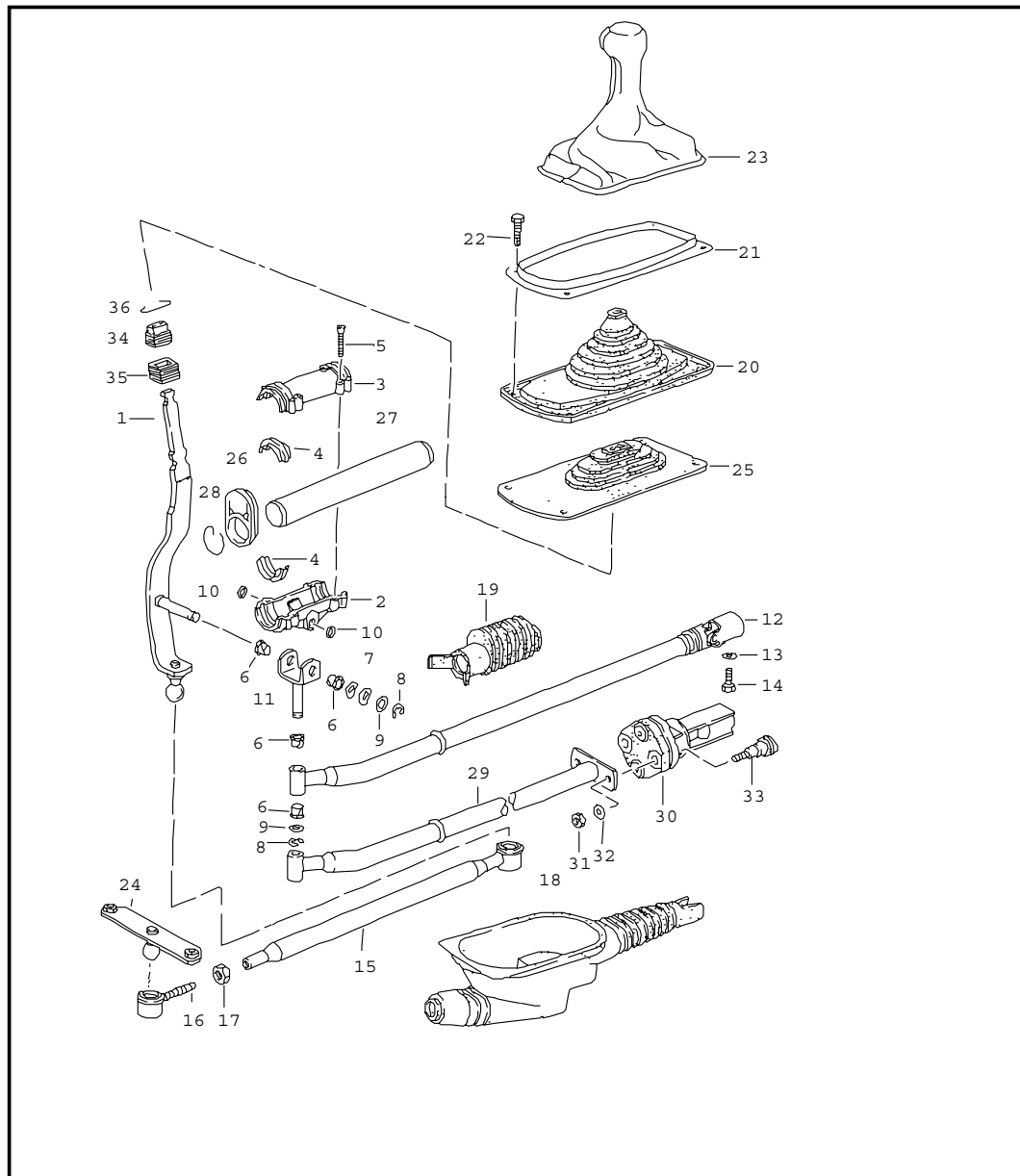
Model	Year	MG	SG	Illustration	Restrictions	Update	17:46	23.08.2006
993	98	6	98	698-00		203		

Pos	Part Number	Name	Remarks	Qty	Model
>>	> 993 351 939 01	repair kits set of brake pads comprising: brake pad use also: mounting parts	/V	1	
>>	> 993 351 949 00	set of brake pads comprising: brake pad use also: mounting parts	/V /V /V	1 1 1	TURBO CARRERA RS M 491
>>	> 928 351 919 10	repair kit comprising: piston boot inner boot outer \$44 MM	/V	X	
>>	> 951 351 919 10	repair kit comprising: piston boot inner boot outer \$36 MM	/V	X	
>>	> 993 351 959 01	repair kit comprising: spring plate screw lower	/V	X	
>>	> 993 351 959 03	repair kit comprising: spring plate screw lower	/V /V /V	X X X	TURBO CARRERA RS M 491
>>	> 993 351 959 00	repair kit comprising: spring plate screw upper	/V	X	
>>	> 993 351 959 02	repair kit comprising: spring plate screw upper	/V /V /V	X X X	TURBO CARRERA RS M 491

Model	Year	MG	SG	Illustration	Restrictions	Update	17:46	23.08.2006
993	98	6	98	698-00		203		

Pos	Part Number	Name	Remarks	Qty	Model
>>	> 965 352 939 04	set of brake pads	/H /H 96-	1 1	M 339,M 493
		comprising: brake pad use also: mounting parts			
>>	> 993 351 939 01	set of brake pads	/H /H /H 96-	1 1 1	TURBO CARRERA RS M 339,M 491
		comprising: brake pad use also: mounting parts			
>>	> 965 352 919 10	repair kit	/H	1	
		comprising: piston boot inner boot outer \$ 34 MM			
>>	> 951 352 919 11	repair kit	/H	1	
		comprising: piston boot inner boot outer \$ 30 MM			
>>	> 993 352 959 01	repair kit	/H	1	
		comprising: spring plate screw upper			
>>	> 993 352 959 00	repair kit	/H	1	
		comprising: spring plate screw lower			
		- - - E N D - - -			

Model	Year	MG	SG	Illustration	Restrictions	Update	17:46	23.08.2006	PORSCHE	PET	PORSCHE
993	98	7	01	701-00		203					



Pos	Part Number	Name	Remarks	Qty	Model
		transmission control			M 480
1	964 424 015 04	gearshift lever		1	
1	A 993 424 015 00	gearshift lever	95-	1	M 339
1	993 424 015 01	gearshift lever	95-	1	M 339
1	964 424 015 08	gearshift lever		1	CARRERA RS
2	964 424 104 05	slide		1	
3	964 424 103 05	slide		1	
4	964 424 115 00	insert		4	
5	900 067 148 02	pan-head screw		4	
6	999 924 002 40	plain bearing		2	
7	900 234 510 02	support washer		2	
8	N 012 439 2	lock washer		1	
9	N 012 231 4	spring washer		1	
10	999 701 012 50	o-ring		2	
11	964 424 017 00	fork		1	
11	964 424 017 01	fork		1	CARRERA RS
12	964 424 020 35	gear shift rod		1	CARRERA RS
13	N 011 654 2	washer		1	
14	999 074 042 02	fit bolt M 8 X 21,5		1	
14	999 074 023 02	fit bolt M 8 X 25,5	95-	1	M 339
(15)	964 424 011 31	guide tube		1	
(15)	964 424 011 01	guide tube	95-	1	M 339
16	928 424 005 01	angular joint		1	
17	N 011 010 6	hexagon nut M 10		1	
18	964 424 292 02	rubber sleeve		1	
19	964 424 294 05	rubber boot	94	1	
19	993 424 294 00	rubber boot	95-	1	
20	964 424 139 06	bellows	94	1	

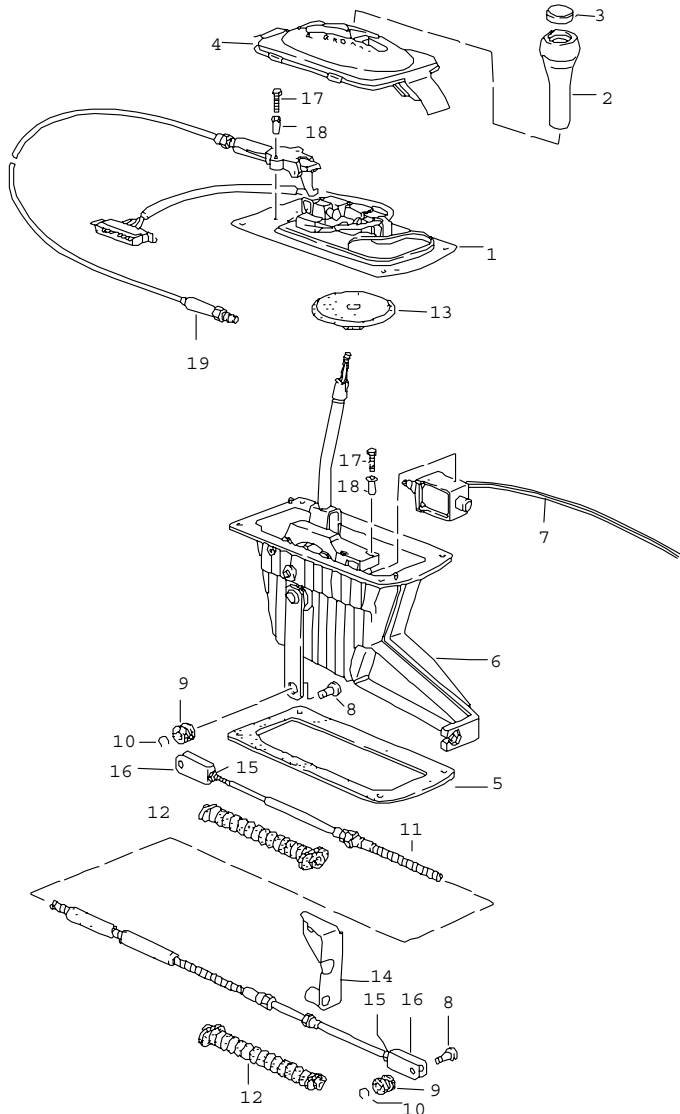
Model	Year	MG	SG	Illustration	Restrictions	Update	17:46	23.08.2006	PORSCHE	PET	PORSCHE
993	98	7	01	701-00		203					

Pos	Part Number	Name	Remarks	Qty	Model	Pos	Part Number	Name	Remarks	Qty	Model
20	993 424 139 00	bellows	95-	1			B50	space grey			
21	964 424 134 00	frame		1			E38	rubicon grey			
22	900 075 010 02	hexagon-head bolt M 6 X 12		4		23	993 424 075 30	gearshift knob		1	CARRERA RS
23	964 424 075 05	gearshift knob		1	M 338		8YR	black			
	8YR	black				23	993 424 075 01	gearshift knob		1	M 495
	6XL	classic grey					8YR	black			
	H24	midnight blue					6XL	classic grey			
	T15	chestnut brown					3QN	marble grey			(GB)
	3QN	marble grey					H24	midnight blue			
	4YU	cashmere beige					T15	chestnut brown			
	G43	provence blue					4YU	cashmere beige			
	K03	cedar green					E38	rubicon grey			
	8SE	flamenco red					J30	nephrite green			
	E38	rubicon grey					M30	boxster red			
	J30	nephrite green	97-				B50	space grey			
	M30	boxster red	97-			24	964 424 055 00	bearing plate		1	
	B50	space grey				26	964 424 028 00	bearing sleeve		2	
23	993 424 075 00	gearshift knob	95-	1	M 339	27	964 424 131 02	pipe		1	
	8YR	black				28	999 178 007 02	circlip		2	
	6XL	classic grey				29	993 424 020 30	gear shift rod	94	1	
	H24	midnight blue				29	993 424 020 00	gear shift rod	95-	1	
	T15	chestnut brown				30	950 424 028 01	bearing body	94	1	
	3QN	marble grey				30	993 424 028 00	bearing body	95-	1	
	4YU	cashmere beige				31	N 011 008 13	hexagon nut M 8		2	
	G43	provence blue				32	N 011 525 8	washer A 8,4		2	
	K03	cedar green				33	950 424 025 00	bolt		2	
	8SE	flamenco red				34	931 424 111 00	damper		1	
	J30	nephrite green	97-			35	931 424 110 00	damper		1	
	M30	boxster red	97-								

Model	Year	MG	SG	Illustration	Restrictions	Update					
993	98	7	01	701-00		203	17:46	23.08.2006	PORSCHE	PET	PORSCHE

Pos	Part Number	Name	Remarks	Qty	Model	Pos	Part Number	Name	Remarks	Qty	Model
36	993 424 299 00	clamp		1							
-	964 424 180 02	sound absorber between gearshift lever and central tube		1							
		- - - E N D - - -									

Model	Year	MG	SG	Illustration	Restrictions	Update	17:46	23.08.2006	PORSCHE	PET	PORSCHE
993	98	7	01	701-01		203					

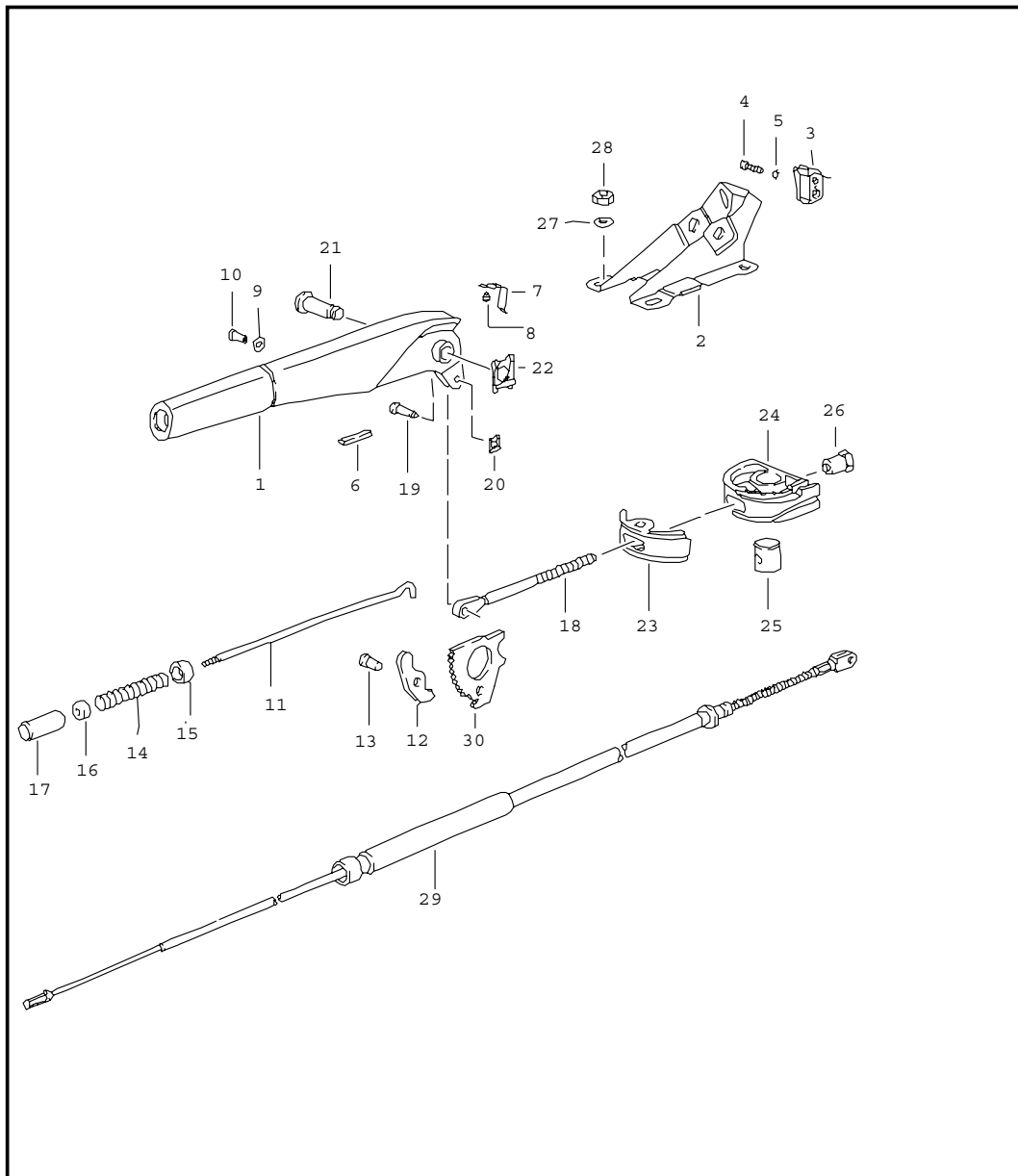


Pos	Part Number	Name	Remarks	Qty	Model
		selector lever TIPTRONIC			M 249
1	964 613 023 05	switch	-95	1	
(1)	993 613 023 00	switch	96-	1	
2	943 426 069 01	selector knob leather		1	
	8YR	black			
	6XL	classic grey			
	H24	midnight blue			
	T15	chestnut brown			
	3QN	marble grey			
	4YU	cashmere beige			
	G43	provence blue			
	K03	cedar green			
	8SE	flamenco red			
	E38	rubicon grey			
	J30	nephrite green			
	M30	boxster red			
	B50	space grey			
3	943 426 275 05	adjusting lever		1	
	01C	black			
3	943 426 275 06	adjusting lever	97-	1	M 495
	61W	steel grey			
4	964 552 169 00	shift gate		1	
	1DB	black			
5	943 426 129 03	gasket		1	
6	943 426 011 05	selector lever with housing	-95	1	
6	943 426 011 07	selector lever with housing	96-	1	

Model	Year	MG	SG	Illustration	Restrictions	Update	17:46	23.08.2006	PORSCHE	PET	PORSCHE
993	98	7	01	701-01		203					

Pos	Part Number	Name	Remarks	Qty	Model	Pos	Part Number	Name	Remarks	Qty	Model
7	928 624 170 00	solenoid	-95	1							
(7)	993 624 170 00	solenoid	96-	1							
8	943 426 149 00	bolt		2							
9	943 426 261 00	rubber mounting		2							
10	N 012 436 2	lock washer		2							
11	943 426 033 02	cable		1							
12	943 426 103 00	bellows		2							
13	999 704 159 40	washer		1							
14	993 426 021 01	support		1							
15	N 011 005 14	hexagon nut M 5		2							
16	943 426 047 00	clevis		2							
17	900 075 164 02	hexagon-head bolt		4							
18	900 121 033 01	tubular rivet		4							
19	943 426 073 01	cable		1							
		- - - E N D - - -									

Model	Year	MG	SG	Illustration	Restrictions	Update	17:47	23.08.2006	PORSCHE	PET	PORSCHE
993	98	7	01	701-05		203					



Pos	Part Number	Name	Remarks	Qty	Model
1	964 424 051 01	handbrake actuator		1	
		8YR black			
		6XL classic grey			
		H24 midnight blue			
		T15 chestnut brown			
		3QN marble grey			
		4YU cashmere beige			
1	964 424 051 50	parking-brake lever leather		1	
		8YR black			
		6XL classic grey			
		H24 midnight blue			
		T15 chestnut brown			
		3QN marble grey			
		4YU cashmere beige			
		G43 provence blue			
		K03 cedar green			
		8SE flamenco red			
		E38 rubicon grey			
		J30 nephrite green	97-		
		M30 boxer red	97-		
		B50 space grey			
1	993 424 051 00	parking-brake lever	/LL 97-	1	M 495
		8YR black			
		4YU cashmere beige			
		6XL classic grey			
		H24 midnight blue			
		T15 chestnut brown			

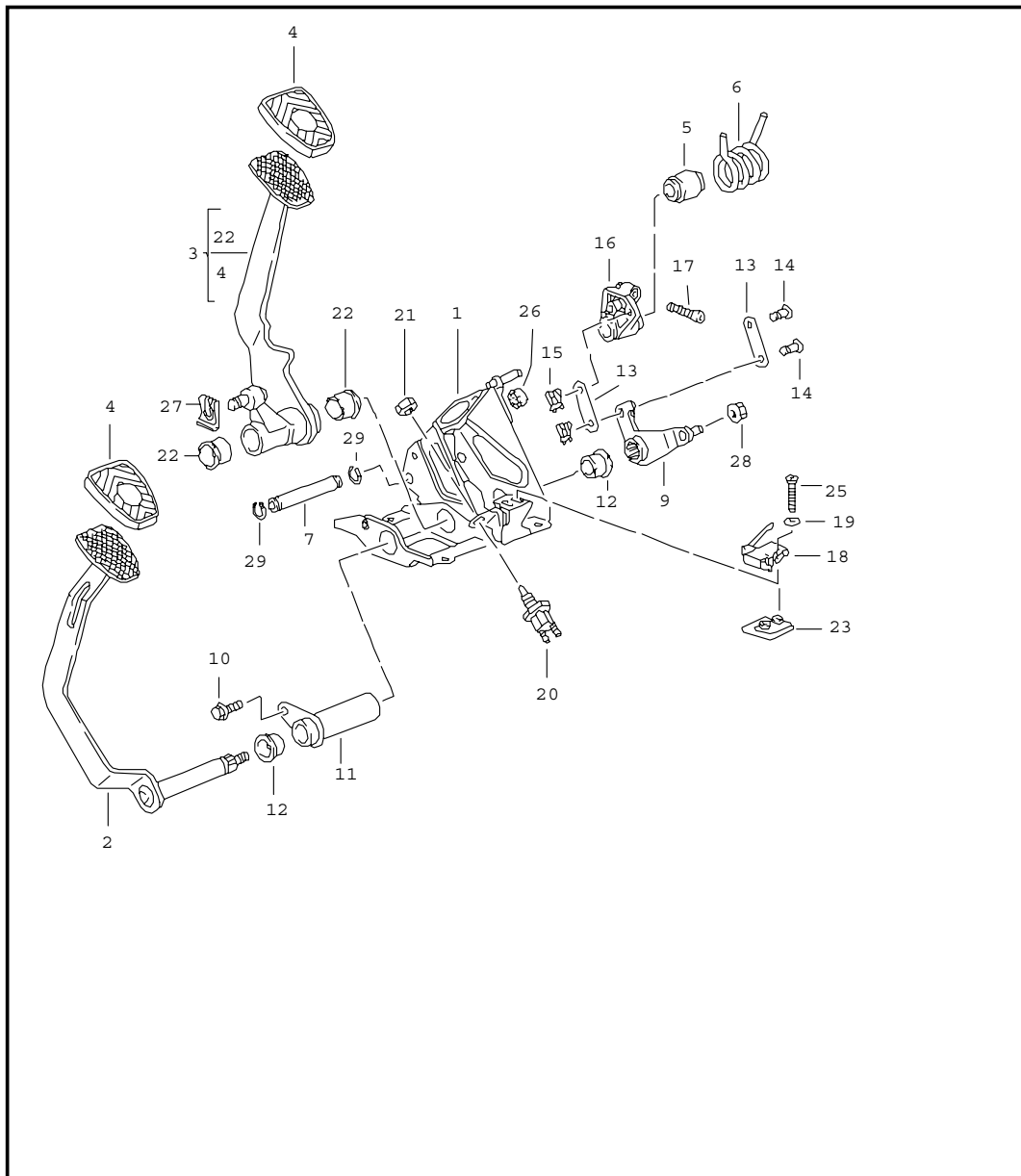
Model	Year	MG	SG	Illustration	Restrictions	Update					
993	98	7	01	701-05		203	17:47	23.08.2006	PORSCHE	PET	PORSCHE

Pos	Part Number	Name	Remarks	Qty	Model	Pos	Part Number	Name	Remarks	Qty	Model
	E38	rubicon grey					M30	boxster red			
1	993 424 052 00	parking-brake lever	/RL 97-	1	M 495		3QN	marble grey			
	8YR	black					B50	space grey			
	4YU	cashmere beige				2	964 424 060 00	bearing bracket		1	
	6XL	classic grey				3	901 613 521 20	contact piece		1	
	H24	midnight blue				4	900 015 025 02	oval-head screw AM 4 X 15		1	
	T15	chestnut brown				5	N 012 097 3	washer A 4,3		1	
	3QN	marble grey				6	901 424 509 01	stop		1	
	E38	rubicon grey				7	964 424 533 00	contact spring		1	
1	993 424 051 50	parking-brake lever leather	/LL 97-	1	M 495	8	900 055 001 20	rivet		2	
	8YR	black				9	900 031 012 10	washer 2,8		2	
	4YU	cashmere beige				10	900 206 003 00	tubular rivet 5 X 0,5 X 10		1	
	6XL	classic grey				11	901 424 567 03	push rod		1	
	H24	midnight blue				12	901 424 508 00	pawl		1	
	E38	rubicon grey				13	901 424 511 00	bolt		1	
	T15	chestnut brown				14	901 424 543 00	compression spring		1	
	J30	nephrite green				15	914 424 258 00	guide sleeve		1	
	M30	boxster red				16	901 424 593 01	rubber ring		1	
	3QN	marble grey				17	964 424 523 00	push button		1	
	B50	space grey				18	964 424 567 00	pull rod		1	
1	993 424 052 50	parking-brake lever leather	/RL 97-	1	M 495	19	999 166 010 02	bolt A6 X 16 X 13		1	
	8YR	black				20	N 012 645 2	lock		1	
	4YU	cashmere beige				21	959 424 519 00	pin		1	
	6XL	classic grey				22	N 012 653 1	lock		1	
	H24	midnight blue				23	964 424 570 00	lock		1	
	E38	rubicon grey				24	964 424 568 00	compensating piece		1	
	T15	chestnut brown				25	999 230 333 02	nipple		1	
	J30	nephrite green									

Model	Year	MG	SG	Illustration	Restrictions	Update					
993	98	7	01	701-05		203	17:47	23.08.2006	PORSCHE	PET	PORSCHE

Pos	Part Number	Name	Remarks	Qty	Model	Pos	Part Number	Name	Remarks	Qty	Model
26	964 424 569 00	adjusting nut		1							
28	900 380 005 09	hexagon nut M 8		4							
29	993 424 551 02	parking-brake cable		2							
-	993 424 045 00	guide tube		2							
30	914 424 541 00	locking segment		1							
		- - - E N D - - -									

Model	Year	MG	SG	Illustration	Restrictions	Update	17:47	23.08.2006	PORSCHE	PET	PORSCHE
993	98	7	02	702-00		203					

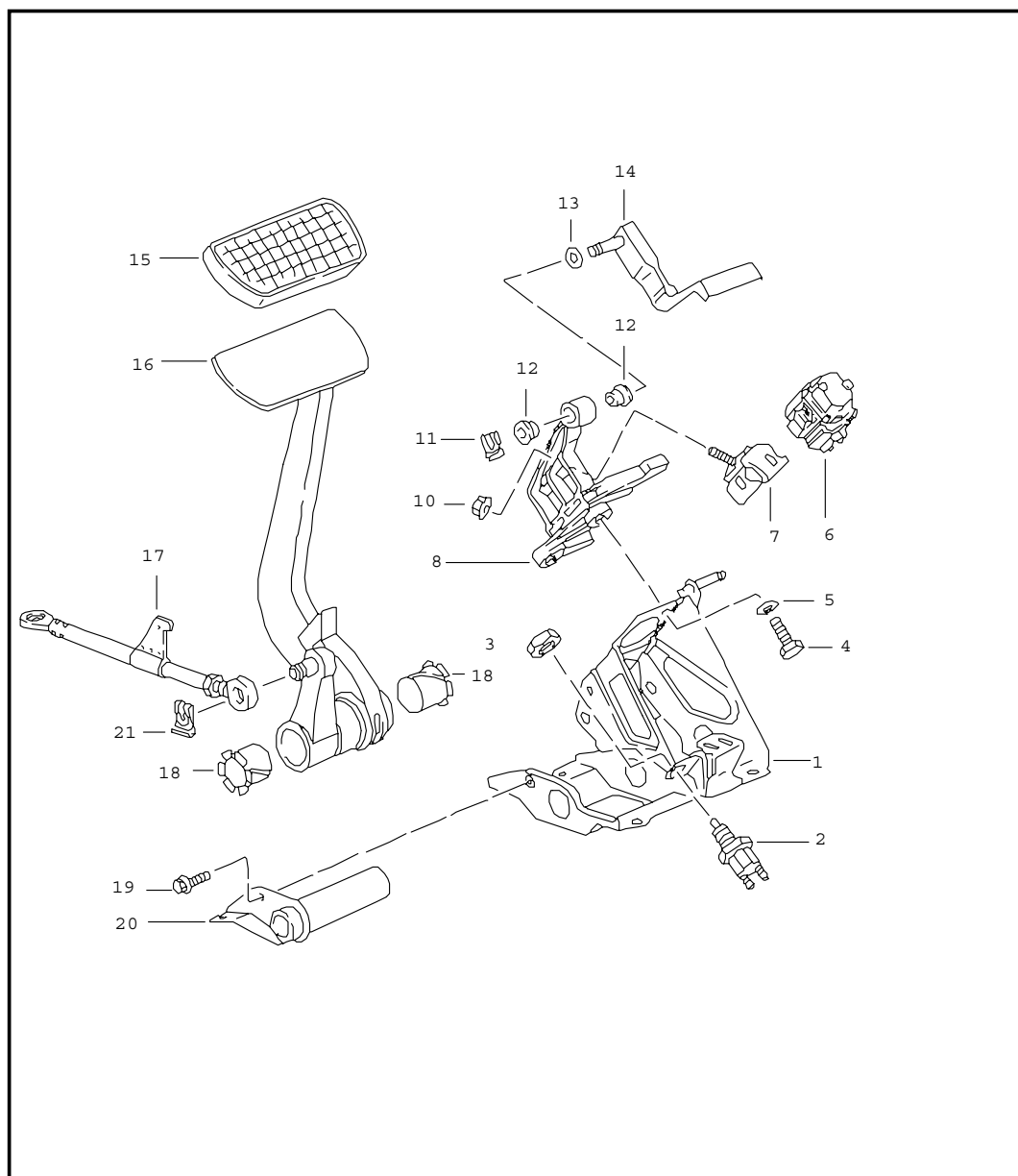


Pos	Part Number	Name	Remarks	Qty	Model
		pedals manual transmission			
1	993 423 065 00	bearing bracket	/LL -96	1	
1	993 423 065 01	bearing bracket	/LL 97-	1	
1	993 423 066 00	bearing bracket	/RL	1	
2	993 423 073 00	clutch pedal	/LL	1	
2	993 423 078 01	clutch pedal	/RL 94	1	
2	993 423 078 01	clutch pedal	/RL 95-	1	
-	964 423 036 02	stop clutch pedal	/LL	1	
-	964 423 038 01	stop clutch pedal	/RL	1	
-	901 423 368 00	desk pad		2	
-	900 119 001 02	pan-head screw M 5 X 12		2	
3	993 423 051 00	brake pedal	/LL	1	
(3)	993 423 052 00	brake pedal	/RL	1	
-	900 234 524 00	shim 35 X 25 X 0,2		X	
-	900 234 525 00	shim 35 X 25 X 0,3		X	
-	964 355 287 05	push rod		1	
-	964 355 321 03	securing clip for push rod		1	
4	914 423 210 00	rubber pad	/LL	2	
4	964 423 210 01	rubber pad	/RL	2	
5	964 423 543 01	bearing sleeve		1	
6	964 423 551 02	clutch power spring		1	
(6)	993 423 551 51	clutch power spring		1	TURBO
7	993 423 565 00	shaft		1	
9 A	993 423 519 00	lever		1	
9 A	993 423 519 01	lever		1	

Model	Year	MG	SG	Illustration	Restrictions	Update	17:47	23.08.2006	PORSCHE	PET	PORSCHE
993	98	7	02	702-00		203					

Pos	Part Number	Name	Remarks	Qty	Model	Pos	Part Number	Name	Remarks	Qty	Model
9	993 423 519 02	lever	-96	1							
9	993 423 519 03	lever	97-	1							
10	N 010 210 7	hexagon-head bolt M 6 X 10		1							
11	965 423 069 00	bearing tube	/LL	1							
(11)	965 423 060 00	bearing tube	/RL	1							
12	999 924 081 00	bush	/LL	2							
12	999 924 080 00	bush	/RL	1							
13	911 423 567 00	intermediate piece		2							
14	959 423 569 01	bolt		1							
15	N 012 645 2	lock		2							
16	A 965 423 453 00	lever		1							
16	965 423 143 00	lever		1							
17	900 067 148 02	pan-head screw M 5 X 25		1							
18	993 613 415 00	microswitch		1							
19	900 025 001 02	washer		2							
20	964 613 301 00	stop light switch		1							
21	999 076 044 40	hexagon nut		1							
22	999 924 094 00	bush		2							
23	964 423 613 00	threaded plate		1							
25	N 044 134 2	oval-head screw		2							
26	901 423 193 00	rubber stop		1							
27	999 166 077 02	safety clip		1							
28	900 380 008 09	hexagon nut M 10		1							
29	N 012 412 1	circlip 12 X 1		2							
		- - - E N D - - -									

Model	Year	MG	SG	Illustration	Restrictions	Update	17:47	23.08.2006	PORSCHE	PET	PORSCHE
993	98	7	02	702-05		203					

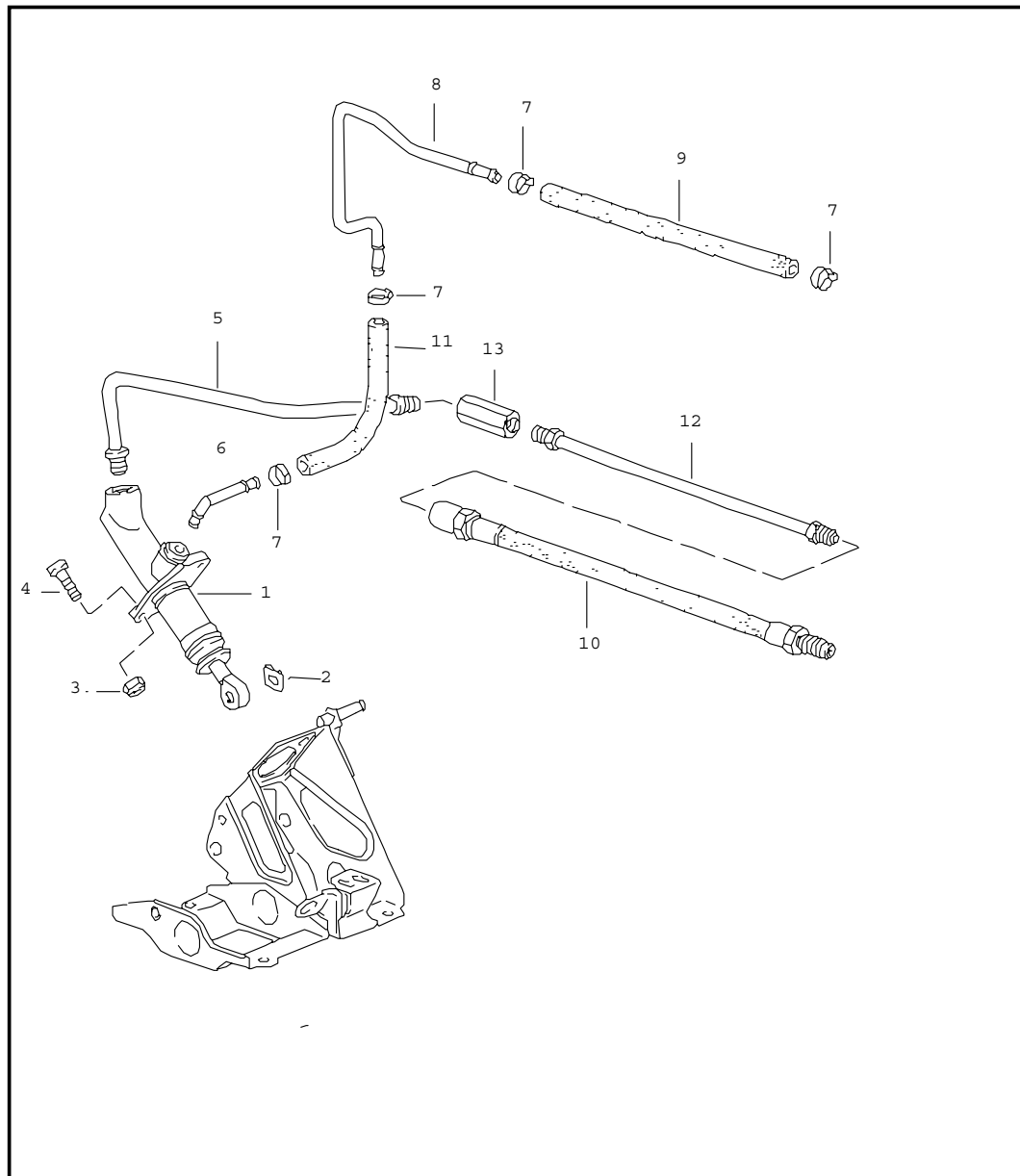


Pos	Part Number	Name	Remarks	Qty	Model
		pedals TIPTRONIC			M 249
1	993 423 065 00	bearing bracket	/LL -96	1	
1	993 423 065 01	bearing bracket	/LL 97-	1	
(1)	993 423 066 00	bearing bracket	/RL	1	
2	964 613 301 00	stop light switch		1	
3	999 076 044 40	hexagon nut		1	
4	900 378 074 09	hexagon-head bolt M 8 X 16		2	
6	964 613 211 00	kickdown switch		1	
7	964 423 243 01	support	/LL	1	
7	964 423 244 00	support	/RL	1	
8	964 423 241 03	bracket	/LL	1	
(8)	964 423 242 01	bracket	/RL	1	
10	900 380 015 09	hexagon nut VM 6		1	
11	999 166 035 02	safety clip		1	
12	999 924 069 00	bearing sleeve		2	
13	N 015 278 2	washer		1	
14	964 423 245 01	lever	/LL	1	
(14)	964 423 238 00	lever	/RL	1	
15	964 423 583 00	rubber pad		1	
16	993 423 053 00	brake pedal	/LL	1	
16	993 423 054 00	brake pedal	/RL	1	
17	964 355 287 05	push rod		1	
-	999 088 014 02	bolt 10 H9 X 29		1	
-	964 355 321 03	securing clip for push rod		1	
18	999 924 094 00	bush		2	
19	900 378 036 09	hexagon-head bolt M 6 X 12		1	

Model	Year	MG	SG	Illustration	Restrictions	Update					
993	98	7	02	702-05		203	17:47	23.08.2006	PORSCHE	PET	PORSCHE

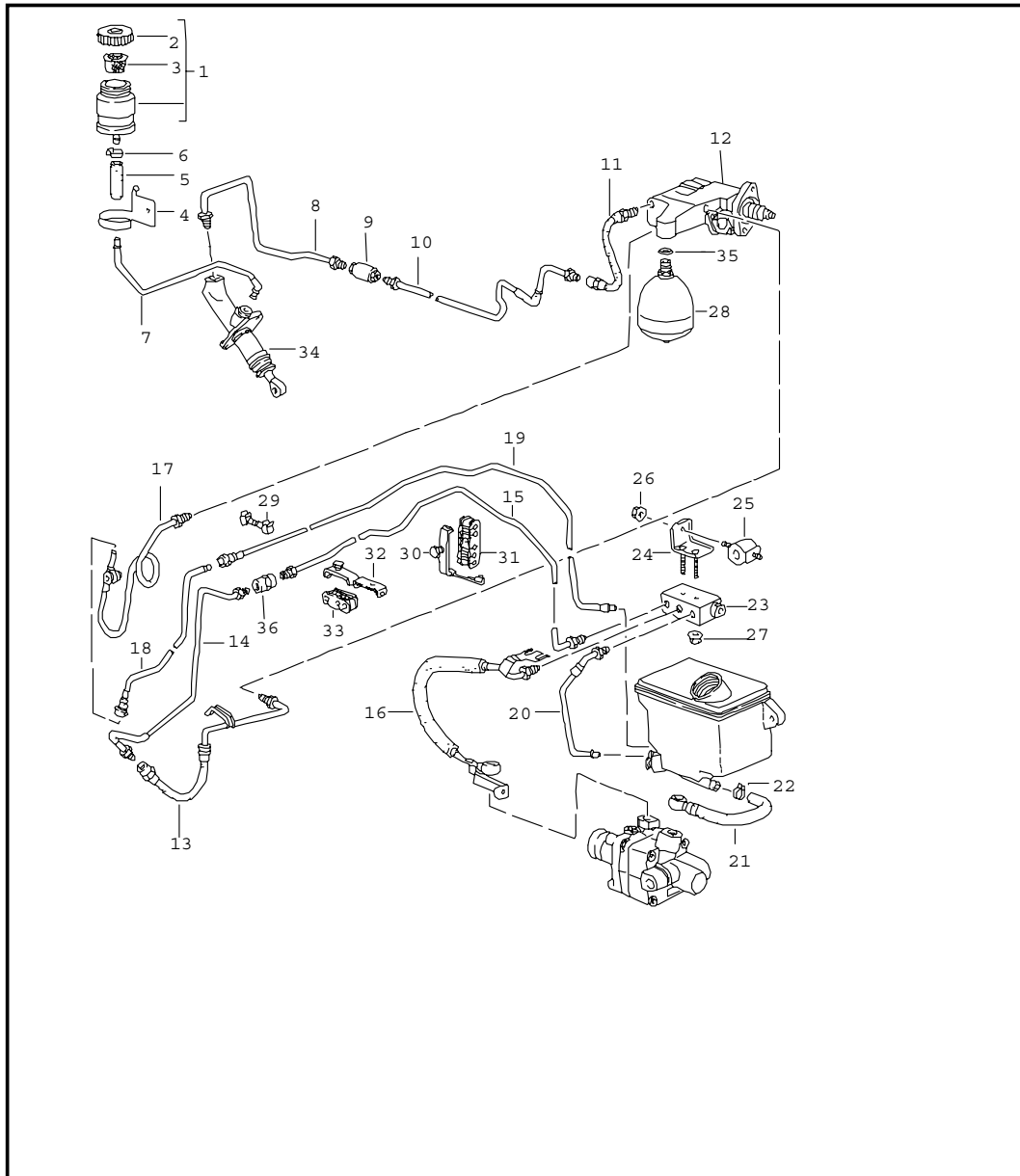
Pos	Part Number	Name	Remarks	Qty	Model	Pos	Part Number	Name	Remarks	Qty	Model
20	A 964 423 162 00	bearing tube	/LL	1							
20	964 423 162 01	bearing tube	/LL	1							
20	A 964 423 163 00	bearing tube	/RL	1							
20	964 423 163 01	bearing tube	/RL	1							
21	999 166 077 02	lock washer		1							
		- - - E N D - - -									

Model	Year	MG	SG	Illustration	Restrictions	Update	17:47	23.08.2006	PORSCHE	PET	PORSCHE
993	98	7	02	702-08		203					



Pos	Part Number	Name	Remarks	Qty	Model
		clutch control clutch master cylinder			
1	993 423 171 00	clutch master cylinder		1	
2	999 166 075 02	lock washer		1	
3	999 084 095 02	lock nut		2	
4	N 010 293 3	hexagon-head bolt		2	
5	964 423 107 00	clutch pipeline	/LL	1	
5	964 423 108 00	clutch pipeline	/RL	1	
6	964 423 757 00	elbow		1	
7	999 512 445 00	clamp		7	
8	964 423 137 02	clutch pipeline	/LL	1	
(8)	964 423 138 01	clutch pipeline	/RL	1	
9	999 181 021 50	hose 7,5 X 12,5		1	
10	964 423 477 00	clutch hose		1	
11	999 181 021 50	hose 7,5 X 12,5 X 270		1	
12 A	993 423 109 01	clutch pipeline	/LL	1	
12	993 423 109 02	clutch pipeline	/LL	1	
12	993 423 114 01	clutch pipeline	/RL	1	
-	999 591 922 40	support for clutch pipeline		X	
-	964 423 110 00	clutch pipeline centre	/RL	1	
13	477 209 161	connecting piece		2	
		- - - E N D - - -			

Model	Year	MG	SG	Illustration	Restrictions	Update	17:48	23.08.2006	PORSCHE	PET	PORSCHE
993	98	7	02	702-09		203					

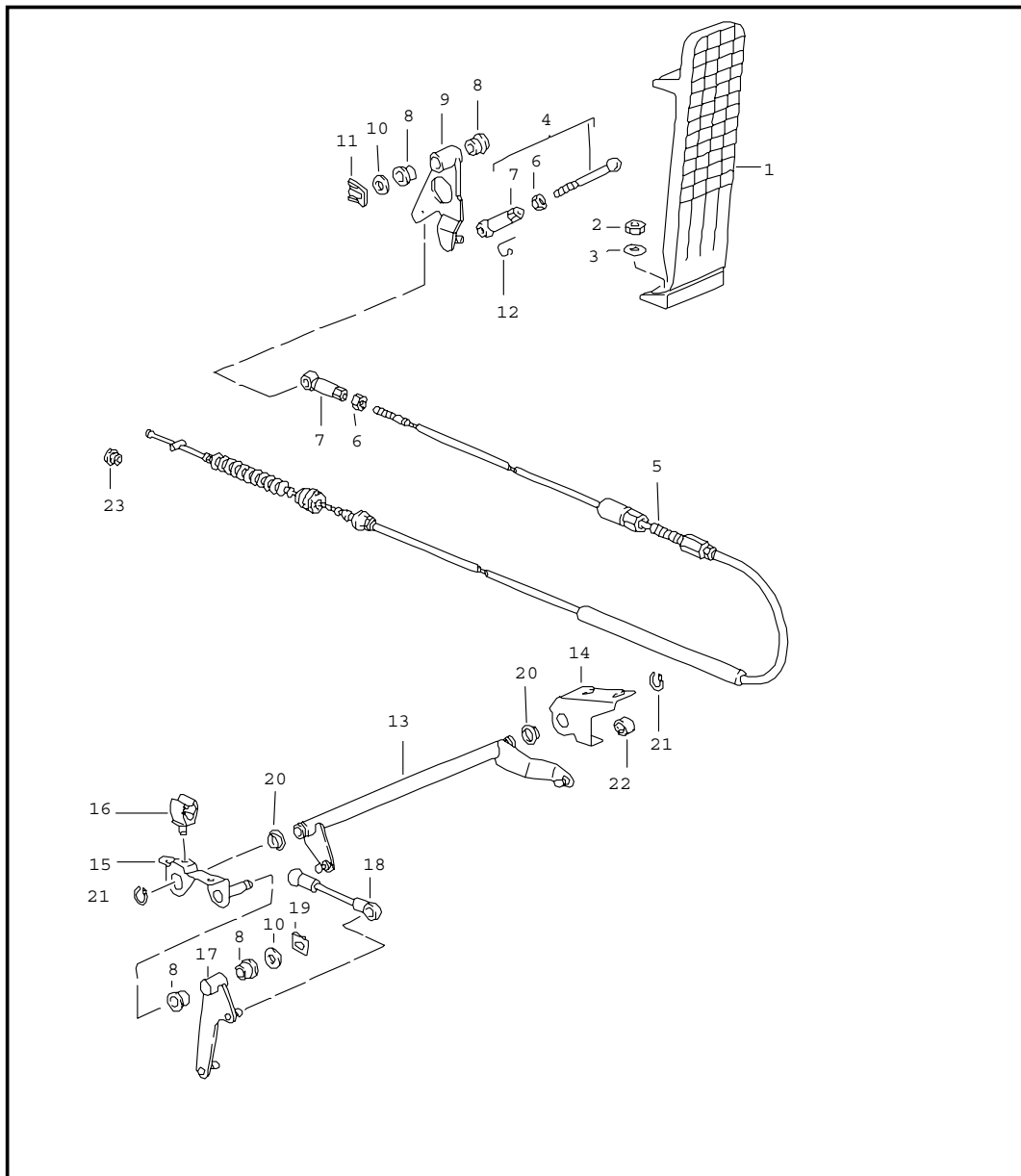


Pos	Part Number	Name	Remarks	Qty	Model
		clutch control clutch master cylinder clutch operating cylinder pressure accumulator lines container			TURBO
1	993 423 417 00	container		1	
2	993 423 817 00	cover		1	
3	211 611 381 B	strainer		1	
4	993 423 419 00	support	/LL	1	
(4)	993 423 420 00	support	/RL	1	
5	000 043 205 12	hose 70 MM		*	
6	999 512 532 00	hose clamp		1	
7	993 423 137 01	feed line	/LL	1	
(7)	993 423 138 01	feed line	/RL	1	
8	964 423 107 00	pressure line	/LL	1	
8	964 423 108 00	pressure line	/RL	1	
9	477 209 161	connecting piece		1	
-	964 423 110 00	clutch pipeline centre	/RL	1	
10	U 993 423 109 50	clutch pipeline	/LL	1	
10	993 423 109 02	pressure line	/LL	1	
(10)	993 423 114 03	pressure line	/RL	1	
11	993 314 477 02	clutch hose		1	
12	993 116 237 52	clutch operating cylinder		1	
-	993 116 201 00	support clutch operating cylinder		1	
13	993 314 294 04	pressure line		1	
14	993 314 288 03	pressure line		1	
15	993 314 282 02	pressure line		1	
16	993 314 290 13	pressure line		1	
17	993 314 480 05	return line		1	

Model	Year	MG	SG	Illustration	Restrictions	Update	17:48	23.08.2006	PORSCHE	PET	PORSCHE
993	98	7	02	702-09		203					

Pos	Part Number	Name	Remarks	Qty	Model	Pos	Part Number	Name	Remarks	Qty	Model
18	993 314 263 02	return line	/LL	1							
(18)	993 314 264 02	return line	/RL	1							
19	993 314 280 12	return line		1							
20	993 314 232 00	return line		1							
21	993 314 153 00	intake pipe		1							
22	999 512 559 02	hose clamp		1							
23	993 314 180 00	pressure valve		1							
24	993 314 184 00	support		1							
25	999 703 411 00	bearing		1							
26	900 380 001 02	hexagon nut M 6		2							
27	900 380 003 02	hexagon nut M 6		2							
28 A	993 314 166 00	pressure accumulator		1							
(28)	996 314 166 00	pressure accumulator		1							
29	999 507 496 40	support		1							
30	993 314 593 00	clamp		1							
31	993 347 545 00	rubber mounting		1							
32	964 356 555 00	clamp		2							
33	993 347 561 00	rubber mounting		2							
34	993 423 171 50	clutch master cylinder		1							
35	999 707 224 40	o-ring		1							
36	999 136 041 02	connecting piece		1							
-	000 043 203 33	pentosin 1000 ML		X							
		- - - E N D - - -									

Model	Year	MG	SG	Illustration	Restrictions	Update	17:48	23.08.2006	PORSCHE	PET	PORSCHE
993	98	7	02	702-10		203					



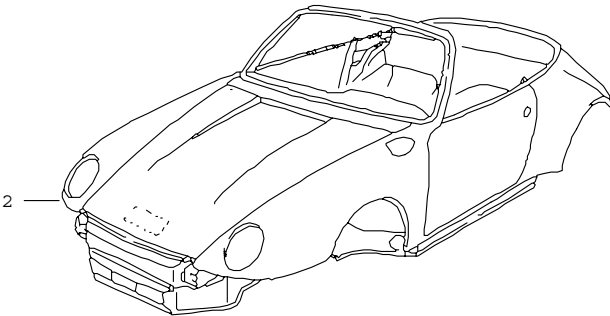
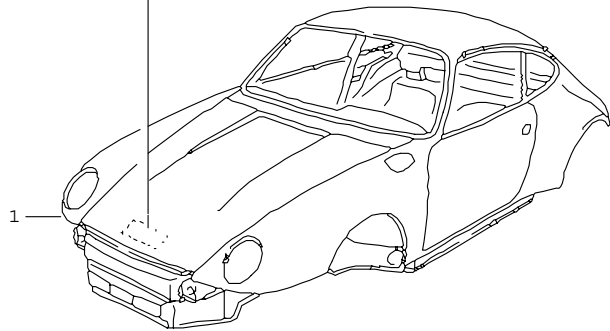
Pos	Part Number	Name	Remarks	Qty	Model
		pedals accelerator control			
1	964 423 111 00	accelerator pedal		1	
2	900 910 010 09	lock nut		2	
3	900 151 006 09	washer B 6,4		2	
4	964 423 027 00	push rod	/LL	1	
4	964 423 027 20	push rod	/LL	1	M 249
4	964 423 028 02	push rod	/RL	1	
4	964 423 028 21	push rod	/RL	1	M 249
5	993 423 023 03	accelerator cable	/LL -95	1	
5	993 423 023 81	accelerator cable	/LL	1	CARRERA RS
5	993 423 023 81	accelerator cable	/LL 96-	1	
5	993 423 023 21	accelerator cable	/LL 94	1	M 249
5	993 423 023 30	accelerator cable	/LL 95-	1	M 249
5	993 423 023 10	accelerator cable	/LL	1	TURBO
5	993 423 024 03	accelerator cable	/RL 94	1	
5 A	993 423 024 81	accelerator cable	/RL	1	CARRERA RS
5	993 423 024 82	accelerator cable	/RL	1	CARRERA RS
5 A	993 423 024 81	accelerator cable	/RL 96-	1	
5	993 423 024 82	accelerator cable	/RL 96-	1	
5	993 423 024 04	accelerator cable	/RL 95	1	
5	993 423 024 21	accelerator cable	/RL 94	1	M 249
5	993 423 024 22	accelerator cable	/RL 95	1	M 249
5 A	993 423 024 30	accelerator cable	/RL 96-	1	M 249
5	993 423 024 31	accelerator cable	/RL 96-	1	M 249
5	993 423 024 10	accelerator cable	/RL	1	TURBO
-	999 507 454 40	support transmission carrier	/RL	1	M 339
6	N 011 115 6	hexagon nut M 5		2	

Model	Year	MG	SG	Illustration	Restrictions	Update	17:48	23.08.2006	PORSCHE	PET	PORSCHE
993	98	7	02	702-10		203					

Pos	Part Number	Name	Remarks	Qty	Model	Pos	Part Number	Name	Remarks	Qty	Model
-	999 507 523 40	hose holder accelerator cable transmission	96-	1							
7	911 423 147 00	ball socket		2							
8	901 423 253 00	bearing sleeve		2							
9	964 423 251 01	reverse lever		1							
10	900 089 006 02	washer		3							
11	999 166 075 02	lock		1							
12	N 015 526 2	securing clip		2							
13	964 423 521 01	shaft	/RL	1							
14	964 423 514 00	bracket	/RL	1							
15	964 423 511 00	bracket	/RL	1							
16	944 347 467 00	cable clip	/RL	1							
17	964 423 252 01	reverse lever	/RL	1							
18	993 423 254 00	push rod	/RL	1							
19	999 166 035 02	safety clip	/RL	1							
20	999 924 006 40	bearing sleeve	/RL	2							
21	N 012 412 1	circlip	/RL	2							
22	901 423 193 00	rubber stop	/RL	1							
23	964 423 435 00	clip		1							
		- - - E N D - - -									

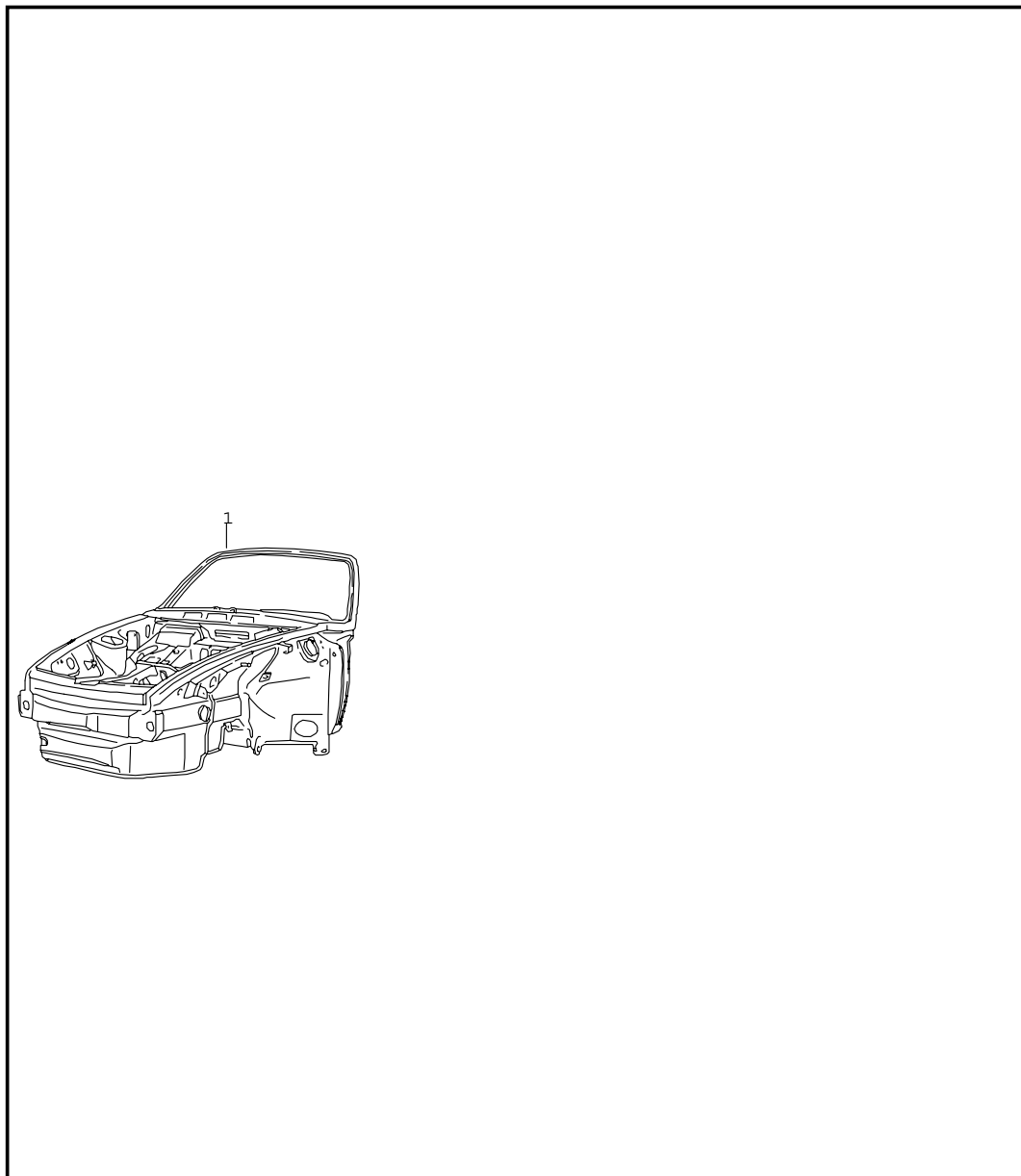
Model	Year	MG	SG	Illustration	Restrictions	Update	17:48	23.08.2006	PORSCHE	PET	PORSCHE
993	98	8	01	801-00		203					

B — WP0222 992 RS 302 477
 C — 993 330
 464.05 62L 05070
 L 35 V SW — A
 D — C00738 155 178 243
 E — 573 650 700 798 383
 425 430 474 488 587
 650
 F — 00311 00321 00341
 04661 05081 08201



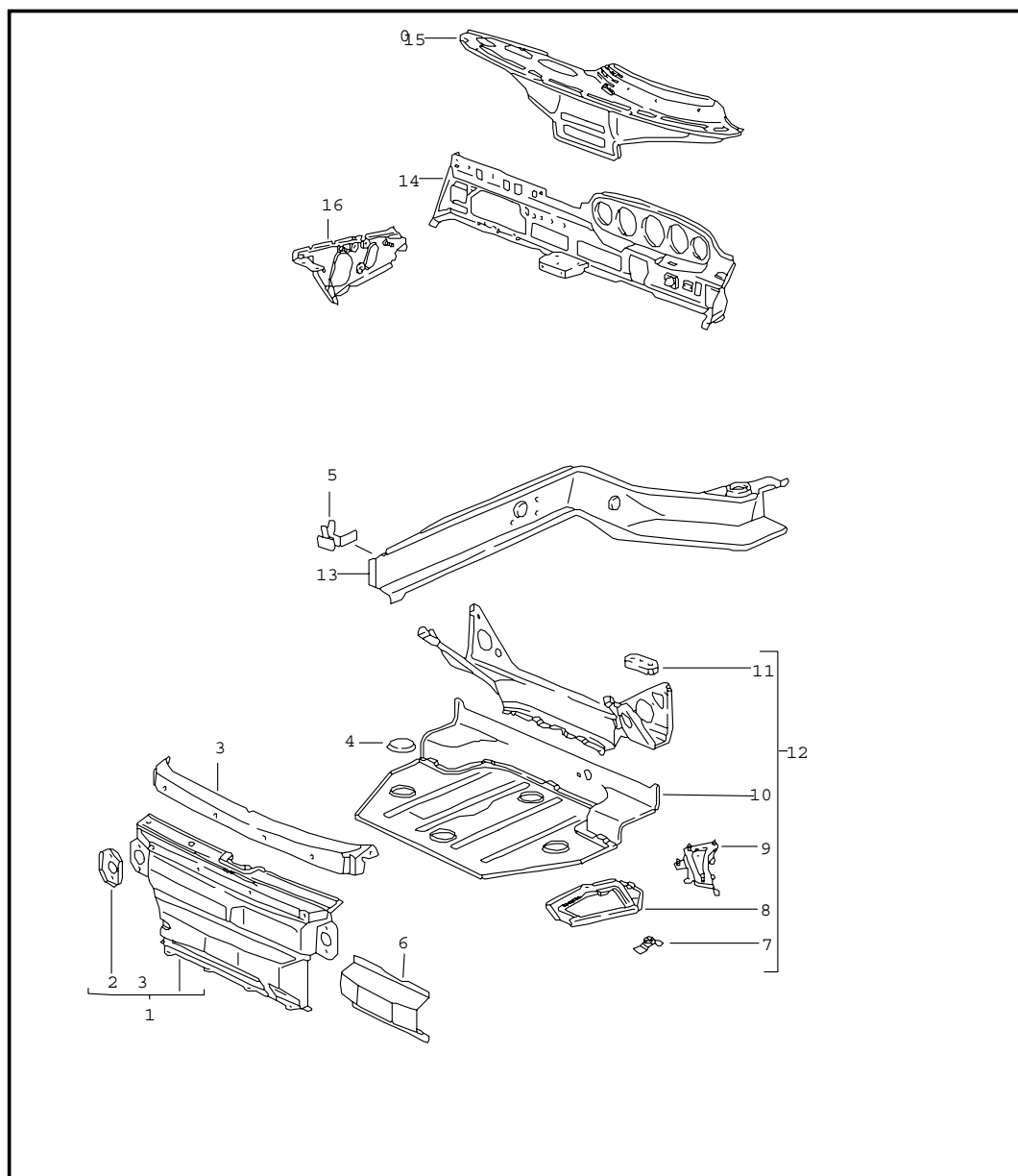
Pos	Part Number	Name	Remarks	Qty	Model
		body in white			
		prime coated			
		sealed			
		with			
		underbody protection			
		bodyshells can only			
		be delivered of the			
		current model year			
		the data (b-f) that you			
		need for your order			
		please find in the data			
		vehicle data bank			
		please indicate this data			
		in your order			
A	-	data bank of the car			
B	-	vehicle identification no.			
C	-	order type			
D	-	country equipment			
E	-	optional extras			
F	-	additional applications			
1	993 500 900 00	body in white		1	COUPE
	GRV	prime coated			
2	993 500 900 60	body in white		1	CABRIO
	GRV	prime coated			
		- - - E N D - - -			

Model	Year	MG	SG	Illustration	Restrictions	Update	17:48	23.08.2006	PORSCHE	PET	PORSCHE
993	98	8	01	801-05		203					



Pos	Part Number	Name	Remarks	Qty	Model
		body front section			
1	993 501 911 01	body front section	/LL	1	
	GRV	prime coated			
(1)	993 501 912 01	body front section	/RL	1	
	GRV	prime coated			
		- - - E N D - - -			

Model	Year	MG	SG	Illustration	Restrictions	Update	17:48	23.08.2006	PORSCHE	PET	PORSCHE
993	98	8	01	801-10		203					

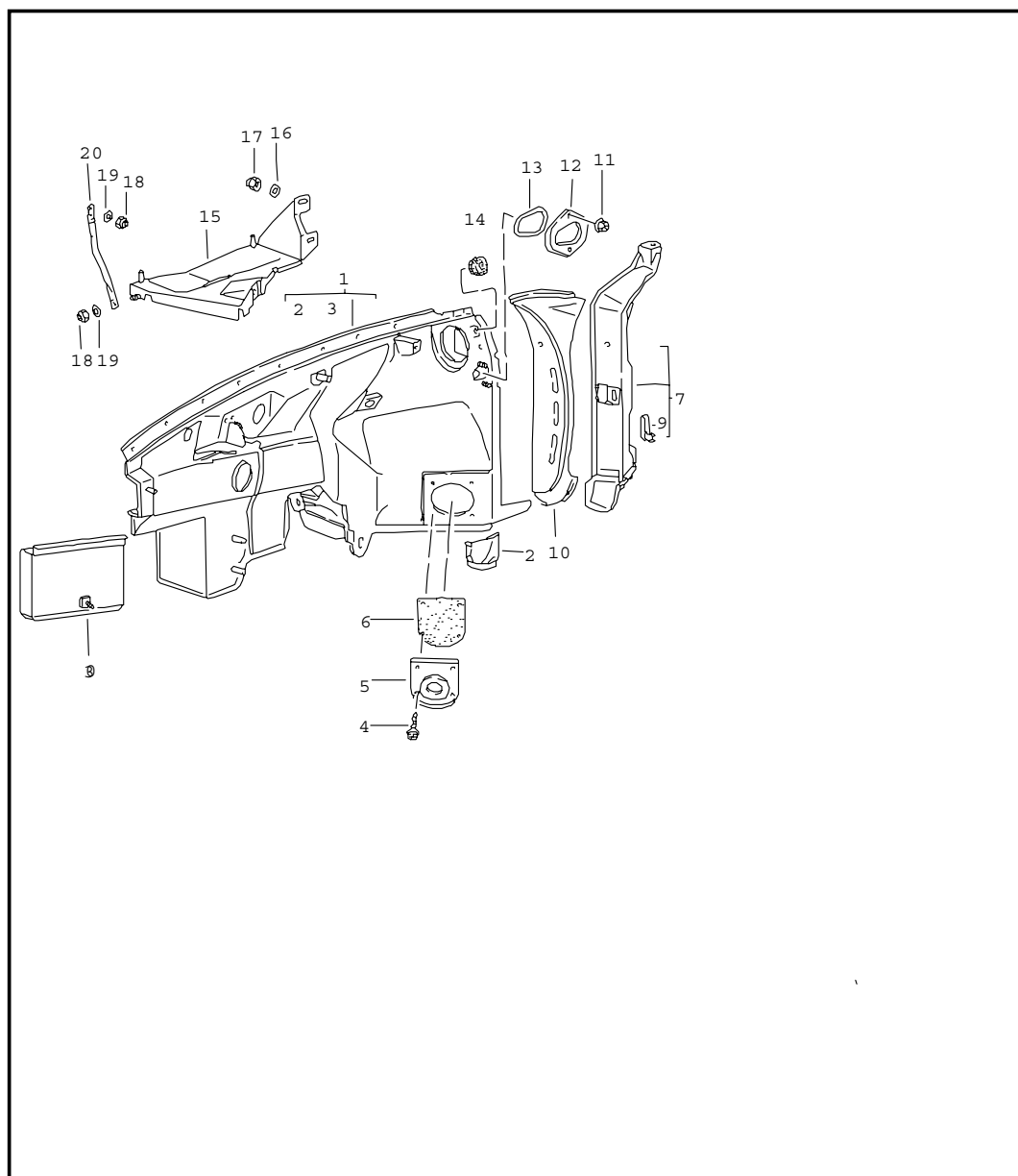


Pos	Part Number	Name	Remarks	Qty	Model
		frame front			
1	A 993 501 033 00	end plate		1	
	GRV	prime coated			
1	993 501 033 01	end plate		1	
	GRV	prime coated			
(2)	964 501 117 00	reinforcement	/L	1	
2	964 501 118 00	reinforcement	/R	1	
3	993 501 755 00	sealing rail		1	
	GRV	prime coated			
4	964 504 209 00	cover		2	
(4)	964 504 213 00	cover for spare-wheel well		2	
5	964 501 673 00	support		2	
	GRV	prime coated for cover			
6	993 501 807 00	reinforcement		1	CARRERA RS
	GRV	prime coated			
7	964 501 383 01	mounting for emergency wheel		1	
8	993 501 285 01	carrier plate for battery		1	
	GRV	prime coated			
9	993 501 289 00	support		1	
	GRV	prime coated for hydraulic unit			
-	993 501 053 01	floor section	/LL	1	
	GRV	prime coated			
-	993 501 054 01	floor section	/RL	1	
	GRV	prime coated			
10	993 501 505 00	spare-wheel well		1	

Model	Year	MG	SG	Illustration	Restrictions	Update	17:48	23.08.2006	PORSCHE	PET	PORSCHE
993	98	8	01	801-10		203					

Pos	Part Number	Name	Remarks	Qty	Model	Pos	Part Number	Name	Remarks	Qty	Model
		GRV prime coated				-	964 501 519 00	gusset plate	/LL/L	1	
11	964 501 133 00	threaded plate		2			GRV prime coated				
12	993 599 055 00	spare-wheel well		1		-	964 501 520 00	gusset plate	/RL/R	1	
		GRV prime coated complete with cross member					GRV prime coated				
13	964 501 015 03	side member	/L	1							
(13)	964 501 016 02	side member	/R	1							
14	993 502 027 02	dashboard	/LL	1							
		GRV prime coated lower part									
(14)	993 502 028 01	dashboard	/RL	1							
		GRV prime coated lower part									
15	993 502 025 00	dashboard	/LL	1							
		GRV prime coated upper part									
(15)	993 502 026 00	dashboard	/RL	1							
		GRV prime coated upper part									
16	993 501 081 00	bracket	/L	1							
		GRV prime coated									
(16)	993 501 082 00	bracket	/R	1							
		GRV prime coated									
17	964 501 123 00	foot support	/LL	1							
		GRV prime coated									
(17)	964 501 124 00	foot support	/RL	1							
		GRV prime coated									
-	964 501 514 00	support	/LL/R	1							
		GRV prime coated									
-	964 501 513 00	support	/RL/L	1							
		GRV prime coated									

Model	Year	MG	SG	Illustration	Restrictions	Update	17:49	23.08.2006	PORSCHE	PET	PORSCHE
993	98	8	01	801-15		203					

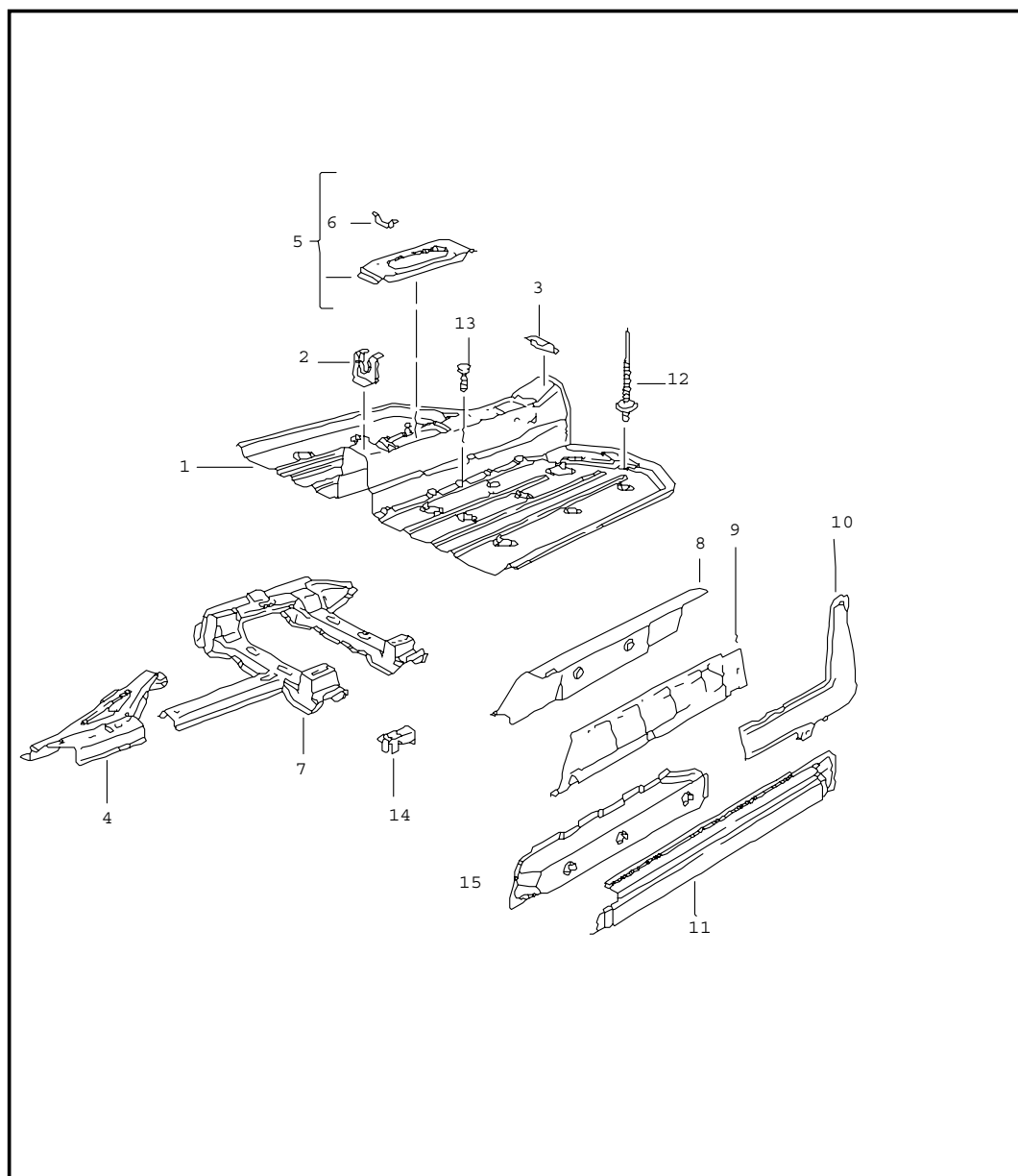


Pos	Part Number	Name	Remarks	Qty	Model
1	993 501 035 00	wheel housing front		1	
	GRV	prime coated	/L		
(1)	993 501 036 01	wheel housing	/R	1	
	GRV	prime coated			
2	964 501 297 00	jacking point	/L	1	
(2)	964 501 298 00	jacking point	/R	1	
3	964 501 125 00	gusset plate	/L	1	
(3)	993 501 126 00	gusset plate	/R	1	
	GRV	prime coated			
4	900 143 157 07	screw B 4,2 X 13		8	
5	964 504 251 01	cover		2	
6	964 504 725 00	gasket		2	
7	993 502 039 00	hinge pillar	/L	1	
	GRV	prime coated			
(7)	993 502 040 00	hinge pillar	/R	1	
	GRV	prime coated			
(7)	993 502 039 01	hinge pillar	/L	1	TURBO M 491, M 495
	GRV	prime coated			
(7)	993 502 040 01	hinge pillar	/R	1	TURBO M 491, M 495
	GRV	prime coated			
9	901 501 305 20	angular bracket	/L	1	
(9)	901 501 306 20	angular bracket	/R	1	
10 A	993 502 053 00	wing joining plate	/L	1	
	GRV	prime coated			
10	993 502 053 02	wing joining plate	/L	1	
	GRV	prime coated			

Model	Year	MG	SG	Illustration	Restrictions	Update					
993	98	8	01	801-15		203	17:49	23.08.2006	PORSCHE	PET	PORSCHE

Pos	Part Number	Name	Remarks	Qty	Model	Pos	Part Number	Name	Remarks	Qty	Model
(10)	A 993 502 054 00	wing joining plate	/R	1							
	GRV	prime coated									
(10)	993 502 054 02	wing joining plate	/R	1							
	GRV	prime coated									
11	999 501 074 40	plastic nut		2							
12	964 572 565 00	cover for cars without air conditioner		1							
-	000 043 172 00	sealing cord roller with 10 meters \$ 9 MM		*							
13	--- --- --- --	250 MM		1							
14	111 971 911 A	rubber sleeve		4							
(14)	999 703 348 40	rubber sleeve		2	M 650						
15	993 504 138 00	bracket for oil cooler	/R	1							
16	900 151 008 02	washer B 8,4		3							
17	900 910 022 02	lock nut M 8		3							
18	900 910 010 09	lock nut M 6		2							
19	N 011 666 7	washer B 6,4		2							
20	993 504 139 00	strut		1							
		- - - E N D - - -									

Model	Year	MG	SG	Illustration	Restrictions	Update	17:49	23.08.2006	PORSCHE	PET	PORSCHE
993	98	8	01	801-20		203					

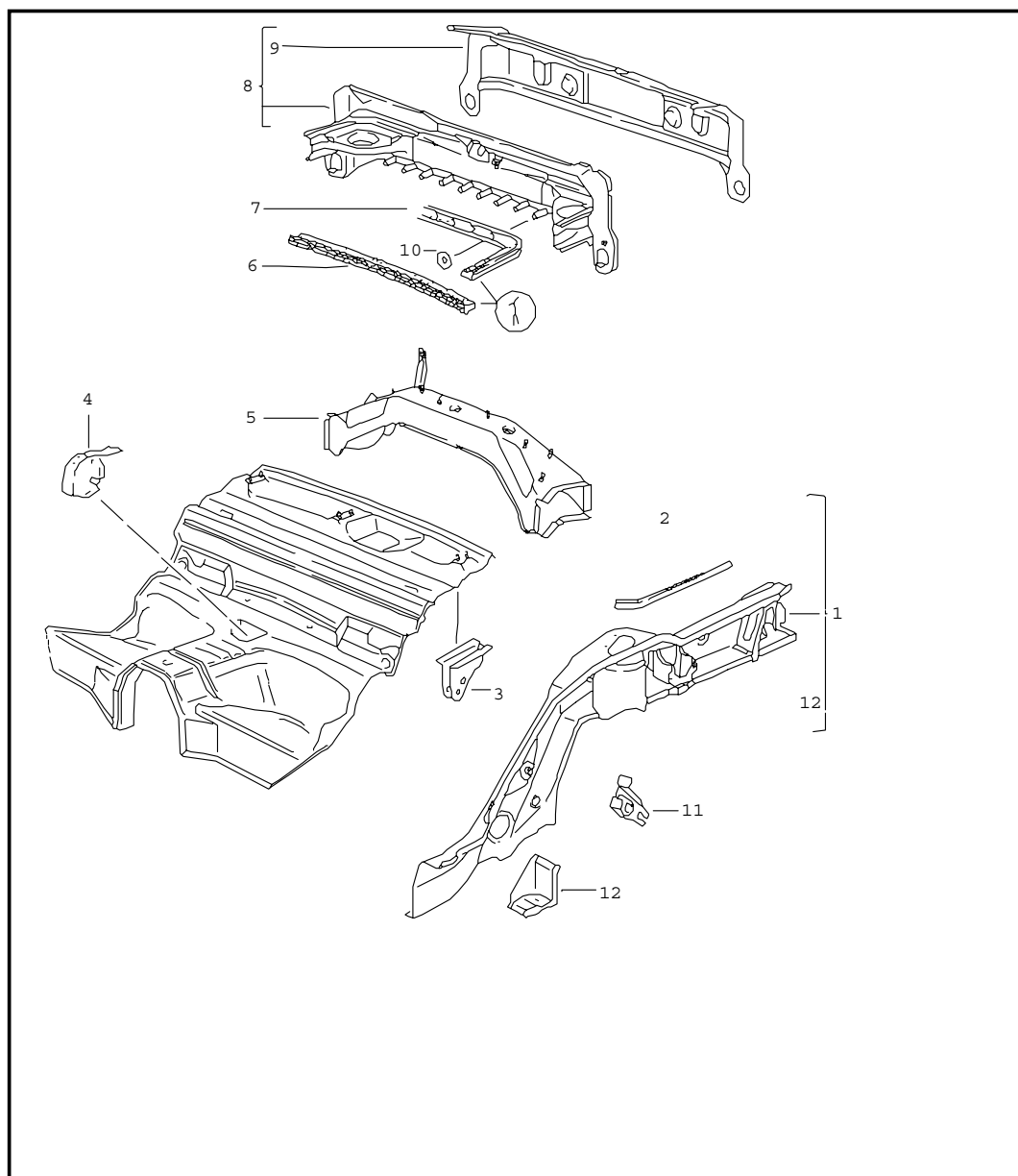


Pos	Part Number	Name	Remarks	Qty	Model
		frame centre			
1	993 501 501 00	floor		1	
	GRV	prime coated			
2	964 501 433 00	support	/V	1	
	GRV	prime coated for centre console			
3	964 501 430 00	support	/H	1	
	GRV	prime coated for centre console			
4	993 501 621 00	reinforcement	/LL/L	1	
	GRV	prime coated			
(5)	993 501 059 00	bracket		1	
	GRV	prime coated for cars with TIPTRONIC it is necessary to rework			
6	964 501 432 00	support		1	
	GRV	prime coated for centre console			
7	993 501 057 00	seat support	/L 94	1	
	GRV	prime coated			
(7)	993 501 058 00	seat support	/R 94	1	
	GRV	prime coated			
7	993 501 057 01	seat support	/L 95-	1	
	GRV	prime coated			
(7)	993 501 058 01	seat support	/R 95-	1	
	GRV	prime coated			
8	993 501 021 00	side member	/L	1	
	GRV	prime coated			
(8)	993 501 022 00	side member	/R	1	

Model	Year	MG	SG	Illustration	Restrictions	Update	17:49	23.08.2006	PORSCHE	PET	PORSCHE
993	98	8	01	801-20		203					

Pos	Part Number	Name	Remarks	Qty	Model	Pos	Part Number	Name	Remarks	Qty	Model
	GRV	prime coated					GRV	prime coated			
9	993 501 335 00	side member	/L	1		(15)	993 502 580 00	gusset plate extension	/R	1	CABRIO, TARGA
	GRV	prime coated					GRV	prime coated			
(9)	993 501 336 00	side member	/R	1		-	993 501 691 00	guide tube	/L	1	
	GRV	prime coated					GRV	prime coated for parking-brake cable			
10	993 502 177 00	gusset plate	/L	1		-	993 501 692 00	guide tube	/R	1	
	GRV	prime coated					GRV	prime coated for parking-brake cable			
(10)	993 502 578 00	gusset plate	/R	1		-	993 501 293 00	guide tube	/LL	1	
	GRV	prime coated					GRV	prime coated for accelerator cable			
(10)	993 502 177 01	gusset plate	/L	1	TURBO M 491, M 495	N	993 501 294 00	guide tube	/RL	1	
	GRV	prime coated					GRV	prime coated for accelerator cable			
(10)	993 502 178 01	gusset plate	/R	1	TURBO M 491, M 495	N	993 501 294 00	guide tube	/RL	1	
	GRV	prime coated					GRV	prime coated for accelerator cable			
11	993 503 961 00	door sill	/L	1		-	996 504 201 01	cover \$ 145 MM		X	
	GRV	prime coated					999 703 454 40	cover \$ 70 MM		X	
(11)	993 503 962 00	door sill	/R	1		-	996 504 217 01	cover \$ 55 MM		X	
	GRV	prime coated									
(11)	993 503 961 01	door sill	/L	1	TURBO M 491, M 495	-					
	GRV	prime coated									
(11)	993 503 962 01	door sill	/R	1	TURBO M 491, M 495						
	GRV	prime coated									
12	928 299 516 06	tubular rivet A 4,8 X 6,5 X 22		X							
13	999 503 094 00	weld screw M 6 X 12		10							
14	964 501 535 01	compensating plate seat support		2							
15	993 502 579 00	gusset plate extension	/L	1	CABRIO, TARGA						

Model	Year	MG	SG	Illustration	Restrictions	Update	17:49	23.08.2006	PORSCHE	PET	PORSCHE
993	98	8	01	801-25		203					

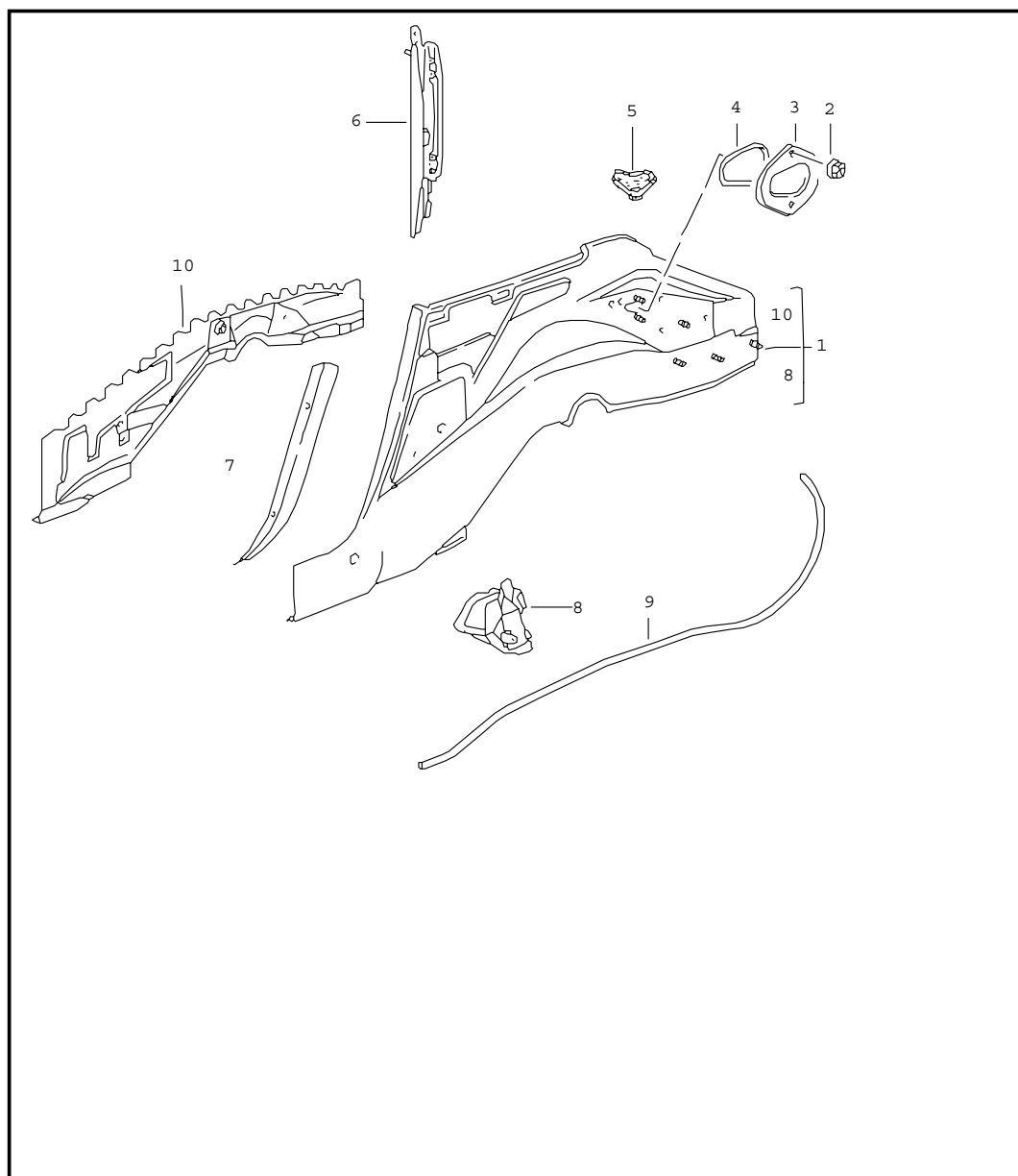


Pos	Part Number	Name	Remarks	Qty	Model
		frame rear			
(1)	993 501 925 01	side member	/L	1	
	GRV	prime coated with rail			
		use also: POS.(11) 95-			
(1)	993 501 926 01	side member	/R	1	
	GRV	prime coated with rail			
		use also: POS.(11) 95-			
1	993 501 925 02	side member	/L	1	
	GRV	prime coated with bolt			
(1)	993 501 926 02	side member	/R	1	
	GRV	prime coated with bolt			
2	993 501 793 00	rail	/L	1	
	GRV	prime coated for engine compartment seal			
(2)	993 501 794 00	rail	/R	1	
	GRV	prime coated for engine compartment seal			
3	911 501 729 01	pneumatic spring mount		2	
4	964 501 041 00	bearing		1	
5	A 993 501 075 00	rear axle cross support		1	
	GRV	prime coated			
(5)	993 501 075 01	rear axle cross support		1	
	GRV	prime coated			
6	993 504 325 00	engine compartment seal for rail		1	

Model	Year	MG	SG	Illustration	Restrictions	Update	17:49	23.08.2006	PORSCHE	PET	PORSCHE
993	98	8	01	801-25		203					

Pos	Part Number	Name	Remarks	Qty	Model	Pos	Part Number	Name	Remarks	Qty	Model
6	A 993 504 325 08	engine compartment seal		1				- - - E N D - - -			
(6)	993 504 325 08	engine compartment seal for bolt		1							
7	993 504 325 01	engine compartment seal for rail		1							
7	A 993 504 325 07	engine compartment seal		1							
(7)	993 504 325 07	engine compartment seal for bolt		1							
8	993 501 079 01	cross member		1							
	GRV	prime coated									
-	993 501 045 00	engine mounting	/L	1							
	GRV	prime coated									
-	993 501 046 00	engine mounting	/R	1							
	GRV	prime coated									
9	993 501 091 00	cross member		1							
	GRV	prime coated outer									
10	999 591 974 02	clamping washer		30							
11	993 501 153 00	support	/L 94	1							
	GRV	prime coated									
(11)	993 501 154 00	support	/R 94	1							
	GRV	prime coated									
(11)	993 501 533 02	support	/L 95-	1							
	GRV	prime coated									
(11)	993 501 534 02	support	/R 95-	1							
	GRV	prime coated									
12	993 501 221 00	bracket	/L	1							
	GRV	prime coated									
(12)	993 501 222 00	bracket	/R	1							
	GRV	prime coated									

Model	Year	MG	SG	Illustration	Restrictions	Update	17:49	23.08.2006	PORSCHE	PET	PORSCHE
993	98	8	01	801-30		203					

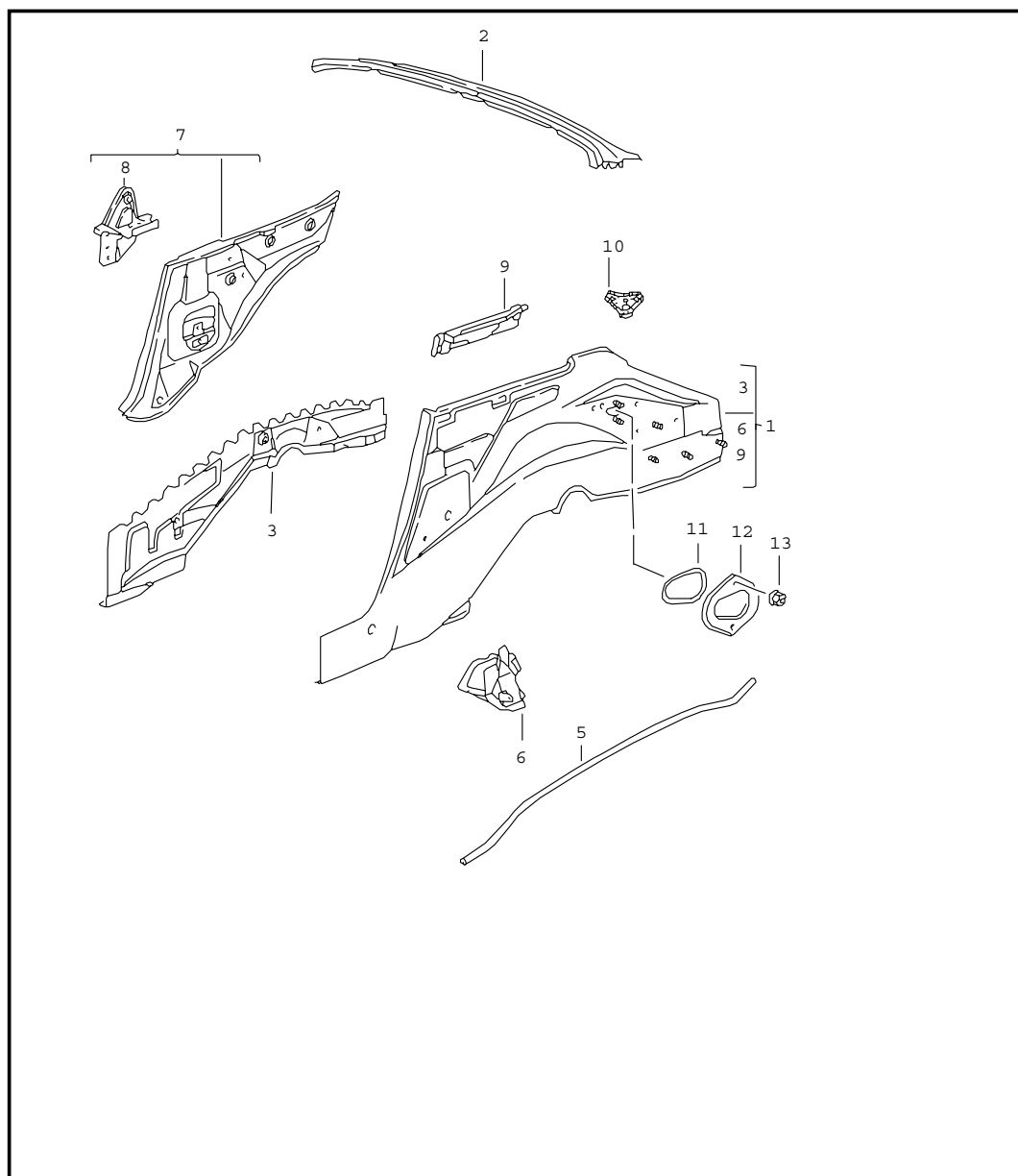


Pos	Part Number	Name	Remarks	Qty	Model
		wheel housing rear			COUPE
1	993 502 017 00	wheel housing	/L	1	
	GRV	prime coated			
(1)	993 502 018 00	wheel housing	/R	1	
	GRV	prime coated			
2	999 501 074 40	plastic nut T 5		2	
3	964 572 565 00	cover for cars without air conditioner		1	
-	000 043 172 00	sealing cord roller with 10 meters \$ 9 MM		*	
4	-	250 MM		1	
5	964 504 610 00	rubber sleeve for oil hose	/R	1	
6	993 502 071 00	lock pillar	/L	1	
	GRV	prime coated			
(6)	993 502 072 00	lock pillar	/R	1	
	GRV	prime coated			
7	964 502 771 00	profile	/L	1	
(7)	964 502 772 00	profile	/R	1	
8	993 502 085 00	bracket	/L	1	
	GRV	prime coated			
(8)	993 502 086 00	bracket	/R	1	
	GRV	prime coated for jacking point			
-	993 501 803 00	filler plate	/L	1	
	GRV	prime coated			
-	993 501 804 00	filler plate	/R	1	
	GRV	prime coated			

Model	Year	MG	SG	Illustration	Restrictions	Update	17:49	23.08.2006	PORSCHE	PET	PORSCHE
993	98	8	01	801-30		203					

Pos	Part Number	Name	Remarks	Qty	Model	Pos	Part Number	Name	Remarks	Qty	Model
9	993 502 283 00	guide tube		1							
	GRV	prime coated for lid-release cable									
10	993 502 121 01	reinforcement	/L	1							
	GRV	prime coated									
(10)	993 502 122 01	reinforcement	/R	1							
	GRV	prime coated									
-	993 504 371 00	support carbon canister	98	1	M 660						
-	999 084 629 09	nut M 6	98	4	M 660						
		- - - E N D - - -									

Model	Year	MG	SG	Illustration	Restrictions	Update	17:50	23.08.2006	PORSCHE	PET	PORSCHE
993	98	8	01	801-35		203					

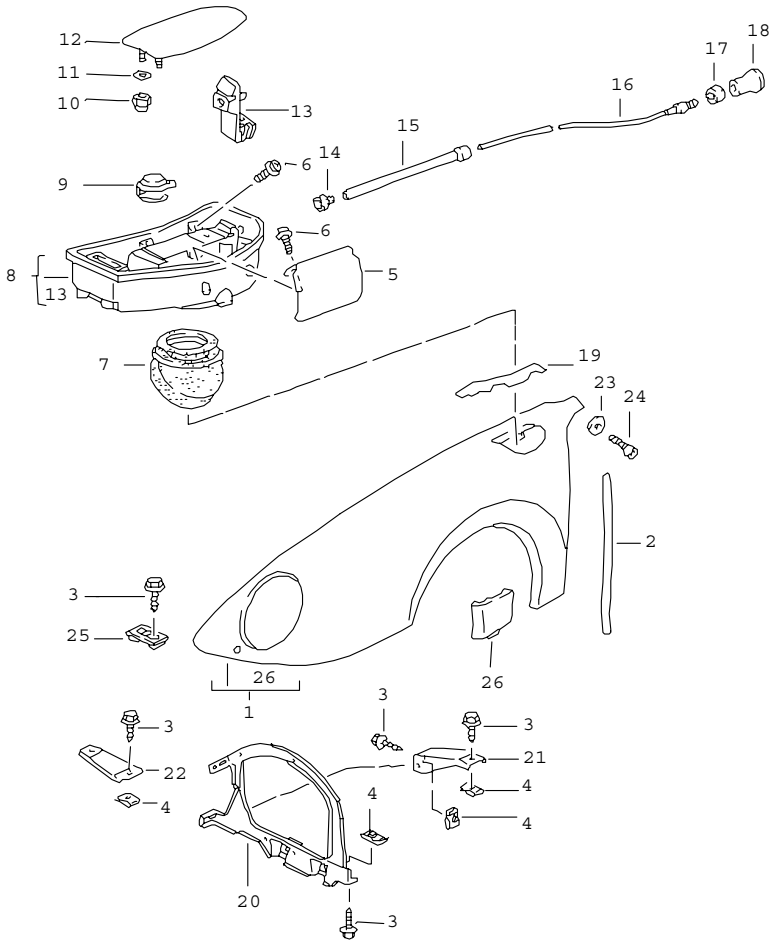


Pos	Part Number	Name	Remarks	Qty	Model
		wheel housing rear			CABRIO/TARGA
1	993 502 017 01	wheel housing	/L	1	CABRIO
	GRV	prime coated			
(1)	993 502 018 01	wheel housing	/R	1	CABRIO
	GRV	prime coated			
(1)	993 502 017 07	wheel housing	/L	1	TARGA
	GRV	prime coated			
(1)	993 502 018 04	wheel housing	/R	1	TARGA
	GRV	prime coated			
2	993 503 511 00	centre part F	>>99SS3 32368	1	CABRIO
	GRV	prime coated			
(2)	993 503 511 02	centre part F 99SS3 32369>>		1	CABRIO, TARGA
	GRV	prime coated			
3	993 502 121 01	reinforcement	/L	1	
	GRV	prime coated			
(3)	993 502 122 01	reinforcement	/R	1	
	GRV	prime coated			
5	993 502 283 00	guide tube		1	
	GRV	prime coated for lid-release cable			
6	993 502 085 00	bracket	/L	1	
	GRV	prime coated for jacking point			
(6)	993 502 086 00	bracket	/R	1	
	GRV	prime coated for jacking point			
-	993 501 803 00	filler plate	/L	1	
	GRV	prime coated			

Model	Year	MG	SG	Illustration	Restrictions	Update	17:50	23.08.2006	PORSCHE	PET	PORSCHE
993	98	8	01	801-35		203					

Pos	Part Number	Name	Remarks	Qty	Model	Pos	Part Number	Name	Remarks	Qty	Model
-	993 501 804 00	filler plate	/R	1		13	999 084 075 02	lock nut M 6		2	
	GRV	prime coated									
7	993 501 061 00	interior panel	/L	1	CABRIO	-	993 504 371 00	support carbon canister	98	1	M 660
	GRV	prime coated									
(7)	993 501 062 00	interior panel	/R	1	CABRIO	-	999 084 629 09	nut M 6	98	4	M 660
	GRV	prime coated									
(7)	993 501 061 01	interior panel	/L	1	TARGA						
	GRV	prime coated									
(7)	993 501 062 01	interior panel	/R	1	TARGA						
	GRV	prime coated									
8	964 501 465 60	convertible top support	/L	1	CABRIO						
	GRV	prime coated									
(8)	964 501 466 60	convertible top support	/R	1	CABRIO						
	GRV	prime coated									
(8)	993 501 465 00	convertible top support	/L	1	TARGA						
	GRV	prime coated									
(8)	993 501 466 00	convertible top support	/R	1	TARGA						
	GRV	prime coated									
9	964 502 465 60	insert	/L	1							
	GRV	prime coated									
(9)	964 502 466 60	insert	/R	1							
	GRV	prime coated									
10	964 504 610 00	rubber sleeve for oil hose		1							
-	000 043 172 00	sealing cord roller with 10 meters \$ 9 MM		*							
11	-	250 MM		1							
12	964 572 565 00	cover for cars without air conditioner		1							

Model	Year	MG	SG	Illustration	Restrictions	Update	17:50	23.08.2006	PORSCHE	PET	PORSCHE
993	98	8	01	801-40		203					

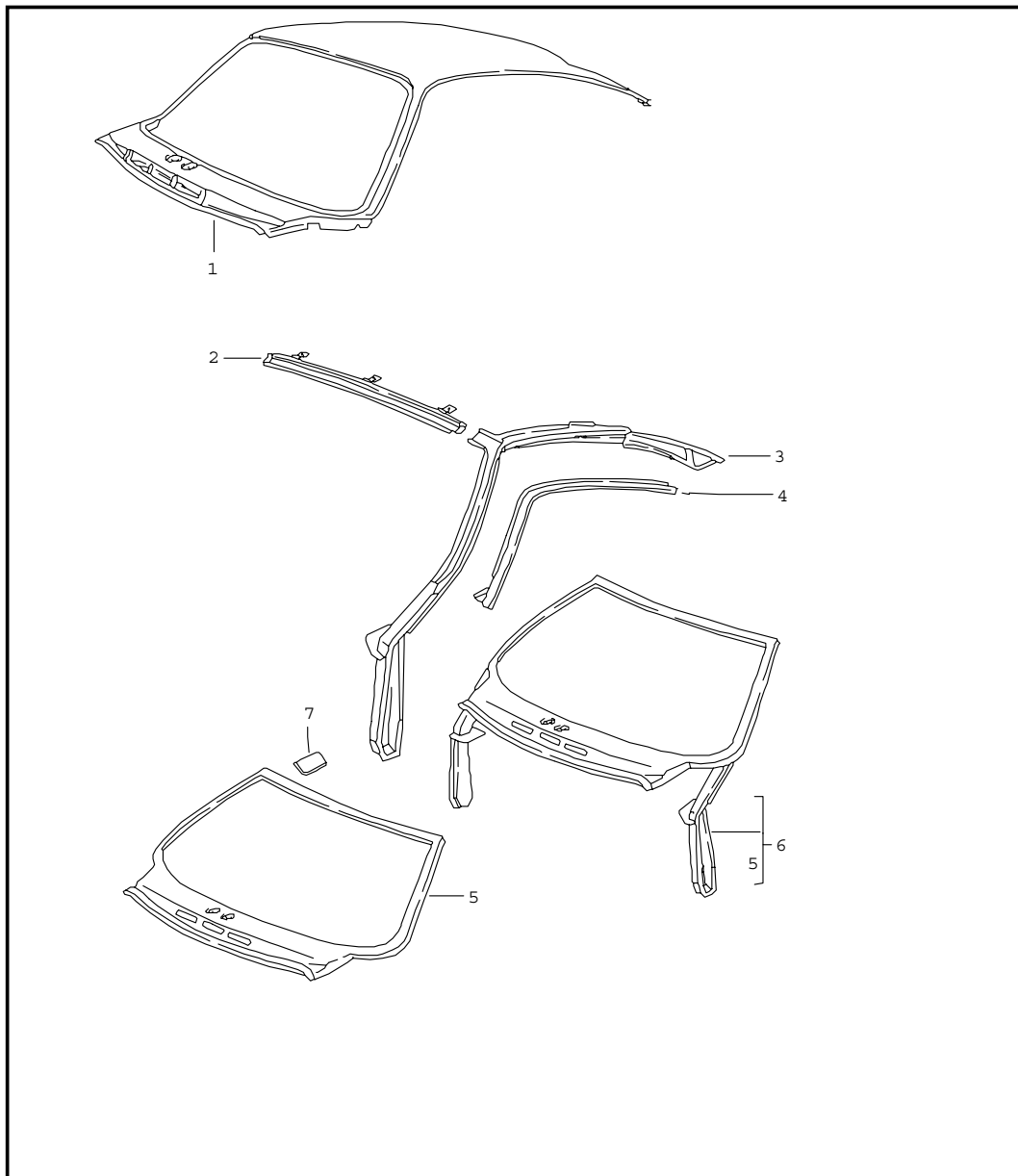


Pos	Part Number	Name	Remarks	Qty	Model
		wing front			
1	993 503 031 00	wing	/L	1	
	GRV	prime coated see technical information group 9 NR.4/95			
(1) A	993 503 032 00	wing	/R -95	1	
	GRV	prime coated see technical information group 9 NR.4/95			
(1)	993 503 032 06	wing	/R 96-	1	
	GRV	prime coated			
(1)	993 503 031 02	wing	/L	1	TURBO M 491, M 495
	GRV	prime coated see technical information group 9 NR.4/95			
(1) A	993 503 032 02	wing	/R -95	1	TURBO M 491, M 495
	GRV	prime coated see technical information group 9 NR.4/95			
(1)	993 503 032 08	wing	/R 96-	1	TURBO M 491, M 495
	GRV	prime coated			
(1)	993 503 031 04	wing	/L	1	CARRERA RS
	GRV	prime coated			
(1)	993 503 032 04	wing	/R	1	CARRERA RS
	GRV	prime coated			
2	000 043 129 00	sealing strap 25 X 2 MM		X	

Model	Year	MG	SG	Illustration	Restrictions	Update	17:50	23.08.2006	PORSCHE	PET	PORSCHE
993	98	8	01	801-40		203					

Pos	Part Number	Name	Remarks	Qty	Model	Pos	Part Number	Name	Remarks	Qty	Model
3	999 450 007 02	screw B 6,3 X 16		40		21	993 504 735 00	support		2	
4	999 591 327 02	speed nut B 6,3		8			GRV	prime coated			
5	964 201 279 00	protective flap		1		22	993 504 745 00	support	/R	1	
6	999 919 089 07	screw B 5 X 16		4			GRV	prime coated			
7	964 201 267 01	sleeve		1		23	999 025 904 02	washer 6,4 X 20 X 3		4	
8	993 201 030 01	cup		1		24	N 014 740 2	pan-head screw M 6 X 16		4	
9	964 201 507 00	cover for filler neck water reservoir		1		25	999 507 468 00	speed nut ST 6,3		31	
10	900 085 011 07	cap nut M 5		3		26	993 503 331 00	wing joining plate	/L	1	TURBO M 491,M 495
11	900 151 027 07	washer B 3,5 X 15 X 1,6		3		(26)	993 503 332 00	wing joining plate	/R	1	TURBO M 491,M 495
12	993 504 033 01	cover		1			GRV	prime coated			
		GRV									
13 A	993 201 167 02	latch		1							
13	993 201 167 02	latch		1							
14	964 201 675 00	grommet		1							
15	993 504 507 00	guide tube		1							
16	993 504 337 00	lid-release cable		1							
17	999 209 004 40	grommet		1							
18	901 552 822 00	knob		1							
19	993 503 393 00	wing seal		2							
20 A	993 504 781 00	supporting plate		1							
		GRV									
		prime coated for water reservoir									
20	993 504 781 01	supporting plate		1							
		GRV									
		prime coated for water reservoir									
								- - - E N D - - -			

Model	Year	MG	SG	Illustration	Restrictions	Update	17:50	23.08.2006	PORSCHE	PET	PORSCHE
993	98	8	01	801-45		203					

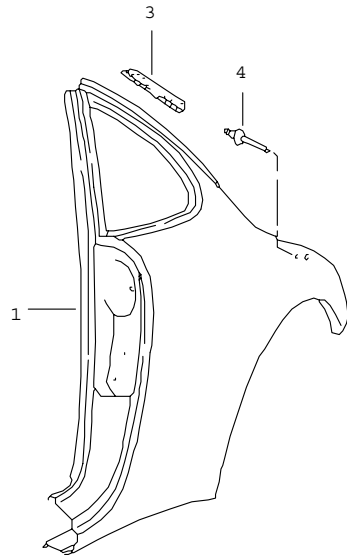


Pos	Part Number	Name	Remarks	Qty	Model
1	A 993 503 087 00	outer roof panel windscreen frame		1	COUPE
	GRV	prime coated			
1	A 993 503 087 03	outer roof panel		1	COUPE, M 650
	GRV	prime coated			
(1)	993 503 087 05	outer roof panel		1	COUPE
	GRV	prime coated			
(1)	993 503 087 06	outer roof panel		1	COUPE, M 650
	GRV	prime coated			
2	993 502 143 00	cross piece for windscreen		1	COUPE, M 650
	GRV	prime coated for cars without sunroof it is necessary to rework			
3	993 502 029 00	roof frame	/L	1	COUPE
	GRV	prime coated			
(3)	993 502 030 00	roof frame	/R	1	COUPE
	GRV	prime coated			
4	993 502 551 00	metal sheet to bend	/L	1	COUPE
	GRV	prime coated			
(4)	993 502 552 00	metal sheet to bend	/R	1	COUPE
	GRV	prime coated			
5	993 503 087 02	windscreen frame		1	CABRIO
	GRV	prime coated exterior panelling			
(5)	993 503 087 04	windscreen frame		1	TARGA
	GRV	prime coated exterior panelling			
6	993 503 987 00	windscreen frame		1	CABRIO
	GRV	prime coated			
(6)	993 503 987 01	windscreen frame		1	TARGA

Model	Year	MG	SG	Illustration	Restrictions	Update					
993	98	8	01	801-45		203	17:50	23.08.2006	PORSCHE	PET	PORSCHE

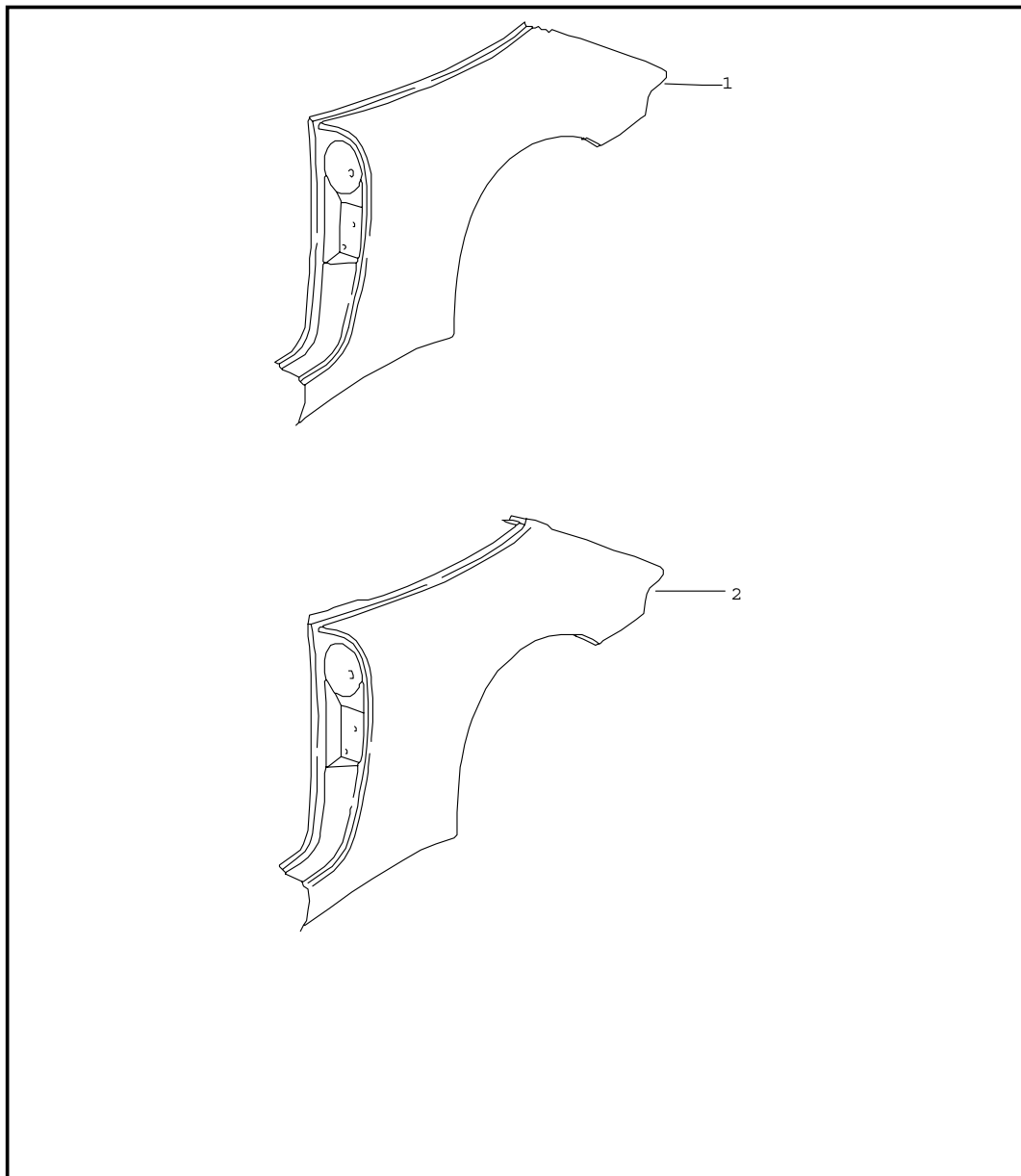
Pos	Part Number	Name	Remarks	Qty	Model	Pos	Part Number	Name	Remarks	Qty	Model
		GRV prime coated									
(7)	993 504 705 01	cover	/L	1	TARGA						
		G2X prime coated									
7	993 504 706 01	cover	/R	1	TARGA						
		G2X prime coated									
		- - - E N D - - -									

Model	Year	MG	SG	Illustration	Restrictions	Update	17:50	23.08.2006	PORSCHE	PET	PORSCHE
993	98	8	01	801-55		203					



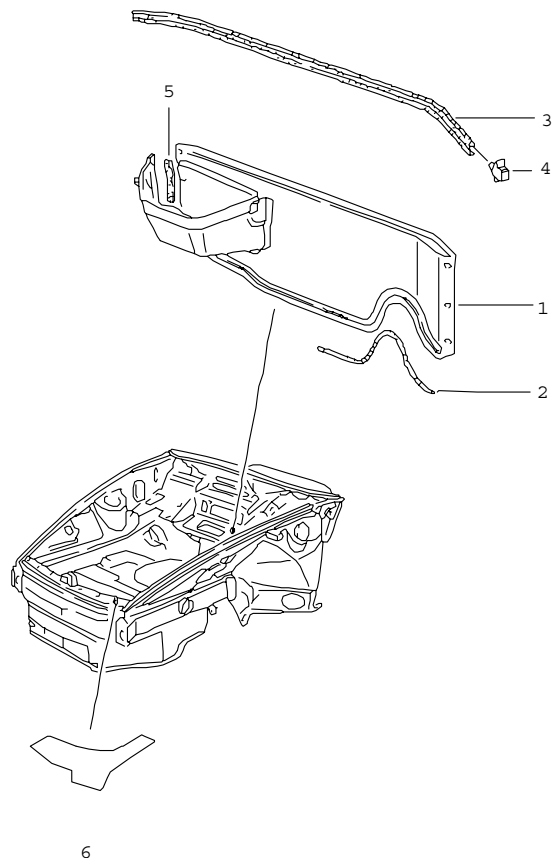
Pos	Part Number	Name	Remarks	Qty	Model
		side section			COUPE
1	993 503 901 00	side section	/L	1	
	GRV	prime coated			
(1)	993 503 902 00	side section	/R	1	
	GRV	prime coated			
(1)	993 503 901 02	side section	/L	1	TURBO M 491, M 495
	GRV	prime coated			
(1)	993 503 902 02	side section	/R	1	TURBO M 491, M 495
	GRV	prime coated			
3	993 504 847 00	seal	/L	1	
3 A	993 504 847 00	seal	/L	1	
(3)	993 504 848 00	seal	/R	1	
4	999 507 509 40	expansion rivet		4	M 491, M 495
		- - - E N D - - -			

Model	Year	MG	SG	Illustration	Restrictions	Update	17:50	23.08.2006	PORSCHE	PET	PORSCHE
993	98	8	01	801-60		203					



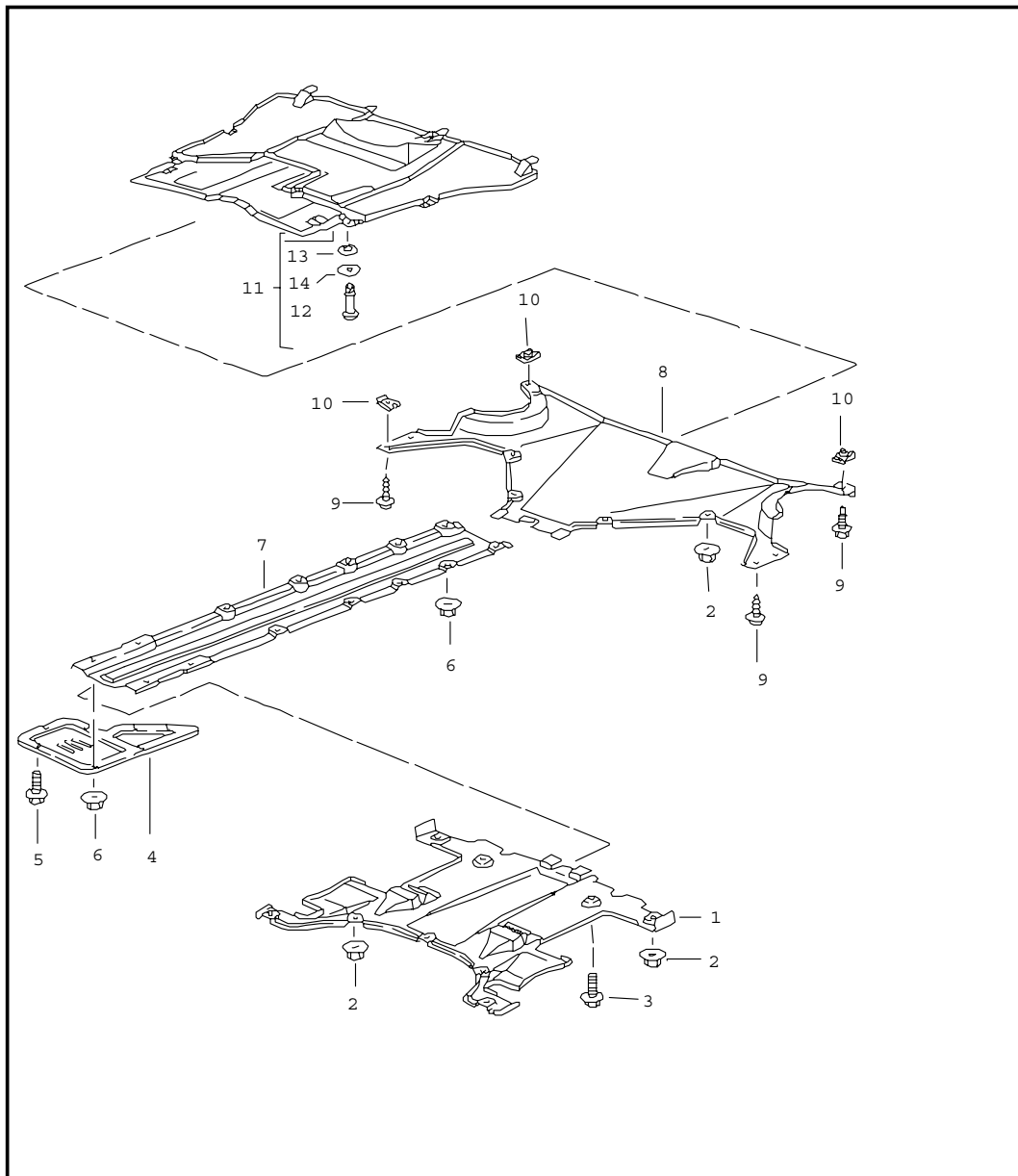
Pos	Part Number	Name	Remarks	Qty	Model
		side section			CABRIO/TARGA
1	A 993 503 901 01	side section	/L	1	CABRIO
	GRV	prime coated see workshop manual			
(1)	A 993 503 902 01	side section	/R	1	CABRIO
	GRV	prime coated see workshop manual			
2	993 503 901 04	side section	/L	1	CABRIO
	GRV	prime coated			
(2)	993 503 902 04	side section	/R	1	CABRIO
	GRV	prime coated			
2	993 503 901 03	side section	/L	1	TARGA
	GRV	prime coated			
(2)	993 503 902 03	side section	/R	1	TARGA
	GRV	prime coated			
		- - - E N D - - -			

Model	Year	MG	SG	Illustration	Restrictions	Update	17:51	23.08.2006	PORSCHE	PET	PORSCHE
993	98	8	01	801-65		203					



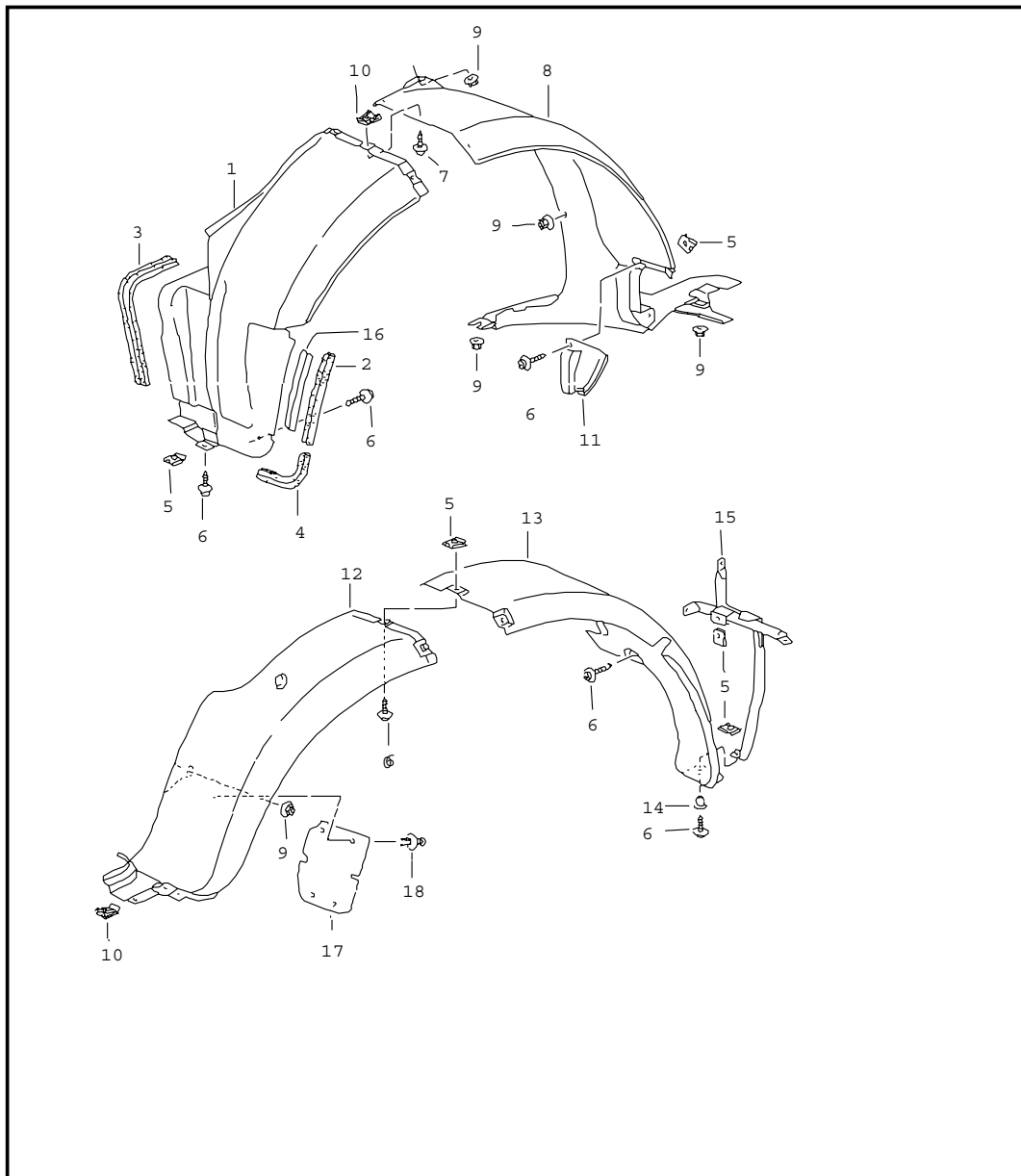
Pos	Part Number	Name	Remarks	Qty	Model
		cross panel for body front section			
1	993 504 051 00	cross panel	/LL	1	
		GRV prime coated			
(1)	993 504 052 00	cross panel	/RL	1	
		GRV prime coated			
2	964 504 525 00	gasket		1	
3	993 504 631 00	gasket		1	
4	993 504 521 00	end piece		2	
5	999 911 041 00	beading		1	
6	993 559 385 00	cover foil	/L	1	
(6)	993 559 386 00	cover foil	/R	1	
		- - - E N D - - -			

Model	Year	MG	SG	Illustration	Restrictions	Update	17:51	23.08.2006	PORSCHE	PET	PORSCHE
993	98	8	01	801-70		203					



Pos	Part Number	Name	Remarks	Qty	Model
		cover for underbody			
1	964 504 127 01	cover front		1	
1	964 504 127 00	cover front F >>99SS3 10910 F >>99SS3 30297	95-	1	M 339
(1)	993 504 127 00	cover front F 99SS3 10911>> F 99SS3 30298>>	95-	1	M 339
2	999 049 022 40	plastic nut T5		11	
3	900 075 413 09	screw M 6 X 16		8	
4	964 504 231 00	cover	/LL	1	
(4)	964 504 232 00	cover	/RL	1	
5	900 075 393 02	screw M 6 X 12		6	
6	900 377 001 07	hexagon nut M 6		16	
7	993 504 043 00	cover centre		1	
8	993 504 129 00	cover		1	
9	900 143 159 07	combination tapping screw B 4,8 X 19		10	
10	999 591 699 02	speed nut B 4,8		10	
11	993 331 080 02	cover		1	M 480
(11)	993 331 081 02	cover		1	M 249
12	999 590 034 09	locking bolt		5	
13	999 507 412 08	spring washer		5	
14	999 590 035 40	washer		5	
		- - - E N D - - -			

Model	Year	MG	SG	Illustration	Restrictions	Update	17:51	23.08.2006	PORSCHE	PET	PORSCHE
993	98	8	01	801-75		203					

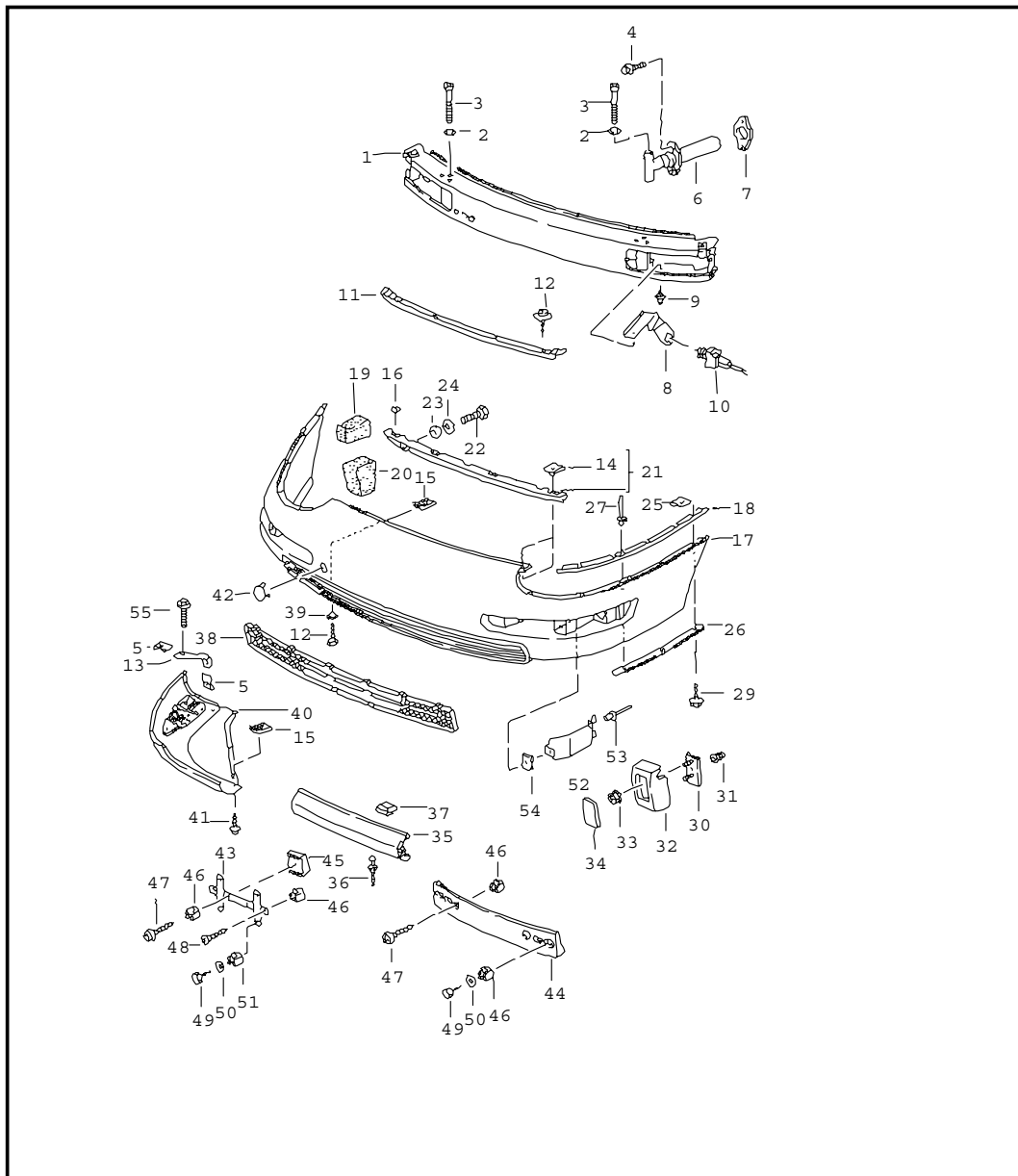


Pos	Part Number	Name	Remarks	Qty	Model
		cover for wheel housing			
1	993 504 125 00	wheel-housing liner	/V/L	1	
(1)	993 504 126 00	wheel-housing liner	/V/R	1	
(1)	993 504 125 01	wheel-housing liner	/V/L	1	TURBO M491, M 495 CARRERA RS
(1)	993 504 126 01	wheel-housing liner	/V/R	1	TURBO M 491, M 495 CARRERA RS
-	999 911 398 40	protective edging 550 MM		X	
2	-	250 MM		2	
2	-	510 MM		2	TURBO M 491, M 495
3	-	370 MM		2	
4	-	225 MM		2	
5	999 591 699 02	speed nut B 4,8		12	
6	900 143 159 07	screw B 4,8 X 19		12	
7	900 143 113 07	tapping screw B 4,2 X 13		4	
8	993 504 203 00	wheel-housing liner	/V/L	1	TURBO M 491, M 495
(8)	993 504 204 00	wheel-housing liner	/V/R	1	TURBO M 491, M 495
-	951 201 147 05	plastic foam strip		2	
9	999 049 022 40	plastic nut		12	
10	999 591 850 02	speed nut B 4,2		6	
11	993 504 219 02	cover	/L	1	
(11)	993 504 220 00	cover	/R	1	
(11)	993 504 219 01	cover	/L	1	TURBO M 491, M 495

Model	Year	MG	SG	Illustration	Restrictions	Update	17:51	23.08.2006	PORSCHE	PET	PORSCHE
993	98	8	01	801-75		203					

Pos	Part Number	Name	Remarks	Qty	Model	Pos	Part Number	Name	Remarks	Qty	Model
(11)	993 504 220 01	cover	/R	1	TURBO M 491,M 495						
12	A 993 504 461 00	wheel-housing liner	/H/L	1							
12	993 504 461 03	wheel-housing liner	/H/L -96	1							
12	993 504 461 03	wheel-housing liner	/H/L 97-	1							
(12)	A 993 504 462 02	wheel-housing liner	/H/R	1							
(12)	993 504 462 02	wheel-housing liner	/H/R	1							
(12)	A 993 504 461 04	wheel-housing liner	/H/L	1	TURBO M 491,M 495						
(12)	993 504 461 04	wheel-housing liner	/H/L	1	TURBO M 491,M 495						
(12)	993 504 462 01	wheel-housing liner	/H/R	1	TURBO M 491,M 495						
13	993 504 463 00	wheel-housing liner	/H/L	1							
(13)	993 504 464 00	wheel-housing liner	/H/R	1							
(13)	993 504 463 01	wheel-housing liner	/H/L	1	TURBO M 491,M 495						
(13)	993 504 464 01	wheel-housing liner	/H/R	1	TURBO M 491,M 495						
14	944 503 255 00	spacer		2							
15	-	support tube see group 8/02/05		1							
16	993 505 795 00	reinforcement	94	2							
17	993 504 481 00	cover		2	CARRERA RS						
18	999 507 427 40	expander nut 6,3		8	CARRERA RS						
		- - - E N D - - -									

Model	Year	MG	SG	Illustration	Restrictions	Update	17:51	23.08.2006	PORSCHE	PET	PORSCHE
993	98	8	02	802-00		203					



Pos	Part Number	Name	Remarks	Qty	Model
1	993 505 011 00	bumper front bumper reinforcement		1	
2	900 025 009 02	washer A 13		2	
3	900 067 084 02	pan-head screw M 12 X 110		2	
4	900 075 457 02	screw M 8 X 30		4	
5	999 591 699 02	speed nut B 4,8		4	
6	A 993 505 016 01	impact absorber	-95	2	M 058
6	993 505 016 01	impact absorber	96-	2	M 058
(6)	A 993 505 017 00	impact pipe		2	
(6)	993 505 017 00	impact pipe		2	
7	996 505 775 00	desk pad		2	
7	993 505 775 00	desk pad		2	M 058
8	993 505 725 01	support	-94	1	
(8)	993 505 725 01	support	95-	1	
9	999 190 114 30	blind rivet A 3,2 X 9,7		1	
10	928 641 142 00	outer sensor		1	
11	993 505 143 01	sealing strip black		1	
12	900 143 159 07	tapping screw B 4,8 X 19		4	
(13)	993 505 793 00	support	/L	1	
13	993 505 794 00	support	/R	1	
14	999 507 442 02	speed nut 4,8		6	
15	999 591 699 02	speed nut B 4,8		8	
16	900 145 092 07	tapping screw B 4,8 X 22		2	

Model	Year	MG	SG	Illustration	Restrictions	Update	17:51	23.08.2006	PORSCHE	PET	PORSCHE
993	98	8	02	802-00		203					

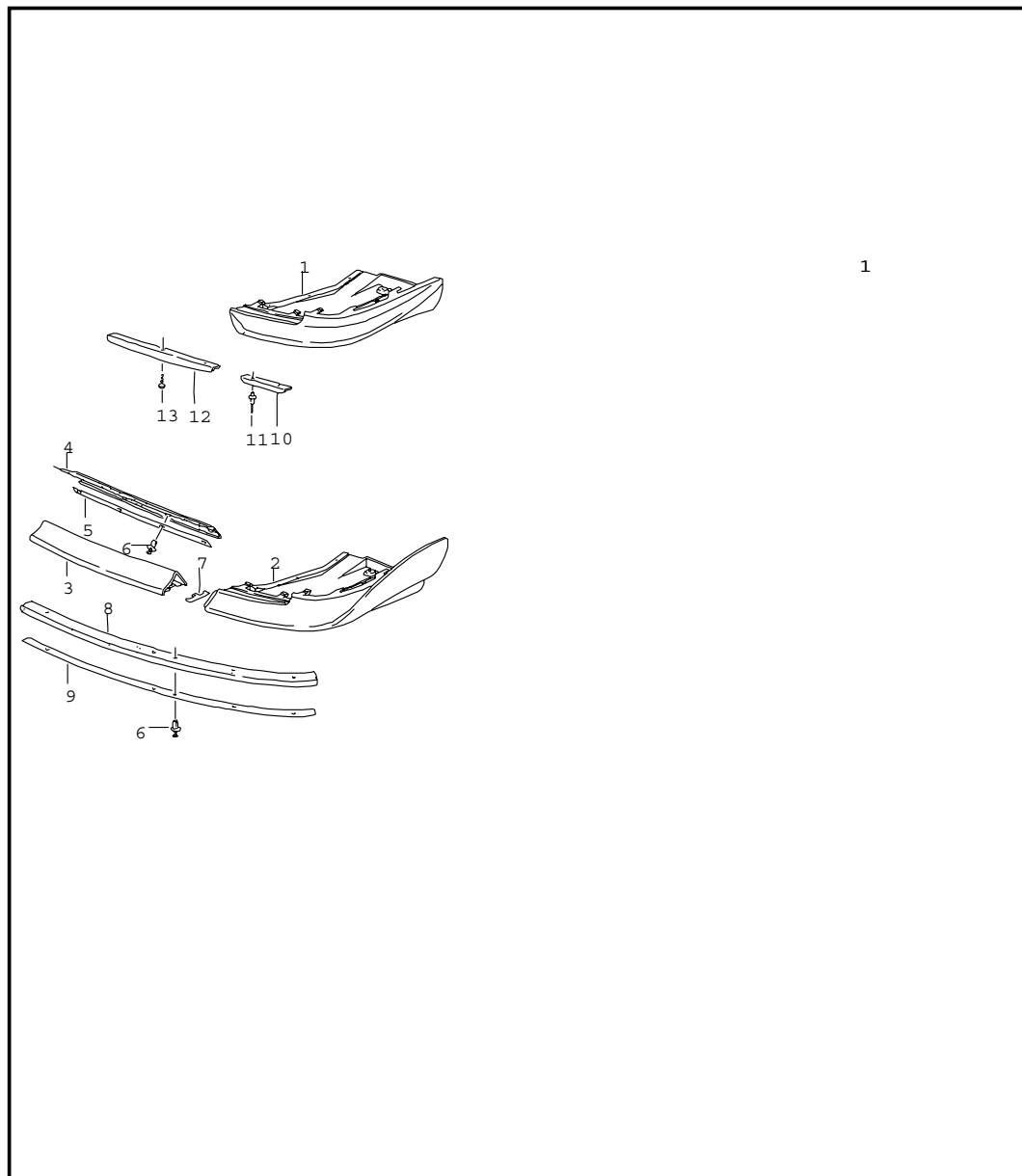
Pos	Part Number	Name	Remarks	Qty	Model	Pos	Part Number	Name	Remarks	Qty	Model
(17)	993 505 311 00	lining		1		34	993 505 763 00	cap	/L	1	(SA)
	G2X	prime coated					01C	satin black			
17	993 505 311 01	lining		1	(SA)	(34)	993 505 764 00	cap	/R	1	(SA)
	G2X	prime coated					01C	satin black			
18	993 505 543 00	pipng	/L	1		35	993 505 737 00	retaining strip		1	
(18)	993 505 544 00	pipng	/R	1		36	999 190 114 30	blind rivet A 3,2 X 9,7		3	
19	993 575 740 00	sealing wedge		1	M 573	37	999 651 152 02	cable clamp		4	
20	993 575 738 00	sealing wedge		1	M 573	38	993 505 551 00	ventilation grille		1	
21	993 505 531 00	retaining strip		1		39	951 505 157 00	spacer		6	
22	900 075 260 02	hexagon-head bolt M 6 X 16		4		(40)	993 505 521 01	lower part	/L	1	
23	N 011 666 7	washer A 6,4		4			G2X	prime coated			
24	999 704 150 40	washer 6,4 X 16 X 1,5		4		40	993 505 522 01	lower part	/R	1	
							G2X	prime coated			
25	999 591 485 02	speed nut B 4,8		6		41	900 187 103 02	screw B 4,8 X 16		2	
26 A	993 505 735 01	retaining strip		2		42	964 505 103 00	cap		1	
26	993 505 735 01	retaining strip		2			G2X	prime coated			
27	999 190 104 30	blind rivet A 3,2 X 7,9		2		-	999 651 225 40	safety rope		1	
29	900 187 145 02	screw B 4,8 X 22		6				number plate mount			
30	993 505 385 00	mounting	/L	1	(SA)	(43)	911 701 121 03	support		1	
(30)	993 505 386 00	mounting	/R	1	(SA)	44	993 701 105 00	support		1	
31	999 500 059 02	nut M 5		2	(SA)	45	993 701 801 00	spacer	/L	1	
32	993 505 357 00	protective bar	/L	1	(SA)	(45)	993 701 802 00	spacer	/R	1	
	01C	satin black				46	999 507 040 40	expander nut		4	
(32)	993 505 358 00	protective bar	/R	1	(SA)	47	900 143 151 02	combination tapping screw B 4,2 X 16		2	
	01C	satin black				48	900 145 012 07	counters. head tapp. screw B 4,2 X 32		2	
33	900 377 009 07	hexagon nut M 5		4	(SA)	49	900 143 134 00	tapping screw B 4,2 X 9,5		4	

Model	Year	MG	SG	Illustration	Restrictions	Update	17:51	23.08.2006	PORSCHE	PET	PORSCHE
993	98	8	02	802-00		203					

Pos	Part Number	Name	Remarks	Qty	Model	Pos	Part Number	Name	Remarks	Qty	Model
50	900 025 024 40	washer A 4,3		4							
51	999 591 498 40	special nut		4							
52	993 631 181 00	retaining bow	/L	1							
(52)	993 631 182 00	retaining bow	/R	1							
53	999 190 104 30	blind rivet A 3,2 X 7,9		2							
54	999 591 764 02	speed nut B 4,2		2							
55	900 187 103 02	screw 4,8 X 16		2							
		- - - E N D - - -									

Model	Year	MG	SG	Illustration	Restrictions	Update	17:52	23.08.2006	PORSCHE	PET	PORSCHE
993	98	8	02	802-02		203					

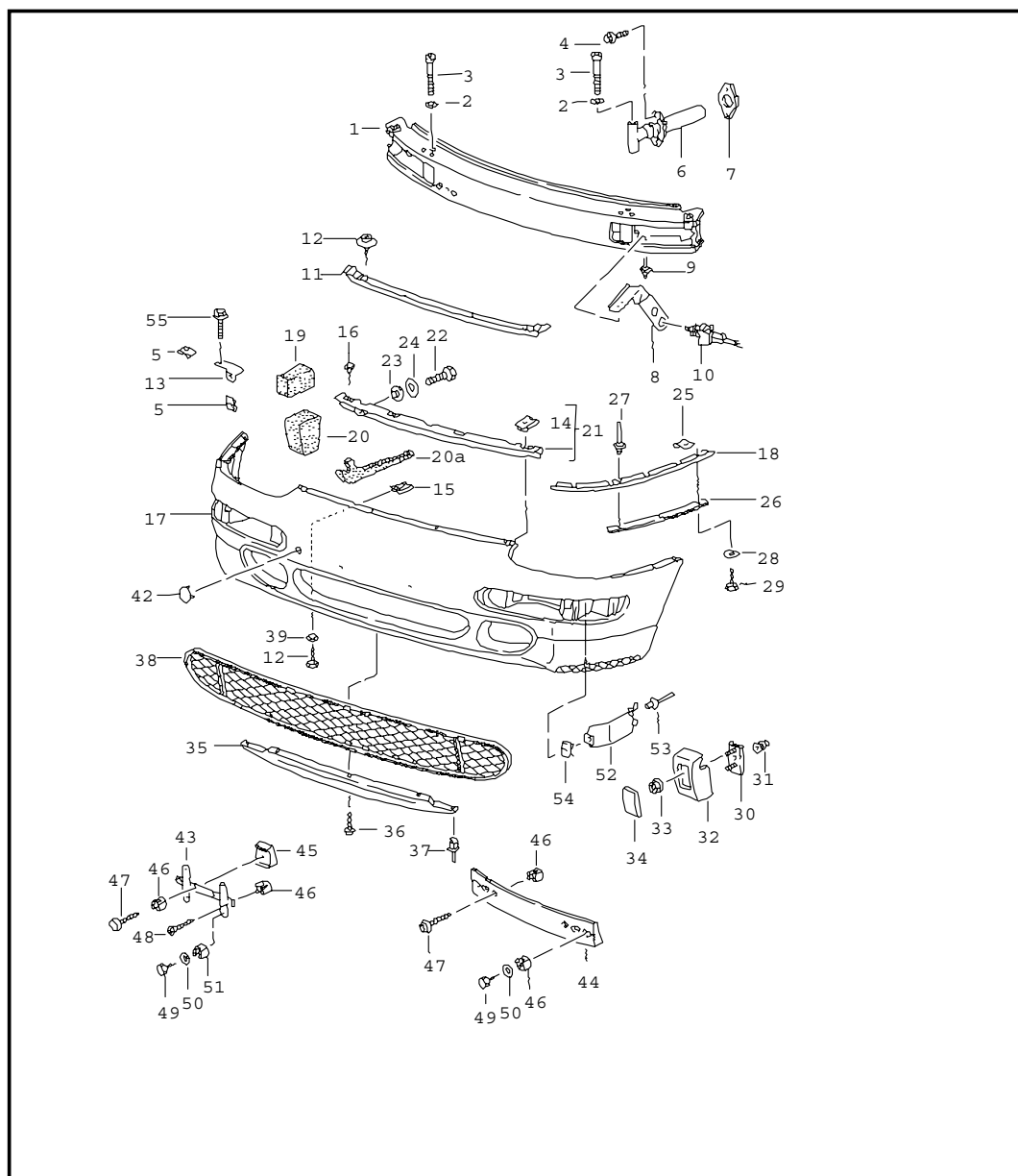
Pos	Part Number	Name	Remarks	Qty	Model
		front spoiler			CARRERA RS
1	993 505 521 02	spoiler	/L	1	M 002
	G2X	prime coated			
(1)	993 505 522 02	spoiler	/R	1	M 002
	G2X	prime coated			
2	993 505 521 04	spoiler	/L	1	M 003
	G2X	prime coated			
(2)	993 505 522 04	spoiler	/R	1	M 003
	G2X	prime coated			
3	993 505 519 01	spoiler centre part		1	M 003
	G2X	prime coated			
4	993 505 539 00	cover		1	M 003
5	993 505 549 00	reinforcement plate		1	M 003
6	999 507 427 40	expander nut 6,3		13	M 003
7	993 505 719 00	retaining bracket		2	M 003
-	999 507 439 02	speed nut ST 4,2		2	M 003
-	999 073 080 02	tapping screw ST 4,2 X 16		2	M 003
8	993 505 537 00	spoiler		1	M 003
9	993 505 547 00	reinforcement plate		1	M 003
10	993 505 525 01	spoiler	/L	1	M 002
(10)	993 505 526 01	spoiler	/R	1	M 002
11	999 190 408 30	blind rivet A 4,0 X 18,8		4	M 002
12	993 505 523 01	spoiler centre		1	M 002
13	999 073 081 02	tapping screw ST 4,2 X 13		3	M 002
14	993 505 723 00	reinforcement		2	M 003



Model	Year	MG	SG	Illustration	Restrictions	Update	17:52	23.08.2006	PORSCHE	PET	PORSCHE
993	98	8	02	802-02		203					

Pos	Part Number	Name	Remarks	Qty	Model	Pos	Part Number	Name	Remarks	Qty	Model
15	999 190 374 30	blind rivet 4,8 X 10,9		6	M 003						
16	900 187 103 02	tapping screw 4,8 X 16		6							
17	944 503 255 00	spacer		6							
18	900 187 141 09	screw 4,8 X 25		4	M 003						
19	999 703 428 40	plug 32 \$		6	M 003						
20	999 591 699 02	speed nut 4,8		10							
		- - - E N D - - -									

Model	Year	MG	SG	Illustration	Restrictions	Update	17:52	23.08.2006	PORSCHE	PET	PORSCHE
993	98	8	02	802-03		203					



Pos	Part Number	Name	Remarks	Qty	Model
		bumper front			TURBO M 491, M 495
1	993 505 011 00	bumper reinforcement		1	
2	900 025 009 02	washer A 13		2	
3	900 067 084 02	pan-head screw M 12 X 110		2	
4	900 075 457 02	screw M 8 X 30		4	
5	999 591 699 02	speed nut B 4,8		4	
6 A	993 505 016 01	impact absorber	-95	2	M 058
6	993 505 016 01	impact absorber	96-	2	M 058
(6)	993 505 017 00	impact pipe		2	
7	993 505 775 00	desk pad		2	
8	993 505 725 01	support		1	
9	999 190 114 30	blind rivet A 3,2 X 9,7		2	
10	928 641 142 00	outer sensor		1	
11	993 505 143 01	sealing strip 70B black		1	
12	900 143 159 07	tapping screw B 4,8 X 19		4	
(13)	993 505 793 01	support	/L	1	
13	993 505 794 01	support	/R	1	
14	999 507 442 02	speed nut 4,8		6	
15	999 591 699 02	speed nut B 4,8		8	
16	900 145 092 07	tapping screw B 4,8 X 22		2	
(17)	993 505 311 02	lining		1	
	G2X	prime coated			
17	993 505 311 03	lining		1	(SA)

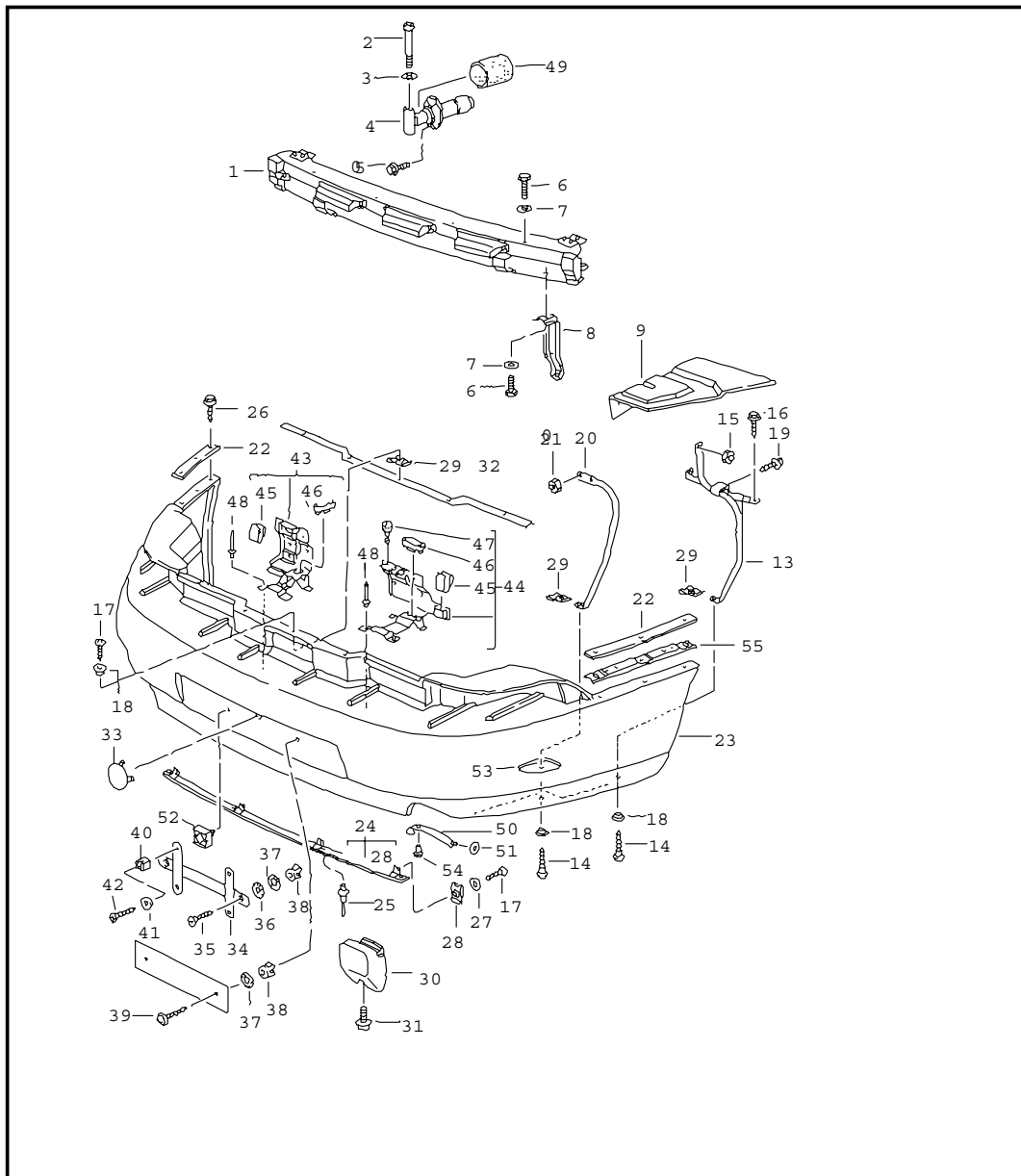
Model	Year	MG	SG	Illustration	Restrictions	Update	17:52	23.08.2006	PORSCHE	PET	PORSCHE
993	98	8	02	802-03		203					

Pos	Part Number	Name	Remarks	Qty	Model	Pos	Part Number	Name	Remarks	Qty	Model
	G2X	prime coated					01C	satin black			
18	993 505 543 00	pipng	/L	1		35	993 505 523 00	spoiler		1	
(18)	993 505 544 00	pipng	/R	1			01C	satin black			
19	993 575 740 00	sealing wedge		1	M 573	36	999 073 081 02	tapping screw ST 4,2 X 13		3	
20	993 575 738 00	sealing wedge		1	M 573						
20A	993 575 772 00	sealing wedge lower		2		37	999 507 499 40	expansion rivet 5,0 X 11,5		2	
21	993 505 531 00	retaining strip		1		38	993 505 551 01	ventilation grille		1	
22	900 075 260 02	hexagon-head bolt M 6 X 16		4		39	951 505 157 00	spacer		6	
23	N 011 666 7	washer A 6,4		4		42	964 505 103 00	cap		1	
24	999 704 150 40	washer 6,4 X 16 X 1,5		4			G2X	prime coated			
25	999 591 485 02	speed nut B 4,8		6		-	999 651 225 40	safety rope		1	
26	993 505 735 01	retaining strip		2		(43)	911 701 121 03	support		1	
27	999 190 104 30	blind rivet A 3,2 X 7,9		2		44	993 701 105 00	support		1	
29	900 187 145 02	tapping screw B 4,8 X 22		6		45	993 701 801 00	spacer	/L	1	
30	993 505 385 00	mounting	/L	1	(SA)	(45)	993 701 802 00	spacer	/R	1	
(30)	993 505 386 00	mounting	/R	1	(SA)	46	999 507 040 40	expander nut		4	
31	999 500 059 02	nut M 5		2	(SA)	47	900 143 151 02	combination tapping screw B 4,2 X 16		2	
32	993 505 357 00	protective bar	/L	1	(SA)	48	900 145 012 07	counters. head tapp. screw B 4,2 X 32		2	
	01C	satin black				49	900 143 134 00	tapping screw B 4,2 X 9,5		4	
(32)	993 505 358 00	protective bar	/R	1	(SA)	50	900 025 024 40	washer A 4,3		4	
	01C	satin black				51	999 591 498 40	special nut		4	
33	900 377 009 07	hexagon nut M 5		4	(SA)	52	993 631 181 00	retaining bow	/L	1	
34	993 505 763 00	cap	/L	1	(SA)	(52)	993 631 182 00	retaining bow	/R	1	
	01C	satin black				53	999 190 104 30	blind rivet A 3,2 X 7,9		2	
(34)	993 505 764 00	cap	/R	1	(SA)	54	999 591 764 02	speed nut B 4,2		2	
						55	900 187 103 02	screw 4,8 X 16		2	

Model	Year	MG	SG	Illustration	Restrictions	Update					
993	98	8	02	802-03		203	17:52	23.08.2006	PORSCHE	PET	PORSCHE

Pos	Part Number	Name	Remarks	Qty	Model	Pos	Part Number	Name	Remarks	Qty	Model
		- - - E N D - - -									

Model	Year	MG	SG	Illustration	Restrictions	Update	17:52	23.08.2006	PORSCHE	PET	PORSCHE
993	98	8	02	802-05		203					



Pos	Part Number	Name	Remarks	Qty	Model
1	993 505 021 02	bumper reinforcement		1	
1	993 505 021 02	bumper reinforcement		1	TURBO M 491, M 495
2	900 067 084 02	pan-head screw M 12 X 110		2	
3	900 025 009 02	washer A 13		2	
4	928 505 015 22	impact absorber	-95	2	M 058
4	996 505 015 00	impact absorber	96-	2	M 058
(4)	993 505 019 00	impact pipe		2	
5	900 075 457 02	screw M 8 X 30		4	
6	900 278 025 02	hexagon-head bolt M 5 X 12		6	
7	900 151 027 02	washer A 5,3		6	
8	993 505 639 00	rear support		2	
(8)	993 505 639 01	rear support		2	TURBO M 491, M 495
(9)	993 504 115 00	support	/L	1	
	GRV	prime coated			
9	993 504 116 00	support	/R	1	
	GRV	prime coated			
(9)	993 504 115 01	support	/L	1	TURBO M 491, M 495
	GRV	prime coated			
(9)	993 504 116 01	support	/R	1	TURBO M 491, M 495
	GRV	prime coated			
10	N 011 666 7	washer B 6,4		4	
11	900 076 010 02	hexagon nut M 6		4	

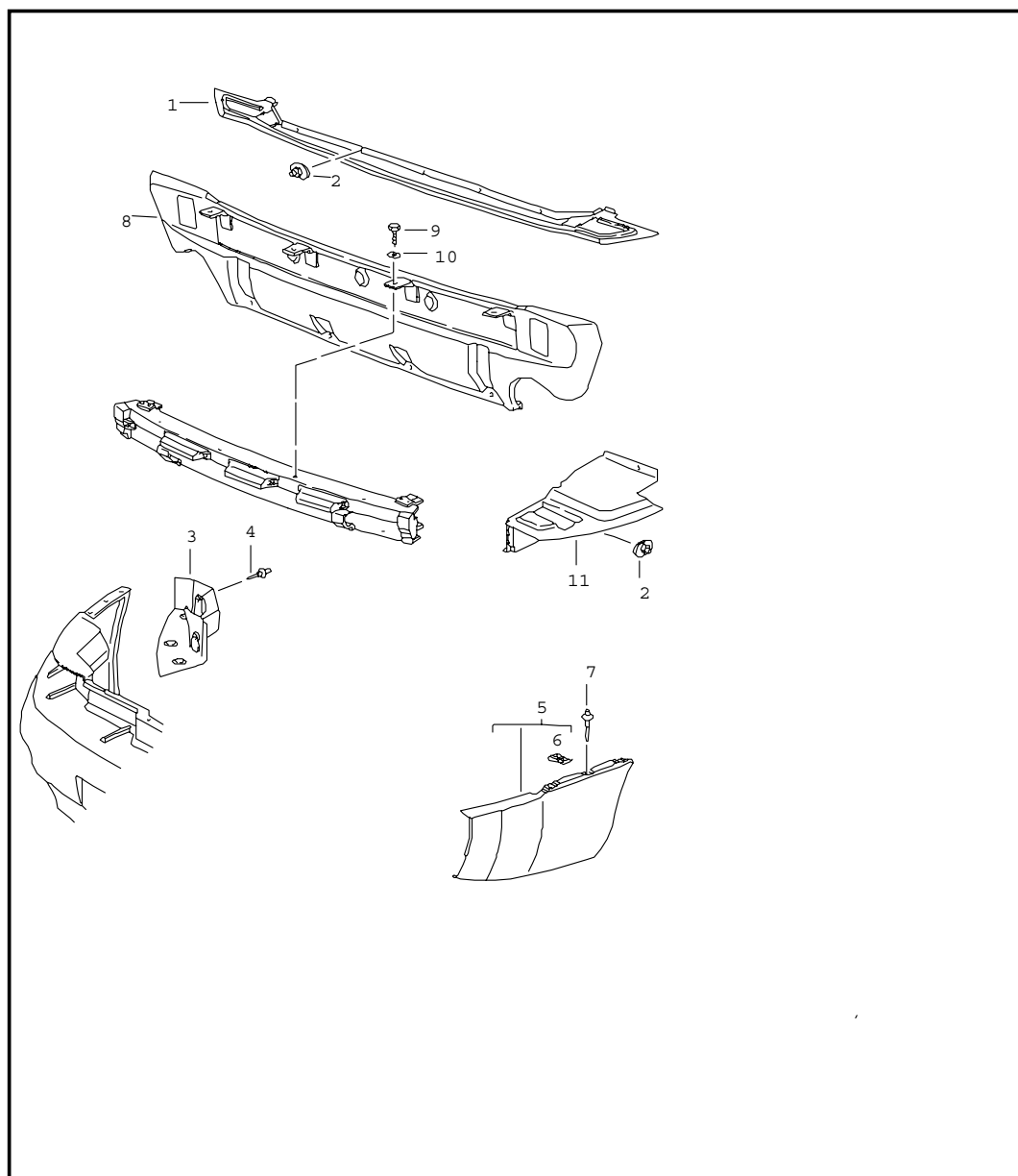
Model	Year	MG	SG	Illustration	Restrictions	Update	17:52	23.08.2006	PORSCHE	PET	PORSCHE
993	98	8	02	802-05		203					

Pos	Part Number	Name	Remarks	Qty	Model	Pos	Part Number	Name	Remarks	Qty	Model
12	900 075 354 00	screw M 6 X 16		2		(22)	993 505 843 01	pipng	/L	1	TURBO M 491,M 495
13	993 505 641 03	support tube	/L -95	1			01C	satin black			
13	993 505 641 03	support tube	/L 96-	1		(22)	993 505 844 01	pipng	/R	1	TURBO M 491,M 495
(13)	993 505 642 03	support tube	/R -95	1			01C	satin black			
(13)	993 505 642 03	support tube	/R 96-	1		23	993 505 411 00	lining		1	
(13)	993 505 641 01	support tube	/L	1	TURBO M 491,M 495		G2X	prime coated			
(13)	993 505 642 01	support tube	/R	1	TURBO M 491,M 495	23	993 505 411 01	lining		1	(USA) (SA)
(13)	993 505 641 02	support tube	/L	1	CARRERA RS		G2X	prime coated			
(13)	993 505 642 02	support tube	/R	1	CARRERA RS	(23)	993 505 411 02	lining		1	TURBO M 491,M 495
14	999 073 064 02	tapping screw B 4,8 X 25		4			G2X	prime coated			
15	999 084 629 09	hexagon nut M 6		4		(23)	993 505 411 03	lining		1	TURBO M 491,M 495 (USA) (SA)
16	900 187 103 02	screw B 4,8 X 16		4			G2X	prime coated			
17	900 143 147 07	tapping screw B 4,8 X 16		11		24	993 505 633 00	retaining strip		1	
18	944 503 255 00	spacer		11		(24)	993 505 633 01	retaining strip		1	TURBO M 491,M 495
19	900 143 159 07	screw B 4,8 X 19		2		25	999 190 104 30	blind rivet A 3,2 X 7,9		4	
20	993 505 643 00	support tube	/L	1		26	900 187 141 09	screw B 4,8 X 25		6	
(20)	993 505 644 00	support tube	/R	1		27	999 025 243 02	washer 5 X 26 X 1		4	
(20)	993 505 643 01	support tube	/L	1	TURBO M 491,M 495	28	999 507 441 09	speed nut B 4,8		4	
(20)	993 505 644 01	support tube		1	TURBO M 491,M 495	29	999 507 023 02	speed nut B 4,8		5	
21	900 377 009 02	hexagon nut M 5		2		30	993 505 425 00	buffer	/L	1	(USA) (SA)
22	993 505 843 00	pipng	/L	1			01C	satin black			
	01C	satin black				30	993 505 426 00	buffer	/R	1	(USA) (SA)
(22)	993 505 844 00	pipng	/R	1			01C	satin black			
	01C	satin black									

Model	Year	MG	SG	Illustration	Restrictions	Update	17:52	23.08.2006	PORSCHE	PET	PORSCHE
993	98	8	02	802-05		203					

Pos	Part Number	Name	Remarks	Qty	Model	Pos	Part Number	Name	Remarks	Qty	Model
31	900 067 345 02	screw M 10 X 20		2	(USA) (SA)	53	993 505 624 00	protection cap		1	TURBO M 491,M 495
32	993 504 717 00	retaining strip		1		54	999 190 463 30	blind rivet 4 X 13		4	TURBO M 491,M 495
33	964 505 103 00	cap G2X prime coated		1		55	993 505 635 00	retaining strip lateral		2	
-	999 651 225 40	safety rope		1				- - - E N D - - -			
36	914 571 903 10	rubber washer		2							
37	999 025 235 40	rubber washer		2							
38	999 507 040 40	expander nut		2							
39	900 143 151 02	combination tapping screw B 4,2 X 16		2							
40	999 591 498 40	special nut		4							
41	900 025 024 40	washer		4							
42	900 143 134 00	tapping screw		4							
43	993 631 106 00	support centre		1							
(44)	993 631 107 00	support	/L	1							
44	993 631 108 00	support	/R	1							
45	944 628 181 00	retaining clip		3							
46	993 631 501 00	guide		3							
47	999 703 363 40	buffer		2							
48	999 190 408 30	blind rivet A 4,0 X 18,8		18							
49	999 623 001 00	heat protection		2	TURBO M 058						
(50)	993 505 611 00	heat protection	/L	1	TURBO						
50	993 505 612 00	heat protection	/R	1	TURBO						
51	999 166 051 08	clamping washer 4,0		6	TURBO						
52	993 701 805 00	spacer		2	TURBO M 491,M 495						
(53)	993 505 623 00	protection cap	/L	1	TURBO M 491,M 495						

Model	Year	MG	SG	Illustration	Restrictions	Update	17:52	23.08.2006	PORSCHE	PET	PORSCHE
993	98	8	02	802-10		203					

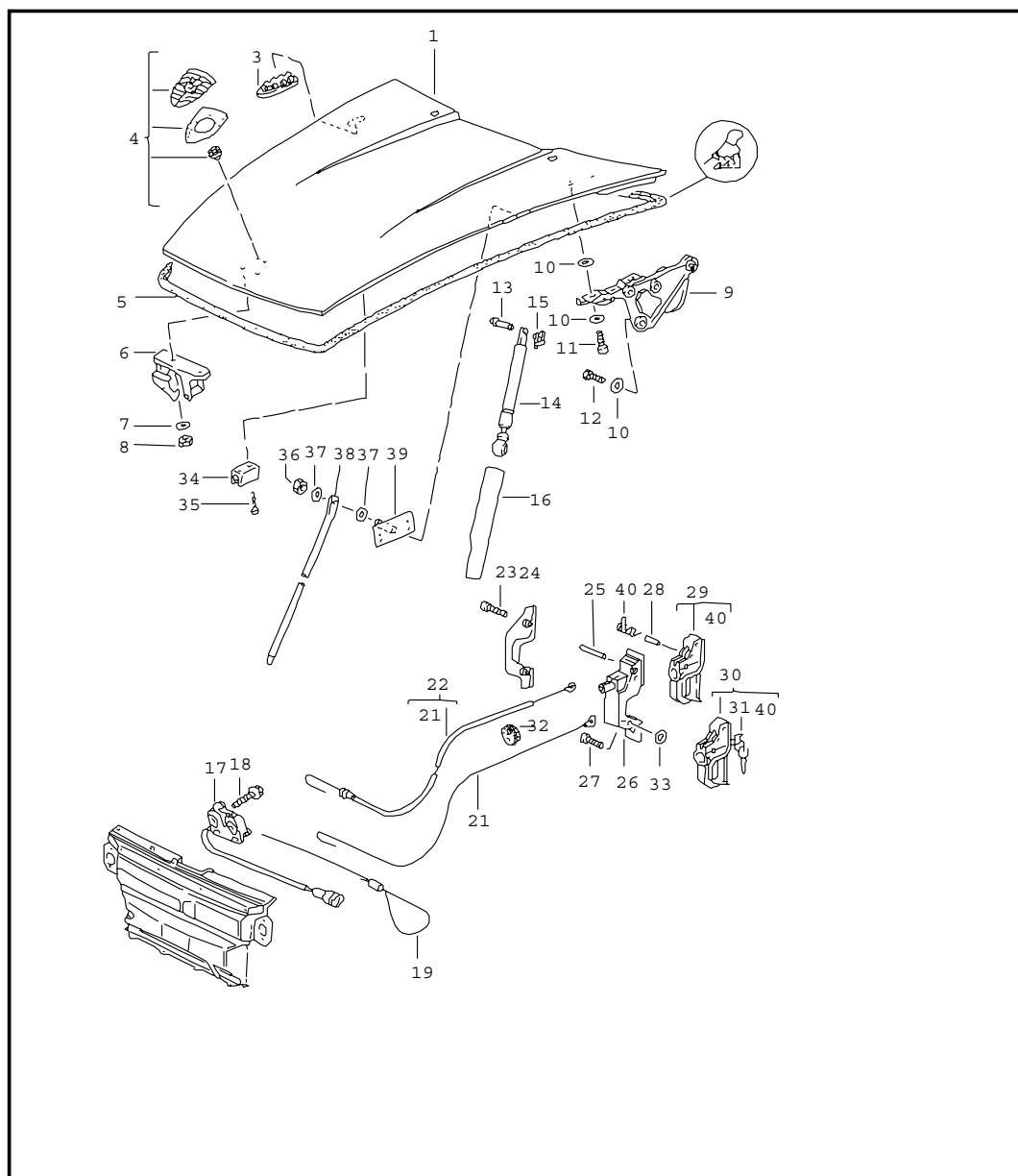


Pos	Part Number	Name	Remarks	Qty	Model
		heat protection for bumper rear			
1	993 505 471 01	heat protection	-94	1	
1	993 505 471 01	heat protection for covering	95-	1	
2	999 049 025 09	collar nut T 5		9	
(3)	993 505 655 00	heat protection for frame for light	/L	1	
3	993 505 656 00	heat protection for frame for light	/R	1	
4	999 190 408 30	blind rivet A 4 X 18,8		4	
(5)	993 505 277 00	heat protection	/L	1	
5	993 505 278 00	heat protection lateral	/R	1	
(5)	993 505 277 01	heat protection	/L	1	TURBO M 491,M 495
(5)	993 505 278 01	heat protection lateral	/R	1	TURBO M 491,M 495
6	999 591 485 02	speed nut B 4,8		6	
7	999 190 378 02	blind rivet A 3,2 X 9,7		4	
8	993 505 475 00	heat protection centre		1	
(8)	993 505 475 01	heat protection centre		1	TURBO M 491,M 495
9	900 143 046 02	tapping screw B 4,8 X 16		4	
10	999 025 243 02	washer 5 X 26 X 1		4	
(11)	993 505 645 00	heat protection	/L	1	

Model	Year	MG	SG	Illustration	Restrictions	Update					
993	98	8	02	802-10		203	17:52	23.08.2006	PORSCHE	PET	PORSCHE

Pos	Part Number	Name	Remarks	Qty	Model	Pos	Part Number	Name	Remarks	Qty	Model
11	993 505 646 00	heat protection lateral upper	/R	1							
(11)	993 505 645 01	heat protection it is necessary to rework	/L	1	TURBO M 491,M 495						
(11)	993 505 646 01	heat protection it is necessary to rework lateral upper	/R	1	TURBO M 491,M 495						
		- - - E N D - - -									

Model	Year	MG	SG	Illustration	Restrictions	Update	17:53	23.08.2006	PORSCHE	PET	PORSCHE
993	98	8	03	803-00		203					



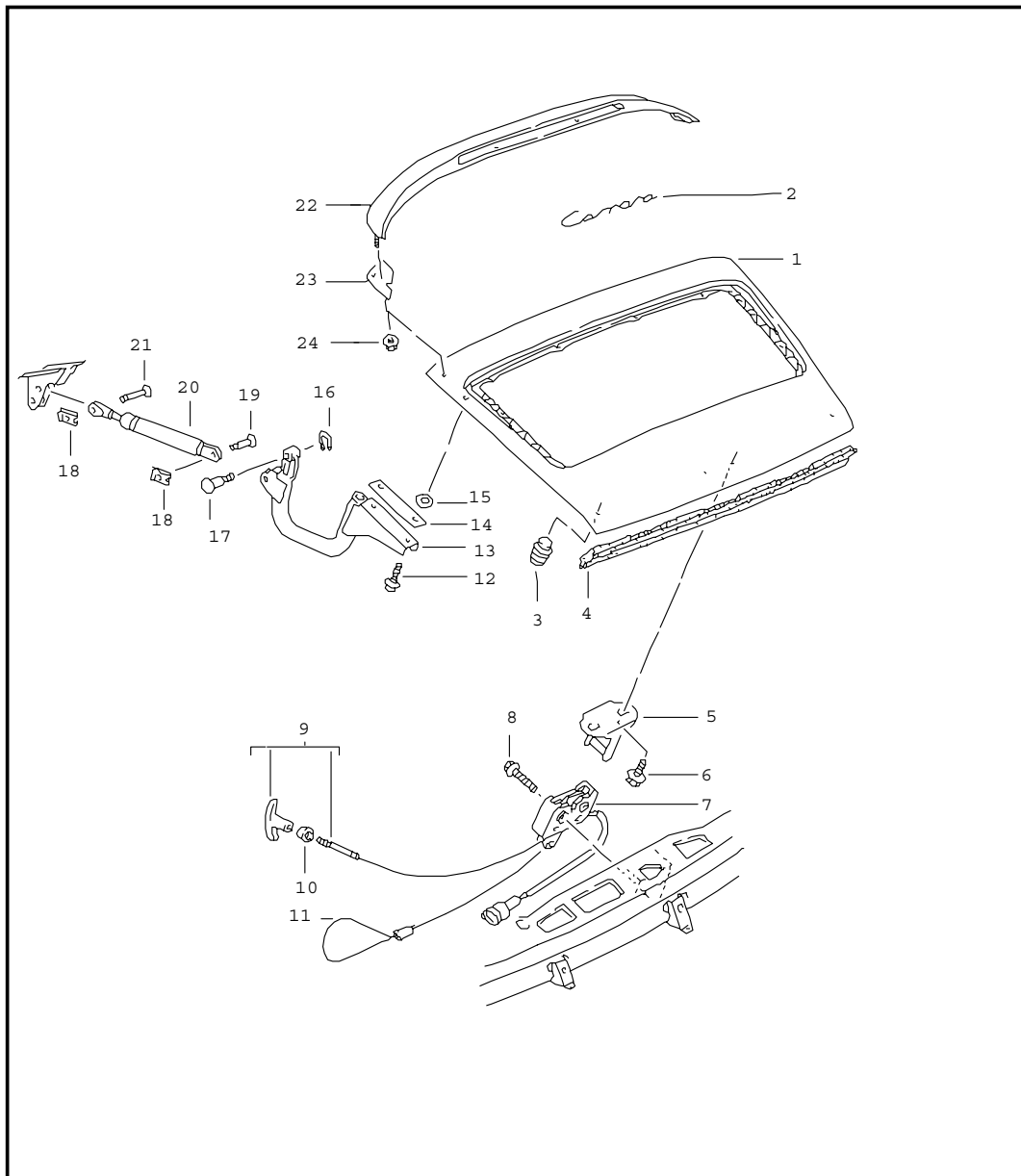
Pos	Part Number	Name	Remarks	Qty	Model
		cover front			
1	993 511 010 01	cover		1	
		GRV prime coated			
(1)	993 511 010 31	cover		1	CARRERA RS
		GRV prime coated			
3	999 703 226 40	cap 50 X 8		2	
4	-	lid emblem see group 8/10/00			
5	993 504 641 01	gasket		1	
6	964 511 051 00	lock upper part		1	
7	N 011 666 7	washer A 6,4		2	
8	900 076 010 02	hexagon nut M 6		2	
9	993 511 031 00	hinge	/L	1	
		GRV prime coated			
(9)	993 511 032 00	hinge	/R	1	
		GRV prime coated			
10	900 151 008 02	washer A 8,4		12	
11	900 067 342 02	pan-head screw M 8 X 22		4	
12	900 075 087 02	hexagon-head bolt M 8 X 16		6	
13	999 166 043 02	bolt		4	
14	993 511 331 00	gas-filled strut		2	
-	900 169 016 02	securing clip for gas-filled strut		2	
15	N 012 645 2	safety clip		4	
16	964 511 591 00	protective tube	/R	1	
17	964 511 052 00	lock lower part		1	

Model	Year	MG	SG	Illustration	Restrictions	Update	17:53	23.08.2006	PORSCHE	PET	PORSCHE
993	98	8	03	803-00		203					

Pos	Part Number	Name	Remarks	Qty	Model	Pos	Part Number	Name	Remarks	Qty	Model
18	900 075 417 02	hexagon-head bolt M 6 X 30		2		31	911 538 902 00	replacement key key cap state lock number information available		1	
19	964 512 521 00	emergency operation		1							
20	911 511 067 00	clamping bow		1		32	111 971 911 A	rubber sleeve		1	
21	964 511 073 01	wire pull		1		33	900 223 003 02	washer 6,4		2	
22	964 511 053 00	bowden cable	/LL	1		34	999 507 372 07	holder		1	CARRERA RS
(22)	964 511 053 01	bowden cable	/RL	1		35	900 138 001 02	tapping screw B 2,9 X 6,5		2	CARRERA RS
(22)	964 511 053 02	bowden cable	/LL	1	RS M 003	36	900 910 010 09	lock nut M 6		1	CARRERA RS
(22)	964 511 053 03	bowden cable	/RL	1	RS M 003	37	N 011 524 7	washer A 6,4		2	CARRERA RS
23	900 119 091 02	pan-head screw M 6 X 16		2		38	964 511 569 00	bracket		1	CARRERA RS
24	964 538 625 00	cover	/LL	1		39	964 511 551 00	support		1	CARRERA RS
	01C	satin black				40	993 538 771 00	spring		1	
(24)	964 538 626 00	cover	/RL	1							
	01C	satin black									
25	900 012 053 00	straight pin 6 X 36		1							
26	993 538 101 00	housing	/LL	1							
	01C	satin black									
(26)	993 538 102 00	housing	/RL	1							
	01C	satin black									
27	999 119 018 02	pan-head screw M 6 X 15		2							
28	900 309 009 00	straight pin 4 X 18		1							
29	993 538 071 01	handle		1	COUPE						
	01C	satin black									
30	993 538 971 00	handle with 2 secondary keys key cap w/o stipulated lock number		1	CABRIO						
30	993 538 971 01	handle with 2 secondary keys key cap state lock number		1	CABRIO						

- - - E N D - - -

Model	Year	MG	SG	Illustration	Restrictions	Update	17:53	23.08.2006	PORSCHE	PET	PORSCHE
993	98	8	03	803-05		203					

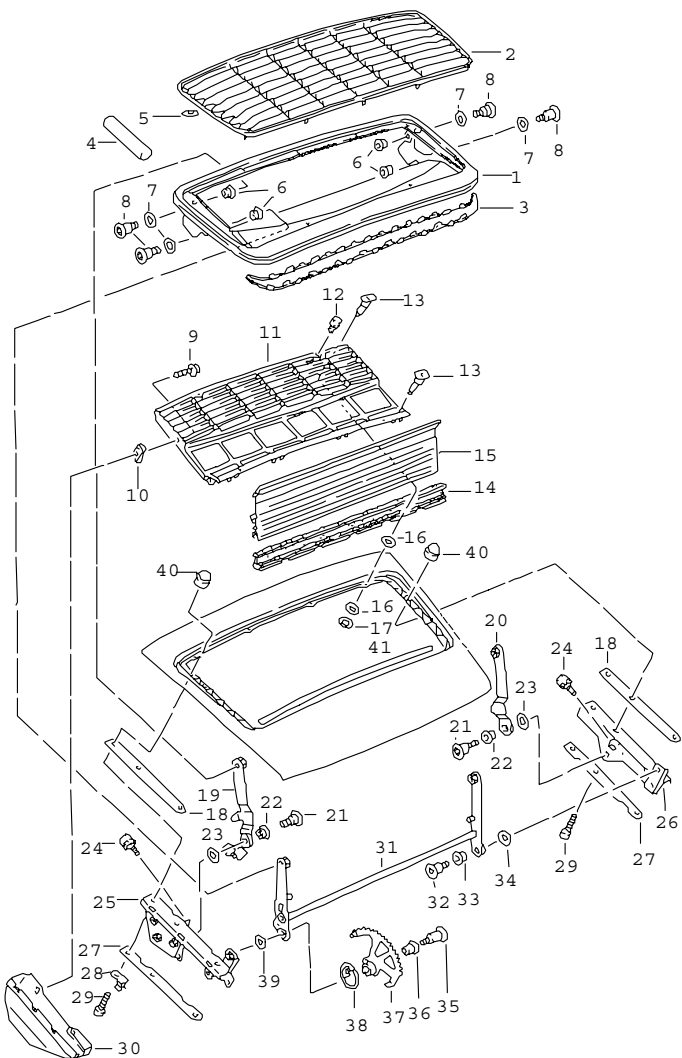


Pos	Part Number	Name	Remarks	Qty	Model
1	993 512 010 00	cover rear		1	
2	-	GRV prime coated logo see group 8/10/00		.	
3	999 703 132 40	rubber buffer		2	
4	993 504 513 00	rubber seal		1	
5	996 512 213 00	lock upper part		1	
6	900 075 014 02	hexagon-head bolt M 6 X 18		2	
7	965 512 052 01	lock lower part		1	
8	900 075 417 02	screw M 6 X 30		2	
9	993 512 063 00	lid-release cable		1	
10	911 512 531 00	spacer sleeve		1	
11	964 512 521 00	emergency operation		1	
(11)	993 512 523 00	emergency operation		1	TURBO
12	900 067 273 09	screw M 6 X 16		4	
13	A 993 512 023 01	hinge		2	
13	993 512 023 01	hinge		2	
14	993 512 469 00	desk pad		2	
15	999 025 090 02	washer 6,5 X 14 X 2	/R	1	
16	999 166 008 02	circlip		2	
17	964 512 326 00	hinge bolt		2	
18	N 012 645 2	safety clip		4	
19	999 166 010 02	bolt		2	
20	911 512 331 01	gas-filled strut		2	
(20)	993 512 321 00	gas-filled strut		2	CABRIO, M 602
(20)	911 512 331 01	gas-filled strut		2	RS, M 470

Model	Year	MG	SG	Illustration	Restrictions	Update	17:53	23.08.2006	PORSCHE	PET	PORSCHE
993	98	8	03	803-05		203					

Pos	Part Number	Name	Remarks	Qty	Model	Pos	Part Number	Name	Remarks	Qty	Model
(20)	911 512 331 02	gas-filled strut		2	RS, M 471						
21	999 166 043 02	bolt		2							
22	993 504 181 00	bracket		1	M 602						
	G2X	prime coated for additional stoplamp									
23	993 504 681 00	desk pad	/L	1	M 602						
(23)	993 504 682 00	desk pad	/R	1	M 602						
24	900 380 015 09	lock nut V M 6		2	M 602						
		- - - E N D - - -									

Model	Year	MG	SG	Illustration	Restrictions	Update	17:53	23.08.2006	PORSCHE	PET	PORSCHE
993	98	8	03	803-10		203					

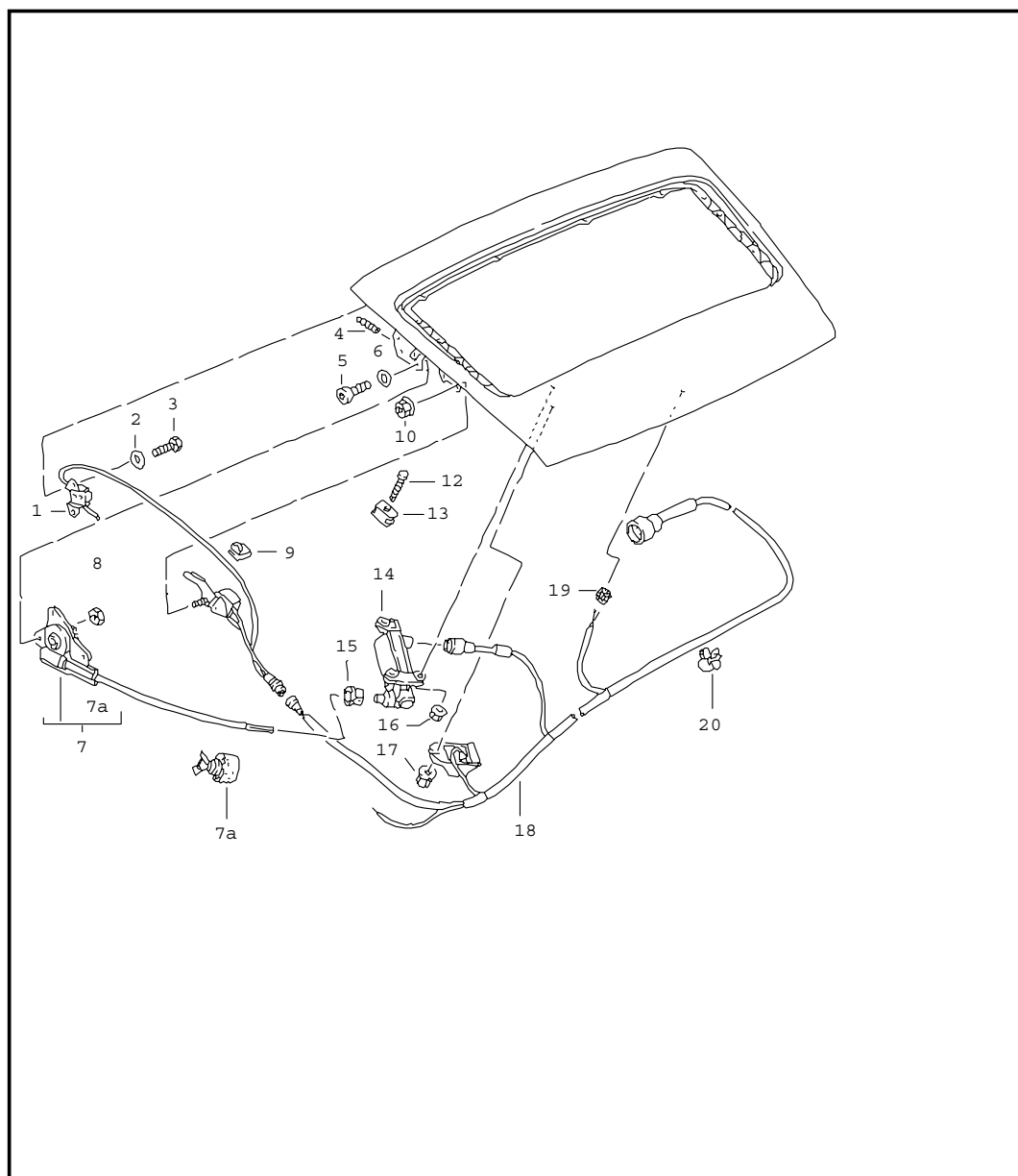


Pos	Part Number	Name	Remarks	Qty	Model
1	993 512 317 00	rear spoiler		1	
	G2X	spoiler			
		prime coated			
		outer part			
2	993 512 587 00	grille		1	
	01C	satin black			
(2)	993 512 591 00	grille	/L 97-	1	CARRERA S
	G2X	prime coated			
(2)	993 512 592 00	grille	/R 97-	1	CARRERA S
	G2X	prime coated			
-	993 512 123 00	centre piece	97-	1	CARRERA S
	G2X	prime coated			
-	999 591 390 02	clamping washer	97-	14	CARRERA S
		5,0			
-	993 512 777 00	reinforcement	97-	1	CARRERA S
3	993 512 717 00	cover		1	
	01C	satin black			
4	A 999 915 509 40	adhesive set		1	
4	000 043 300 94	adhesive set		1	
		for grille			
5	999 591 390 02	clamping washer		10	
		4,75			
6	964 512 732 00	bearing sleeve		4	
		16 X 10,1 X 11,6 POM			
7	964 512 751 00	washer		4	
		16 X 10,5 X 1POM			
8	964 512 722 00	screw		4	
		micro-self-locking			
		M 6 X 23			
9	999 073 122 09	tapping screw		2	
		B 4,2 X 9,5			
10	999 591 723 02	speed nut		2	
		B 4,2			
11	993 512 333 02	ventilation grille		1	

Model	Year	MG	SG	Illustration	Restrictions	Update	17:53	23.08.2006	PORSCHE	PET	PORSCHE
993	98	8	03	803-10		203					

Pos	Part Number	Name	Remarks	Qty	Model	Pos	Part Number	Name	Remarks	Qty	Model
	01C	black				33	964 512 711 00	bearing sleeve 17 X 7 X 10,1 POM		1	
12	964 512 531 00	stop rear spoiler		4		34	964 512 742 00	washer 16 X 1,6 X 10,5 POM		1	
13	999 088 025 40	t-headed screw 5 X 17,7		8		35	964 512 381 00	screw micro-self-locking M 6 X 27		1	
14	993 512 533 00	seal		1		36	964 512 361 00	bearing sleeve 16 X 18,5 X 10,1 POM		1	
15	993 512 121 00	rear wall		1		37	964 512 111 00	segment tooth sector		1	
16	999 025 209 40	washer 9 X 15 X 2		16		38	964 512 314 00	torsion spring		1	
17	999 591 974 02	clamping washer 5,0		8		39	964 512 371 00	washer 24 X 12,5 X 1,6 POM		1	
18	964 512 467 00	desk pad		X		40	A 999 703 449 40	protection cap		6	
19	964 512 049 00	lever	/L	1		40	999 703 449 40	protection cap		6	
20	964 512 050 00	lever	/R	1		41	999 911 614 40	sealing strap		1	
21	964 512 721 00	screw micro-self-locking M 6 X 19		2				- - - E N D - - -			
22	964 512 711 00	bearing sleeve 17 X 7 X 10,1 POM		2							
23	964 512 741 00	washer 16 X 3,6 X 10,5 POM		2							
24	999 703 363 40	buffer		2							
25	964 512 211 00	plate	/L	1							
26	964 512 212 00	plate	/R	1							
27	964 512 461 00	desk pad		2							
28	964 612 138 00	cable holder		1							
29	900 119 107 07	pan-head screw M 6 X 16		6							
30	964 512 225 00	cover		1							
	01C	satin black									
31	964 512 110 00	linkage		1							
32	964 512 723 00	screw micro-self-locking M 6 X 17		1							

Model	Year	MG	SG	Illustration	Restrictions	Update	17:53	23.08.2006	PORSCHE	PET	PORSCHE
993	98	8	03	803-15		203					

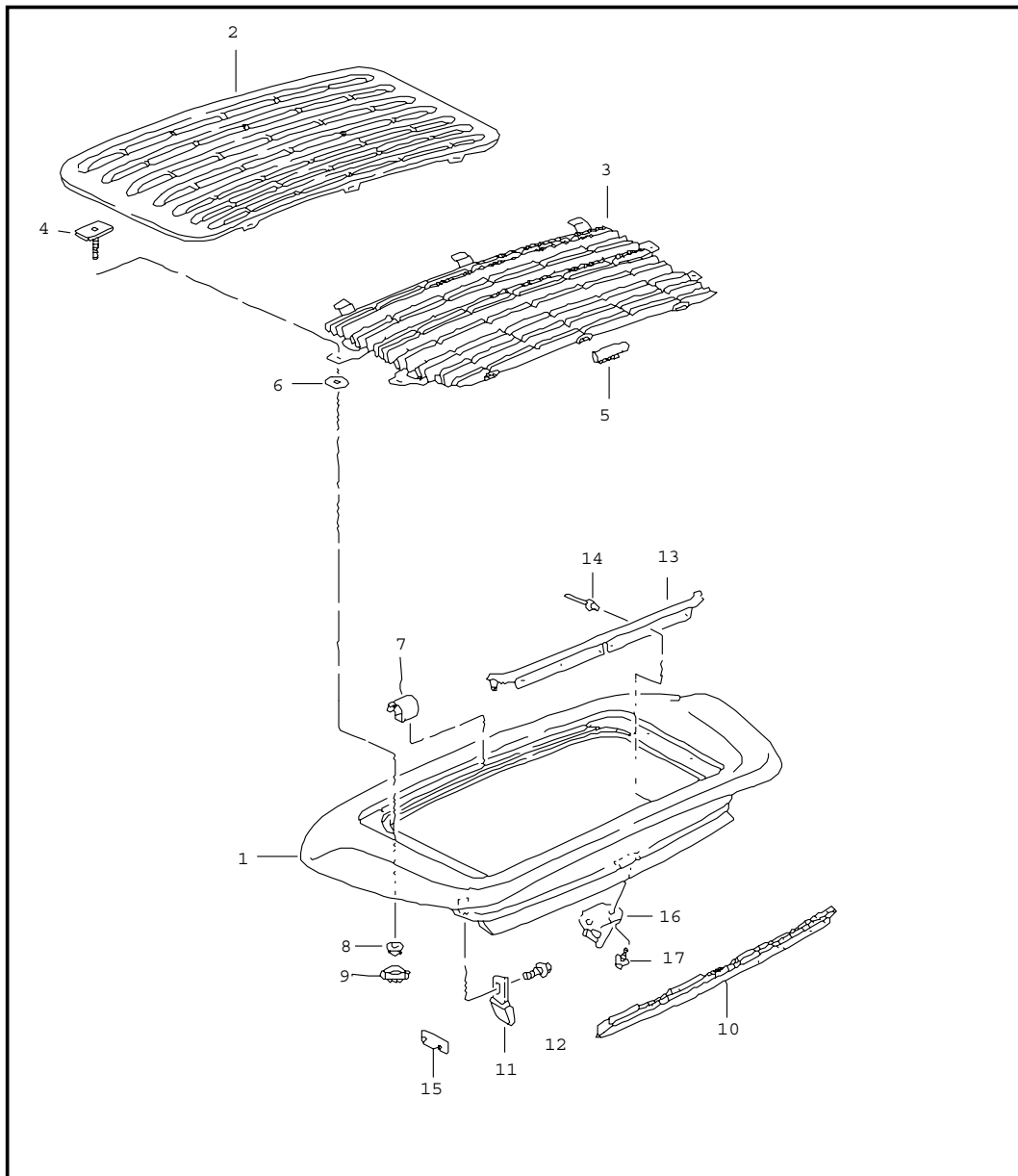


Pos	Part Number	Name	Remarks	Qty	Model
		rear spoiler driving mechanism			
1	964 613 107 01	microswitch		1	
2	900 025 003 02	washer A 5,3		2	
3	N 010 205 6	hexagon-head bolt M 5 X 10		2	
4	999 224 001 02	threaded pin M 4 X 16		1	
5	N 014 701 7	pan-head screw micro-self-locking M 6 X 12		3	
6	N 011 524 7	washer A 6,4		3	
7	964 624 121 00	transmission		1	
7A	964 624 122 00	cap for flexible shaft of transmission		1	
8	N 011 116 5	hexagon nut M 6		3	
9	999 591 746 02	cable terminal		3	
10	900 377 009 02	hexagon nut M 5		1	
12	964 613 323 00	threaded pin		1	
13	964 613 313 00	nut		1	
14	964 624 111 00	geared motor		1	
15	964 624 165 00	bush		1	
16	900 377 010 09	hexagon nut M 6		3	
17	999 049 022 40	plastic nut		1	
18	-	wiring harness see group 9/02/20			
19	477 971 909	rubber sleeve		1	
20	477 971 851	cable clip		12	

Model	Year	MG	SG	Illustration	Restrictions	Update					
993	98	8	03	803-15		203	17:53	23.08.2006	PORSCHE	PET	PORSCHE

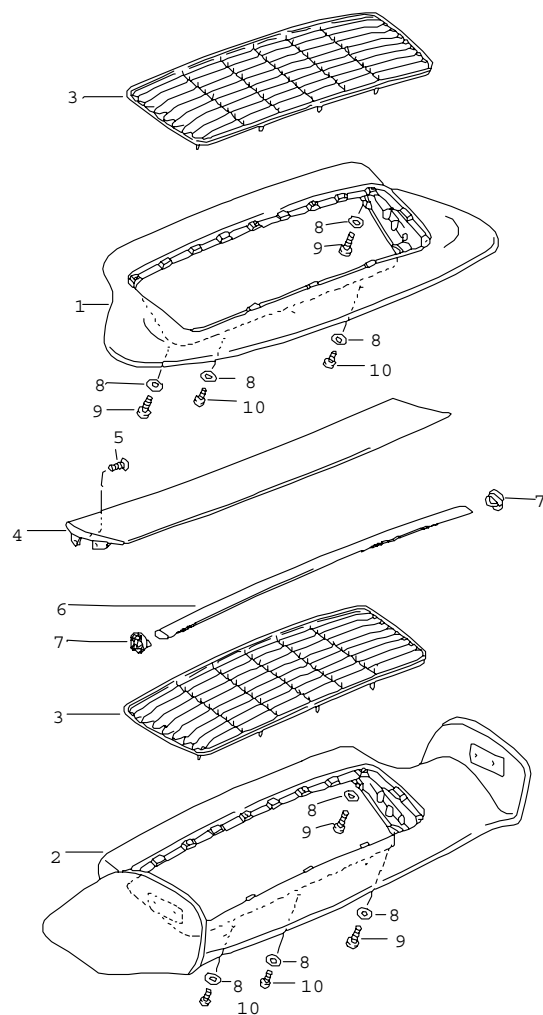
Pos	Part Number	Name	Remarks	Qty	Model	Pos	Part Number	Name	Remarks	Qty	Model
		- - - E N D - - -									

Model	Year	MG	SG	Illustration	Restrictions	Update	17:53	23.08.2006	PORSCHE	PET	PORSCHE
993	98	8	03	803-20		203					



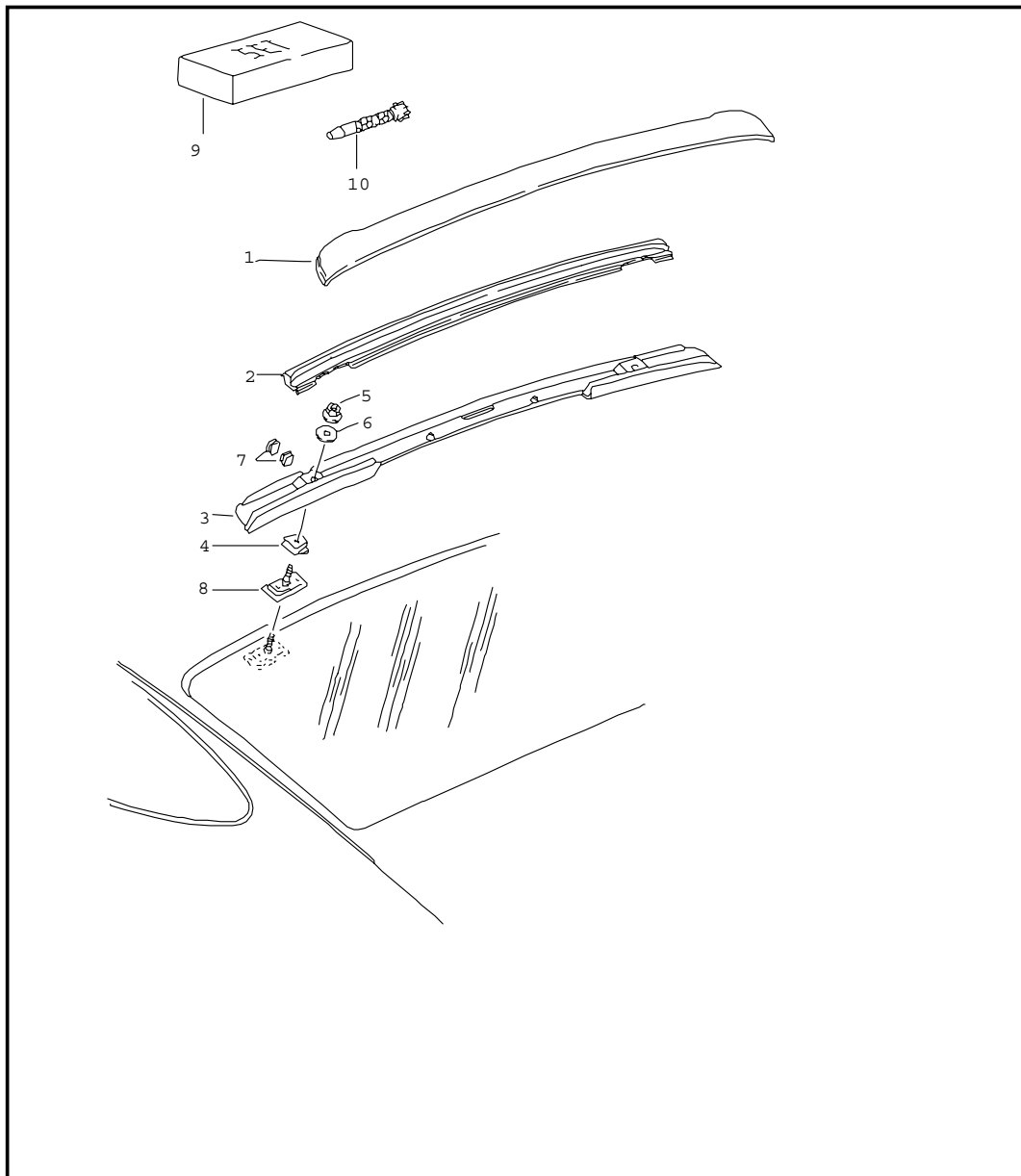
Pos	Part Number	Name	Remarks	Qty	Model
		rear spoiler			TURBO
1	993 512 511 00	rear spoiler		1	
	G2X	prime coated			
2	A 993 512 333 01	ventilation grille		1	
	G2X	prime coated			
2	993 512 333 03	ventilation grille		1	
	G2X	prime coated			
3	993 512 501 00	grille		1	
	70K	black			
4	999 507 546 02	clamp		4	
		M 4			
5	993 512 861 00	boot		6	
6	900 151 028 02	washer		4	
		4,3			
7	993 512 633 00	spacer		3	
8	900 084 020 02	nut		4	
		M 4			
9	999 703 146 40	cover		4	
		23,6 X 31,0			
10	993 504 513 00	gasket		1	
11	993 512 521 00	stop	/L	1	
(11)	993 512 522 00	stop	/R	1	
12	900 075 355 02	screw		4	
		M 6 X 14			
13	993 512 629 01	sealing		1	
14	999 190 408 30	blind rivet		8	
	A	4,0 X 18,8			
15	993 512 875 00	protective strip		2	
	01C	black			
16	996 512 213 00	lock upper part		1	
17	900 075 014 02	hexagon-head bolt		2	
		M 6 X 18			
- - - E N D - - -					

Model	Year	MG	SG	Illustration	Restrictions	Update	17:54	23.08.2006	PORSCHE	PET	PORSCHE
993	98	8	03	803-25		203					



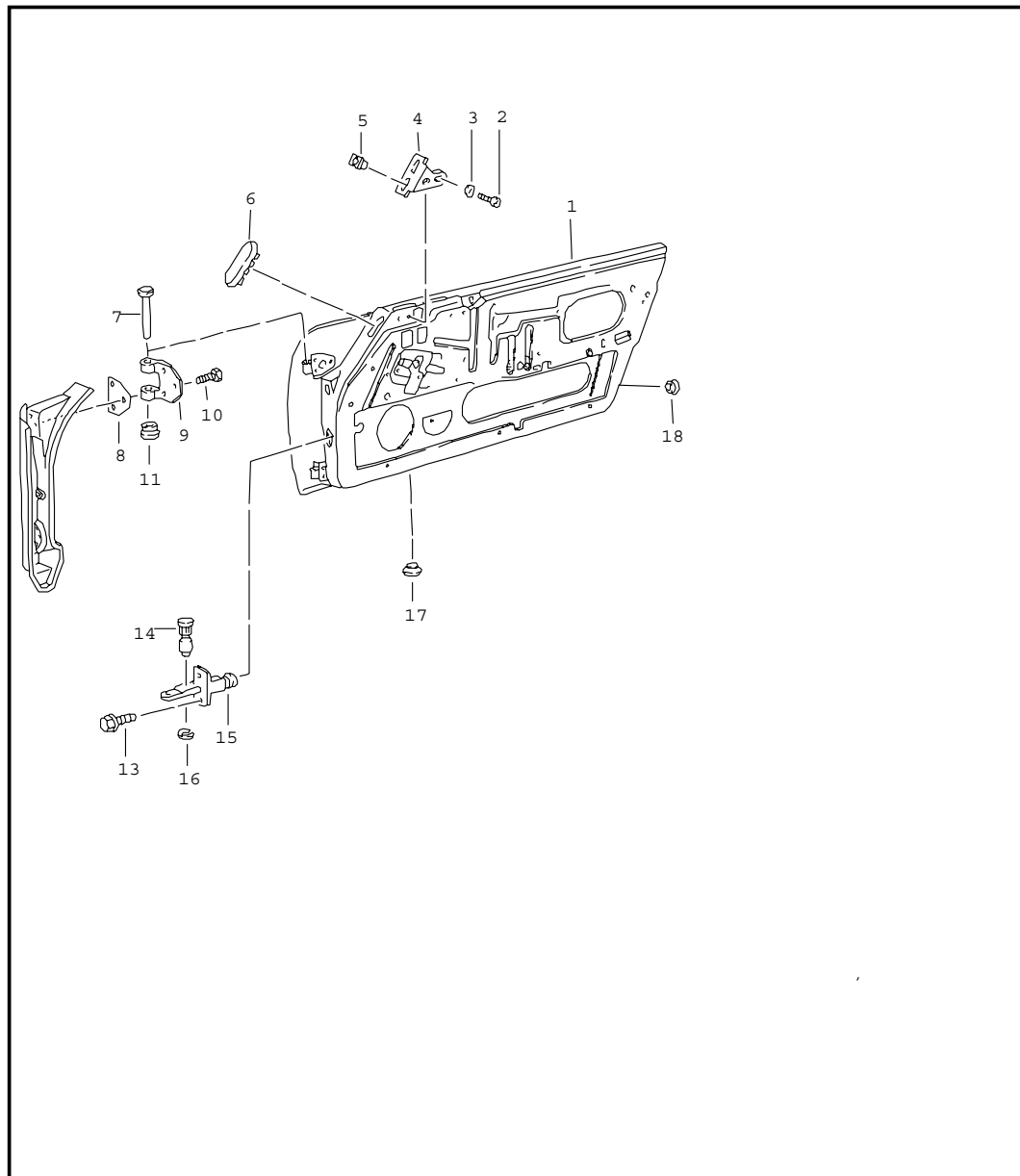
Pos	Part Number	Name	Remarks	Qty	Model
		rear spoiler			CARRERA RS
1	993 512 119 00	rear spoiler		1	M 470
	G2X	prime coated			
2	993 512 119 01	rear spoiler		1	M 471
	G2X	prime coated			
3	993 512 587 00	grille		1	M 470, M 471
	01C	satin black			
4	993 512 135 00	spoiler		1	M 471
	G2X	prime coated			
5	900 249 013 02	countersunk-head screw		4	M 471
		M 6 X 20			
- A	999 704 177 40	washer		4	M 471
		6,5 X 15 X 1,0			
-	999 704 135 70	washer		4	
		7 X 17 X 1,5			
8	900 025 003 02	washer		8	
	A	5,3			
9	999 919 131 09	oval-head screw		4	
		M 5 X 16			
10	999 919 129 09	oval-head screw		4	
		M 4 X 14			
		- - - E N D - - -			

Model	Year	MG	SG	Illustration	Restrictions	Update	17:54	23.08.2006	PORSCHE	PET	PORSCHE
993	98	8	03	803-30		203					



Pos	Part Number	Name	Remarks	Qty	Model
		roof cover moulding			M 599
1	993 504 445 02	roof cover moulding		1	
	G2X	prime coated			
2	993 504 659 01	insert		1	
3	993 504 455 02	reinforcing support		1	M 602
	70C	black			
(3)	993 504 455 03	reinforcing support		1	
	70C	black			
4	993 504 715 00	actuator		2	
5	900 377 001 07	nut		2	
		M 6			
6	900 151 037 07	washer		2	
		A 6,4			
7	999 507 477 00	u-clamp		13	
8	993 504 361 00	locking lug		2	
9	000 043 203 42	adhesive set		1	
		order also:			
10	000 043 203 49	mixing tube		1	
		- - - E N D - - -			

Model	Year	MG	SG	Illustration	Restrictions	Update	17:54	23.08.2006	PORSCHE	PET	PORSCHE
993	98	8	04	804-00		203					

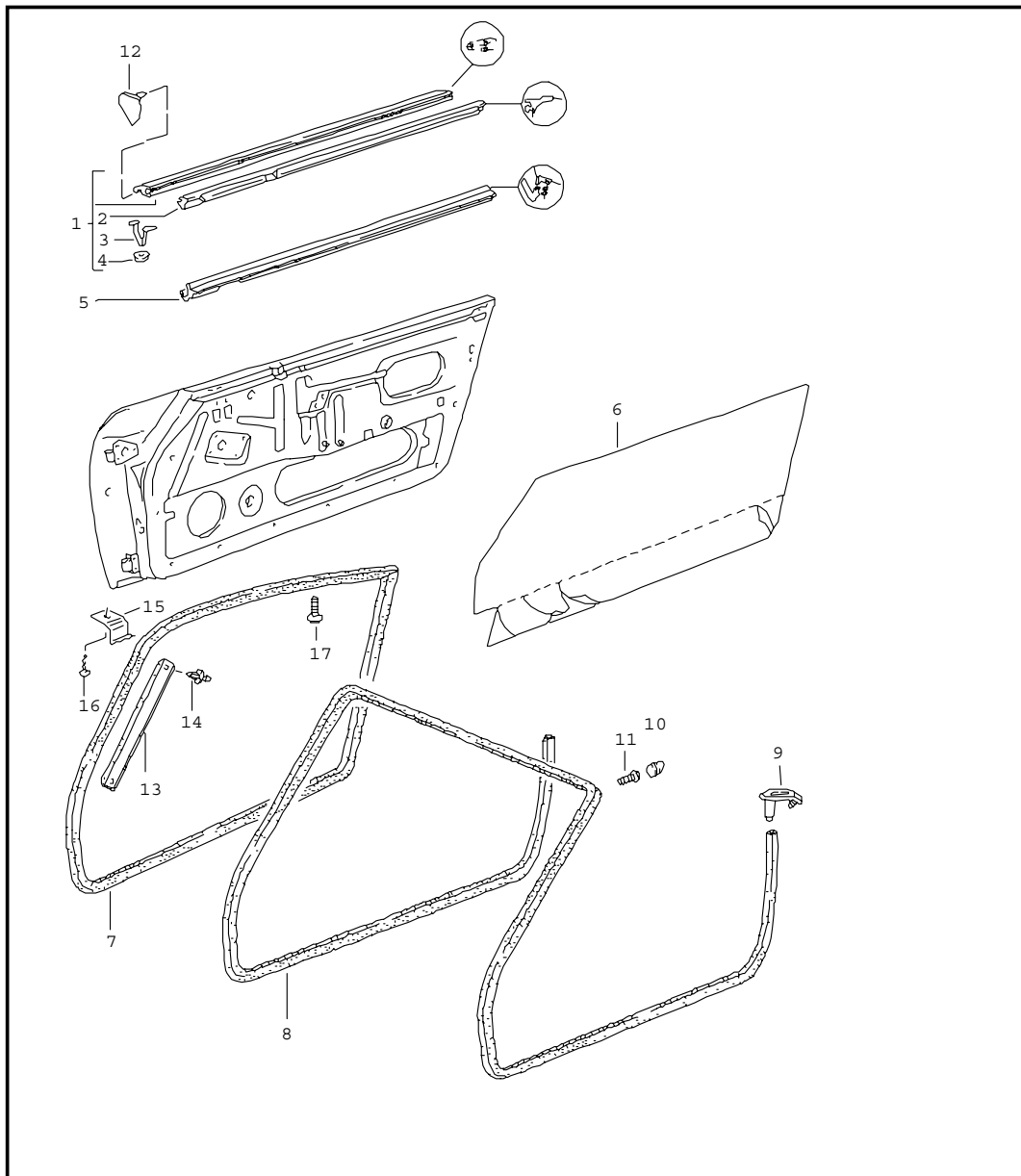


Pos	Part Number	Name	Remarks	Qty	Model
(1)	A 993 531 005 00	door in white	/LL/L	1	
		GRV prime coated			
(1)	993 531 005 02	door in white	/LL/L	1	
		GRV prime coated			
1	A 993 531 006 00	door in white	/LL/R	1	
		GRV prime coated			
1	993 531 006 02	door in white	/LL/R	1	
		GRV prime coated			
(1)	A 993 531 005 01	door in white	/RL/L	1	
		GRV prime coated			
(1)	993 531 005 03	door in white	/RL/L	1	
		GRV prime coated			
(1)	A 993 531 006 01	door in white	/RL/R	1	
		GRV prime coated			
(1)	993 531 006 03	door in white	/RL/R	1	
		GRV prime coated			
2	900 119 064 02	pan-head screw M 6 X 15		4	
3	N 011 524 7	washer A 6,4		4	
(4)	911 555 821 00	bracket	/L	1	
4	911 555 822 00	bracket for mount cover strip	/R	1	
5	999 591 498 40	special nut		4	
6	999 703 345 40	cap oval 57 X 22 X 64		4	
7	901 531 305 20	hinge bolt		4	
8	901 531 391 20	desk pad		4	
9	901 531 303 21	hinge arm		4	

Model	Year	MG	SG	Illustration	Restrictions	Update	17:54	23.08.2006	PORSCHE	PET	PORSCHE
993	98	8	04	804-00		203					

Pos	Part Number	Name	Remarks	Qty	Model	Pos	Part Number	Name	Remarks	Qty	Model
10	999 093 010 02	hexagon-head bolt M 8 X 20		12							
11	901 531 311 20	bush		4							
13	900 075 374 02	screw M 6 X 14		4							
14	911 531 275 00	bolt		2							
15	964 537 057 00	door arrester		2							
16	999 166 008 02	safety clip		2							
17	999 926 018 40	valve		2							
18	999 703 344 40	cap round 22 X 28 X 4,7		2							
		- - - E N D - - -									

Model	Year	MG	SG	Illustration	Restrictions	Update	17:54	23.08.2006	PORSCHE	PET	PORSCHE
993	98	8	04	804-05		203					

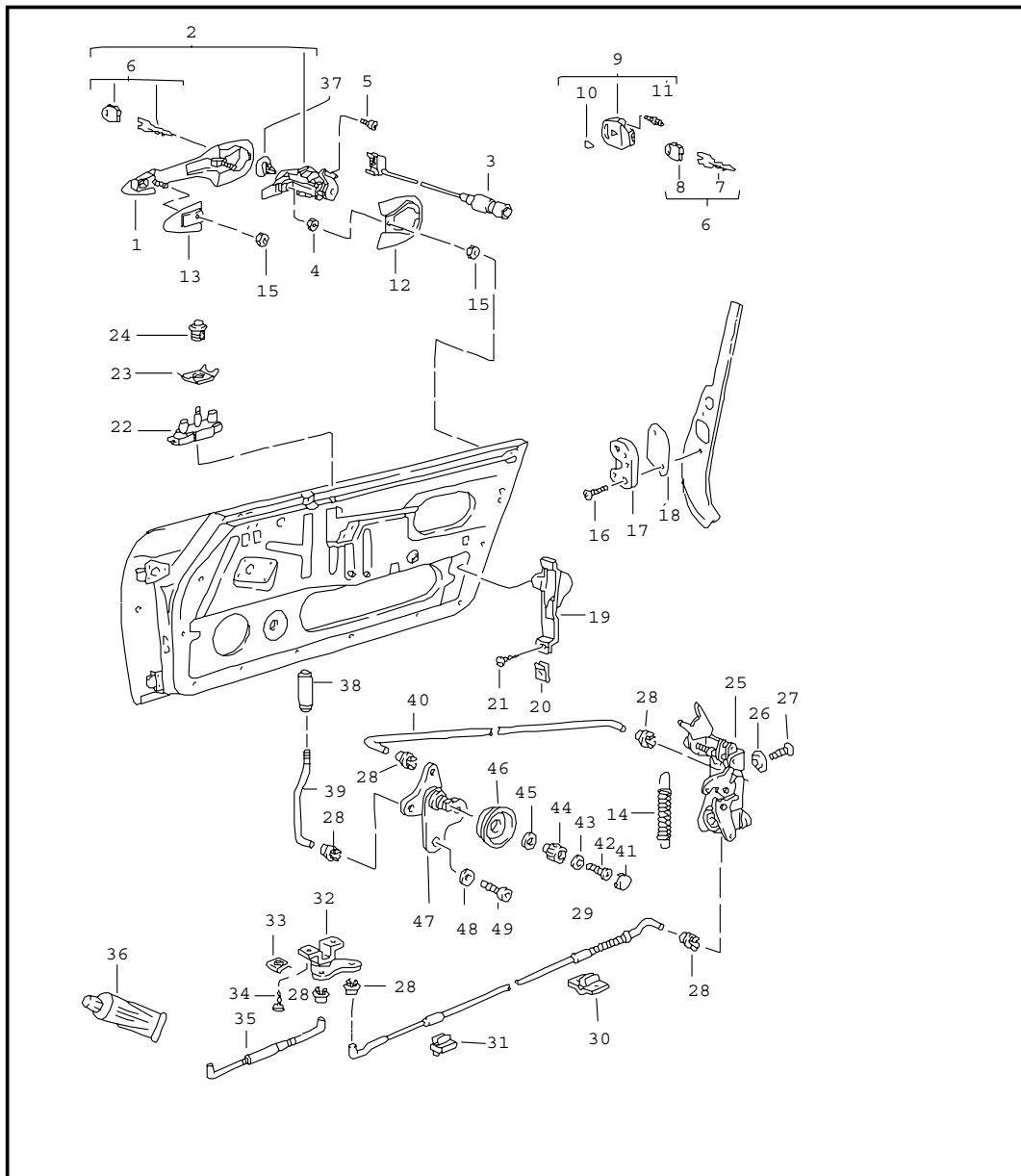


Pos	Part Number	Name	Remarks	Qty	Model
		seal doors			
(1)	A 993 531 041 00	moulding	/L	1	COUPE
	70K	black			
1	A 993 531 042 00	moulding	/R	1	COUPE
	70K	black			
(1)	993 531 041 02	moulding	/L	1	COUPE
	70K	black			
(1)	993 531 042 02	moulding	/R	1	COUPE
	70K	black			
(1)	A 993 531 041 01	moulding	/L	1	CABRIO
	70K	black			
(1)	A 993 531 042 01	moulding	/R	1	CABRIO
	70K	black			
(1)	993 531 041 03	moulding	/L	1	CABRIO
	70K	black			
(1)	993 531 042 03	moulding	/R	1	CABRIO
	70K	black			
(1)	993 531 041 04	moulding	/L	1	TARGA
	70K	black			
(1)	993 531 042 04	moulding	/R	1	TARGA
	70K	black			
2	A 993 531 732 00	sealing	/R	1	COUPE
(2)	993 531 731 02	sealing	/L	1	COUPE
2	993 531 732 02	sealing	/R	1	COUPE
(2)	A 993 531 731 01	sealing	/L	1	CABRIO
(2)	A 993 531 732 01	sealing	/R	1	CABRIO
(2)	993 531 731 03	sealing	/L	1	CABRIO
(2)	993 531 732 03	sealing	/R	1	CABRIO
(2)	993 531 731 04	sealing	/L	1	TARGA

Model	Year	MG	SG	Illustration	Restrictions	Update	17:54	23.08.2006	PORSCHE	PET	PORSCHE
993	98	8	04	804-05		203					

Pos	Part Number	Name	Remarks	Qty	Model	Pos	Part Number	Name	Remarks	Qty	Model
(2)	993 531 732 04	sealing	/R	1	TARGA	15	993 562 571 00	holding claw		2	TARGA
3	999 591 326 02	moulding clip		14		16	900 145 093 07	tapping screw ST 3,9 X 9,5		2	TARGA
4	911 531 309 00	ring		14		17	993 562 831 00	screw for door seal		12	TARGA
(5)	993 537 295 00	sealing for door slot inner	/L	1							
5	993 537 296 00	sealing for door slot inner	/R	1							
(5)	911 531 295 40	sealing for door slot outer	/L	1	CABRIO, TARGA						
(5)	911 531 296 40	sealing for door slot outer	/R	1	CABRIO, TARGA						
(6)	911 531 889 00	seal	/L	1							
6	911 531 890 00	seal	/R	1							
(7)	964 531 095 00	door sealing	/L	1	COUPE						
7	964 531 096 00	door sealing	/R	1	COUPE						
(7) A	993 562 305 01	door seal	/L	1	TARGA						
(7)	993 562 305 01	door seal	/L	1	TARGA						
(7) A	993 562 306 01	door seal	/R	1	TARGA						
(7)	993 562 306 01	door seal	/R	1							
8	993 504 095 01	gasket		1	CABRIO						
9	911 531 523 65	cap		2	CABRIO						
10	993 504 721 00	plug	/L	1	CABRIO						
(10)	993 504 722 00	plug	/R	1	CABRIO						
11	900 146 011 02	screw M 4 X 10		2	CABRIO						
(12)	993 531 429 02	end piece	/L	1							
12	993 531 430 02	end piece	/R	1							
(12)	993 531 429 03	end piece	/L	1	TARGA						
(12)	993 531 430 03	end piece	/R	1	TARGA						
13	993 504 505 00	cover		2	TARGA						
14	999 507 515 40	expansion rivet 4,9 X 10		4	TARGA						

Model	Year	MG	SG	Illustration	Restrictions	Update	17:55	23.08.2006	PORSCHE	PET	PORSCHE
993	98	8	04	804-10		203					



Pos	Part Number	Name	Remarks	Qty	Model
1	993 537 661 00	door latch		2	
	G2X	outer door handle			
		prime coated			
(2)	993 537 937 00	insert	/L	1	
		w/o stipulated lock number			
2	993 537 938 00	insert	/R	1	
		w/o stipulated lock number			
(2)	993 537 937 01	insert	/L	1	
		with stipulated lock-no.			
		state lock number			
(2)	993 537 938 01	insert	/R	1	
		with stipulated lock-no.			
		state lock number			
(2)	993 537 438 02	insert	/LL/R97- /RL/L97-	1	
		without lock cylinder			
		with			
		plug			
3	964 613 134 00	microswitch	-94	2	
4	900 034 006 02	hexagon nut		2	
		M 5			
5	900 186 033 02	hexagon socket head bolt		2	
		M 4 X 6			
6	911 538 902 00	replacement key		1	
		key cap			
		state lock number			
		information available			
7	911 538 903 00	blank key		1	
8	944 538 431 00	key cap		1	
9	944 538 041 00	key lamp		1	
10	944 538 443 00	emblem		1	
11	928 537 630 02	bulb		1	
12	993 537 631 00	desk pad	/H	1	
13	993 537 621 00	desk pad	/V	1	
15	900 380 001 02	hexagon nut		4	
		V M 5			
16	999 219 008 00	oval-head screw		4	
		M 8 X 40			

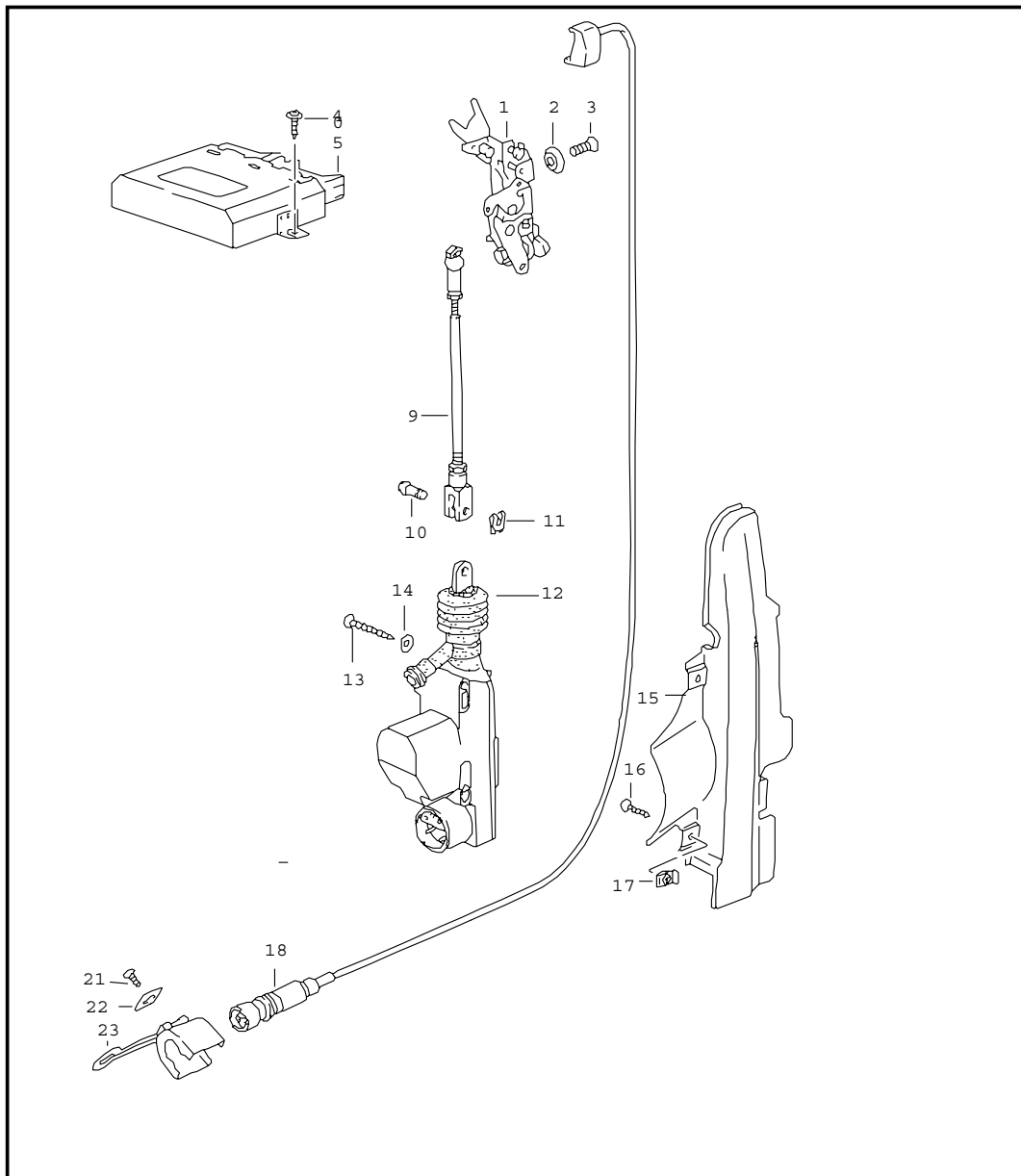
Model	Year	MG	SG	Illustration	Restrictions	Update	17:55	23.08.2006	PORSCHE	PET	PORSCHE
993	98	8	04	804-10		203					

Pos	Part Number	Name	Remarks	Qty	Model	Pos	Part Number	Name	Remarks	Qty	Model
(17)	993 531 029 00	door lock striker	/L	1		27	999 219 009 00	oval-head screw micro-self-locking M 6 X 16		6	
17	993 531 030 00	door lock striker	/R	1							
(18)	901 531 703 23	desk pad		1		28	993 531 563 01	linkage clip		X	
18	901 531 703 24	desk pad		1		29	993 531 509 00	bowden cable		2	
19	-	cover for element central locking system see group 8/04/15				30	911 531 099 00	support		2	
						31	911 531 097 00	support		2	
(19)	911 537 335 00	cover	/L	1		(32)	993 531 083 00	relay lever	/L	1	
19	911 537 336 00	cover	/R	1		32	993 531 084 00	relay lever	/R	1	
20	N 015 438 1	speed nut B 3,5		4		33	999 507 009 02	clamp B 3,5		4	
21	900 144 028 07	tapping screw B 3,5 X 13		4		34	N 014 086 4	rais. counters. h. tap. s. B 3,5 X 13		4	
22	993 637 237 00	bracket		2		35 A	993 531 091 01	pull rod		2	
23	993 637 245 00	clamping washer		2		35	993 531 091 01	pull rod		2	
24	993 637 243 00	bush		2		36	000 043 204 21	grease for lock cylinder		X	
	01C	satin black				37	993 537 613 00	cap		2	
							01C	black			
(25) A	993 531 053 03	door lock with antishutout-mechanism	/LL/L	1		38	928 555 359 02	knob		2	CARRERA RS
(25)	993 531 053 03	door lock with antishutout-mechanism	/LL/L	1		(39)	911 531 707 01	rod for push-button	/L	1	CARRERA RS
25 A	993 531 054 02	door lock without antishutout mechan	/LL/R	1		39	911 531 708 01	rod for push-button	/R	1	CARRERA RS
25	993 531 054 02	door lock without antishutout mechan	/LL/R	1		40	911 531 562 01	connecting rod		2	CARRERA RS
(25) A	993 531 053 02	door lock without antishutout mechan	/RL/L	1		41	911 531 703 00	cap		2	CARRERA RS
(25)	993 531 053 02	door lock without antishutout mechan	/RL/L	1		42	999 218 010 02	oval-head screw micro-self-locking M 5 X 12		2	CARRERA RS
(25) A	993 531 054 03	door lock with antishutout-mechanism	/RL/R	1		43	900 116 005 02	lock washer		2	CARRERA RS
(25)	993 531 054 03	door lock with antishutout-mechanism	/RL/R	1		44	928 537 581 03	rotary knob		2	CARRERA RS
							70B	black			
						45	911 531 705 00	spacer ring		2	CARRERA RS
26	999 591 118 02	washer		6		46	928 537 585 02	bearing shell		2	CARRERA RS
							70B	black			

Model	Year	MG	SG	Illustration	Restrictions	Update	17:55	23.08.2006	PORSCHE	PET	PORSCHE
993	98	8	04	804-10		203					

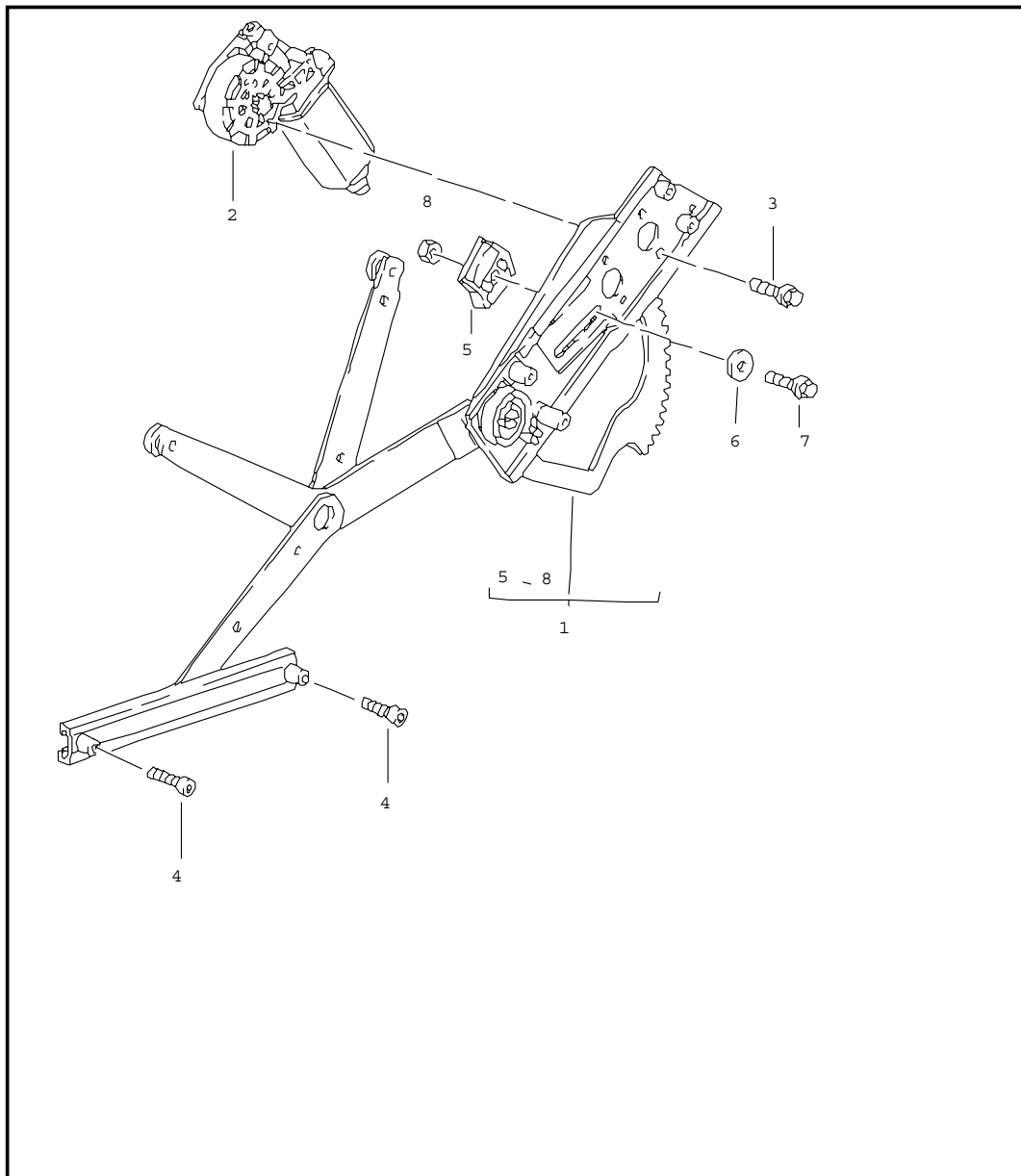
Pos	Part Number	Name	Remarks	Qty	Model	Pos	Part Number	Name	Remarks	Qty	Model
(47)	911 531 075 02	mounting for push-button	/L	1	CARRERA RS						
47	911 531 076 02	mounting for push-button	/R	1	CARRERA RS						
48	N 012 226 5	spring washer B6		4	CARRERA RS						
49	900 186 147 02	pan-head screw M 6 X 10		4	CARRERA RS						
		- - - E N D - - -									

Model	Year	MG	SG	Illustration	Restrictions	Update	17:55	23.08.2006	PORSCHE	PET	PORSCHE
993	98	8	04	804-15		203					



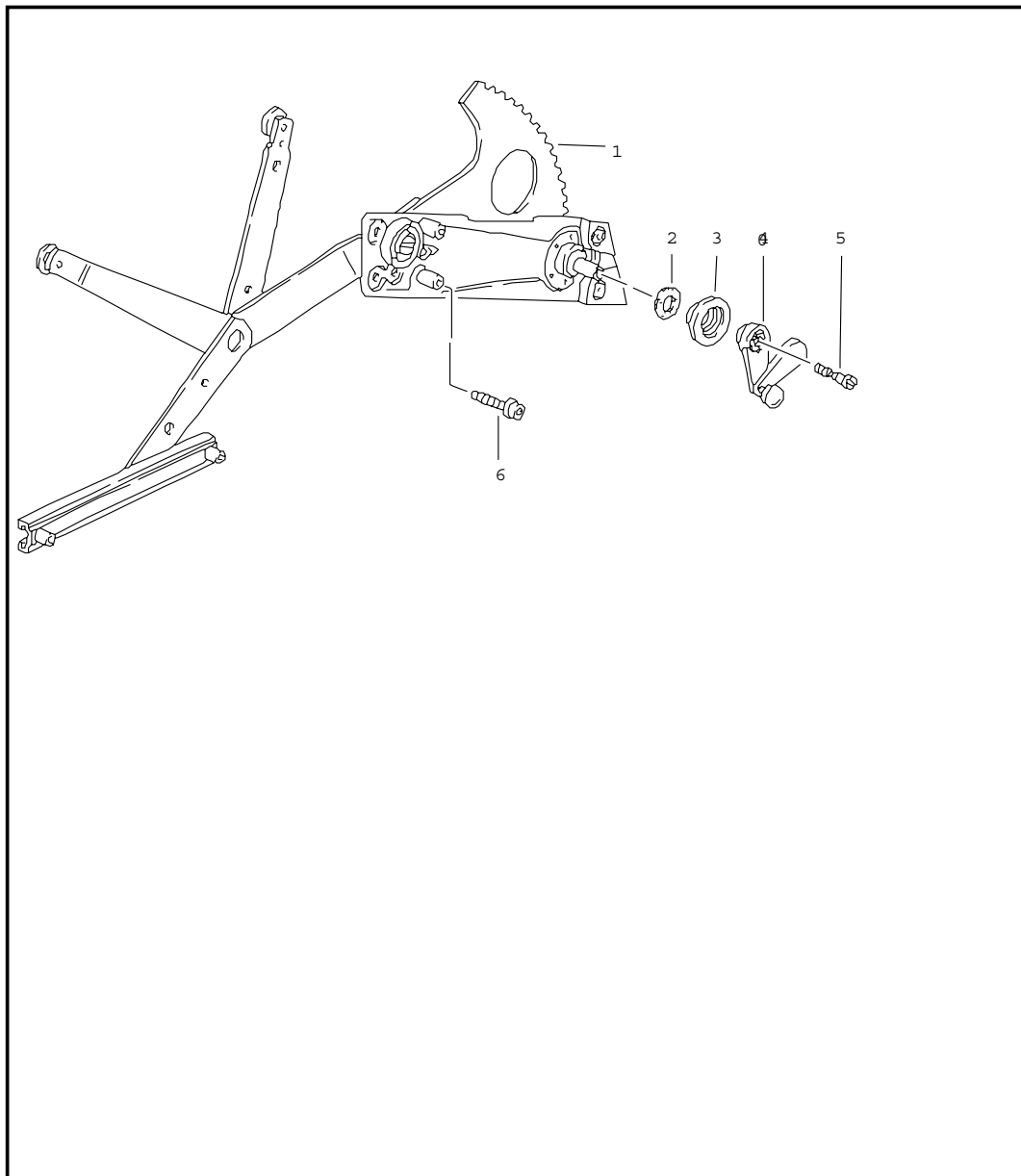
Pos	Part Number	Name	Remarks	Qty	Model
		central locking system			
1-3	-	see group 8/04/10			
4	900 143 117 02	combination tapping screw B 4,2 X 9,5		2	
5	928 618 260 01	control unit		1	
9	964 537 571 00	operating rod		2	
10	N 100 438 01	bolt		2	
11	N 012 644 1	safety clip		2	
12	928 624 211 00	element		1	
13	999 141 018 02	half-round screw		2	
14	900 151 001 02	washer A 4,3		2	
15	911 537 355 00	cover	/L	1	
(15)	911 537 356 00	cover	/R	1	
16	900 144 028 07	tapping screw B 3,5 X 13		6	
17	N 015 438 1	clamp B 3,5		6	
18	964 613 134 00	microswitch		2	
21	N 013 956 7	tapping screw B 3,5 X 6,5		2	
22	999 591 351 02	speed nut		2	
23	944 612 420 00	locking device		2	
		- - - E N D - - -			

Model	Year	MG	SG	Illustration	Restrictions	Update	18:03	23.08.2006	PORSCHE	PET	PORSCHE
993	98	8	04	804-20		203					



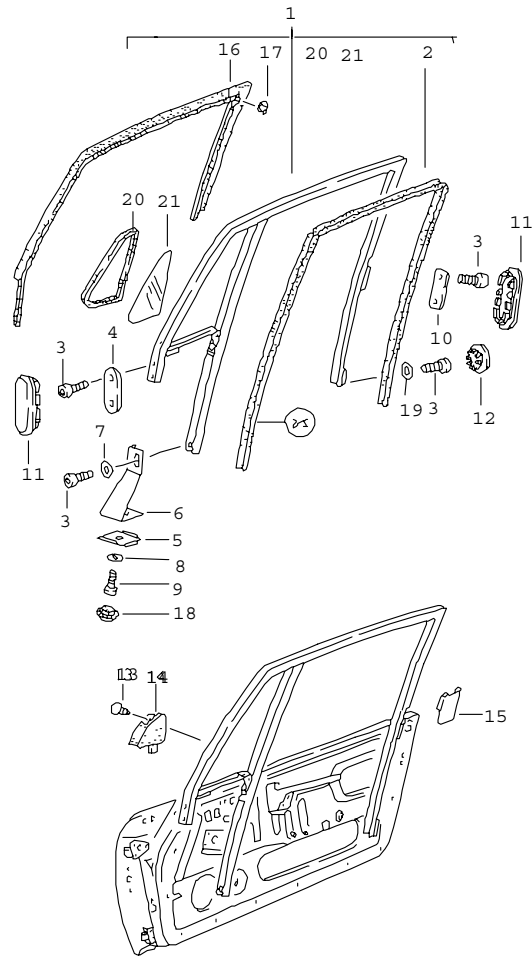
Pos	Part Number	Name	Remarks	Qty	Model
		power windows electric			
1	911 542 935 46	cross-arm	/L	1	
(1)	911 542 936 46	cross-arm	/R	1	
2	911 624 015 43	motor	/L	1	
(2)	911 624 014 43	motor	/R	1	
3	999 919 073 02	screw 53 X 28/20		6	
4	999 218 016 02	screw micro-self-locking M 6 X 16		12	
5	911 542 231 41	stop	/L	1	
(5)	911 542 232 41	stop	/R	1	
7	999 217 043 08	hexagon-head bolt M 8 X 16		2	
8	900 910 003 02	lock nut M 8		2	
- - - E N D - - -					

Model	Year	MG	SG	Illustration	Restrictions	Update	9:59	25.08.2006	PORSCHE	PET	PORSCHE
993	98	8	04	804-22		203					



Pos	Part Number	Name	Remarks	Qty	Model
		power windows manual			CARRERA RS
(1)	964 542 041 00	power windows	/L	1	
1	964 542 042 00	power windows	/R	1	
2	901 542 495 20	sealing ring		2	
3	901 552 891 20	rose		2	
4	959 542 115 01	window crank		2	
		3DL black			
5	911 542 475 00	conical screw M 5 X 20		2	
6	999 218 016 02	screw micro-self-locking M 6 X 16		12	
-	900 223 003 02	washer window crank door panel		2	
		- - - E N D - - -			

Model	Year	MG	SG	Illustration	Restrictions	Update	9:59	25.08.2006	PORSCHE	PET	PORSCHE
993	98	8	04	804-25		203					

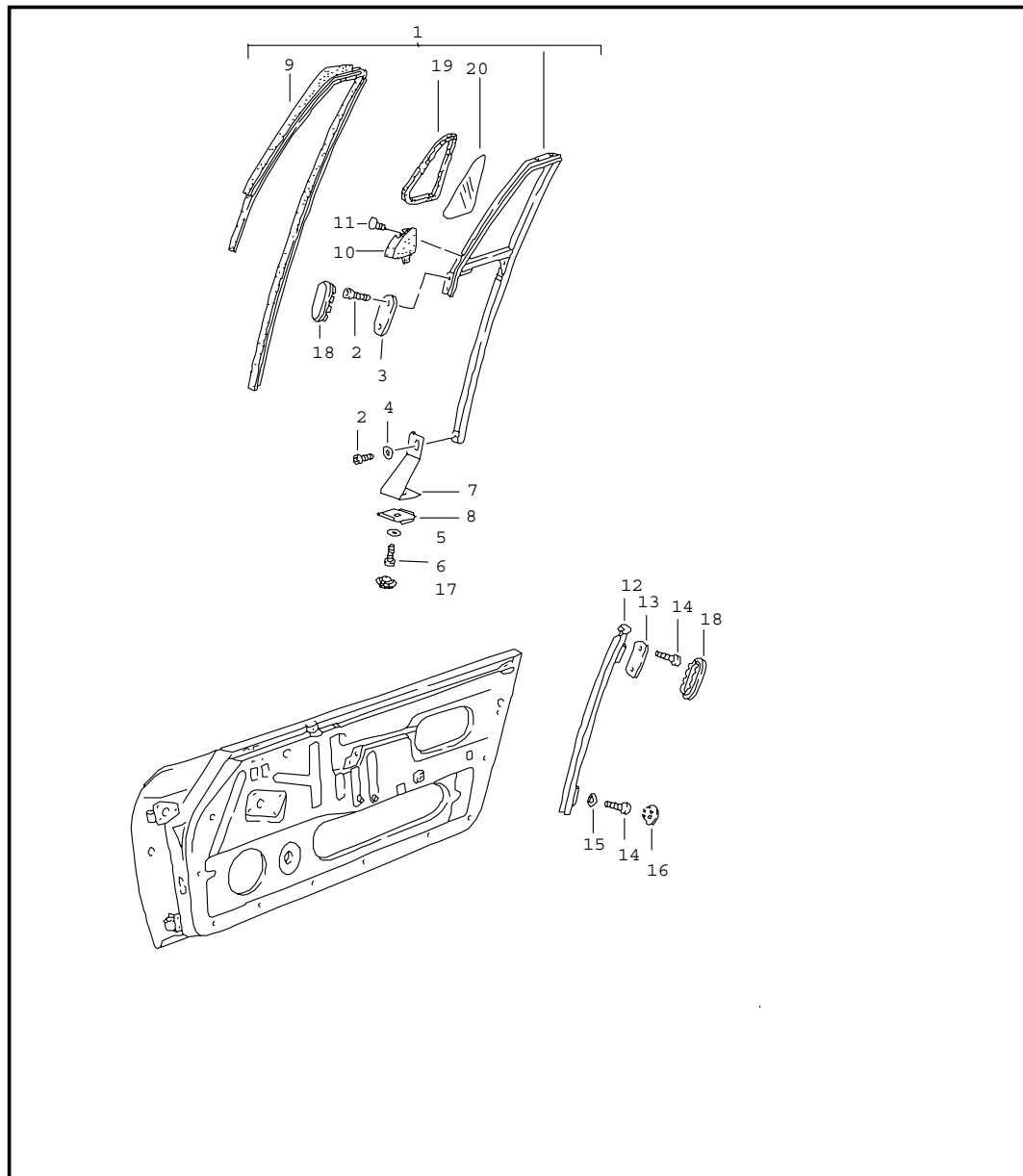


Pos	Part Number	Name	Remarks	Qty	Model
		door glass frame			COUPE
(1)	993 542 129 00	door glass frame	/L -96	1	
	70K	black see tpi group 8 NR.46/96			
(1)	993 542 130 00	door glass frame	/R -96	1	
	70K	black see tpi group 8 NR.46/96			
(1)	993 542 067 04	door glass frame	/L 97-	1	
	70K	black			
1	993 542 068 04	door glass frame	/R 97-	1	
	70K	black			
(1)	993 542 067 07	door glass frame	/L	1	CARRERA RS
	70K	black			
1	993 542 068 07	door glass frame	/R	1	CARRERA RS
	70K	black			
2	911 542 905 00	window guide		2	
2	959 542 805 00	window guide		2	CARRERA RS
3	999 218 008 02	pan-head screw M 8 X 12 micro-self-locking		12	
4	911 542 236 00	plate		2	
5	993 542 417 00	plate		2	
(6)	993 542 415 00	angle	/L -96	1	
6	993 542 416 00	angle	/R -96	1	
(6)	993 542 315 00	angle	/L 97-	1	
6	993 542 316 00	angle	/R 97-	1	
7	900 025 007 02	washer 8,4		2	

Model	Year	MG	SG	Illustration	Restrictions	Update	9:59	25.08.2006	PORSCHE	PET	PORSCHE
993	98	8	04	804-25		203					

Pos	Part Number	Name	Remarks	Qty	Model	Pos	Part Number	Name	Remarks	Qty	Model
8	900 151 026 02	washer 10,5		2							
9	999 218 045 07	pan-head screw M 8 X 16 micro-self-locking		2							
10	911 542 237 00	plate		2							
11	999 703 345 40	cap oval 57 X 22 X 64		4							
12	999 703 344 40	cap round 22 X 28 X 4,7		2							
13	999 703 366 40	plug		2							
(14)	993 537 711 01	joint rubber	/V/L -96	1							
14	993 537 712 01	joint rubber	/V/R -96	1							
(15)	993 531 713 00	joint rubber	/H/L	1							
	01C	satin black									
15	993 531 714 00	joint rubber	/H/R	1							
	01C	satin black									
(16)	993 542 095 00	additional gasket	/L -96	1							
16	993 542 096 00	additional gasket	/R -96	1							
(16)	993 542 095 05	additional gasket	/L 97-	1							
16	993 542 096 05	additional gasket	/R 97-	1							
17	900 116 011 02	lock washer		2							
18	803 803 583	rubber sleeve		2							
19	N 900 577 02	washer 8,5		2							
20	-	see group 8/05/00									
21	-	see group 8/05/00									
		- - - E N D - - -									

Model	Year	MG	SG	Illustration	Restrictions	Update	9:59	25.08.2006	PORSCHE	PET	PORSCHE
993	98	8	04	804-30		203					

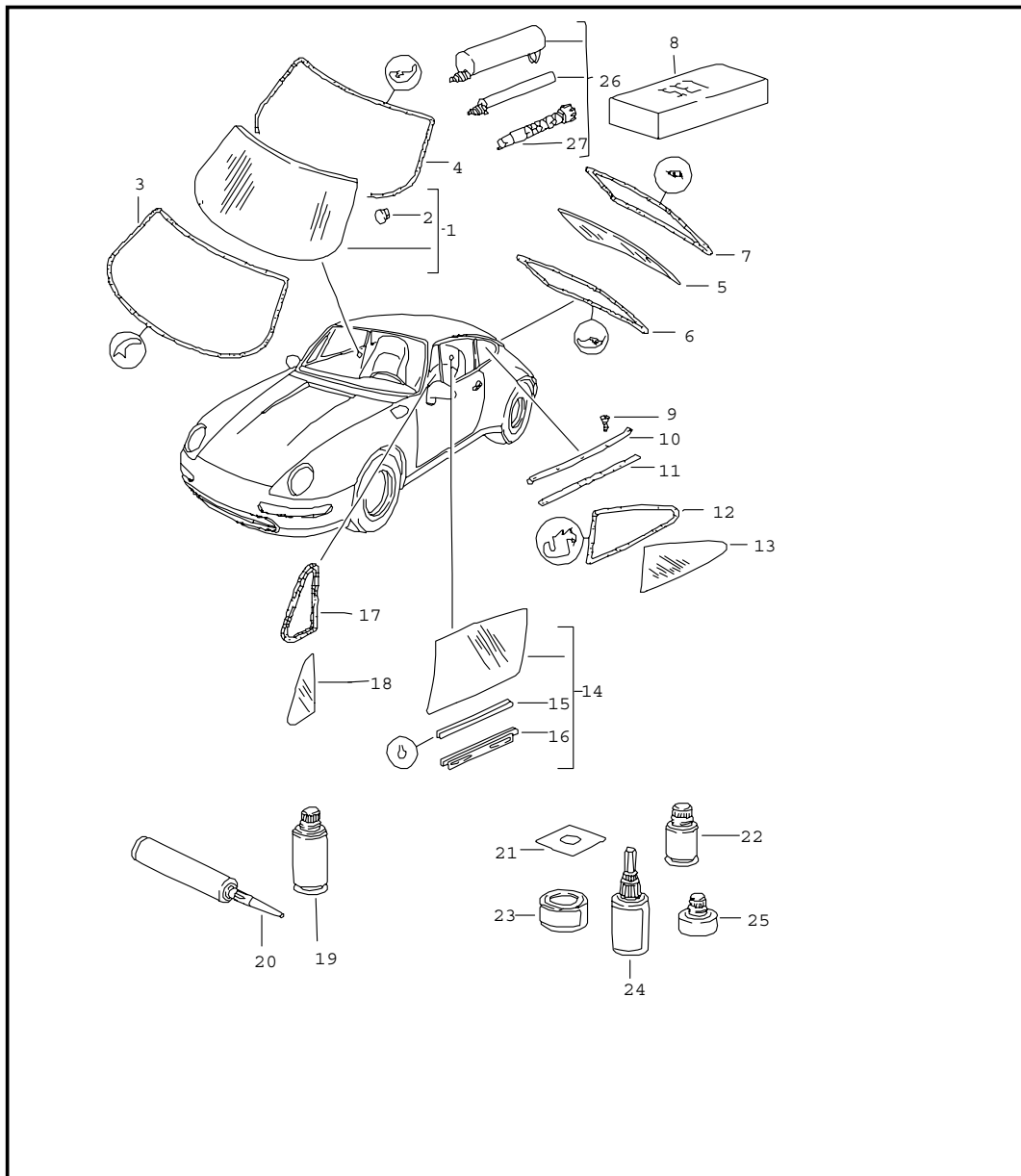


Pos	Part Number	Name	Remarks	Qty	Model
		door glass frame			CABRIO/TARGA
(1)	993 542 129 01	door glass frame	/L -96	1	CABRIO
	70K	black see tpi group 8 NR.46/96			
1	993 542 130 01	door glass frame	/R -96	1	CABRIO
	70K	black see tpi group 8 NR.46/96			
(1)	993 542 129 02	door glass frame	/L -96	1	TARGA
	70K	black see tpi group 8 NR.46/96			
(1)	993 542 130 02	door glass frame	/R -96	1	TARGA
	70K	black see tpi group 8 NR.46/96			
(1)	993 542 067 05	door glass frame	/L 97-	1	CABRIO
	70K	black			
1	993 542 068 05	door glass frame	/R 97-	1	CABRIO
	70K	black			
(1)	993 542 067 06	door glass frame	/L 97-	1	TARGA
	70K	black			
1	993 542 068 06	door glass frame	/R 97-	1	TARGA
	70K	black			
2	999 218 008 02	pan-head screw M 8 X 12 micro-self-locking		6	CABRIO
3	911 542 236 40	plate		2	CABRIO
4	900 025 007 02	washer 8,4		2	

Model	Year	MG	SG	Illustration	Restrictions	Update	9:59	25.08.2006	PORSCHE	PET	PORSCHE
993	98	8	04	804-30		203					

Pos	Part Number	Name	Remarks	Qty	Model	Pos	Part Number	Name	Remarks	Qty	Model
5	900 151 026 02	washer 10,5		2		19	-	see group 8/05/05			
6	999 218 045 07	pan-head screw M 8 X 16		2		20	-	see group 8/05/05			
(7)	993 542 415 00	angle	/L -96	1				- - - E N D - - -			
7	993 542 416 00	angle	/R -96	1							
(7)	993 542 315 00	angle	/L 97-	1							
7	993 542 316 00	angle	/R 97-	1							
8	993 542 417 00	plate		2							
(9)	993 542 095 01	additional gasket	/L -96	1	CABRIO						
9	993 542 096 01	additional gasket	/R -96	1	CABRIO						
(9)	993 542 095 04	additional gasket	/L 97-	1	CABRIO						
9	993 542 096 04	additional gasket	/R 97-	1	CABRIO						
(9)	993 542 095 02	additional gasket	/L	1	TARGA						
(9)	993 542 096 02	additional gasket	/R	1	TARGA						
(10)	993 537 711 01	joint rubber	/L -96	1	CABRIO						
10	993 537 712 01	joint rubber	/R -96	1	CABRIO						
11	999 703 366 40	plug	-96	2	CABRIO						
(12)	964 542 035 40	guide	/L	1							
	70K	black									
12	964 542 036 40	guide	/R	1							
	70K	black									
13	911 542 237 40	plate		2							
14	900 119 035 02	pan-head screw M 6 X 8		6							
15	N 011 550 1	washer A 6,5		2							
16	999 703 344 40	cap round 22 X 28 X 4,7		2							
17	803 803 583	rubber sleeve		2							
18	999 703 345 40	cap oval		4	CABRIO						

Model	Year	MG	SG	Illustration	Restrictions	Update	10:00	25.08.2006	PORSCHE	PET	PORSCHE
993	98	8	05	805-00		203					

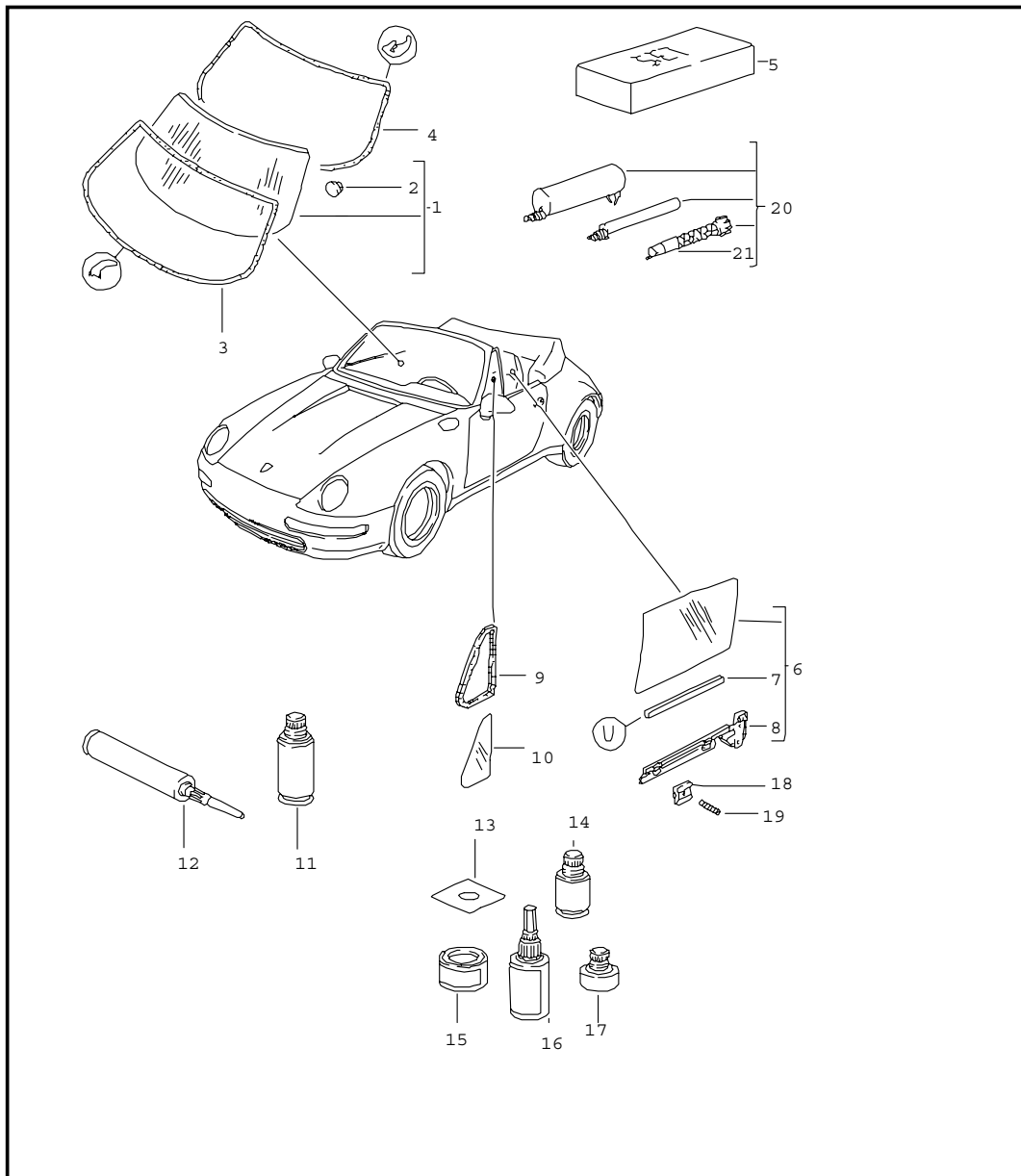


Pos	Part Number	Name	Remarks	Qty	Model
		windows			COUPE
1	993 541 911 00	windscreen tinted F >>99RS3 14551		1	
(1)	993 541 911 01	windscreen tinted upper part: dark green F >>99RS3 14551		1	
1 A	993 541 111 05	windscreen tinted F 99RS3 14552>>		1	
1	993 541 111 05	windscreen tinted F 99RS3 14552>>		1	
(1) A	993 541 111 06	windscreen tinted upper part: dark green F 99RS3 14552>>		1	
(1)	993 541 111 06	windscreen tinted upper part: dark green F 99RS3 14552>>		1	
2	477 845 043	adhesive plate F >>99RS3 14551		1	
(2)	000 731 513 00	adhesive plate F 99RS3 14552>>		1	
3 A	993 541 925 00	frame outer		1	
3	993 541 925 00	frame outer		1	
4	993 541 435 01	frame inner		1	
5	993 545 107 05	rear window	94	1	
(5)	993 545 107 06	rear window	94	1	M 425
5 A	993 545 107 08	rear window	95-	1	
5 A	993 545 107 12	rear window	95-	1	
5	993 545 107 12	rear window	95-	1	
(5) A	993 545 107 09	rear window	95-	1	M 425
(5) A	993 545 107 13	rear window	95-	1	M 425

Model	Year	MG	SG	Illustration	Restrictions	Update	10:00	25.08.2006	PORSCHE	PET	PORSCHE
993	98	8	05	805-00		203					

Pos	Part Number	Name	Remarks	Qty	Model	Pos	Part Number	Name	Remarks	Qty	Model
(5)	993 545 107 13	rear window	95-	1	M 425	15	911 542 491 40	rubber ply		2	
(5)	993 545 107 07	rear window		1	CARRERA RS	16	911 542 057 00	window lifter rail	/L	1	
6 A	993 545 335 02	cover strip		1		(16)	911 542 058 00	window lifter rail	/R	1	
6	993 545 335 02	frame inner		1		17	993 542 721 00	sealing frame	/L	1	
7	993 545 925 00	frame outer	94	1		(17)	993 542 722 00	sealing frame	/R	1	
7	993 545 225 02	frame outer	95-	1		18	993 542 511 00	side window	/L	1	
8	000 043 203 42	adhesive set rear window for windscreen order also: POS.26		X		(18)	993 542 512 00	side window	/R	1	CARRERA RS
-	000 043 203 48	sealing compound for windscreen rear window		X		(18)	993 542 512 02	side window	/L	1	CARRERA RS
9	900 144 017 07	tapping screw B 2,9 X 13		10		19	999 915 478 40	cleaning agents 1000 ML		X	
10	911 543 195 02	moulding 70K black	/L	1		20	000 043 204 82	adhesive adhesive set for interior mirror see technical information GR.6 NR.5/91		X	
(10)	911 543 196 02	moulding 70K black	/R	1		21	000 043 177 00	cover foil F >>99RS3 14551		1	
11	000 043 129 00	sealing strap roller with 10 meters		X		21	000 043 177 01	cover foil F 99RS3 14552>>		1	
12	993 543 435 00	sealing frame	/L	1		22	000 043 157 00	cleaning agents		X	
(12)	993 543 436 00	sealing frame	/R	1		23	000 043 158 00	PRIMER		X	
13	993 543 101 00	rear glass	/L	1		24	000 043 051 00	adhesive		X	
(13)	993 543 102 00	rear glass	/R	1		25	000 043 202 65	loctite		X	
14	993 542 011 01	door glass	/L	1		26	000 043 203 43	adhesive		X	
(14)	993 542 012 01	door glass	/R	1		27	000 043 203 50	mixing tube		X	
(14)	993 542 011 02	door glass	/L	1	CARRERA RS						
(14) A	993 542 012 02	door glass	/R	1	CARRERA RS						
(14)	993 542 012 02	door glass	/R	1	CARRERA RS						

Model	Year	MG	SG	Illustration	Restrictions	Update	10:00	25.08.2006	PORSCHE	PET	PORSCHE
993	98	8	05	805-05		203					

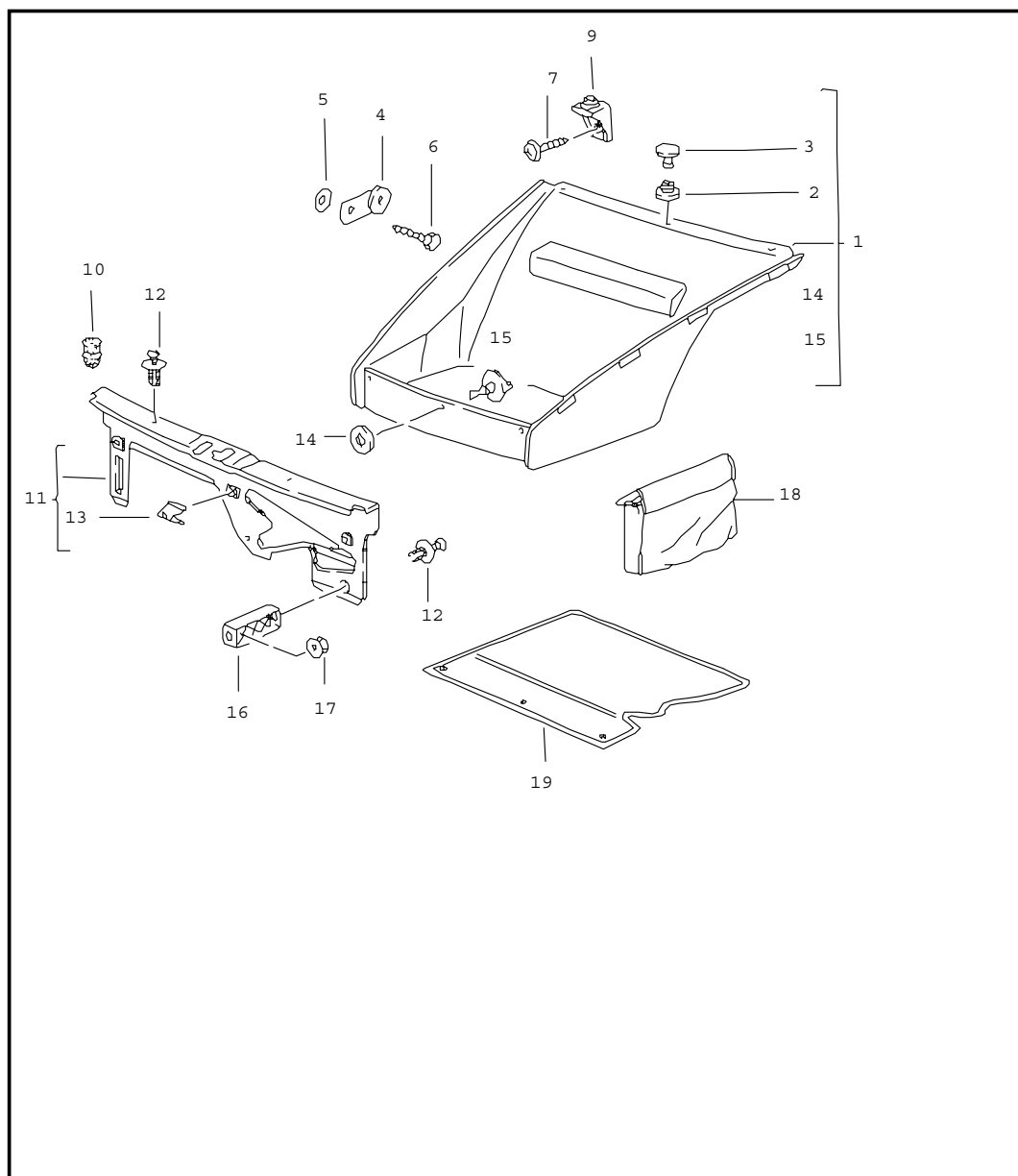


Pos	Part Number	Name	Remarks	Qty	Model
		windows			CABRIO/TARGA
1	993 541 911 00	windscreen tinted		1	
(1)	993 541 911 01	windscreen tinted upper part: dark green		1	
1 A	993 541 111 05	windscreen tinted		1	
(1)	993 541 111 05	windscreen tinted		1	
(1) A	993 541 111 06	windscreen tinted upper part: dark green		1	
(1)	993 541 111 06	windscreen tinted upper part: dark green		1	
2	477 845 043	adhesive plate		1	
(2)	000 731 513 00	adhesive plate		1	
3 A	993 541 925 00	frame outer		1	
3	993 541 925 00	frame outer		1	
4	993 541 435 01	frame inner		1	
5	000 043 203 42	adhesive set order also: POS.20		X	
6	993 542 011 00	door glass	/L	1	CABRIO
(6) A	993 542 012 00	door glass	/R	1	CABRIO
(6)	993 542 012 00	door glass	/R	1	CABRIO
(6)	993 542 011 03	door glass	/L	1	TARGA
(6)	993 542 012 03	door glass	/R	1	TARGA
7	911 542 491 41	rubber ply		2	
8	993 542 057 00	window lifter rail	/L	1	
(8)	993 542 058 00	window lifter rail	/R	1	
9	993 542 721 00	sealing frame	/L	1	

Model	Year	MG	SG	Illustration	Restrictions	Update	10:00	25.08.2006	PORSCHE	PET	PORSCHE
993	98	8	05	805-05		203					

Pos	Part Number	Name	Remarks	Qty	Model	Pos	Part Number	Name	Remarks	Qty	Model
(9)	993 542 722 00	sealing frame	/R	1							
10	993 542 511 00	side window	/L	1							
(10)	993 542 512 00	side window	/R	1							
11	999 915 478 40	cleaning agents 1000 ML		X							
12	000 043 204 82	adhesive adhesive for interior mirror see technical information GR.6 NR.5/91		X							
13	000 043 177 00	cover foil		1							
14	000 043 157 00	cleaning agents		X							
15	000 043 158 00	PRIMER		X							
16	000 043 051 00	adhesive		X							
17	000 043 202 65	loctite		X							
18	993 537 681 00	stop		4							
19	900 244 012 02	threaded pin M 6 X 10 micro-self-locking		4							
20	000 043 203 43	adhesive		X							
21	000 043 203 50	mixing tube A F >>99RS3 30457 B F 99RS3 30458>> - - - E N D - - -		X							

Model	Year	MG	SG	Illustration	Restrictions	Update	10:00	25.08.2006	PORSCHE	PET	PORSCHE
993	98	8	07	807-00		203					

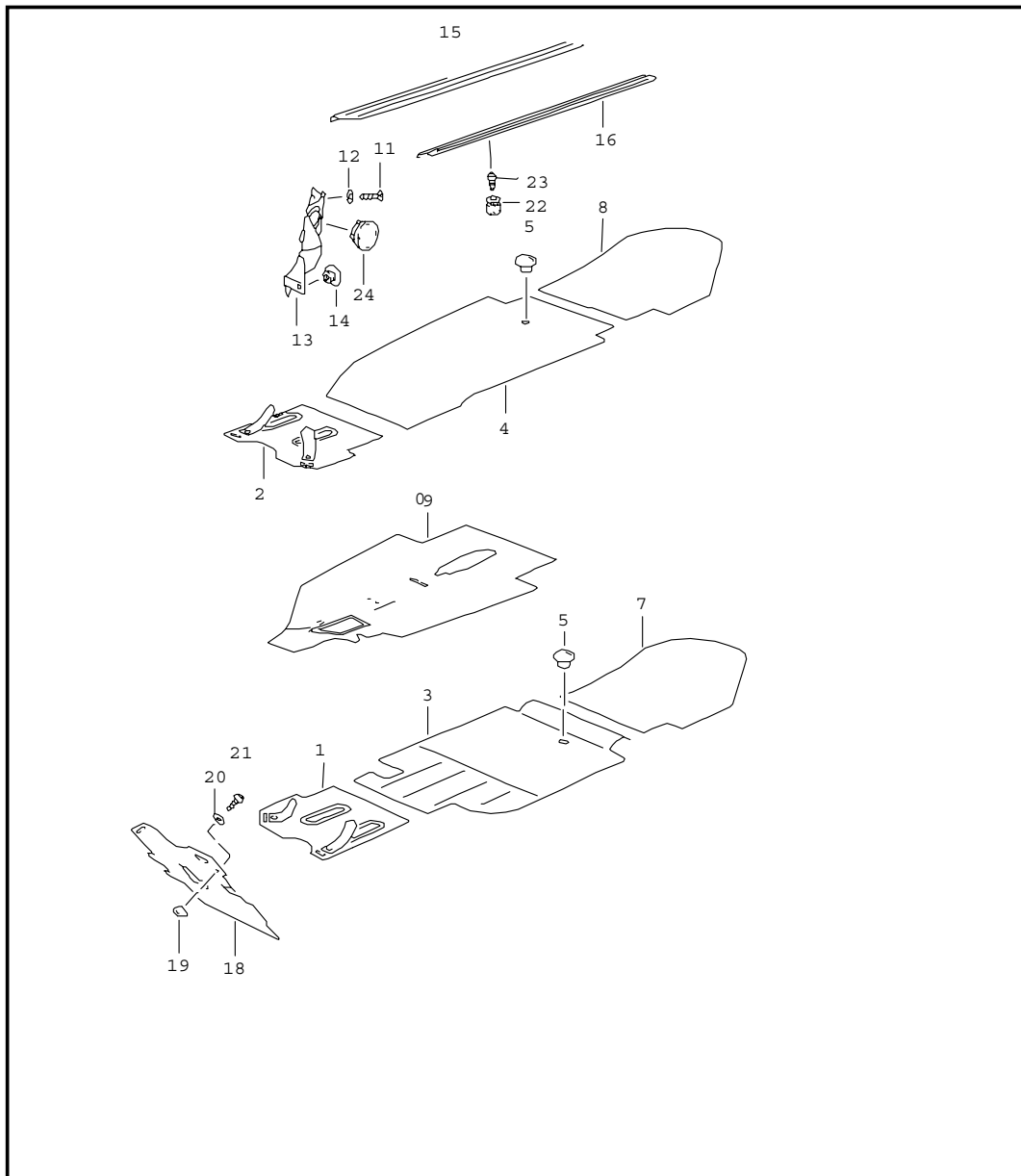


Pos	Part Number	Name	Remarks	Qty	Model
		interior equipment front trunk			
(1)	993 551 067 03	front-compartment carpet carpet		1	M 544
	5FV	black			
(1)	993 551 067 04	front-compartment carpet for cars with cd player order also: POS.18 carpet	-95	1	M 544
	5FV	black			
(1)	993 551 067 05	front-compartment carpet carpet		1	M 545
	5FV	black			
(1)	993 551 067 08	front-compartment carpet for cars with cd player	96-	1	M 544
	5FV	black			
(1)	993 551 067 10	front-compartment carpet carpet for cars with cd player	96-	1	M 545
	5FV	black			
2	999 591 836 17	push button		3	
3	999 591 838 17	cap		3	
4	964 503 375 00	desk pad		8	
5	999 704 157 40	washer 5,5 X 18 X 1,5		8	
6	900 187 010 02	tapping screw BZ 6,3 X 19	-94	8	
6	900 187 143 02	tapping screw 6,3 X 16	95-	8	
7	900 143 151 02	screw 4,2 X 16		5	
9	964 624 033 00	retaining bracket		5	
10	999 703 036 50	rubber buffer 12 X 18 X 27		2	

Model	Year	MG	SG	Illustration	Restrictions	Update	10:00	25.08.2006	PORSCHE	PET	PORSCHE
993	98	8	07	807-00		203					

Pos	Part Number	Name	Remarks	Qty	Model	Pos	Part Number	Name	Remarks	Qty	Model
11	993 555 085 00	cover		1							
	01C	satin black									
-	993 002 722 00	sticker indication sticker first-aid kit		1							
12	999 507 427 40	expander nut 6,3		3							
13	999 590 038 09	catch 5		3							
14	999 025 236 40	washer		3							
15	999 590 037 40	bolt		3							
16	993 504 587 00	support		1							
17	999 049 008 40	plastic nut T 5		1							
18	993 555 675 00	lining cd changer	-95	1							
	5FV	black									
18	993 555 675 02	lining cd changer	96-	1							
	5FV	black									
	A16	anthracite	96-								
19	993 551 067 06	boot floor carpet		1	CARRERA RS:						
	A16	anthracite			M 002						
		- - - E N D - - -									

Model	Year	MG	SG	Illustration	Restrictions	Update	10:00	25.08.2006	PORSCHE	PET	PORSCHE
993	98	8	07	807-01		203					



Pos	Part Number	Name	Remarks	Qty	Model
1	964 551 015 00	linings footwell detachable carpets floorboard carpet carpet 5FV black 8UT cashmere beige 4XR classic grey 3GE midnight blue 6SC chestnut brown DDQ florentine grey 1HQ provence blue 2JP cedar green 3TE flamenco red	/LL/L94	1	M 480
(1)	964 551 015 01	floorboard carpet carpet 5FV black 8UT cashmere beige 4XR classic grey 3GE midnight blue 6SC chestnut brown DDQ florentine grey 1HQ provence blue 2JP cedar green 3TE flamenco red	/LL/L94	1	M 249
(1)	993 551 015 00	floorboard carpet carpet 5FV black 8UT cashmere beige 4XR classic grey 3GE midnight blue 6SC chestnut brown	/LL/L95-	1	M 480

Model	Year	MG	SG	Illustration	Restrictions	Update	10:00	25.08.2006	PORSCHE	PET	PORSCHE
993	98	8	07	807-01		203					

Pos	Part Number	Name	Remarks	Qty	Model	Pos	Part Number	Name	Remarks	Qty	Model
	DDQ	florentine grey	-96				DDQ	florentine grey	-96		
	DDQ	florentine grey	97		(GB)		1HQ	provence blue	-96		
	1HQ	provence blue	-96				2JP	cedar green	-96		
	2JP	cedar green	-96				3TE	flamenco red	-96		
	3TE	flamenco red	-96			(2)	964 551 016 01	floorboard carpet carpet	/RL/R94	1	M 249
	8AS	rubicon grey	96-				5FV	black			
	J30	nephrite green	97-				8UT	cashmere beige			
	M30	boxster red	97-				4XR	classic grey			
(1)	993 551 015 01	floorboard carpet carpet	/LL/L95-	1	M 249		3GE	midnight blue			
	5FV	black					6SC	chestnut brown			
	8UT	cashmere beige					DDQ	florentine grey	-96		
	4XR	classic grey					1HQ	provence blue	-96		
	3GE	midnight blue					2JP	cedar green	-96		
	6SC	chestnut brown					3TE	flamenco red	-96		
	DDQ	florentine grey	-96			(2)	964 551 016 01	floorboard carpet carpet	/RL/R	1	M 249 (AUS)
	DDQ	florentine grey	97		(GB)		F	>>99RS3 14759			
	1HQ	provence blue	-96				F	>>99RS3 15710			
	2JP	cedar green	-96				F	>>99RS3 15736			
	3TE	flamenco red	-96				F	>>99RS3 15816			
	8AS	rubicon grey	96-				F	>>99RS3 15835			
	J30	nephrite green	97-				F	>>99RS3 31262			
	M30	boxster red	97-				F	>>99RS3 31264			
							F	>>99RS3 31290			
							F	>>99RS3 31342			
							F	>>99RS3 31506			
							F	>>99RS3 31408			
							F	>>99RS3 14865			
							F	>>99RS3 14918			
							F	>>99RS3 30855			
							F	>>99RS3 31070			
							F	>>99RS3 14788			
2	964 551 016 02	floorboard carpet carpet	/RL/R94	1	M 480		5FV	black			
	5FV	black					8UT	cashmere beige			
	8UT	cashmere beige					4XR	classic grey			
	4XR	classic grey					3GE	midnight blue			
	3GE	midnight blue					6SC	chestnut brown			
	6SC	chestnut brown									

Model	Year	MG	SG	Illustration	Restrictions	Update	10:00	25.08.2006	PORSCHE	PET	PORSCHE
993	98	8	07	807-01		203					

Pos	Part Number	Name	Remarks	Qty	Model	Pos	Part Number	Name	Remarks	Qty	Model
	DDQ	florentine grey	-96				3TE	flamenco red	-96		
	DDQ	florentine grey	97		(GB)		8AS	rubicon grey	96-		
	1HQ	provence blue	-96			(2)	993 551 016 01	floorboard carpet	/RL/R	1	M 249 (AUS)
	2JP	cedar green	-96					carpet			
	3TE	flamenco red	-96					F 99RS3 14760>>			
	8AS	rubicon grey	96-					F 99RS3 15711>>			
(2)	993 551 016 00	floorboard carpet	/RL/R95-	1	M 480			F 99RS3 15737>>			
		carpet						F 99RS3 15817>>			
	5FV	black						F 99RS3 15836>>			
	8UT	cashmere beige						F 99RS3 31263>>			
	4XR	classic grey						F 99RS3 31265>>			
	3GE	midnight blue						F 99RS3 31291>>			
	6SC	chestnut brown						F 99RS3 31343>>			
	DDQ	florentine grey	-96					F 99RS3 31507>>			
	DDQ	florentine grey	97		(GB)			F 99RS3 31409>>			
	1HQ	provence blue	-96					F 99RS3 14866>>			
	2JP	cedar green	-96					F 99RS3 14919>>			
	3TE	flamenco red	-96					F 99RS3 30856>>			
	8AS	rubicon grey	96-					F 99RS3 31071>>			
(2)	993 551 016 01	floorboard carpet	/RL/R95-	1	M 249			F 99RS3 14789>>			
		carpet									
	5FV	black						5FV	black		
	8UT	cashmere beige						8UT	cashmere beige		
	4XR	classic grey						4XR	classic grey		
	3GE	midnight blue						3GE	midnight blue		
	6SC	chestnut brown						6SC	chestnut brown		
	DDQ	florentine grey	-96					DDQ	florentine grey	-96	
	DDQ	florentine grey	97		(GB)			DDQ	florentine grey	97	(GB)
	1HQ	provence blue	-96					1HQ	provence blue	-96	
	2JP	cedar green	-96					2JP	cedar green	-96	
	3TE	flamenco red	-96					3TE	flamenco red	-96	
	8AS	rubicon grey	96-					8AS	rubicon grey	96-	
(2)	993 551 016 01	floorboard carpet	/RL/R95-	1	M 249			993 551 021 00	carpet	/LL/L94	1
		carpet				3		airbag			M 480
		carpet						carpet			
	5FV	black						5FV	black		
	8UT	cashmere beige						8UT	cashmere beige		
	4XR	classic grey			(GB)			4XR	classic grey		
	3GE	midnight blue	-96					3GE	midnight blue		
	2JP	cedar green	-96					6SC	chestnut brown		

Model	Year	MG	SG	Illustration	Restrictions	Update	10:00	25.08.2006	PORSCHE	PET	PORSCHE
993	98	8	07	807-01		203					

Pos	Part Number	Name	Remarks	Qty	Model	Pos	Part Number	Name	Remarks	Qty	Model
	DDQ	florentine grey	-96				M30	boxster red	97-		
	1HQ	provence blue	-96			(3)	993 551 021 02	carpet airbag carpet	/RL/L94	1	M 480
	2JP	cedar green	-96				5FV	black			
	3TE	flamenco red	-96				8UT	cashmere beige			
(3)	A 993 551 021 01	carpet airbag carpet	/LL/L94	1	M 249		4XR	classic grey			
	5FV	black					3GE	midnight blue			
	8UT	cashmere beige					6SC	chestnut brown			
	4XR	classic grey					DDQ	florentine grey	-96		
	3GE	midnight blue					1HQ	provence blue	-96		
	6SC	chestnut brown					2JP	cedar green	-96		
	DDQ	florentine grey	-96				3TE	flamenco red	-96		
	1HQ	provence blue	-96			(3)	A 993 551 021 03	carpet airbag carpet	/RL/L94	1	M 249
	2JP	cedar green	-96				5FV	black			
	3TE	flamenco red	-96				8UT	cashmere beige			
3	993 551 021 00	carpet airbag carpet	/LL/L	1			4XR	classic grey			
	5FV	black					3GE	midnight blue			
	8UT	cashmere beige					6SC	chestnut brown			
	4XR	classic grey					DDQ	florentine grey	-96		
	3GE	midnight blue					1HQ	provence blue	-96		
	6SC	chestnut brown					2JP	cedar green	-96		
	DDQ	florentine grey	-96				3TE	flamenco red	-96		
	DDQ	florentine grey	97		(GB)	(3)	993 551 021 02	carpet airbag carpet	/RL/L	1	
	1HQ	provence blue	-96				5FV	black			
	2JP	cedar green	-96				8UT	cashmere beige			
	3TE	flamenco red	-96				4XR	classic grey			
	8AS	rubicon grey	96-				3GE	midnight blue			
	J30	nephrite green	97-								

Model	Year	MG	SG	Illustration	Restrictions	Update	10:00	25.08.2006	PORSCHE	PET	PORSCHE
993	98	8	07	807-01		203					

Pos	Part Number	Name	Remarks	Qty	Model	Pos	Part Number	Name	Remarks	Qty	Model
	6SC	chestnut brown					6SC	chestnut brown			
	DDQ	florentine grey	-96				DDQ	florentine grey	-96		
	DDQ	florentine grey	97		(GB)		1HQ	provence blue	-96		
	1HQ	provence blue	-96				2JP	cedar green	-96		
	2JP	cedar green	-96				3TE	flamenco red	-96		
	3TE	flamenco red	-96			(4)	993 551 022 01	carpet carpet	/RL/R95-	1	
	8AS	rubicon grey	96-				5FV	black			
	J30	nephrite green	97-				8UT	cashmere beige			
	M30	boxster red	97-				4XR	classic grey			
4	993 551 022 00	carpet carpet	/LL/R	1			3GE	midnight blue			
	5FV	black					6SC	chestnut brown			
	8UT	cashmere beige					DDQ	florentine grey	-96		
	4XR	classic grey					DDQ	florentine grey	97		(GB)
	3GE	midnight blue					1HQ	provence blue	-96		
	6SC	chestnut brown					2JP	cedar green	-96		
	DDQ	florentine grey	-96				3TE	flamenco red	-96		
	DDQ	florentine grey	97		(GB)		8AS	rubicon grey	96-		
	1HQ	provence blue	-96				J30	nephrite green	97-		
	2JP	cedar green	-96				M30	boxster red	97-		
	3TE	flamenco red	-96			(4)	993 551 022 02	carpet carpet	/RL/R94	1	M 249
	8AS	rubicon grey	96-				5FV	black			
	J30	nephrite green	97-				8UT	cashmere beige			
	M30	boxster red	97-				4XR	classic grey			
(4)	993 551 022 01	carpet carpet	/RL/R94	1	M 480		3GE	midnight blue			
	5FV	black					6SC	chestnut brown			
	8UT	cashmere beige					DDQ	florentine grey	-96		
	4XR	classic grey					1HQ	provence blue	-96		
	3GE	midnight blue					2JP	cedar green	-96		

Model	Year	MG	SG	Illustration	Restrictions	Update	10:00	25.08.2006	PORSCHE	PET	PORSCHE
993	98	8	07	807-01		203					

Pos	Part Number	Name	Remarks	Qty	Model	Pos	Part Number	Name	Remarks	Qty	Model
	3TE	flamenco red	-96				J30	nephrite green	97-		
5	999 049 011 40	push button		2			M30	boxster red	97-		
7	964 551 013 00	carpet carpet	/H/L	1		9	993 551 023 00	carpet for tunnel carpet	/LL	1	
	5FV	black					5FV	black			
	8UT	cashmere beige					8UT	cashmere beige			
	4XR	classic grey					4XR	classic grey			
	3GE	midnight blue					3GE	midnight blue			
	6SC	chestnut brown					6SC	chestnut brown			
	DDQ	florentine grey	-96				DDQ	florentine grey	-96		
	DDQ	florentine grey	97		(GB)		DDQ	florentine grey	97		(GB)
	1HQ	provence blue	-96				1HQ	provence blue	-96		
	2JP	cedar green	-96				2JP	cedar green	-96		
	3TE	flamenco red	-96				3TE	flamenco red	-96		
	8AS	rubicon grey	96-				8AS	rubicon grey	96-		
	J30	nephrite green	97-				J30	nephrite green	97-		
	M30	boxster red	97-				M30	boxster red	97-		
8	964 551 014 00	carpet carpet	/H/R	1		(9)	993 551 024 00	carpet for tunnel carpet	/RL	1	
	5FV	black					5FV	black			
	8UT	cashmere beige					8UT	cashmere beige			
	4XR	classic grey					4XR	classic grey			
	3GE	midnight blue					3GE	midnight blue			
	6SC	chestnut brown					6SC	chestnut brown			
	DDQ	florentine grey	-96				DDQ	florentine grey	-96		
	DDQ	florentine grey	97		(GB)		DDQ	florentine grey	97		(GB)
	1HQ	provence blue	-96				1HQ	provence blue	-96		
	2JP	cedar green	-96				2JP	cedar green	-96		
	3TE	flamenco red	-96				3TE	flamenco red	-96		
	8AS	rubicon grey	96-				8AS	rubicon grey	96-		

Model	Year	MG	SG	Illustration	Restrictions	Update	10:00	25.08.2006	PORSCHE	PET	PORSCHE
993	98	8	07	807-01		203					

Pos	Part Number	Name	Remarks	Qty	Model	Pos	Part Number	Name	Remarks	Qty	Model
	J30	nephrite green	97-				2JP	cedar green	-96		
	M30	boxster red	97-				3TE	flamenco red	-96		
11	900 145 070 07	tapping screw B 3,5 X 16		4			8AS	rubicon grey	96-		
12	999 591 102 17	washer 3,5		4			J30	nephrite green	97-		
(13)	993 551 049 03	lining for cars without airbag carpet	/LL/L	1	CARRERA RS: M 002	13	993 551 050 01	lining for cars with airbag carpet	/LL/R94	1	
	5FV	black					5FV	black			
(13)	993 551 049 04	lining for cars without airbag carpet	/RL/L	1	CARRERA RS: M 002		8UT	cashmere beige			
	5FV	black					4XR	classic grey			
(13)	993 551 050 03	lining for cars without airbag carpet	/LL/R	1	CARRERA RS: M 002		3GE	midnight blue			
	5FV	black					6SC	chestnut brown			
(13)	993 551 050 04	lining for cars without airbag carpet	/RL/R	1	CARRERA RS: M 002	(13)	DDQ	florentine grey	-96		
	5FV	black					1HQ	provence blue	-96		
(13)	993 551 049 01	lining for cars with airbag carpet	/LL/L	1			2JP	cedar green	-96		
	5FV	black					3TE	flamenco red	-96		
	8UT	cashmere beige					(13)	993 551 050 05	lining for cars with airbag carpet	/LL/R95-	1
	4XR	classic grey					5FV	black			
	3GE	midnight blue					8UT	cashmere beige			
	6SC	chestnut brown					4XR	classic grey			
	DDQ	florentine grey	-96				3GE	midnight blue			
	DDQ	florentine grey	97		(GB)		6SC	chestnut brown			
	1HQ	provence blue	-96				DDQ	florentine grey	-96		
							DDQ	florentine grey	97		(GB)
							1HQ	provence blue	-96		
							2JP	cedar green	-96		
							3TE	flamenco red	-96		

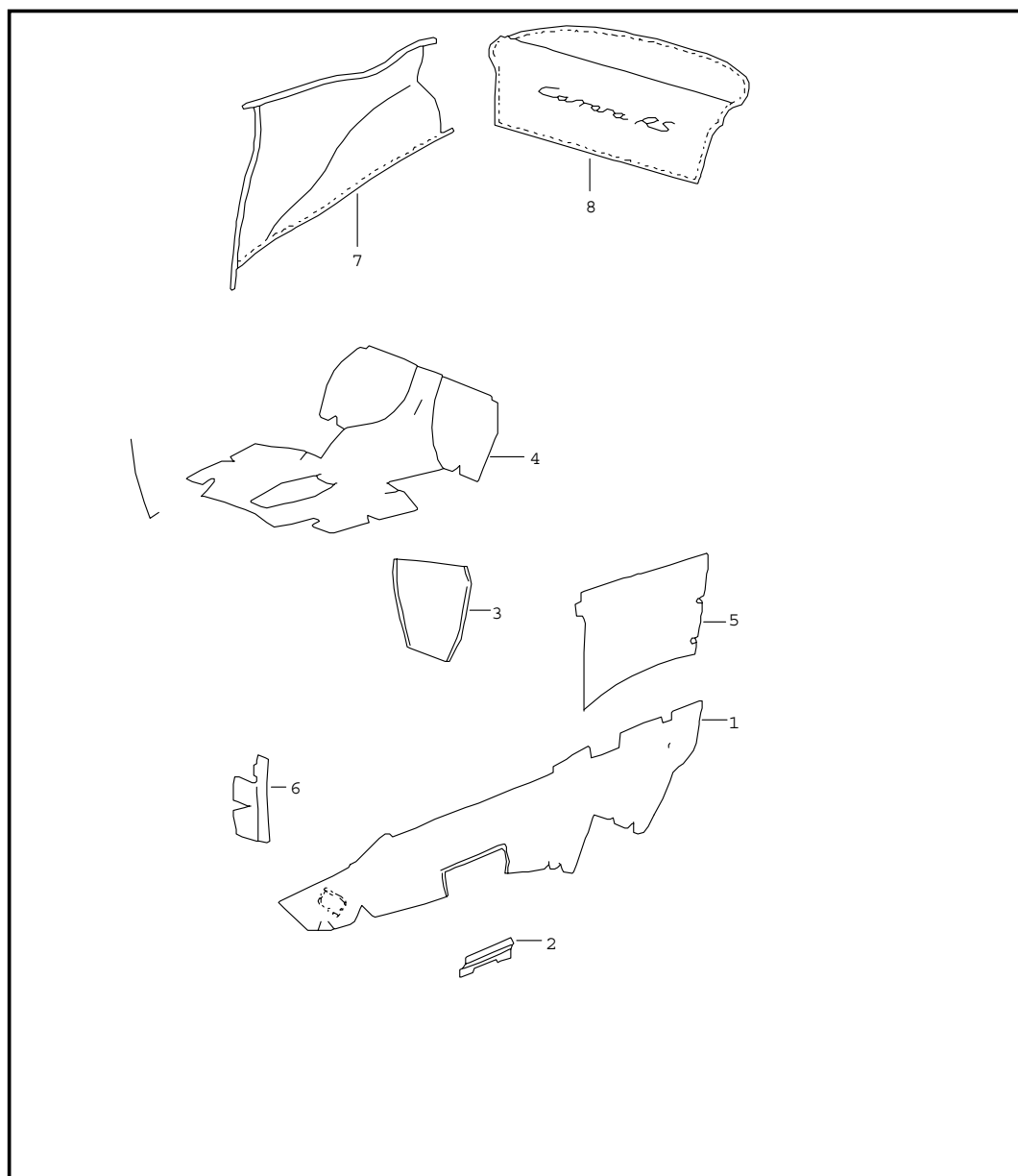
Model	Year	MG	SG	Illustration	Restrictions	Update	10:00	25.08.2006	PORSCHE	PET	PORSCHE
993	98	8	07	807-01		203					

Pos	Part Number	Name	Remarks	Qty	Model	Pos	Part Number	Name	Remarks	Qty	Model
	8AS	rubicon grey	96-				M30	boxster red	97-		
	J30	nephrite green	97-			(13)	993 551 050 02	lining for cars with airbag carpet	/RL/R	1	
	M30	boxster red	97-				5FV	black			
(13)	993 551 049 02	lining for cars with airbag carpet	/RL/L94	1			8UT	cashmere beige			
	5FV	black					4XR	classic grey			
	8UT	cashmere beige					3GE	midnight blue			
	4XR	classic grey					6SC	chestnut brown			
	3GE	midnight blue					DDQ	florentine grey	-96		
	6SC	chestnut brown					DDQ	florentine grey	97		(GB)
	DDQ	florentine grey	-96				1HQ	provence blue	-96		
	1HQ	provence blue	-96				2JP	cedar green	-96		
	2JP	cedar green	-96				3TE	flamenco red	-96		
	3TE	flamenco red	-96				8AS	rubicon grey	96-		
(13)	993 551 049 05	lining for cars with airbag carpet	/RL/L95-	1			J30	nephrite green	97-		
	M30	boxster red					M30	boxster red	97-		
	5FV	black				14	N 900 685 01	push button	94	1	
	8UT	cashmere beige				14	N 900 685 01	push button	95-	1	
	4XR	classic grey				(15)	911 551 619 00	rubber pad	/L	1	
	3GE	midnight blue				15	911 551 620 00	rubber pad	/R	1	
	6SC	chestnut brown				(15)	993 551 619 00	rubber pad	/L 97-	1	M 495
	DDQ	florentine grey	-96				61W	grey			
	DDQ	florentine grey	97		(GB)	15	993 551 620 00	rubber pad	/R 97-	1	M 495
	1HQ	provence blue	-96				61W	grey			
	2JP	cedar green	-96			16	A 964 551 419 00	cover strip	94	2	
	3TE	flamenco red	-96				01C	satin black			
	8AS	rubicon grey	96-			16	993 551 419 00	cover strip		2	
	J30	nephrite green	97-				01C	satin black use also:			

Model	Year	MG	SG	Illustration	Restrictions	Update	10:00	25.08.2006	PORSCHE	PET	PORSCHE
993	98	8	07	807-01		203					

Pos	Part Number	Name	Remarks	Qty	Model	Pos	Part Number	Name	Remarks	Qty	Model
-	999 507 484 40	POS.23	94	10		(18)	993 551 064 01	pedal floor board F 99RS3 14760>> F 99RS3 15711>> F 99RS3 15737>> F 99RS3 15817>> F 99RS3 15836>> F 99RS3 31263>> F 99RS3 31265>> F 99RS3 31291>> F 99RS3 31343>> F 99RS3 31507>> F 99RS3 31409>> F 99RS3 14866>> F 99RS3 14919>> F 99RS3 30856>> F 99RS3 31071>> F 99RS3 14789>>	/RL/R	1	M 249 (AUS)
18	964 551 601 00	pedal floor board	/LL/L94	1	M 480						
(18)	964 551 601 01	pedal floor board	/LL/L94	1	M 249						
18	993 551 063 00	pedal floor board	/LL/L95-	1	M 480						
(18)	993 551 063 01	pedal floor board	/LL/L95-	1	M 249						
(18)	965 551 064 00	pedal floor board	/RL/R94	1	M 480						
	01C	satin black									
(18)	964 551 602 01	pedal floor board	/RL/R94	1	M 249						
(18)	964 551 602 01	pedal floor board F >>99RS3 14759 F >>99RS3 15710 F >>99RS3 15736 F >>99RS3 15816 F >>99RS3 15835 F >>99RS3 31262 F >>99RS3 31264 F >>99RS3 31290 F >>99RS3 31342 F >>99RS3 31506 F >>99RS3 31408 F >>99RS3 14865 F >>99RS3 14918 F >>99RS3 30855 F >>99RS3 31070 F >>99RS3 14788	/RL/R	1	M 249 (AUS)			01C satin black			
						19	999 591 850 02	speed nut B 4,2		3	
						20	N 015 392 2	washer B 4,7	94	3	
						21	900 143 007 02	tapping screw B 4,2 X 13	94	3	
						(21)	900 143 151 02	screw 4,2 X 16	95-	3	
						22	999 702 202 50	grommet 4,8 X 9 X 1,55	94	10	
(18)	993 551 064 00	pedal floor board	/RL/R95-	1	M 480	23	999 507 365 40	plug 6 X 15,4	94	10	
	01C	satin black				23	999 507 484 40	clamp 9	95-	10	
(18)	993 551 064 01	pedal floor board	/RL/R95-	1	M 249	24	964 612 114 00	cover	94	1	
	01C	satin black					01C	black data link connector - - - E N D - - -			

Model	Year	MG	SG	Illustration	Restrictions	Update	10:01	25.08.2006	PORSCHE	PET	PORSCHE
993	98	8	07	807-02		203					



Pos	Part Number	Name	Remarks	Qty	Model
		interior equipment adhesive carpets			
(1)	993 551 031 02	adhesive carpet door sill	/LL/L	1	
	5FV	black			
	4XR	classic grey			
	8UT	cashmere beige			
	3GE	midnight blue			
	6SC	chestnut brown			
	DDQ	florentine grey	-96		
	DDQ	florentine grey	97		(GB)
	1HQ	provence blue	-96		
	2JP	cedar green	-96		
	3TE	flamenco red	-96		
	8AS	rubicon grey	96-		
	J30	nephrite green	97-		
	M30	boxster red	97-		
(1)	993 551 032 02	adhesive carpet door sill	/LL/R	1	
	5FV	black			
	4XR	classic grey			
	8UT	cashmere beige			
	3GE	midnight blue			
	6SC	chestnut brown			
	DDQ	florentine grey	-96		
	DDQ	florentine grey	97		(GB)
	1HQ	provence blue	-96		
	2JP	cedar green	-96		
	3TE	flamenco red	-96		
	8AS	rubicon grey	96-		
	J30	nephrite green	97-		

Model	Year	MG	SG	Illustration	Restrictions	Update	10:01	25.08.2006	PORSCHE	PET	PORSCHE
993	98	8	07	807-02		203					

Pos	Part Number	Name	Remarks	Qty	Model	Pos	Part Number	Name	Remarks	Qty	Model
	M30	boxster red	97-				M30	boxster red	97-		
(1)	993 551 031 03	adhesive carpet door sill	/RL/L	1		2	964 551 433 00	cover plate	/L	1	
	5FV	black				(2)	964 551 434 00	cover plate seat rail support	/R	1	
	4XR	classic grey				(3)	964 551 057 02	adhesive carpet heel plate	/L	1	CARRERA RS: M 002
	8UT	cashmere beige					5FV	black			
	3GE	midnight blue				(3)	964 551 058 00	adhesive carpet heel plate	/R	1	CARRERA RS: M 002
	6SC	chestnut brown					5FV	black			
	DDQ	florentine grey	-96			3	993 551 057 00	adhesive carpet heel plate	/L	1	
	DDQ	florentine grey	97		(GB)		5FV	black			
	1HQ	provence blue	-96				8UT	cashmere beige			
	2JP	cedar green	-96				4XR	classic grey			
	3TE	flamenco red	-96				3GE	midnight blue			
	8AS	rubicon grey	96-				6SC	chestnut brown			
	J30	nephrite green	97-				DDQ	florentine grey	-96		
	M30	boxster red	97-				DDQ	florentine grey	97		(GB)
(1)	993 551 032 03	adhesive carpet door sill	/RL/R	1			1HQ	provence blue	-96		
	5FV	black					2JP	cedar green	-96		
	4XR	classic grey					3TE	flamenco red	-96		
	8UT	cashmere beige					8AS	rubicon grey	96-		
	3GE	midnight blue					J30	nephrite green	97-		
	6SC	chestnut brown					M30	boxster red	97-		
	DDQ	florentine grey	-96			(3)	993 551 058 00	adhesive carpet heel plate	/R	1	
	DDQ	florentine grey	97		(GB)		5FV	black			
	1HQ	provence blue	-96				8UT	cashmere beige			
	2JP	cedar green	-96				4XR	classic grey			
	3TE	flamenco red	-96				3GE	midnight blue			
	8AS	rubicon grey	96-				6SC	chestnut brown			
	J30	nephrite green	97-								

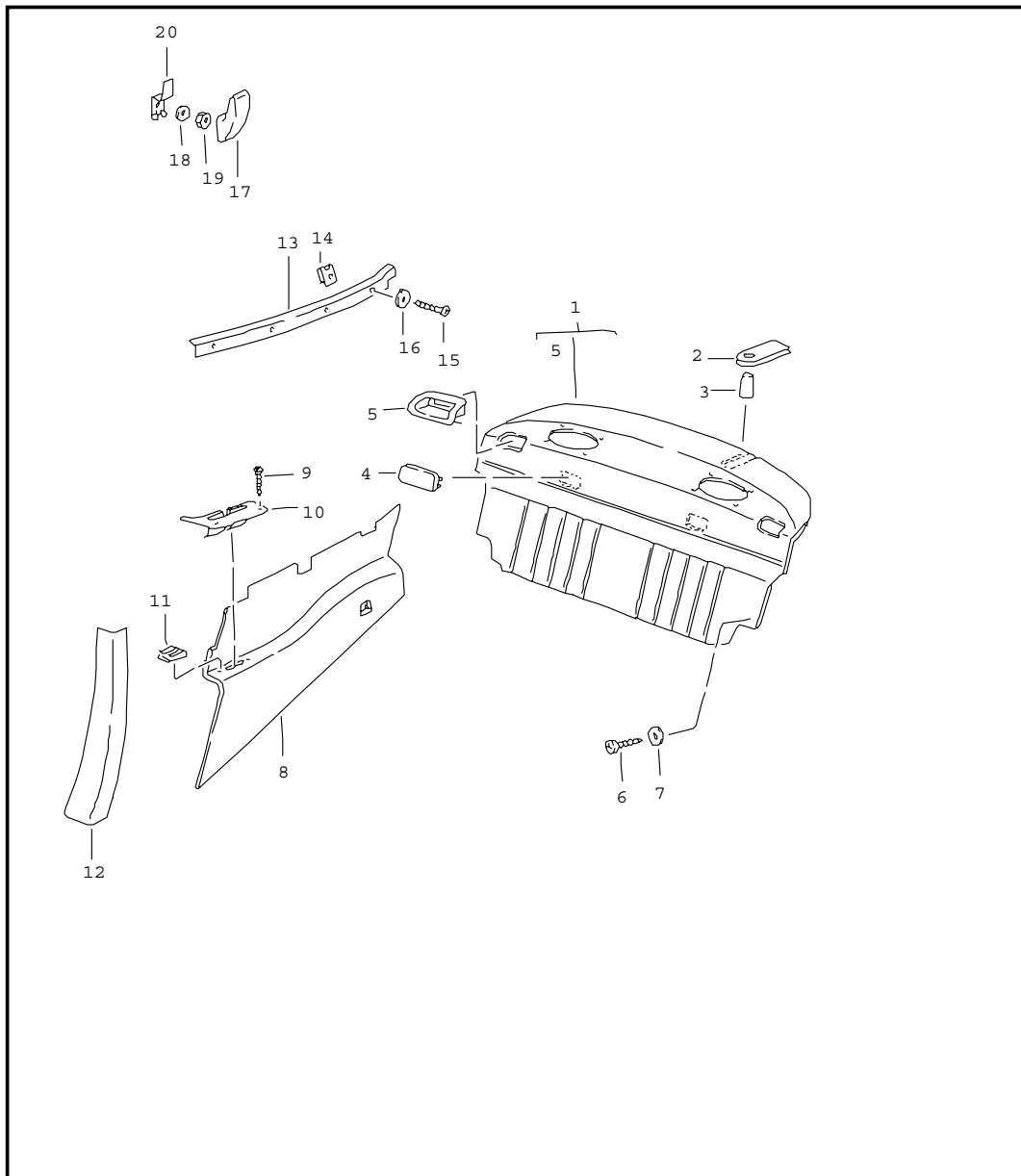
Model	Year	MG	SG	Illustration	Restrictions	Update	10:01	25.08.2006	PORSCHE	PET	PORSCHE
993	98	8	07	807-02		203					

Pos	Part Number	Name	Remarks	Qty	Model	Pos	Part Number	Name	Remarks	Qty	Model
	DDQ	florentine grey	-96				3GE	midnight blue			
	DDQ	florentine grey	97		(GB)		6SC	chestnut brown			
	1HQ	provence blue	-96				DDQ	florentine grey	-96		
	2JP	cedar green	-96				DDQ	florentine grey	97		(GB)
	3TE	flamenco red	-96				1HQ	provence blue	-96		
	8AS	rubicon grey	96-				2JP	cedar green	-96		
	J30	nephrite green	97-				3TE	flamenco red	-96		
	M30	boxster red	97-				8AS	rubicon grey	96-		
(4)	993 551 055 05	adhesive carpet seat well		1	CARRERA RS: M 002		J30	nephrite green	97-		
	5FV	black					M30	boxster red	97-		
4	993 551 055 02	adhesive carpet seat well		1	COUPE/CABRIO	(5)	993 551 771 00	adhesive carpet rear	/L	1	CABRIO
	5FV	black					5FV	black			
	8UT	cashmere beige					8UT	cashmere beige			
	4XR	classic grey					4XR	classic grey			
	3GE	midnight blue					3GE	midnight blue			
	6SC	chestnut brown					6SC	chestnut brown			
	DDQ	florentine grey	-96				D50	florentine grey	-96		
	DDQ	florentine grey	97		(GB)		D50	florentine grey	97		(GB)
	1HQ	provence blue	-96				1HQ	provence blue	-96		
	2JP	cedar green	-96				2JP	cedar green	-96		
	3TE	flamenco red	-96				3TE	flamenco red	-96		
	8AS	rubicon grey	96-				8AS	rubicon grey	96-		
	J30	nephrite green	97-				J30	nephrite green	97-		
	M30	boxster red	97-				M30	boxster red	97-		
(4)	993 551 055 03	adhesive carpet seat well		1	CABRIO:M 335	(5)	993 551 772 00	adhesive carpet rear	/R	1	CABRIO
	5FV	black					5FV	black			
	8UT	cashmere beige					8UT	cashmere beige			
	4XR	classic grey					4XR	classic grey			

Model	Year	MG	SG	Illustration	Restrictions	Update	10:01	25.08.2006	PORSCHE	PET	PORSCHE
993	98	8	07	807-02		203					

Pos	Part Number	Name	Remarks	Qty	Model	Pos	Part Number	Name	Remarks	Qty	Model
	3GE	midnight blue					5FV	black			
	6SC	chestnut brown				(6)	964 551 158 01	lining strap hinge pillar for cars with airbag carpet	/LL/R	1	
	D50	florentine grey	-96								
	D50	florentine grey	97		(GB)						
	1HQ	provence blue	-96				5FV	black			
	2JP	cedar green	-96			(6)	993 551 157 00	lining strap hinge pillar for cars with airbag carpet	/RL/L	1	
	3TE	flamenco red	-96								
	8AS	rubicon grey	96-								
	J30	nephrite green	97-				5FV	black			
	M30	boxster red	97-			(6)	993 551 158 00	lining strap hinge pillar for cars with airbag carpet	/RL/R	1	
(6)	964 551 157 00	lining strap hinge pillar for cars without airbag carpet	/LL/L	1	CARRERA RS: M 002/ M 561/564						
	5FV	black					5FV	black			
(6)	964 551 158 00	lining strap hinge pillar for cars without airbag carpet	/RL/R	1	CARRERA RS: M 002/ M 561/564	(7)	993 551 071 00	adhesive carpet side section	/L	1	CARRERA RS: M 002
	5FV	black					5FV	black			
(6)	964 551 307 01	lining strap hinge pillar for cars without airbag leather	/RL/L	1	CARRERA RS: M 002/ M 561/564	7	993 551 072 00	adhesive carpet side section	/R	1	CARRERA RS: M 002
	8YR	black					5FV	black			
(6)	964 551 308 01	lining strap hinge pillar for cars without airbag leather	/LL/R	1	CARRERA RS: M 002/ M 561/564	8	993 551 075 00	adhesive carpet rear wall black logo		1	CARRERA RS: M 002
	8YR	black					DEW	dark grey			
							BQF	guards red			
							DEX	speed yellow			
							DDZ	riviera blue			
								- - - E N D - - -			
6	964 551 157 01	lining strap hinge pillar for cars with airbag carpet	/LL/L	1							

Model	Year	MG	SG	Illustration	Restrictions	Update	10:01	25.08.2006	PORSCHE	PET	PORSCHE
993	98	8	07	807-05		203					



Pos	Part Number	Name	Remarks	Qty	Model
1	993 555 245 00	interior equipment rear back wall lining leatherette upper part/lower part		1	COUPE
	05T	black/black			
	XN8	black/cashmere beige			
	2WJ	classic grey/classic grey			
	6HP	midnight bl./midnight blue			
	7PD	chestnut brown/ chestnut brown			
	DDN	black/marble grey	-96		
	DDN	black/marble grey	97		(GB)
	DBW	midnight blue/marble grey	-96		
	DBW	midnight blue/marble grey	97		(GB)
(1)	993 555 245 16	back wall lining leatherette upper part/lower part		1	M 490
	05T	black/black			
	XN8	black/cashmere beige			
	2WJ	classic grey/classic grey			
	6HP	midnight bl./midnight blue			
	7PD	chestnut brown/ chestnut brown			
	DDN	black/marble grey	-96		
	DDN	black/marble grey	97		(GB)
	DBW	midnight blue/marble grey	-96		
	DBW	midnight blue/marble grey	97		(GB)
(1)	993 555 245 02	back wall lining leatherette upper part/lower part		1	M 425
	05T	black/black			
	XN8	black/cashmere beige			
	2WJ	classic grey/classic grey			

Model	Year	MG	SG	Illustration	Restrictions	Update	10:01	25.08.2006	PORSCHE	PET	PORSCHE
993	98	8	07	807-05		203					

Pos	Part Number	Name	Remarks	Qty	Model	Pos	Part Number	Name	Remarks	Qty	Model
	6HP	midnight bl./midnight blue				(1)	993 555 245 24	back wall lining leatherette upper part/lower part		1	M 419/490
	7PD	chestnut brown/ chestnut brown					05T	black/black			
	DDN	black/marble grey	-96				XN8	black/cashmere beige			
	DDN	black/marble grey	97		(GB)		2WJ	classic grey/classic grey			
	DBW	midnight blue/marble grey	-96				6HP	midnight bl./midnight blue			
	DBW	midnight blue/marble grey	97		(GB)		7PD	chestnut brown/ chestnut brown			
(1)	993 555 245 18	back wall lining leatherette upper part/lower part		1	M 490/425		DDN	black/marble grey	-96		
	05T	black/black					DDN	black/marble grey	97		(GB)
	XN8	black/cashmere beige					DBW	midnight blue/marble grey	-96		
	2WJ	classic grey/classic grey					DBW	midnight blue/marble grey	97		(GB)
	6HP	midnight bl./midnight blue				(1)	993 555 245 10	back wall lining leatherette upper part/lower part		1	M 419/425
	7PD	chestnut brown/ chestnut brown					05T	black/black			
	DDN	black/marble grey	-96				XN8	black/cashmere beige			
	DDN	black/marble grey	97		(GB)		2WJ	classic grey/classic grey			
	DBW	midnight blue/marble grey	-96				6HP	midnight bl./midnight blue			
	DBW	midnight blue/marble grey	97		(GB)		7PD	chestnut brown/ chestnut brown			
(1)	993 555 245 08	back wall lining leatherette upper part/lower part		1	M 419		DDN	black/marble grey	-96		
	05T	black/black					DDN	black/marble grey	97		(GB)
	XN8	black/cashmere beige					DBW	midnight blue/marble grey	-96		
	2WJ	classic grey/classic grey					DBW	midnight blue/marble grey	97		(GB)
	6HP	midnight bl./midnight blue				(1)	993 555 245 26	back wall lining leatherette upper part/lower part		1	M 419/425/ M 490
	7PD	chestnut brown/ chestnut brown					05T	black/black			
	DDN	black/marble grey	-96				XN8	black/cashmere beige			
	DDN	black/marble grey	97		(GB)		2WJ	classic grey/classic grey			
	DBW	midnight blue/marble grey	-96				6HP	midnight bl./midnight blue			
	DBW	midnight blue/marble grey	97		(GB)						

Model	Year	MG	SG	Illustration	Restrictions	Update	10:01	25.08.2006	PORSCHE	PET	PORSCHE
993	98	8	07	807-05		203					

Pos	Part Number	Name	Remarks	Qty	Model	Pos	Part Number	Name	Remarks	Qty	Model
	7PD	chestnut brown/ chestnut brown					ATQ	black/cashmere beige			
	DDN	black/marble grey	-96				H24	midnight bl./midnight blue			
	DDN	black/marble grey	97		(GB)		T15	chestnut brown/ chestnut brown			
	DBW	midnight blue/marble grey	-96				DDP	black/marble grey	-96		
	DBW	midnight blue/marble grey	97		(GB)		DDP	black/marble grey	97		(GB)
1	993 555 245 01	back wall lining whole-leather upper part/lower part		1			DBX	midnight blue/marble grey	-96		
	8YR	black/black					DBX	midnight blue/marble grey	97		(GB)
	6XL	classic grey/classic grey					DFQ	black/provence blue	-96		
	ATQ	black/cashmere beige					DFP	midnight bl./provence blue	-96		
	H24	midnight bl./midnight blue					K03	cedar green/cedar green	-96		
	T15	chestnut brown/ chestnut brown					8SE	flamenco red/flamenco red	-96		
	DDP	black/marble grey	-96				E38	rubicon grey/rubicon grey	96-97		
	DDP	black/marble grey	97		(GB)		J30	nephrite gr./nephr. green	97-		
	DBX	midnight blue/marble grey	-96				M30	boxster red/boxster red	97-		
	DBX	midnight blue/marble grey	97		(GB)	(1)	993 555 245 03	back wall lining whole-leather upper part/lower part		1	M 425
	DFQ	black/provence blue	-96				B50	space grey/space grey	98-		
	DFP	midnight bl./provence blue	-96				8YR	black/black			
	K03	cedar green/cedar green	-96				6XL	classic grey/classic grey			
	8SE	flamenco red/flamenco red	-96				ATQ	black/cashmere beige			
	E38	rubicon grey/rubicon grey	96-97				H24	midnight bl./midnight blue			
	J30	nephrite gr./nephr. green	97-				T15	chestnut brown/ chestnut brown			
	M30	boxster red/boxster red	97-				DDP	black/marble grey	-96		
	B50	space grey/space grey	98-				DDP	black/marble grey	97		(GB)
(1)	993 555 245 17	back wall lining whole-leather upper part/lower part		1	M 490		DBX	midnight blue/marble grey	-96		
	8YR	black/black					DBX	midnight blue/marble grey	97		(GB)
	6XL	classic grey/classic grey					DFQ	black/provence blue	-96		
							DFP	midnight bl./provence blue	-96		

Model	Year	MG	SG	Illustration	Restrictions	Update	10:01	25.08.2006	PORSCHE	PET	PORSCHE
993	98	8	07	807-05		203					

Pos	Part Number	Name	Remarks	Qty	Model	Pos	Part Number	Name	Remarks	Qty	Model
	K03	cedar green/cedar green	-96				ATQ	black/cashmere beige			
	8SE	flamenco red/flamenco red	-96				H24	midnight bl./midnight blue			
	E38	rubicon grey/rubicon grey	96-97				T15	chestnut brown/ chestnut brown			
	J30	nephrite gr./nephr. green	97-				DDP	black/marble grey	-96		
	M30	boxster red/boxster red	97-				DDP	black/marble grey	97		(GB)
	B50	space grey/space grey	98-				DBX	midnight blue/marble grey	-96		
(1)	993 555 245 19	back wall lining whole-leather upper part/lower part		1	M 490/425		DBX	midnight blue/marble grey	97		(GB)
	8YR	black/black					DFQ	black/provence blue	-96		
	6XL	classic grey/classic grey					DFP	midnight bl./provence blue	-96		
	ATQ	black/cashmere beige					K03	cedar green/cedar green	-96		
	H24	midnight bl./midnight blue					8SE	flamenco red/flamenco red	-96		
	T15	chestnut brown/ chestnut brown					E38	rubicon grey/rubicon grey	96-97		
	DDP	black/marble grey	-96				J30	nephrite gr./nephr. green	97-		
	DDP	black/marble grey	97		(GB)		M30	boxster red/boxster red	97-		
	DBX	midnight blue/marble grey	-96		(GB)	(1)	993 555 245 25	back wall lining whole-leather upper part/lower part		1	M 419/490
	DBX	midnight blue/marble grey	97		(GB)		8YR	black/black			
	DFQ	black/provence blue	-96				6XL	classic grey/classic grey			
	DFP	midnight bl./provence blue	-96				ATQ	black/cashmere beige			
	K03	cedar green/cedar green	-96				H24	midnight bl./midnight blue			
	8SE	flamenco red/flamenco red	-96				T15	chestnut brown/ chestnut brown			
	E38	rubicon grey/rubicon grey	96-97				DDP	black/marble grey	-96		
	J30	nephrite gr./nephr. green	97-				DDP	black/marble grey	97		(GB)
	M30	boxster red/boxster red	97-				DBX	midnight blue/marble grey	-96		
	B50	space grey/space grey	98-				DBX	midnight blue/marble grey	97		(GB)
(1)	993 555 245 09	back wall lining whole-leather upper part/lower part		1	M 419		DFQ	black/provence blue	-96		
	8YR	black/black					DFP	midnight bl./provence blue	-96		
	6XL	classic grey/classic grey									

Model	Year	MG	SG	Illustration	Restrictions	Update	10:01	25.08.2006	PORSCHE	PET	PORSCHE
993	98	8	07	807-05		203					

Pos	Part Number	Name	Remarks	Qty	Model	Pos	Part Number	Name	Remarks	Qty	Model
	K03	cedar green/cedar green	-96				6XL	classic grey/classic grey			
	8SE	flamenco red/flamenco red	-96				ATQ	black/cashmere beige			
	E38	rubicon grey/rubicon grey	96-97				H24	midnight bl./midnight blue			
	J30	nephrite gr./nephr. green	97-				T15	chestnut brown/ chestnut brown			
	M30	boxster red/boxster red	97-				DDP	black/marble grey	-96		
	B50	space grey/space grey	98-				DDP	black/marble grey	97		(GB)
(1)	993 555 245 11	back wall lining whole-leather upper part/lower part		1	M 419/425		DBX	midnight blue/marble grey	-96		
	8YR	black/black					DBX	midnight blue/marble grey	97		(GB)
	6XL	classic grey/classic grey					DFQ	black/provence blue	-96		
	ATQ	black/cashmere beige					DFP	midnight bl./provence blue	-96		
	H24	midnight bl./midnight blue					K03	cedar green/cedar green	-96		
	T15	chestnut brown/ chestnut brown					8SE	flamenco red/flamenco red	-96		
	DDP	black/marble grey	-96				E38	rubicon grey/rubicon grey	96-97		
	DDP	black/marble grey	97		(GB)		J30	nephrite gr./nephr. green	97-		
	DBX	midnight blue/marble grey	-96				M30	boxster red/boxster red	97-		
	DBX	midnight blue/marble grey	97		(GB)		B50	space grey/space grey	98-		
	DFQ	black/provence blue	-96			-	993 555 545 00	felt strip back wall lining		1	
	DFP	midnight bl./provence blue	-96			2	964 555 425 01	cover		1	
	K03	cedar green/cedar green	-96				01C	satin black			
	8SE	flamenco red/flamenco red	-96			3	964 555 525 00	cover		1	
	E38	rubicon grey/rubicon grey	96-97				01C	satin black rear window wiper			
	J30	nephrite gr./nephr. green	97-			4	911 555 627 00	trim		2	(AUS) (CDN)
	M30	boxster red/boxster red	97-				01C	satin black			
	B50	space grey/space grey	98-			(5)	964 555 511 01	cover	/L	1	
(1)	993 555 245 27	back wall lining whole-leather upper part/lower part		1	M 419/425/ M 490		01C	black seat belt			
	8YR	black/black				5	964 555 512 01	cover	/R	1	
							01C	black seat belt			

Model	Year	MG	SG	Illustration	Restrictions	Update	10:01	25.08.2006	PORSCHE	PET	PORSCHE
993	98	8	07	807-05		203					

Pos	Part Number	Name	Remarks	Qty	Model	Pos	Part Number	Name	Remarks	Qty	Model
6	900 145 072 07	tapping screw B 3,5 X 22		4			K03	cedar green	-96		
7	999 591 102 17	washer		4			8SE	flamenco red	-96		
(8)	993 555 071 00	side trim panel leatherette	/L	1			E38	rubicon grey	96-97		
	05T	black					J30	nephrite green	97-		
	2WJ	classic grey					M30	boxster red	97-		
	6HP	midnight blue					B50	space grey	98-		
	7PD	chestnut brown				8	993 555 072 02	side trim panel leather	/R	1	
	8CF	marble grey	-96				8YR	black			
	8CF	marble grey	97		(GB)		6XL	classic grey			
	7RT	cashmere beige					H24	midnight blue			
8	993 555 072 00	side trim panel leatherette	/R	1			T15	chestnut brown			
	05T	black					3QN	marble grey	-96		
	2WJ	classic grey					3QN	marble grey	97		(GB)
	6HP	midnight blue					4YU	cashmere beige			
	7PD	chestnut brown					G43	provence blue	-96		
	8CF	marble grey	-96				K03	cedar green	-96		
	8CF	marble grey	97		(GB)		8SE	flamenco red	-96		
	7RT	cashmere beige					E38	rubicon grey	96-97		
(8)	993 555 071 02	side trim panel leather	/L	1			J30	nephrite green	97-		
	8YR	black					M30	boxster red	97-		
	6XL	classic grey					B50	space grey	98-		
	H24	midnight blue				9	900 145 075 07	tapping screw B 4,2 X 16		4	
	T15	chestnut brown				(10)	911 803 615 00	rose	/L	1	
	3QN	marble grey	-96				01C	satin black			
	3QN	marble grey	97		(GB)	10	911 803 616 00	rose	/R	1	
	4YU	cashmere beige					01C	satin black			
	G43	provence blue	-96			11	999 507 028 02	speed nut 4,2		4	

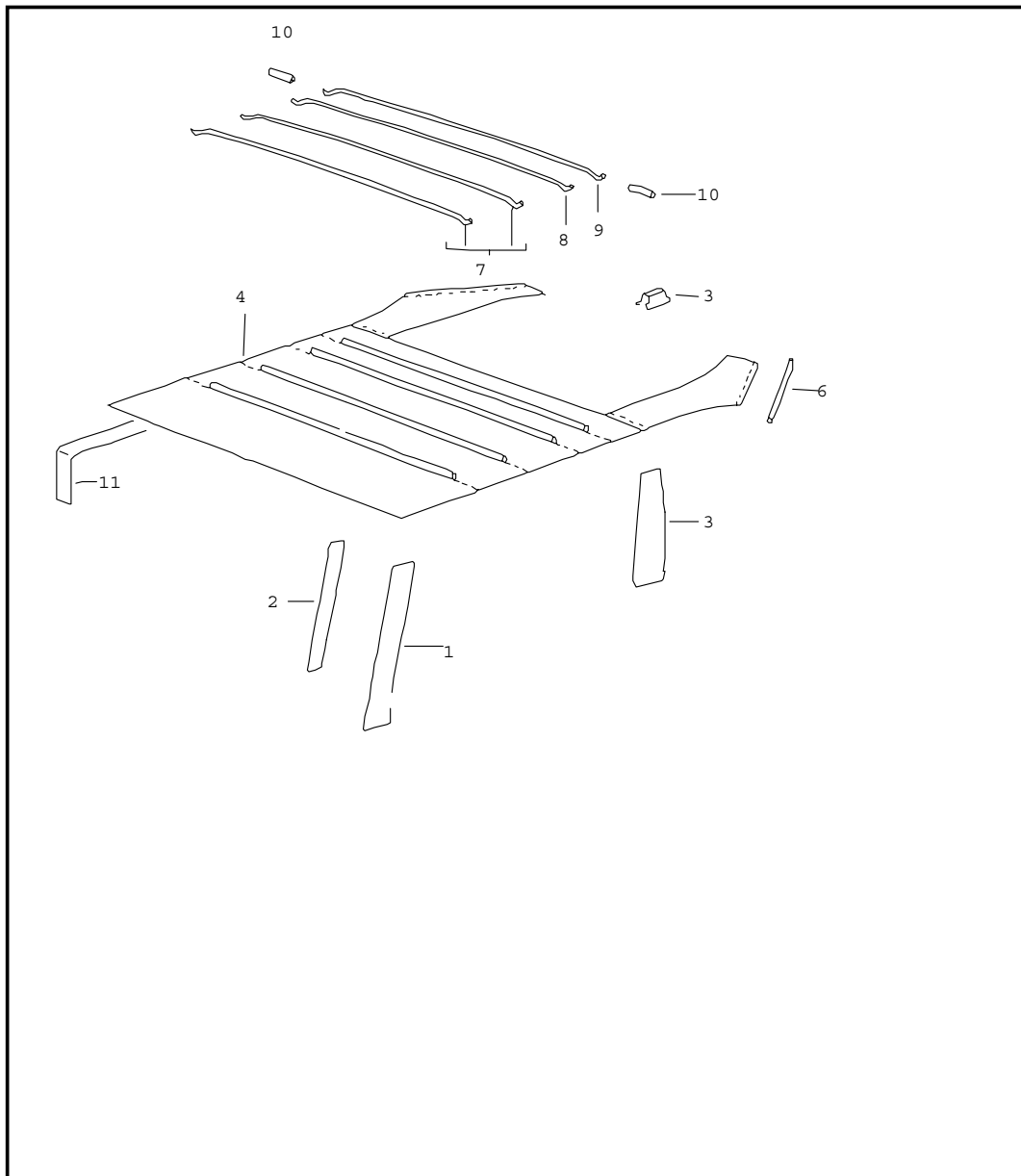
Model	Year	MG	SG	Illustration	Restrictions	Update	10:01	25.08.2006	PORSCHE	PET	PORSCHE
993	98	8	07	807-05		203					

Pos	Part Number	Name	Remarks	Qty	Model	Pos	Part Number	Name	Remarks	Qty	Model
(12)	911 555 757 00	cover lock pillar leatherette	/L	1			8SE	flamenco red	-96		
							E38	rubicon grey	96-97		
	05T	black					J30	nephrite green	97-		
	7RT	cashmere beige					M30	boxster red	97-		
	2WJ	classic grey					B50	boxster red	98-		
	6HP	midnight blue				12	911 555 758 70	cover lock pillar leather	/R	1	M 981
	7PD	chestnut brown									
	8CF	marble grey	-96				8YR	black			
	8CF	marble grey	97		(GB)		6XL	classic grey			
12	911 555 758 00	cover lock pillar leatherette	/R	1			4YU	cashmere beige			
							H24	midnight blue			
	05T	black					T15	chestnut brown			
	7RT	cashmere beige					3QN	marble grey	-96		
	2WJ	classic grey					3QN	marble grey	97		(GB)
	6HP	midnight blue					G43	provence blue	-96		
	7PD	chestnut brown					K03	cedar green	-96		
	8CF	marble grey	-96				8SE	flamenco red	-96		
	8CF	marble grey	97		(GB)		E38	rubicon grey	96-97		
(12)	911 555 757 70	cover lock pillar leather	/L	1	M 981		J30	nephrite green	97-		
							M30	boxster red	97-		
	8YR	black					B50	boxster red	98-		
	6XL	classic grey				--	911 555 641 00	desk pad	/L	1	
	4YU	cashmere beige				--	911 555 642 00	desk pad b-pillar	/R	1	
	H24	midnight blue				(13)	964 555 091 02	rear covering leatherette	/L	1	
	T15	chestnut brown									
	3QN	marble grey	-96				05T	black			
	3QN	marble grey	97		(GB)		2WJ	classic grey			
	G43	provence blue	-96				6HP	midnight blue			
	K03	cedar green	-96				7PD	chestnut brown			

Model	Year	MG	SG	Illustration	Restrictions	Update	10:01	25.08.2006	PORSCHE	PET	PORSCHE
993	98	8	07	807-05		203					

Pos	Part Number	Name	Remarks	Qty	Model	Pos	Part Number	Name	Remarks	Qty	Model
13	964 555 092 02	rear covering leatherette	/R	1		--	911 555 295 00	desk pad cover strip		2	COUPE
	05T	black				14	999 591 338 02	speed nut B 3,5		6	
	2WJ	classic grey				15	900 145 070 07	tapping screw B 3,5 X 16		8	
	6HP	midnight blue				16	999 591 116 07	cone washer 3,5		8	
	7PD	chestnut brown				17	901 552 871 40	cover		2	
(13)	964 555 091 03	rear covering leather	/L	1			01C	satin black			
	8YR	black				18	900 025 003 02	washer A 5,3		2	
	6XL	classic grey				19	N 011 005 14	hexagon nut M 5		2	
	H24	midnight blue				20	901 552 872 20	coat hook		2	
	T15	chestnut brown						- - - E N D - - -			
	K03	cedar green	-96								
	8SE	flamenco red	-96								
	E38	rubicon grey	96-97								
	J30	nephrite green	97-								
	M30	boxster red	97-								
	B50	space grey	98-								
13	964 555 092 03	rear covering leather	/R	1							
	8YR	black									
	6XL	classic grey									
	H24	midnight blue									
	T15	chestnut brown									
	K03	cedar green	-96								
	8SE	flamenco red	-96								
	E38	rubicon grey	96-97								
	J30	nephrite green	97-								
	M30	boxster red	97-								
	B50	space grey	98-								

Model	Year	MG	SG	Illustration	Restrictions	Update	10:01	25.08.2006	PORSCHE	PET	PORSCHE
993	98	8	07	807-06		203					

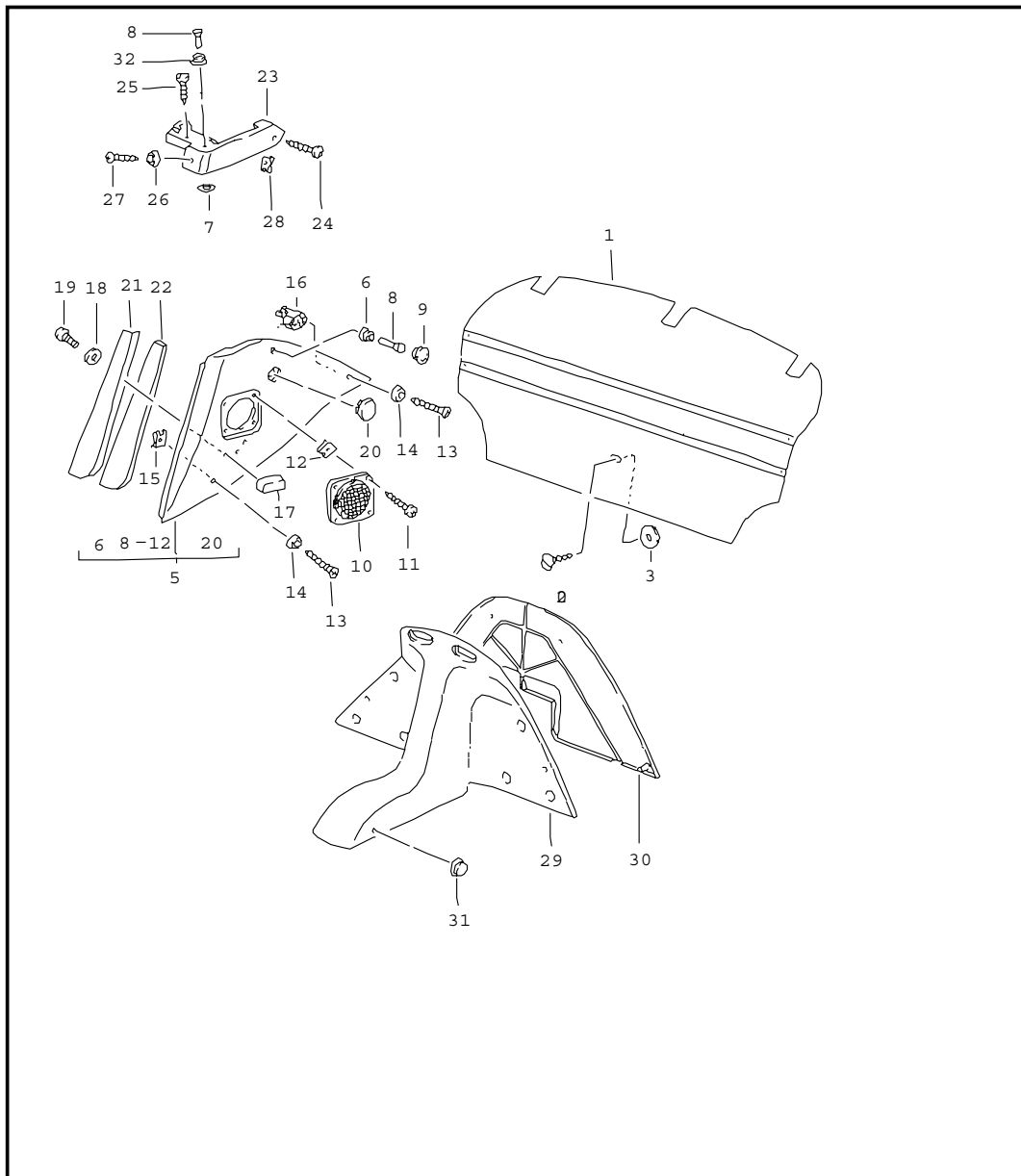


Pos	Part Number	Name	Remarks	Qty	Model
		interior equipment roof			COUPE CARRERA RS: M 002
1	964 555 507 00	lining windscreen frame part	/L	1	
	05T	black			
	2WJ	classic grey			
	6HP	midnight blue			
	7PD	chestnut brown			
	5TP	rubicon grey	96-97		
(1)	964 555 508 00	lining windscreen frame part	/R	1	
	05T	black			
	2WJ	classic grey			
	6HP	midnight blue			
	7PD	chestnut brown			
	5TP	rubicon grey	96-97		
2	964 555 563 00	desk pad 5 X 35 X 400		2	
3	911 555 505 01	lining door pillar	/L	1	
	05T	black			
	2WJ	classic grey			
	6HP	midnight blue			
	7PD	chestnut brown			
	5TP	rubicon grey	96-97		
(3)	911 555 506 01	lining door pillar	/R	1	
	05T	black			
	2WJ	classic grey			
	6HP	midnight blue			
	7PD	chestnut brown			

Model	Year	MG	SG	Illustration	Restrictions	Update	10:01	25.08.2006	PORSCHE	PET	PORSCHE
993	98	8	07	807-06		203					

Pos	Part Number	Name	Remarks	Qty	Model	Pos	Part Number	Name	Remarks	Qty	Model
	5TP	rubicon grey	96-97								
4	993 555 055 00	roof lining for cars without sunroof with POS.7-10		1							
	5VE	black									
	6WP	classic grey									
	1GE	midnight blue									
	1NE	chestnut brown									
	D03	rubicon grey	96-97								
(4)	993 555 055 01	roof lining for cars with sunroof		1	M 650						
	5VE	black									
	6WP	classic grey									
	1GE	midnight blue									
	1NE	chestnut brown									
	D03	rubicon grey	96-97								
5	999 591 336 01	clamp 1,5 - 1,75		31							
6	911 555 561 00	tension wire		2							
7	901 555 511 20	transverse strut 1 + 2		2							
8	901 555 512 20	transverse strut 3		1							
9	901 555 513 20	transverse strut 4		1							
10	644 555 515 00	rubber profile		8							
11	964 555 565 00	felt strip 1 X 24 X 725		2							
		- - - E N D - - -									

Model	Year	MG	SG	Illustration	Restrictions	Update	10:01	25.08.2006	PORSCHE	PET	PORSCHE
993	98	8	07	807-07		203					



Pos	Part Number	Name	Remarks	Qty	Model
1	993 555 245 60	interior equipment rear back wall lining carpet		1	CABRIO
	5FV	black			
	8UT	cashmere beige			
	4XR	classic grey			
	3GE	midnight blue			
	6SC	chestnut brown			
	DDQ	florentine grey	-96		
	DDQ	florentine grey	97		(GB)
	1HQ	provence blue	-96		
	2JP	cedar green	-96		
	3TE	flamenco red	-96		
	8AS	rubicon grey	96-97		
	J30	nephrite green	97-		
	M30	boxster red	97-		
2	999 590 044 40	catch	-96	1	
	01C	satin black			
2	999 507 381 40	catch 13,5	97-	1	
3	999 591 483 40	lock washer 20,3 X 1,5	94	1	
(5)	993 555 071 03	side trim panel carpet	/L	1	
	5FV	black			
	8UT	cashmere beige			
	4XR	classic grey			
	3GE	midnight blue			
	6SC	chestnut brown			
	DDQ	florentine grey	-96		
	DDQ	florentine grey	97		(GB)

Model	Year	MG	SG	Illustration	Restrictions	Update	10:01	25.08.2006	PORSCHE	PET	PORSCHE
993	98	8	07	807-07		203					

Pos	Part Number	Name	Remarks	Qty	Model	Pos	Part Number	Name	Remarks	Qty	Model
	1HQ	provence blue	-96			12	999 507 071 00	speed nut B 3,9		8	
	2JP	cedar green	-96			13	900 144 028 07	tapping screw 3,5 X 13		4	
	3TE	flamenco red	-96			14	999 591 102 17	washer		4	
	8AS	rubicon grey	96-97			(14)	999 507 393 17	snap fastener lower part 10,2 X 9		4	
	J30	nephrite green	97-			15	999 591 460 02	speed nut 3,5		2	
5	993 555 072 03	side trim panel carpet	/R	1		16	999 507 438 40	support		2	
	5FV	black				17	477 857 375 A	support for seatbelt		2	
	8UT	cashmere beige					01C	black			
	4XR	classic grey				18	900 151 027 02	washer B 5,3		4	
	3GE	midnight blue				19	900 146 003 02	oval-head screw M 5 X 10		4	
	6SC	chestnut brown				20	911 555 523 66	cap		2	
	DDQ	florentine grey	-96				70B	black for emergency control			
	DDQ	florentine grey	97		(GB)	(21)	911 555 757 40	cover lock pillar leatherette	/L	1	
	1HQ	provence blue	-96				05T	black			
	2JP	cedar green	-96				7RT	cashmere beige			
	3TE	flamenco red	-96				2WJ	classic grey			
	8AS	rubicon grey	96-97				6HP	midnight blue			
	J30	nephrite green	97-				7PD	chestnut brown			
	M30	boxster red	97-				8CF	marble grey	-96		
6	999 507 393 17	snap fastener lower part		2			8CF	marble grey	97		(GB)
7	900 025 001 02	washer A 3,2		4		21	911 555 758 40	cover lock pillar leatherette	/R	1	
8	999 190 162 37	blind rivet B 3,2 X 12,6		4			05T	black			
9	911 561 434 00	cap		2			7RT	cashmere beige			
	70B	black					2WJ	classic grey			
10	928 645 423 00	loudspeaker grille		2							
11	900 143 132 07	tapping screw B 3,9 X 16		8							

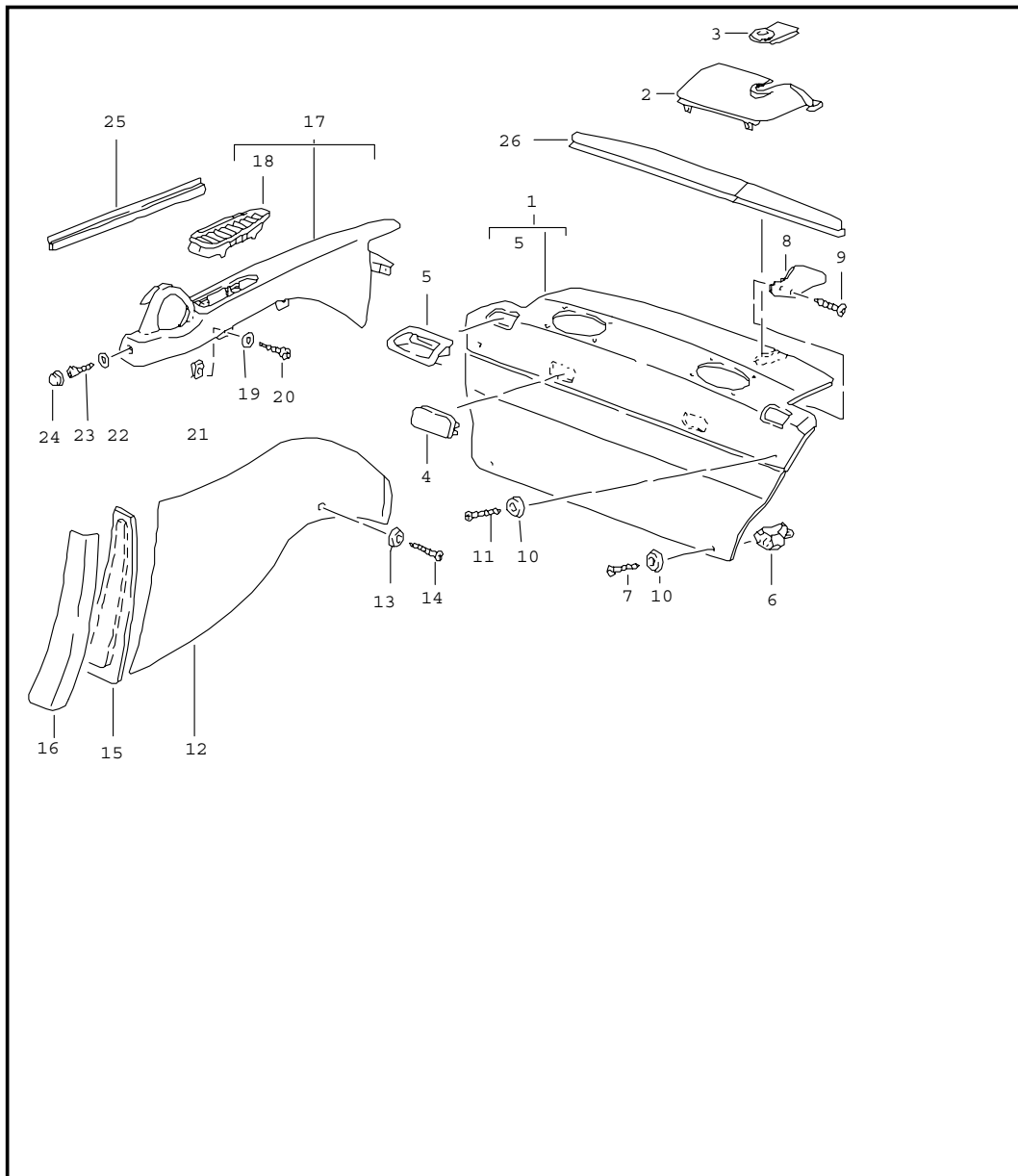
Model	Year	MG	SG	Illustration	Restrictions	Update	10:01	25.08.2006	PORSCHE	PET	PORSCHE
993	98	8	07	807-07		203					

Pos	Part Number	Name	Remarks	Qty	Model	Pos	Part Number	Name	Remarks	Qty	Model
	6HP	midnight blue					G43	provence blue	-96		
	7PD	chestnut brown					K03	cedar green	-96		
	8CF	marble grey	-96				8SE	flamenco red	-96		
	8CF	marble grey	97		(GB)		E38	rubicon grey	96-97		
(21)	911 555 757 75	cover lock pillar leather	/L	1			J30	nephrite green	97-		
	8YR	black					M30	boxster red	97-		
	6XL	classic grey					B50	space grey	98-		
	4YU	cashmere beige				(22)	901 555 023 01	filler piece	/L	1	
	H24	midnight blue				22	901 555 024 01	filler piece	/R	1	
	T15	chestnut brown				23	964 555 763 60	cover	/L	1	
	3QN	marble grey	-96				01C	black			
	3QN	marble grey	97		(GB)	(23)	964 555 764 60	cover	/R	1	
	G43	provence blue	-96				01C	black			
	K03	cedar green	-96			24	900 143 085 07	tapping screw B 4,2 X 16		2	
	8SE	flamenco red	-96			25	900 144 028 07	tapping screw B 3,5 X 13		2	
	E38	rubicon grey	96-97			26	999 591 102 17	washer 3,5		2	
	J30	nephrite green	97-			27	900 144 031 07	counters. head tapp. screw B 3,5 X 16		2	
	M30	boxster red	97-			28	999 591 460 02	speed nut B 3,5		2	
	B50	space grey	98-			29	--- --- --- --	lining see group 8/07/46 catalogue STZ.18		1	M 335
21	911 555 758 75	cover lock pillar leather	/R	1		(29)	993 803 075 01	mounting		1	M 335
	8YR	black				30	--- --- --- --	cover see group 8/07/46 catalogue STZ.18		1	M 335
	6XL	classic grey									
	4YU	cashmere beige									
	H24	midnight blue									
	T15	chestnut brown									
	3QN	marble grey	-96								
	3QN	marble grey	97		(GB)						

Model	Year	MG	SG	Illustration	Restrictions	Update	10:01	25.08.2006	PORSCHE	PET	PORSCHE
993	98	8	07	807-07		203					

Pos	Part Number	Name	Remarks	Qty	Model	Pos	Part Number	Name	Remarks	Qty	Model
31	-----	cap see group 8/07/46 catalogue STZ.18		2	M 335						
32	999 591 835 17	snap fastener lower part - - - E N D - - -		2							

Model	Year	MG	SG	Illustration	Restrictions	Update	10:02	25.08.2006	PORSCHE	PET	PORSCHE
993	98	8	07	807-08		203					



Pos	Part Number	Name	Remarks	Qty	Model
1	993 555 245 28	interior equipment rear back wall lining leatherette upper part/lower part	96-	1	TARGA
	05T	black/black			
	2WJ	classic grey/classic grey			
	6HP	midnight bl./midnight blue			
	7PD	chestnut brown/ chestnut brown			
	DDN	black/marble grey	96		
	DDN	black/marble grey	97		(GB)
	DBW	midnight blue/marble grey	96		
	DBW	midnight blue/marble grey	97		(GB)
	XN8	black/cashmere beige			
1	993 555 245 30	back wall lining leatherette upper part/lower part		1	M 425
	05T	black/black			
	2WJ	classic grey/classic grey			
	6HP	midnight bl./midnight blue			
	7PD	chestnut brown/ chestnut brown			
	DDN	black/marble grey	96		
	DDN	black/marble grey	97		(GB)
	DBW	midnight blue/marble grey	96		
	DBW	midnight blue/marble grey	97		(GB)
	XN8	black/cashmere beige			
1	993 555 245 29	back wall lining leather upper part/lower part		1	
	8YR	black/black			
	6XL	classic grey/classic grey			
	H24	midnight bl./midnight blue			

Model	Year	MG	SG	Illustration	Restrictions	Update	10:02	25.08.2006	PORSCHE	PET	PORSCHE
993	98	8	07	807-08		203					

Pos	Part Number	Name	Remarks	Qty	Model	Pos	Part Number	Name	Remarks	Qty	Model
	T15	chestnut brown/ chestnut brown					8SE	flamenco red/flamenco red	96		
	DDP	black/marble grey	96				E38	rubicon grey/rubicon grey	-97		
	DDP	black/marble grey	97		(GB)		J30	nephrite gr./nephr. green	97-		
	DBX	midnight blue/marble grey	96				M30	boxster red/boxster red	97-		
	DBX	midnight blue/marble grey	97		(GB)		B50	space grey/space grey	98-		
	ATQ	black/cashmere beige				2	---	cover see group 9/04/06		1	M 425
	DFQ	black/provence blue	96			3	---	bush see group 9/04/06		1	M 425
	DFP	midnight bl./provence blue	96			4	911 555 627 00	trim		2	(CDN) (AUS)
	K03	cedar green/cedar green	96				01C	satin black			
	8SE	flamenco red/flamenco red	96			(5)	964 555 511 01	cover	/L	1	
	E38	rubicon grey/rubicon grey	-97				01C	satin black seat belt			
	J30	nephrite gr./nephr. green	97-			5	964 555 512 01	cover	/R	1	
	M30	boxster red/boxster red	97-				01C	satin black seat belt			
	B50	space grey/space grey	98-			6	999 507 438 40	support		4	
(1)	993 555 245 31	back wall lining leather upper part/lower part		1	M 425	7	900 145 072 07	tapping screw B 3,5 X 22		4	
	8YR	black/black				8	993 555 405 00	cover lateral	/H	2	
	6XL	classic grey/classic grey				9	999 073 062 02	tapping screw B 4,8 X 19		4	
	H24	midnight bl./midnight blue				10	999 591 102 17	washer A 3,5		4	
	T15	chestnut brown/ chestnut brown				11	900 145 070 07	tapping screw 3,5 X 16		2	
	DDP	black/marble grey	96		(GB)	(12)	993 555 071 05	side trim panel carpet	/L	1	
	DDP	black/marble grey	97		(GB)		5FV	black			
	DBX	midnight blue/marble grey	96				4XR	classic grey			
	DBX	midnight blue/marble grey	97		(GB)		3GE	midnight blue			
	ATQ	black/cashmere beige									
	DFQ	black/provence blue	96								
	DFP	midnight bl./provence blue	96								
	K03	cedar green/cedar green	96								

Model	Year	MG	SG	Illustration	Restrictions	Update	10:02	25.08.2006	PORSCHE	PET	PORSCHE
993	98	8	07	807-08		203					

Pos	Part Number	Name	Remarks	Qty	Model	Pos	Part Number	Name	Remarks	Qty	Model
	6SC	chestnut brown				(16)	911 555 757 40	cover lock pillar leatherette	/L	1	
	DDQ	florentine grey	96								
	DDQ	florentine grey	97		(GB)		05T	black			
	8UT	cashmere beige					2WJ	classic grey			
	1HQ	provence blue	96				6HP	midnight blue			
	2JP	cedar green	96				7PD	chestnut brown			
	3TE	flamenco red	96				8CF	marble grey	96		
	8AS	rubicon grey	-97				8CF	marble grey	97		(GB)
	J30	nephrite green	97-				7RT	cashmere beige			
	M30	boxster red	97-			16	911 555 758 40	cover lock pillar leatherette	/R	1	
12	993 555 072 05	side trim panel carpet	/R	1							
	5FV	black					05T	black			
	4XR	classic grey					2WJ	classic grey			
	3GE	midnight blue					6HP	midnight blue			
	6SC	chestnut brown					7PD	chestnut brown			
	DDQ	florentine grey	96				8CF	marble grey	96		
	DDQ	florentine grey	97		(GB)		8CF	marble grey	97		(GB)
	8UT	cashmere beige					7RT	cashmere beige			
	1HQ	provence blue	96			(16)	911 555 757 75	cover lock pillar leather	/L	1	
	2JP	cedar green	96				8YR	black			
	3TE	flamenco red	96				6XL	classic grey			
	8AS	rubicon grey	-97				H24	midnight blue			
	J30	nephrite green	97-				T15	chestnut brown			
	M30	boxster red	97-				3QN	marble grey	96		
13	999 591 102 17	washer A 3,5		2			3QN	marble grey	97		(GB)
14	900 145 070 07	tapping screw B 3,5 X 16		2			4YU	cashmere beige			
(15)	901 555 023 01	filler piece	/L	1			G43	provence blue	96		
15	901 555 024 01	filler piece	/R	1			K03	cedar green	96		

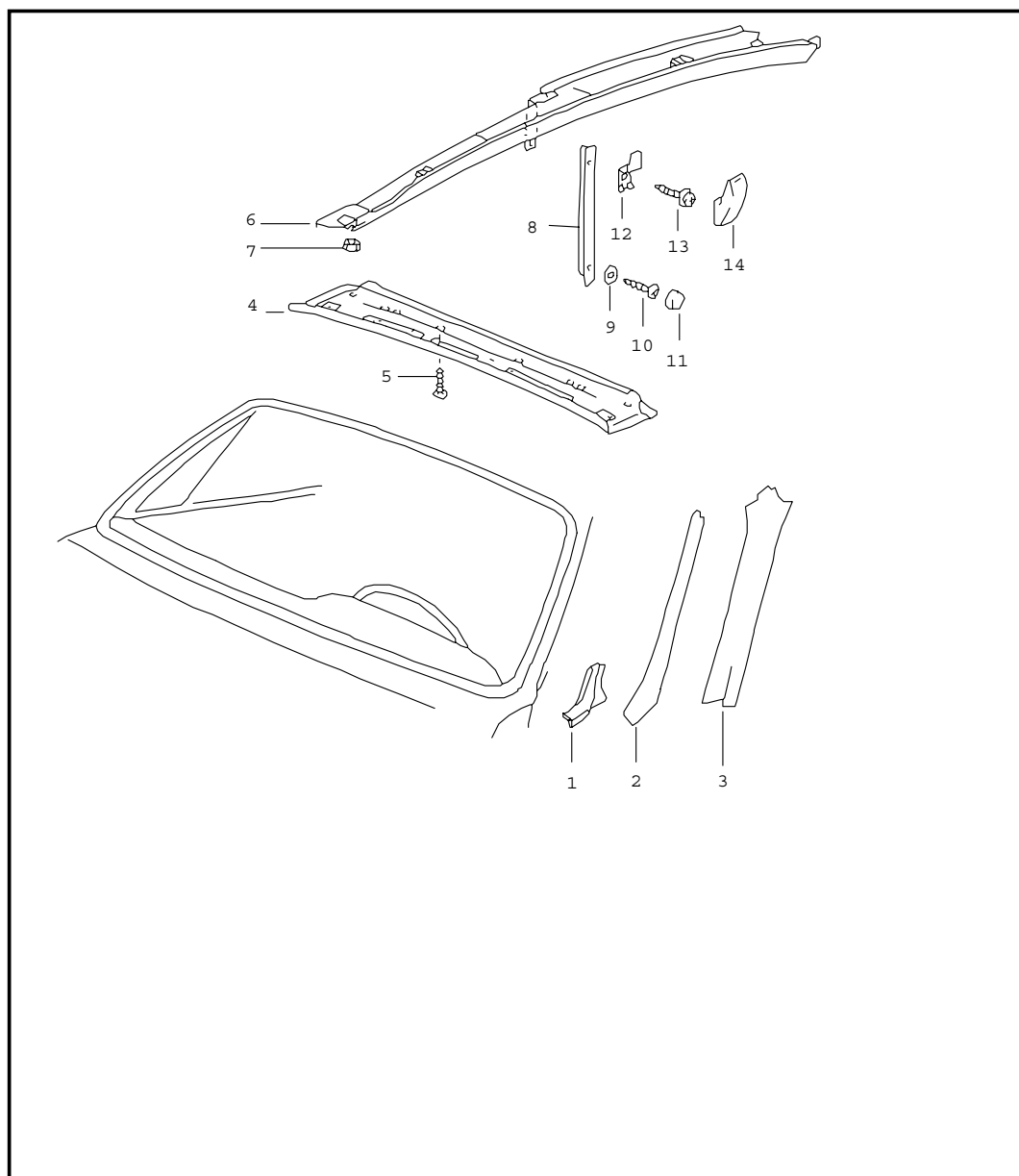
Model	Year	MG	SG	Illustration	Restrictions	Update	10:02	25.08.2006	PORSCHE	PET	PORSCHE
993	98	8	07	807-08		203					

Pos	Part Number	Name	Remarks	Qty	Model	Pos	Part Number	Name	Remarks	Qty	Model
	8SE	flamenco red	96				2WJ	classic grey			
	E38	rubicon grey	-97				6HP	midnight blue			
	J30	nephrite green	97-				7PD	chestnut brown			
	M30	boxster red	97-			(17)	993 555 091 01	rear covering leather	/L	1	
	B50	space grey	98-				8YR	black			
16	911 555 758 75	cover lock pillar leather	/R	1			6XL	classic grey			
	8YR	black					H24	midnight blue			
	6XL	classic grey					T15	chestnut brown			
	H24	midnight blue					K03	cedar green	96		
	T15	chestnut brown					8SE	flamenco red	96		
	3QN	marble grey	96				E38	rubicon grey	-97		
	3QN	marble grey	97		(GB)		J30	nephrite green	97-		
	4YU	cashmere beige					M30	boxster red	97-		
	G43	provence blue	96				B50	space grey	98-		
	K03	cedar green	96			17	993 555 092 01	rear covering leather	/R	1	
	8SE	flamenco red	96				8YR	black			
	E38	rubicon grey	-97				6XL	classic grey			
	J30	nephrite green	97-				H24	midnight blue			
	M30	boxster red	97-				T15	chestnut brown			
	B50	space grey	98-				K03	cedar green	96		
(17)	993 555 091 00	rear covering leatherette	/L	1			8SE	flamenco red	96		
	05T	black					E38	rubicon grey	-97		
	2WJ	classic grey					J30	nephrite green	97-		
	6HP	midnight blue					M30	boxster red	97-		
	7PD	chestnut brown					B50	space grey	98-		
17	993 555 092 00	rear covering leatherette	/R	1		18	993 555 771 00	nozzle		2	
	05T	black					01C	satin black			
						19	N 011 663 4	washer 3,7		4	

Model	Year	MG	SG	Illustration	Restrictions	Update	10:02	25.08.2006	PORSCHE	PET	PORSCHE
993	98	8	07	807-08		203					

Pos	Part Number	Name	Remarks	Qty	Model	Pos	Part Number	Name	Remarks	Qty	Model
20	900 143 049 07	tapping screw B 3,5 X 9,5		4							
21	N 100 665 01	speed nut 3,5		4							
22	900 151 048 09	washer 4,3		2							
23	311 867 167	tapping screw B 4,2 X 13		2							
24	311 867 169	cap		2							
	01C	satin black									
	4XC	classic grey									
	2GS	midnight blue									
	4PV	chestnut brown									
25	993 555 415 00	cover lower rear glass		2							
26	993 555 303 00	cover		1							
(26)	993 555 303 01	cover back wall lining		1	M 425						
		- - - E N D - - -									

Model	Year	MG	SG	Illustration	Restrictions	Update	10:02	25.08.2006	PORSCHE	PET	PORSCHE
993	98	8	07	807-09		203					

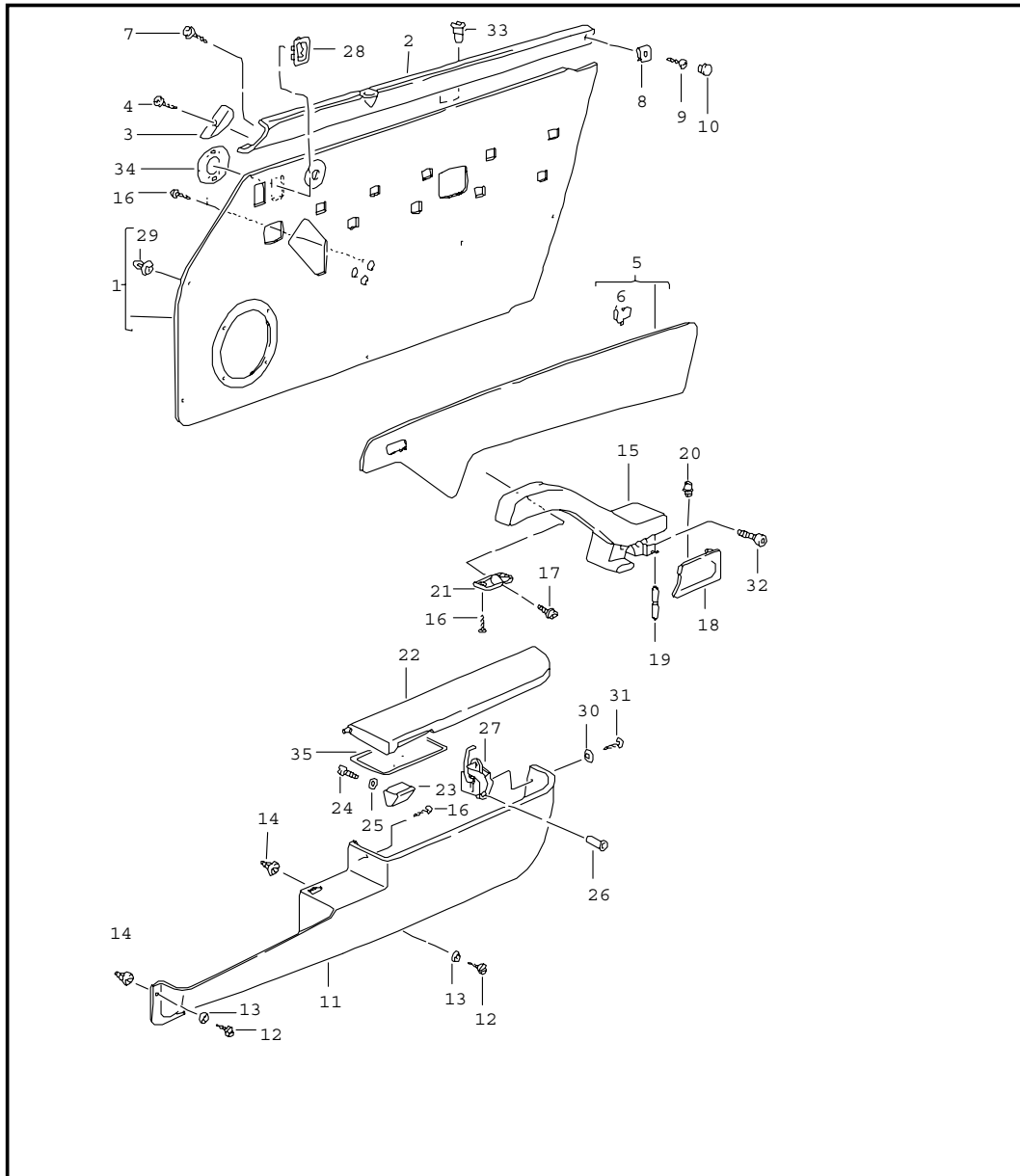


Pos	Part Number	Name	Remarks	Qty	Model
		interior equipment roof	96-		TARGA
1	993 555 419 00	filler piece	/L	1	
(1)	993 555 420 00	filler piece	/R	1	
2	964 555 563 00	desk pad		2	
3	993 555 507 00	lining windscreen frame part	/L	1	
	05T	black			
(3)	993 555 508 00	lining windscreen frame part	/R	1	
	05T	black			
4	993 555 059 01	lining leatherette		1	
	05T	black			
5	900 145 075 07	tapping screw 4,2 X 16		4	
(6)	993 562 311 00	lining roof leatherette	/L	1	
	05T	black			
6	993 562 312 00	lining roof leatherette	/R	1	
	05T	black			
-	993 562 733 00	slide		4	
-	993 562 737 00	screw		2	
7	999 084 450 02	hexagon nut M 4		2	
(8)	993 562 313 00	lining lock post lining leatherette	/L	1	
	05T	black			
8	993 562 314 00	lining lock post lining leatherette	/R	1	
	05T	black			

Model	Year	MG	SG	Illustration	Restrictions	Update	10:02	25.08.2006	PORSCHE	PET	PORSCHE
993	98	8	07	807-09		203					

Pos	Part Number	Name	Remarks	Qty	Model	Pos	Part Number	Name	Remarks	Qty	Model
9	900 151 048 09	washer 4,3		2							
10	311 867 167	tapping screw B 4,2 X 13		2							
11	311 867 169	cap		2							
	01C	satin black									
12	901 552 872 20	hook		2							
13	900 143 151 02	screw		2							
14	901 552 871 40	cover		2							
	01C	satin black									
		- - - E N D - - -									

Model	Year	MG	SG	Illustration	Restrictions	Update	10:02	25.08.2006	PORSCHE	PET	PORSCHE
993	98	8	07	807-10		203					



Pos	Part Number	Name	Remarks	Qty	Model
		interior equipment doors	-96 -96		CARRERA /4 TURBO/TARGA
(1)	993 555 031 01	door trim panel leatherette	/L	1	
		05T black			
		7RT cashmere beige			
		2WJ classic grey			
		6HP midnight blue			
		7PD chestnut brown			
		8CF marble grey			
1	993 555 032 00	door trim panel leatherette	/R	1	
		05T black			
		7RT cashmere beige			
		2WJ classic grey			
		6HP midnight blue			
		7PD chestnut brown			
		8CF marble grey			
(1)	993 555 031 03	door trim panel leather	/L	1	
		8YR black			
		6XL classic grey			
		4YU cashmere beige			
		H24 midnight blue			
		T15 chestnut brown			
		3QN marble grey			
		G43 provence blue			
		K03 cedar green			
		8SE flamenco red			
		E38 rubicon grey	96		
(1)	993 555 032 02	door trim panel leather	/R	1	

Model	Year	MG	SG	Illustration	Restrictions	Update	10:02	25.08.2006	PORSCHE	PET	PORSCHE
993	98	8	07	807-10		203					

Pos	Part Number	Name	Remarks	Qty	Model	Pos	Part Number	Name	Remarks	Qty	Model
	8YR	black					E38	rubicon grey	96		
	6XL	classic grey				2	993 555 084 02	cover strip leather	/R	1	
	4YU	cashmere beige					8YR	black			
	H24	midnight blue					6XL	classic grey			
	T15	chestnut brown					H24	midnight blue			
	3QN	marble grey					T15	chestnut brown			
	G43	provence blue					K03	cedar green			
	K03	cedar green					8SE	flamenco red			
	8SE	flamenco red					E38	rubicon grey	96		
	E38	rubicon grey	96			(3)	911 555 421 00	cap	/L	1	
-	993 555 715 00	plastic foam strip		2			01C	black			
(2)	993 555 083 01	cover strip leatherette	/L	1		3	911 555 422 00	cap	/R	1	
	05T	black					01C	black			
	9WH	classic grey				4	N 014 093 3	tapping screw B 4,2 X 13		2	
	3HP	midnight blue				(5)	993 555 093 00	trim leatherette	/L	1	
	6PN	chestnut brown					05T	black			
2	993 555 084 00	cover strip leatherette	/R	1			2WJ	classic grey			
	05T	black					6HP	midnight blue			
	9WH	classic grey					7PD	chestnut brown			
	3HP	midnight blue					8CF	marble grey			
	6PN	chestnut brown					7RT	cashmere beige			
(2)	993 555 083 03	cover strip leather	/L	1		5	993 555 094 00	trim leatherette	/R	1	
	8YR	black					05T	black			
	6XL	classic grey					2WJ	classic grey			
	H24	midnight blue					6HP	midnight blue			
	T15	chestnut brown					7PD	chestnut brown			
	K03	cedar green					8CF	marble grey			
	8SE	flamenco red									

Model	Year	MG	SG	Illustration	Restrictions	Update	10:02	25.08.2006	PORSCHE	PET	PORSCHE
993	98	8	07	807-10		203					

Pos	Part Number	Name	Remarks	Qty	Model	Pos	Part Number	Name	Remarks	Qty	Model
	7RT	cashmere beige				10	999 703 077 40	cap		2	
(5)	993 555 093 01	trim leather	/L	1		(11)	993 555 147 02	package box carpet/ strap leatherette	/L	1	M 490
	8YR	black					5FV	black/black			
	6XL	classic grey					8UT	cashmere beige/cash. beige			
	4YU	cashmere beige					4XR	classic grey/classic grey			
	H24	midnight blue					3GE	midnight bl./midnight blue			
	T15	chestnut brown					6SC	chestnut brown/ chestnut brown			
	3QN	marble grey									
	G43	provence blue				11	993 555 148 02	package box carpet/ strap leatherette	/R	1	M 490
	K03	cedar green					5FV	black/black			
	8SE	flamenco red					8UT	cashmere beige/cash. beige			
	E38	rubicon grey	96				4XR	classic grey/classic grey			
5	993 555 094 01	trim leather	/R	1			3GE	midnight bl./midnight blue			
	8YR	black					6SC	chestnut brown/ chestnut brown			
	6XL	classic grey				(11)	993 555 037 01	package box carpet/ strap leather	/L	1	
	4YU	cashmere beige					5FV	black/black			
	H24	midnight blue					8UT	cashmere beige/cash. beige			
	T15	chestnut brown					4XR	classic grey/classic grey			
	3QN	marble grey					3GE	midnight bl./midnight blue			
	G43	provence blue					6SC	chestnut brown/ chestnut brown			
	K03	cedar green					DDQ	florentine gr./marble grey			
	8SE	flamenco red					1HQ	provence blue/provence bl.			
	E38	rubicon grey	96				2JP	cedar green/cedar green			
6	999 507 432 02	clamp		20			3TE	flamenco red/flamenco red			
7	900 143 177 02	combination tapping screw B 4,2 X 13		4							
8	N 100 665 01	speed nut B 3,5		2							
9	N 013 958 7	tapping screw B 3,5 X 13		2							

Model	Year	MG	SG	Illustration	Restrictions	Update	10:02	25.08.2006	PORSCHE	PET	PORSCHE
993	98	8	07	807-10		203					

Pos	Part Number	Name	Remarks	Qty	Model	Pos	Part Number	Name	Remarks	Qty	Model
	8AS	rubicon grey/rubicon grey	96				5FV	black/black			
11	993 555 038 01	package box carpet/ strap leather	/R	1			8UT	cashmere beige/cash. beige			
	5FV	black/black					4XR	classic grey/classic grey			
	8UT	cashmere beige/cash. beige					3GE	midnight bl./midnight blue			
	4XR	classic grey/classic grey					6SC	chestnut brown/ chestnut brown			
	3GE	midnight bl./midnight blue					DDQ	florentine gr./marble grey			
	6SC	chestnut brown/ chestnut brown					1HQ	provence blue/provence bl.			
	DDQ	florentine gr./marble grey					2JP	cedar green/cedar green			
	1HQ	provence blue/provence bl.					3TE	flamenco red/flamenco red			
	2JP	cedar green/cedar green					8AS	rubicon grey/rubicon grey	96		
	3TE	flamenco red/flamenco red				12	900 145 026 07	tapping screw B 4,2 X 22		8	
	8AS	rubicon grey/rubicon grey	96			13	999 591 103 17	protection washer		8	
(11)	993 555 147 01	package box carpet/ strap leather	/L	1	M 490	14	999 591 717 40	expander nut		10	
	5FV	black/black				14	999 591 717 40	expander nut B 4,2		18	M 490
	8UT	cashmere beige/cash. beige				(15)	993 555 097 00	handle leatherette	/L	1	
	4XR	classic grey/classic grey					041	black			
	3GE	midnight bl./midnight blue					2UU	cashmere beige			
	6SC	chestnut brown/ chestnut brown					8WR	classic grey			
	DDQ	florentine gr./marble grey					8GE	midnight blue			
	1HQ	provence blue/provence bl.					2PT	chestnut brown			
	2JP	cedar green/cedar green					1AQ	marble grey			
	3TE	flamenco red/flamenco red				15	993 555 098 00	handle leatherette	/R	1	
	8AS	rubicon grey/rubicon grey	96				041	black			
(11)	993 555 148 01	package box carpet/ strap leather	/R	1	M 490		2UU	cashmere beige			
							8WR	classic grey			
							8GE	midnight blue			
							2PT	chestnut brown			

Model	Year	MG	SG	Illustration	Restrictions	Update	10:02	25.08.2006	PORSCHE	PET	PORSCHE
993	98	8	07	807-10		203					

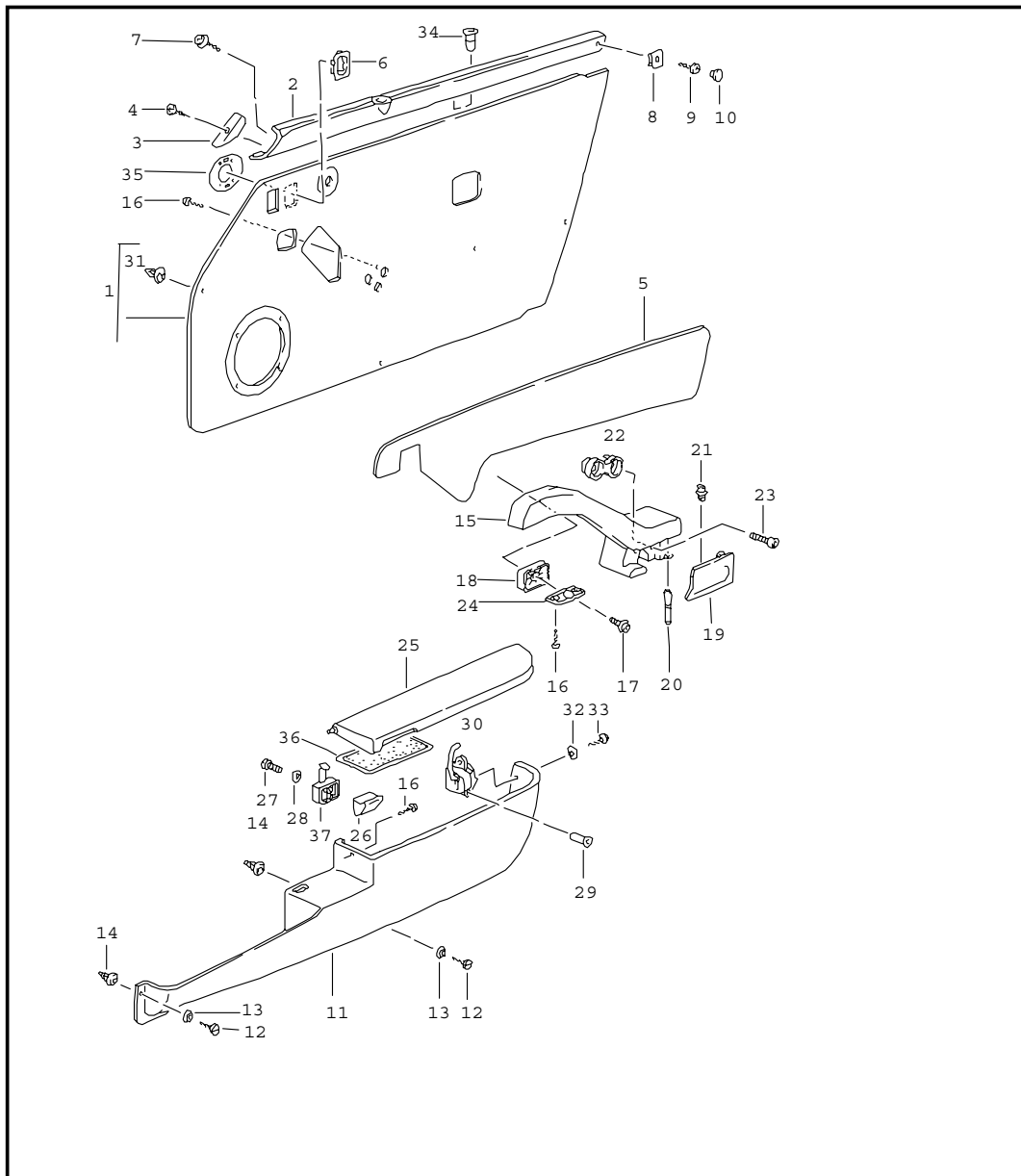
Pos	Part Number	Name	Remarks	Qty	Model	Pos	Part Number	Name	Remarks	Qty	Model
	1AQ	marble grey				18	993 555 852 00	door opener	/R	1	
(15)	993 555 097 01	handle leather	/L	1			01C	satin black			
	8YR	black				19	993 555 583 00	bolt		2	
	6XL	classic grey				20 A	993 531 563 00	linkage clip	94	2	
	4YU	cashmere beige				20	993 531 563 00	linkage clip		2	
	H24	midnight blue				21	993 555 697 00	trim		2	
	T15	chestnut brown					01C	satin black			
	3QN	marble grey				(22)	911 555 039 03	cover lacquered	/L	1	
	G43	provence blue					041	black			
	K03	cedar green					2UU	cashmere beige			
	8SE	flamenco red					2YJ	classic grey			
	E38	rubicon grey	96				7GP	midnight blue			
15	993 555 098 01	handle leather	/R	1			1PS	chestnut brown			
	8YR	black					9BZ	marble grey			
	6XL	classic grey				22	911 555 040 03	cover lacquered	/R	1	
	4YU	cashmere beige					041	black			
	H24	midnight blue					2UU	cashmere beige			
	T15	chestnut brown					2YJ	classic grey			
	3QN	marble grey					7GP	midnight blue			
	G43	provence blue					1PS	chestnut brown			
	K03	cedar green					9BZ	marble grey			
	8SE	flamenco red				(22)	993 555 039 00	cover leather	/L	1	
	E38	rubicon grey	96				8YR	black			
16	999 919 084 07	oval-head screw 4,0 X 16		8			6XL	classic grey			
17	900 067 240 02	screw M 6 X 12		2			4YU	cashmere beige			
(18)	993 555 851 00	door opener	/L	1			H24	midnight blue			
	01C	satin black					T15	chestnut brown			
							3QN	marble grey			

Model	Year	MG	SG	Illustration	Restrictions	Update	10:02	25.08.2006	PORSCHE	PET	PORSCHE
993	98	8	07	807-10		203					

Pos	Part Number	Name	Remarks	Qty	Model	Pos	Part Number	Name	Remarks	Qty	Model
	G43	provence blue				32	900 067 238 02	screw M 6 X 30		4	
	K03	cedar green				33	999 507 448 40	expander nut 5,5 X 15		2	
	8SE	flamenco red				34	993 555 653 00	plate		2	
	E38	rubicon grey	96			--	999 190 215 30	blind rivet 4,0 X 6,9		4	
22	993 555 040 00	cover leather	/R	1		35	A 964 552 121 00	insert		1	
	8YR	black					01C	satin black			
	6XL	classic grey				35	993 552 091 00	insert		1	
	4YU	cashmere beige									
	H24	midnight blue									
	T15	chestnut brown									
	3QN	marble grey									
	G43	provence blue									
	K03	cedar green									
	8SE	flamenco red									
	E38	rubicon grey	96								
23	914 555 059 10	support		2							
24	900 146 120 02	oval-head screw M 4 X 10		2							
25	900 151 028 02	washer B 4,3		2							
26	900 206 018 02	tubular rivet 6 X 0,4 X 12	94	4							
26	900 206 018 02	tubular rivet 6 X 0,4 X 20	96-	4							
27	911 555 045 03	bearing	/L	1							
(27)	911 555 046 03	bearing	/R	1							
28	911 613 635 20	wiper frame		3							
29	823 867 299	clip		3							
30	999 704 605 07	cone washer 5,3		2							
31	900 145 079 07	oval-head sheetmetal screw 4,8 X 19		2							

- - - E N D - - -

Model	Year	MG	SG	Illustration	Restrictions	Update	10:02	25.08.2006	PORSCHE	PET	PORSCHE
993	98	8	07	807-11		203					



Pos	Part Number	Name	Remarks	Qty	Model
		interior equipment doors	97-		CARRERA /4 TURBO/TARGA CARRERA S
(1)	993 555 031 16	door trim panel leatherette	/L	1	
	05T	black			
	7RT	cashmere beige			
	2WJ	classic grey			
	6HP	midnight blue			
	7PD	chestnut brown			
	8CF	marble grey	98-		(GB)
1	993 555 032 15	door trim panel leatherette	/R	1	
	05T	black			
	7RT	cashmere beige			
	2WJ	classic grey			
	6HP	midnight blue			
	7PD	chestnut brown			
	8CF	marble grey	98-		(GB)
(1)	993 555 031 18	door trim panel leather	/L	1	
	8YR	black			
	6XL	classic grey			
	H24	midnight blue			
	T15	chestnut brown			
	3QN	marble grey	97		(GB)
	E38	rubicon grey	97		
	J30	nephrite green			
	M30	boxster red			
	B50	space grey	98-		
(1)	993 555 032 17	door trim panel leather	/R	1	

Model	Year	MG	SG	Illustration	Restrictions	Update	10:02	25.08.2006	PORSCHE	PET	PORSCHE
993	98	8	07	807-11		203					

Pos	Part Number	Name	Remarks	Qty	Model	Pos	Part Number	Name	Remarks	Qty	Model
	8YR	black					H24	midnight blue			
	6XL	classic grey					T15	chestnut brown			
	H24	midnight blue					E38	rubicon grey	97		
	T15	chestnut brown					J30	nephrite green			
	3QN	marble grey	97		(GB)		M30	boxster red			
	E38	rubicon grey	97				B50	space grey	98-		
	J30	nephrite green				2	993 555 084 02	cover strip leather	/R	1	
	M30	boxster red					8YR	black			
	B50	space grey	98-				6XL	classic grey			
(1)	993 555 031 20	door trim panel leather	/L	1	CARRERA S		H24	midnight blue			
	A04	black					T15	chestnut brown			
(1)	993 555 032 19	door trim panel leather	/R	1	CARRERA S		E38	rubicon grey	97		
	A04	black					J30	nephrite green			
-	993 555 715 00	plastic foam strip		2			M30	boxster red			
(2)	993 555 083 01	cover strip leatherette	/L	1			B50	space grey	98-		
	05T	black				(3)	911 555 421 00	cap	/L	1	
	9WH	classic grey					01C	black			
	3HP	midnight blue				3	911 555 422 00	cap	/R	1	
	6PN	chestnut brown					01C	black			
2	993 555 084 00	cover strip leatherette	/R	1		4	N 014 093 3	tapping screw B 4,2 X 13		2	
	05T	black				(5)	993 555 093 02	trim leatherette	/L	1	
	9WH	classic grey					05T	black			
	3HP	midnight blue					2WJ	classic grey			
	6PN	chestnut brown					6HP	midnight blue			
(2)	993 555 083 03	cover strip leather	/L	1			7PD	chestnut brown			
	8YR	black					8CF	marble grey	97		(GB)
	6XL	classic grey					7RT	cashmere beige			

Model	Year	MG	SG	Illustration	Restrictions	Update	10:02	25.08.2006	PORSCHE	PET	PORSCHE
993	98	8	07	807-11		203					

Pos	Part Number	Name	Remarks	Qty	Model	Pos	Part Number	Name	Remarks	Qty	Model
5	993 555 094 02	trim leatherette	/R	1			B50	space grey	98-		
	05T	black				6	911 613 635 20	wiper frame		3	
	2WJ	classic grey				7	900 143 177 02	combination tapping screw B 4,2 X 13		4	
	6HP	midnight blue				8	N 100 665 01	speed nut B 3,5		2	
	7PD	chestnut brown				9	N 013 958 7	tapping screw B 3,5 X 13		2	
	8CF	marble grey	97		(GB)	10	999 703 077 40	cap		2	
	7RT	cashmere beige									
(5)	993 555 093 03	trim leather	/L	1		(11)	993 555 147 02	package box carpet/ strap leatherette	/L	1	M 490
	8YR	black					5FV	black/black			
	6XL	classic grey					8UT	cashmere beige/cash. beige			
	4YU	cashmere beige					4XR	classic grey/classic grey			
	H24	midnight blue					3GE	midnight bl./midnight blue			
	T15	chestnut brown					6SC	chestnut brown/ chestnut brown			
	3QN	marble grey	97		(GB)	11	993 555 148 02	package box carpet/ strap leatherette	/R	1	M 490
	E38	rubicon grey	97				5FV	black/black			
	J30	nephrite green					8UT	cashmere beige/cash. beige			
	M30	boxster red					4XR	classic grey/classic grey			
	B50	space grey	98-				3GE	midnight bl./midnight blue			
5	993 555 094 03	trim leather	/R	1			6SC	chestnut brown/ chestnut brown			
	8YR	black				(11)	993 555 037 01	package box carpet/ strap leather	/L	1	
	6XL	classic grey					5FV	black/black			
	4YU	cashmere beige					8UT	cashmere beige/cash. beige			
	H24	midnight blue					4XR	classic grey/classic grey			
	T15	chestnut brown									
	3QN	marble grey	97		(GB)						
	E38	rubicon grey	97								
	J30	nephrite green									
	M30	boxster red									

Model	Year	MG	SG	Illustration	Restrictions	Update	10:02	25.08.2006	PORSCHE	PET	PORSCHE
993	98	8	07	807-11		203					

Pos	Part Number	Name	Remarks	Qty	Model	Pos	Part Number	Name	Remarks	Qty	Model
	3GE	midnight bl./midnight blue					8AS	rubicon grey/rubicon grey	97		
	6SC	chestnut brown/ chestnut brown					J30	nephrite gr./nephr. green			
	DDQ	florentine gr./marble grey	97		(GB)		M30	boxster red/boxster red			
	8AS	rubicon grey/rubicon grey	97				B50	space grey/space grey	98-		
	J30	nephrite gr./nephr. green				(11)	993 555 148 03	package box carpet/ strap leather	/R	1	M 490
	M30	boxster red/boxster red					5FV	black/black			
	B50	space grey/space grey	98-				8UT	cashmere beige/cash. beige			
11	993 555 038 01	package box carpet/ strap leather	/R	1			4XR	classic grey/classic grey			
	5FV	black/black					3GE	midnight bl./midnight blue			
	8UT	cashmere beige/cash. beige					6SC	chestnut brown/ chestnut brown			
	4XR	classic grey/classic grey					DDQ	florentine gr./marble grey	97		(GB)
	3GE	midnight bl./midnight blue					8AS	rubicon grey/rubicon grey	97		
	6SC	chestnut brown/ chestnut brown					J30	nephrite gr./nephr. green			
	DDQ	florentine gr./marble grey	97		(GB)		M30	boxster red/boxster red			
	8AS	rubicon grey/rubicon grey	97				B50	space grey/space grey	98-		
	J30	nephrite gr./nephr. green				12	900 145 026 07	tapping screw B 4,2 X 22		8	
	M30	boxster red/boxster red				13	999 591 103 17	protection washer		8	
	B50	space grey/space grey	98-			14	999 591 717 40	expander nut		10	
(11)	993 555 147 03	package box carpet/ strap leather	/L	1	M 490	14	999 591 717 40	expander nut B 4,2		18	M 490
	5FV	black/black				(15)	993 555 097 00	handle leatherette	/L	1	
	8UT	cashmere beige/cash. beige					041	black			
	4XR	classic grey/classic grey					2UU	cashmere beige			
	3GE	midnight bl./midnight blue					8WR	classic grey			
	6SC	chestnut brown/ chestnut brown					8GE	midnight blue			
	DDQ	florentine gr./marble grey	97		(GB)		2PT	chestnut brown			
							1AQ	marble grey	97		(GB)

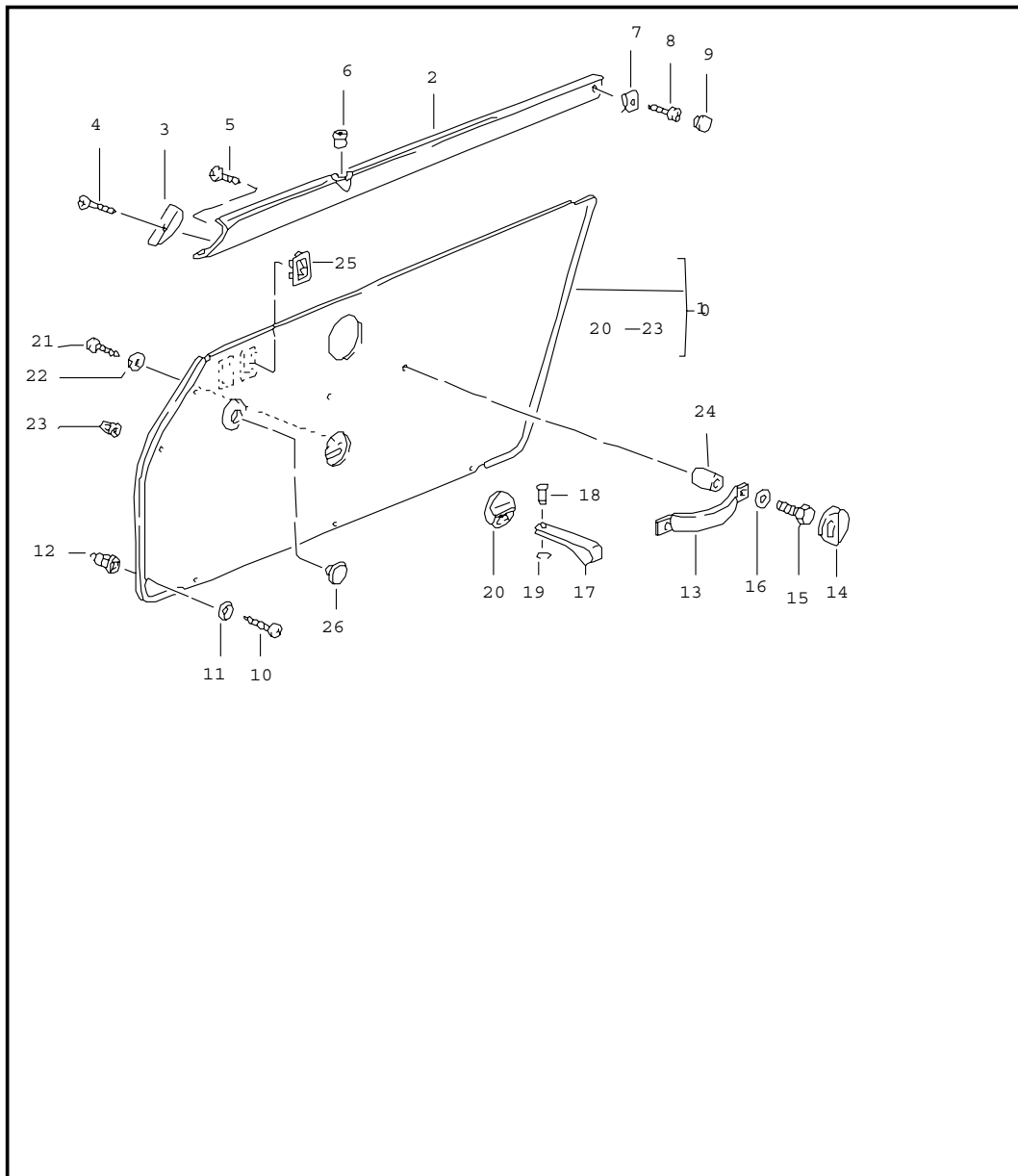
Model	Year	MG	SG	Illustration	Restrictions	Update	10:02	25.08.2006	PORSCHE	PET	PORSCHE
993	98	8	07	807-11		203					

Pos	Part Number	Name	Remarks	Qty	Model	Pos	Part Number	Name	Remarks	Qty	Model
15	993 555 098 00	handle leatherette	/R	1			B50	space grey	98-		
	041	black				17	900 067 269 02	screw M 6 X 16		2	
	2UU	cashmere beige				18	993 555 707 00	spacer		2	
	8WR	classic grey				(19)	993 555 851 00	door opener	/L	1	
	8GE	midnight blue					01C	satin black			
	2PT	chestnut brown				19	993 555 852 00	door opener	/R	1	
	1AQ	marble grey	97		(GB)		01C	satin black			
(15)	993 555 097 01	handle leather	/L	1		20	993 555 583 00	bolt		2	
	8YR	black				21	993 531 563 00	linkage clip		2	
	6XL	classic grey				22	993 555 807 00	spacer		2	
	4YU	cashmere beige				23	900 067 316 02	screw M 6 X 35		4	
	H24	midnight blue				24	993 555 697 00	trim		2	
	T15	chestnut brown					01C	satin black			
	3QN	marble grey	97		(GB)	(25)	911 555 039 03	cover lacquered	/L	1	
	E38	rubicon grey	97				041	black			
	J30	nephrite green					2UU	cashmere beige			
	M30	boxster red					2YJ	classic grey			
	B50	space grey	98-				7GP	midnight blue			
15	993 555 098 01	handle leather	/R	1			1PS	chestnut brown			
	8YR	black					9BZ	marble grey	97		(GB)
	6XL	classic grey				25	911 555 040 03	cover lacquered	/R	1	
	4YU	cashmere beige					041	black			
	H24	midnight blue					2UU	cashmere beige			
	T15	chestnut brown					2YJ	classic grey			
	3QN	marble grey	97		(GB)		7GP	midnight blue			
	E38	rubicon grey	97				1PS	chestnut brown			
	J30	nephrite green					9BZ	marble grey	97		(GB)
	M30	boxster red									

Model	Year	MG	SG	Illustration	Restrictions	Update	10:02	25.08.2006	PORSCHE	PET	PORSCHE
993	98	8	07	807-11		203					

Pos	Part Number	Name	Remarks	Qty	Model	Pos	Part Number	Name	Remarks	Qty	Model
(25)	993 555 039 00	cover leather	/L	1		29	900 206 018 02	tubular rivet 6 X 0,4 X 12		4	
	8YR	black				(30)	911 555 045 03	bearing	/L	1	
	6XL	classic grey				30	911 555 046 03	bearing	/R	1	
	4YU	cashmere beige				31	823 867 299	clip		3	
	H24	midnight blue				32	999 704 605 07	cone washer 5,3		2	
	T15	chestnut brown				33	900 145 079 07	oval-head sheetmetal screw 4,8 X 19		2	
	3QN	marble grey	97		(GB)	34	999 507 448 40	expander nut 5,5 X 15		2	
	E38	rubicon grey	97			35	993 555 653 00	plate		2	
	J30	nephrite green				--	999 190 215 30	blind rivet 4,0 X 6,9		4	
	M30	boxster red									
	B50	space grey	98-								
(25)	993 555 040 00	cover leather	/R	1		36 A	964 552 121 00	insert		1	
	8YR	black					01C	satin black			
	6XL	classic grey				36	993 552 091 00	insert		1	
	4YU	cashmere beige				37	993 555 859 00	spacer		2	
	H24	midnight blue									
	T15	chestnut brown									
	3QN	marble grey	97		(GB)						
	E38	rubicon grey	97								
	J30	nephrite green									
	M30	boxster red									
	B50	space grey	98-								
26	914 555 059 10	support		2							
27	900 146 150 02	oval-head screw M 4 X 16		2							
28	900 151 028 02	washer B 4,3		2							
29	900 206 018 02	tubular rivet 6 X 0,4 X 12	94	4							
									- - - E N D - - -		

Model	Year	MG	SG	Illustration	Restrictions	Update	10:02	25.08.2006	PORSCHE	PET	PORSCHE
993	98	8	07	807-12		203					



Pos	Part Number	Name	Remarks	Qty	Model
		interior equipment doors			CARRERA RS
(1)	993 555 031 70	door trim panel leatherette	/L	1	
	05T	black			
1	993 555 032 70	door trim panel leatherette	/R	1	
	05T	black			
(1)	993 555 031 13	door trim panel leatherette	/L	1	M 002/651
	05T	black			
(1)	993 555 032 13	door trim panel leatherette	/R	1	M 002/651
	05T	black			
(1)	993 555 031 12	door trim panel leatherette	/L	1	M 002/451
	05T	black			
(1)	993 555 032 12	door trim panel leatherette	/R	1	M 002/451
	05T	black			
(1)	993 555 031 14	door trim panel leatherette	/L	1	M 002/451/ M 651
	05T	black			
(1)	993 555 032 14	door trim panel leatherette	/R	1	M 002/451/ M 651
	05T	black			
(2)	993 555 083 01	cover strip leatherette	/L	1	M 002
	05T	black			
2	993 555 084 00	cover strip leatherette	/R	1	M 002
	05T	black			
(2)	993 555 083 70	cover strip leatherette	/L	1	M 003

Model	Year	MG	SG	Illustration	Restrictions	Update	10:02	25.08.2006	PORSCHE	PET	PORSCHE
993	98	8	07	807-12		203					

Pos	Part Number	Name	Remarks	Qty	Model	Pos	Part Number	Name	Remarks	Qty	Model
	05T	black				16	999 025 128 02	washer 6,5 X 14 X 1		2	M 003
(2)	993 555 084 70	cover strip leatherette	/R	1	M 003	17	964 555 832 00	door opener		2	
	05T	black					70A	black			
(3)	911 555 421 00	cap	/L	1			H04	riviera blue			
	01C	black					N13	guards red			
3	911 555 422 00	cap	/R	1			V02	speed yellow			
	01C	black				18	N 100 438 01	bolt		2	
4	N 014 093 3	tapping screw B 4,2 X 13		2		19	999 166 040 02	kl-lock 5		2	
5	900 143 177 02	combination tapping screw B 4,2 X 13		4		20	964 555 761 00	rose		2	
6	928 555 569 02	guide bush		2			01C	black			
7	N 100 665 01	speed nut B 3,5		2		21	999 919 049 02	oval-head screw 3,0 X 10		4	
8	N 013 958 7	tapping screw B 3,5 X 13		2		22	900 151 028 02	washer B 4,3		4	
9	999 703 077 40	cap		2		23	823 867 299	clip		8	
10	900 145 096 07	tapping screw B 4,2 X 16		10		24	999 531 014 02	bush 6,1 X 10,2		4	
11	999 591 103 17	protection washer		10		25	911 613 635 20	wiper frame		X	
12	999 591 717 40	expander nut B 4,2		10		26	999 703 404 40	cap		2	
13	993 555 249 00	handle		2			1DB	black			
	4PU	platinum						- - - E N D - - -			
	01C	satin black									
14	964 555 761 02	rose		4							
	01C	black									
15	900 075 017 02	hexagon-head bolt		4	M 002						
15	900 075 017 02	hexagon-head bolt M 6 X 25		2	M 003						
(15)	900 067 367 09	screw M 6 X 30		2	M 003						
16	999 025 128 02	washer		4	M 002						

Model	Year	MG	SG	Illustration	Restrictions	Update	10:03	25.08.2006	PORSCHE	PET	PORSCHE
993	98	8	07	807-15		203					

				Pos	Part Number	Name	Remarks	Qty	Model				
				1	964 556 205 00	body sound proofing 1 sound absorber F >>99SS3 16185 F >>99SS3 32340	/LL/L	1	COUPE CABRIO				
				(1)	964 556 205 02	sound absorber F >>99SS3 16185 F >>99SS3 32340	/RL/L	1	COUPE CABRIO				
				(1)	964 556 206 02	sound absorber F >>99SS3 16185 F >>99SS3 32340	/LL/R	1	COUPE CABRIO				
				(1)	964 556 206 01	sound absorber F >>99SS3 16185 F >>99SS3 32340	/RL/R	1	COUPE CABRIO				
								1A	964 556 207 01	side section sound absorber F >>99SS3 16185 F >>99SS3 32340	/LL/L	1	COUPE CABRIO
				(1A)	964 556 208 01	sound absorber F >>99SS3 16185 F >>99SS3 32340	/RL/R	1	COUPE CABRIO				
				(1A)	993 556 205 00	sound absorber F 99SS3 16186>> F 99SS3 32341>>	/L	1	COUPE CABRIO				
				(1A)	993 556 206 00	sound absorber side section F 99SS3 16186>> F 99SS3 32341>>	/R	1	COUPE CABRIO				
				2	A 964 556 261 00	sound absorber	/LL/L-95	1					
				(2)	964 556 262 00	sound absorber firewall upper	/RL/R-95	1					
				3	A 964 556 263 00	sound absorber	/LL/L-95	1					
				(3)	964 556 264 01	sound absorber firewall lower	/RL/R-95	1					
				4	993 556 217 00	sound absorber	/LL/L	1					
				(4)	964 556 217 02	sound absorber	/RL/L	1					
				(4)	964 556 218 02	sound absorber	/LL/R	1					
				(4)	964 556 218 03	sound absorber floor	/RL/R /V	1					

Model	Year	MG	SG	Illustration	Restrictions	Update	10:03	25.08.2006	PORSCHE	PET	PORSCHE
993	98	8	07	807-15		203					

Pos	Part Number	Name	Remarks	Qty	Model	Pos	Part Number	Name	Remarks	Qty	Model
5	993 556 215 00	sound absorber	/L	1		-	993 556 245 00	sound absorber rear window lower	96-	1	TARGA
(5)	993 556 216 00	sound absorber floor	/R /H	1							
7	993 556 233 01	sound absorber		1				- - - E N D - - -			
(7)	993 556 233 02	sound absorber seat well		1	CABRIO:M 335						
8	993 556 275 00	sound absorber	/L	1	COUPE						
(8)	993 556 276 00	sound absorber side section	/R /H	1	COUPE						
9 A	964 556 872 02	sound absorber	/LL/V94	1							
9	993 556 872 02	sound absorber	/LL/V-95	1							
(9)	993 556 872 02	sound absorber	/LL/V96-	1							
(9)	964 556 872 03	sound absorber	/RL/V94	1							
(9)	993 556 872 03	sound absorber	/RL/V95	1							
(9)	993 556 872 03	sound absorber tunnel	/RL/V96-	1							
10	993 556 873 00	sound absorber tunnel rear		1							
11	911 556 902 00	damping mat		X							
(12)	993 556 239 02	sound absorber		1	COUPE						
(12)	993 556 239 03	sound absorber upper part for rear panel		1	CABRIO						
13	993 556 281 00	sound absorber engine compartment		1							
14	999 049 011 40	push button T 5		10							
15	911 556 023 01	damping mat inner lining		1							
16	911 556 248 00	damping strip		3							
-	993 556 521 00	insulation	-96	2							
-	993 556 521 00	insulation door	97-	2							

PORSCHE

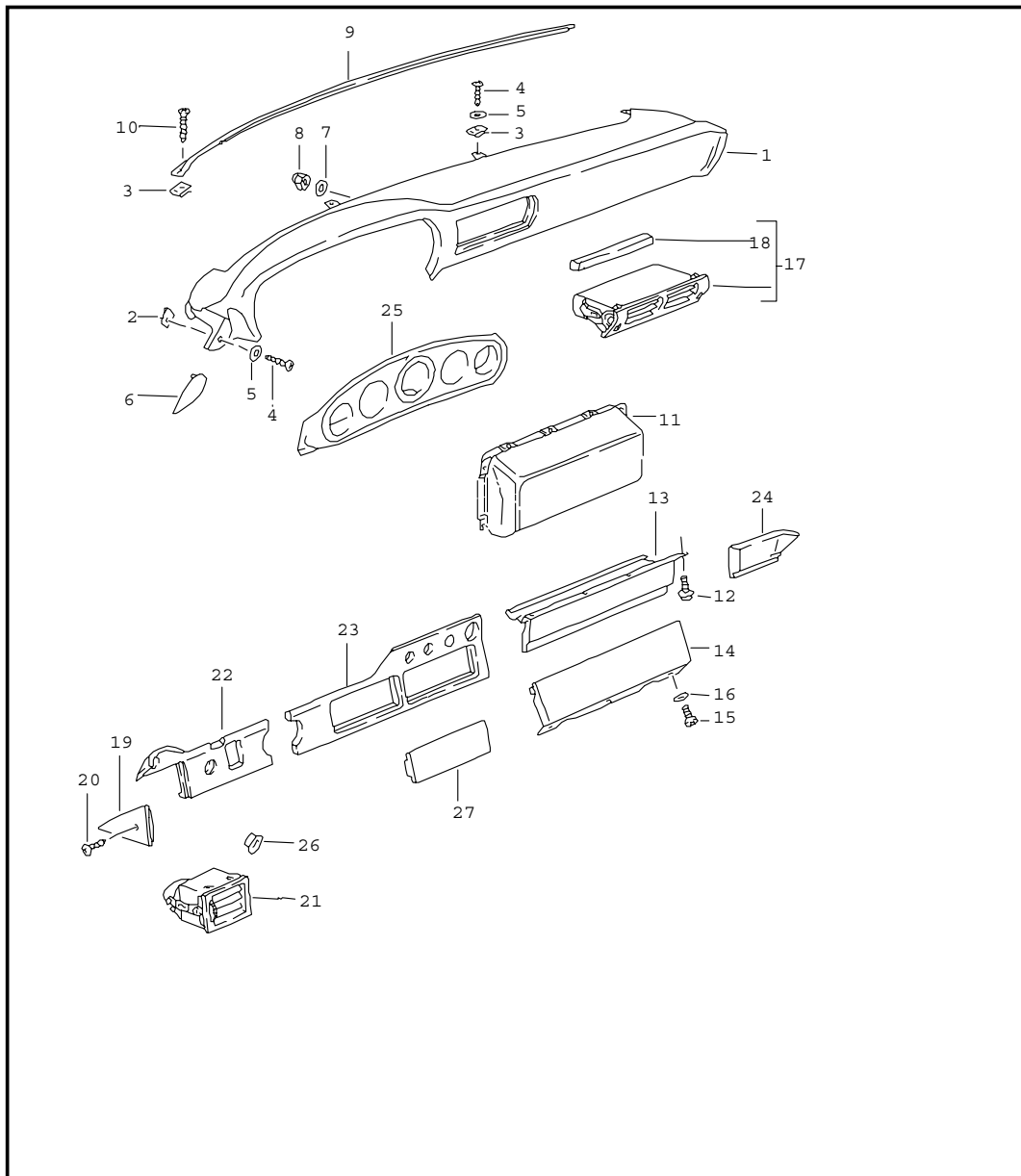
PET

PORSCHE

Model	Year	MG	SG	Illustration	Restrictions	Update		
993	98	8	08	808-00		203	10:03	25.08.2006

Pos	Part Number	Name	Remarks	Qty	Model
		seat complete see group 8/07/00 - 8/07/80 catalogue STZ.18 - - - E N D - - -			

Model	Year	MG	SG	Illustration	Restrictions	Update	10:03	25.08.2006	PORSCHE	PET	PORSCHE
993	98	8	09	809-00		203					



Pos	Part Number	Name	Remarks	Qty	Model
1	993 552 055 00	dashboard for cars with airbag passenger's side		1	
		05T black	/LL		
		9WH classic grey			
		3HP midnight blue			
		6PN chestnut brown			
(1)	993 552 056 00	dashboard trim leatherette	/RL	1	
		05T black			
		9WH classic grey			
		3HP midnight blue			
		6PN chestnut brown			
1	993 552 055 01	dashboard trim leather	/LL	1	
		8YR black			
		A10 black			
		A11 black			
		6XL classic grey			
		H24 midnight blue			
		T15 chestnut brown			
		K03 cedar green	-96		
		8SE flamenco red	-96		
		E38 rubicon grey	96-97		
		J30 nephrite green	97-		
		M30 boxerster red	97-		
		B50 space grey	98-		
(1)	993 552 056 01	dashboard trim leather	/RL	1	
		8YR black			

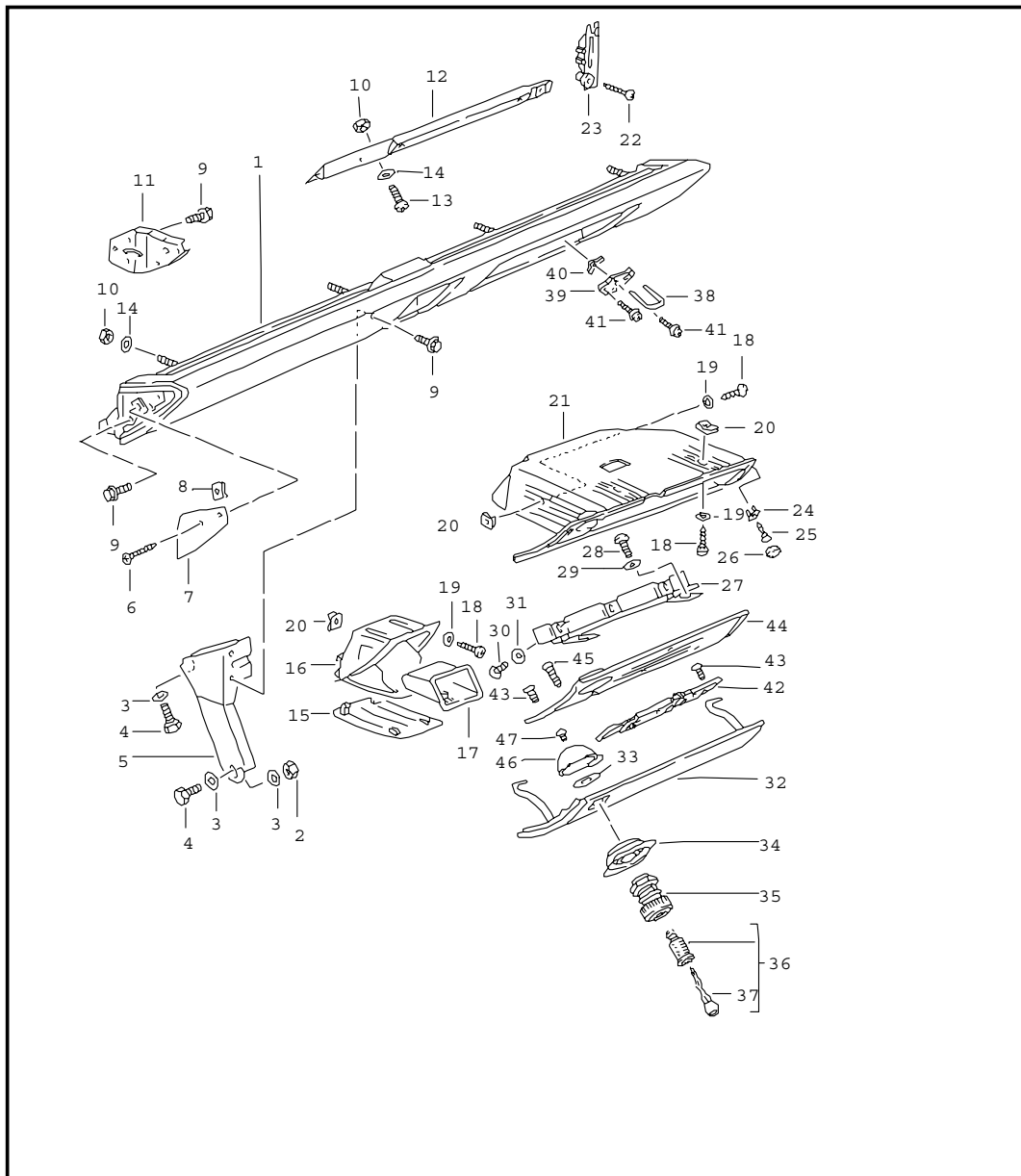
Model	Year	MG	SG	Illustration	Restrictions	Update	10:03	25.08.2006	PORSCHE	PET	PORSCHE
993	98	8	09	809-00		203					

Pos	Part Number	Name	Remarks	Qty	Model	Pos	Part Number	Name	Remarks	Qty	Model
	A10	black					1QB	chestnut brown			
	A11	black				10	900 145 084 07	tapping screw B 4,2 X 19		5	
	6XL	classic grey				11	-	airbag unit passenger's side see group 4/03/06		1	
	H24	midnight blue				12	999 218 062 07	screw micro-self-locking M 5 X 10		4	
	T15	chestnut brown				13	993 552 088 00	cover upper part		1	
	K03	cedar green	-96				05T	black			
	8SE	flamenco red	-96			13	993 552 078 00	cover upper part leather	97-	1	CARRERA S
	E38	rubicon grey	96-97				A04	black			
	J30	nephrite green	97-			14	993 552 090 00	cover lower part		1	
	M30	boxster red	97-				05T	black			
	B50	space grey	98-			14	993 552 080 00	cover lower part leather	97-	1	CARRERA S
2	999 591 331 02	speed nut B 4,2		2			A04	black			
3	999 591 713 02	speed nut B 4,2		7		15	900 146 003 02	oval-head screw M 5 X 10		5	
4	W 900 143 121 07	tapping screw		4		16	900 151 027 02	washer B 5,3		5	
(4)	900 143 177 02	screw B 4,2 X 16		4		17	964 572 051 00	centre nozzle	/LL	1	
5	W 900 025 002 02	washer A 4,3		4			01C	satin black			
6	964 552 231 01	cover	/L	1		(17)	964 572 052 00	centre nozzle	/RL	1	
	01C	satin black					01C	satin black			
(6)	964 552 232 01	cover	/R	1		18	964 572 787 00	plastic foam strip 365 X 15 X 10		1	
	01C	satin black				19	911 552 591 00	cover	/L	1	
7	900 151 006 09	washer B 6,4		1			01C	satin black			
8	900 377 010 09	hexagon nut M 6		1		(19)	911 552 592 00	cover	/R	1	
9	964 552 411 00	defroster trim		1							
	5XJ	black									
	5XL	classic grey									
	3GP	midnight blue									

Model	Year	MG	SG	Illustration	Restrictions	Update	10:03	25.08.2006	PORSCHE	PET	PORSCHE
993	98	8	09	809-00		203					

Pos	Part Number	Name	Remarks	Qty	Model	Pos	Part Number	Name	Remarks	Qty	Model
	01C	satin black					05T	black			
20	900 145 003 07	tapping screw BZ 3,5 X 9,5		2		(24)	964 552 593 00	cover	/RL/L	1	
21	964 572 261 00	side vent	/LL/L	1			05T	black			
(21)	964 572 261 01	side vent	/RL/L	1		24	993 552 494 00	cover leather	/LL/R97-	1	CARRERA S
(21)	964 572 262 00	side vent	/RL/R	1		(24)	993 552 493 00	cover leather	/RL/L97-	1	CARRERA S
(21)	964 572 262 01	side vent	/RL/R	1			A04	black			
22	964 552 477 00	cover	/LL/L	1		25	911 552 549 00	cover	/LL	1	
(22)	964 552 478 00	cover	/RL/R	1			700	black covering for instruments			
22	993 552 387 00	cover leather	/LL/L97-	1	CARRERA S	(25)	911 552 550 00	cover	/RL	1	
(22)	993 552 388 00	cover leather	/RL/R97-	1	CARRERA S		700	black covering for instruments			
23	964 552 479 00	cover	/LL	1		26	911 552 217 00	rose		1	
(23)	964 552 480 00	cover	/RL	1			70B	black			
23	993 552 373 00	cover leather	/LL 97-	1	CARRERA S	27	911 552 463 02	trim		1	
(23)	993 552 374 00	cover leather	/RL 97-	1	CARRERA S		70B	black			
24	964 552 594 00	cover	/LL/R	1					- - - E N D - - -		

Model	Year	MG	SG	Illustration	Restrictions	Update	10:03	25.08.2006	PORSCHE	PET	PORSCHE
993	98	8	09	809-01		203					



Pos	Part Number	Name	Remarks	Qty	Model
		knee protection strip for cars with airbag passenger's side			
(1) A	964 552 053 00	knee protection strip complete	/LL	1	
(1) A	993 552 054 00	knee protection strip complete	/RL	1	
1	964 552 073 06	knee protection strip metal leatherette	/LL /LL	1	
	05T	black			
	9WH	classic grey			
	3HP	midnight blue			
	6PN	chestnut brown			
(1)	993 552 074 00	knee protection strip leatherette	/RL	1	
	05T	black			
	9WH	classic grey			
	3HP	midnight blue			
	6PN	chestnut brown			
(1) A	964 552 053 01	knee protection strip complete	/LL -96	1	
(1)	993 552 054 01	knee protection strip complete	/RL -96	1	
1	964 552 073 07	knee protection strip metal leather	/LL /LL	1	
	8YR	black			
	6XL	classic grey			
	H24	midnight blue			
	T15	chestnut brown			
	K03	cedar green	-96		
	8SE	flamenco red	-96		
	E38	rubicon grey	96-97		

Model	Year	MG	SG	Illustration	Restrictions	Update	10:03	25.08.2006	PORSCHE	PET	PORSCHE
993	98	8	09	809-01		203					

Pos	Part Number	Name	Remarks	Qty	Model	Pos	Part Number	Name	Remarks	Qty	Model
	J30	nephrite green	97-			10	N 011 005 14	hexagon nut M 5		4	
	M30	boxster red	97-			11	993 552 377 00	support	/L	1	
	B50	space grey	98-			(11)	993 552 378 00	support hinge pillar	/R	1	
(1)	993 552 074 01	knee protection strip leather	/RL	1		12	993 552 195 00	reinforcement	/LL	1	
	8YR	black				(12)	993 552 196 00	reinforcement upper	/RL	1	
	6XL	classic grey				13	900 146 003 02	oval-head screw M 5 X 10		6	
	H24	midnight blue				14	900 151 027 02	washer B 5,3		5	
	T15	chestnut brown				15	964 552 571 00	cover leatherette		1	
	K03	cedar green	-96				05T	black			
	8SE	flamenco red	-96				9WH	classic grey			
	E38	rubicon grey	96-97				3HP	midnight blue			
	J30	nephrite green	97-				6PN	chestnut brown			
	M30	boxster red	97-			15	964 552 571 01	cover leather		1	
	B50	space grey	98-				8YR	black			
2	900 076 025 02	hexagon nut M 8		1			6XL	classic grey			
3	900 151 008 02	washer A 8,4 X 25 X 2		3			H24	midnight blue			
4	900 075 087 02	hexagon-head bolt M 8 X 16		2			T15	chestnut brown			
5	964 552 069 01	support tunnel		1			K03	cedar green	-96		
6	999 919 114 07	tapping screw B 3,5 X 16		4			8SE	flamenco red	-96		
7	964 552 465 00	cover	/L	1			E38	rubicon grey	96-97		
	01C	black					J30	nephrite green	97-		
(7)	964 552 466 00	cover	/R	1			M30	boxster red	97-		
	01C	black					B50	space grey	98-		
8	999 591 725 02	speed nut B 3,5		2		16	964 552 923 00	housing		1	
9	900 075 374 02	screw M 6 X 14		12		17	964 552 925 00	insert		1	

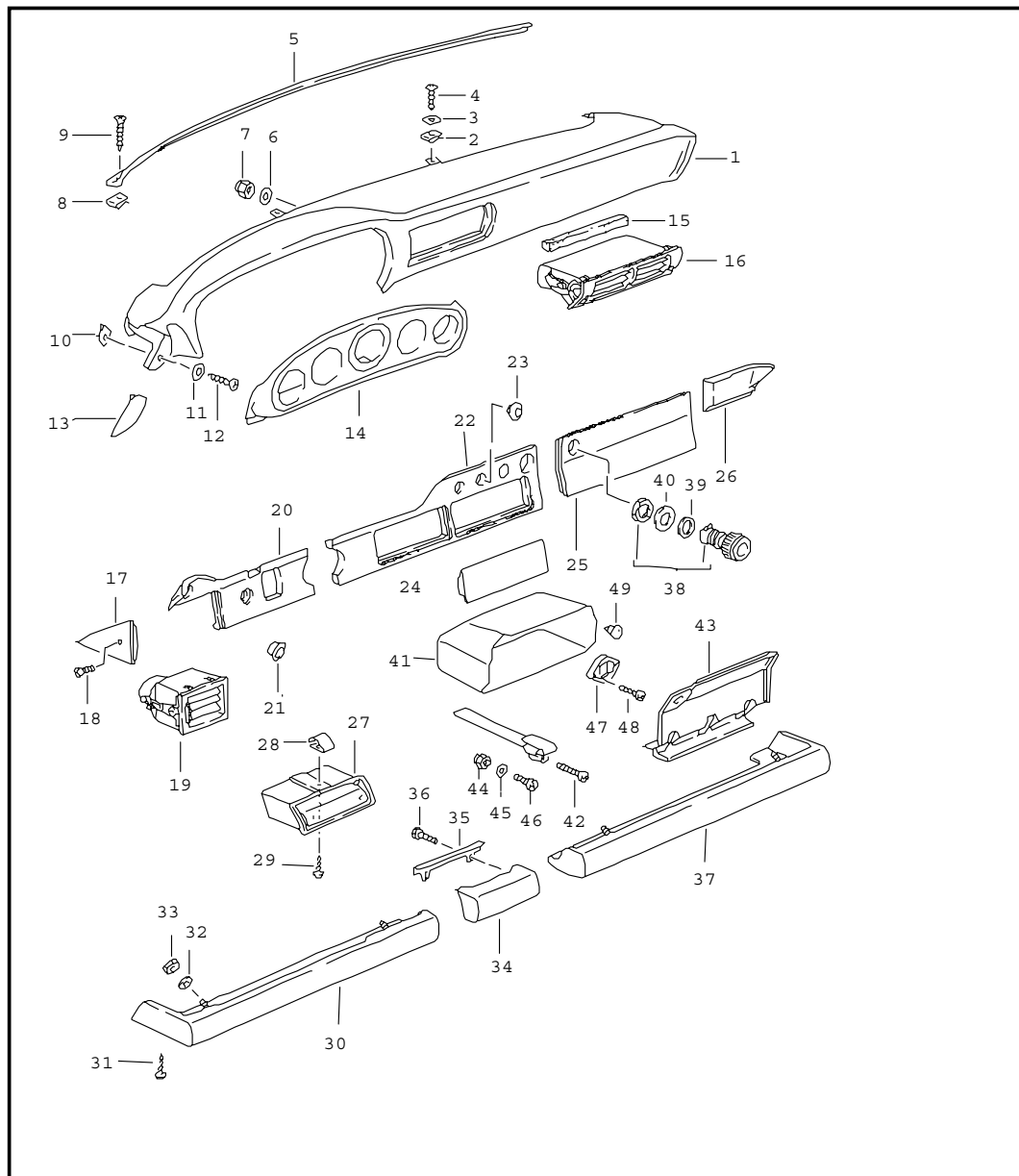
Model	Year	MG	SG	Illustration	Restrictions	Update	10:03	25.08.2006	PORSCHE	PET	PORSCHE
993	98	8	09	809-01		203					

Pos	Part Number	Name	Remarks	Qty	Model	Pos	Part Number	Name	Remarks	Qty	Model
18	900 143 085 07	tapping screw B 4,2 X 16		3		32	964 552 125 04	glove box cover leatherette	/LL	1	
19	900 151 028 07	washer B 4,3		4			05T	black			
20	999 591 925 02	speed nut	94	7			9WH	classic grey			
20	999 591 850 02	speed nut B 4,2	95-	2			3HP	midnight blue			
21	964 552 501 03	glove compartment	/LL	1		(32) A	993 552 124 00	glove box cover leatherette	/RL	1	
(21)	993 552 502 00	glove compartment	/RL	1			05T	black			
22	999 919 088 02	oval-head screw 5,0 X 16		2			9WH	classic grey			
23	964 552 723 00	stop	/LL	1			3HP	midnight blue			
(23)	993 552 724 00	stop	/RL	1			6PN	chestnut brown			
24	999 591 679 40	special nut B 4,2		2		(32)	993 552 126 00	glove box cover leatherette	/RL	1	
25	N 902 662 01	tapping screw B 3,5 X 16		2			05T	black			
26	944 552 259 00	plug		2			9WH	classic grey			
27	964 552 095 00	hinge		1			3HP	midnight blue			
	70B	black					6PN	chestnut brown			
28	900 146 132 07	oval-head screw M 5 X 8		2		(32) A	964 552 123 05	glove box cover leather	/LL -96	1	
29	999 025 234 07	washer 5,3 X 22 X 1,6		2			8YR	black			
30	900 146 003 02	oval-head screw M 5 X 10		3			6XL	classic grey			
31	900 151 027 02	washer B 5,3		3			H24	midnight blue			
(32) A	964 552 123 04	glove box cover leatherette	/LL	1			T15	chestnut brown			
	05T	black					K03	cedar green	-96		
	9WH	classic grey					8SE	flamenco red	-96		
	3HP	midnight blue					E38	rubicon grey	96-97		
	6PN	chestnut brown				32	993 552 129 00	glove box cover leather	/LL	1	
							8YR	black			
							6XL	classic grey			
							H24	midnight blue			

Model	Year	MG	SG	Illustration	Restrictions	Update	10:03	25.08.2006	PORSCHE	PET	PORSCHE
993	98	8	09	809-01		203					

Pos	Part Number	Name	Remarks	Qty	Model	Pos	Part Number	Name	Remarks	Qty	Model
	T15	chestnut brown					01C	satin black			
	K03	cedar green	-96			35	964 538 061 00	glove compartment lock		1	
	8SE	flamenco red	-96				01C	satin black			
	E38	rubicon grey	96-97			36	964 538 961 00	lock cylinder w/o stipulated lock number order also: POS.35		1	
	J30	nephrite green	97-								
	M30	boxster red	97-			36	964 538 961 01	lock cylinder state lock number order also: POS.35		1	
	B50	space grey	98-								
(32)	A 993 552 124 01	glove box cover leather	/RL -96	1							
	8YR	black				37	911 538 902 00	replacement key state lock number information available		X	
	6XL	classic grey				38	964 552 633 01	clip		1	
	H24	midnight blue				39	964 552 635 01	plate		1	
	T15	chestnut brown				40	964 552 637 01	clamping piece		1	
	K03	cedar green	-96			41	900 146 117 02	screw M 5 X 12		2	
	8SE	flamenco red	-96			42	964 552 061 00	plate	/LL	1	
	E38	rubicon grey	96-97			(42)	993 552 062 00	plate locking device glove box cover	/RL	1	
(32)	993 552 130 00	glove box cover leather	/RL	1							
	8YR	black				43	900 269 013 07	countersunk-head screw M 5 X 8		1	
	6XL	classic grey				44	964 552 315 02	interior frame	/LL	1	
	H24	midnight blue				(44)	993 552 316 00	interior frame	/RL	1	
	T15	chestnut brown				45	900 269 018 07	countersunk-head screw M 5 X 16		2	
	K03	cedar green	-96			46	964 552 623 00	control button		1	
	8SE	flamenco red	-96				01C	satin black			
	E38	rubicon grey	96-97			47	900 270 046 07	countersunk-head screw M 4 X 8		1	
	J30	nephrite green	97-								
	M30	boxster red	97-								
	B50	space grey	98-								
								- - - E N D - - -			
33	999 025 200 07	washer 21,3 X 40 X 1		1							
34	964 552 312 00	rose		1							

Model	Year	MG	SG	Illustration	Restrictions	Update	10:04	25.08.2006	PORSCHE	PET	PORSCHE
993	98	8	09	809-02		203					



Pos	Part Number	Name	Remarks	Qty	Model
		dashboard knee protection strip for cars without airbag passenger's side			CARRERA RS
1	993 552 055 00	dashboard trim leatherette	/LL	1	M 002
	05T	black			
(1)	993 552 056 00	dashboard trim leatherette	/RL	1	M 002
	05T	black			
(1)	993 552 055 70	dashboard trim leatherette	/LL	1	M 003
	05T	black			
(1)	993 552 056 70	dashboard trim leatherette	/RL	1	M 003
	05T	black			
2	999 591 713 02	speed nut B 4,2		2	
3	900 025 002 02	washer A 4,3		2	
4	900 143 121 07	tapping screw B 4,2 X 16		2	
5	964 552 411 00	defroster vent		1	
	5XJ	black			
6	900 151 006 09	washer B 6,4		1	
7	900 377 010 09	hexagon nut M 6		1	
8	999 591 713 02	speed nut B 4,2		5	
9	900 145 084 07	tapping screw B 4,2 X 19		5	
10	999 591 331 02	speed nut B 4,2		2	
11	900 025 002 02	washer A 4,3		2	

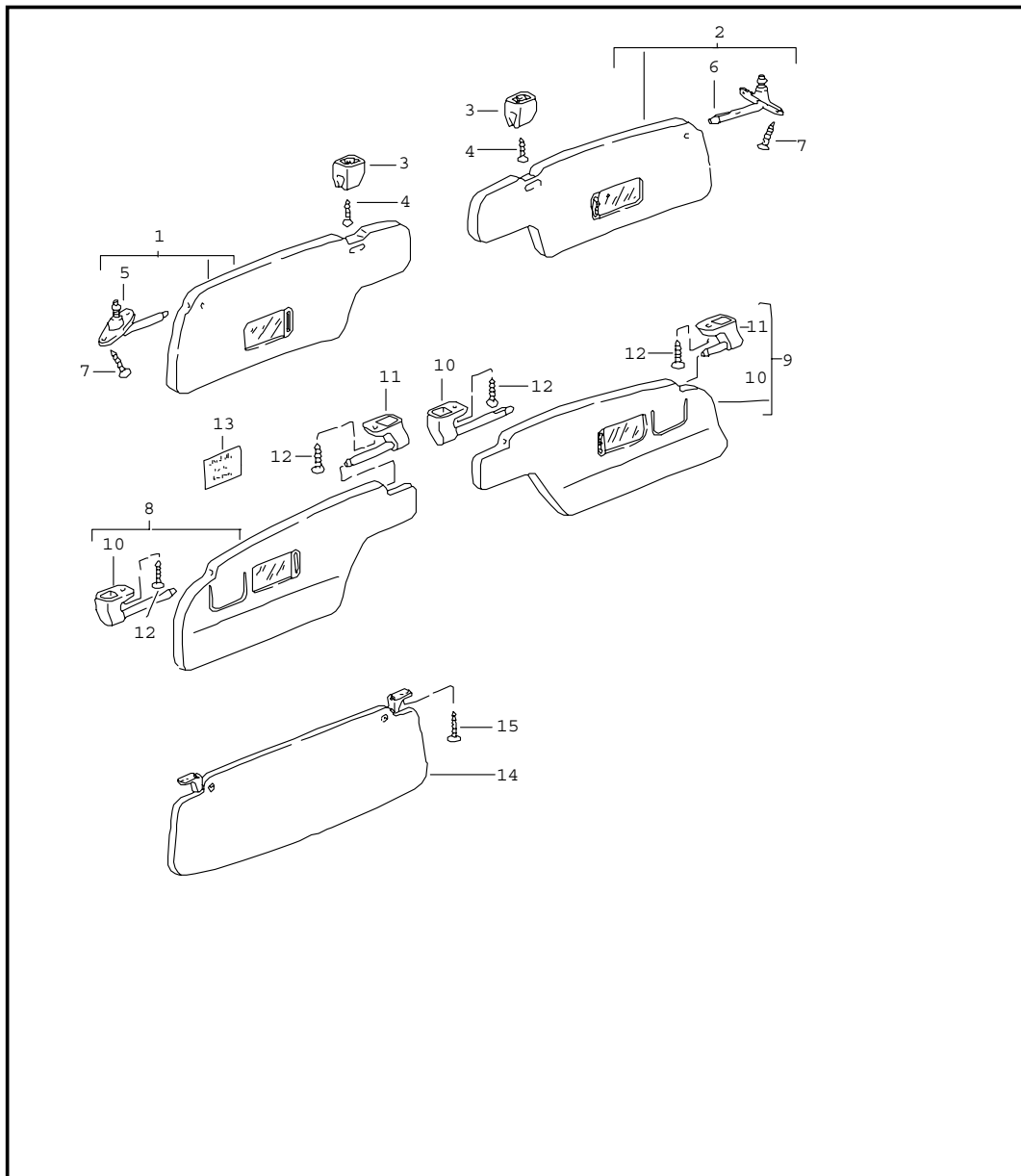
Model	Year	MG	SG	Illustration	Restrictions	Update	10:04	25.08.2006	PORSCHE	PET	PORSCHE
993	98	8	09	809-02		203					

Pos	Part Number	Name	Remarks	Qty	Model	Pos	Part Number	Name	Remarks	Qty	Model
12	900 143 121 07	tapping screw B 4,2 X 16		2			05T	black			
13	964 552 231 01	cover	/L	1		(20)	964 552 478 70	cover	/RL/R	1	M 003
	01C	satin black					05T	black			
13	964 552 232 01	cover	/R	1		21	911 552 217 00	rose		1	M 002
	01C	satin black					70B	black			
14	911 552 549 00	cover	/LL	1		22	964 552 479 00	cover	/LL	1	
	700	black					05T	black			
(14)	911 552 550 00	cover	/RL	1		(22)	964 552 480 00	cover	/RL	1	
	700	black					05T	black			
15	964 572 787 00	plastic foam strip 365 X 15 X 10		1		23	999 703 344 40	cap		2	
16	964 572 051 00	centre nozzle	/LL	1			01C	satin black 22 X 28 X 4,7			
	01C	black				24	911 552 463 02	trim		1	
(16)	964 572 052 00	centre nozzle	/RL	1			70B	black			
	01C	black				25	911 552 488 04	cover		1	
17	911 552 591 00	cover	/L	1			05T	black			
	01C	satin black				26	964 552 594 00	cover	/LL/R	1	M 002
(17)	911 552 592 00	cover	/R	1			05T	black			
	01C	satin black				(26)	964 552 594 70	cover	/LL/R	1	M 003
18	900 145 003 07	tapping screw BZ 3,5 X 9,5		2			05T	black			
19	964 572 261 01	side vent	/L	1		(26)	964 552 593 00	cover	/RL/L	1	M 002
	01C	satin black					05T	black			
(19)	964 572 262 01	side vent	/R	1		(26)	964 552 593 70	cover	/RL/L	1	M 003
	01C	satin black					05T	black			
20	964 552 477 00	cover	/LL/L	1	M 002	27	911 552 101 00	ashtray		1	
	05T	black				28	999 591 850 02	speed nut		2	
(20)	964 552 477 70	cover	/LL/L	1	M 003	29	900 143 007 02	tapping screw 4,2 X 13		2	
	05T	black				30	911 552 069 00	knee protection strip leatherette	/LL/L	1	M 002
(20)	964 552 478 00	cover	/RL/R	1	M 002		05T	black			

Model	Year	MG	SG	Illustration	Restrictions	Update	10:04	25.08.2006	PORSCHE	PET	PORSCHE
993	98	8	09	809-02		203					

Pos	Part Number	Name	Remarks	Qty	Model	Pos	Part Number	Name	Remarks	Qty	Model
(30)	911 552 069 01	knee protection strip leatherette	/RL/L	1	M 002		01C	satin black			
	05T	black				39	999 025 256 30	washer 21 X 25 X 1,5		1	
(30)	964 552 077 70	knee protection strip leatherette	/LL/L	1	M 003	40	911 552 103 01	washer		1	
	05T	black				41	964 552 501 00	glove compartment		1	
(30)	964 552 077 71	knee protection strip leatherette	/RL/L	1	M 003	42	N 014 153 1	oval-head screw M 5 X 40		1	
	05T	black				43	911 552 010 05	glove box cover		1	
31	999 073 062 02	tapping screw 4,8 X 19		2	M 002		GRV	prime coated			
32	900 151 027 02	washer 5,3		4		44	N 021 196 1	lock nut M 5		4	
33	N 011 005 14	hexagon nut M 5		4		45	900 025 003 02	washer 5,3		4	
34	911 552 050 01	ashtray handle leatherette		1		46	900 146 003 02	oval-head screw M 5 X 10		2	
	05T	black				47	911 552 513 02	door lock striker		1	
35	911 552 607 00	fireproof plate		1		48	900 143 002 07	tapping screw 2,9 X 9,5		2	
	70B	satin black				49	999 703 230 40	buffer 8,15 X 20		2	
36	900 075 408 07	hexagon-head bolt M 4 X 16		2				- - - E N D - - -			
37	911 552 070 00	knee protection strip leatherette	/LL/R	1	M 002						
	05T	black									
(37)	911 552 070 01	knee protection strip leatherette	/RL/R	1	M 002						
	05T	black									
/37)	964 552 078 70	knee protection strip leatherette	/LL/R	1	M 003						
	05T	black									
(37)	964 552 078 71	knee protection strip leatherette	/RL/R	1	M 003						
	05T	black									
38	964 538 059 03	glove compartment lock		1							

Model	Year	MG	SG	Illustration	Restrictions	Update	10:06	25.08.2006	PORSCHE	PET	PORSCHE
993	98	8	09	809-05		203					

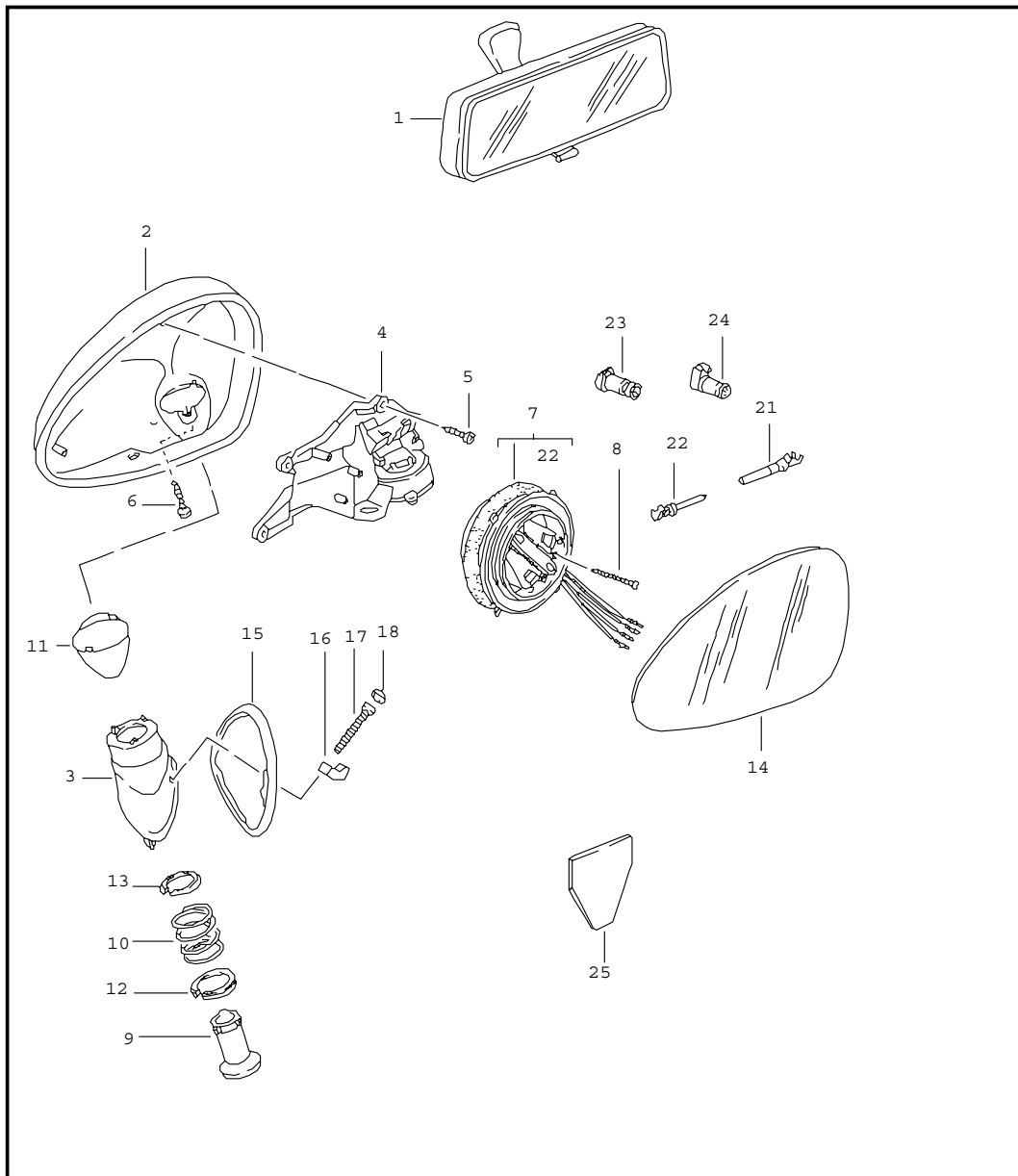


Pos	Part Number	Name	Remarks	Qty	Model	
1	964 731 031 01	sun visors				
		sun visor	/L -95 /L -95	1	COUPE CARRERA RS: M 002 TURBO	
		CA9 black	-95		COUPE TURBO	
		6WJ classic grey				
		5GS midnight blue				
		8PQ chestnut brown				
		(1) 993 731 031 00	sun visor	/L 96-	1	COUPE TURBO:M 520
		70A black	96-		COUPE TURBO:M 520	
		6WJ classic grey				
		5GS midnight blue				
2	964 731 032 01	sun visor	96-97			
		sun visor	/R -95 -95	1	COUPE CARRERA RS: M 002 TURBO	
		CA9 black	-95		COUPE TURBO	
		6WJ classic grey				
		5GS midnight blue				
		8PQ chestnut brown				
		(2) 993 731 032 00	sun visor	/R 96-	1	COUPE TURBO:M 520
		70A black	96-		COUPE TURBO:M 520	
		6WJ classic grey				
		5GS midnight blue				
2	993 731 032 00	sun visor	96-97			
		70A black				
		6WJ classic grey				
		5GS midnight blue				
2	993 731 032 00	sun visor	96-97			
		70A black				
		6WJ classic grey				
		5GS midnight blue				

Model	Year	MG	SG	Illustration	Restrictions	Update	10:06	25.08.2006	PORSCHE	PET	PORSCHE
993	98	8	09	809-05		203					

Pos	Part Number	Name	Remarks	Qty	Model	Pos	Part Number	Name	Remarks	Qty	Model
3	911 731 331 00	support		2	COUPE CARRERA RS: M 002	14	964 731 031 70	sun visor		2	CARRERA RS:
							70A	black			M 003
4	900 143 111 07	oval-head sheetmetal screw B 3,9 X 13	95	2	COUPE CARRERA RS: M 002	15	900 143 111 07	tapping screw B 3,9 X 13		4	CARRERA RS: M 003
5	964 731 319 00	bearing	/L 95	1	COUPE CARRERA RS: M 002			- - - E N D - - -			
6	964 731 320 00	bearing	/R 95	1	COUPE CARRERA RS: M 002						
7	900 145 075 07	tapping screw B 4,2 X 16		4	COUPE CARRERA RS: M 002						
8	964 731 031 43	sun visor	/L -95	1	CABRIO						
	CA9	black	-95								
(8)	993 731 031 01	sun visor	/L 96-	1	CABRIO/ TARGA						
	70A	black	96-								
9	964 731 032 41	sun visor	/R -95	1	CABRIO						
	CA9	black	-95								
(9)	993 731 032 01	sun visor	/R 96-	1	CABRIO/ TARGA						
	70A	black	96-								
10	964 731 319 40	bearing bracket	/L	2	CABRIO						
11	964 731 320 40	bearing bracket	/R	2	CABRIO						
12	900 145 101 07	tapping screw B 4,8 X 16		4	CABRIO						
12	900 145 079 07	tapping screw 4,8 X 19		4	TARGA						
13	993 701 401 06	sticker german folding top control		1	CABRIO						
13	993 701 401 07	sticker english folding top control		1	CABRIO						

Model	Year	MG	SG	Illustration	Restrictions	Update	10:07	25.08.2006	PORSCHE	PET	PORSCHE
993	98	8	09	809-10		203					

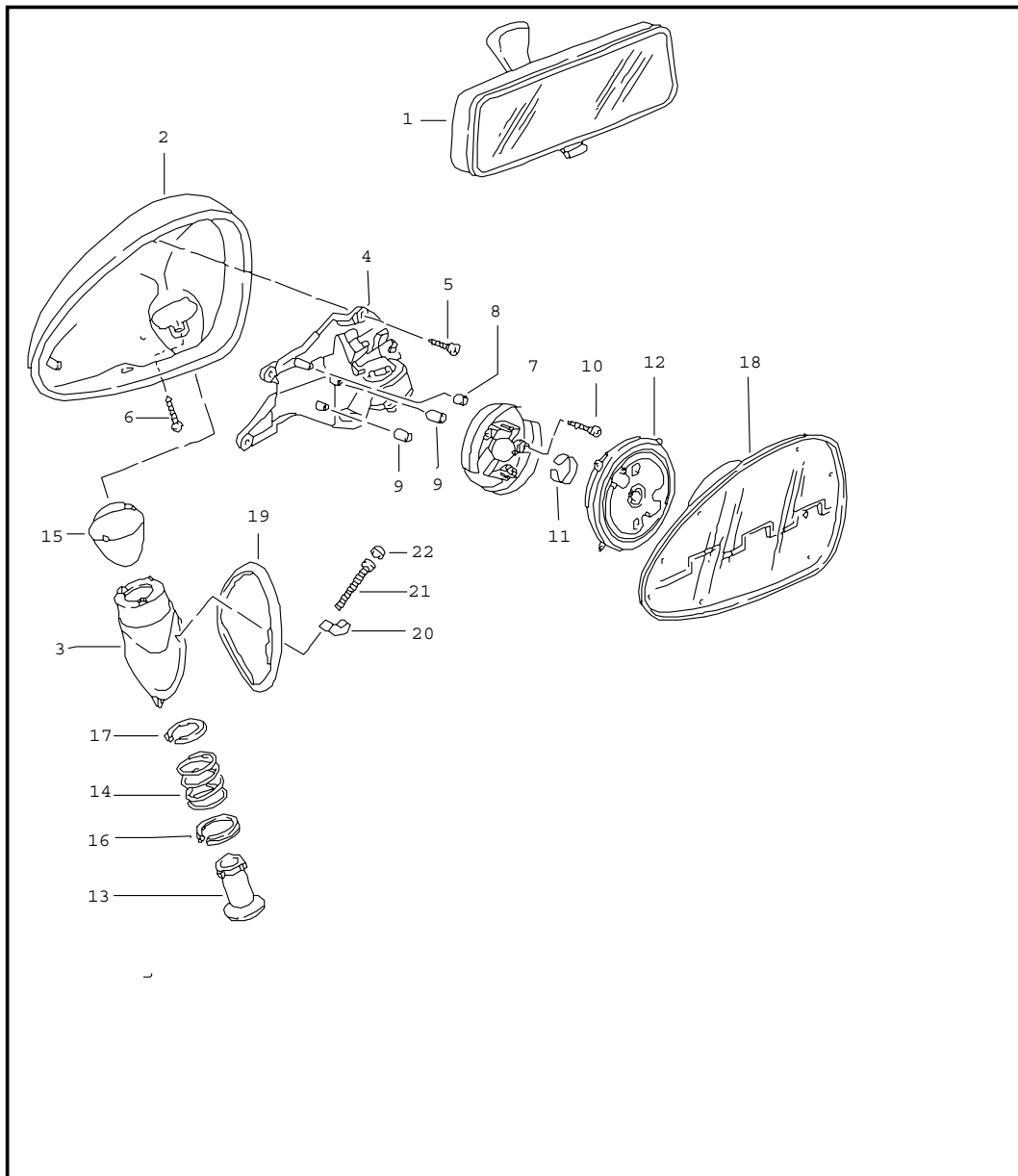


Pos	Part Number	Name	Remarks	Qty	Model
(1)	477 857 511 A	interior mirror door mirror		1	CARRERA /4 TURBO/TARGA
	01C	black			
	F	>>99RS3 14551			COUPE
	F	>>99RS3 30457			CABRIO
1	000 731 511 00	interior mirror		1	
	01C	black			
	F 99RS3 14552>>				COUPE
	F 99RS3 30458>>				CABRIO
2	965 731 243 00	mirror housing	/L	1	
	G2L	prime coated			
(2)	965 731 244 00	mirror housing	/R	1	
	G2L	prime coated			
3	965 731 241 00	mirror base	/LL/L	1	
	G2M	prime coated			
(3)	965 731 242 01	mirror base	/LL/R	1	
	G2M	prime coated			
(3)	965 731 241 01	mirror base	/RL/L	1	
	G2M	prime coated			
(3)	965 731 242 00	mirror base	/RL/R	1	
	G2M	prime coated			
4	965 731 245 01	reinforcement plate	/L	1	
(4)	965 731 246 01	reinforcement plate	/R	1	
5	999 919 109 02	countersunk-head screw 3,0 X 12		6	
6	999 919 110 02	oval-head screw 3 X 14		2	
7	965 624 901 00	adjusting motor		2	
8	900 278 013 02	oval-head screw M 3 X 30		6	
9	965 731 257 00	bolt		2	
10	965 731 259 00	compression spring		2	

Model	Year	MG	SG	Illustration	Restrictions	Update	10:07	25.08.2006	PORSCHE	PET	PORSCHE
993	98	8	09	809-10		203					

Pos	Part Number	Name	Remarks	Qty	Model	Pos	Part Number	Name	Remarks	Qty	Model
11	965 731 143 00	gasket	/L	1							
(11)	965 731 144 00	gasket	/R	1							
12	965 731 345 00	adjusting washer lower		2							
13	965 731 347 00	adjusting washer upper		2							
14	965 731 035 00	mirror glass plan	/L	1							
(14)	965 731 036 00	mirror glass plan	/R	1							
(14)	965 731 037 00	mirror glass convex	/L	1							
(14)	965 731 038 00	mirror glass	/R	1							
(14)	993 731 038 00	mirror glass convex	/R	1	M 215						
15	965 731 247 00	desk pad	/LL/L	1							
(15)	965 731 248 01	desk pad	/LL/R	1							
(15)	965 731 247 01	desk pad	/RL/L	1							
(15)	965 731 248 00	desk pad mirror base	/RL/R	1							
16	911 731 263 00	mounting piece		2							
17	999 218 021 02	pan-head screw micro-self-locking M 5 X 35		2							
18	999 703 137 40	cap		2							
21	999 652 711 10	bush		X							
22	999 652 710 10	pin		X							
23	964 612 516 00	connector 6-pole		1							
24	964 612 616 00	plug socket 6-pole		1							
25	911 731 343 03	gasket		1							
		- - - E N D - - -									

Model	Year	MG	SG	Illustration	Restrictions	Update	10:07	25.08.2006	PORSCHE	PET	PORSCHE
993	98	8	09	809-12		203					

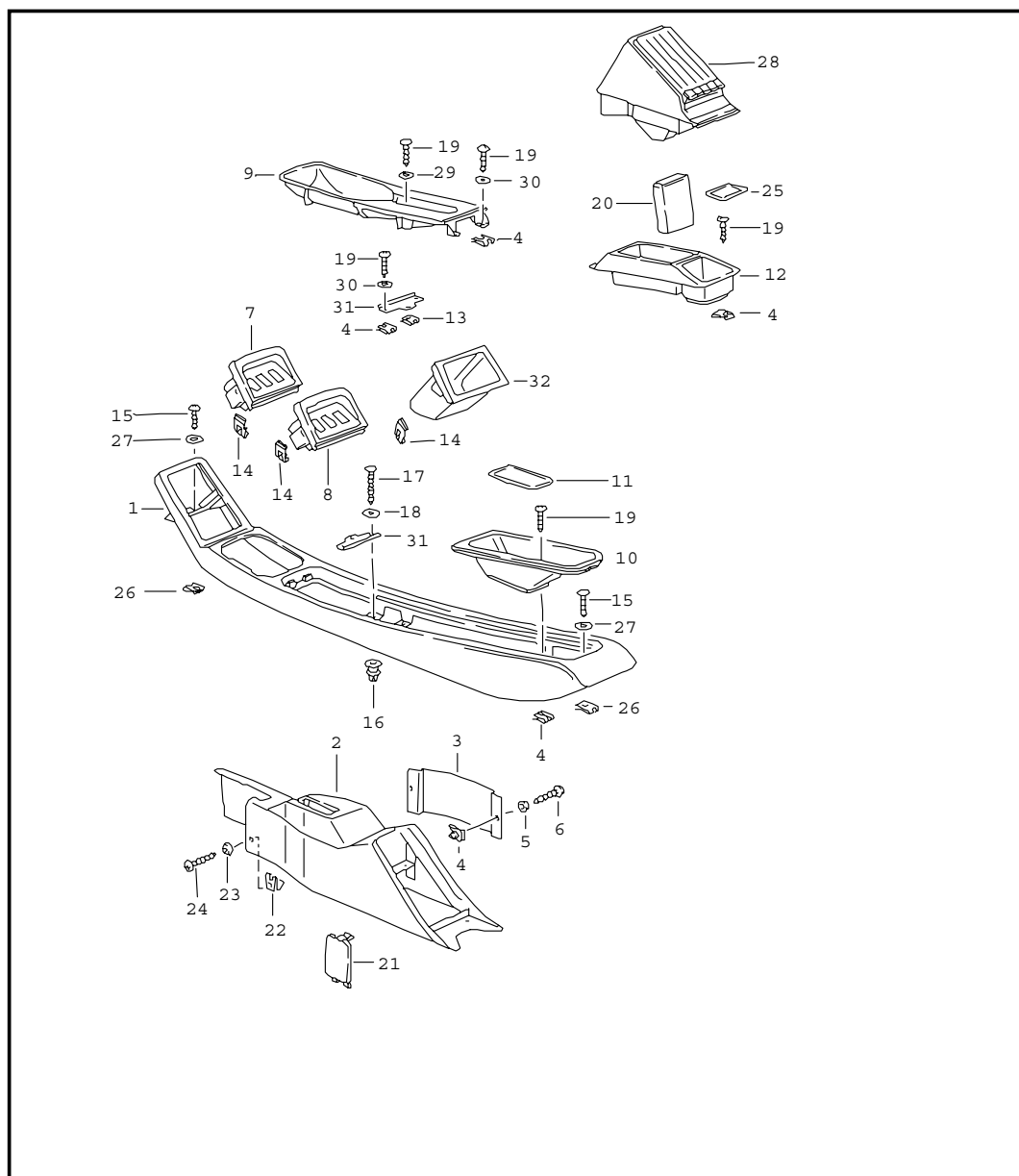


Pos	Part Number	Name	Remarks	Qty	Model
		interior mirror door mirror			CARRERA RS
1	000 731 511 00	interior mirror		1	
	01C	black			
2	965 731 243 00	mirror housing	/L	1	
	G2X	prime coated			
(2)	965 731 244 00	mirror housing	/R	1	
	G2X	prime coated			
3	965 731 241 00	mirror base	/LL/L	1	
	G2X	prime coated			
(3)	965 731 242 01	mirror base	/LL/R	1	
	G2X	prime coated			
(3)	965 731 241 01	mirror base	/RL/L	1	
	G2X	prime coated			
(3)	965 731 242 00	mirror base	/RL/R	1	
	G2X	prime coated			
4	965 731 245 01	reinforcement plate	/L	1	
(4)	965 731 246 01	reinforcement plate	/R	1	
5	999 919 109 02	countersunk-head screw		6	
		3,0 X 12			
6	999 919 110 02	oval-head screw		2	
		3 X 14			
7	964 731 767 00	plate with ball		2	
8	964 731 765 00	bush		2	
		3,8			
9	964 731 769 00	bush		4	
		8,8			
10	900 278 013 02	oval-head screw		6	
		M 3 X 30			
11	964 731 771 00	spring		2	
12	964 731 763 00	disc with spherical hole		2	
13	965 731 257 00	bolt		2	

Model	Year	MG	SG	Illustration	Restrictions	Update	10:07	25.08.2006	PORSCHE	PET	PORSCHE
993	98	8	09	809-12		203					

Pos	Part Number	Name	Remarks	Qty	Model	Pos	Part Number	Name	Remarks	Qty	Model
14	965 731 259 00	compression spring		2							
15	965 731 143 00	gasket	/L	1							
(15)	965 731 144 00	gasket	/R	1							
16	965 731 345 00	adjusting washer lower		2							
17	965 731 347 00	adjusting washer upper		2							
18	964 731 035 00	mirror glass plan	/LL/L	1							
(18)	964 731 036 00	mirror glass plan	/RL/R	1							
(18)	964 731 037 00	mirror glass convex	/RL/L	1							
(18)	964 731 038 00	mirror glass convex	/LL/R	1							
19	965 731 247 00	desk pad	/LL/L	1							
(19)	965 731 248 01	desk pad	/LL/R	1							
(19)	965 731 247 01	desk pad	/RL/L	1							
(19)	965 731 248 00	desk pad mirror base	/RL/R	1							
20	911 731 263 00	mounting piece		2							
21	999 218 021 02	pan-head screw micro-self-locking M 5 X 35		2							
22	999 703 137 40	cap		2							
		- - - E N D - - -									

Model	Year	MG	SG	Illustration	Restrictions	Update	10:07	25.08.2006	PORSCHE	PET	PORSCHE
993	98	8	09	809-15		203					



Pos	Part Number	Name	Remarks	Qty	Model
1	964 552 017 00	centre console centre console upper part leatherette		1	
	05T	black			
	2WJ	classic grey			
	6HP	midnight blue			
	7PD	chestnut brown			
	8CF	marble grey	-96		
	8CF	marble grey	97		(GB)
	7RT	cashmere beige			
1	964 552 017 01	centre console upper part leather		1	
	8YR	black			
	6XL	classic grey			
	H24	midnight blue			
	T15	chestnut brown			
	3QN	marble grey	-96		
	3QN	marble grey	97		(GB)
	4YU	cashmere beige			
	G43	provence blue	-96		
	K03	cedar green	-96		
	8SE	flamenco red	-96		
	E38	rubicon grey	96-97		
	J30	nephrite green	97-		
	M30	boxster red	97-		
	B50	space grey	98-		
2	964 552 013 06	centre console for cars with airbag lower part carpet	/LL 94	1	

Model	Year	MG	SG	Illustration	Restrictions	Update	10:07	25.08.2006	PORSCHE	PET	PORSCHE
993	98	8	09	809-15		203					

Pos	Part Number	Name	Remarks	Qty	Model	Pos	Part Number	Name	Remarks	Qty	Model
	5FV	black					3GE	midnight blue			
	4XR	classic grey					6SC	chestnut brown			
	3GE	midnight blue					DDQ	florentine grey			
	6SC	chestnut brown					8UT	cashmere beige			
	DDQ	florentine grey					1HQ	provence blue	-96		
	8UT	cashmere beige					2JP	cedar green	-96		
	1HQ	provence blue	-96				3TE	flamenco red	-96		
	2JP	cedar green	-96			(2)	993 552 013 01	centre console for cars with airbag lower part carpet	/RL 94	1	
(2)	993 552 013 04	centre console for cars with airbag lower part carpet	/LL 95-	1			5FV	black			
	5FV	black					4XR	classic grey			
	4XR	classic grey					3GE	midnight blue			
	3GE	midnight blue					6SC	chestnut brown			
	6SC	chestnut brown					DDQ	florentine grey			
	DDQ	florentine grey					8UT	cashmere beige			
	8UT	cashmere beige					1HQ	provence blue	-96		
	1HQ	provence blue	-96				2JP	cedar green	-96		
	2JP	cedar green	-96				3TE	flamenco red	-96		
	3TE	flamenco red	-96			(2)	993 552 013 05	centre console for cars with airbag lower part carpet	/RL 95-	1	
	8AS	rubicon grey	96-97				5FV	black			
	J30	nephrite green	97-				4XR	classic grey			
	M30	boxster red	97-				3GE	midnight blue			
(2) A	993 552 013 00	centre console for cars with airbag lower part carpet	/RL 94	1			6SC	chestnut brown			
	5FV	black					DDQ	florentine grey			
	4XR	classic grey					8UT	cashmere beige			
							1HQ	provence blue	-96		

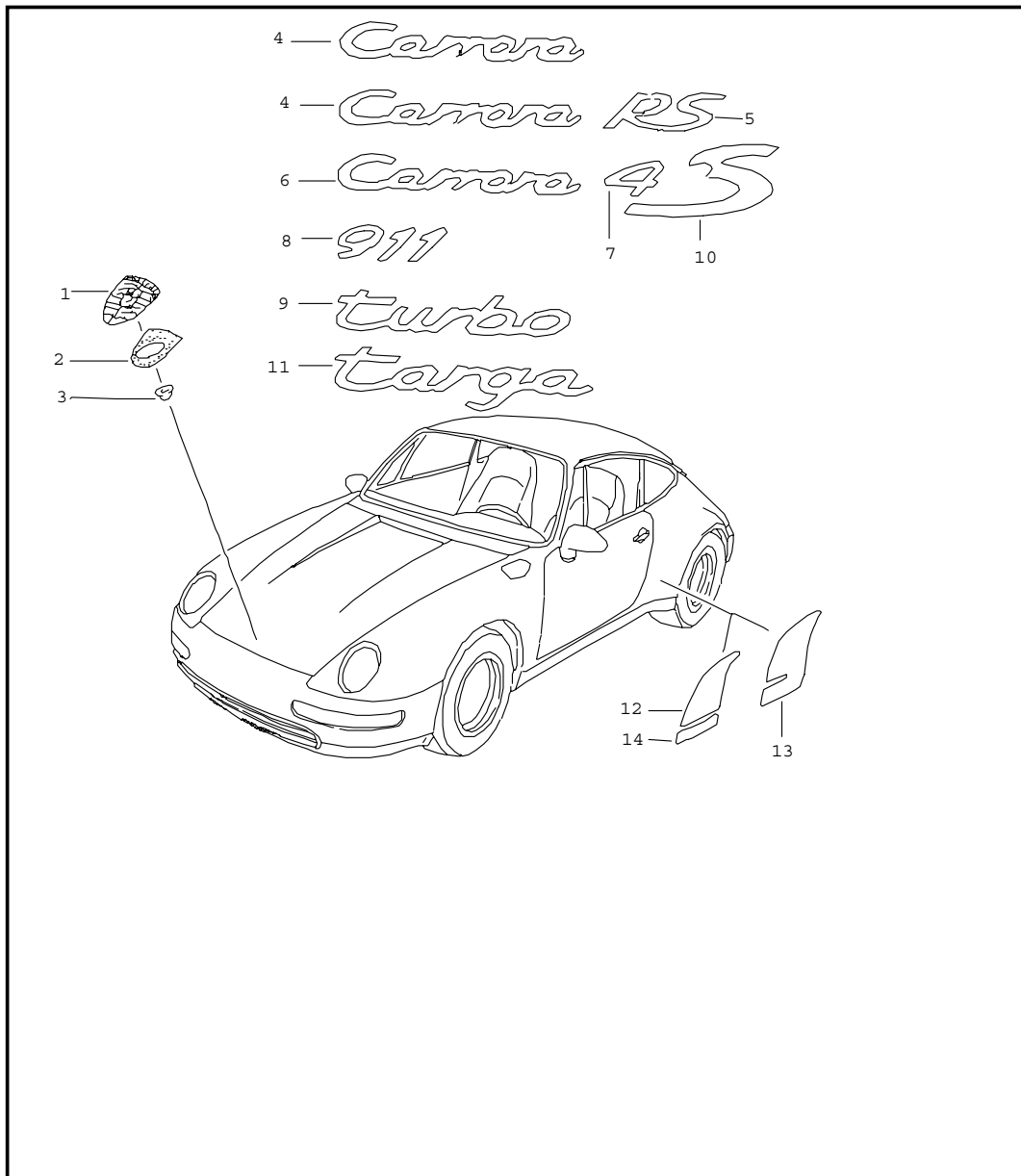
Model	Year	MG	SG	Illustration	Restrictions	Update	10:07	25.08.2006	PORSCHE	PET	PORSCHE
993	98	8	09	809-15		203					

Pos	Part Number	Name	Remarks	Qty	Model	Pos	Part Number	Name	Remarks	Qty	Model
	2JP	cedar green	-96			6	900 145 041 07	tapping screw B 3,5 X 16		2	
	3TE	flamenco red	-96			7	964 552 135 01	cover		1	
	8AS	rubicon grey	96-97				1DB	black upper			
	J30	nephrite green	97-			8	993 632 071 10	cover		1	COUPE
	M30	boxster red	97-			(8)	993 632 071 11	cover		1	M 650
(2)	993 552 013 02	centre console lower part for cars without airbag carpet	/LL 95-	1	CARRERA RS	(8)	993 632 071 12	cover		1	CABRIO
	5FV	black				(8)	993 632 071 13	cover		1	M 425
(2)	993 552 013 03	centre console lower part for cars without airbag carpet	/RL 95-	1	CARRERA RS	(8)	993 632 071 14	cover centre		1	M 425/650
	5FV	black				9	964 552 539 00	cover		1	
3	964 552 133 00	cover carpet		1			1DB	black parking-brake lever		1	TARGA:M 425
	5FV	black				(9)	993 552 539 00	cover		1	
	4XR	classic grey					1DB	black parking-brake lever			
	3GE	midnight blue				10	964 552 159 00	cup		1	
	6SC	chestnut brown					1DB	black			
	DDQ	florentine grey				11 A	964 552 121 00	insert		1	
	8UT	cashmere beige					01C	black			
	1HQ	provence blue	-96			11	993 552 091 00	insert		1	
	2JP	cedar green	-96			12	964 552 553 00	cassette box		1	
	3TE	flamenco red	-96				1DB	black			
	8AS	rubicon grey	96-97			13	999 591 725 02	speed nut B 3,5		1	
	J30	nephrite green	97-			14	944 552 557 00	spring clamp		4	
	M30	boxster red	97-			15	900 143 007 02	tapping screw B 4,2 X 13		6	
4	999 591 349 02	speed nut B 3,5		12		16	999 591 919 40	expander nut B 4,8		2	
5	999 591 102 17	washer 3,5		2		17	900 143 088 07	tapping screw B 4,8 X 32		2	

Model	Year	MG	SG	Illustration	Restrictions	Update	10:07	25.08.2006	PORSCHE	PET	PORSCHE
993	98	8	09	809-15		203					

Pos	Part Number	Name	Remarks	Qty	Model	Pos	Part Number	Name	Remarks	Qty	Model
18	900 151 027 02	washer B 5,3		2							
19	N 013 958 14	tapping screw B 3,5 X 13		7							
20	993 552 753 00	cassette box		4							
	01C	satin black									
21	993 552 523 00	cover	95-	1							
	01C	satin black									
22	999 591 850 02	speed nut B 4,2		2							
23	999 591 116 07	cone washer 4,5		2							
24	N 014 093 3	tapping screw B 4,2 X 13		2							
25	964 552 715 00	insert	-95	1							
	01C	black									
25	993 552 675 00	insert	96-	1							
26	999 591 331 02	speed nut B 4,2		6							
27	900 151 028 02	washer B 4,3		6							
28	EXC 993 017 70	box for cds for		1 5	COUPE						
28	A EXC 993 017 80	box for cds for		1 8							
29	N 011 663 4	washer B 3,7		1							
30	900 025 013 07	washer A 3,7		4							
31	964 552 543 00	reinforcement		1							
32	964 552 157 00	package box		1							
	1DB	black									
		- - - E N D - - -									

Model	Year	MG	SG	Illustration	Restrictions	Update	10:07	25.08.2006	PORSCHE	PET	PORSCHE
993	98	8	10	810-00		203					



Pos	Part Number	Name	Remarks	Qty	Model
		insignias stone guard film			
1	993 559 211 00	lid emblem		1	
2	901 559 215 20	desk pad		1	
3	999 591 423 03	tapping nut		2	
4	993 559 237 00	logo		1	
		70C rally black			
5	993 559 241 02	logo		1	
		70C rally black			
6	993 559 237 02	logo	95-	1	
		4PU silver			
6	993 559 237 06	logo	97-	1	M 495
		61W steel grey			
7	993 559 241 01	logo	95-	1	
		4PU silver			
8	993 559 237 01	logo		1	
		70C rally black			
9	993 559 237 03	logo		1	
		4PU silver			
10	993 559 243 00	logo		1	TURBO-LOOK
		D04 grey			
(10)	993 559 243 01	logo	97-	1	M 495
		61W steel grey			
11	993 559 237 04	logo	96-	1	
		70C rally black			
12 A	993 559 325 00	stone guard film side section	/L	1	CARRERA
		3YK clear			
		F >>99SS3 11014			COUPE
		F >>99SS3 30323			CABRIO
(12) A	993 559 326 00	stone guard film side section	/R	1	CARRERA

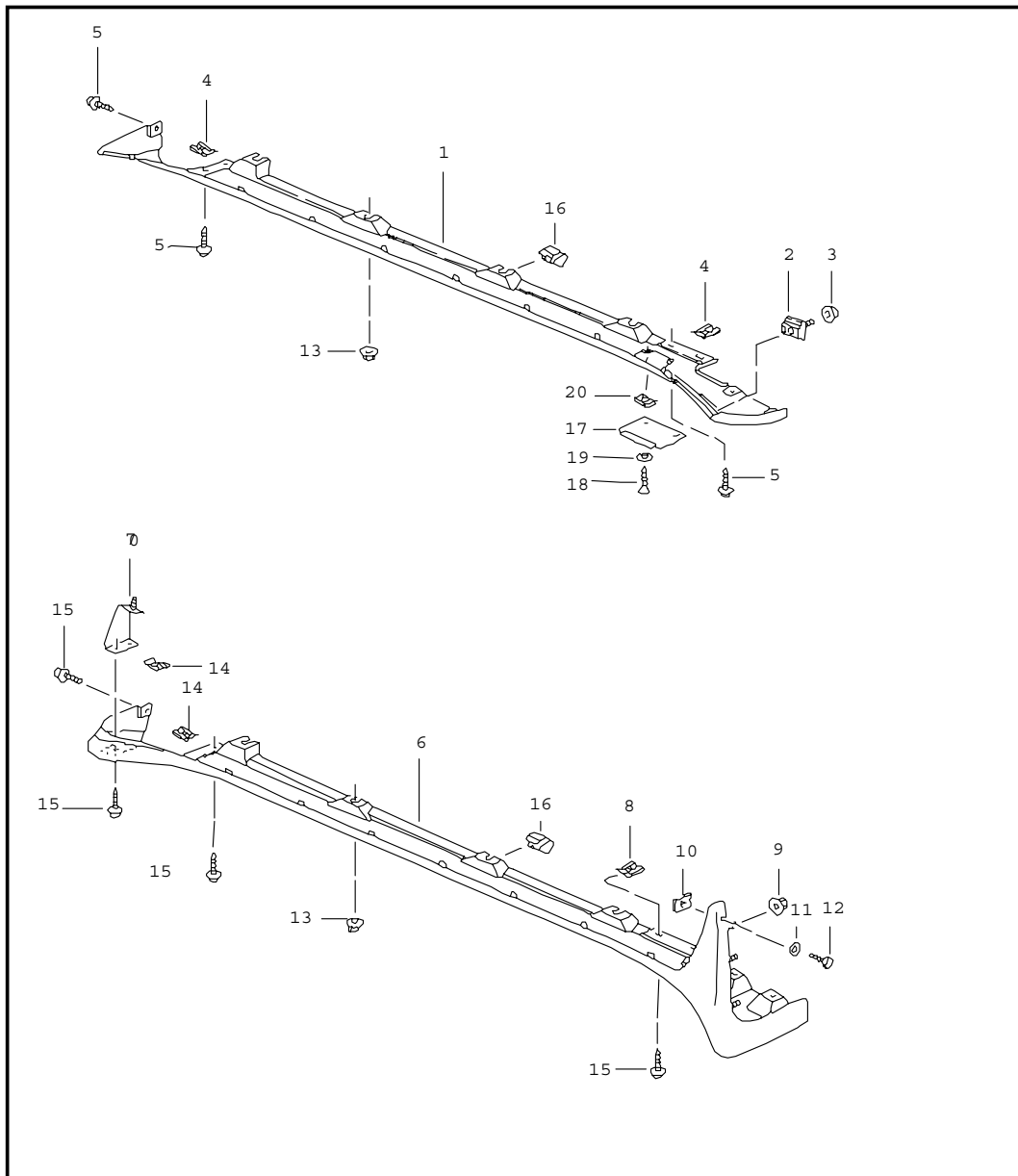
Model	Year	MG	SG	Illustration	Restrictions	Update	10:07	25.08.2006	PORSCHE	PET	PORSCHE
993	98	8	10	810-00		203					

Pos	Part Number	Name	Remarks	Qty	Model	Pos	Part Number	Name	Remarks	Qty	Model
	3YK	clear F >>99SS3 11014 F >>99SS3 30323			COUPE CABRIO		Z07	polar silver metallic F 99SS3 10980>> F 99SS3 30319>>	-96		COUPE CABRIO
12	993 559 325 04	stone guard film side section	/L	1	CARRERA		92T	arctic silver metallic	97-		
	3YK	clear F 99SS3 11015>> F 99SS3 30324>>			COUPE CABRIO		3AT	glacier white	97-		
(12)	993 559 326 04	stone guard film side section	/R	1	CARRERA	(13) A	993 559 325 02	stone guard film small side section	/L -95	1	TURBO
	3YK	clear F 99SS3 11015>> F 99SS3 30324>>			COUPE CABRIO	(13) A	993 559 326 02	stone guard film small side section	/R -95	1	TURBO
12	993 559 325 01	stone guard film side section	/L	1	CARRERA		3YK	clear			
	3YB	grand prix white F >>99SS3 11817	-96		COUPE	13	993 559 325 06	stone guard film large side section	/L	1	TURBO-LOOK TURBO/M 495
	Z07	polar silver metallic F >>99SS3 10979 F >>99SS3 30319	-96		COUPE CABRIO	(13)	993 559 326 06	stone guard film large side section	/R	1	TURBO-LOOK TURBO/M 495
(12)	993 559 326 01	stone guard film side section	/R	1	CARRERA		3YK	clear			
	3YB	grand prix white F >>99SS3 11817	-96		COUPE	(13) A	993 559 325 03	stone guard film small side section	/L -95	1	TURBO
	Z07	polar silver metallic F >>99SS3 10979 F >>99SS3 30319	-96		COUPE CABRIO		3YK	clear			
12	993 559 325 05	stone guard film side section	/L	1	CARRERA		3YB	grand prix white	-96		
	3YB	grand prix white F 99SS3 11818>>	-96		COUPE	(13) A	993 559 326 03	stone guard film small side section	/R -95	1	TURBO
	Z07	polar silver metallic F 99SS3 10980>> F 99SS3 30319>>	-96		COUPE CABRIO		3YB	grand prix white	-96		
	92T	arctic silver metallic	97-				Z07	polar silver metallic	-96		
	3AT	glacier white	97-			13	993 559 325 07	stone guard film large side section	/L	1	TURBO-LOOK TURBO/ CARRERA S
(12)	993 559 326 05	stone guard film side section	/R	1	CARRERA		3YB	grand prix white	-96		
	3YB	grand prix white F 99SS3 11818>>	-96		COUPE		Z07	polar silver metallic	-96		

Model	Year	MG	SG	Illustration	Restrictions	Update	10:07	25.08.2006	PORSCHE	PET	PORSCHE
993	98	8	10	810-00		203					

Pos	Part Number	Name	Remarks	Qty	Model	Pos	Part Number	Name	Remarks	Qty	Model
	92T	arctic silver metallic	97-								
	3AT	glacier white	97-								
(13)	993 559 326 07	stone guard film	/R	1	TURBO-LOOK TURBO/ CARRERA S						
		large side section	97-								
	3YB	grand prix white	-96								
	Z07	polar silver metallic	-96								
	92T	arctic silver metallic	97-								
	3AT	glacier white	97-								
14	993 559 335 00	stone guard film sill cover	/L	1	CARRERA RS						
	3YK	clear									
(14)	993 559 336 00	stone guard film sill cover	/R	1	CARRERA RS						
	3YK	clear									
14	993 559 335 01	stone guard film sill cover	/L	1	CARRERA RS						
	3YB	grand prix white									
	Z07	polar silver metallic									
(14)	993 559 336 01	stone guard film sill cover	/R	1	CARRERA RS						
	3YB	grand prix white									
	Z07	polar silver metallic									
		- - - E N D - - -									

Model	Year	MG	SG	Illustration	Restrictions	Update	10:08	25.08.2006	PORSCHE	PET	PORSCHE
993	98	8	10	810-05		203					

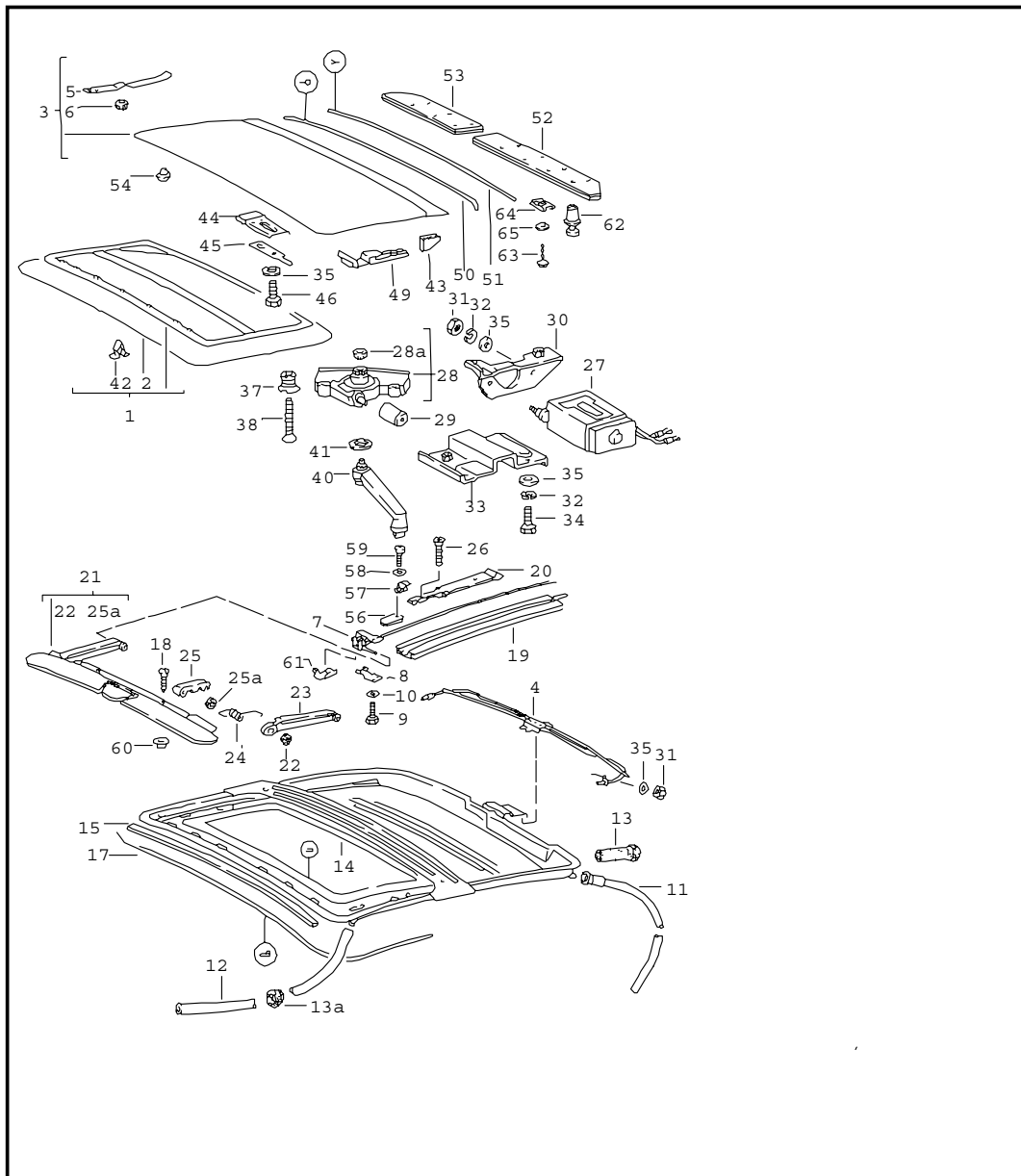


Pos	Part Number	Name	Remarks	Qty	Model
1	993 559 519 00	trim door sill		1	CARRERA
	01C	satin black	/L		
(1)	993 559 520 00	trim	/R	1	CARRERA
	01C	satin black			
(1)	993 559 125 00	trim	/L 96- /L 97-	1	M 491/TURBO M 495
	01C	satin black			
(1)	993 559 126 00	trim	/R 96- /R 97-	1	M 491/TURBO M 495
	01C	satin black			
2	999 507 373 00	support		4	CARRERA
(2)	999 591 990 00	support T 5		4	M 491/TURBO/ M 495
3	999 049 008 40	plastic nut T 5		12	
4	999 591 699 02	speed nut B 4,8		14	
5	900 143 159 07	screw B 4,8 X 19		10	CARRERA
6	993 559 125 01	trim	/L	1	CARRERA RS
	01C	satin black			
(6)	993 559 126 01	trim	/R	1	CARRERA RS
	01C	satin black			
7	993 559 509 00	support	/V	2	CARRERA RS
8	999 591 699 02	speed nut B 4,8		4	CARRERA RS
9	999 049 008 40	plastic nut T 5		10	CARRERA RS
10	999 507 480 02	speed nut 3,5		2	CARRERA RS
11	900 025 044 07	washer A 4,3		2	CARRERA RS

Model	Year	MG	SG	Illustration	Restrictions	Update	10:08	25.08.2006	PORSCHE	PET	PORSCHE
993	98	8	10	810-05		203					

Pos	Part Number	Name	Remarks	Qty	Model	Pos	Part Number	Name	Remarks	Qty	Model
12	900 143 124 07	tapping screw 3,5 X 13		2	CARRERA RS						
13	999 049 022 40	plastic nut T 5		6	CARRERA RS						
14	999 507 072 02	speed nut 4,8		4	CARRERA RS						
15	900 143 159 07	screw 4,8 X 19		4	CARRERA RS						
16	999 507 524 09	u-clamp		8	M 491/TURBO/ CARRERA RS/ M 495						
17	993 559 526 00	cover	/R	1	M 491/TURBO/ M 495						
		01C satin black									
(17)	993 559 526 01	cover	/R	1	CARRERA RS						
		01C satin black									
18	900 145 079 07	tapping screw 4,8 X 19		2	M 491/TURBO/ CARRERA RS						
19	999 704 606 17	washer 5,3		2	M 491/TURBO/ CARRERA RS/ M 495						
20	999 591 350 02	tapping screw 4,8		2	M 491/TURBO/ CARRERA RS/ M 495						
		- - - E N D - - -									

Model	Year	MG	SG	Illustration	Restrictions	Update	10:08	25.08.2006	PORSCHE	PET	PORSCHE
993	98	8	11	811-00		203					



Pos	Part Number	Name	Remarks	Qty	Model
1	993 564 019 00	sunroof roof frame		1	
	5VE	black			
	6WP	classic grey			
	1GE	midnight blue			
	1NE	chestnut brown			
	D03	rubicon grey			TURBO
2	993 564 201 00	cover		1	
	5VE	black			
	6WP	classic grey			
	1GE	midnight blue			
	1NE	chestnut brown			
	D03	rubicon grey			TURBO
3	993 564 051 00	cover	-96	1	
	GRV	prime coated			
3	993 564 051 01	cover	97-	1	
	GRV	prime coated			
4	993 564 231 00	pipeline		1	
5	911 564 417 00	leaf spring		2	
6	911 564 420 00	knurled nut		2	
(7)	964 564 143 00	guide	/L -96	1	
(7)	993 564 143 00	guide	/L 97-	1	
7	964 564 144 00	guide	/R -96	1	
7	993 564 144 00	guide	/R 97-	1	
8	901 564 451 05	reinforcement	-96	2	
8	993 564 451 00	reinforcement	97-	2	
9	900 075 106 02	hexagon-head bolt M 4 X 6		4	
10	900 025 002 02	washer A 4,3		4	

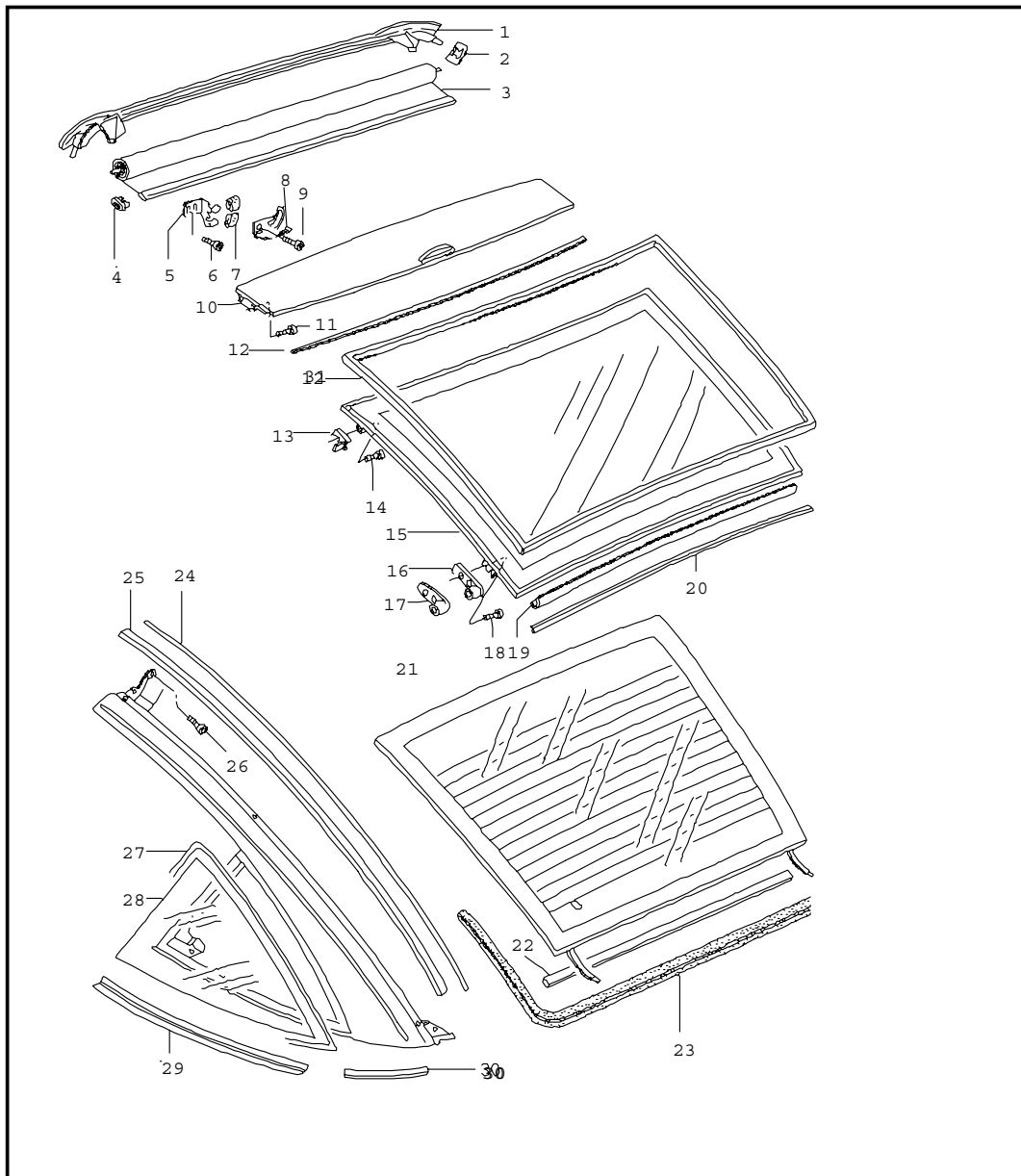
Model	Year	MG	SG	Illustration	Restrictions	Update	10:08	25.08.2006	PORSCHE	PET	PORSCHE
993	98	8	11	811-00		203					

Pos	Part Number	Name	Remarks	Qty	Model	Pos	Part Number	Name	Remarks	Qty	Model
11	944 564 235 04	water drain hose	/H	2		32	N 012 005 3	lock ring B 5		4	
12	964 564 725 00	water drain hose 8 X 1 X 1000	/V	2		33	964 564 035 00	gear support		1	
13	911 564 297 00	grommet	/H	2		34	N 010 225 4	hexagon-head bolt M 5 X 8		2	
13A	999 703 348 40	rubber sleeve	/V	4		35	900 025 003 02	washer A 5,3		10	
14	911 564 465 00	beading		1		37	901 564 661 05	screw		2	
15	911 564 409 00	sealing strip		1		38	900 269 012 02	countersunk-head screw M 4 X 25		2	
17	911 564 191 00	velvet strip		1		40	901 564 085 05	crank		1	
18	900 145 093 07	oval-head sheetmetal screw BZ 3,9 X 9,5		2		41	911 564 643 00	washer		3	
(19)	964 564 341 00	guide rail	/L	1		42	901 564 299 05	clamp		7	
19	964 564 342 00	guide rail	/R	1		43	901 564 431 05	guide shoe		2	
20	911 564 047 01	intermediate piece	-96	2		44	911 564 045 00	guide		2	
20	993 564 047 00	intermediate piece	97-	2		45	911 564 451 00	tab washer		2	
21	964 564 005 01	air deflector		1		46	911 564 459 00	screw AM 5 X 12		4	
	70K	black				(46)	999 217 134 01	hexagon-head bolt M 5X16		4	
22	911 564 423 00	rubber stop		2		49	911 564 433 00	support		2	
23	911 564 127 00	hinge		2		(49)	964 564 435 00	support		1	
24	964 564 125 00	spring	/L	1		50	911 564 193 00	velvet strip small		1	
(24)	964 564 126 00	spring	/R	1		51	901 564 905 05	sealing rubber rear		1	
25	911 564 123 00	clip		2		(52)	964 556 025 00	cover	/L	1	
25A	911 564 301 00	spacer ring		2		(53)	911 556 026 00	cover	/R	1	
26	900 270 060 07	countersunk-head screw M 4 X 10		4		54	999 703 013 50	plug		2	
27	911 624 016 03	motor		1		56	911 564 425 00	threaded plate		2	
28	911 564 601 01	transmission		1		57	911 564 165 00	terminal piece		2	
28A	928 564 125 02	drive pinion		1		58	900 025 053 07	washer A 5,3		2	
29	911 624 103 00	clutch		1							
30	911 624 007 01	engine support		1							
31	N 011 005 14	hexagon nut M 5		2							

Model	Year	MG	SG	Illustration	Restrictions	Update	10:08	25.08.2006	PORSCHE	PET	PORSCHE
993	98	8	11	811-00		203					

Pos	Part Number	Name	Remarks	Qty	Model	Pos	Part Number	Name	Remarks	Qty	Model
59	900 146 106 07	oval-head screw M 5 X 12		2							
60	911 564 521 00	protection cap		2							
61	964 564 241 00	slide		2							
62	999 591 941 40	expansion rivet \$=6 POM SW		10							
63	900 145 079 07	tapping screw B 4,8 X 19		4							
64	999 507 041 09	speed nut B 4,8		4							
65	999 704 605 07	cone washer 5,3		4							
		- - - E N D - - -									

Model	Year	MG	SG	Illustration	Restrictions	Update	10:08	25.08.2006	PORSCHE	PET	PORSCHE
993	98	8	11	811-01		203					

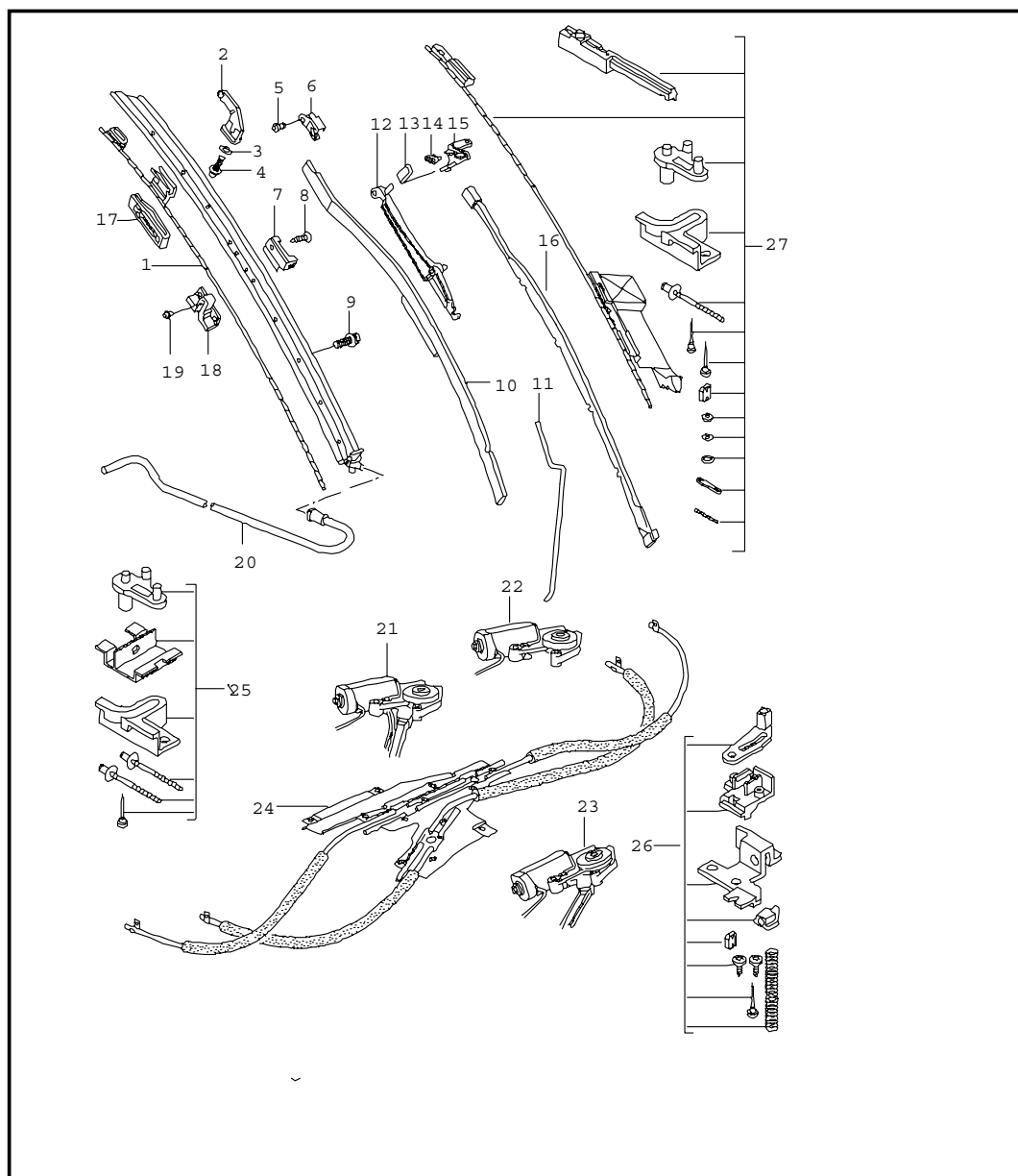


Pos	Part Number	Name	Remarks	Qty	Model
		glass roof			TARGA
1	993 562 303 00	gasket		1	
2	999 507 560 01	clamping washer		2	
3	993 562 905 00	shade		1	
4	993 562 587 00	plain bearing		4	
5	993 562 561 00	guide	/L	1	
(5)	993 562 562 00	guide	/R	1	
6	993 562 569 00	pan-head screw M 5X12		4	
7	993 562 563 00	sliding piece		4	
8	993 562 725 00	guide	/L	2	
(8)	993 562 726 00	guide	/R	2	
9	993 562 569 00	pan-head screw M 5X12		4	
10	993 562 904 00	air deflector	/L	1	
11	993 562 577 01	pan-head screw M 5X12	/R	2	
12	993 562 531 00	gasket		1	
13	993 562 573 01	mounting for shaft	/L	1	
(13)	993 562 574 01	mounting for shaft	/R	1	
14	993 562 575 00	pan-head screw M 6X12		2	
15	993 562 903 00	sunroof		1	
16	993 562 579 00	axle plate	/L	1	
(16)	993 562 580 00	axle plate	/R	1	
17	993 562 579 01	axle plate		2	
18	993 562 577 01	torx screw		4	
19	993 562 529 00	sealing strip		1	
20	993 562 531 00	gasket		1	
21	993 562 901 01	rear window		1	
(21)	993 562 901 00	rear window		1	M 425

Model	Year	MG	SG	Illustration	Restrictions	Update	10:08	25.08.2006	PORSCHE	PET	PORSCHE
993	98	8	11	811-01		203					

Pos	Part Number	Name	Remarks	Qty	Model	Pos	Part Number	Name	Remarks	Qty	Model
22	993 562 517 01	retaining strip	-96	1							
(22)	993 562 517 01	retaining strip	97-	1							
23	993 562 519 02	gasket		1							
24	993 562 527 00	gasket		2							
25	993 562 513 00	cover strip	/L	1							
(25)	993 562 514 00	cover strip	/R	1							
26	993 562 565 00	torx screw		1							
27	993 562 543 00	gasket	/L	1							
(27)	993 562 544 00	gasket	/R	1							
28	993 562 511 00	rear glass	/L	1							
(28)	993 562 512 01	rear glass	/R	1							
29	993 562 515 00	moulding	/L	1							
(29)	993 562 516 00	moulding	/R	1							
30	993 562 523 02	retaining strip		1							
(30)	993 562 524 02	retaining strip		1							
31	993 562 911 00	gasket		1							
--	993 562 843 00	clip		6							
--	000 043 173 00	sealing compound 320 ML		1							
--	993 562 741 00	lens-head screw M 6X10		4							
--	993 555 401 00	cover plate shade		1							
--	993 562 591 00	water drain hose		X							
--	993 562 567 00	torx screw M 5X9,5		X							
		- - - E N D - - -									

Model	Year	MG	SG	Illustration	Restrictions	Update	10:08	25.08.2006	PORSCHE	PET	PORSCHE
993	98	8	11	811-02		203					

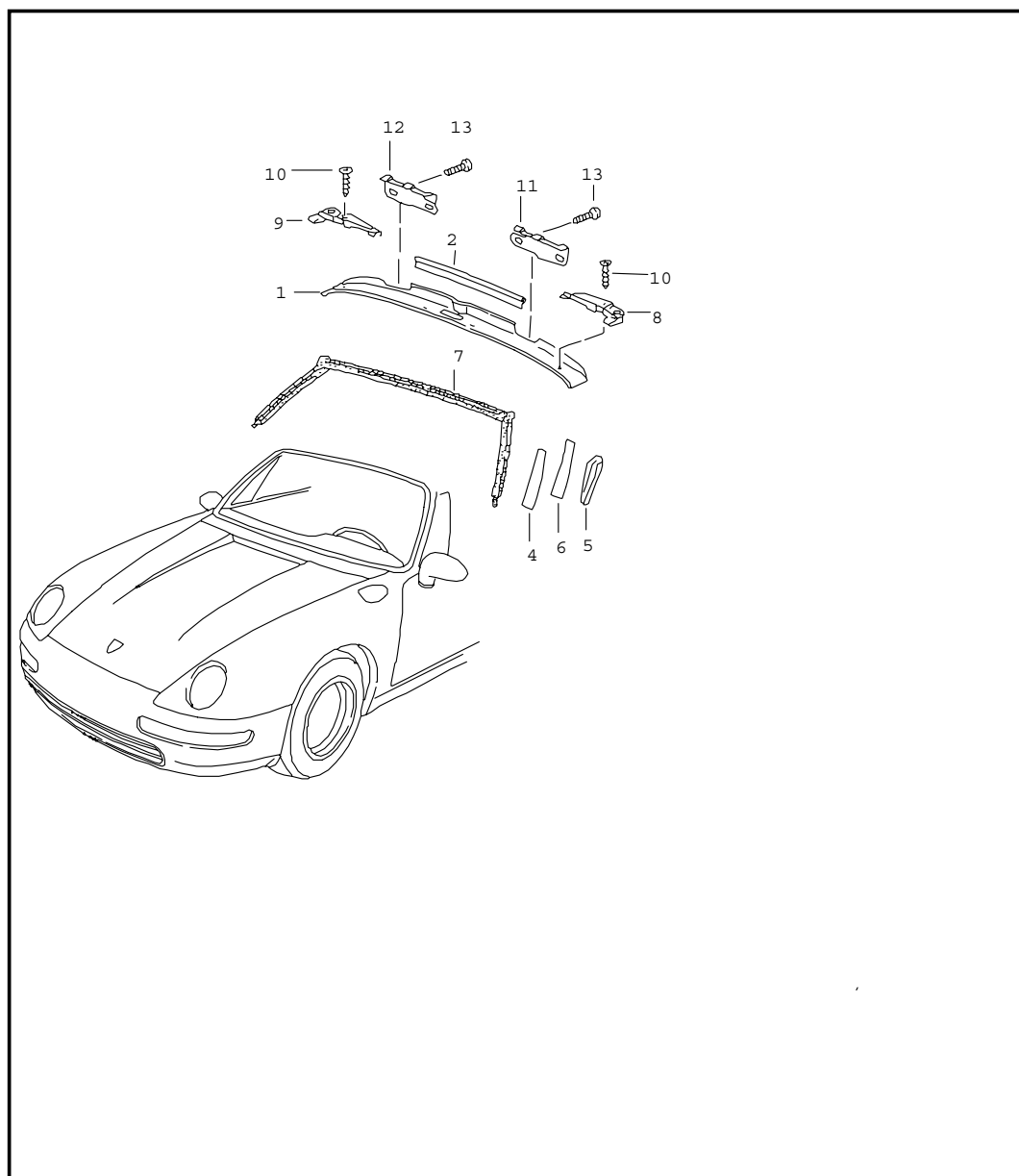


Pos	Part Number	Name	Remarks	Qty	Model
		driving mechanism glass roof			TARGA
1	993 562 593 00	drive shaft shade	/L	1	
(1)	993 562 594 00	drive shaft shade	/R	1	
2	993 562 535 00	bearing bracket	/L	1	
(2)	993 562 536 00	bearing bracket	/R	1	
3	993 562 537 00	o-ring		4	
4	993 562 577 01	torx screw		4	
5	993 562 547 00	friction ring		1	
6	993 562 545 00	bearing bracket	/L	1	
(6)	993 562 546 00	bearing bracket	/R	1	
7	993 562 585 00	support	/L	1	
(7)	993 562 586 00	support	/R	1	
8	993 562 711 00	fit bolt		2	
9	993 562 549 00	screw		X	
10	993 562 541 00	rail	/L	1	
(10)	993 562 542 00	rail	/R	1	
11	993 562 557 00	spring		2	
12	993 562 551 00	knock-out lever	/L	1	
(12)	993 562 552 00	knock-out lever	/R	1	
13	993 562 555 00	slide		2	
14	993 562 587 00	slide		2	
15	993 562 553 00	supporting bow	/L	1	
(15)	993 562 554 00	supporting bow	/R	1	
16	993 562 559 00	guide	/L	1	
16	993 562 560 00	guide	/R	1	
17	993 562 713 00	guide front	/L	1	
(17)	993 562 714 00	guide front	/R	1	

Model	Year	MG	SG	Illustration	Restrictions	Update	10:08	25.08.2006	PORSCHE	PET	PORSCHE
993	98	8	11	811-02		203					

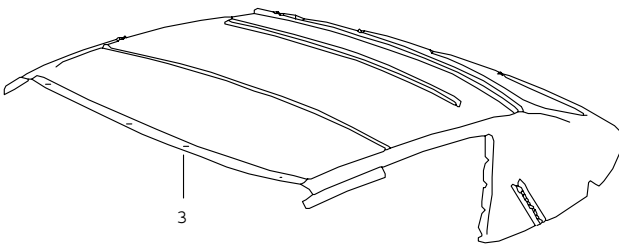
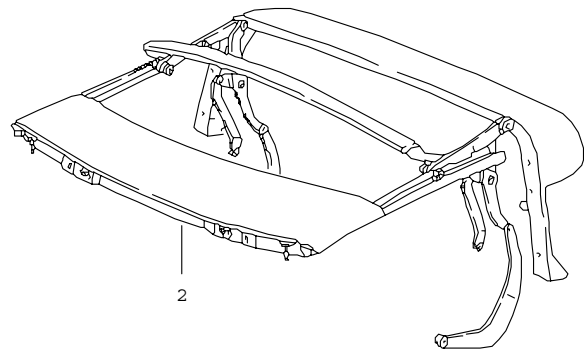
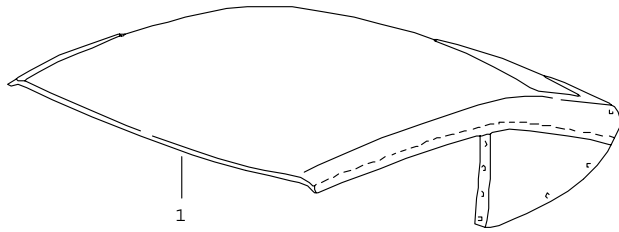
Pos	Part Number	Name	Remarks	Qty	Model	Pos	Part Number	Name	Remarks	Qty	Model
18	993 562 715 00	guide rear	/L	1							
(18)	993 562 716 00	guide rear	/R	1							
19	993 562 810 00	buffer		2							
20	993 562 753 00	water drain hose	/L	1							
20	993 562 754 00	water drain hose	/R	1							
21	993 624 121 00	driving mechanism shade	/R	1							
22	993 624 122 00	driving mechanism glass roof		1							
23	993 624 123 00	driving mechanism glass roof		1							
24	000 043 204 36	plate driving mechanism		1							
25	993 562 913 00	knock-out lever rear	/L	1							
(25)	993 562 914 00	knock-out lever rear	/R	1							
26	993 562 909 00	repair kit	/L	1							
(26)	993 562 910 00	repair kit	/R	1							
27	993 562 907 00	repair kit		1							
		- - - E N D - - -									

Model	Year	MG	SG	Illustration	Restrictions	Update	10:10	25.08.2006	PORSCHE	PET	PORSCHE
993	98	8	11	811-05		203					



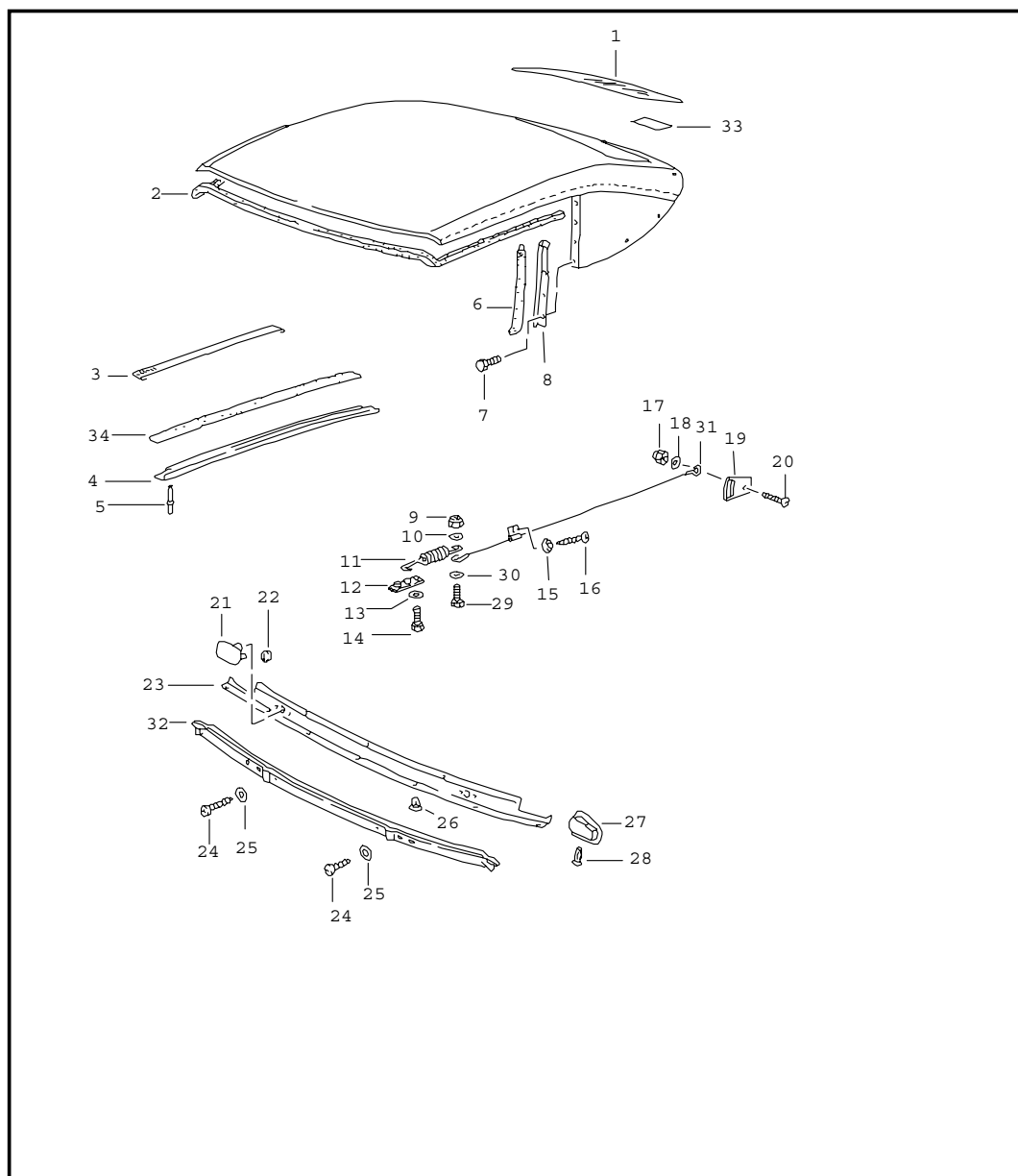
Pos	Part Number	Name	Remarks	Qty	Model
		windscreen frame accessories			CABRIO
1	993 555 059 00	lining		1	
	702	black			
2	911 561 499 00	pipings		1	
	70B	black			
4	964 555 563 00	desk pad 5 X 35 X 400	/L	1	
5	911 555 419 00	filler piece	/L	1	
(5)	911 555 420 00	filler piece	/R	1	
6	964 555 507 40	cover	/L	1	
	702	black			
(6)	964 555 508 40	cover	/R	1	
	702	black			
7	993 504 095 01	gasket see group 8/04/05		1	
(8)	911 555 519 60	guide rose	/L	1	
	70B	black			
(9)	911 555 520 60	guide rose	/R	1	
	70B	black			
10	900 143 084 07	oval-head sheetmetal screw B 3,5 X 16		4	
(11)	911 561 739 03	guide	/L	1	
	03C	black			
(12)	911 561 740 03	guide	/R	1	
	03C	black			
13	999 119 013 07	pan-head screw M 6 X 12		4	
		- - - E N D - - -			

Model	Year	MG	SG	Illustration	Restrictions	Update	10:11	25.08.2006	PORSCHE	PET	PORSCHE
993	98	8	11	811-10		203					



Pos	Part Number	Name	Remarks	Qty	Model
		convertible top covering convertible top frame roof lining			
1	993 561 900 00	convertible top covering without rear window with clamp		1	
	2XW	black			
	7JW	blue/black			
	8PZ	chestnut brown			
	5XF	classic grey			
	B39	florentine grey			
2	993 561 011 00	convertible top frame		1	
	70C	black			
3	993 561 049 00	roof lining		1	
	DEY	black			
--	999 591 587 40	expansion rivet		4	
		- - - E N D - - -			

Model	Year	MG	SG	Illustration	Restrictions	Update	10:11	25.08.2006	PORSCHE	PET	PORSCHE
993	98	8	11	811-15		203					

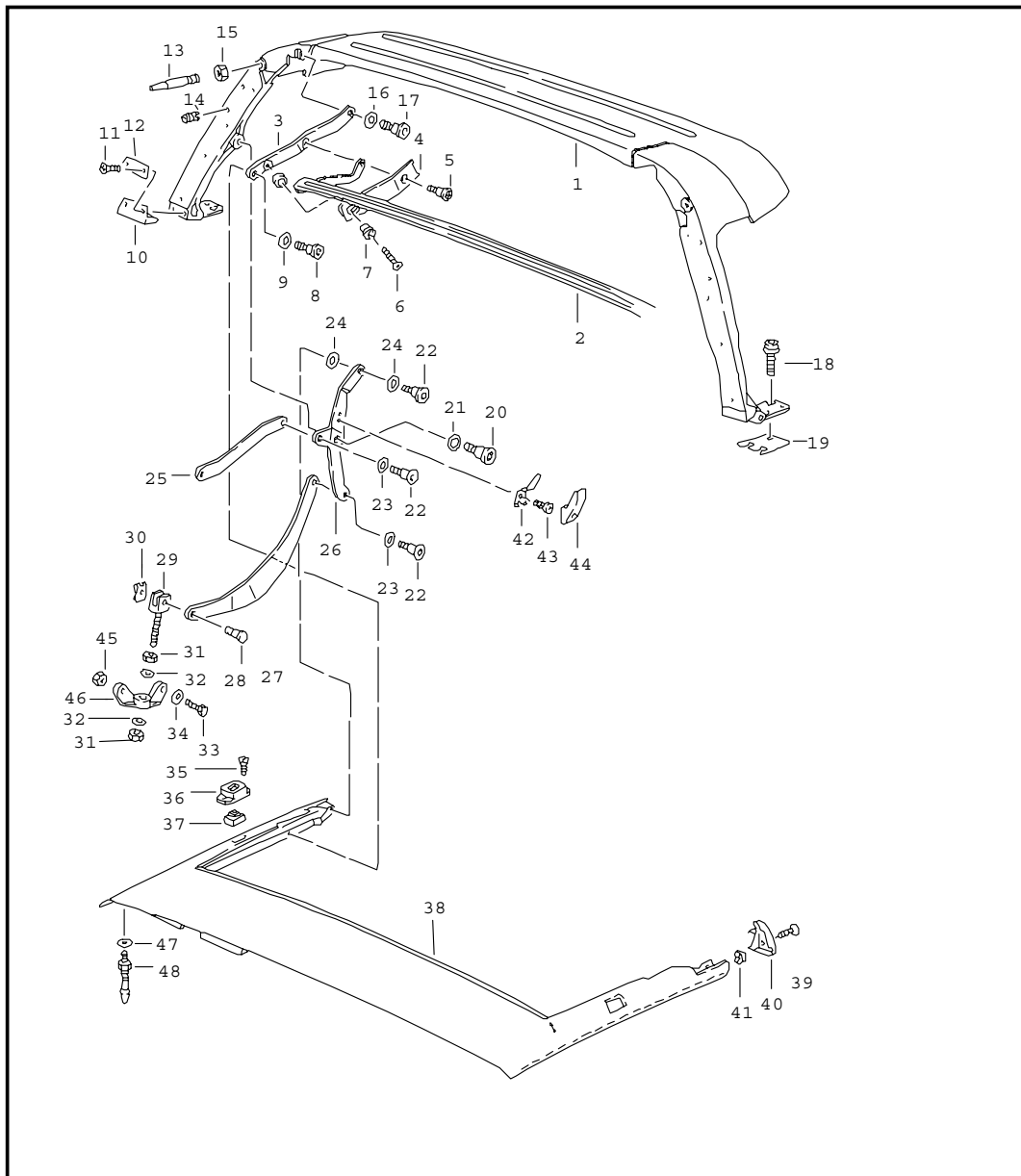


Pos	Part Number	Name	Remarks	Qty	Model
		rear window seal single parts			CABRIO
1	993 561 059 00	rear window		1	
2	993 561 189 00	roof frame seal		1	
3	A 993 561 335 01	restraining strap		2	
	70A	black			
3	993 561 335 02	restraining strap		2	
4	993 561 301 00	rain channel	/L	1	
	70K	black			
(4)	993 561 302 00	rain channel	/R	1	
	70K	black			
5	999 190 162 37	blind rivet B 3,2X12,6		12	
6	993 561 321 00	gasket	/L	1	
	8VB	black			
6	993 561 322 00	gasket	/R	1	
	8VB	black			
7	999 146 005 02	round head screw		8	
8	993 561 325 00	rail	/L	1	
	70B	black			
8	993 561 326 00	rail	/R	1	
	70B	black			
9	900 910 006 02	lock nut		4	
10	900 025 002 02	washer		4	
11	911 561 403 01	tension spring		2	
12	911 561 407 00	support		2	
13	N 011 524 7	washer A 6,4		2	
14	N 010 211 4	hexagon-head bolt M 6X12		2 1	

Model	Year	MG	SG	Illustration	Restrictions	Update	10:11	25.08.2006	PORSCHE	PET	PORSCHE
993	98	8	11	811-15		203					

Pos	Part Number	Name	Remarks	Qty	Model	Pos	Part Number	Name	Remarks	Qty	Model
15	999 591 102 17	washer		1		31	993 561 240 00	tension rope	/R	1	
16	900 144 028 07	tapping screw B 3,5X13		2		32	993 561 295 00	cover		1	
17	900 910 006 02	lock nut M 4		2			70B	black			
18	900 025 002 02	washer A 4,3		2		33	993 561 445 00	insulating piece		1	
19	993 561 411 02	trim	/L	1		34	000 043 203 29	sealing strap		2	
	01C	black				--	993 561 503 00	foam part	/L	1	
(19)	993 561 412 02	trim	/R	1		--	993 561 504 00	foam part	/R	1	
	01C	black						- - - E N D - - -			
20	900 269 066 07	countersunk-head screw M 4 X 12		8							
21	911 561 781 65	rose for emergency control		2							
22	999 591 676 02	clamping washer \$ 7,0		4							
23	993 561 197 00	padded cover		1							
	700	black									
24	900 143 124 07	tapping screw BZ 3,5X13		2							
25	900 025 013 07	washer A 3,7		2							
26	999 507 380 40	clip 8,0 X 0,88		8							
27	911 565 271 65	handle	/L	1							
	70B	black									
27	911 565 272 65	handle	/R	1							
	70B	black									
28	999 591 587 40	expansion rivet		2							
29	900 075 100 02	hexagon-head bolt M 4X 12		2							
30	900 025 002 02	washer A 4,3		4							
31	993 561 239 00	tension rope	/L	1							

Model	Year	MG	SG	Illustration	Restrictions	Update	10:11	25.08.2006	PORSCHE	PET	PORSCHE
993	98	8	11	811-20		203					

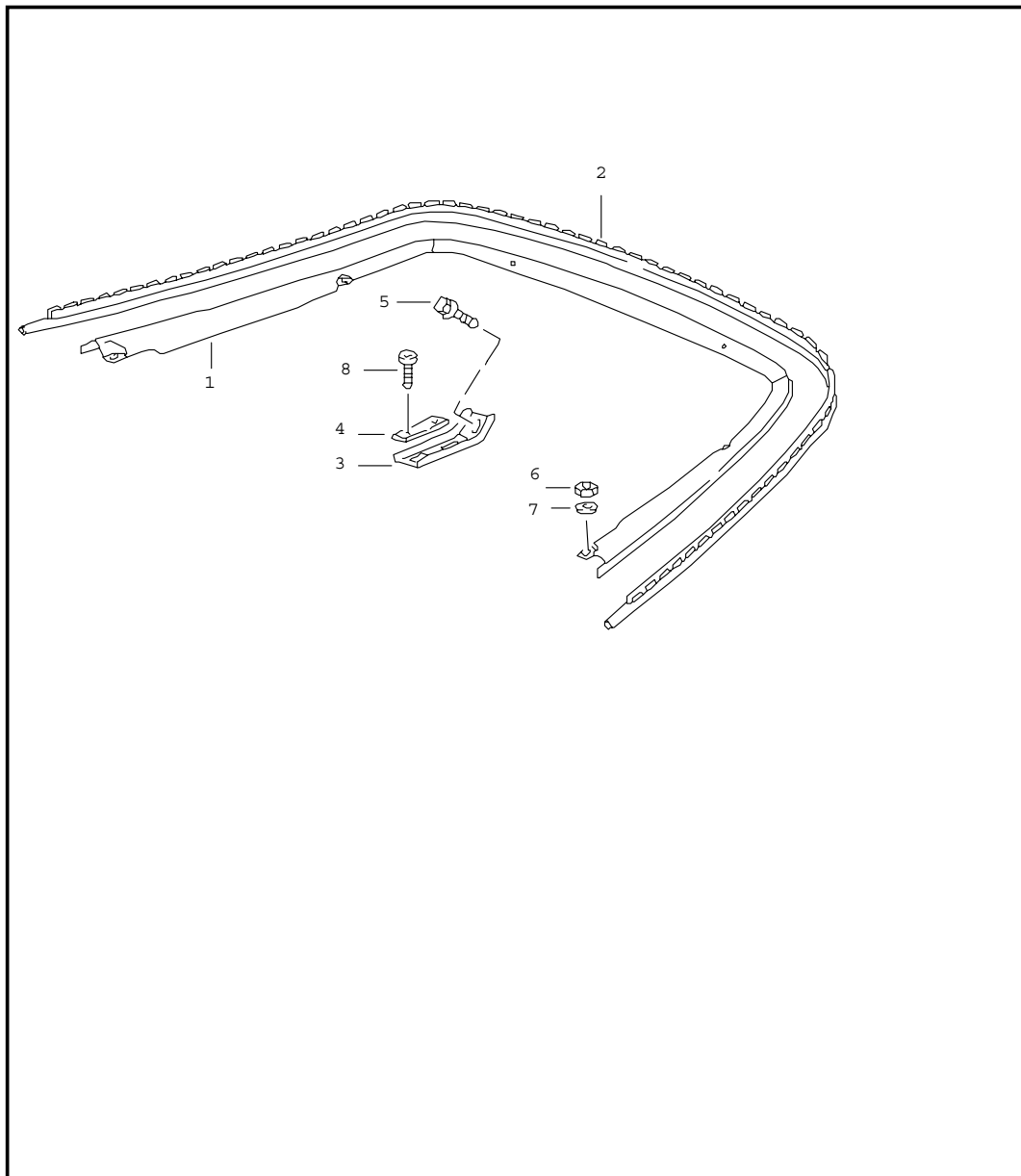


Pos	Part Number	Name	Remarks	Qty	Model
		convertible top frame single parts			CABRIO
1	993 561 015 02	main folding top bow		1	
	70B	black			
--	993 561 565 00	holder restraining strap		2	
--	900 269 052 07	countersunk-head screw M 4X10		4	
2	993 561 029 00	intermed. folding top bow		1	
	70B	black			
3	911 561 179 00	lever	/L	1	
	70B	black			
(3)	911 561 180 00	lever	/R	1	
	70B	black			
4	993 561 431 00	protection cover	/L	1	
	01C	black			
(4)	993 561 432 00	protection cover	/R	1	
	01C	black			
5	911 561 426 00	screw M 5 X 12		10	
6	900 269 103 07	countersunk-head screw M 4 X 22		2	
7	993 561 402 00	eccentric washer		2	
8	911 561 461 00	screw		2	
8	911 561 461 00	screw		2	
9	911 561 428 00	washer		2	
10	993 561 471 00	gasket	/L	2	
(10)	993 561 472 00	gasket	/R	2	
11	900 269 056 07	countersunk-head screw M 4 X 10		4	
12	911 561 475 00	plate		2	
13	911 561 449 65	retaining pivot		2	

Model	Year	MG	SG	Illustration	Restrictions	Update	10:11	25.08.2006	PORSCHE	PET	PORSCHE
993	98	8	11	811-20		203					

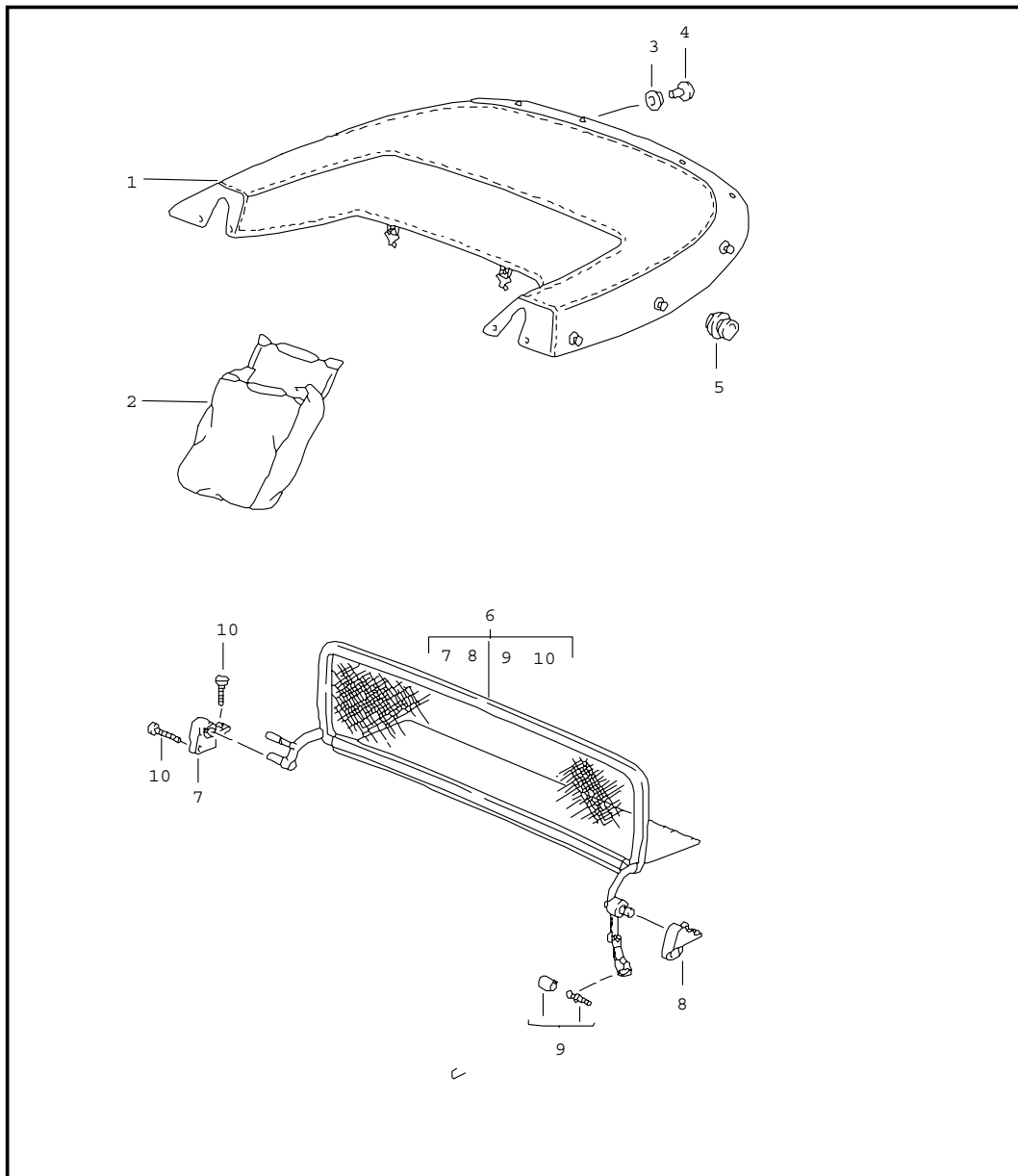
Pos	Part Number	Name	Remarks	Qty	Model	Pos	Part Number	Name	Remarks	Qty	Model
14	999 504 069 02	threaded insert		4		30	999 166 034 02	s1-lock		2	
15	900 076 062 07	hexagon nut M 8		2		31	N 011 010 13	hexagon nut M 10		4	
16	911 561 428 00	washer		2		32	900 025 008 09	washer A 10,5		2	
17	911 561 461 00	screw		2		33	900 075 078 02	hexagon-head bolt M 5 X 15		4	
18	900 067 271 09	screw M 8 X 20		6		34	900 223 001 02	washer A 8,4		4	
19	911 561 423 00	plate 2 MM		X		35	900 269 052 07	countersunk-head screw M 4 X 10		4	
19	911 561 423 01	plate 1 MM		X		36	911 561 451 00	housing		2	
20	911 561 420 00	screw		2			70B	black			
21	911 561 430 00	washer		2		37	911 561 453 00	buffer		2	
22	911 561 461 00	screw M 8 X 20		2		38	993 561 027 00	roof frame		1	
23	911 561 428 00	washer 10,5		10			70B	black			
24	993 561 827 00	washer		4		39	N 014 086 12	tapping screw 3,5 X 13		2	
25	993 561 069 00	lever	/L	1		40	911 561 139 65	end piece	/L	1	
		70B black				(40)	911 561 140 65	end piece	/R	1	
(25)	993 561 070 00	lever	/R	1		41	999 591 762 40	special nut B 3,5		2	
		70B black				42	901 552 872 20	coat hook		2	
26	993 561 069 00	lever	/L	1		43	900 250 006 02	tapping screw		2	
		70B black				44	901 552 871 40	cover		2	
(26)	993 561 070 00	lever	/R	1		45	900 910 003 02	lock nut M 8		4	
		70B black				46	964 561 431 00	bearing bracket		2	
27	993 561 069 00	lever	/L	1		47	N 011 525 15	washer A 8,4 X 16 X 1,6		2	
		70B black				48	911 565 214 60	locating peg long		2	
(27)	993 561 070 00	lever	/R	1				- - - E N D - - -			
		70B black									
28	911 561 761 65	bolt		2							
29	911 561 595 65	joint fork		2							

Model	Year	MG	SG	Illustration	Restrictions	Update	10:12	25.08.2006	PORSCHE	PET	PORSCHE
993	98	8	11	811-25		203					



Pos	Part Number	Name	Remarks	Qty	Model
		mounting parts clamp sealing strip			CABRIO
1	A 993 561 063 00	clamp		1	
	GRV	prime coated			
1	993 561 063 00	clamp		1	
	70B	black			
2	993 561 371 00	sealing strip		1	
3	993 561 379 00	support		3	
4	911 561 387 00	desk pad		3	
	GRV	prime coated			
5	N 014 761 2	pan-head screw M 6 X 12		3	
6	900 076 010 02	hexagon nut M 6		4	
7	N 011 524 7	washer A 6,4 pan-head screw		4	
		- - - E N D - - -			

Model	Year	MG	SG	Illustration	Restrictions	Update	10:12	25.08.2006	PORSCHE	PET	PORSCHE
993	98	8	11	811-30		203					

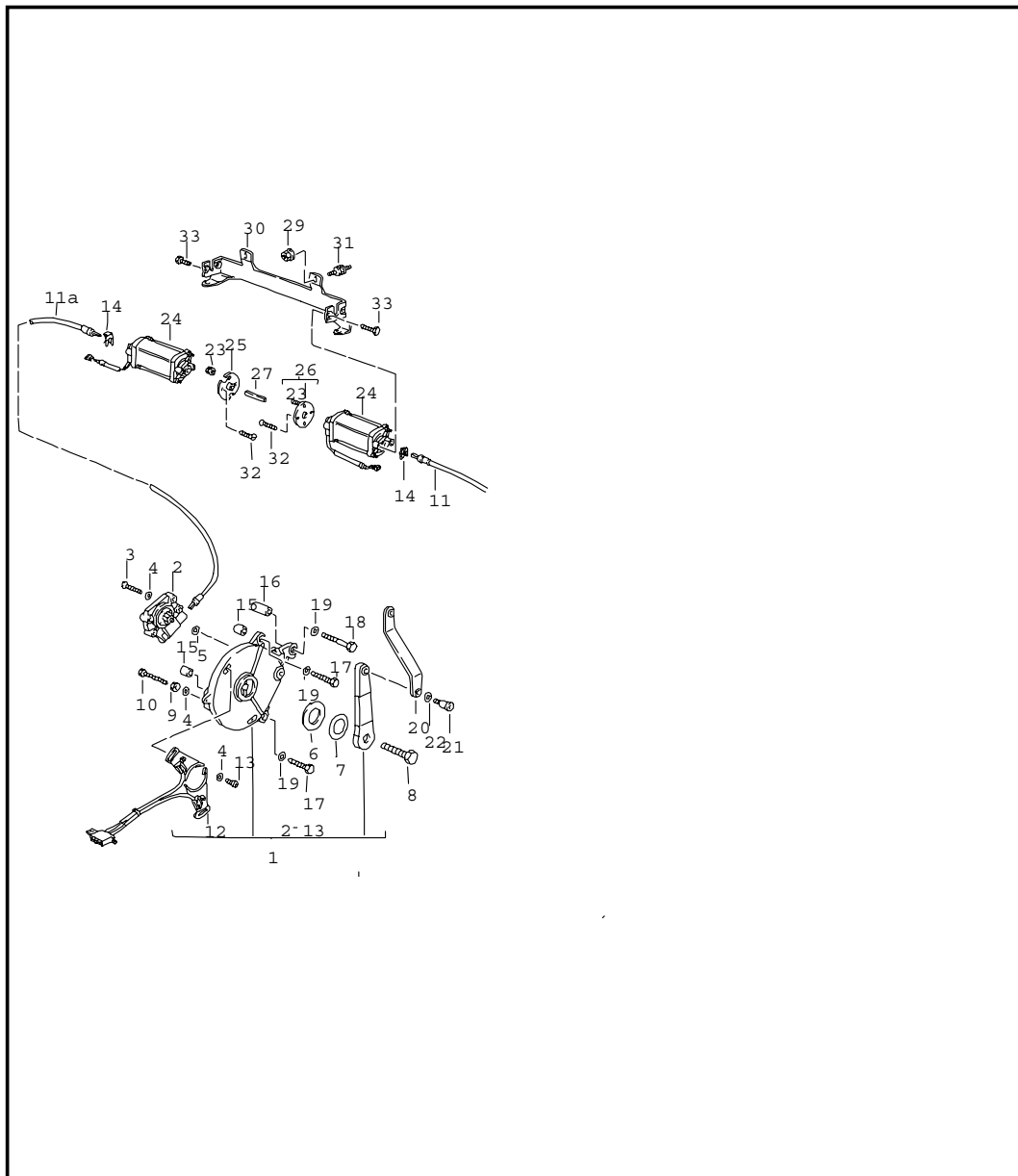


Pos	Part Number	Name	Remarks	Qty	Model
1	993 561 123 00	convertible top cover wind deflector		1	CABRIO
	2XW	black			
	7JW	blue/black			
	5XF	classic grey			
	8PZ	chestnut brown			
	B39	florentine grey			
1	993 561 123 01	convertible top cover		1	M 335
	2XW	black			
	7JW	blue/black			
	5XF	classic grey			
	8PZ	chestnut brown			
	B39	florentine grey			
2	911 561 087 00	bag		1	
3	999 507 485 00	push button lower part		X	
4	999 591 838 17	push button		X	
5	999 591 983 12	tenax upper part		X	
--	999 591 598 02	tenax lower part		X	
6	993 561 979 00	wind deflector	-95	1	
	DEZ	black			
6	993 561 979 02	wind deflector	96-	1	
	DEZ	black			
6	993 561 979 01	wind deflector	-95	1	M 335
	DEZ	black			
6	993 561 979 03	wind deflector	96-	1	M 335
	DEZ	black			
7	993 561 901 00	parts kit	/R -95	1	
7	993 561 901 00	parts kit	/R 96-	1	

Model	Year	MG	SG	Illustration	Restrictions	Update	10:12	25.08.2006	PORSCHE	PET	PORSCHE
993	98	8	11	811-30		203					

Pos	Part Number	Name	Remarks	Qty	Model	Pos	Part Number	Name	Remarks	Qty	Model
8	993 561 715 00	bearing bracket	/L	1							
9	993 561 721 00	ball head		1							
10	900 119 107 07	pan-head screw		4							
11	993 561 919 01	valve lever		1							
	70K	black									
--	999 703 410 40	plug		2							
		- - - E N D - - -									

Model	Year	MG	SG	Illustration	Restrictions	Update	10:12	25.08.2006	PORSCHE	PET	PORSCHE
993	98	8	11	811-35		203					

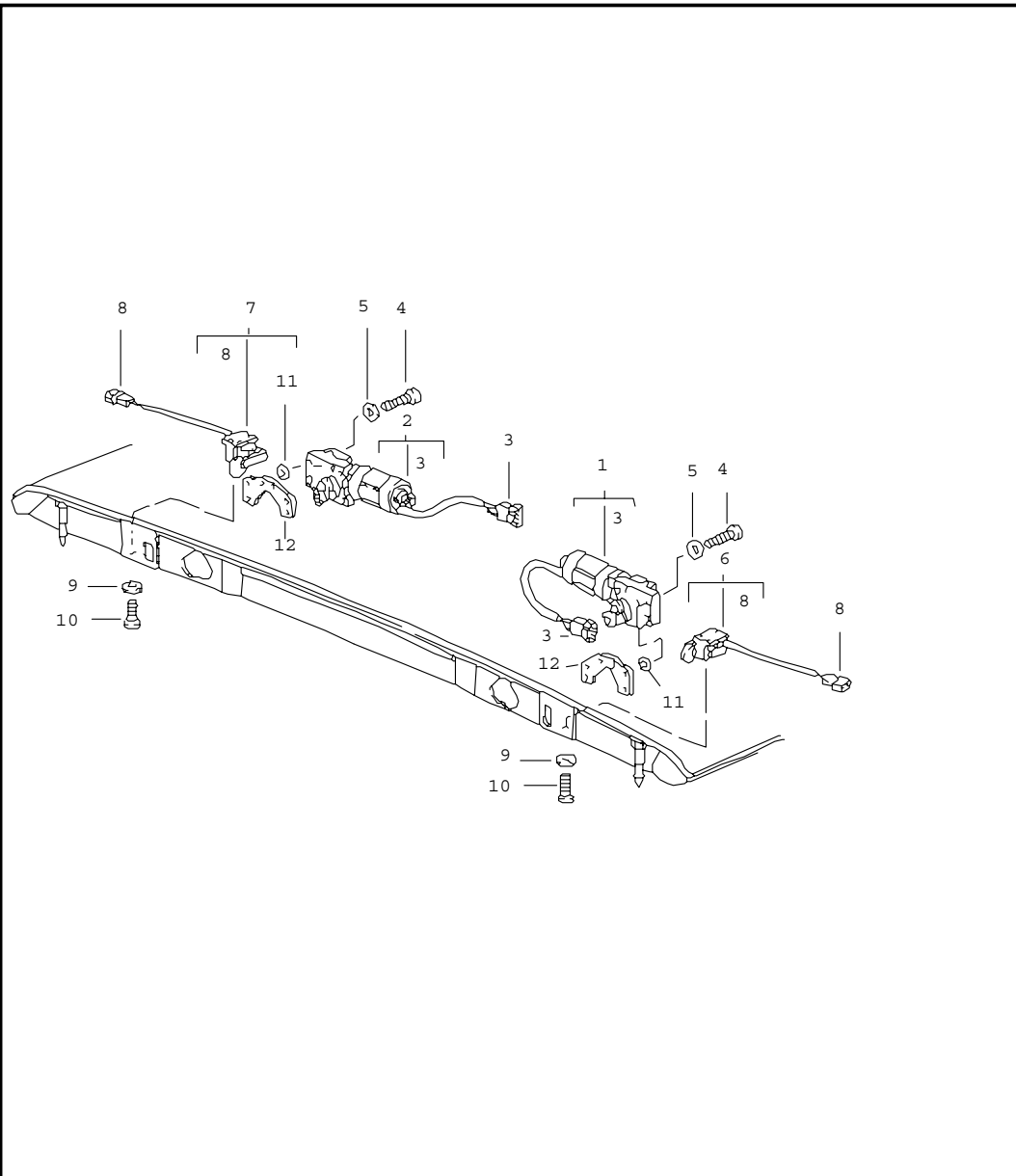


Pos	Part Number	Name	Remarks	Qty	Model
		convertible top driving mechanism			CABRIO
1	993 561 045 00	transmission	/L -95	1	
	70B	black			
1	993 561 046 00	transmission	/R -95	1	
	70B	black			
1	993 561 045 03	transmission	/L 96-	1	
	70B	black			
1	993 561 046 03	transmission	/R 96-	1	
	70B	black			
(2)	993 561 103 00	planetary transmission	/L -96	1	
(2)	993 561 103 02	planetary transmission	/L 97-	1	
2	993 561 104 00	planetary transmission	/R -96	1	
2	993 561 104 02	planetary transmission	/R 97-	1	
3	900 146 025 02	screw M 4 X 18		4	
4	900 025 002 02	washer A 4,3		6	
5	900 234 003 02	shim 8 X 14 X 1,0		2	
6	999 025 254 10	washer 30 X 50 X 1,5		2	
7	900 234 143 02	shim 30 X 42 X 0,1		X	
8	999 217 095 02	hexagon-head bolt micro-self-locking M 12 X 30		2	
9	N 011 004 6	hexagon nut M 4		2	
10	N 040 257 1	hexagon-head bolt M 4 X 22		2	
11	993 561 921 03	shaft F>>99ZTS 330681	/L -95	1	

Model	Year	MG	SG	Illustration	Restrictions	Update	10:12	25.08.2006	PORSCHE	PET	PORSCHE
993	98	8	11	811-35		203					

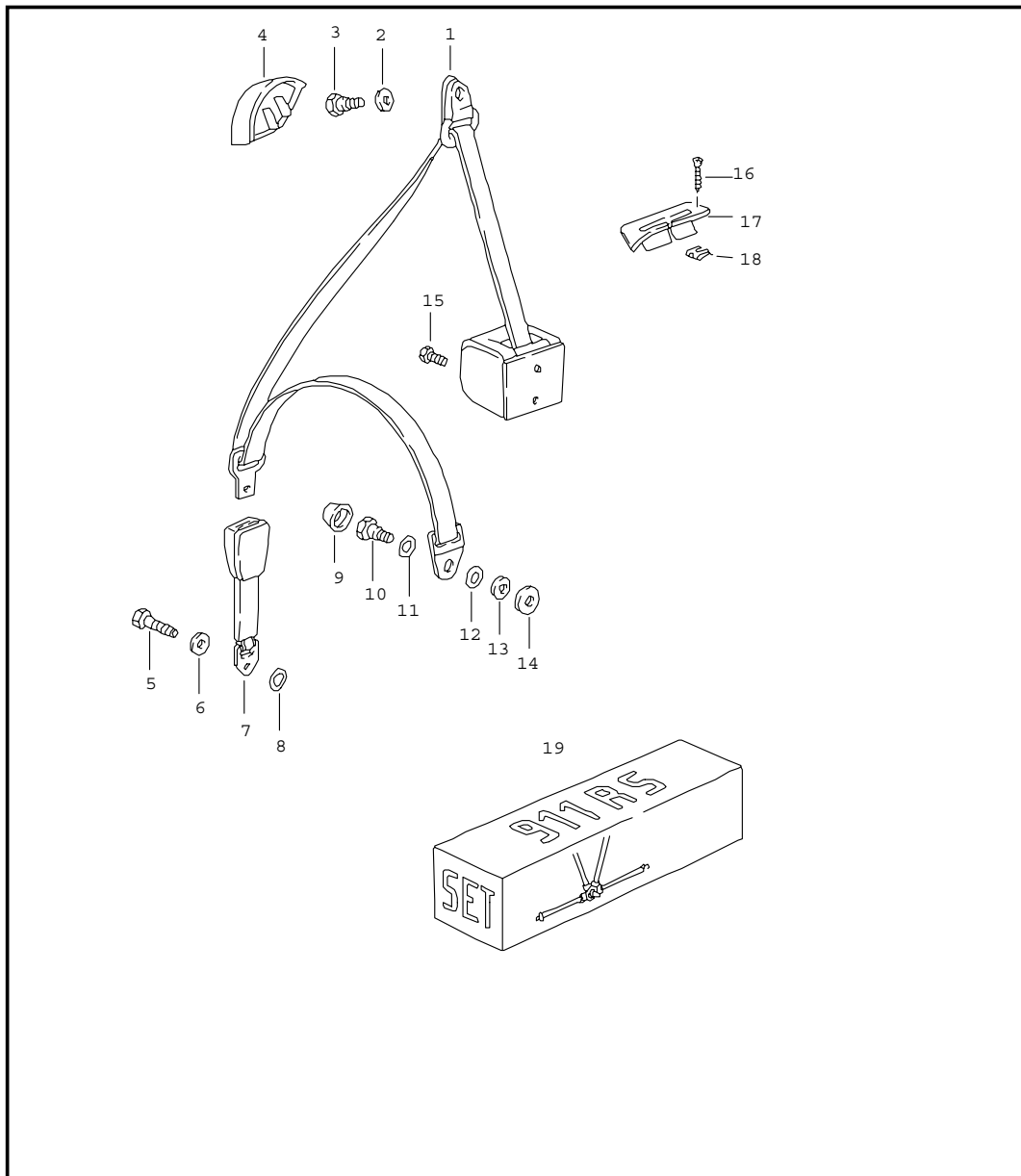
Pos	Part Number	Name	Remarks	Qty	Model	Pos	Part Number	Name	Remarks	Qty	Model
(11)	993 561 921 02	shaft with pinion F99ZTS330682>>	/L 96-	1		22	911 561 428 00	washer 10,5		2	
11A	993 561 922 03	shaft F>>99ZTS 330681	/R -95	1		23	999 084 078 02	hexagon nut M 5		2	
(11A)	993 561 922 02	shaft with pinion F99ZTS330682>>	/R 96-	1 1		24	911 624 117 00	electric motor F>>99ZTS 330681	-95	2	
12	911 613 037 00	microswitch with plate		1		24	993 624 117 00	electric motor F99ZTS330682>>	96-	1	
13	N 014 122 8	oval-head screw M 4 X 8		2		25	911 624 269 01	washer \$=50		1	
14	911 561 643 65	spring clamp		2		26	911 624 171 01	washer		1	
15	W 911 561 746 65	spacer sleeve		4		27	911 624 273 00	connecting piece		1	
15	999 209 038 30	spacer sleeve 8,0 X 6,0 X 15		4		28	900 025 003 02	washer A 5,3		4	
16	W 911 561 745 65	spacer sleeve		2		29	900 377 009 02	hexagon nut M 5		4	
16	999 209 039 30	spacer sleeve 8,0 X 6,0 X 30		2		30	964 624 185 65	support F>>99ZTS 330681	-95	1	
17	W N 010 347 5	hexagon-head bolt		4		(30)	993 624 185 00	support F99ZTS330682>>	/L 96-	1	
17	900 378 067 02	hexagon-head bolt M 6 X 35		4		(30)	993 624 186 00	support F99ZTS330682>>	/R 96-	1	
18	W N 040 303 1	hexagon-head bolt		2		31	999 703 308 00	bonded rubber mounting 15 X 8 / M5		4	
18	900 378 032 02	hexagon-head bolt M 6 X 50		2		32	999 919 045 02	locking screw M 5 X 16		4	
19	W N 015 404 1	washer A 6,4		6		33	999 919 046 02	locking screw M 5 X 16		4	
19	900 223 001 02	washer 8,4		6				- - - E N D - - -			
20	911 561 169 65	push rod	/L	1							
	70B	black									
(20)	911 561 170 65	push rod	/R	1							
	70B	black									
21	911 561 418 00	screw M 8 X 20		2							

Model	Year	MG	SG	Illustration	Restrictions	Update	10:12	25.08.2006	PORSCHE	PET	PORSCHE
993	98	8	11	811-36		203					



Pos	Part Number	Name	Remarks	Qty	Model
		convertible top catch			CABRIO
1	911 624 055 03	electric motor	/L	1	
2	911 624 056 03	electric motor	/R	1	
3	171 971 998 C	connector housing		2	
4	N 014 743 2	pan-head screw M 6 X 30		8	
5	N 011 524 7	washer A 6,4		8	
6	911 613 015 00	microswitch	/L	1	
7	911 613 016 00	microswitch	/R	1	
8	171 971 998 A	connector housing		2	
9	900 151 028 02	washer B 4,3		4	
10	900 146 011 02	oval-head screw M 4 X 10		4	
11	N 027 401 1	shim 6 X 12 X 1,0		8	
12	911 561 547 01	threaded plate		2	
		- - - E N D - - -			

Model	Year	MG	SG	Illustration	Restrictions	Update	10:13	25.08.2006	PORSCHE	PET	PORSCHE
993	98	8	12	812-00		203					

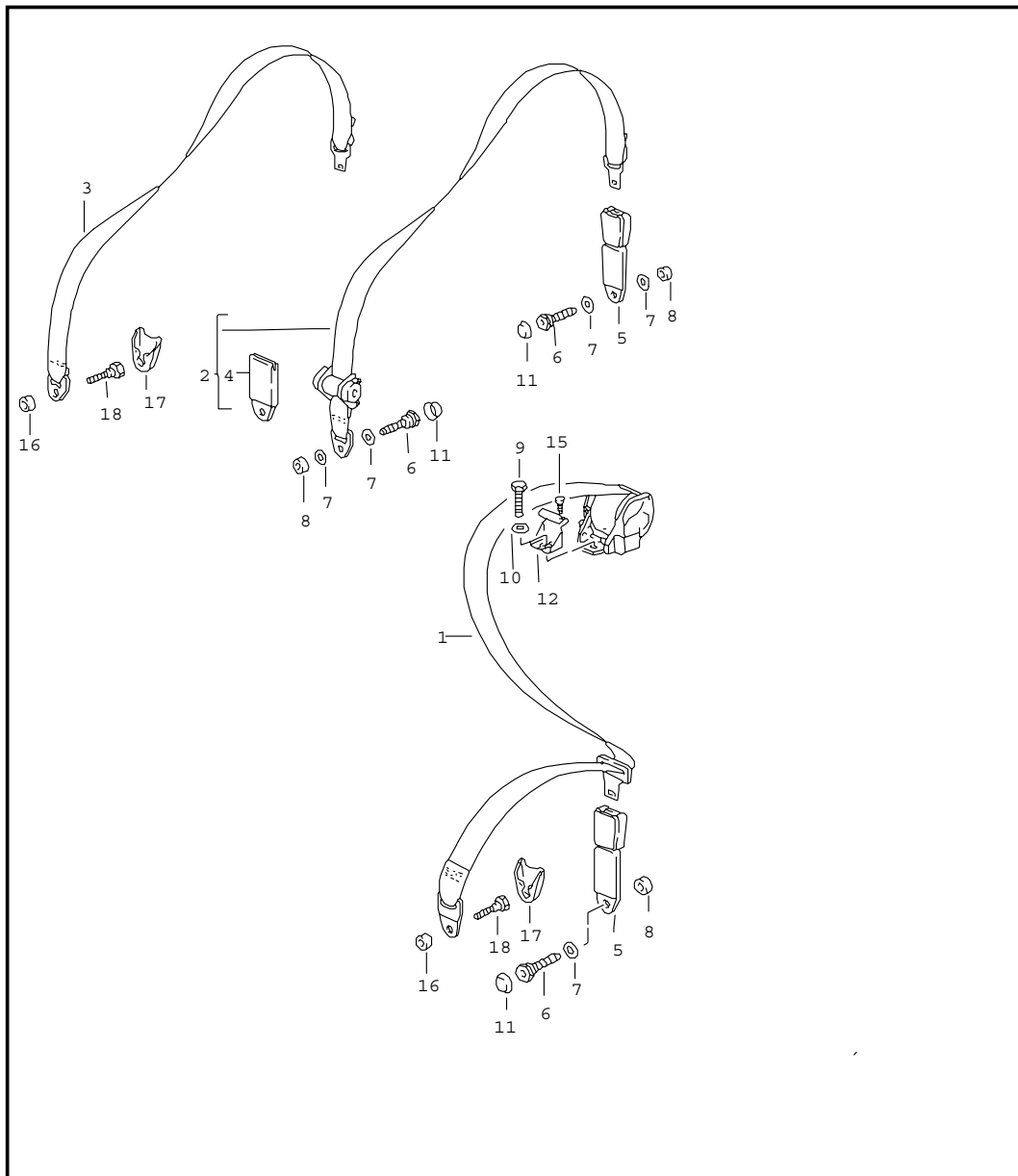


Pos	Part Number	Name	Remarks	Qty	Model
		seat belt front			
1	964 803 033 03	seat belt		2	
	70B	black			
1	964 803 033 04	seat belt		2	CARRERA RS
	N13	guards red			
	V02	speed yellow			
	H04	riviera blue			
2	999 025 113 02	washer		2	
3	111 857 793 E	fastening screw		2	
4	944 803 141 00	cover		2	
	70B	black			
5	959 803 701 00	hexagon-head bolt		2	
6	N 011 655 2	washer		2	
7	964 803 183 00	seat-belt buckle		1	
	70B	passenger's side			
(7)	964 803 183 01	seat-belt buckle		1	
	70B	black driver's side			
9	811 857 845	cap		2	
10	111 857 793 E	fastening screw		2	
11	211 857 771	washer		4	
12	211 857 771	washer		4	
13	999 924 063 02	spacer sleeve		2	
14	111 857 707 A	spacer		2	
15	911 803 150 00	fastening screw		2	
16	N 014 093 3	tapping screw		4	
17	911 803 615 00	rose	/L	1	COUPE
	01C	black			
17	911 803 616 00	rose	/R	1	COUPE

Model	Year	MG	SG	Illustration	Restrictions	Update	10:13	25.08.2006	PORSCHE	PET	PORSCHE
993	98	8	12	812-00		203					

Pos	Part Number	Name	Remarks	Qty	Model	Pos	Part Number	Name	Remarks	Qty	Model
	01C	black									
18	999 507 020 02	speed nut	89	4	COUPE						
19	993 803 035 00	seat belt red installation set	/L	1	CARRERA RS M 003						
19	993 803 036 00	seat belt red installation set	/R	1	CARRERA RS M 003						
--	993 555 327 00	cover	/L	1	CARRERA RS						
	5FV	black									
--	993 555 328 00	cover	/R	1	CARRERA RS						
	5FV	black									
		- - - E N D - - -									

Model	Year	MG	SG	Illustration	Restrictions	Update	10:13	25.08.2006	PORSCHE	PET	PORSCHE
993	98	8	12	812-05		203					

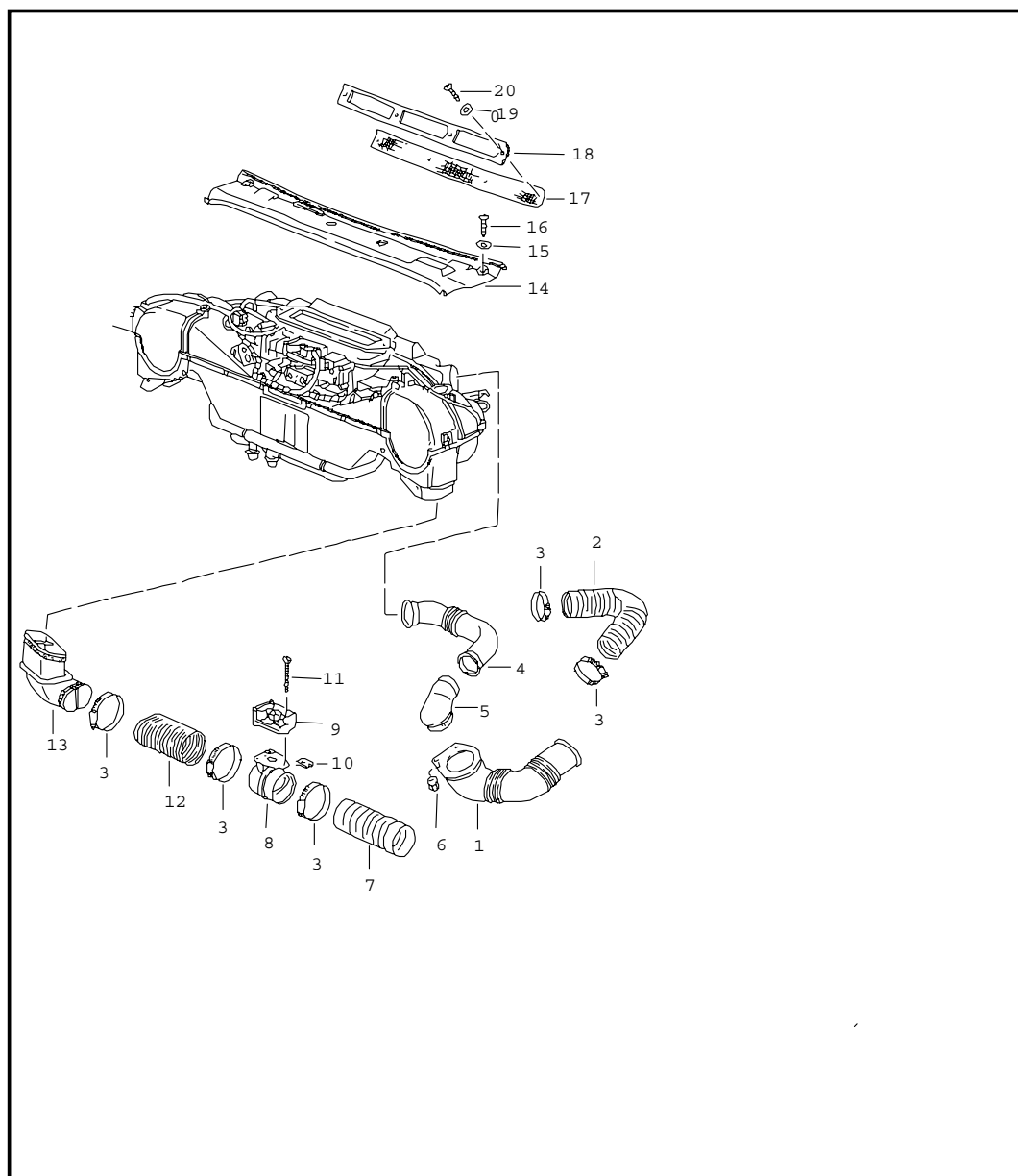


Pos	Part Number	Name	Remarks	Qty	Model
(1)	993 803 021 03	seat belt rear		2	
	70B	black automatic			
(1)	993 803 021 01	seat belt	/L	1	CABRIO M 335
	70B	black automatic			
(1)	993 803 022 01	seat belt	/R	1	CABRIO M 335
	70B	black automatic			
2	477 857 787 C	seat belt	M215	2	CABRIO M 185
	70B	black automatic			
3	964 803 015 00	seat belt		2	CABRIO M 186
	70B	black manual			
4	477 857 750 B	cap		2	CABRIO
5	477 857 739 A	seat-belt buckle		2	
6	993 803 751 00	fastening screw		2	
7	211 857 771	washer		2	
8	999 924 064 02	spacer sleeve		2	
9	111 857 799	fastening screw		2	COUPE
10	999 025 113 02	washer 11,5 X 21 X 2		2	COUPE
11	911 803 259 01	cap		2	
	70B	black			
12	911 803 479 00	relay lever		2	COUPE
13	928 803 151 02	clip upper part		2	COUPE
14	928 803 153 02	clip lower part		2	COUPE
15	477 885 699 C	plug		2	COUPE

Model	Year	MG	SG	Illustration	Restrictions	Update	10:13	25.08.2006	PORSCHE	PET	PORSCHE
993	98	8	12	812-05		203					

Pos	Part Number	Name	Remarks	Qty	Model	Pos	Part Number	Name	Remarks	Qty	Model
16	999 924 064 02	bush 12 X 18 X 14		2	COUPE CABRIO:M 186						
17	964 803 141 00	cap		2	COUPE CABRIO:M 186						
18	803 019 811 B	screw		2	COUPE CABRIO:M 186						
		- - - E N D - - -									

Model	Year	MG	SG	Illustration	Restrictions	Update	10:13	25.08.2006	PORSCHE	PET	PORSCHE
993	98	8	13	813-00		203					

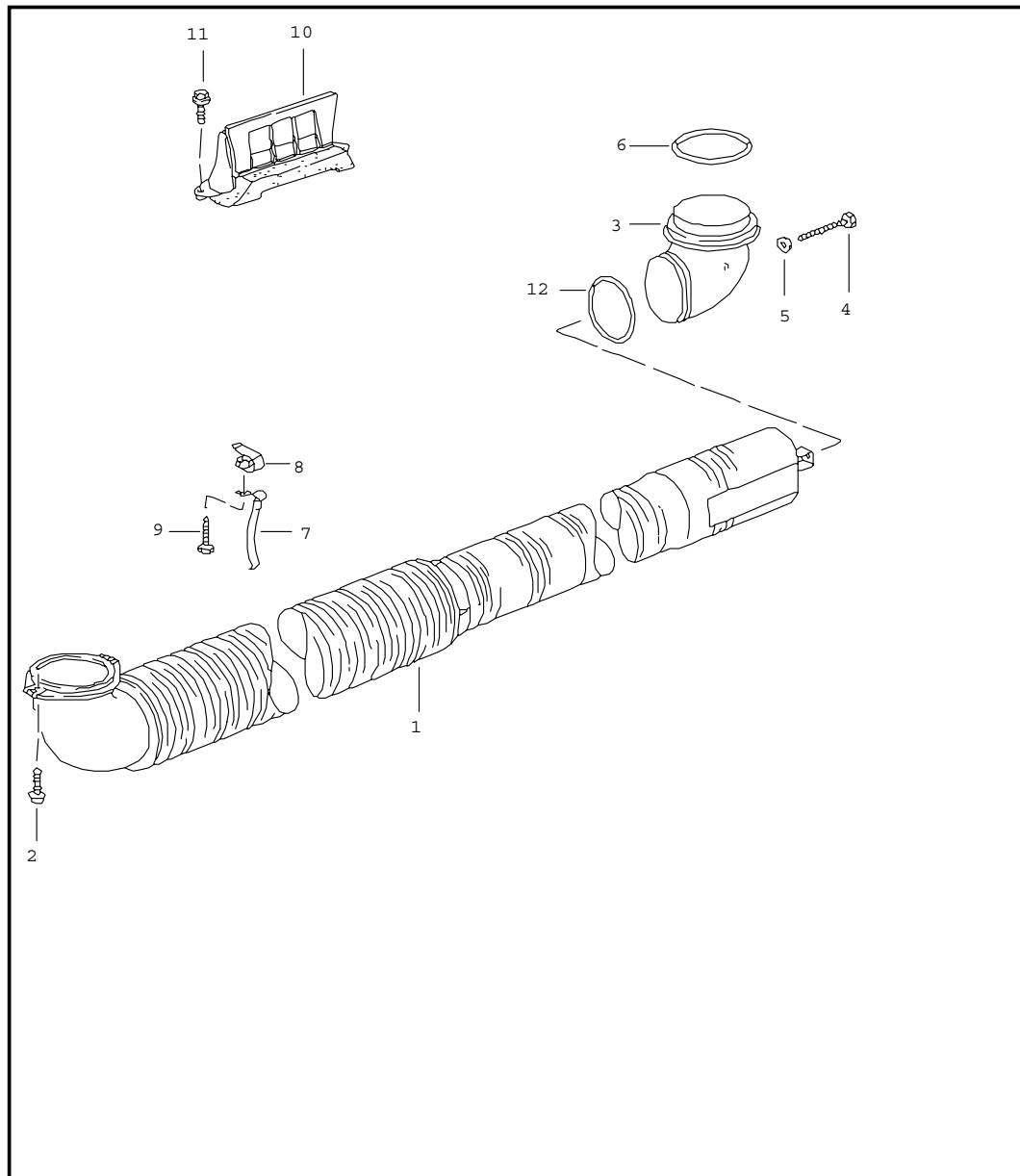


Pos	Part Number	Name	Remarks	Qty	Model
		ventilation heating system 1			
1	964 572 251 01	air duct	/L	1	
(1)	964 572 252 01	air duct side vent	/R	1	
2	964 572 045 00	connection piece	/L	1	
2	964 572 046 00	connection piece	/R	1	
3	999 512 351 02	hose clamp 70-90/9		4	
4	993 572 419 00	air duct	/LL/L	1	
(4)	964 572 430 00	air duct	/LL/R	1	
5	964 572 241 00	air duct		2	
6	999 591 839 40	plastic nut T 5		1	
7	993 572 527 00	hose	/LL/L/R	2	
(7)	993 572 527 00	hose	/RL/R	1	
(7)	993 572 527 03	hose	/RL/L	1	
8	993 572 167 00	flap control box		2	
9	993 624 325 00	electric motor		1	
10	999 591 713 02	speed nut		4	
11	900 143 131 02	tapping screw	/R	4	
12	993 572 527 01	hose	/LL/L	1	
12	993 572 527 02	hose	/RL/L	1	
12	993 572 528 01	hose	/LL/R	1	
12	993 572 528 01	hose	/RL/R	1	
13	964 572 083 00	footwell outlet vent	/L	1	
13	993 572 073 00	footwell outlet vent	/RL/L	1	
13	964 572 084 01	footwell outlet vent	/R	1	
13	993 572 083 00	footwell outlet vent	/RL/R	1	
14	993 572 403 00	cover		1	
15	999 025 188 07	washer 5,3X17X1		2	

Model	Year	MG	SG	Illustration	Restrictions	Update	10:13	25.08.2006	PORSCHE	PET	PORSCHE
993	98	8	13	813-00		203					

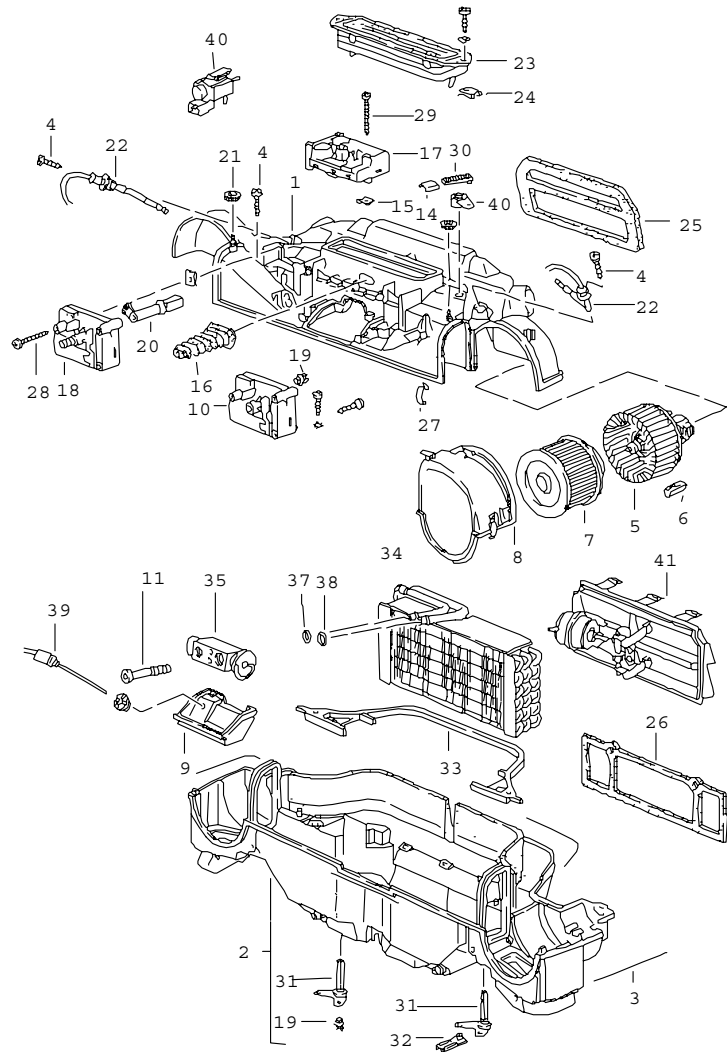
Pos	Part Number	Name	Remarks	Qty	Model	Pos	Part Number	Name	Remarks	Qty	Model
16	900 143 124 07	tapping screw		2							
17	993 559 411 00	grille		1							
18	993 559 401 00	grille frame		1							
	70K	black									
19	901 559 491 20	spacer		4							
20	N 014 086 12	tapping screw		4							
		- - - E N D - - -									

Model	Year	MG	SG	Illustration	Restrictions	Update	10:13	25.08.2006	PORSCHE	PET	PORSCHE
993	98	8	13	813-01		203					



Pos	Part Number	Name	Remarks	Qty	Model
		ventilation heating system 2			
(1)	993 572 041 00	muffler		2	
(1)	993 572 041 01	muffler	002	2	CARRERA RS M
2	900 143 102 02	screw B 4,2 X 19		4	
3	964 572 185 00	elbow		2	
4	900 187 033 02	tapping screw B 4,8 X 50		2	
5	900 025 003 02	washer		2	
6	999 707 207 40	o-ring		2	
6	999 707 176 40	o-ring 75 X 5,3		2	
7	964 572 438 01	clip		4	
8	999 591 614 02	prestole cage B 4,2		4	
9	900 143 007 02	tapping screw B 4,2 X 13		4	
10	964 572 043 01	insert bleeding		2	
11	900 187 125 02	screw B 3,5 X 13		4	
12	999 707 126 40	o-ring 66 X 3,0		2	
		- - - E N D - - -			

Model	Year	MG	SG	Illustration	Restrictions	Update	10:14	25.08.2006	PORSCHE	PET	PORSCHE
993	98	8	13	813-05		203					

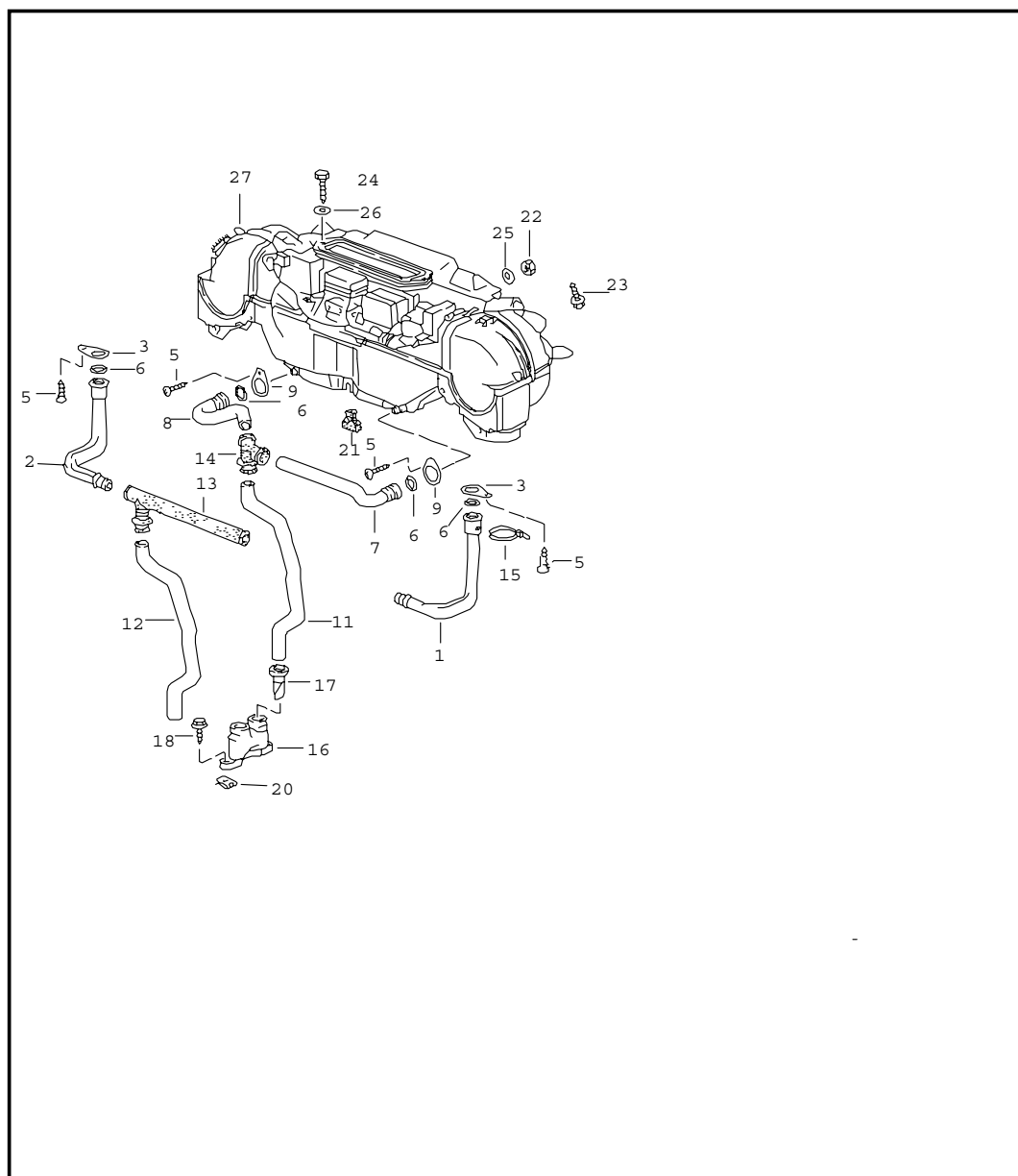


Pos	Part Number	Name	Remarks	Qty	Model
		heater air conditioner single parts			
1	993 572 901 00	housing upper part		1	
2	993 572 902 00	housing lower part		1	
3	000 043 204 72	sealing cord 2,10 M		1	
4	999 919 049 02	oval-head screw 3 X 10		36	
5	964 572 015 01	blower	/L	1	
(5)	964 572 016 01	blower	/R	1	
6	964 572 433 01	rubber mounting		8	
7	993 572 479 00	particle filter		2	
8	993 572 903 00	housing cover	/L	1	
(8)	993 572 904 00	housing cover	/R	1	
(9)	964 572 361 00	cover		1	
9	964 573 361 00	cover		1	M 573
10	993 572 905 00	electric motor temperature mixing flap centre		2	
11	000 043 300 11	pan-head screw M 5X35		2	
14	928 570 423 00	lock		X	
15	999 591 571 02	speed nut		2	
16	964 572 507 01	bellows		3	
17	964 624 901 00	electric motor fresh-air flap with lever		1	
18	964 624 902 00	electric motor defroster flap with segment	/R	1	
19	999 596 002 40	linkage clip		4	
20	964 572 663 00	joint		1	

Model	Year	MG	SG	Illustration	Restrictions	Update	10:14	25.08.2006	PORSCHE	PET	PORSCHE
993	98	8	13	813-05		203					

Pos	Part Number	Name	Remarks	Qty	Model	Pos	Part Number	Name	Remarks	Qty	Model
21	900 241 003 02	knurled nut		2							
22	964 659 901 00	temperature sensor mixing chamber repair kit		2							
23	964 572 415 00	bellows upper		1							
24	999 591 571 02	speed nut B 6,3		2							
25	964 572 437 02	gasket centre nozzle		1							
26	964 572 449 00	gasket lower		1							
27	928 570 423 00	tensioning spring		32							
28	999 919 097 02	oval-head screw 5 X 14		7							
29	900 143 135 07	tapping screw B 4,2 X 45		4							
30	964 572 343 00	lever upper		1							
31	964 572 345 00	connecting lever lower		2							
32	964 572 651 00	special nut		1							
33	964 572 551 00	gasket		1							
34	964 573 901 00	evaporator		1	M 573						
35	928 573 123 05	expansion valve		1	M 573						
--	000 043 300 11	screw M 5X35		2							
37	999 707 250 40	o-ring 10,6 X 2		1	M 573						
38	999 707 251 40	o-ring 14 X 2		1	M 573						
39	964 618 943 00	temperature sensor		1							
40	996 605 123 01	change-over valve		1							
41	993 572 077 00	flap	/LL	1							
(41)	993 572 078 00	flap	/RL	1							
		- - - E N D - - -									

Model	Year	MG	SG	Illustration	Restrictions	Update	10:15	25.08.2006	PORSCHE	PET	PORSCHE
993	98	8	13	813-10		203					

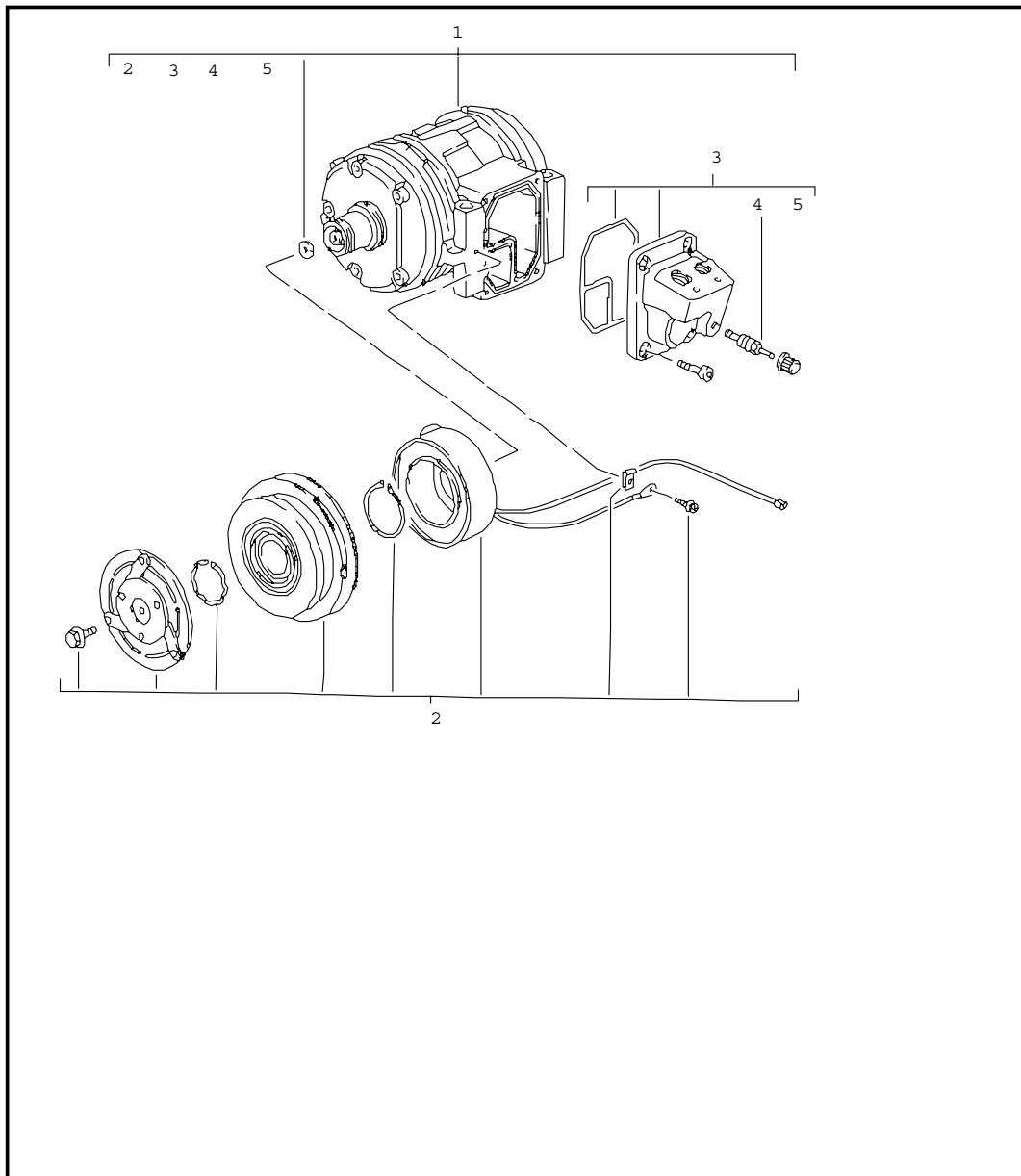


Pos	Part Number	Name	Remarks	Qty	Model
		water drain tube mount			
		wiring harness			
		heater			
		air conditioner			
1	964 572 517 01	water drain tube	/L	1	
2	964 572 518 01	water drain tube upper	/R	1	
3	964 572 537 00	flange		2	
5	999 919 049 02	oval-head screw 3 X 10		4	
6	999 707 143 40	o-ring 18 X 2,5		4	
7	993 572 511 00	water drain tube		1	
8	993 572 512 00	water drain tube		1	
9	993 572 571 00	flange		2	
11	993 572 561 00	water drain tube	/LL	1	
(11)	993 572 562 00	water drain tube lower	/RL	1	
12	964 572 567 00	water drain tube	/LL	1	
(12)	964 572 568 00	water drain tube lower	/RL	1	
13	964 572 897 00	water drain tube		1	
14	993 572 898 00	grommet		1	
15	999 513 003 40	tie-wrap		4	
16	993 572 393 00	guide piece for water drain tube		1	
17	993 572 563 00	check valve		1	
18	900 187 104 02	tapping screw B 4,8 X 13		1	
20	999 507 023 02	speed nut B 4,8		1	
21	964 572 659 00	spacer rubber		1	
22	900 076 010 02	hexagon nut M 6		2	

Model	Year	MG	SG	Illustration	Restrictions	Update	10:15	25.08.2006	PORSCHE	PET	PORSCHE
993	98	8	13	813-10		203					

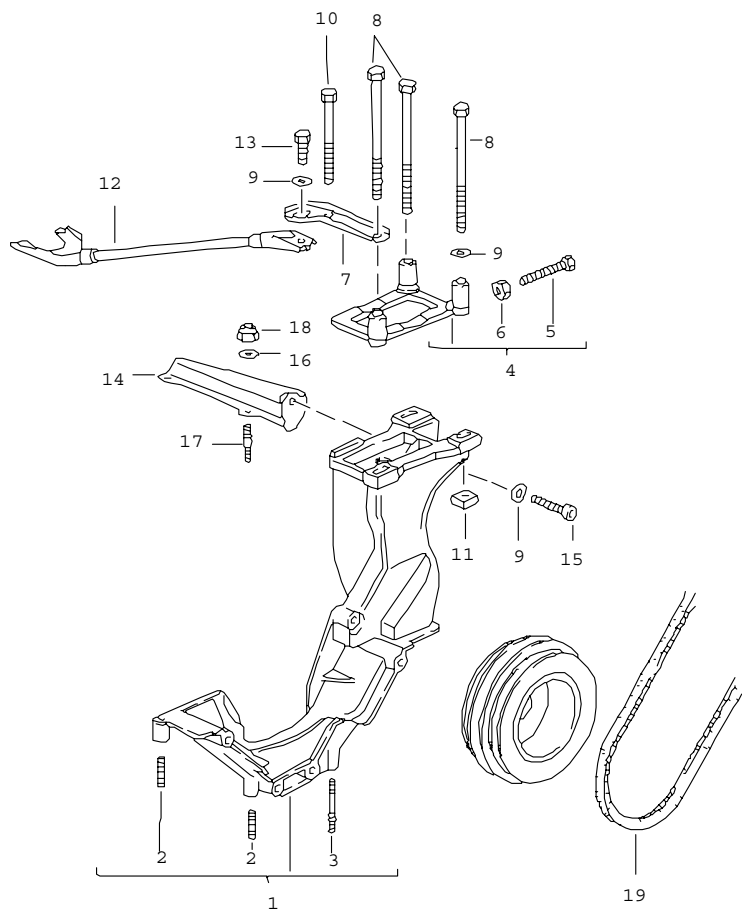
Pos	Part Number	Name	Remarks	Qty	Model	Pos	Part Number	Name	Remarks	Qty	Model
23	N 090 183 1	screw B 6,3 X 16		1							
24	900 187 010 02	tapping screw B 6,3 X 19		2							
25	900 151 003 02	washer A 6,4		2							
26	803 955 637	rubber washer		2							
27	993 612 180 01	wiring harness	-94	1	M 573						
27	993 612 180 03	wiring harness	95-	1	M 573						
27	993 612 180 00	wiring harness	-94	1							
27	993 612 180 02	wiring harness	95-	1							
		- - - E N D - - -									

Model	Year	MG	SG	Illustration	Restrictions	Update	10:15	25.08.2006	PORSCHE	PET	PORSCHE
993	98	8	13	813-15		203					



Pos	Part Number	Name	Remarks	Qty	Model
		compressor			
(1)	964 126 121 02	compressor		1	
(2)	964 126 901 01	repair kit magnetic clutch		1	
3	964 126 902 01	repair kit suction & press. connect.		1	
4	928 126 902 01	valve insert with cap		2	
		- - - E N D - - -			

Model	Year	MG	SG	Illustration	Restrictions	Update	10:15	25.08.2006	PORSCHE	PET	PORSCHE
993	98	8	13	813-20		203					

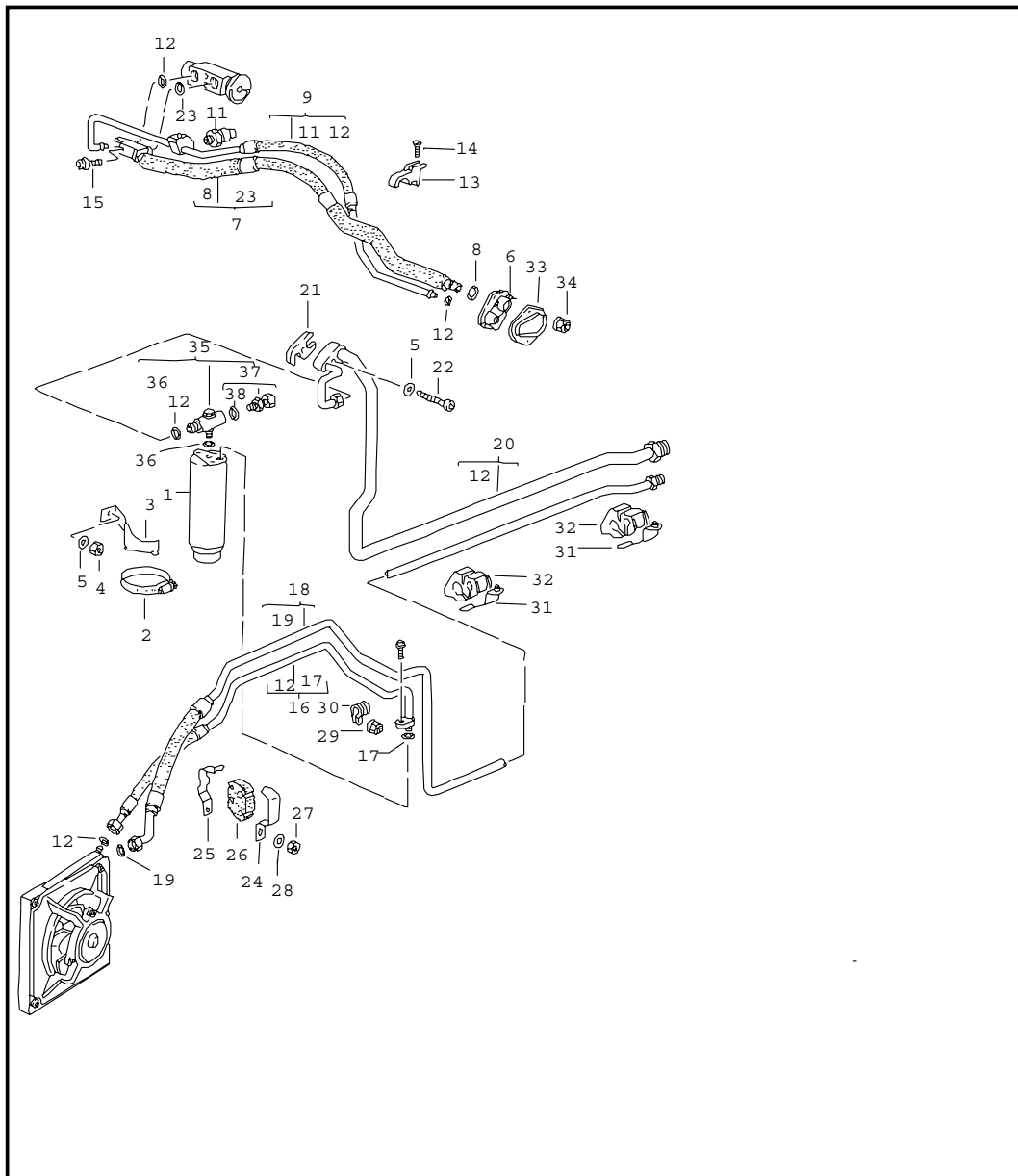


Pos	Part Number	Name	Remarks	Qty	Model
		compressor			M64.05/06/07 M64.08 M64.60
		mounting driving mechanism			
1	964 126 026 00	bracket		1	
(1)	993 107 005 52	bracket with oil pump		1	M.64.60
2	999 062 002 02	stud BM 6 X 15		3	
3	999 062 096 02	stud BM 6 X 40		1	
4	993 126 123 01	compressor plate	-95	1	
4	993 126 123 01	compressor plate	96-	1	
5	N 040 237 1	hexagon-head bolt M 8 X 55		1	
6	900 076 025 02	hexagon nut M 8		1	
7	964 126 124 00	support		1	
8	900 074 051 02	hexagon-head bolt M 8 X 125		3	
9	999 025 125 09	washer 8,4 X 17 X 3,1		4	
10	N 010 385 3	hexagon-head bolt M 8 X 85		1	
11	964 126 311 00	nut M 8		4	
12	993 126 128 00	strut		1	
13	900 075 323 02	hexagon-head bolt M 8 X 14		1	
14	993 126 114 00	angle		1	
15	999 218 009 02	pan-head screw micro-self-locking M 8 X 40		1	
16	N 011 666 7	washer 6,4		2	
17	999 062 085 02	stud BM 6 X 20		2	

Model	Year	MG	SG	Illustration	Restrictions	Update	10:15	25.08.2006	PORSCHE	PET	PORSCHE
993	98	8	13	813-20		203					

Pos	Part Number	Name	Remarks	Qty	Model	Pos	Part Number	Name	Remarks	Qty	Model
18	999 084 094 02	lock nut M 6		2							
(19)	999 192 363 50	v-belt 12.5 X 1085 v-belt pulley see group 1/02/00		1							
				1							
		- - - E N D - - -									

Model	Year	MG	SG	Illustration	Restrictions	Update	10:16	25.08.2006	PORSCHE	PET	PORSCHE
993	98	8	13	813-25		203					

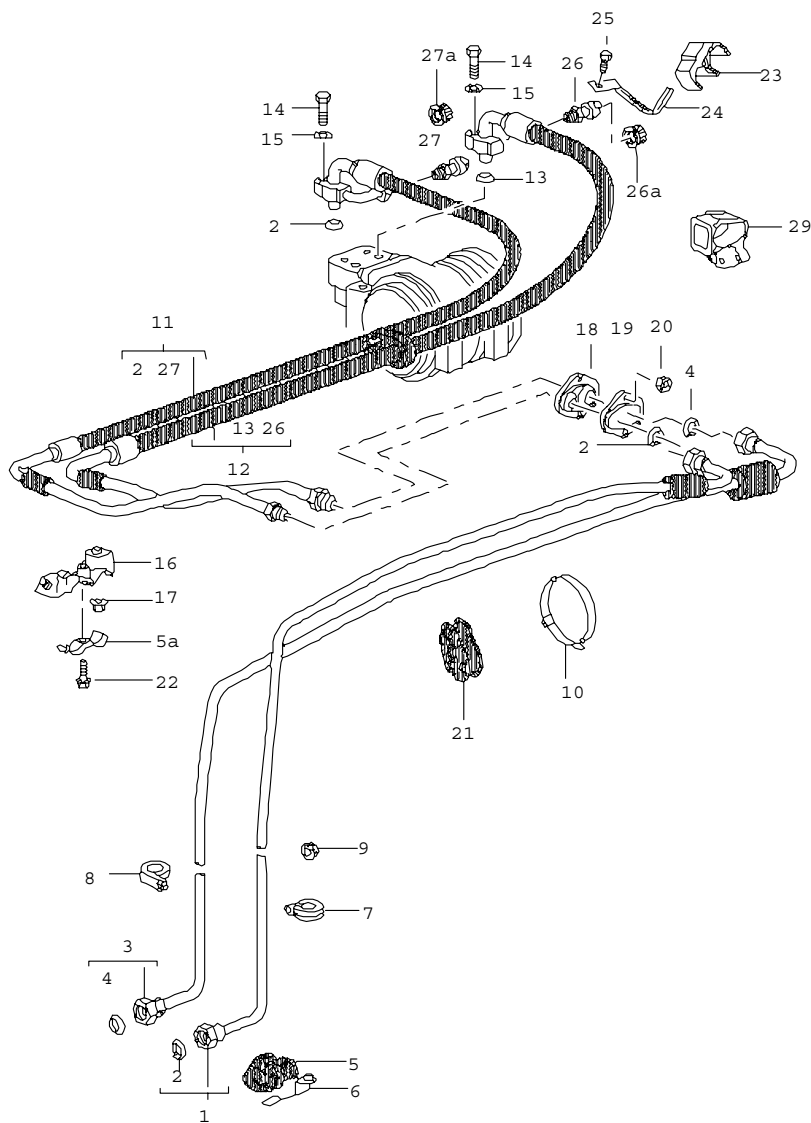


Pos	Part Number	Name	Remarks	Qty	Model
		refrigerant circuit front			
1	944 573 143 01	desiccator		1	
2	999 512 390 00	hose clamp 60-80 MM		1	
3	964 573 451 01	support		1	
4	900 910 012 02	lock nut M 6		1	
5	N 011 524 7	washer A 6,4		1	
6	964 573 553 00	rubber boot for		2	
7	993 573 091 01	intake pipe expansion valve wheel housing	-94	1	
7	993 573 091 01	intake pipe expansion valve wheel housing	95-	1	
8	999 707 252 40	o-ring 17 X 2		1	
9	993 573 103 00	pressure line NW 8 wheel housing expansion valve		1	
11	964 613 137 01	pressure switch		1	
12	999 707 247 40	o-ring 7,5 X 2		4	
13	993 573 467 00	retaining clip		1	
14	900 143 151 02	screw 4,2X16		1	
15	900 075 347 02	screw M 6 X 30		1	
16	993 573 093 00	pressure line desiccator wheel housing		1	
17	999 707 262 40	o-ring 6,7 X 1,8		1	
18	993 573 107 02	refrigerant line door sill condenser		1	

Model	Year	MG	SG	Illustration	Restrictions	Update	10:16	25.08.2006	PORSCHE	PET	PORSCHE
993	98	8	13	813-25		203					

Pos	Part Number	Name	Remarks	Qty	Model	Pos	Part Number	Name	Remarks	Qty	Model
19	999 707 250 40	o-ring 10,6 X 2		1							
20	993 573 092 02	intake pipe wheel housing door sill		1							
21	964 573 731 00	flange		1							
22	900 067 013 02	pan-head screw M 6 X 35		1							
23	999 707 251 40	o-ring 14 X 2		1							
24	964 573 463 00	support upper part		1							
25	964 573 453 00	support lower part		1							
26	964 573 455 00	spacer rubber		1							
27	900 076 025 02	hexagon nut M 8		1							
28	900 025 007 02	washer A 8,4 X 16 X 1,6		1							
29	999 501 074 40	plastic nut T 5 POM		1							
30	N 020 620 1	clamp B 13 X 15		1							
31	993 207 303 00	clamp		2							
32	993 573 463 02	rubber mounting	-95	2							
32	993 573 463 02	rubber mounting	96-	2							
33	964 573 565 00	cover		1							
34	999 501 074 40	plastic nut T 5 POM		2							
35	993 573 243 00	distributing piece		1							
36	999 707 262 40	o-ring 6,7 X 1,8		1							
37	928 573 311 00	relief valve		1							
38	999 707 261 40	o-ring 9 X 1,8		1							
- - - E N D - - -											

Model	Year	MG	SG	Illustration	Restrictions	Update	10:16	25.08.2006	PORSCHE	PET	PORSCHE
993	98	8	13	813-30		203					

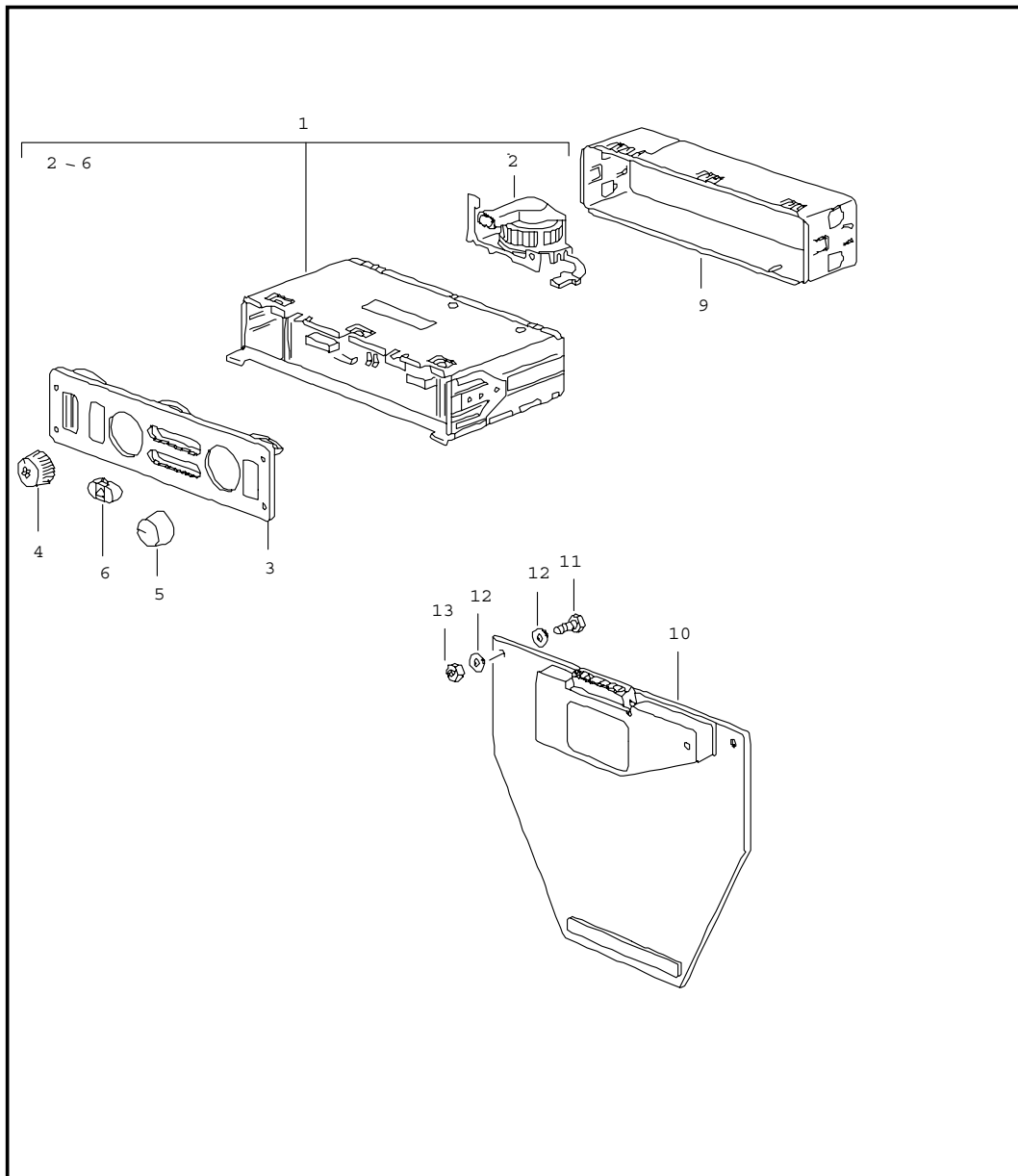


Pos	Part Number	Name	Remarks	Qty	Model
1	993 573 105 00	refrigerant circuit rear		1	
2	999 707 250 40	refrigerant line wheel housing door sill		3	
3	999 707 250 40	o-ring 10,6 X 2		3	
3	993 573 098 00	intake pipe door sill wheel housing		1	
4	999 707 252 40	o-ring 17 X 2		2	
5	993 573 463 02	rubber mounting		2	
5A	964 207 303 00	support		1	
6	993 207 303 00	clamp		2	
7	999 511 118 02	clip 15 X 15		1	
8	999 511 066 02	clamp 18 X 15		1	
9	999 049 001 40	plastic nut T 5		1	
10	999 513 010 40	tie-wrap 9 X 250		1	
(10)	999 513 054 40	tie-wrap 1,6-45		X	
11	993 573 097 00	refrigerant line compressor wheel housing	-95	1	C.2/C.4
11	993 573 097 03	refrigerant line compressor wheel housing	96-	1	C.2/C.4
11	993 573 097 02	refrigerant line compressor wheel housing		1	TURBO
12	993 573 099 00	intake pipe wheel housing compressor	-95	1	C.2/C.4
12	993 573 099 03	intake pipe wheel housing compressor	96-	1	C.2/C.4

Model	Year	MG	SG	Illustration	Restrictions	Update	10:16	25.08.2006	PORSCHE	PET	PORSCHE
993	98	8	13	813-30		203					

Pos	Part Number	Name	Remarks	Qty	Model	Pos	Part Number	Name	Remarks	Qty	Model
12	993 573 099 06	refrigerant line wheel housing compressor		1	TURBO			- - - E N D - - -			
13	999 707 251 40	o-ring 14 X 2		1							
14	999 067 028 02	hexagon-head bolt micro-self-locking M 8 X 32		2							
15	900 025 007 02	washer A 8,4		2							
16	999 507 354 40	cable holder 2 X 28/40		1							
17	999 049 022 40	plastic nut T 5		2							
18	964 573 553 00	rubber boot		1							
(18)	993 572 565 01	grommet	95	1							
(18)	993 572 565 01	grommet	96-	1							
19	964 573 565 00	cover		1							
20	999 501 074 40	plastic nut T 5 POM		2							
21	964 201 615 00	rubber mounting		1							
22	999 919 085 02	screw 6 X 22		1							
23	964 573 471 01	support		1							
24	993 573 473 01	mounting for support	94	1							
24	993 573 473 01	mounting for support	95-	1							
26	993 573 445 00	valve		1							
26A	944 573 663 01	valve cap		1							
27	993 573 446 00	valve		1							
27A	944 573 663 02	valve cap		1							
28	999 513 054 40	tie-wrap 1,6-45		1							
29	964 126 011 02	support		1							

Model	Year	MG	SG	Illustration	Restrictions	Update	10:16	25.08.2006	PORSCHE	PET	PORSCHE
993	98	8	13	813-40		203					

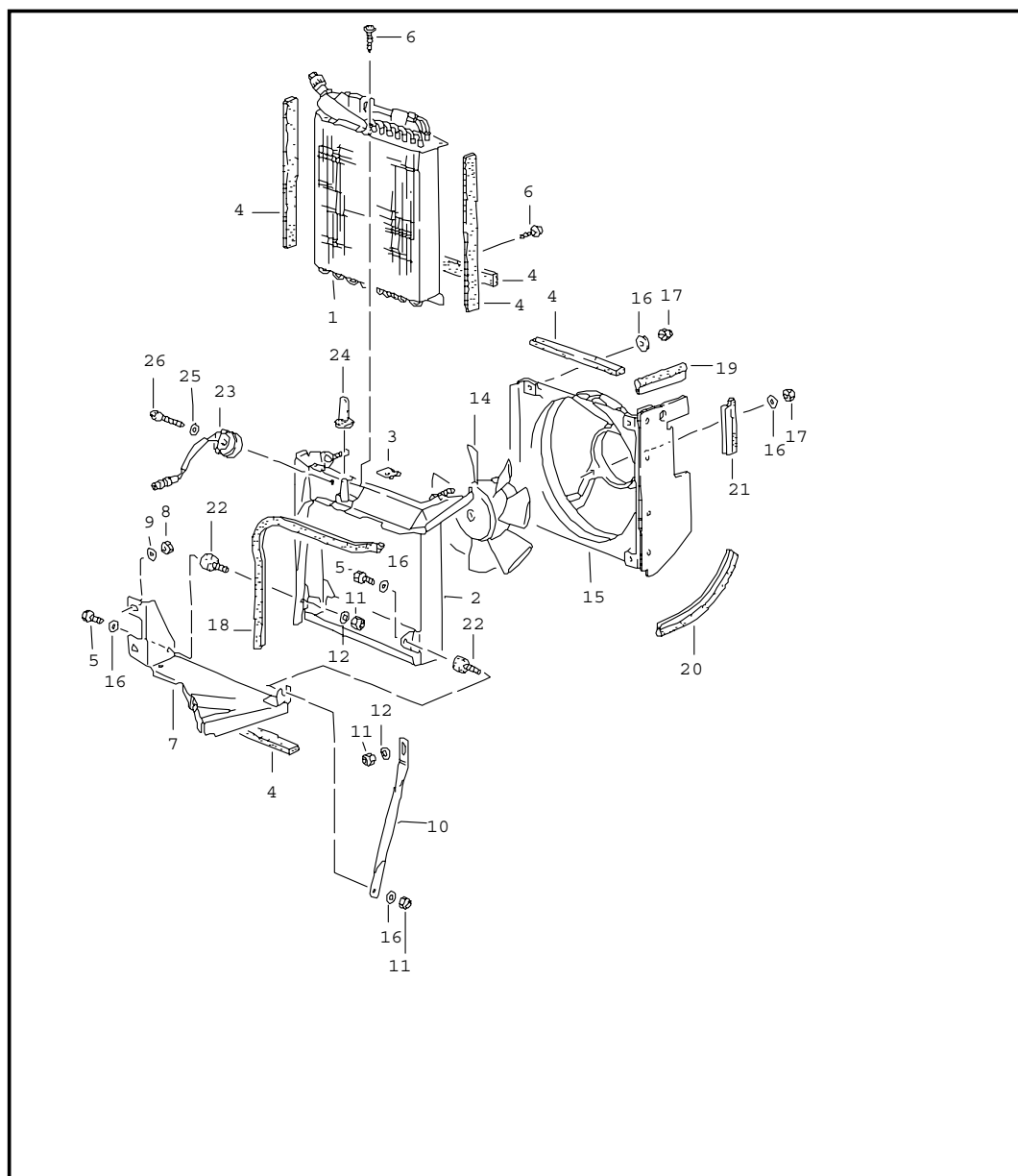


Pos	Part Number	Name	Remarks	Qty	Model
		control switch driver			
1	> 993 659 045 00	control switch CJH black	/LL -94	1	
1	993 659 045 01	control switch CJH black	/LL 95-	1	
(1)	> 993 659 046 00	control switch CJH black	/RL -94	1	
(1)	993 659 046 01	control switch CJH black	/RL 95-	1	
(1)	> 993 659 047 00	control switch CJH black	/LL -94	1	M 573
(1)	993 659 047 01	control switch CJH black	/LL 95-	1	M 573
(1)	> 993 659 048 00	control switch CJH black	/RL -94	1	M 573
(1)	993 659 048 01	control switch CJH black	/RL 95-	1	M 573
2	964 659 148 00	blower interior sensor		1	
3	964 659 945 00	cover	-95	1	
3	993 659 147 00	cover 1DB black	96-	1	
4	993 659 146 00	knob 01C black		1	
5	993 659 145 00	knob 01C black		1	
6	944 653 205 00	knob 01C black		2	
9	964 659 103 00	retaining frame		1	

Model	Year	MG	SG	Illustration	Restrictions	Update	10:16	25.08.2006	PORSCHE	PET	PORSCHE
993	98	8	13	813-40		203					

Pos	Part Number	Name	Remarks	Qty	Model	Pos	Part Number	Name	Remarks	Qty	Model
10	964 624 010 02	driver for blower		1							
11	N 010 207 6	hexagon-head bolt M 5 X 12		2							
12	900 025 003 02	washer A 5,3		4							
13	N 011 005 14	hexagon nut M 5		2							
-	N 903 353 03	contact spring \$ 2,5 - 3,5		X							
-	N 017 181 3	contact spring \$ 0,5 - 1,0		X							
		- - - E N D - - -									

Model	Year	MG	SG	Illustration	Restrictions	Update	10:17	25.08.2006	PORSCHE	PET	PORSCHE
993	98	8	13	813-45		203					

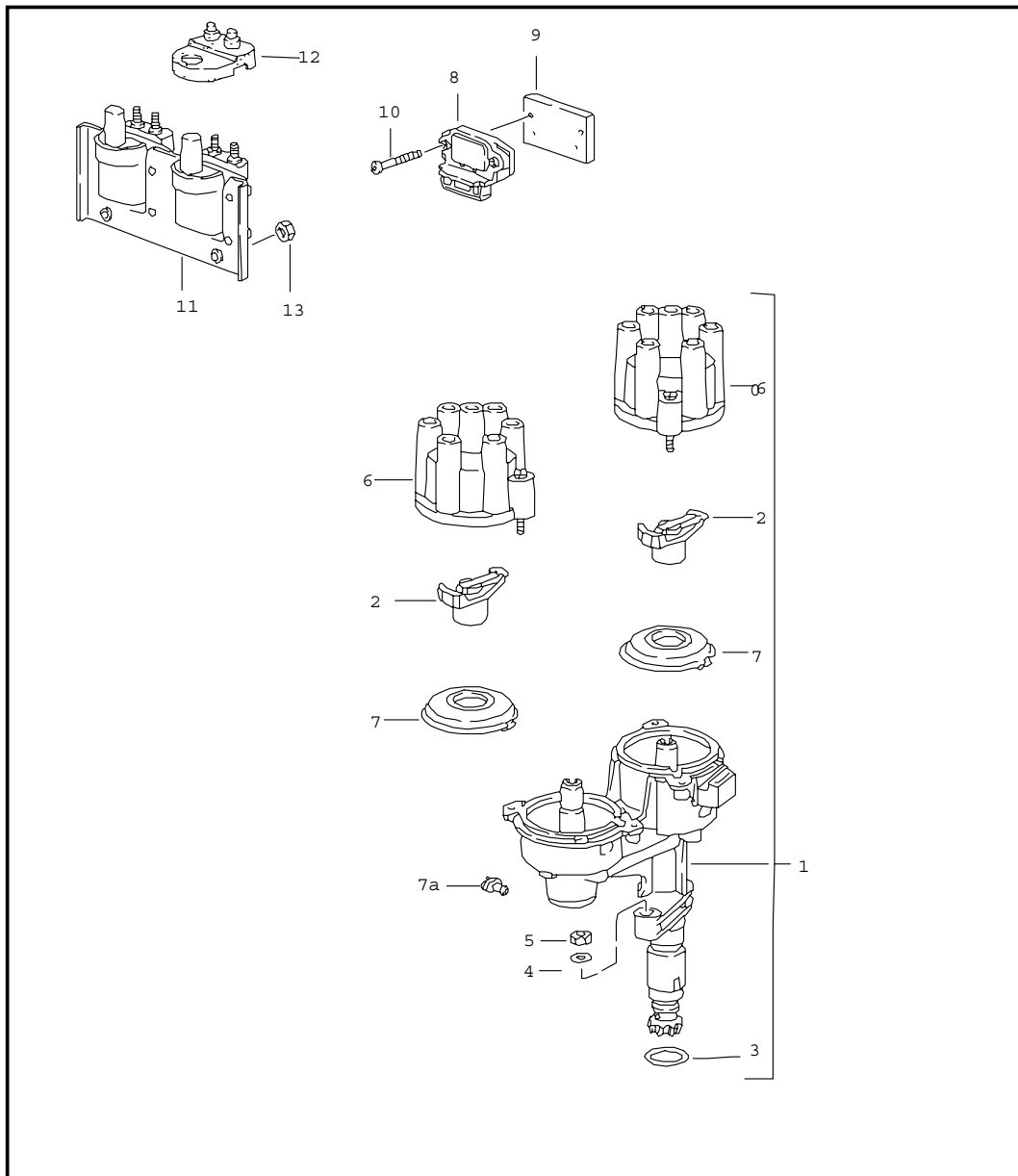


Pos	Part Number	Name	Remarks	Qty	Model
		condenser blower front			
(1)	993 573 011 01	condenser		1	
2	993 573 241 00	retaining frame	92-	1	
3	999 591 713 02	speed nut B 4,2		3	
-	000 043 204 88	sealing strap roller with 10 meters 9 X 3 280 MM		*	
5	N 010 208 5	hexagon-head bolt M 6 X 8		2	
6	900 143 117 02	combination tapping screw B 4,2 X 9,5		4	
7	964 573 301 00	bracket condenser		1	
8	900 910 022 02	lock nut V M 8		3	
9	900 151 008 02	washer B 8,4		3	
10	993 504 139 00	strut		1	
11	900 910 010 09	lock nut M 6		2	
12	N 011 666 7	washer B 6,4		2	
14	964 624 035 01	blower		1	
15	993 624 031 00	air-guide cowl		1	
16	N 011 524 7	washer A 6,4		3	
17	900 076 010 02	hexagon nut M 6		3	
-- A	999 911 398 40	protective edging		1	
--	999 911 398 40	protective edging		*	
18	-	557 MM			
19	-	180 MM		1	
20	-	425 MM		1	

Model	Year	MG	SG	Illustration	Restrictions	Update	10:17	25.08.2006	PORSCHE	PET	PORSCHE
993	98	8	13	813-45		203					

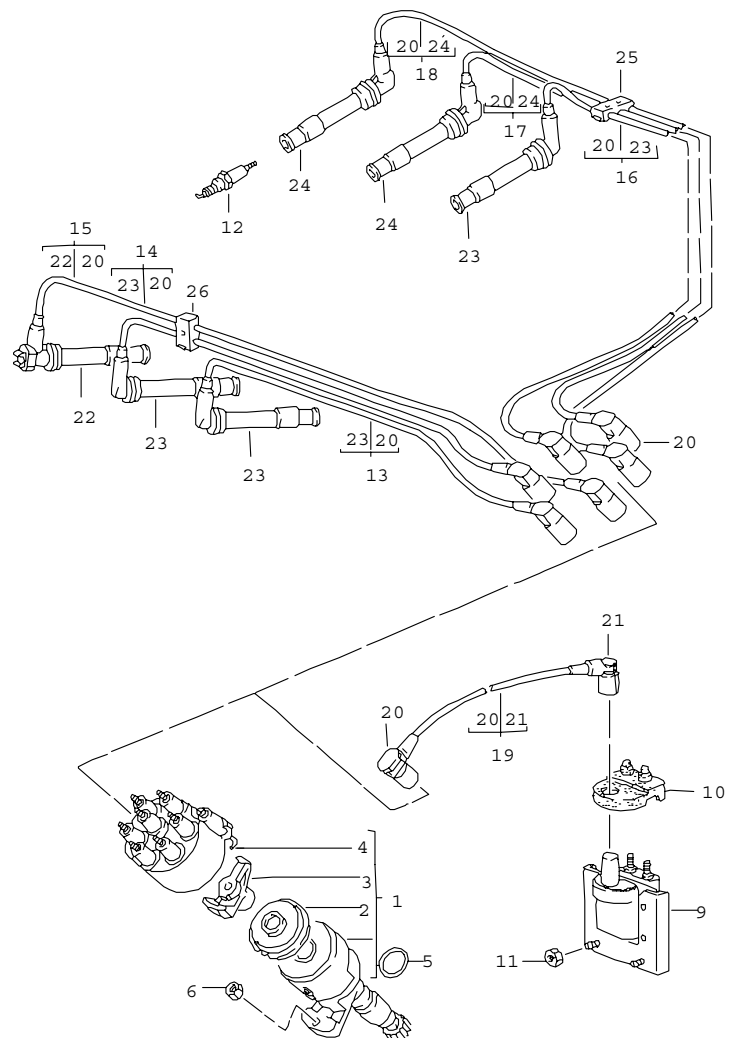
Pos	Part Number	Name	Remarks	Qty	Model	Pos	Part Number	Name	Remarks	Qty	Model
21	-	90 MM		1							
22	999 703 365 00	bonded rubber buffer 25 X 15		2							
23	964 616 521 01	ballast resistor	-94	1							
23	993 616 521 01	series resistor	95-	1							
23	993 616 521 01	ballast resistor	95-	1							
24	944 573 457 00	rubber sleeve		1							
25	N 011 556 2	washer 5,3		1							
26	N 044 728 1	pan-head screw M 5 X 20		1							
		- - - E N D - - -									

Model	Year	MG	SG	Illustration	Restrictions	Update	10:17	25.08.2006	PORSCHE	PET	PORSCHE
993	98	9	01	901-00		203					



Pos	Part Number	Name	Remarks	Qty	Model
		engine electr. equipment 1			M 64.05/06 M 64.20 M 64.21/22
1	> 930 602 015 01	distributor		1	
2	930 602 902 02	rotor		2	
3	911 602 102 01	sealing ring		1	
4	900 025 007 02	washer B 8,4		1	
5	999 084 095 02	lock nut M 8		1	
6	930 602 919 01	distributor cap		2	
7	930 602 909 00	dust cover		2	
7A	993 602 121 00	breather pipe		1	
8	993 602 706 00	ignition switch unit		1	
9	993 602 377 00	heat dissipator		1	
10	900 067 002 02	pan-head screw M 4 X 30		2	
11	993 602 071 00	ignition coil		1	
12	993 602 801 00	protection cap		2	
13	999 084 613 02	lock nut M 6		2	
- - - E N D - - -					

Model	Year	MG	SG	Illustration	Restrictions	Update	10:18	25.08.2006	PORSCHE	PET	PORSCHE
993	98	9	01	901-01		203					

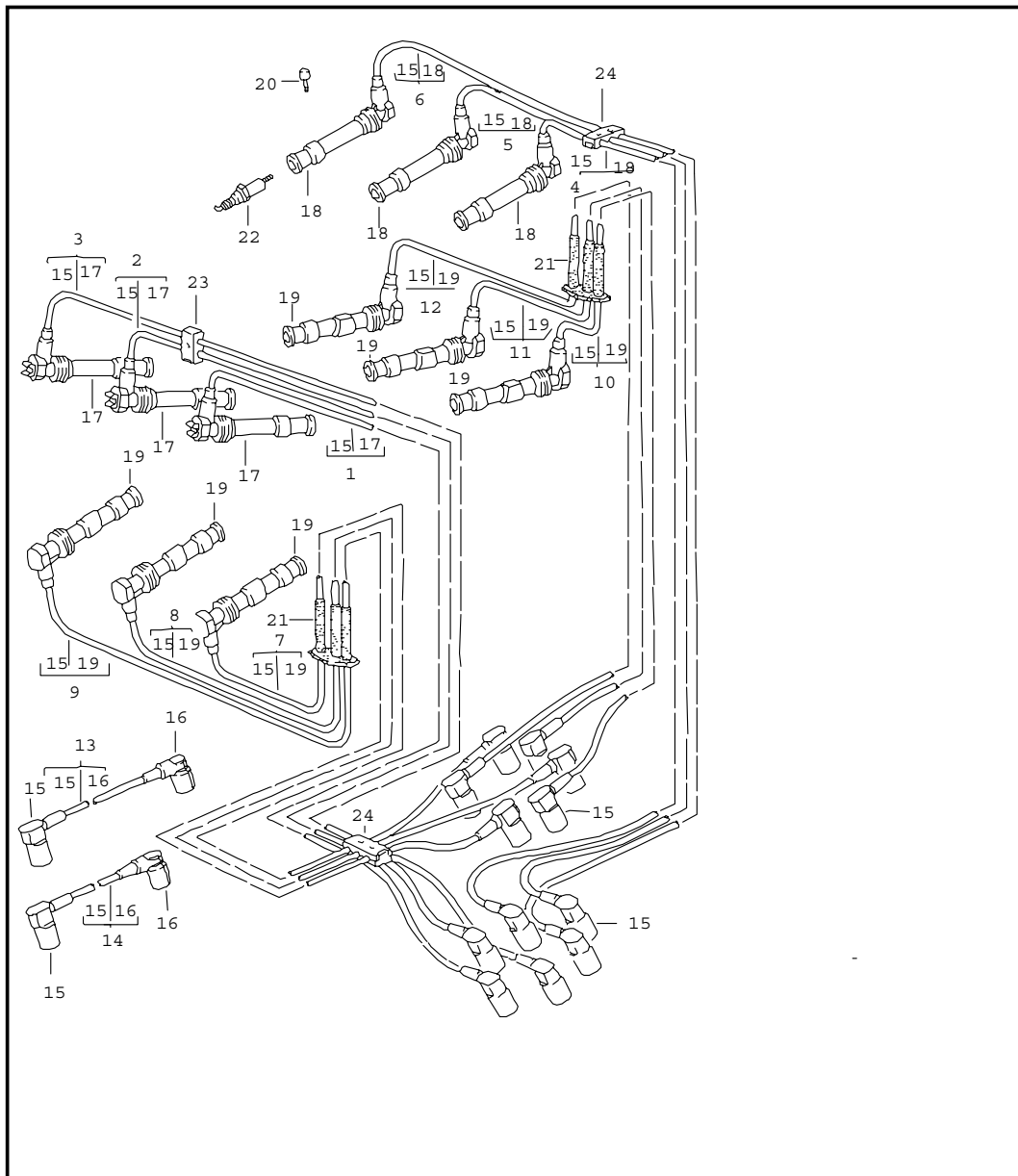


Pos	Part Number	Name	Remarks	Qty	Model
		engine electric. equipment			M 64.60
1	> 993 602 016 00	distributor		1	
2	930 602 918 00	dust cover		1	
3	930 602 902 02	rotor		1	
4	930 602 919 00	distributor cap		1	
5	911 602 102 01	sealing ring		1	
6	900 380 005 09	hexagon nut VM 8		1	
9	993 602 073 00	ignition transformer		1	
10	993 602 801 00	protection cap		1	
11	900 076 010 02	hexagon nut M 6		2	
12	999 170 195 90	spark plug 14FR 6LDU		6	
13	993 602 060 21	ignition lead cylinder 1		1	
14	993 602 060 28	ignition lead cylinder 2		1	
15	993 602 060 23	ignition lead cyl. 3		1	
16	993 602 060 29	ignition lead cyl. 4		1	
17	993 602 060 25	ignition lead cylinder 5		1	
18	993 602 060 26	ignition lead cyl. 6		1	
19	993 602 060 27	ignition lead		1	
20	993 602 557 00	suppressor cap		7	
21	928 602 557 00	suppressor cap		1	
22	911 602 314 00	spark plug socket		1	
23	993 602 314 00	spark plug socket		3	
24	911 602 313 00	spark plug socket		2	
25	928 602 323 00	cable holder		8	
26	928 602 322 00	cable holder		2	

Model	Year	MG	SG	Illustration	Restrictions	Update	10:18	25.08.2006	PORSCHE	PET	PORSCHE
993	98	9	01	901-01		203					

Pos	Part Number	Name	Remarks	Qty	Model	Pos	Part Number	Name	Remarks	Qty	Model
-	993 602 092 00	support ignition lead left		1							
-	911 602 091 00	support ignition lead right		1							
		- - - E N D - - -									

Model	Year	MG	SG	Illustration	Restrictions	Update	10:18	25.08.2006	PORSCHE	PET	PORSCHE
993	98	9	01	901-02		203					

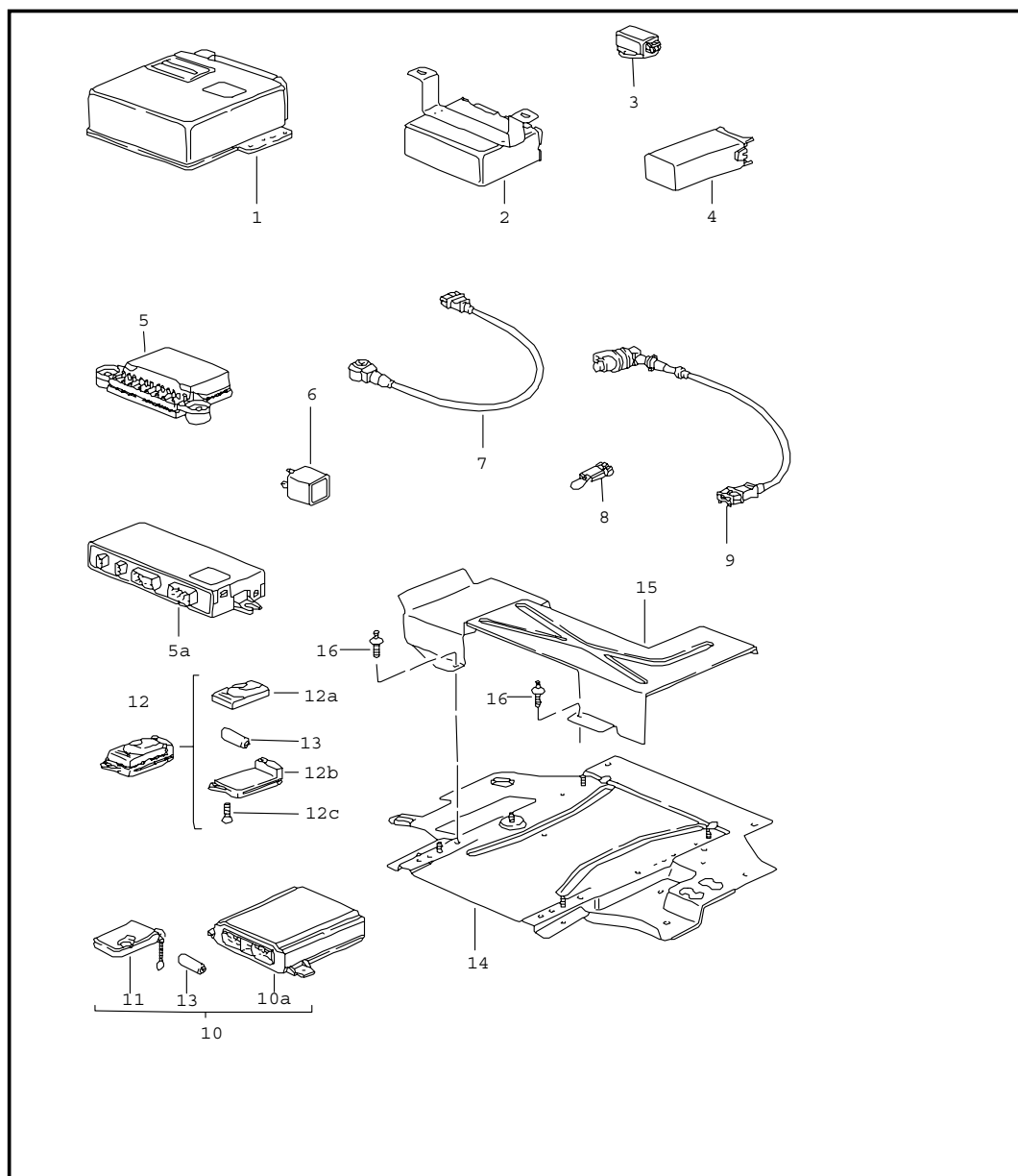


Pos	Part Number	Name	Remarks	Qty	Model
		electr. equipment-engine 2			M 64.05/06 M 64.20 M 64.21/22
1	993 602 060 01	ignition lead cylinder 1		1	
2	993 602 060 02	ignition lead cylinder 2		1	
3	993 602 060 03	ignition lead cyl. 3		1	
4	993 602 060 04	ignition lead cyl. 4		1	
5	993 602 060 05	ignition lead cylinder 5		1	
6	993 602 060 06	ignition lead cyl. 6		1	
7	993 602 060 11	ignition lead cylinder 1		1	
8	993 602 060 12	ignition lead cylinder 2		1	
9	993 602 060 13	ignition lead cyl. 3		1	
10	993 602 060 14	ignition lead cyl. 4		1	
11	993 602 060 15	ignition lead cylinder 5		1	
12	993 602 060 16	ignition lead cyl. 6		1	
13	993 602 060 07	ignition lead		1	
14	993 602 060 08	ignition lead		1	
15	993 602 557 00	suppressor cap		14	
16	928 602 557 00	suppressor cap		2	
17	911 602 314 00	spark plug socket		3	
18	911 602 313 00	spark plug socket		3	
19	993 602 313 00	spark plug socket		6	
20	911 609 310 00	threaded sleeve		X	
21	993 602 403 00	rubber sleeve		2	

Model	Year	MG	SG	Illustration	Restrictions	Update	10:18	25.08.2006	PORSCHE	PET	PORSCHE
993	98	9	01	901-02		203					

Pos	Part Number	Name	Remarks	Qty	Model	Pos	Part Number	Name	Remarks	Qty	Model
22	999 170 183 90	spark plug FR 5 DTC		12							
22	999 170 195 90	spark plug 14FR 6LDU		12	WW						
23	928 602 322 00	cable holder		1							
24	928 602 323 00	cable holder		10							
-	993 602 091 00	support ignition lead		1							
-	900 075 121 02	hexagon-head bolt M 5 X 35		1							
-	900 025 003 02	washer A 5,3		1							
-	900 143 184 02	tapping screw 4,2 X 38		6							
-	900 143 185 02	tapping screw 4,2 X 50		2							
		- - - E N D - - -									

Model	Year	MG	SG	Illustration	Restrictions	Update	10:18	25.08.2006	PORSCHE	PET	PORSCHE
993	98	9	01	901-03		203					



Pos	Part Number	Name	Remarks	Qty	Model
		control units see technical information GR.9, NR. 3/94 see tpi GR.9 , NR.11 , 09/94			
1	993 618 123 06	control unit - dme -	-95 94	1	M 64.05/06/ 07/08 M 530
1	993 618 124 06	control unit - dme -	95	1	M 64.05/06/ 07/08 M 530
1	993 618 123 11	control unit - dme -	96-	1	M 64.21/22
1	993 618 124 11	control unit - dme - for cars with anti-drive-off feature	96-	1	M 64.21/22
1	993 618 663 10	control unit - dme -	96-	1	M 64.60 M 150
1	993 618 664 10	control unit - dme - for cars with anti-drive-off feature	96-	1	M 64.60 M 150
1	993 618 665 10	control unit - dme -	96-	1	M 64.60
1	993 618 666 10	control unit - dme - for cars with anti-drive-off feature	96-	1	M 64.60
1	993 618 123 85	control unit - dme -		1	M 64.20
1	993 618 124 85	control unit - dme - for cars with anti-drive-off feature		1	M 64.20
(1)	993 618 115 00	control unit TIPTRONIC	-95	1	M 249
(1)	993 618 120 02	control unit TIPTRONIC note coding see technical information GR.3, NR. 1/96	96-	1	M 249
2	993 641 330 00	central indicator		1	

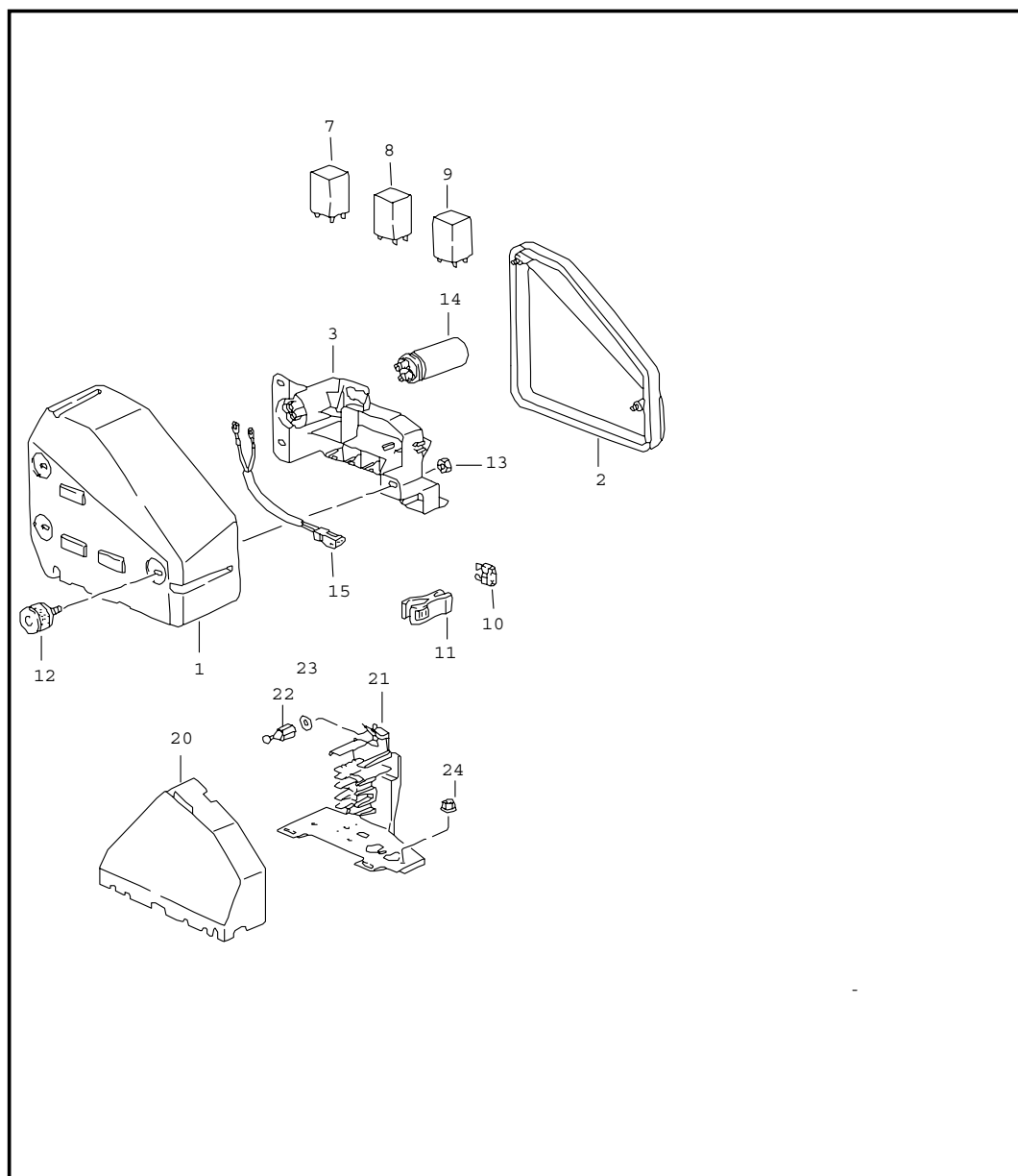
Model	Year	MG	SG	Illustration	Restrictions	Update	10:18	25.08.2006	PORSCHE	PET	PORSCHE
993	98	9	01	901-03		203					

Pos	Part Number	Name	Remarks	Qty	Model	Pos	Part Number	Name	Remarks	Qty	Model
2	993 641 340 00	central indicator		1	TURBO	-	999 217 082 02	hexagon-head bolt micro-self-locking M 8 X 30 see workshop manual 993 GR.97-013 when required order also:		2	
(2)	928 618 260 03	control unit alarm system central locking system		1	M 534						
-	443 972 977 C	plug socket		1							
-	N 903 012 01	contact bush		X		-	999 650 156 40	plug socket		1	
3	993 606 153 00	lateral accelerat. sensor	-95	1	M 249	-	999 652 871 22	connector		3	
4	964 618 212 00	control unit rear spoiler		1		-	999 704 161 40	gasket		3	
-	964 618 121 00	support	/LL	1		9	996 606 105 00	pulse sender see workshop manual 993 GR.97-013 when required order also:		1	
-	964 618 117 01	support for POS. 4	/RL	1		-	999 652 916 40	plug socket		1	
5	993 618 313 00	control unit folding top control		1	CABRIO	-	999 652 871 22	connector		3	
-	964 618 105 00	plastic nut for control unit folding top control		2	CABRIO	10	993 618 959 10	anti-drive-off feature 433 MHZ	94	1	M 530
5A	993 618 118 00	control unit driving mechanism glass roof		1	TARGA	10A	993 618 159 01	control unit anti-drive-off feature 433 MHZ when required order also: POS.11 or POS.12	95-	1	M 530
-	993 618 208 00	support for control unit glass roof		1	TARGA	10A	993 618 159 02	control unit anti-drive-off feature 315 MHZ when required order also: POS.11 or POS.12	-96 97	1	(AUS) M 530 M 529
6	1H0 953 227	flasher relay		1							
6	443 951 307 B	buzzer illumination		1							
6	928 618 102 03	warning time relay		1	M 215	-	999 652 890 40	plug socket		1	M 529/M 530
6	928 618 104 00	relay rear window wiper		1		-	999 652 889 12	contact bush 1,4 - 2		X	M 529/M 530
6	964 618 103 00	control unit brightness control	-95	1		11	993 618 259 01	remote control 433 MHZ	-95	1	M 530
7	993 606 141 00	knock sensor use also:		2		11	993 618 259 02	remote control 315 MHZ	95	1	(AUS) M 530
						12	993 637 049 01	remote control 433 MHZ	96-	1	M 530

Model	Year	MG	SG	Illustration	Restrictions	Update	10:18	25.08.2006	PORSCHE	PET	PORSCHE
993	98	9	01	901-03		203					

Pos	Part Number	Name	Remarks	Qty	Model	Pos	Part Number	Name	Remarks	Qty	Model
12	993 637 049 02	remote control 315 MHZ	96 97	1	(AUS) M 530 M 529	15	993 618 459 00	cover plate	95-	1	M 530
		electronic mail 35/96				(15)	993 618 459 01	cover plate		1	CARRERA RS M 530
12A	993 637 249 00	cover	96- 97	1	M 530 M 529	16	999 074 051 02	shear bolt M 6 X 13	95-	4	M 530
12B	993 637 149 01	housing 433 MHZ	96-	1	M 530	(16)	999 507 472 02	lock nut M 5		6	CARRERA RS M 530
12B	993 637 149 02	housing 315 MHZ	96 97	1	(AUS) M 530 M 529	-	993 618 559 00	securing clip		1	CARRERA RS M 530
12C	900 146 155 07	cross-recess screw M 2 X 12	96-	1	M 529,M 530						
		when required order also:									
-	993 637 701 00	sticker	95-	1	(CH) M 530						
-	993 637 701 02	sticker	95-	1	(F) M 530						
-	993 637 701 03	sticker	95-	1	(NL), (S) M 530						
-	993 637 701 04	sticker	95-	1	(DK) M 530						
-	993 637 701 05	sticker	95-	1	(GB) M 530						
-	993 637 701 06	sticker	96-	1	(E), (P) M 530						
13	999 611 105 00	battery		1							
14	993 618 024 04	support for control units	/L -95	1							
14	993 618 024 04	support for control units	/L 96-	1							
(14)	993 618 024 02	support for control units	/L	1	CARRERA RS						
(14)	993 618 204 01	support for control units	/R	1							
-	999 513 057 40	support for tie-wrap		X							
-	999 513 054 40	tie-wrap		X							

Model	Year	MG	SG	Illustration	Restrictions	Update	10:19	25.08.2006	PORSCHE	PET	PORSCHE
993	98	9	01	901-05		203					

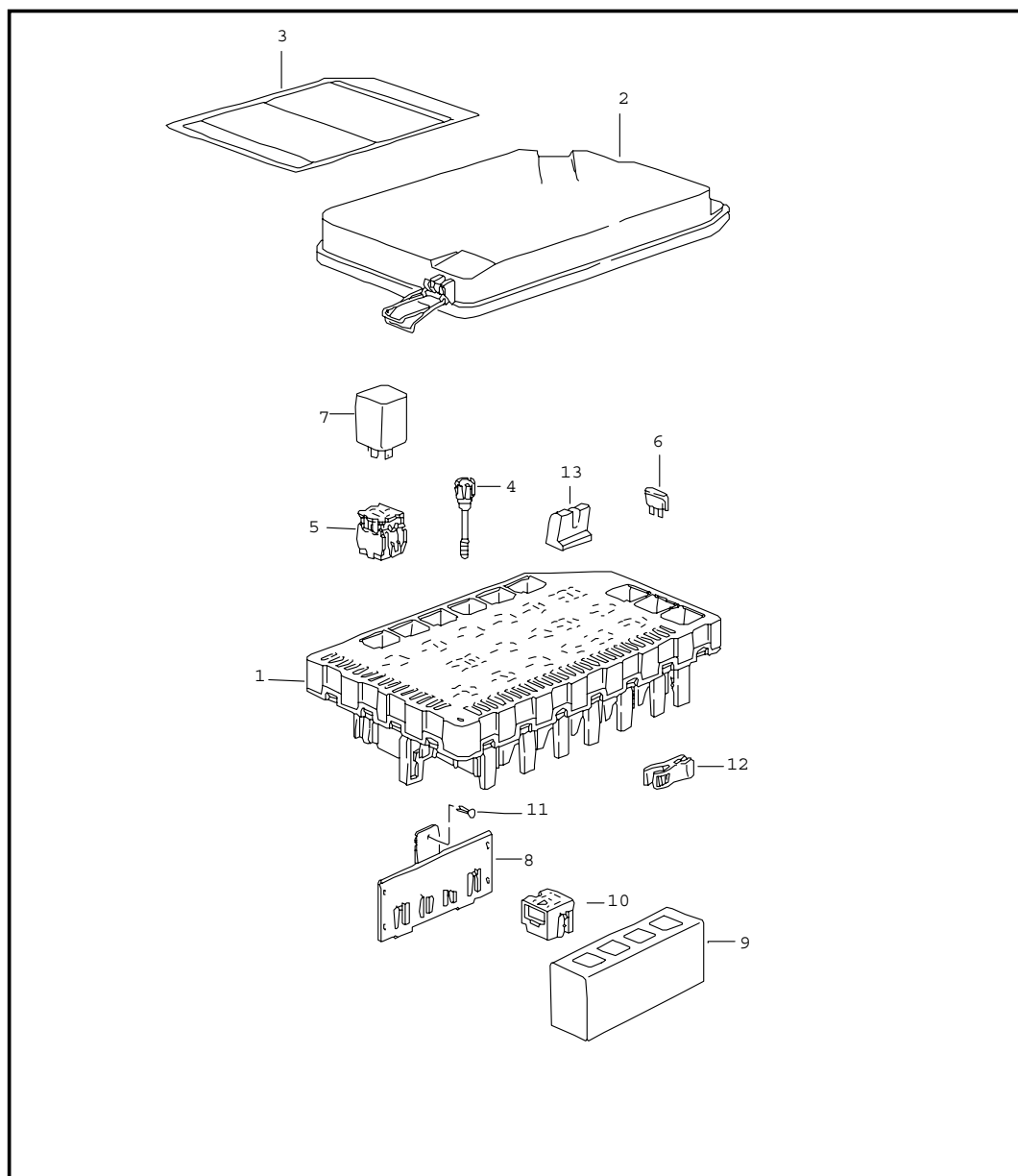


Pos	Part Number	Name	Remarks	Qty	Model
		central electrical system engine compartment			
1	964 610 131 00	housing		1	
2	993 610 022 00	cover		1	
	01C	black			
3	993 610 281 00	plate		1	
7	993 618 116 00	relay rear window heating	-94	1	
7	993 618 117 00	control unit rear window heating	95-	1	
8	964 615 215 00	double relay		1	M 573
9	811 951 253	relay blower		1	
(9)	993 615 115 00	relay secondary pump		1	
10 A	999 607 005 00	fuse 7,5 A		1	
10	999 607 083 00	fuse 7,5 A		1	
10 A	999 607 009 00	fuse 25 A		1	
10	999 607 087 00	fuse 25 A		1	
10	999 607 010 00	fuse 30 A		1	
10 A	999 607 011 00	fuse 40 A		1	
10	999 607 073 00	fuse 40 A		1	
11	443 941 802	tool		1	
12	999 703 384 00	silentbloc		3	
13	900 377 010 09	hexagon nut M 6		3	
14	964 645 501 00	suppressor condenser		1	
15	993 610 183 00	wiring harness		1	
20	993 610 284 00	cover		1	

Model	Year	MG	SG	Illustration	Restrictions	Update	10:19	25.08.2006	PORSCHE	PET	PORSCHE
993	98	9	01	901-05		203					

Pos	Part Number	Name	Remarks	Qty	Model	Pos	Part Number	Name	Remarks	Qty	Model
21	993 610 028 00	plate		1							
22	999 167 047 02	ball pin		1							
23	N 011 524 7	washer A 6,4		1							
24	999 049 008 40	plastic nut		1							
		- - - E N D - - -									

Model	Year	MG	SG	Illustration	Restrictions	Update	10:19	25.08.2006	PORSCHE	PET	PORSCHE
993	98	9	02	902-00		203					

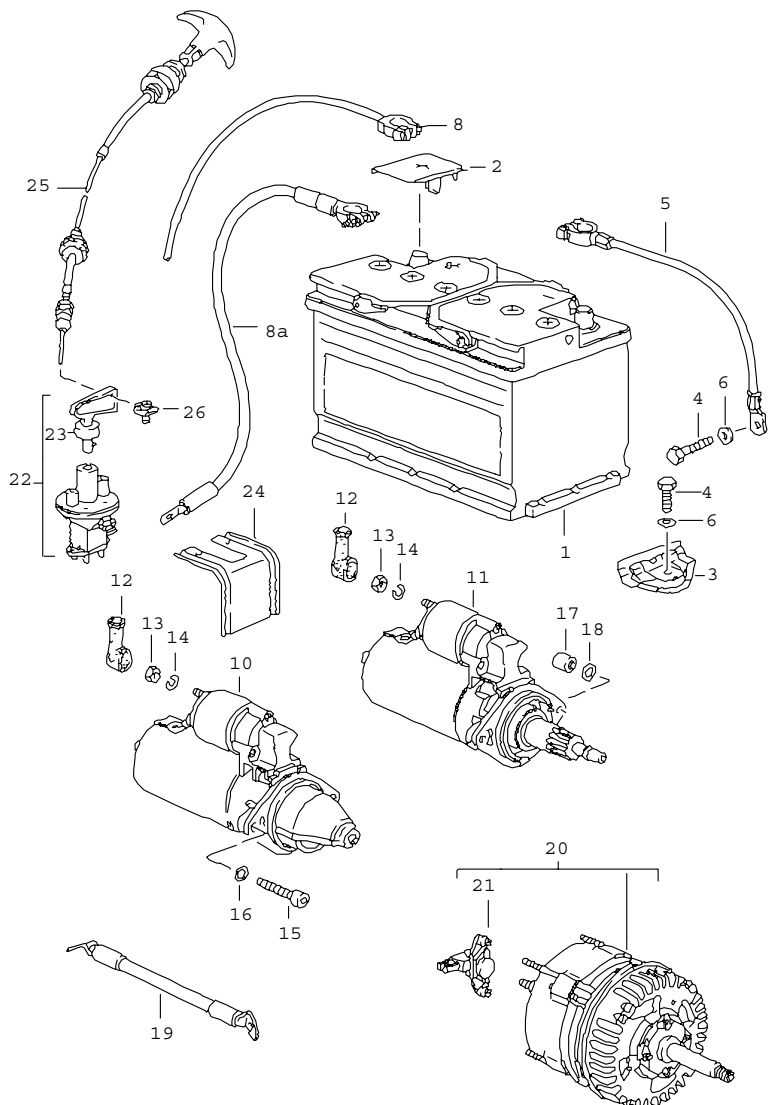


Pos	Part Number	Name	Remarks	Qty	Model
		central electrical system			
		see tpi GR.9 , NR.9 , 07/94			
1	964 610 011 00	central electrical system	94	1	
1	993 610 011 00	central electrical system	95-	1	
2	964 610 076 00	cover		1	
3	993 610 209 00	indication sticker	94	1	
3	993 610 209 01	indication sticker	95	1	
3	993 610 209 02	indication sticker F >>99TS3 11164 F >>99TS3 30411 F >>99TS3 80251 F >>99TS3 71308	96	1	COUPE CABRIO TARGA TURBO
3	993 610 209 04	indication sticker F 99TS3 11165>> F 99TS3 30412>> F 99TS3 80252>> F 99TS3 71309>>	96	1	COUPE CABRIO TARGA TURBO
3	993 610 209 05	indication sticker	97-	1	
-	964 610 033 00	cover small for central electrical system		1	
4	944 610 611 00	screw		1	
5	928 610 511 00	relay carrier		X	
6	A 999 607 005 00	fuse 7,5 A		X	
6	999 607 083 00	fuse 7,5 A		X	
6	999 607 007 00	fuse 15 A		X	
6	A 999 607 009 00	fuse 25 A		X	
6	999 607 087 00	fuse 25 A		X	
6	999 607 010 00	fuse 30 A		X	
6	999 607 013 00	fuse 60 A		X	

Model	Year	MG	SG	Illustration	Restrictions	Update	10:19	25.08.2006	PORSCHE	PET	PORSCHE
993	98	9	02	902-00		203					

Pos	Part Number	Name	Remarks	Qty	Model	Pos	Part Number	Name	Remarks	Qty	Model
7	-	relay				R 51	141 951 253 B	relay back-up light		1	M 249
R 01	141 951 253 B	relay KL. X(II)		1		R 52	964 610 184 00	bridge adapter		1	M 615
R 04	811 951 253	double relay oil cooler blower		1		R 53	993 615 227 00	relay - dme -		1	
R 11	141 951 253 B	relay KL. 15 E		1		R 61	141 951 253 B	relay		1	M 249
R 12	964 610 183 02	bridge adapter		1		R 61	141 951 253 B	relay		1	M 480/530
R 12	964 610 183 03	bridge adapter		1	M 487	8	993 615 133 00	support		1	
R 14	811 951 253	double relay air conditioner		1		9	993 615 134 00	cover		1	
R 21	964 610 184 00	bridge adapter		1	CABRIO/ TARGA	10	999 652 793 40	relay carrier	94	X	
R 21	141 951 253 B	relay sunroof		1		10	999 652 847 40	relay carrier	95-	X	
R 22	944 615 112 02	relay power windows		1		11	999 591 765 40	expansion rivet		1	
R 22	141 951 253 B	relay power windows		1	(AUS)	R 65	993 615 130 00	relay anti-lock brake system	94	1	
R 23	141 951 253 B	relay fanfare		1		R 65	993 615 136 00	relay anti-lock brake system	95-	1	
R 24	964 618 145 00	control unit selector lever lock	-95	1	M 249	R 66 A	993 615 135 00	relay pump brake booster	95-	1	
R 24	964 618 103 00	control unit brightness control	96-	1		R 66	999 657 008 90	relay pump brake booster	95-	1	
R 31	141 951 253 B	relay fog headlamp		1		R 68	993 615 130 00	relay anti-lock brake system	94	1	
R 33	191 937 503	relay KL. X (I)		1		R 68	993 615 136 00	relay anti-lock brake system	95-	1	
R 34	141 951 253 B	relay fog headlamp		1	(J)	12	443 941 802	tool		1	
R 42	993 615 101 00	interval relay		1		13	964 610 232 00	spacer		1	
R 43	993 618 111 00	relay headlight washer system		1		-	999 652 794 40	fuse box for 60 A fuse		1	
R 44	993 617 119 00	switch unit temperature monitoring catalytic converter		1	(J)	-	999 652 825 40	anti-lock brake system luggage compartment		1	
								cap for 999.652.794.40		1	
								- - - E N D - - -			

Model	Year	MG	SG	Illustration	Restrictions	Update	10:19	25.08.2006	PORSCHE	PET	PORSCHE
993	98	9	02	902-05		203					

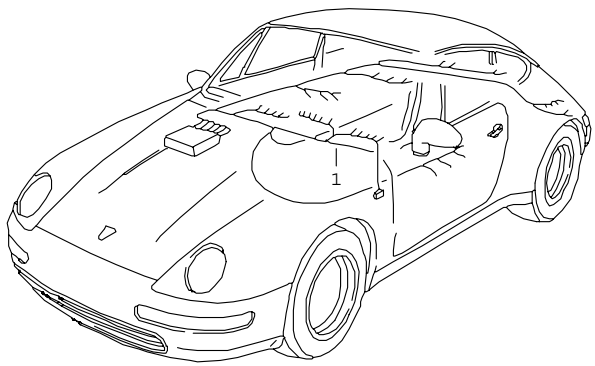
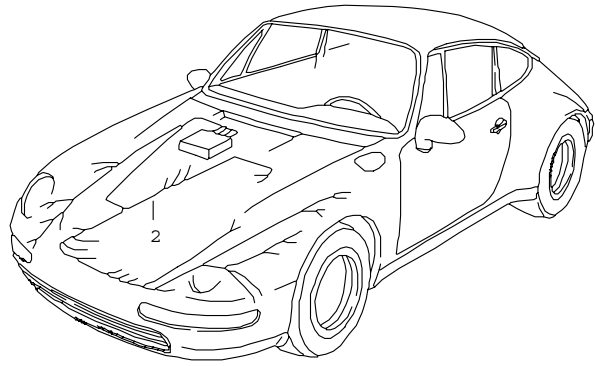


Pos	Part Number	Name	Remarks	Qty	Model
1	999 611 070 20	battery harnesses starter generator		1	
(1)	999 611 036 20	battery 75 AH electronic mail 02/97		1	CARRERA RS
2	999 611 104 00	pole covering		1	
(2)	477 915 429 A	pole covering		1	CARRERA RS
3	964 611 209 01	bracket		1	
4	900 075 078 02	hexagon-head bolt M 8 X 15		2	
5	993 611 799 00	ground cable		1	
6	900 025 025 02	washer 8,4		2	
8	993 612 022 00	wiring harness NR. 22	/LL	1	CARRERA
			/LL		CARRERA RS M 002
8	993 612 022 42	wiring harness NR. 22	/LL	1	CARRERA RS M 003
8	993 612 022 02	wiring harness NR. 22	/LL 95- /LL	1	CARRERA 4 TURBO
(8)	993 612 022 01	wiring harness NR. 22	/RL /RL /RL /RL	1	CARRERA CARRERA 4 TURBO CARRERA RS M 002
(8)	993 612 022 43	wiring harness NR. 22	/RL	1	CARRERA RS M 003
8A	993 612 021 40	cable battery battery main switch		1	CARRERA RS M 003
-	993 612 414 00	cable cover lower part		1	
-	993 612 415 00	cable cover upper part		1	

Model	Year	MG	SG	Illustration	Restrictions	Update	10:19	25.08.2006	PORSCHE	PET	PORSCHE
993	98	9	02	902-05		203					

Pos	Part Number	Name	Remarks	Qty	Model	Pos	Part Number	Name	Remarks	Qty	Model
-	999 591 839 40	plastic nut T 5		2		24	964 613 126 75	cap for battery main switch		1	CARRERA RS M 003
10	> 911 604 102 01	starter		1	M 64.06/08 M 64.22/24	25	964 613 911 71	bowden cable for battery main switch		1	CARRERA RS M 003
11	W 965 604 104 00	starter		1	M 64.05/07						
11	A 964 604 104 00	starter		1	M 64.05/07/ M 64.60/ M 64.20/ M 64.21/23	26	911 511 067 00	clamp		1	CARRERA RS M 003
11	996 604 107 00	starter		1	M 64.05/07/ M 64.60/ M 64.20/ M 64.21/23				- - - E N D - - -		
12	999 659 006 50	protection cap		1	M 193						
(12)	999 703 231 40	protection cap		2	CARRERA RS M 003						
13	900 377 010 09	hexagon nut M 6		1							
13	900 380 005 09	lock nut M 8		1							
14	N 011 524 7	washer A 6,4		1							
14	900 025 007 02	washer A 8,4		1							
15	900 067 124 02	hexagon socket head bolt M 10X35		2							
16	900 025 008 09	washer A 10,5		2							
17	901 104 382 02	nut		2							
18	900 031 005 02	washer 10,5		2							
19	993 612 609 02	ground cable		1							
20	> 964 603 156 01	generator		1							
21	928 603 142 00	regulator		1							
22	944 612 927 00	battery main switch		1	CARRERA RS M 003						
23	944 612 945 00	key		1	CARRERA RS M 003						

Model	Year	MG	SG	Illustration	Restrictions	Update	10:20	25.08.2006	PORSCHE	PET	PORSCHE
993	98	9	02	902-10		203					

		Pos	Part Number	Name	Remarks	Qty	Model
 				harnesses passenger compartment front trunk see workshop manual			
	1	993 612 011 01	wiring harness passenger compartment	/LL 94	1	COUPE M 480	
	1	993 612 011 02	wiring harness passenger compartment	/LL 95	1	COUPE M 480	
	1	993 612 011 04	wiring harness passenger compartment	/LL 96	1	COUPE/TARGA M 480	
	1	993 612 011 04	wiring harness passenger compartment	/LL 97-	1	COUPE/TARGA M 480	
	1	993 612 021 01	wiring harness passenger compartment	/RL 94	1	COUPE M 480	
	1	993 612 021 02	wiring harness passenger compartment	/RL 95	1	COUPE M 480	
	1	993 612 021 04	wiring harness passenger compartment	/RL 96	1	COUPE/TARGA M 480	
	1	993 612 021 04	wiring harness passenger compartment	/RL 97-	1	COUPE/TARGA M 480	
	1	993 612 013 01	wiring harness passenger compartment	/LL 94	1	COUPE M 249	
	1	993 612 013 02	wiring harness passenger compartment	/LL 95	1	COUPE M 249	
	1	993 612 013 04	wiring harness passenger compartment	/LL 96	1	COUPE/TARGA M 249	
	1	993 612 013 04	wiring harness passenger compartment	/LL 97-	1	COUPE/TARGA M 249	
	1	993 612 024 01	wiring harness passenger compartment	/RL 94	1	COUPE M 249	
	1	993 612 024 02	wiring harness passenger compartment	/RL 95	1	COUPE M 249	
	1	993 612 024 04	wiring harness passenger compartment	/RL 96	1	COUPE/TARGA M 249	
	1	993 612 024 04	wiring harness passenger compartment	/RL 97-	1	COUPE/TARGA M 249	
	1	993 612 012 01	wiring harness passenger compartment	/LL 94	1	CABRIO M 480	

Model	Year	MG	SG	Illustration	Restrictions	Update	10:20	25.08.2006	PORSCHE	PET	PORSCHE
993	98	9	02	902-10		203					

Pos	Part Number	Name	Remarks	Qty	Model	Pos	Part Number	Name	Remarks	Qty	Model
1	993 612 012 02	wiring harness passenger compartment	/LL 95	1	CABRIO M 480	1	993 612 016 05	wiring harness passenger compartment	/LL 98	1	TURBO
1	993 612 012 04	wiring harness passenger compartment	/LL 96	1	CABRIO M 480	1	993 612 026 02	wiring harness passenger compartment F >>99TS3 71089	/RL	1	TURBO
1	993 612 012 04	wiring harness passenger compartment	/LL 97-	1	CABRIO M 480	1	993 612 026 04	wiring harness passenger compartment F 99TS3 71090>>	/RL	1	TURBO
1	993 612 023 01	wiring harness passenger compartment	/RL 94	1	CABRIO M 480	1	993 612 026 04	wiring harness passenger compartment	/RL 97-	1	TURBO
1	993 612 023 02	wiring harness passenger compartment	/RL 95	1	CABRIO M 480	1	993 612 611 03	wiring harness passenger compartment	/LL	1	CARRERA RS
1	993 612 023 04	wiring harness passenger compartment	/RL 96	1	CABRIO M 480	1	993 612 027 03	wiring harness passenger compartment	/RL	1	CARRERA RS
1	993 612 023 04	wiring harness passenger compartment	/RL 97-	1	CABRIO M 480	-	993 612 903 03	wiring harness repair kit TIPTRONIC for wiring harness passenger compartment	94-	1	
1	993 612 014 01	wiring harness passenger compartment	/LL 94	1	CABRIO M 249	-	964 612 501 00	joint flange for wiring harness passenger compartment		1	
1	993 612 014 02	wiring harness passenger compartment	/LL 95	1	CABRIO M 249			harnesses front trunk			
1	993 612 014 04	wiring harness passenger compartment	/LL 96	1	CABRIO M 249			see technical information GR.9, NR. 4/95	96		
1	993 612 014 04	wiring harness passenger compartment	/LL 97-	1	CABRIO M 249	2	993 612 034 00	wiring harness front trunk	/LL 94	1	CARRERA 2
1	993 612 025 01	wiring harness passenger compartment	/RL 94	1	CABRIO M 249	2	993 612 034 01	wiring harness front trunk	/LL 95	1	CARRERA 2
1	993 612 025 02	wiring harness passenger compartment	/RL 95	1	CABRIO M 249	2	993 612 034 03	wiring harness front trunk	/LL 96	1	CARRERA 2
1	993 612 025 04	wiring harness passenger compartment	/RL 96	1	CABRIO M 249	2	993 612 034 06	wiring harness front trunk	/LL 97-	1	CARRERA 2
1	993 612 025 04	wiring harness passenger compartment	/RL 97-	1	CABRIO M 249	2	993 612 054 04	wiring harness front trunk	/LL 96	1	CARRERA 2 M 601
1	993 612 016 02	wiring harness passenger compartment F >>99TS3 71089 F 99TS3 71096 F 99TS3 71103 F 99TS3 71108	/LL	1	TURBO	2	993 612 054 06	wiring harness front trunk	/LL 97-	1	CARRERA 2 M 601
1	993 612 016 03	wiring harness passenger compartment F 99TS3 71090>>	/LL	1	TURBO	2	993 612 036 00	wiring harness front trunk	/RL 94	1	CARRERA 2
1	993 612 016 05	wiring harness passenger compartment	/LL 97	1	TURBO						

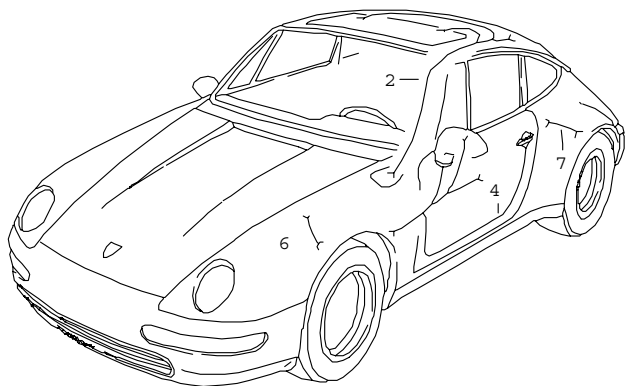
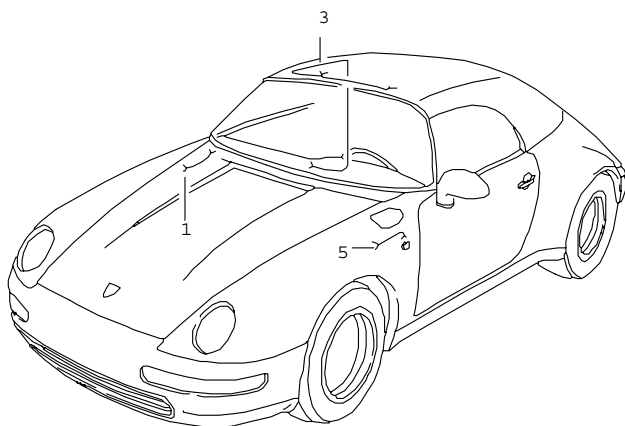
Model	Year	MG	SG	Illustration	Restrictions	Update	10:20	25.08.2006	PORSCHE	PET	PORSCHE
993	98	9	02	902-10		203					

Pos	Part Number	Name	Remarks	Qty	Model	Pos	Part Number	Name	Remarks	Qty	Model
2	993 612 036 01	wiring harness front trunk	/RL 95	1	CARRERA 2	2	993 612 037 06	wiring harness front trunk	/LL 97-	1	CARRERA 4
2	993 612 036 03	wiring harness front trunk	/RL 96	1	CARRERA 2	2	993 612 057 04	wiring harness front trunk	/LL 96	1	CARRERA 4 M 601
2	993 612 036 06	wiring harness front trunk	/RL 97-	1	CARRERA 2	2	993 612 057 06	wiring harness front trunk	/LL 97-	1	CARRERA 4 M 601
2	993 612 056 04	wiring harness front trunk	/RL 96	1	CARRERA 2 M 601	2	993 612 039 01	wiring harness front trunk	/RL 95	1	CARRERA 4
2	993 612 056 06	wiring harness front trunk	/RL 97-	1	CARRERA 2 M 601	2	993 612 039 03	wiring harness front trunk	/RL 96	1	CARRERA 4
2	993 612 031 00	wiring harness front trunk	/LL 94	1	CARRERA 2 M 224	2	993 612 039 06	wiring harness front trunk	/RL 97-	1	CARRERA 4
2	993 612 031 01	wiring harness front trunk	/LL 95	1	CARRERA 2 M 224	2	993 612 059 04	wiring harness front trunk	/RL 96	1	CARRERA 4 M 601
2	993 612 031 03	wiring harness front trunk	/LL 96	1	CARRERA 2 M 224	2	993 612 059 06	wiring harness front trunk	/RL 97-	1	CARRERA 4 M 601
2	993 612 031 06	wiring harness front trunk	/LL 97-	1	CARRERA 2 M 224	2	993 612 037 01	wiring harness front trunk F >>99TS3 71089	/LL	1	TURBO
2	993 612 051 04	wiring harness front trunk	/LL 96	1	CARRERA 2 M 224/601	2	993 612 037 03	wiring harness front trunk F 99TS3 71090>>	/LL -96	1	TURBO
2	993 612 051 06	wiring harness front trunk	/LL 97-	1	CARRERA 2 M 224/601	2	993 612 037 06	wiring harness front trunk	/LL 97-	1	TURBO
2	993 612 033 00	wiring harness front trunk	/RL 94	1	CARRERA 2 M 224	2	993 612 057 01	wiring harness front trunk F >>99TS3 71089	/LL	1	TURBO M 601
2	993 612 033 01	wiring harness front trunk	/RL 95	1	CARRERA 2 M 224	2	993 612 057 04	wiring harness front trunk F 99TS3 71090>>	/LL -96	1	TURBO M 601
2	993 612 033 03	wiring harness front trunk	/RL 96	1	CARRERA 2 M 224	2	993 612 057 06	wiring harness front trunk	/LL 97-	1	TURBO M 601
2	993 612 033 06	wiring harness front trunk	/RL 97-	1	CARRERA 2 M 224	2	993 612 039 01	wiring harness front trunk	/RL	1	TURBO
2	993 612 053 04	wiring harness front trunk	/RL 96	1	CARRERA 2 M 224/601	2	993 612 039 03	wiring harness front trunk F >>99TS3 71089	/RL -96	1	TURBO
2	993 612 053 06	wiring harness front trunk	/RL 97-	1	CARRERA 2 M 224/601	2	993 612 039 06	wiring harness front trunk	/RL 97-	1	TURBO
2	993 612 037 01	wiring harness front trunk	/LL 95	1	CARRERA 4						
2	993 612 037 03	wiring harness front trunk	/LL 96	1	CARRERA 4						

Model	Year	MG	SG	Illustration	Restrictions	Update	10:20	25.08.2006	PORSCHE	PET	PORSCHE
993	98	9	02	902-10		203					

Pos	Part Number	Name	Remarks	Qty	Model	Pos	Part Number	Name	Remarks	Qty	Model
2	993 612 059 01	wiring harness front trunk F >>99TS3 71089	/RL	1	TURBO M 601						
2	993 612 059 04	wiring harness front trunk F 99TS3 71090>>	/RL -96	1	TURBO M 601						
2	993 612 059 06	wiring harness	/RL 97-	1	TURBO M 601						
2	993 612 031 40	wiring harness front trunk	/LL	1	CARRERA RS M 002						
2	993 612 032 40	wiring harness front trunk	/LL	1	CARRERA RS M 003						
2	993 612 033 40	wiring harness front trunk	/RL	1	CARRERA RS M 002						
2	993 612 036 40	wiring harness front trunk	/RL	1	CARRERA RS M 003						
		- - - E N D - - -									

Model	Year	MG	SG	Illustration	Restrictions	Update	10:20	25.08.2006	PORSCHE	PET	PORSCHE
993	98	9	02	902-15		203					

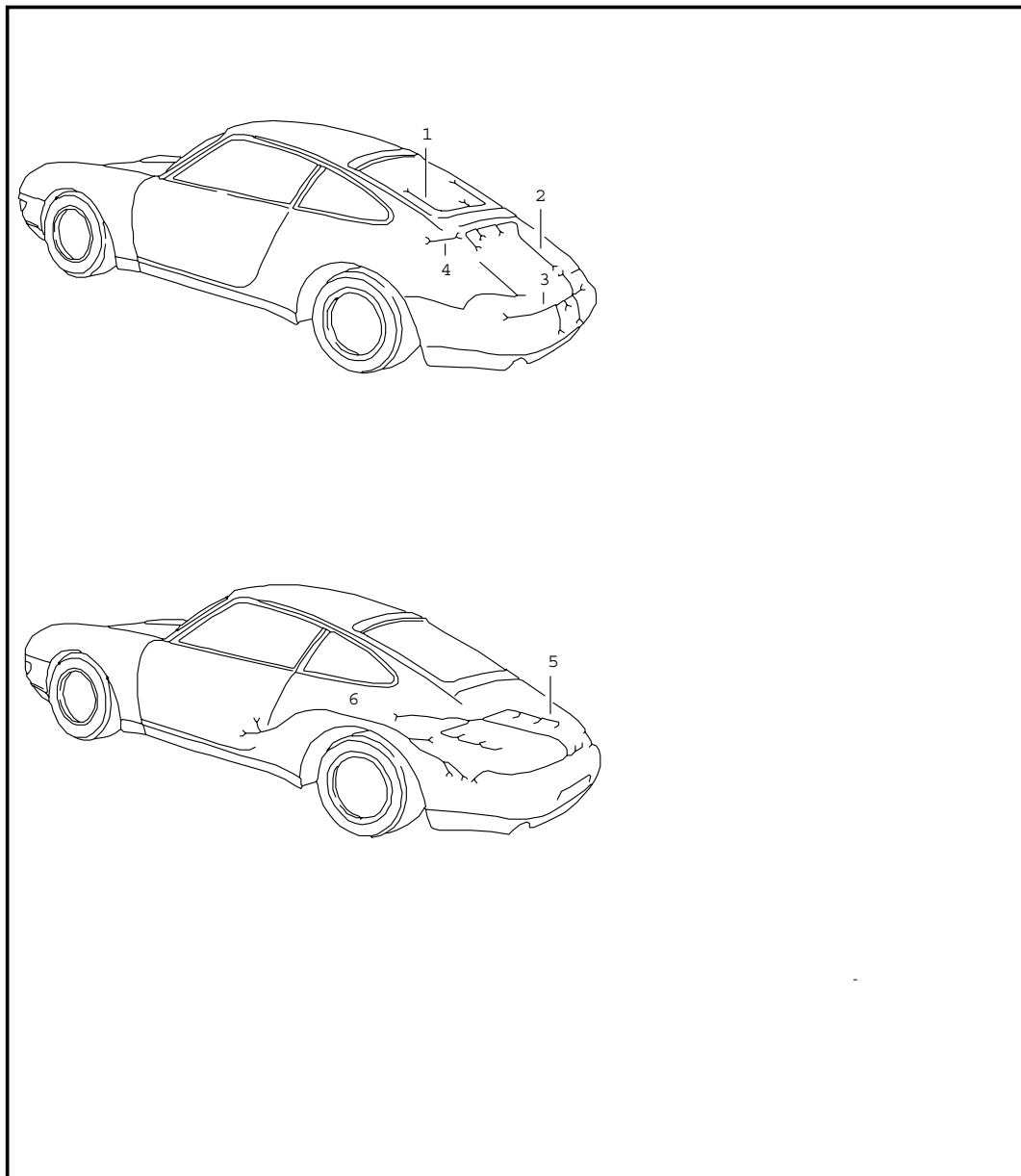


Pos	Part Number	Name	Remarks	Qty	Model
		harnesses luggage boot lamp sunroof folding top control driver's door passenger's door side turn signal anti-lock brake system			
1	993 612 044 00	wiring harness luggage boot lamp		1	
2	964 612 034 00	wiring harness NR.34 sunroof interior light F >>99TS3 71089	-95	1	M 650 TURBO
(2)	993 612 071 03	wiring harness NR.71 roof F 99TS3 71090>>	96-	1	M 650/520 TURBO
		use also:			
-	999 652 949 40	connector		1	
3	993 612 563 00	wiring harness NR.563 folding top control		1	
4	993 612 665 00	wiring harness driver's door	/LL 94	1	
4	993 612 665 04	wiring harness driver's door	/LL 95-	1	
4	993 612 665 02	wiring harness driver's door	/RL 94	1	
4	993 612 665 06	wiring harness driver's door	/RL 95-	1	
4	993 612 665 01	wiring harness driver's door	/LL 94	1	M 490
4	993 612 665 05	wiring harness driver's door	/LL 95-	1	M 490
4	993 612 665 03	wiring harness driver's door	/RL 94	1	M 490
4	993 612 665 07	wiring harness driver's door	/RL 95-	1	M 490
-	964 612 334 00	rubber sleeve		1	

Model	Year	MG	SG	Illustration	Restrictions	Update	10:20	25.08.2006	PORSCHE	PET	PORSCHE
993	98	9	02	902-15		203					

Pos	Part Number	Name	Remarks	Qty	Model	Pos	Part Number	Name	Remarks	Qty	Model
(4)	993 612 666 00	wiring harness passenger's door	94	1							
(4)	993 612 666 02	wiring harness passenger's door	95-	1							
(4)	993 612 666 01	wiring harness passenger's door	94	1	M 490						
(4)	993 612 666 03	wiring harness passenger's door	95-	1	M 490						
-	964 612 334 00	rubber sleeve		1							
5	911 612 177 02	wiring harness side turn signal	-96	2							
6	964 612 184 01	wiring harness anti-lock brake system brake pad wear indicator	/V	2							
7	993 612 185 00	wiring harness anti-lock brake system brake pad wear indicator use also:	/H	2							
-	964 612 984 00	assembly kit anti-lock brake system brake pad wear indicator		1							
		- - - E N D - - -									

Model	Year	MG	SG	Illustration	Restrictions	Update	10:20	25.08.2006	PORSCHE	PET	PORSCHE
993	98	9	02	902-20		203					

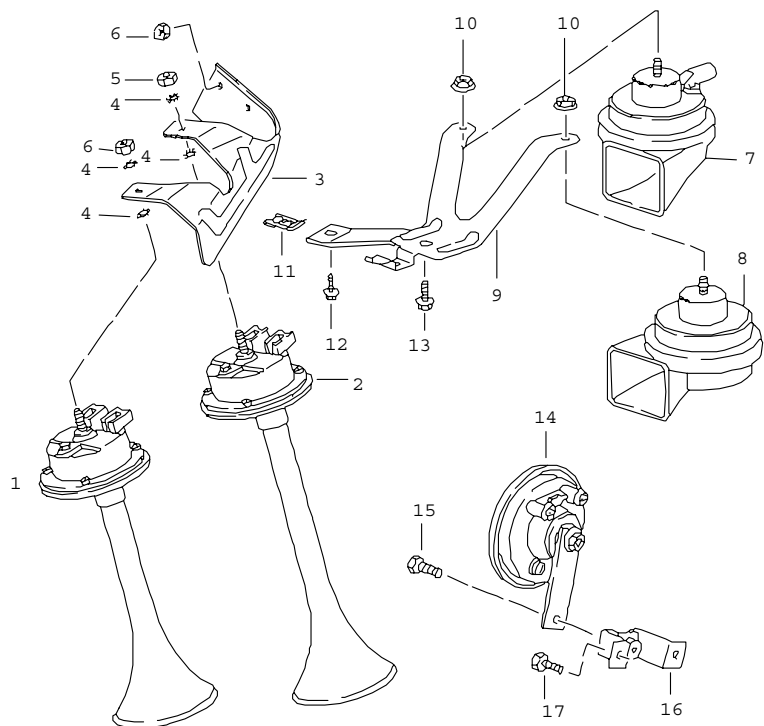


Pos	Part Number	Name	Remarks	Qty	Model
		harnesses rear end engine - dme -			
1	993 612 082 01	wiring harness NR.82 rear window heating	94	1	
2	993 612 049 02	wiring harness NR.49 rear lid		1	
-	993 612 803 01	cable holder hinge rear lid		X	
3	993 612 045 00	wiring harness rear light		1	
3	993 612 045 01	wiring harness rear light		1	M 576
-	964 612 620 00	cap license plate light		2	
4	964 612 110 01	ground strap rear lid		1	
5	993 607 016 14	wiring harness NR.16 engine	94	1	M 64.05/06
5	993 607 016 04	wiring harness NR.16 engine	95	1	M 64.05/06
5	993 607 016 14	wiring harness NR. 16 engine	96-	1	M 64.21/22
5	993 607 016 13	wiring harness NR.16 engine		1	M 64.20
5	993 607 016 10	wiring harness NR.16 engine M >> 61T 02071		1	M 64.60
5	993 607 016 12	wiring harness NR. 16 engine M 61T 02072 >>		1	M 64.60
6	993 612 173 13	wiring harness NR.173 - dme -	94	1	

Model	Year	MG	SG	Illustration	Restrictions	Update	10:20	25.08.2006	PORSCHE	PET	PORSCHE
993	98	9	02	902-20		203					

Pos	Part Number	Name	Remarks	Qty	Model	Pos	Part Number	Name	Remarks	Qty	Model
6	993 612 173 26	wiring harness NR.173 - dme -	95	1		6	993 612 173 18	wiring harness NR.173 - dme - F >>99TS3 71089		1	TURBO M 150
6	993 612 173 32	wiring harness NR. 173 - dme -	96-	1		-	928 612 567 00	plug socket connection point X 60		1	
6	993 612 173 40	wiring harness NR.173 - dme - F >>99SS3 90207 F >>99TS3 90640		1	CARRERA RS	-	999 652 654 22	connector connection point X 60		X	
6	993 612 173 43	wiring harness NR. 173 F >>99SS3 90208 F >>99TS3 90641		1	CARRERA RS	-	944 606 212 00	potentiometer		1	M 150
6	993 612 173 17	wiring harness NR.173 - dme - F >>99TS3 71089		1	TURBO	-	944 612 492 00	coding plug	94	1	M 150
6	993 612 173 19	wiring harness NR.173 - dme - F 99TS3 71090>>		1	TURBO						
6	993 612 173 16	wiring harness NR.173 - dme -	94	1	M 530						
6	993 612 173 15	wiring harness NR.173 - dme -	94	1	M 150						
6	993 612 173 28	wiring harness NR.173 - dme -	95	1	M 150						
6	993 612 173 34	wiring harness NR. 173 - dme -	96-	1	M 150						
6	993 612 173 41	wiring harness NR.173 - dme - F >>99SS3 90207 F >>99TS3 90640		1	CARRERA RS M 150						
6	993 612 173 44	wiring harness NR.173 - dme - F >>99SS3 90208 F >>99TS3 90641		1	CARRERA RS M 150						

Model	Year	MG	SG	Illustration	Restrictions	Update	10:20	25.08.2006	PORSCHE	PET	PORSCHE
993	98	9	03	903-00		203					

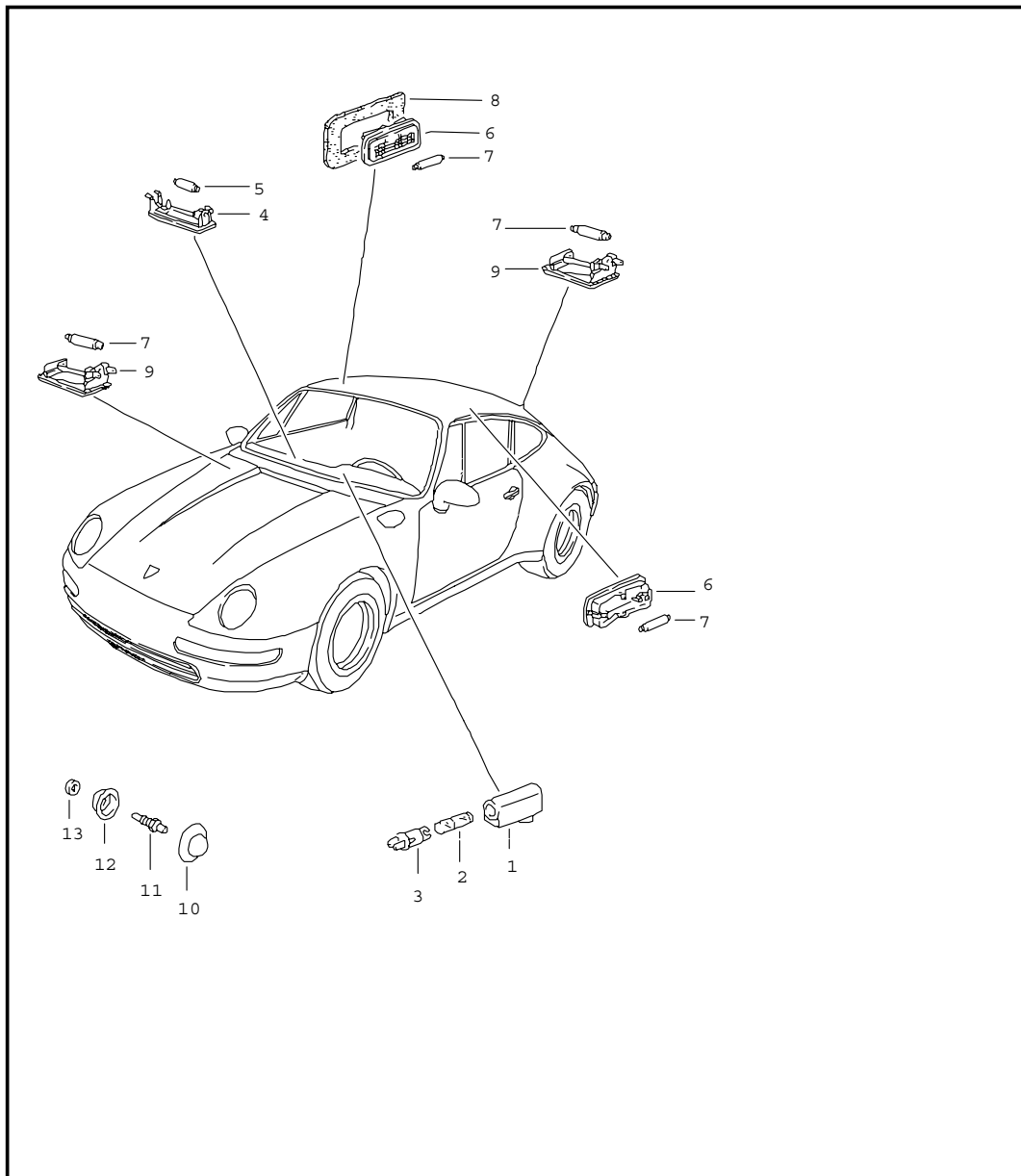


Pos	Part Number	Name	Remarks	Qty	Model
1	911 635 101 20	fanfare horn fanfare high-pitched		1	
2	911 635 102 20	fanfare low-pitched		1 1	
3	993 635 103 00	support		1	
4	N 042 121 3	shake-proof washer A 6,4		4	
5	900 076 010 02	hexagon nut M 6		2	
6	900 377 010 09	hexagon nut M 6		4	
7	993 635 206 00	fanfare high-pitched	96-	1	
8	993 635 205 00	fanfare low-pitched	96-	1	
-	999 650 490 40	plug socket	96-	2	
-	999 650 126 40	gasket for 999.652.912.40	96-	4	
-	999 650 135 22	contact bush for 999.652.912.40	96-	4	
9	993 635 150 00	support	96-	1	
10	900 380 015 09	hexagon nut M 6	96-	2	
11	999 507 034 02	speed nut B 6,3	96-	1	
12	900 187 111 02	screw BZ 6,3 X 12	96-	1	
13	900 075 364 02	screw M 8 X 16	96-	1	
14	964 637 117 00	horn for alarm system		1	
15	900 075 078 02	hexagon-head bolt M 8 X 15		1	
16	993 637 101 00	support		1	

Model	Year	MG	SG	Illustration	Restrictions	Update	10:20	25.08.2006	PORSCHE	PET	PORSCHE
993	98	9	03	903-00		203					

Pos	Part Number	Name	Remarks	Qty	Model	Pos	Part Number	Name	Remarks	Qty	Model
17	900 075 393 02	hexagon-head bolt M 6 X 12 Z1 SB - - - E N D - - -		2							

Model	Year	MG	SG	Illustration	Restrictions	Update	10:21	25.08.2006	PORSCHE	PET	PORSCHE
993	98	9	03	903-04		203					

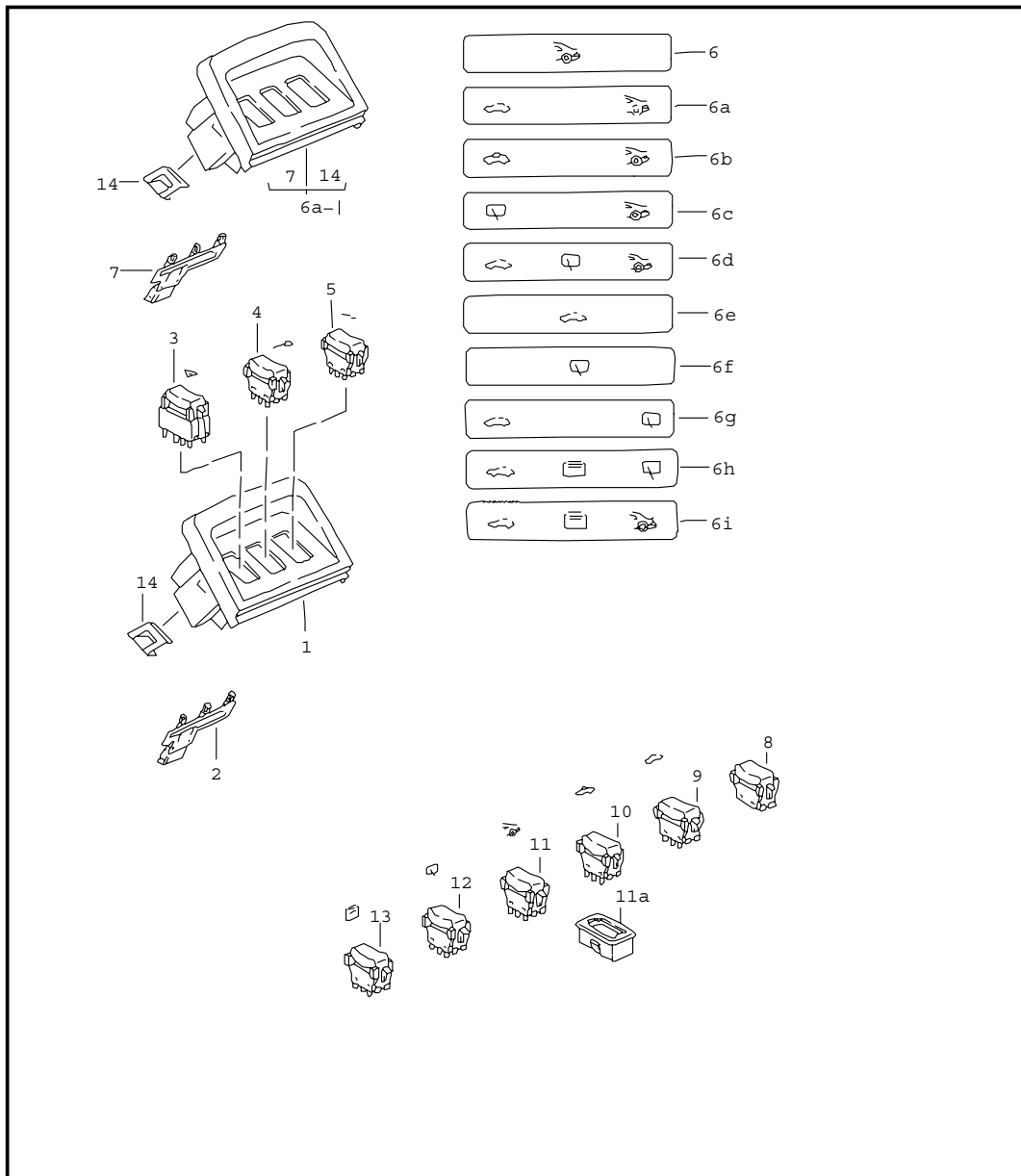


Pos	Part Number	Name	Remarks	Qty	Model
		interior lights luggage boot lamp engine compartment lamp			
1	964 632 113 01	bulb holder illumination ashtray ignition starter lock		1	
2	900 631 132 90	bulb 1,2 W		1	
3	999 632 014 00	bulb holder 2-pole		1	
4	928 632 101 00	glove compartment light		1	
5	999 631 018 90	linolite lamp 3 W		1	
6	911 632 102 00	light		1	CABRIO/TARGA
		70A black			
6	901 632 101 28	interior light		2	COUPE
(6)	993 618 270 00	control unit	96-	1	M 520
		01C satin black with interior light			
-	999 631 132 90	bulb	96-	1	M 520
7	900 631 106 90	linolite lamp 10 W		X	
8	964 555 153 00	desk pad		2	COUPE
9	A 959 632 201 00	luggage boot lamp		2	
9	997 632 201 00	luggage boot lamp		2	
10	W 901 615 616 20	rubber cap		2	
11	W 964 613 601 00	door contact switch		2	
11	993 613 601 00	door contact switch use also:		2	
10	993 613 602 00	rubber cap		2	
(11)	964 613 602 00	contact switch glove compartment light rear luggage dump		X 1 2	

Model	Year	MG	SG	Illustration	Restrictions	Update	10:21	25.08.2006	PORSCHE	PET	PORSCHE
993	98	9	03	903-04		203					

Pos	Part Number	Name	Remarks	Qty	Model	Pos	Part Number	Name	Remarks	Qty	Model
(11)	964 613 431 00	microswitch luggage boot lamp engine compartment lamp		X 1 1							
12	901 615 615 20	concave washer		2							
13	900 031 001 60	washer 8,4		2							
		- - - E N D - - -									

Model	Year	MG	SG	Illustration	Restrictions	Update	10:21	25.08.2006	PORSCHE	PET	PORSCHE
993	98	9	03	903-05		203					

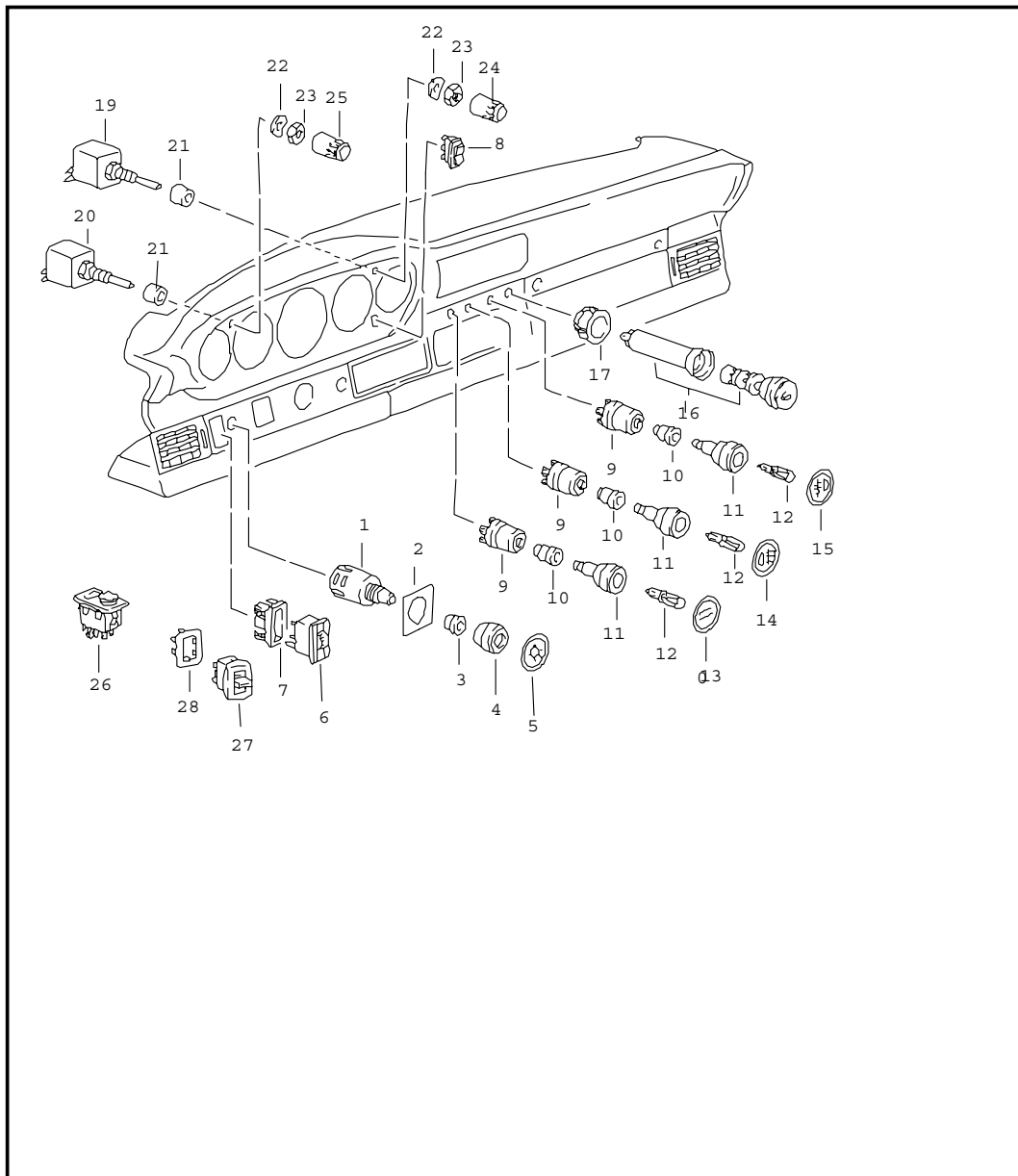


Pos	Part Number	Name	Remarks	Qty	Model
		cover switch centre console			
1	964 552 135 01	cover		1	
		1DB black			
2	964 632 130 01	combined lights		1	
3	944 613 235 01	hazard warning light sw.		1	
		N05 red			
4	951 613 147 00	switch		1	
		01C satin black door latch			
5	964 613 202 00	rocker switch		1	
		01C satin black central indicator			
6	993 632 071 10	cover		1	
6A	993 632 071 11	cover		1	M 650
6B	993 632 071 12	cover		1	M 439
6C	993 632 071 13	cover		1	M 425
6D	993 632 071 14	cover		1	M 425/650
6E	993 632 071 15	cover		1	TURBO M 650
6F	993 632 071 17	cover		1	TURBO M 425
6G	993 632 071 18	cover		1	TURBO M 425/650
6H	993 632 071 19	cover		1	TARGA M 425
6I	993 632 071 20	cover		1	TARGA
7	993 632 062 03	combined lights		1	
8	993 613 523 00	switch display specimen		X	
		01C satin black			
9	993 613 120 00	switch		1	M 650
		01C satin black sunroof			TARGA
10	993 613 121 00	switch		1	M 439

Model	Year	MG	SG	Illustration	Restrictions	Update	10:21	25.08.2006	PORSCHE	PET	PORSCHE
993	98	9	03	903-05		203					

Pos	Part Number	Name	Remarks	Qty	Model	Pos	Part Number	Name	Remarks	Qty	Model
	01C	satin black folding top control									
11	993 613 203 00	switch		1							
	01C	satin black rear spoiler									
11A	911 613 615 01	retaining frame		1	TARGA M 425						
	1DB	black cover parking-brake lever see group 8/09/15 POS.9			TARGA M 425						
12	993 613 129 01	switch		1	M 425						
	01C	satin black rear window wiper									
13	993 613 204 00	switch		1	TARGA						
	01C	satin black shade									
14	944 552 557 00	spring clamp		4							
		- - - E N D - - -									

Model	Year	MG	SG	Illustration	Restrictions	Update	10:21	25.08.2006	PORSCHE	PET	PORSCHE
993	98	9	03	903-06		203					

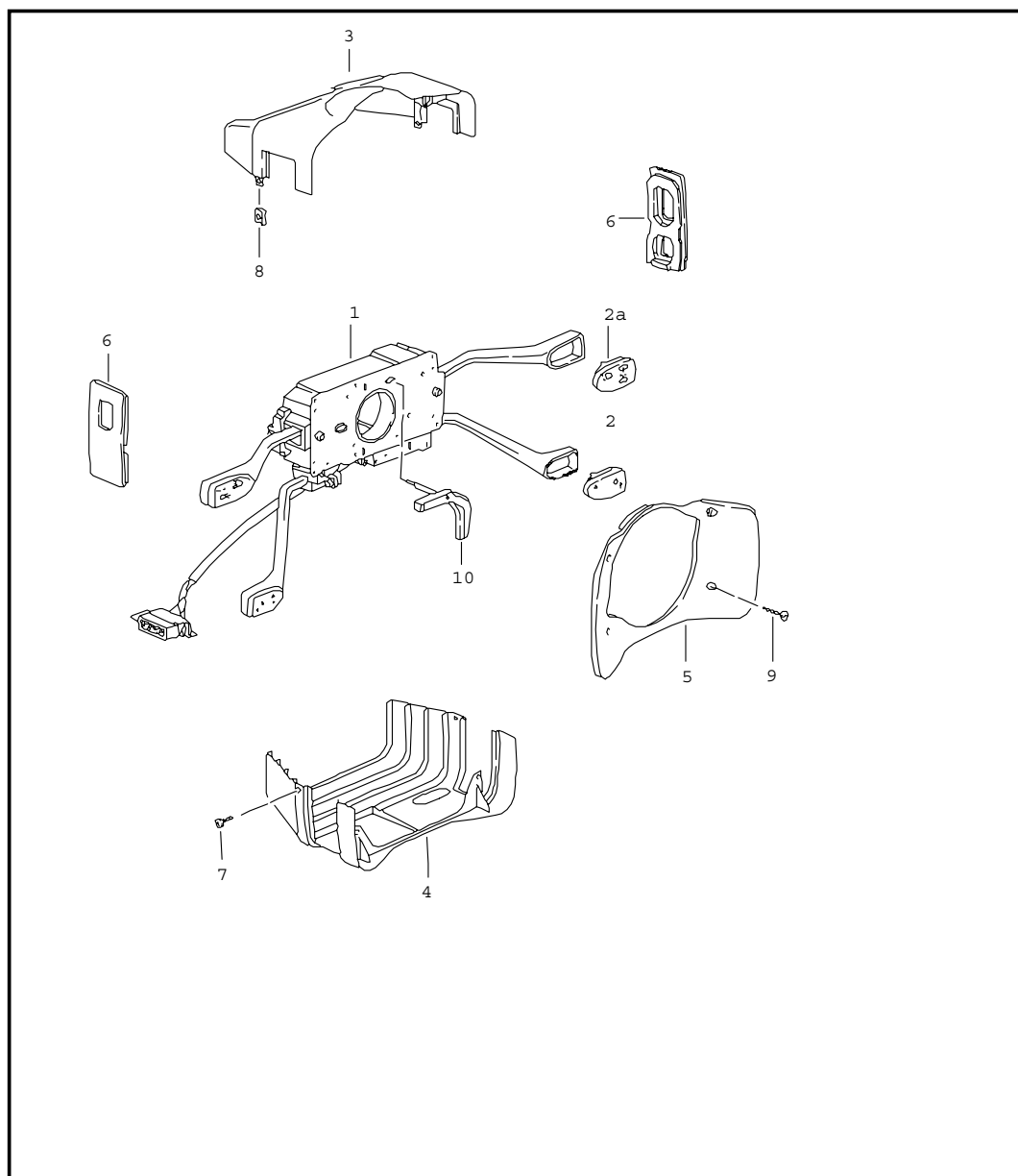


Pos	Part Number	Name	Remarks	Qty	Model
		switch			
1	993 613 531 00	light switch		1	
2	964 613 145 00	washer		1	
3	964 613 535 00	rose		1	
		01C satin black			
4	993 613 055 00	knob		1	
		01C satin black			
5	993 613 250 00	cap with symbol light switch		1	
6	993 613 230 00	switch		1	M 605
		01C satin black headlight levelling system			
7	993 613 342 00	rose		1	M 605
		01C satin black			
8	993 613 325 01	tip switch		1	
		01C satin black for clock			
9	964 613 149 00	switch	94	3	
9	964 613 149 00	switch	95-	3	CABRIO
9	964 613 149 00	switch	95-	2	COUPE
9	993 613 149 00	tip switch rear window heating	95-	1	COUPE
10	911 613 213 03	rose		3	
11	911 613 028 10	knob		3	
		01C satin black			
12	900 631 132 90	bulb 1,2 W		3	
13	993 613 253 00	cap with symbol rear window heating		1	
(13)	993 613 254 00	cap with symbol door mirror heatable		1	CABRIO

Model	Year	MG	SG	Illustration	Restrictions	Update	10:21	25.08.2006	PORSCHE	PET	PORSCHE
993	98	9	03	903-06		203					

Pos	Part Number	Name	Remarks	Qty	Model	Pos	Part Number	Name	Remarks	Qty	Model
14	993 613 251 00	cap with symbol fog headlamp		1							
15	993 613 252 00	cap with symbol rear fog light		1							
16	993 652 307 00	cigarette lighter		1							
	01C	satin black									
17	964 652 103 00	retaining ring		1							
	01C	satin black									
19	964 618 147 00	potentiometer wipe interval		1							
20	964 618 104 00	potentiometer instruments illumination		1							
21	911 618 207 00	spacer sleeve		2							
22	900 028 019 01	spring washer		2							
23	911 618 209 00	hexagon nut M 7 X 0,75		2							
24	964 618 014 00	knob		1							
	01C	satin black									
25	964 618 012 00	knob		1							
	01C	satin black									
26	993 613 241 00	switch		1							
	01C	satin black for door mirror									
27	964 613 621 00	switch		3							
	01C	satin black for window opener									
28	911 613 635 20	wiper frame		3							
		- - - E N D - - -									

Model	Year	MG	SG	Illustration	Restrictions	Update	10:21	25.08.2006	PORSCHE	PET	PORSCHE
993	98	9	03	903-10		203					

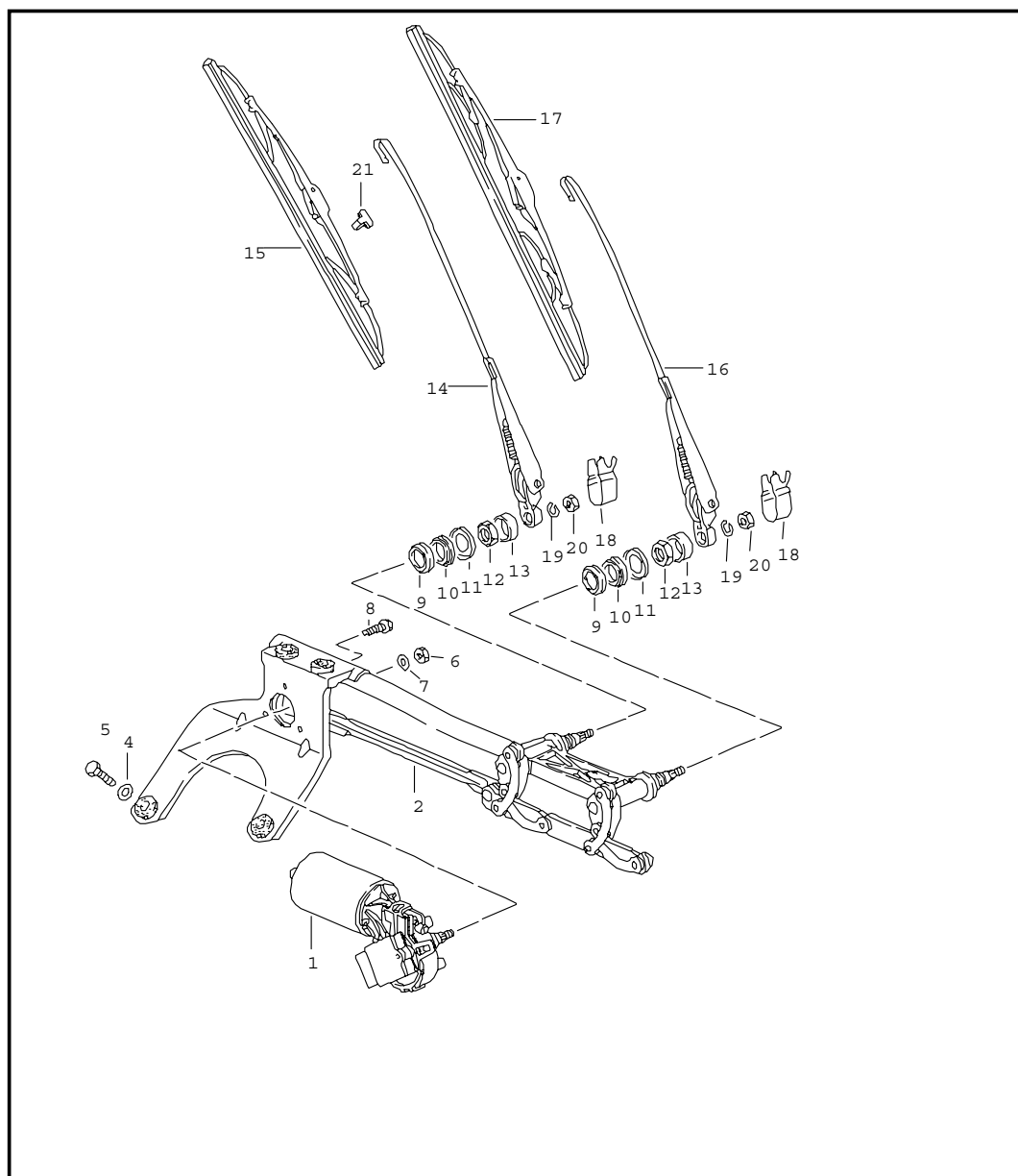


Pos	Part Number	Name	Remarks	Qty	Model
1	993 613 354 00	steering column switch		1	M 288/659/
	01C	satin black			M 454
1	993 613 353 00	steering column switch		1	M 288/454
	01C	satin black			
1	993 613 352 00	steering column switch		1	M 288/659
	01C	satin black			
1	993 613 351 00	steering column switch		1	M 288
	01C	satin black			
		when required order also:			
2	993 613 504 00	cap with symbol		1	M 454
	01C	satin black german			
2	993 613 505 00	cap with symbol		1	M 454
	01C	satin black english			
2	993 613 506 00	cap with symbol		1	M 454
	01C	satin black french			
		when required order also:			
2A	993 613 507 00	cap with symbol		1	
	01C	satin black for cars with headlight washer system			
(2A)	993 613 508 00	cap with symbol		1	
	01C	satin black for cars without headlight washer system			
3	993 552 273 00	switch housing		1	
	01C	satin black			
(3)	964 552 273 00	switch housing		1	CARRERA RS
	01C	satin black			M 564
(3)	964 552 273 01	switch housing		1	CARRERA RS

Model	Year	MG	SG	Illustration	Restrictions	Update	10:21	25.08.2006	PORSCHE	PET	PORSCHE
993	98	9	03	903-10		203					

Pos	Part Number	Name	Remarks	Qty	Model	Pos	Part Number	Name	Remarks	Qty	Model
		01C satin black			M 561						
4	993 552 275 00	switch housing		1							
		01C satin black									
(4)	964 552 275 00	switch housing		1	CARRERA RS						
		01C satin black			M 564						
(4)	964 552 275 02	switch housing		1	CARRERA RS						
		01C satin black			M 561						
5	993 552 277 00	cover		1							
		01C satin black									
6	993 552 573 00	cover		X							
		01C satin black									
				1	M 454						
				1	M 659						
(6)	993 552 573 01	cover		X							
		01C satin black									
					M 454/659						
					M 454						
					M 659						
7	900 143 002 07	tapping screw B 2,9 X 9,5		2							
8	999 591 888 02	speed nut B 2,9		2							
9	900 143 072 02	oval-head sheetmetal screw B 3,5 X 19		4							
(9)	N 013 957 5	tapping screw B 3,5 X 9,5		3	CARRERA RS M 564						
(9)	900 143 072 02	oval-head sheetmetal screw B 3,5 X 19		4	CARRERA RS M 561						
10	964 652 104 00	plate		1	CARRERA RS M 564						
		- - - E N D - - -									

Model	Year	MG	SG	Illustration	Restrictions	Update	10:22	25.08.2006	PORSCHE	PET	PORSCHE
993	98	9	04	904-00		203					

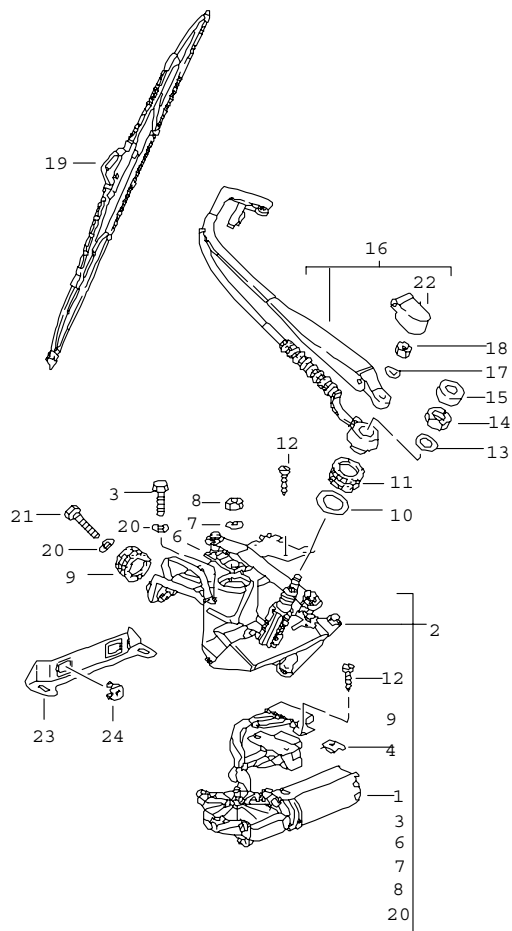


Pos	Part Number	Name	Remarks	Qty	Model
		windscreen wiper system			
1	993 624 105 00	wiper motor	/LL	1	
1	993 624 106 00	wiper motor	/RL	1	
2	993 628 935 00	crank drive	/LL	1	
2	993 628 936 00	crank drive	/RL	1	
4	900 151 006 09	washer A 6,4		3	
5	900 075 425 02	hexagon-head bolt M 6 X 22		3	
6	900 076 025 02	nut		1	
7	803 955 437	washer		1	
8	999 217 164 02	hexagon-head bolt M 6 X 15		3	
9	944 628 129 00	rubber bush		2	
10	944 628 128 00	rubber bush		2	
11	993 628 125 00	washer		2	
12	999 034 029 07	hexagon nut M 18 X 1		2	
13	993 628 339 00	cap		2	
14	993 628 028 01	wiper arm	/LL/L	1	
14	993 628 028 03	wiper arm	/RL/L	1	
15	A 993 628 038 00	wiper blade	/LL/L	1	
15	A 993 628 038 00	wiper blade	/RL/R	1	
(15)	A 000 043 204 52	wiper blade		1	
(15)	993 628 901 00	wiper blade set driver's side passenger's side		1	
16	993 628 028 02	wiper arm	/LL/R	1	
16	993 628 028 01	wiper arm	/RL/R	1	
17	993 628 038 01	wiper blade	/LL/R	1	
17	993 628 038 01	wiper blade	/RL/L	1	
(17)	A 000 043 204 52	wiper blade		1	

Model	Year	MG	SG	Illustration	Restrictions	Update	10:22	25.08.2006	PORSCHE	PET	PORSCHE
993	98	9	04	904-00		203					

Pos	Part Number	Name	Remarks	Qty	Model	Pos	Part Number	Name	Remarks	Qty	Model
(17)	993 628 901 00	wiper blade set driver's side passenger's side		1							
18	993 628 305 00	cap		2							
19	803 955 437	washer		2							
20	900 076 025 02	hexagon nut M 8		2							
21	993 628 239 01	rubber buffer		1							
		- - - E N D - - -									

Model	Year	MG	SG	Illustration	Restrictions	Update	10:22	25.08.2006	PORSCHE	PET	PORSCHE
993	98	9	04	904-05		203					

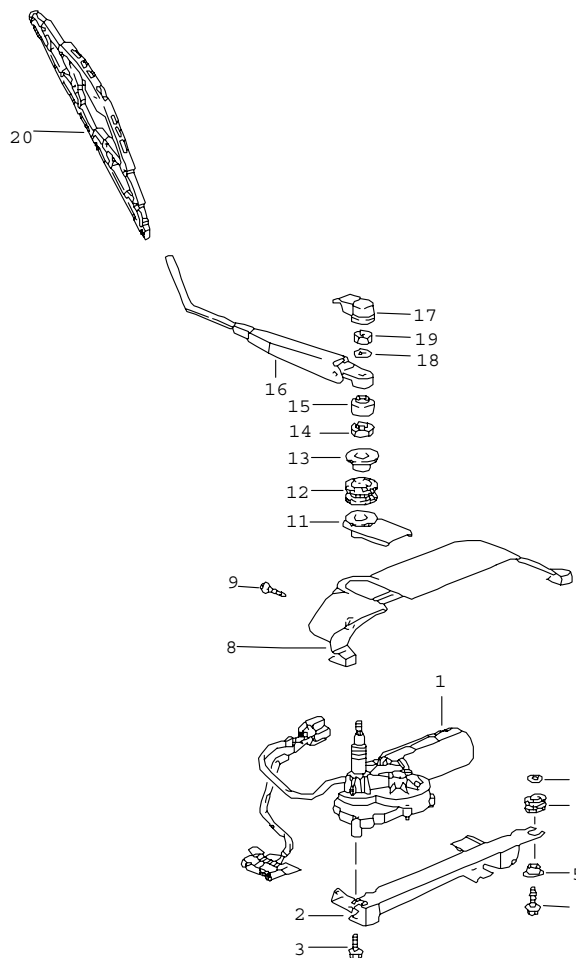


Pos	Part Number	Name	Remarks	Qty	Model
		rear window wiper			COUPE
1	964 628 120 00	wiper motor		1	
2	964 628 087 00	wiper frame with engine		1	
3	999 217 164 02	hexagon-head bolt M 6 X 15		3	
4	477 807 191	speed nut B 4,2		2	
5	900 143 031 02	oval-head sheetmetal screw		3	
6	964 628 160 00	lever		1	
7	N 012 226 5	spring washer		1	
8	900 076 010 02	hexagon nut M 6		2	
9	964 628 273 00	bush		2	
10	964 628 337 01	washer		1	
11	964 628 270 01	rubber bush		1	
12	900 143 031 02	oval-head sheetmetal screw		3	
13	964 628 336 00	washer		1	
14	911 628 825 00	hexagon nut		1	
15	964 628 339 00	cap		1	
16	993 628 032 00	wiper arm		1	
17	803 955 437	washer		1	
18	N 011 118 11	hexagon nut		1	
19	993 628 039 01	wiper blade		1	
20	N 011 666 7	washer A 6,4		2	
21	900 075 017 02	hexagon-head bolt M 6 X 25		2	
22	928 628 623 01	cap		1	
23	964 628 328 01	retaining bracket		1	
24	999 507 332 02	captive nut		2	

Model	Year	MG	SG	Illustration	Restrictions	Update	10:22	25.08.2006	PORSCHE	PET	PORSCHE
993	98	9	04	904-05		203					

Pos	Part Number	Name	Remarks	Qty	Model	Pos	Part Number	Name	Remarks	Qty	Model
-	944 612 552 00	connector housing 6-pole wiring harness		1							
-	999 652 762 22	contact bush		6							
-	944 612 551 00	connector housing 6-pole wiper motor		1							
-	944 612 546 00	contact pin		6							
		- - - E N D - - -									

Model	Year	MG	SG	Illustration	Restrictions	Update	10:22	25.08.2006	PORSCHE	PET	PORSCHE
993	98	9	04	904-06		203					

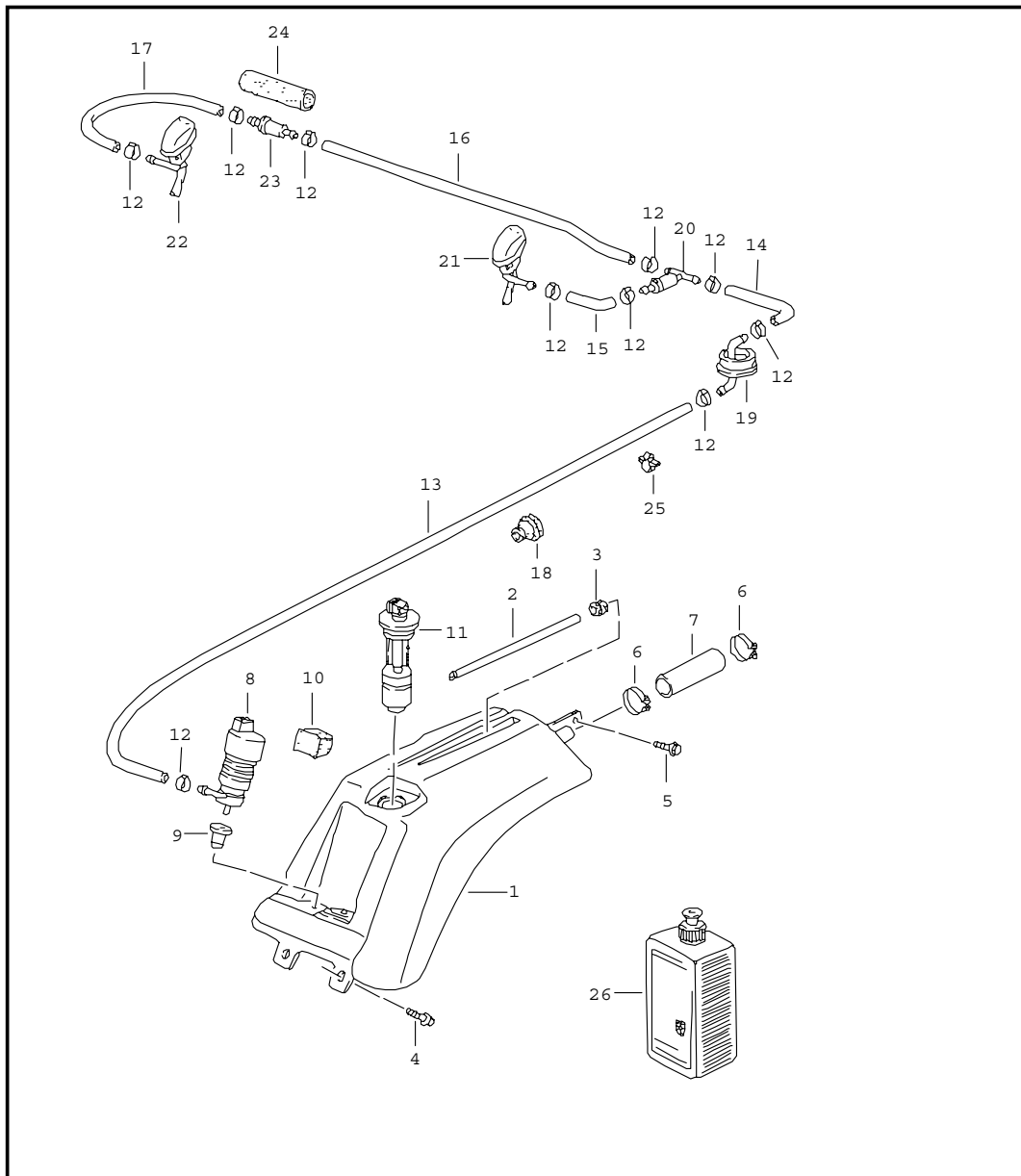


Pos	Part Number	Name	Remarks	Qty	Model
		rear window wiper			TARGA
1	993 628 120 00	wiper motor		1	
2	993 628 280 00	retaining frame wiper motor		1	
3	999 217 164 02	hexagon-head bolt M 6 X 15		2	
4	964 628 273 00	rubber bush		2	
5	964 628 253 00	bush		2	
6	900 151 006 09	washer A 6,4		2	
7	900 075 333 02	screw M 6 X 25 Z2		2	
8	993 628 137 00	cover		1	
		01C satin black			
9	N 013 965 9	oval-head sheetmetal screw 4,2 X 9,5		2	
11	993 628 127 00	bush	96	1	
		01C satin black lower			
11	993 628 127 01	bush	97	1	
		01C satin black lower			
12	964 628 270 01	rubber bush		1	
13	993 628 408 00	bush	96	1	
13	993 628 408 01	bush upper	97	1	
14	911 628 825 00	hexagon nut		1	
15	993 628 339 01	cap		1	
16	993 628 029 00	wiper arm		1	
17	993 628 305 00	cap		1	
18	803 955 437	washer		1	
19	900 076 025 02	hexagon nut		1	
20	996 628 041 00	wiper blade		1	

Model	Year	MG	SG	Illustration	Restrictions	Update	10:22	25.08.2006	PORSCHE	PET	PORSCHE
993	98	9	04	904-06		203					

Pos	Part Number	Name	Remarks	Qty	Model	Pos	Part Number	Name	Remarks	Qty	Model
		- - - E N D - - -									

Model	Year	MG	SG	Illustration	Restrictions	Update	10:23	25.08.2006	PORSCHE	PET	PORSCHE
993	98	9	04	904-10		203					

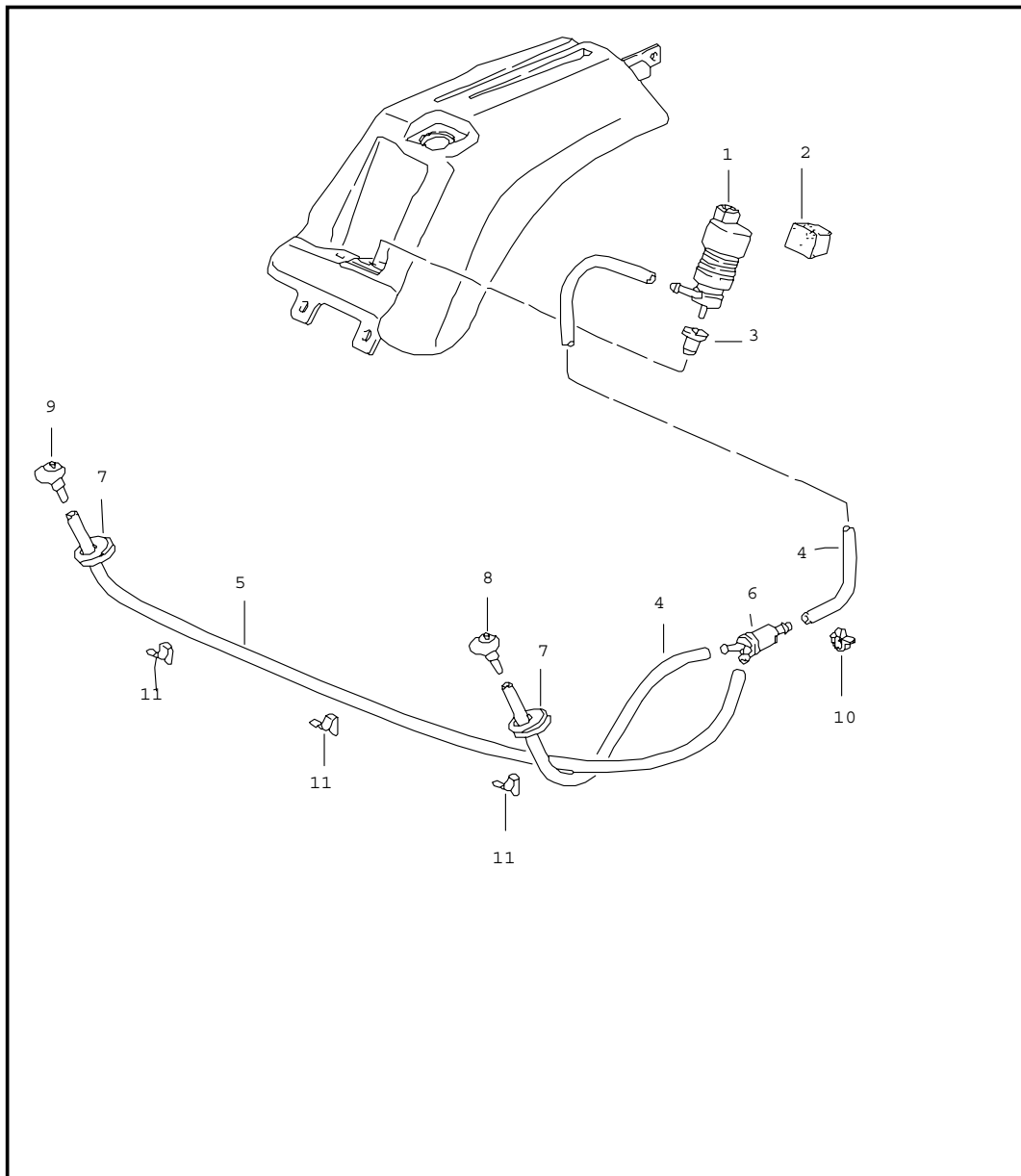


Pos	Part Number	Name	Remarks	Qty	Model
		windscreen washer system			
1	993 528 175 01	water reservoir		1	
(1)	964 528 019 02	water reservoir		1	CARRERA RS
-	911 628 077 00	threaded cover for water reservoir		1	CARRERA RS
2	964 528 575 00	vent hose		1	
3	999 702 173 50	rubber sleeve		1	
4	999 450 007 02	screw M 6 X 19		2	
5	900 075 413 09	screw M 6 X 16		1	
5	900 075 355 02	screw M 6 X 16 Z1		1	CARRERA RS
6	N 024 147 1	hose clamp		2	
7	900 922 007 40	hose		1	
8	993 624 372 00	pump	-96	1	
8	996 628 172 00	pump	97-	1	
-	999 650 190 40	connector housing	97-	1	
-	999 652 871 22	connector	97-	2	
-	999 704 161 40	gasket	97-	2	
9	431 955 465 B	gasket		1	
10	993 628 213 00	spacer		1	
11	964 628 185 00	tank gauge		1	
12	N 100 020 01	clamp		10	
-	999 181 722 40	hose 4,6 X 1,8		*	
13	-	1650 MM		1	
13	-	2950 MM		1	CARRERA RS
14	-	60 MM		1	
15	-	140 MM		1	
16	-	660 MM		1	

Model	Year	MG	SG	Illustration	Restrictions	Update	10:23	25.08.2006	PORSCHE	PET	PORSCHE
993	98	9	04	904-10		203					

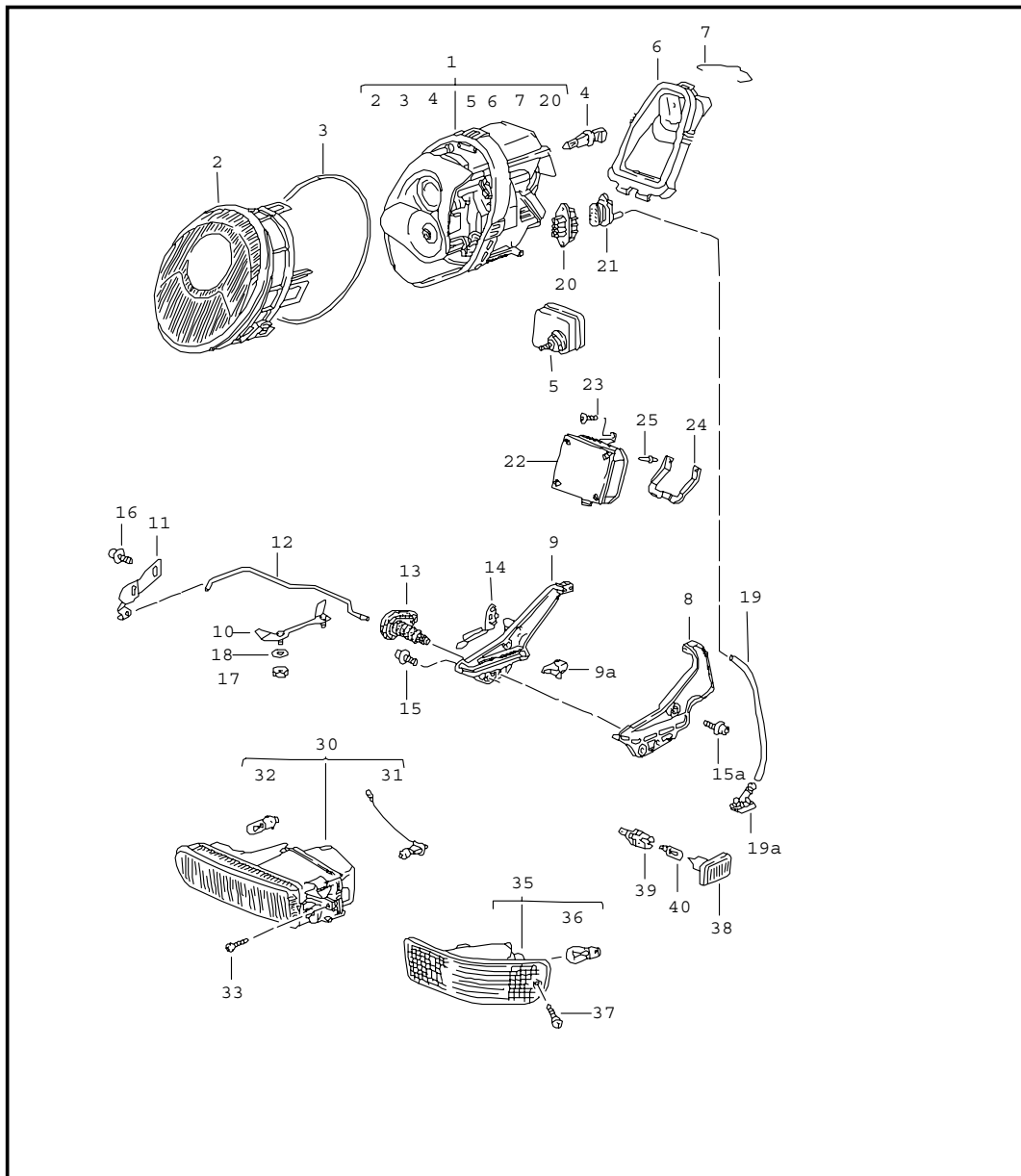
Pos	Part Number	Name	Remarks	Qty	Model	Pos	Part Number	Name	Remarks	Qty	Model
17	-	190 MM		1							
18	911 612 413 00	rubber sleeve		1							
19	928 628 073 00	cap		1							
20	914 628 433 00	valve		1							
21	993 628 077 00	nozzle	/L	1							
	01C	black									
22	993 628 077 01	nozzle	/R	1							
	01C	black									
23	914 628 215 00	valve		1							
24	928 612 636 01	protective tube		1							
25	113 142 261 A	clip		2							
26	999 901 017 41	window cleaner 250 ML summer		X							
26	999 901 033 40	window cleaner 1000 ML winter		X							
		- - - E N D - - -									

Model	Year	MG	SG	Illustration	Restrictions	Update	10:25	25.08.2006	PORSCHE	PET	PORSCHE
993	98	9	04	904-20		203					



Pos	Part Number	Name	Remarks	Qty	Model
		headlight washer system			M 288
1	993 624 502 00	pump		1	
2	993 628 213 00	spacer		1	
3	928 628 193 00	gasket		1	
-	000 043 204 79	hose 8 X 3		*	
4	-	310 MM		2	
5	-	1420 MM		1	
6	993 628 073 00	valve		1	
7	999 702 201 50	grommet		2	
8	993 628 072 00	nozzle	/L	1	
		01C black			
9	993 628 071 00	nozzle	/R	1	
		01C black			
10	321 971 847 B	clip		1	
11	999 651 230 02	support		3	
		- - - E N D - - -			

Model	Year	MG	SG	Illustration	Restrictions	Update	10:25	25.08.2006	PORSCHE	PET	PORSCHE
993	98	9	05	905-00		203					



Pos	Part Number	Name	Remarks	Qty	Model
		headlamp fog headlamp direction indicator light side turn signal see technical information GR.9, NR. 1/99			
1	993 631 031 00	headlamp	/L	1	
1	A 993 631 031 01	headlamp LITRONIC 2.0	/L 96	1	M 601
(1)	993 631 931 01	headlamp LITRONIC 2.0 without ignition control unit see technical information GR.9 , NR.1/04	/L 96	1	M 601
1	993 631 031 02	headlamp LITRONIC 2.1	/L 97-	1	M 601
1	993 631 032 00	headlamp	/R	1	
1	A 993 631 032 01	headlamp LITRONIC 2.0	/R 96	1	M 601
(1)	993 631 932 01	headlamp LITRONIC 2.0 without ignition control unit see technical information GR.9 , NR.1/04	/R 96	1	M 601
1	993 631 032 02	headlamp LITRONIC 2.1	/R 97-	1	M 601
1	993 631 021 00	headlamp	/L	1	M 492
1	A 993 631 021 01	headlamp LITRONIC 2.0	/L 96	1	M 492/601
(1)	993 631 921 01	headlamp LITRONIC 2.0 without ignition control unit see technical information GR.9 , NR.1/04	/L 96	1	M 492/601
1	993 631 021 02	headlamp LITRONIC 2.1	/L 97-	1	M 492/601
1	993 631 022 00	headlamp	/R	1	M 492
1	A 993 631 022 01	headlamp LITRONIC 2.0	/R 96	1	M 492/601

Model	Year	MG	SG	Illustration	Restrictions	Update	10:25	25.08.2006	PORSCHE	PET	PORSCHE
993	98	9	05	905-00		203					

Pos	Part Number	Name	Remarks	Qty	Model	Pos	Part Number	Name	Remarks	Qty	Model
(1)	993 631 922 01	headlamp LITRONIC 2.0 without ignition control unit see technical information GR.9 , NR.1/04	/R 96	1	M 492/601	-	993 631 925 00	ignition control unit headlamp LITRONIC 2.1	97-	2	M 601
1	993 631 022 02	headlamp LITRONIC 2.1	/R 97-	1	M 492/601	6	993 631 911 00	cap		2	
1	993 631 041 00	headlamp	/L	1	(J)	7	993 631 915 00	holder		2	
1	993 631 041 02	headlamp LITRONIC 2.1	/L 97-	1	(J) M 601	8	993 631 023 00	mounting piece	/L	1	
1	993 631 042 00	headlamp	/R	1	(J)	9	993 631 024 00	mounting piece	/R	1	
1	993 631 042 02	headlamp LITRONIC 2.1	/R 97-	1	(J) M 601	9	993 631 033 00	mounting piece	/L	1	
2	993 631 901 00	lens	/L	1		(9)	993 631 034 00	mounting piece	/R	1	
2	993 631 902 00	lens	/R	1		9A	993 631 131 00	securing clip		2	
3	993 631 907 00	gasket		2		10	993 631 063 00	guide		2	
4	900 631 125 90	halogen bulb H 1		4		11	993 631 121 01	securing clip	/L	1	
4	900 631 125 90	halogen bulb H 1		2	M 601	(11)	993 631 122 01	securing clip	/R	1	
(4)	999 631 035 90	bulb - OSRAM -		2	M 601	12	993 631 183 00	locking device		2	
(4)	999 631 036 90	bulb - PHILIPS -		2	M 601	13	993 631 180 01	rubber sleeve		2	
5	993 624 209 00	electric motor headlight levelling system		2		14 A	993 631 170 00	plug	-96	2	
-	993 631 923 00	ignition control unit headlamp LITRONIC 2.0	96	2	M 601	14	993 631 170 03	plug		2	
-	000 043 204 37	repair kit ignition control unit headlamp LITRONIC 2.0 see technical information GR.9 , NR.1/04	96	2	M 601	15	900 067 321 02	screw M 6 X 16 Z2		4	
-	000 043 205 98	wiring harness headlamp see technical information GR.9 , NR.1/04	96	1	M 601	15A	900 067 321 02	screw M 6 X 16 Z2		4	
						16	900 075 374 02	screw M 6 X 14 Z2		4	
						17	900 377 010 09	hexagon nut M 6		4	
						18	N 011 524 7	washer A 6,4		4	
						-	000 043 204 78	hose 6,0 X 2,0		X	
						19	-	750 MM		2	
						-	999 651 278 07	fixing clip for hose		X	
						19A	993 631 141 01	breather adapter		2	

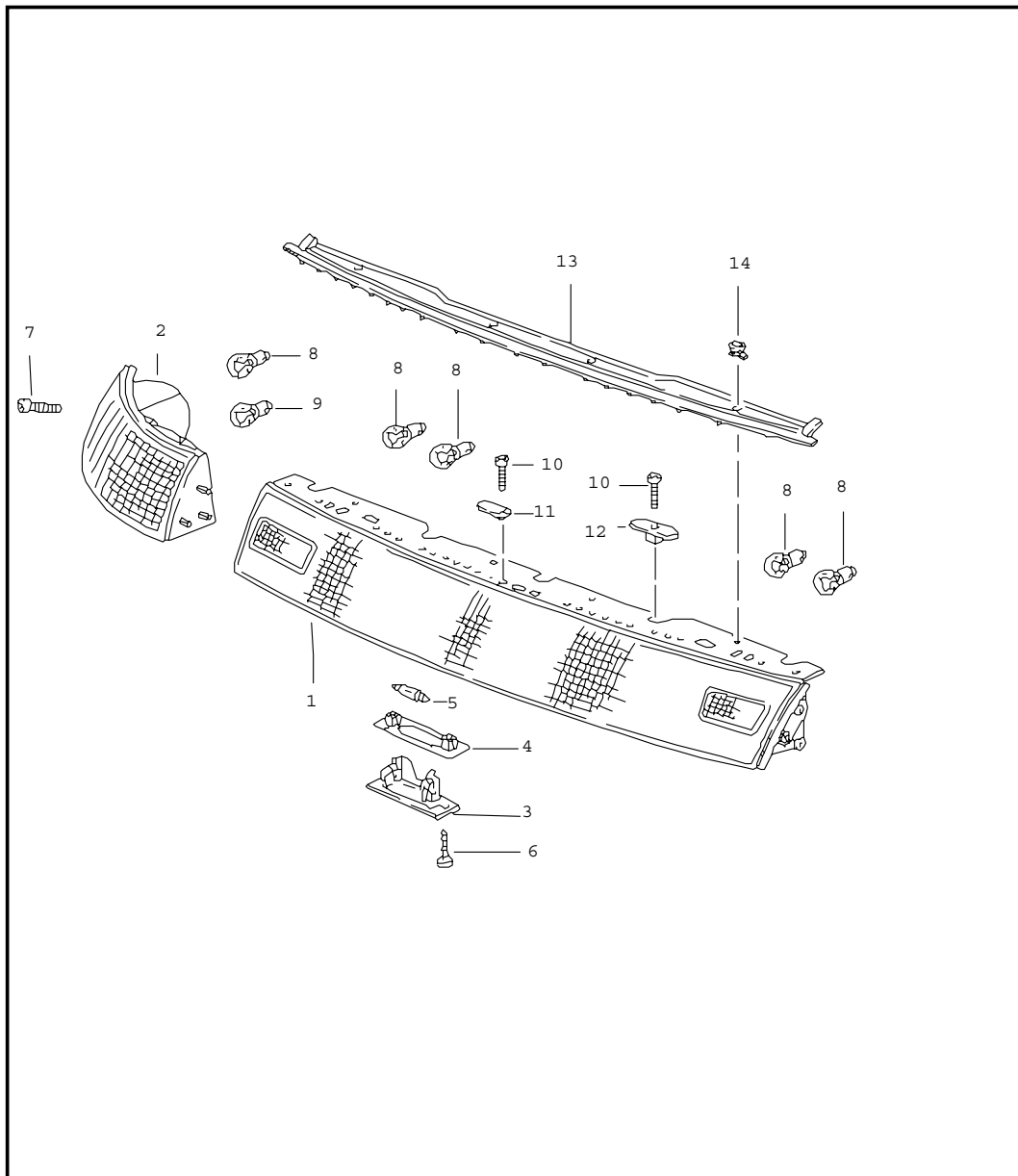
Model	Year	MG	SG	Illustration	Restrictions	Update	10:25	25.08.2006	PORSCHE	PET	PORSCHE
993	98	9	05	905-00		203					

Pos	Part Number	Name	Remarks	Qty	Model	Pos	Part Number	Name	Remarks	Qty	Model
20	999 652 832 40	connector housing headlamp		2		-	813 971 955	connector housing for POS. 30 fog headlamp		2	
21	999 650 150 40	plug socket wiring harness		2		-	893 972 921 A	gasket for 813.971.955		2	
-	999 652 871 22	connector 0,5 - 1,0		X		-	443 972 614	locking device for 813.971.955		2	
-	999 652 744 20	contact bush 1,5 - 2,5 for POS.21		X		-	999 652 784 40	terminal sleeve housing for POS.30 position light		2	
22	993 631 093 00	control unit LITRONIC 2.0	96	2	M 601	-	999 652 694 12	contact bush for 999.652.784.40		4	
-	999 652 896 40	connector housing	96	1	M 601	-	999 652 723 40	gasket for 999.652.784.40		4	
-	999 652 744 20	contact bush for 999.652.896.40		X				direction indicator light			
-	999 704 161 40	gasket for 999.652.896.40		X				direction indicator light yellow	/L	1	
22	993 631 093 02	control unit LITRONIC 2.1	97-	2	M 601	35	993 631 061 00	direction indicator light yellow	/L	1	
23	900 075 355 02	screw M 6 X 16 Z1		2	M 601	35	993 631 061 01	direction indicator light white	/L 95- /L	1	CARRERA 4 TURBO
24	993 631 196 00	support		2	M 601	(35)	993 631 062 00	direction indicator light yellow	/R	1	
25	999 190 119 30	blind rivet A 4,0 X 6,8		4	M 601	(35)	993 631 062 01	direction indicator light white	/R 95- /R	1	CARRERA 4 TURBO
30	993 631 081 00	fog headlamp	/L	1		-	993 631 125 00	bulb holder		2	
(30)	993 631 082 00	fog headlamp when required order also: see group 8 / 02 / 00 POS. 52,53,54	/R	1		(35)	993 631 071 00	direction indicator light yellow	/L	1	M 215
31	900 631 126 90	halogen bulb H 3		2		(35)	993 631 072 00	direction indicator light yellow use also:	/R	1	M 215
32	900 631 103 90	bulb 12V 4W		2		-	993 631 125 00	bulb holder		2	M 215
33	900 143 151 02	combination tapping screw 4,2 X 16		2		36	900 631 127 90	bulb 12V 21W		2	
						(36)	900 631 131 90	bulb 12V 21W yellow	95-	2	CARRERA 4 TURBO

Model	Year	MG	SG	Illustration	Restrictions	Update	10:25	25.08.2006	PORSCHE	PET	PORSCHE
993	98	9	05	905-00		203					

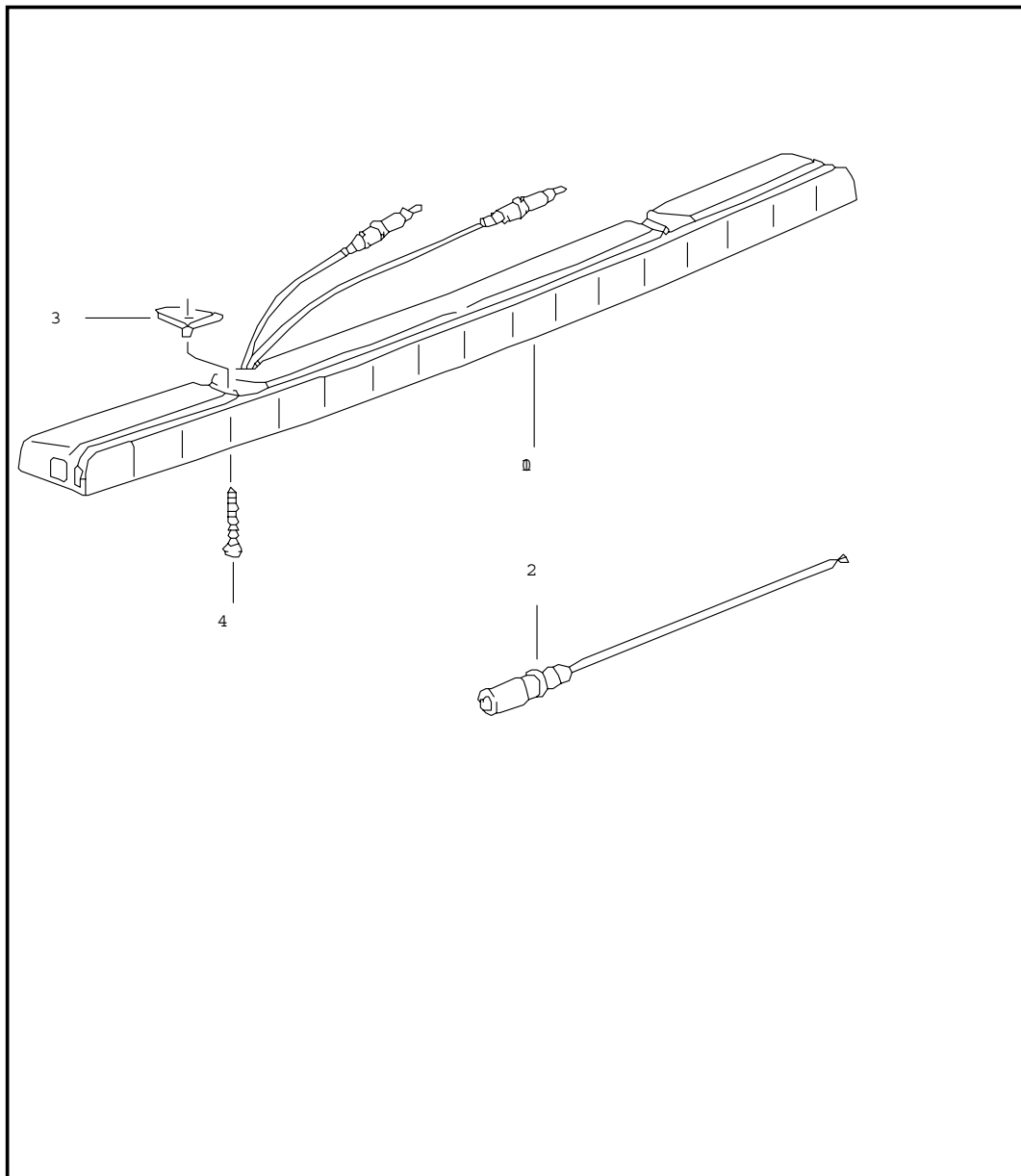
Pos	Part Number	Name	Remarks	Qty	Model	Pos	Part Number	Name	Remarks	Qty	Model
37	900 143 087 00	tapping screw 4,8 X 25		2							
-	813 971 955	connector housing for POS.35		2							
-	893 972 921 A	gasket for 813.971.955		2							
-	443 972 614	locking device for 813.971.955		2							
		side turn signal									
38	4A0 949 101	side turn signal		2							
39	161 949 111	bulb holder		2							
40	999 631 032 90	bulb 12V 5W		2							
		- - - E N D - - -									

Model	Year	MG	SG	Illustration	Restrictions	Update	10:25	25.08.2006	PORSCHE	PET	PORSCHE
993	98	9	05	905-05		203					



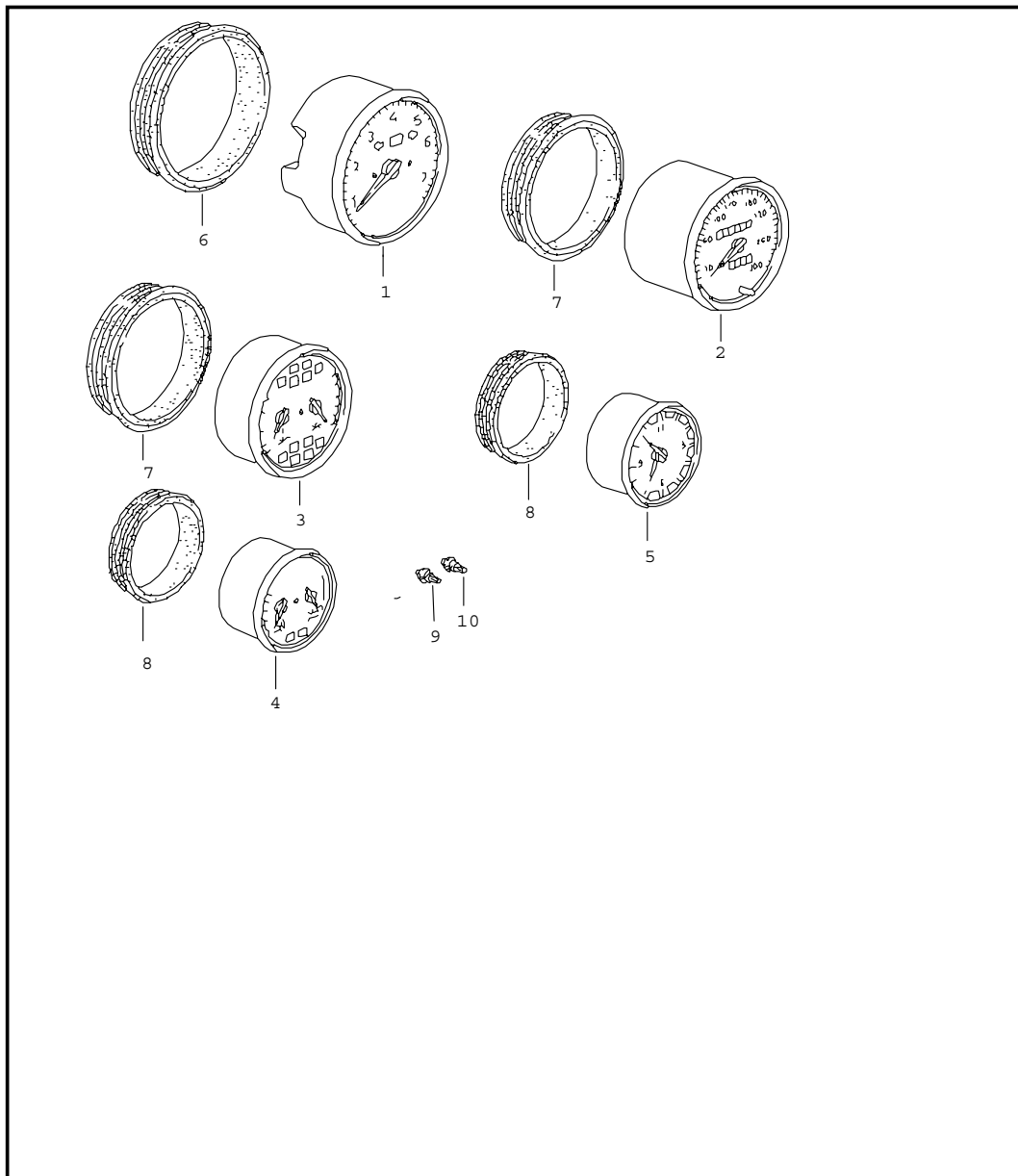
Pos	Part Number	Name	Remarks	Qty	Model
		combined lights rear			
1	993 631 130 00	covering		1	
1	993 631 140 00	covering		1	M 576
2	993 631 403 00	combined lights	/L	1	
2	993 631 403 01	combined lights	/L 95- /L	1	CARRERA 4 TURBO
(2)	993 631 404 00	combined lights	/R	1	
(2)	993 631 404 01	combined lights	/R 95- /R	1	CARRERA 4 TURBO
3	964 631 620 00	license plate light		2	
		01C black			
4	993 631 166 00	desk pad		2	
5	900 631 105 90	bulb 12V 5W		2	
6	900 143 085 07	tapping screw 4,2 X 16		4	
7	900 143 153 07	tapping screw 4,2 X 32		2	
-	999 507 018 02	speed nut 4,2 for POS. 7		2	
8	900 631 127 90	bulb 12V 21W		6	
9	900 631 128 90	bulb 12V 21/5W		2	
10	900 119 114 07	pan-head screw		3	
11	993 631 127 00	support		1	
12	993 631 128 00	support		2	
13	993 559 621 00	cover		1	
		01C black			
14	999 590 036 40	cap nut		4	
		01C black			
- - - E N D - - -					

Model	Year	MG	SG	Illustration	Restrictions	Update	10:26	25.08.2006	PORSCHE	PET	PORSCHE
993	98	9	05	905-10		203					



Pos	Part Number	Name	Remarks	Qty	Model
		additional stoplamp			M 602
		see technical information GR.9, NR. 2/96			
1	993 631 060 00	additional stoplamp		1	COUPE/CABRIO
-	999 631 135 90	bulb 12V 1,4W		24	
2	993 612 091 00	single line brown		1	COUPE
(2)	993 612 091 01	single line black		1	COUPE
3	993 631 160 00	fastening part		2	
4	999 919 117 09	oval-head sheetmetal screw 3,5 X 20		2	
		- - - E N D - - -			

Model	Year	MG	SG	Illustration	Restrictions	Update	10:26	25.08.2006	PORSCHE	PET	PORSCHE
993	98	9	06	906-00		203					

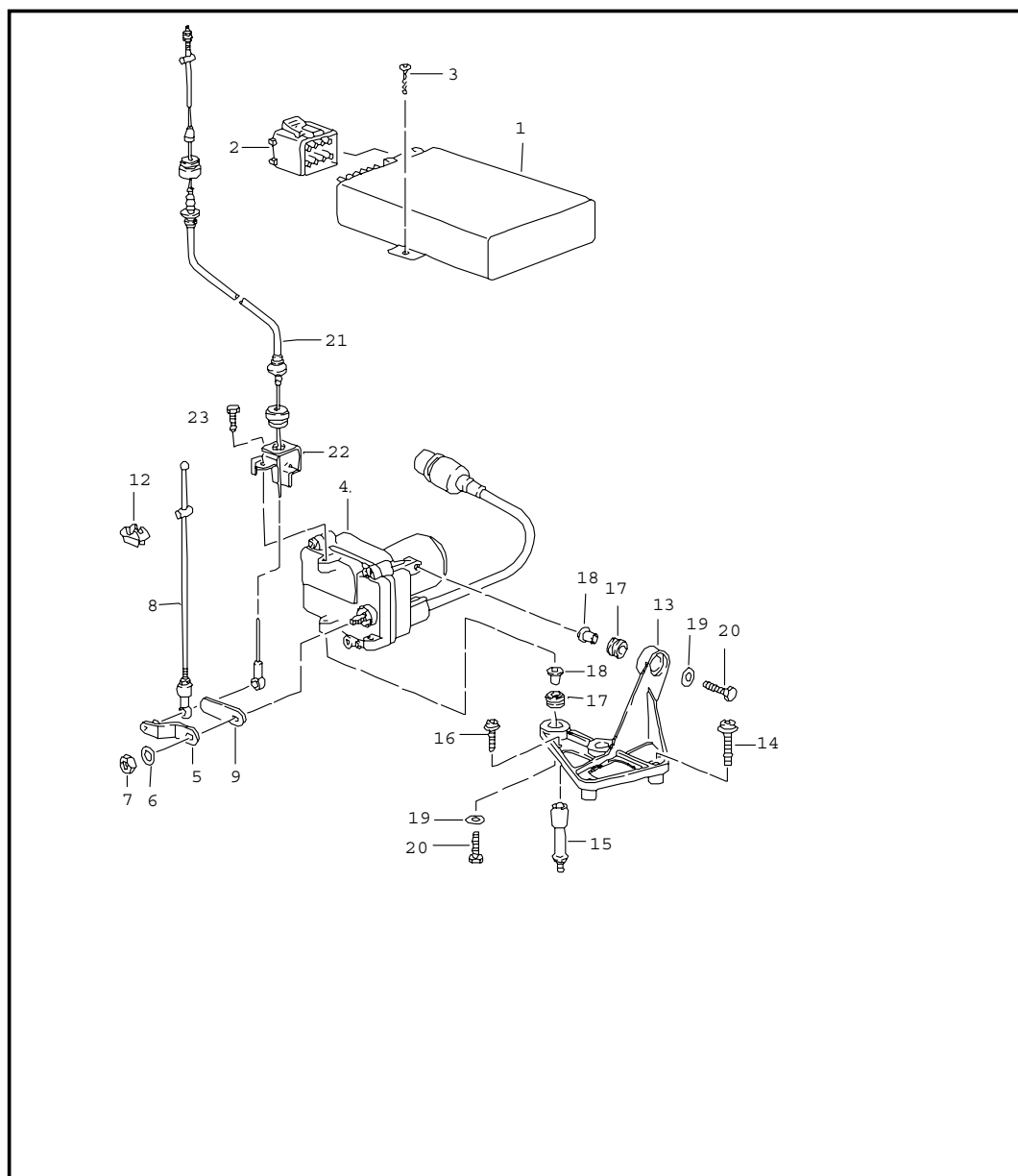


Pos	Part Number	Name	Remarks	Qty	Model
		instruments			
		see technical information			
		GR.9, NR. 2/95			
		electronic mail			
		GR.9, NR. 5/98			
1	964 641 301 00	tachometer		1	M 480
1	993 641 302 00	tachometer		1	M 480/495
	61W	steel grey			
1	993 641 311 00	tachometer		1	M 659
1	993 641 331 00	tachometer		1	M 495/659
	61W	steel grey			
1	993 641 314 00	tachometer		1	M 545/659
1	993 641 334 00	tachometer		1	M 495/545/ M 659
	61W	steel grey			
1	993 641 313 00	tachometer		1	(GB) M 659
1	993 641 333 00	tachometer		1	(GB) M 495/ M 659
	61W	steel grey			
1	A 993 641 321 00	tachometer		1	TURBO M 659
1	993 641 321 01	tachometer		1	TURBO M 659
1	A 993 641 324 00	tachometer		1	TURBO M 545/659
1	993 641 324 01	tachometer		1	TURBO M 545/659
1	A 993 641 323 00	tachometer		1	TURBO (GB)
1	N 993 641 323 01	tachometer		1	TURBO (GB)
2	964 641 516 00	speedometer		1	M 480
2	993 641 541 00	speedometer		1	M 480/495
	61W	steel grey			
2	993 641 508 00	speedometer		1	(GB) M 480
2	993 641 543 00	speedometer		1	(GB) M 480/ M 495

Model	Year	MG	SG	Illustration	Restrictions	Update	10:26	25.08.2006	PORSCHE	PET	PORSCHE
993	98	9	06	906-00		203					

Pos	Part Number	Name	Remarks	Qty	Model	Pos	Part Number	Name	Remarks	Qty	Model
	61W	steel grey				2	993 641 548 00	speedometer		1	TURBO (GB) M 659
2	964 641 016 00	speedometer		1	M 215/480	2	993 641 046 00	speedometer		1	TURBO M 215/659
2	993 641 544 00	speedometer		1	M 215/480/ M 495	3	993 641 103 00	instrument cluster		1	
	61W	steel grey				3	993 641 106 00	instrument cluster		1	M 495
2	964 641 526 00	speedometer		1	M 249/659		61W	steel grey			
2	993 641 561 00	speedometer		1	M 249/495/ M 659	4	964 641 202 00	instrument cluster		1	
	61W	steel grey				4	993 641 203 00	instrument cluster		1	M 495
2	993 641 528 00	speedometer		1	(GB) M 249/ M 659		61W	steel grey			
2	993 641 563 00	speedometer		1	(GB) M 249/ M 495/659	5	993 641 701 00	clock		1	
	61W	steel grey				5	993 641 703 00	clock		1	M 495
2	964 641 026 00	speedometer		1	M 215/249/ M 659		61W	steel grey			
2	993 641 564 00	speedometer		1	M 215/249/ M 495/659	6	911 641 903 01	rubber ring		1	
	61W	steel grey				7	911 641 902 01	rubber ring		2	
2	964 641 536 00	speedometer		1	M 480/659	8	911 641 901 01	rubber ring		2	
2	993 641 551 00	speedometer		1	M 480/495/ M 659	9	964 641 920 00	bulb 12 V 0,9 W		X	
	61W	steel grey				10	999 631 027 90	bulb 12 V 1,5 W		X	
2	993 641 538 00	speedometer		1	(GB) M 480/ M 659			- - - E N D - - -			
2	993 641 553 00	speedometer		1	(GB) M 480/ M 495/659						
	61W	steel grey									
2	964 641 036 00	speedometer		1	M 215/480/ M 659						
2	993 641 554 00	speedometer		1	M 215/480/ M 495/659						
	61W	steel grey									
2	993 641 546 00	speedometer		1	TURBO M 659						

Model	Year	MG	SG	Illustration	Restrictions	Update	10:26	25.08.2006	PORSCHE	PET	PORSCHE
993	98	9	07	907-00		203					

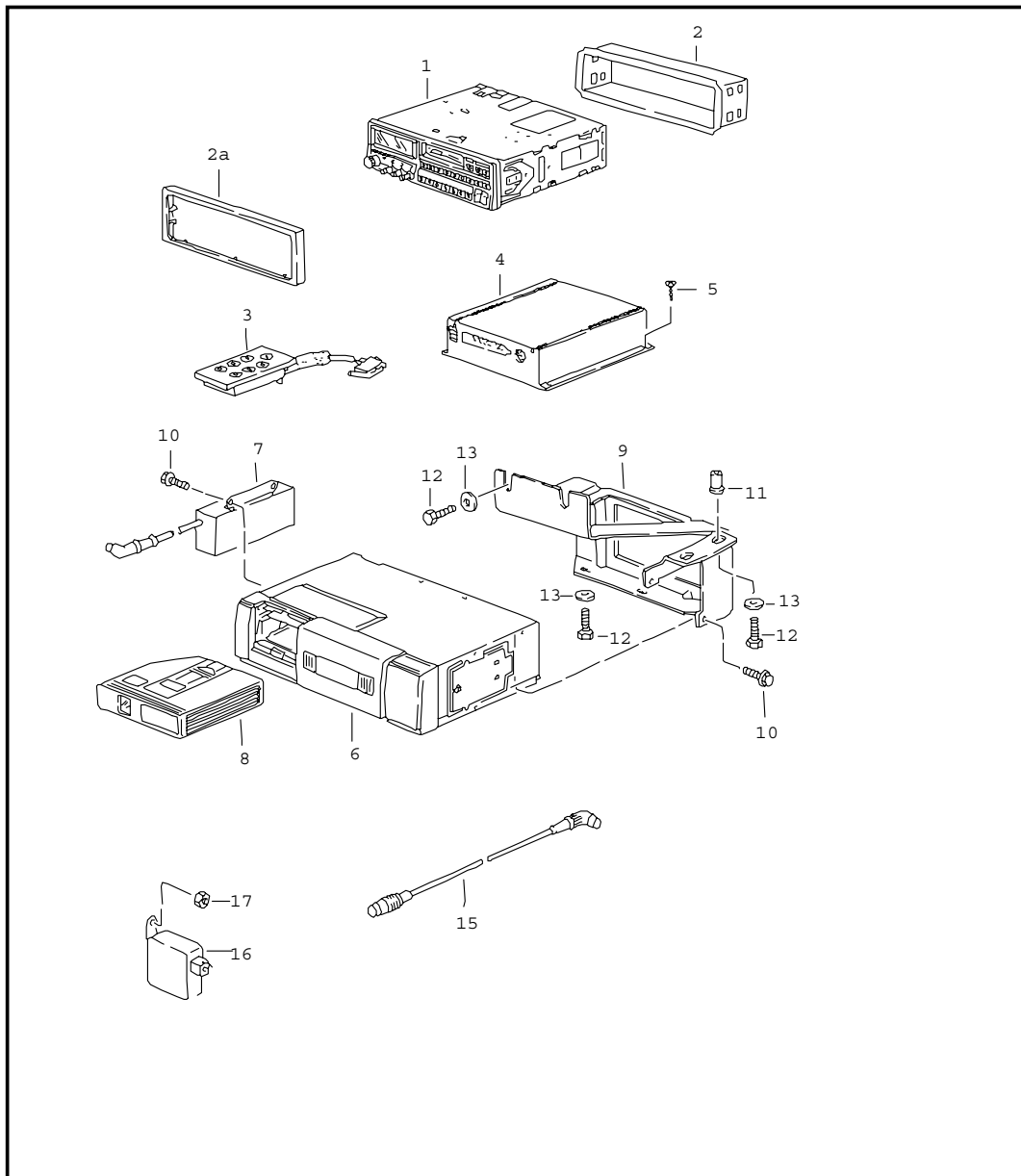


Pos	Part Number	Name	Remarks	Qty	Model
		cruise control			M 454
1	911 617 227 00	control unit		1	
2	911 617 427 00	coding plug		1	
3	900 143 031 02	oval-head sheetmetal screw 4,2 X 9,5		1	
4	944 617 121 00	drive link		1	
-	944 612 450 00	fixing clip for connector housing connection point		1	
5	993 110 129 00	lever		1	M 64.05/06/ 07/08/60
5	993 110 129 01	lever		1	M 64.21/22/ 23/24
6	900 025 007 02	washer A 8		1	
7	N 011 018 4	hexagon nut M 8 X 1		1	
8	993 110 013 03	pull rod	-95	1	
8	993 110 013 04	pull rod	96-	1	
9	993 110 229 02	tab washer		1	M 64.05/06/ 07/08/60
9	993 110 229 03	tab washer		1	M 64.21/22/ 23/24
12	964 423 435 00	clip		1	
13	993 110 198 01	bracket		1	M 64.05/06/ 07/08/60
13	993 110 498 01	bracket		1	M 64.21/22/ 23/24
14	900 067 247 02	screw M 8 X 30		2	
15	993 110 319 02	threaded bolt		1	
16	900 067 207 02	screw M 6 X 20		1	
17	993 110 311 01	guide bush		3	
18	999 702 200 50	rubber mounting		3	

Model	Year	MG	SG	Illustration	Restrictions	Update	10:26	25.08.2006	PORSCHE	PET	PORSCHE
993	98	9	07	907-00		203					

Pos	Part Number	Name	Remarks	Qty	Model	Pos	Part Number	Name	Remarks	Qty	Model
19	900 151 003 02	washer B 6,4		3							
20	900 075 016 02	hexagon-head bolt M 6 X 22		3							
21	993 110 025 52	accelerator cable		1	TURBO						
22	993 110 220 50	support		1	TURBO						
23	999 072 005 09	hexagon-head bolt M 6 X 12		1	TURBO						
		- - - E N D - - -									

Model	Year	MG	SG	Illustration	Restrictions	Update	10:26	25.08.2006	PORSCHE	PET	PORSCHE
993	98	9	11	911-00		203					

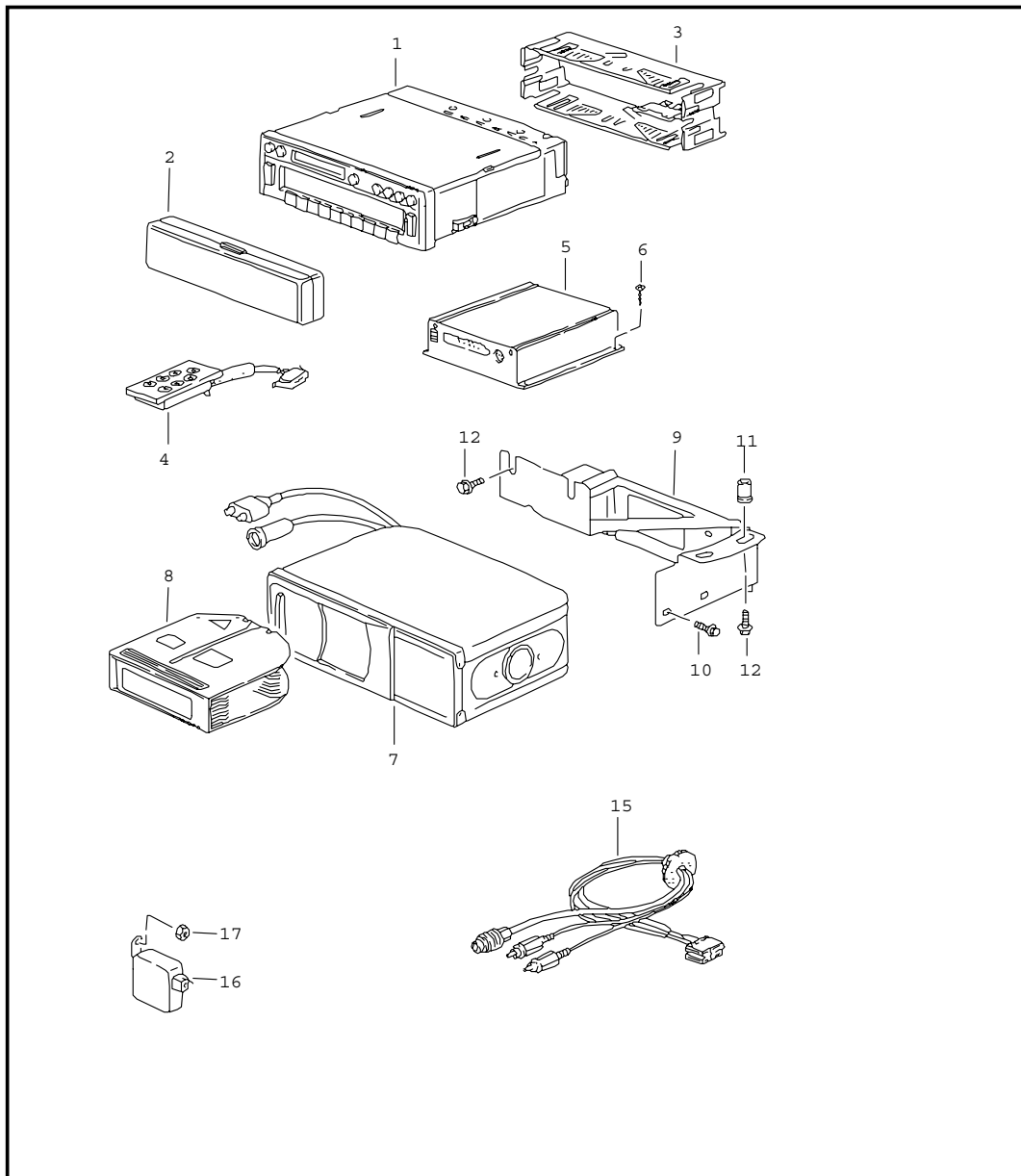


Pos	Part Number	Name	Remarks	Qty	Model
		radio booster F >>99TS3 71089	-95		TURBO
1	> 993 645 106 00	radio CR-10	95	1	M 324
-	993 645 411 01	adapter	95	1	M 324/490 M 324/680
-	993 645 451 00	adapter	95	1	M 324/692
1	> 993 645 101 00	radio BREMEN RCM 43	-95	1	M 334
1	> 993 645 103 00	radio BREMEN RCM 43	-95	1	M 334/692
1	> 993 645 107 00	radio LONDON RDM 42	94	1	M 693
1	> 993 645 110 00	radio MUENCHEN RD 104	95	1	M 687
1	> 993 645 108 00	radio PARIS RCR 42	94	1	M 333
1	> 993 645 109 00	radio DUESSELDORF RCR 84	95	1	M 336
2	911 645 173 03	retaining frame	-95	1	
(2)	993 645 173 00	retaining frame for CR-10	95	1	M 324
3	993 645 201 00	control part		1	M 680
4	993 645 301 00	booster		1	COUPE M 490
4	993 645 303 00	booster		1	CABRIO M 490
(4)	993 645 302 00	booster		1	COUPE M 680
(4)	993 645 304 00	booster		1	CABRIO M 680
5	900 143 031 02	oval-head sheetmetal screw 4,2 X 9,5		4	
6	> 964 645 111 00	cd changer CDC-2	-95	1	M 692
7	> 964 645 112 00	adapter for cd changer	-95	1	M 334/692

Model	Year	MG	SG	Illustration	Restrictions	Update	10:26	25.08.2006	PORSCHE	PET	PORSCHE
993	98	9	11	911-00		203					

Pos	Part Number	Name	Remarks	Qty	Model	Pos	Part Number	Name	Remarks	Qty	Model
8	964 645 113 00	rack for cd changer CDC-1/CDC-2	-95	1							
9	964 645 221 00	support	-95	1							
10	999 075 067 09	screw M 4 X 8Z1		X							
11	999 500 044 02	nut		4							
12	900 075 057 02	hexagon-head bolt M 6X16		4							
13	900 151 006 09	washer B 6,4		4							
15	993 645 409 00	connecting cable radio booster	/LL -95	1	M 490						
15	993 645 410 00	connecting cable radio booster	/RL -95	1	M 490						
15	964 645 450 00	connecting cable cd changer	/LL -95	1	M 692						
15	964 645 451 00	connecting cable cd changer	/RL -95	1	M 692						
16	964 645 173 00	antenna booster		1							
17	900 377 010 09	hexagon nut M 6		1							
		- - - E N D - - -									

Model	Year	MG	SG	Illustration	Restrictions	Update	10:27	25.08.2006	PORSCHE	PET	PORSCHE
993	98	9	11	911-01		203					

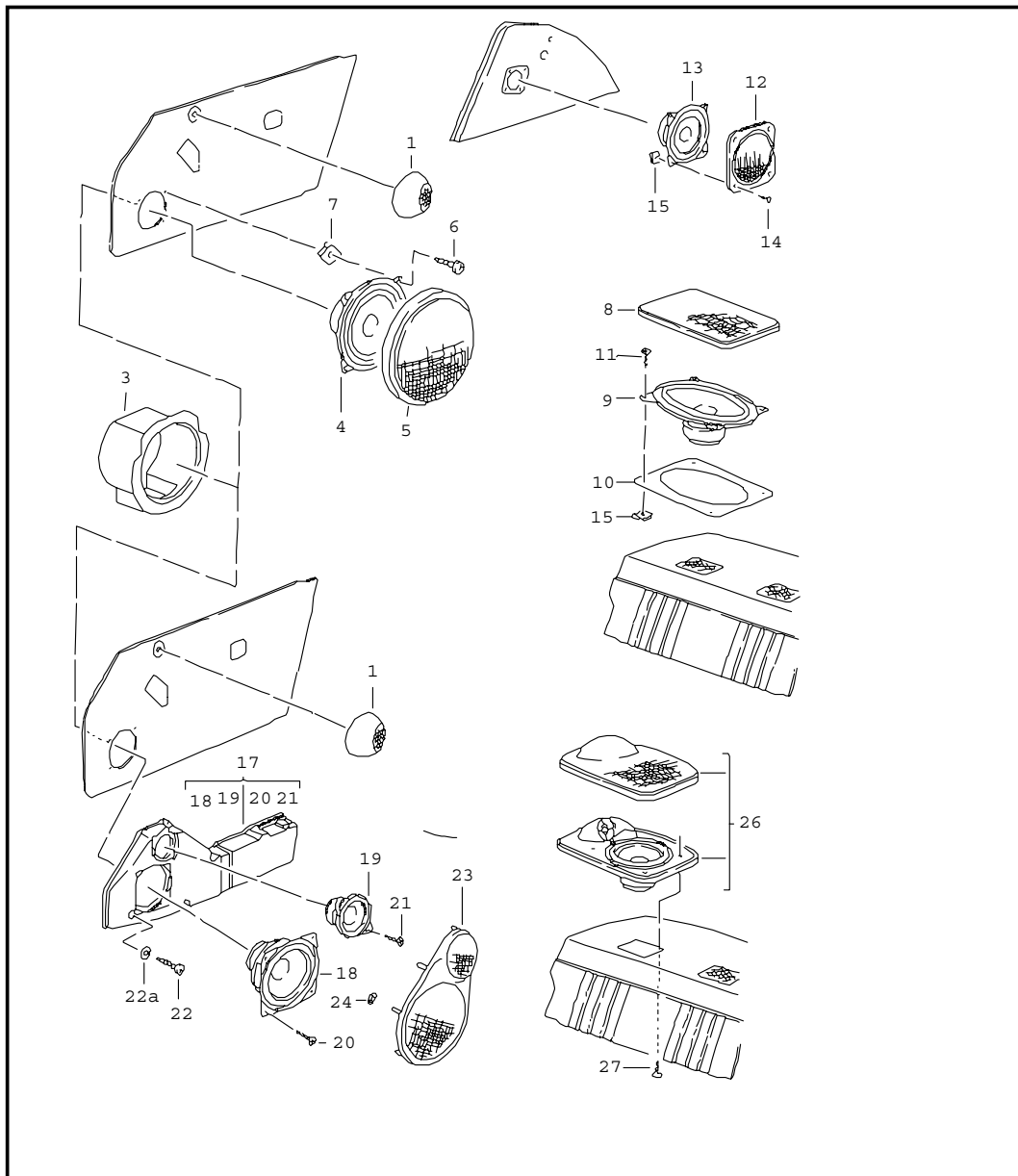


Pos	Part Number	Name	Remarks	Qty	Model
		radio booster F 99TS3 71090>> see technical information GR.9, NR.1/97	96-		TURBO
1	> 993 645 118 01	radio CR - 31	96	1	M 330
1	> 993 645 118 01	radio CR - 31	97-	1	M 330
1	> 993 645 116 00	radio CR - 21	96	1	M 326
1	> 993 645 116 01	radio CR - 21	97-	1	M 326
1	> 993 645 115 00	radio CR - 11	96	1	M 320
1	> 993 645 115 01	radio CR - 11	97-	1	M 320
1	> 993 645 119 00	radio CDR - 21	96	1	M 686
1	> 993 645 119 01	radio CDR - 21	97-	1	M 686
		plug socket for POS. 1			
-	357 035 447	socket 8-pole black		1	
-	N 903 353 04	flat plug 2,5		X	
-	N 903 352 04	flat plug 1,0		X	
-	357 035 447 A	socket 8-pole brown		X	
-	N 903 353 04	flat plug 2,5		X	
2	993 645 190 00	case for control part radio		1	
3	993 645 173 00	retaining frame		1	

Model	Year	MG	SG	Illustration	Restrictions	Update	10:27	25.08.2006	PORSCHE	PET	PORSCHE
993	98	9	11	911-01		203					

Pos	Part Number	Name	Remarks	Qty	Model	Pos	Part Number	Name	Remarks	Qty	Model
4	993 645 201 00	control part F >>99TS3 14529 F >>99TS3 31310 F >>99TS3 81305 F >>99TS3 72025		1	M 680 COUPE CABRIO TARGA TURBO	(15)	993 645 414 00	connecting cable radio booster	/RL	1	M 490
4	993 645 201 01	control part F 99TS3 14530>> F 99TS3 31311>> F 99TS3 81306>> F 99TS3 72026>>		1	M 680 COUPE CABRIO TARGA TURBO	15	993 645 453 00	connecting cable cd changer	/LL	1	M 692
5	993 645 301 02	booster	96-	1	COUPE M 490	15	993 645 454 00	connecting cable cd changer	/RL	1	M 692
5	993 645 303 02	booster	96-	1	CABRIO/TARGA M 490	16	964 645 173 00	antenna booster		1	
(5)	993 645 302 00	booster F >>99TS3 14529 F >>99TS3 72025		1	COUPE M 680 COUPE TURBO	17	900 377 010 09	hexagon nut M 6		1	
(5)	993 645 302 01	booster F 99TS3 14530>> F 99TS3 72026>>		1	COUPE M 680 COUPE TURBO	- - - E N D - - -					
(5)	993 645 304 00	booster F >>99TS3 31310 F >>99TS3 81305		1	CABRIO/TARGA M 680 CABRIO TARGA						
(5)	993 645 304 01	booster F 99TS3 31311>> F 99TS3 81306>>		1	CABRIO/TARGA M 680 CABRIO TARGA						
6	900 143 031 02	oval-head sheetmetal screw 4,2 X 9,5		4							
7	> 993 645 130 00	cd changer CDC - 3		1	M 692						
8	993 645 113 00	rack for cd changer		1							
9	993 645 221 00	support		1							
10	999 075 067 09	screw M 4 X 8Z1		6							
11	999 500 044 02	nut		4							
12	900 075 413 09	screw M 6 X 16Z2		4							
(15)	993 645 413 00	connecting cable radio booster	/LL	1	M 490						

Model	Year	MG	SG	Illustration	Restrictions	Update	10:27	25.08.2006	PORSCHE	PET	PORSCHE
993	98	9	11	911-05		203					

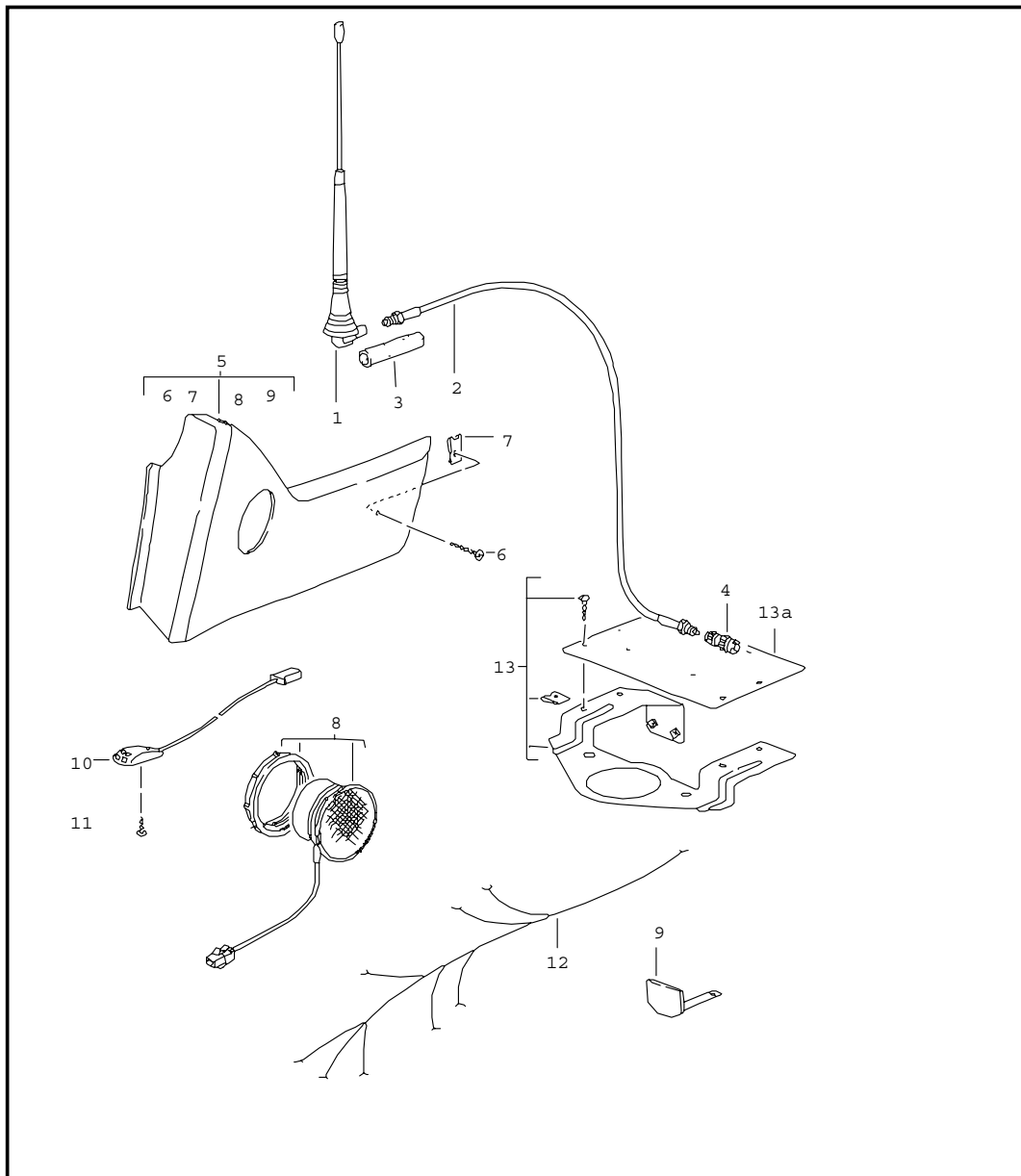


Pos	Part Number	Name	Remarks	Qty	Model
1	993 645 502 00	loudspeaker		2	
	01C	tweeter			
		satin black			
2	U 964 555 377 00	base		2	
3	U 911 555 217 00	housing		2	
3	993 555 217 00	housing		2	
4	993 645 506 00	woofer		2	
(4)	964 645 505 00	loudspeaker		2	CARRERA RS
5	911 555 451 00	loudspeaker grille		2	
	01C	satin black			
6	900 143 151 02	tapping screw		8	
		4,2 X 16			
7	U 999 591 331 02	speed nut		8	
		B 4,2			
7	999 591 925 02	speed nut		8	
		B 4,2			
8	944 555 149 00	loudspeaker grille		2	COUPE/TARGA
	01C	satin black			
9	993 645 505 00	loudspeaker		2	COUPE/TARGA
10	993 555 769 00	frame		2	COUPE/TARGA
11	900 143 037 02	tapping screw		8	COUPE/TARGA
		3,9 X 22			
12	928 645 423 00	loudspeaker grille		2	CABRIO
13	964 645 504 00	loudspeaker		2	CABRIO
14	900 143 132 07	tapping screw		8	CABRIO
		3,9 X 16			
15	999 507 071 00	speed nut		8	
		B 3,9			
(17)	993 645 011 00	loudspeaker	/L	1	M 490
17	993 645 012 00	loudspeaker	/R	1	M 490
18	993 645 501 00	woofer		2	M 490
19	993 645 503 00	mid-range loudspeaker		2	M 490

Model	Year	MG	SG	Illustration	Restrictions	Update	10:27	25.08.2006	PORSCHE	PET	PORSCHE
993	98	9	11	911-05		203					

Pos	Part Number	Name	Remarks	Qty	Model	Pos	Part Number	Name	Remarks	Qty	Model
20	999 919 050 02	oval-head screw 4,0 X 12		8	M 490						
21	999 919 050 02	oval-head screw 4,0 X 12		4	M 490						
22	U 900 143 177 02	combination tapping screw B 4,2 X 13		8	M 490						
22	999 919 122 02	oval-head sheetmetal screw B 4,5 X 35		8	M 490						
22A	900 151 006 09	washer B 6,4		8	M 490						
23	993 555 777 00	loudspeaker grille		2	M 490						
		01C satin black									
24	999 591 946 02	clamping washer		12	M 490						
(25)	U 993 645 573 00	loudspeaker grille	/L	1	COUPE M 490						
		03C rally black									
25	U 993 645 574 00	loudspeaker grille	/R	1	COUPE M 490						
		03C rally black									
(26)	993 645 013 01	loudspeaker	/L	1	COUPE M 490						
		01C satin black									
26	993 645 014 01	loudspeaker	/R	1	COUPE M 490						
		01C satin black									
27	U 900 143 178 07	oval-head sheetmetal screw B 3,9 X 22		8	COUPE M 490						
27	999 919 086 02	oval-head screw 4,0 X 14		8							
28	U 999 507 071 00	speed nut B 3,9		8	COUPE M 490						
		- - - E N D - - -									

Model	Year	MG	SG	Illustration	Restrictions	Update	10:27	25.08.2006	PORSCHE	PET	PORSCHE
993	98	9	11	911-10		203					



Pos	Part Number	Name	Remarks	Qty	Model
		preparation for telephone			M 614,M 611 M 615
1	964 646 317 00	antenna	-96	1	COUPE
-	993 646 317 00	antenna base	97-	1	COUPE
-	993 646 318 00	antenna rod	97-	1	COUPE
(1)	964 646 315 00	antenna	-96	1	CABRIO/TARGA
-	996 647 103 00	antenna base	97-	1	CABRIO/TARGA
-	996 647 104 00	antenna rod electronic mail 38A/96	97-	1	CABRIO/TARGA
2	993 646 060 00	extension cable		1	M 614,M 611
(2)	996 612 086 00	extension cable		1	M 615
3	928 612 636 01	protective tube		1	COUPE
4	964 646 318 00	adapter plug		1	
5	993 646 201 00	bracket		1	
		5FV black			
		4XR classic grey			
		3GE midnight blue			
		6SC chestnut brown			
		8UT cashmere beige			
		1HQ provence blue			
		2JP cedar green			
		3TE flamenco red			
		D50 florentine gr./marble grey			
		8AS rubicon grey			
		J30 nephrite green			
		M30 boxster red			
(5)	993 646 901 00	bracket	97-	1	M 490,M 680
		5FV black			
		4XR classic grey			
		3GE midnight blue			

Model	Year	MG	SG	Illustration	Restrictions	Update	10:27	25.08.2006	PORSCHE	PET	PORSCHE
993	98	9	11	911-10		203					

Pos	Part Number	Name	Remarks	Qty	Model	Pos	Part Number	Name	Remarks	Qty	Model
	6SC	chestnut brown				-	999 607 083 00	fuse 7,5 A		2	M 614, M 611
	8UT	cashmere beige									
	8AS	rubicon grey									
	J30	nephrite green									
	M30	boxster red									
6	900 143 089 07	tapping screw 4,2 X 38	-95	2							
(6)	900 143 183 09	tapping screw 4,2 X 25	96-	1							
(6)	900 143 180 09	tapping screw 4,2 X 32	96-	1							
7	999 507 036 02	speed nut 4,2	-95	2							
(7)	999 507 579 40	expander nut 4,2	96-	1							
(7)	999 507 542 40	expander nut 4,2	96-	1							
8	993 646 241 00	loudspeaker		1							
9	993 646 247 01	stop for seat		1							
10	964 646 307 00	microphone		1	M 614						
10	993 646 307 00	microphone		1	M 611, M 615						
11	999 919 039 02	counters. head tapp. screw 3,5 X 8		2							
12	993 646 050 01	wiring harness		1	M 614, M 611						
-	928 646 510 00	screw for mount connector housing		2	M 611						
13	964 646 026 00	bracket		1	M 614, M 611						
(13)	993 646 026 00	support		1	M 615						
13A	993 646 203 00	bracket		1	M 611						
-	959 610 123 00	fuse holder		2	M 614, M 611						
- A	999 607 005 00	fuse 7,5 A		2	M 614, M 611						

M002 911 CARRERA RS ROAD VERSION
M003 911 CARRERA RS CLUBSPORT
M018 SPORTS STEERING WHEEL
M018 WITH ELEVATED HUB 30MM
M020 SPEEDOMETER WITH TWO SCALES MPH-KM/H
M024 VERSION FOR GREECE
M030 SPORT-TYPE RUNNING GEAR
M032 TOURING SUSPENSION
M033 LOWERED VEHICLE
M034 VERSION FOR ITALY
M058 IMPACT ABSORBERS FRONT AND REAR
M061 VERSION FOR GREAT BRITAIN
M062 VERSION FOR SWEDEN
M063 VERSION LUXEMBURG
M064 VERSION FOR NETHERLANDS
M065 VERSION FOR DENMARK
M066 VERSION FOR NORWAY
M067 VERSION FOR FINLAND
M068 VERSION FOR THAILAND
M069 OTHER COUNTRY VERSION
M071 EU COUNTRY VERSION
M092 SPECIAL MODEL TURBO S MOD. 97
M111 VERSION FOR AUSTRIA
M113 VERSION FOR CANADA
M114 VERSION FOR TAIWAN
M119 VERSION FOR SPAIN
M124 VERSION FOR FRANCE
M126 CONTROL AND INDICATIONS IN FRENCH LETTERING
M127 CONTROL AND INDICATIONS IN SCHWEDISCH
M130 CONTROL AND INDICATIONS IN ENGLISH LETTERING
M139 SEAT HEATING SYSTEM, LEFT SEAT
M150 OPERATES WITH LEADED GAS
M159 ENGINE SOUND PACKAGE
M185 SAFETY BELTS 2-POINT,
M185 REAR AUTOMATIC
M186 SAFETY BELTS 2-POINT, REAR
M186 MANUAL
M193 VERSION FOR JAPAN
M197 STRONGER BATTERY
M215 VERSION FOR SAUDI ARABIA
M219 DIFFERENTIAL
M220 LOCKING DIFFERENTIAL 40 %
M224 AUTOMATIC LIMITED SLIP DIFFERENTIAL
M225 VERSION FOR BELGIUM
M249 TIPTRONIC TRANSMISSION
M261 OUTSIDE MIRROR - PLAIN - PASSENGER'S SIDE,
M261 ELECTRICALLY ADJUSTABLE AND HEATABLE
M277 VERSION FOR SWITZERLAND
M288 HEADLAMP WASHER
M320 RADIO "PORSCHE CR-11"
M324 RADIO "PORSCHE CR-10"

M325 VERSION FOR SOUTH AFRICA/NEW ZEALAND
M326 RADIO "PORSCHE CR-21"
M329 RADIO BLAUPUNKT TORONTO SQR 48
M329 RADIO "PORSCHE CR-210"
M330 RADIO BLAUPUNKT TORONTO SQR 46
M330 RADIO "PORSCHE CR-31" 97-
M331 RADIO "PORSCHE CR-1"
M333 RADIO PARIS RCR 41
M334 RADIO/CASSETTE PLAYER BREMEN RCM 42
M335 AUTOMATICAL SAFETY BELT, 3-POINT,
M335 REAR
M336 RADIO "DUESSELDORF RCR 84"
M338 REAR-WHEEL DRIVE
M339 4-WHEEL DRIVE
M340 SEAT HEATING SYSTEM, RIGHT SEAT
M371 SPORT SEAT, LEFT
M371 MANUALLY ADJUSTABLE
M372 SPORT SEAT, RIGHT
M372 MANUALLY ADJUSTABLE
M373 SPORTS SEAT, LEFT,
M373 ELECTRICALLY HEIGHT ADJUSTABLE
M374 SPORTS SEAT, RIGHT,
M374 ELECTRICALLY HEIGHT ADJUSTABLE
M379 SERIES SEAT, LEFT,
M379 ELECTRICAL VERTICAL ADJUSTMENT
M380 SERIES SEAT, RIGHT,
M380 ELECTRICAL VERTICAL ADJUSTMENT
M381 SERIES SEAT LEFT,
M381 MANUALLY ADJUSTABLE
M382 SERIES SEAT RIGHT,
M382 MANUALLY ADJUSTABLE
M383 SPORT SEAT LEFT, ELECTRICAL
M383 VERTICALLY ADJUSTABLE
M384 BUCKET SEAT, LEFT
M385 BUCKET SEAT, RIGHT
M387 SPORT SEAT RIGHT, ELECTRICAL
M387 VERTICALLY ADJUSTABLE
M393 17" TARGA WHEEL
M398 CUP WHEEL, 17 INCHES
M401 CUP WHEEL, 16 INCHES
M405 RS WHEEL, 18 INCHES
M408 18" TECHNO WHEEL
M413 18" TURBO-LOOK-WHEEL
M419 REAR LUGGAGE DUMP
M423 BOX FOR CASSETTES AND COINS
M425 REAR WINDOW WIPER
M432 STEERING WHEEL WITH TIPTRONIC CONTROL
M433 LEATHER STEERING WHEEL ATWE
M435 LEATHER STEERING WHEEL MOMO
M437 COMFORT SEAT LEFT,
M437 ELECTRICALLY ADJUSTABLE

M325 VERSION FOR SOUTH AFRICA/NEW ZEALAND
M326 RADIO "PORSCHE CR-21"
M329 RADIO BLAUPUNKT TORONTO SQR 48
M329 RADIO "PORSCHE CR-210"
M330 RADIO BLAUPUNKT TORONTO SQR 46
M330 RADIO "PORSCHE CR-31" 97-
M331 RADIO "PORSCHE CR-1"
M333 RADIO PARIS RCR 41
M334 RADIO/CASSETTE PLAYER BREMEN RCM 42
M335 AUTOMATICAL SAFETY BELT, 3-POINT,
M335 REAR
M336 RADIO "DUESSELDORF RCR 84"
M338 REAR-WHEEL DRIVE
M339 4-WHEEL DRIVE
M340 SEAT HEATING SYSTEM, RIGHT SEAT
M371 SPORT SEAT, LEFT
M371 MANUALLY ADJUSTABLE
M372 SPORT SEAT, RIGHT
M372 MANUALLY ADJUSTABLE
M373 SPORTS SEAT, LEFT,
M373 ELECTRICALLY HEIGHT ADJUSTABLE
M374 SPORTS SEAT, RIGHT,
M374 ELECTRICALLY HEIGHT ADJUSTABLE
M379 SERIES SEAT, LEFT,
M379 ELECTRICAL VERTICAL ADJUSTMENT
M380 SERIES SEAT, RIGHT,
M380 ELECTRICAL VERTICAL ADJUSTMENT
M381 SERIES SEAT LEFT,
M381 MANUALLY ADJUSTABLE
M382 SERIES SEAT RIGHT,
M382 MANUALLY ADJUSTABLE
M383 SPORT SEAT LEFT, ELECTRICAL
M383 VERTICALLY ADJUSTABLE
M384 BUCKET SEAT, LEFT
M385 BUCKET SEAT, RIGHT
M387 SPORT SEAT RIGHT, ELECTRICAL
M387 VERTICALLY ADJUSTABLE
M393 17" TARGA WHEEL
M398 CUP WHEEL, 17 INCHES
M401 CUP WHEEL, 16 INCHES
M405 RS WHEEL, 18 INCHES
M408 18" TECHNO WHEEL
M413 18" TURBO-LOOK-WHEEL
M419 REAR LUGGAGE DUMP
M423 BOX FOR CASSETTES AND COINS
M425 REAR WINDOW WIPER
M432 STEERING WHEEL WITH TIPTRONIC CONTROL
M433 LEATHER STEERING WHEEL ATWE
M435 LEATHER STEERING WHEEL MOMO
M437 COMFORT SEAT LEFT,
M437 ELECTRICALLY ADJUSTABLE

M438 COMFORT SEAT RIGHT,
M438 ELECTRICALLY ADJUSTABLE
M439 ELECTRICAL
M439 ROOF CATCH
M441 PREPARED FOR RADIO
M445 SILVER WHEEL TRIM WITH
M445 MULTI-COLOURED COAT OF ARMS
M446 CONCAVE HUB CAPE
M446 WITH COLOURED ESCUTCHEON
M451 REDUCE RADIOPREPARATION
M454 AUTOMATIC SPEED CONTROL
M455 ANTI-THEFT DEVICE FOR WHEELS
M459 DOME STRUT
M467 OUTSIDE MIRROR FOR DRIVER'S SIDE, CONVEX,
M467 ELECTRICALLY HEATABLE AND ADJUSTABLE
M470 FIXED SPOILER
M471 FIXED SPOILER WITH ADDITIONAL WING
M479 VERSION FOR AUSTRALIA
M480 6-SPEED MANUAL TRANSMISSION
M484 VERSION FOR USA
M487 CONTROL FOR FOG LIGHTS
M487 WITH SIDE MARKER LIGHTS
M488 INSCRIPTIONS IN GERMAN LANGUAGE
M490 SOUND SYSTEM
M491 TURBO-LOOK
M491 CARRERA 4S
M492 FOR LEFT-HAND TRAFFIC
M493 NARROW BODYWORK
M495 CARRERA S
M498 WITHOUT VEHICLE-TYPE-LETTERING ON REAR END
M499 VERSION FOR GERMANY
M513 BACK-SUPPORT (LORDOSE) RIGHT SEAT
M520 PASSENGER COMPARTMENT MONITORING
M529 ANTI-DRIVE-OFF FEATURE 315 MHZ
M530 ANTI-DRIVE-OFF FEATURE -96
M530 ANTI-DRIVE-OFF FEATURE 433 MHZ 97-
M534 THEFT SECURITY SYSTEM
M544 TANK OF 75 LITRES
M545 TANK OF 92 LITRES
M551 WIND DEFLECTOR
M553 VERSION FOR USA, CANADA
M561 AIRBAGDRIVER'S SIDE
M562 AIRBAGDRIVER'S SIDE AND FRONT PASSENGER'S SIDE
M564 WITHOUT AIRBAG
M566 FOG-HEADLAMPS, WHITE
M567 WINDSHIELD TINTED, UPPER PART
M567 DARKER COLOURED
M573 AIR CONDITIONER
M576 WITHOUT REAR FOG LAMP
M586 BACK-SUPPORT (LORDOSE) LEFT SEAT
M599 ROOF COVER MOLDING

M601 HEADLAMP LITRONIC
M602 ARAISED STOP LAMP
M605 HEADLIGHT VERTICAL AIM CONTROL
M611 PREPARATION OF TELEPHONE INSTALLATION
M611 NOKIA (D-NETWORK)
M614 PREPARATION OF TELEPHONE INSTALLATION
M614 MOTOROLA (D-NETWORK)
M615 FACILITY FOR THE INSTALLATION
M615 OF A NOKIA MOBILE PHONE
M631 CHILD'S SEAT DETECTION
M650 ELECTRICAL SLIDING ROOF
M651 ELECTRIC WINDOW OPENER
M656 WITHOUT POWER-ASSISTED STEERING
M657 POWER ASSISTED STEERING
M659 COMPUTER
M660 OBD 2
M661 STRICTER EMISSION-CONTROL CONCEPT
M680 -MJ 01 DIGITAL SOUND PACKAGE
M680 MJ 02- SOUND SYSTEM BOSE ANALOG
M685 REAR SEATS, DEVIDED
M686 RADIO "PORSCHE CDR-21"
M687 RADIO "MUECHEN RD 104"
M688 RADIO "PORSCHE CDR-210"
M692 CD-CHANGER "PORSCHE "
M693 CD-RADIO LONDON RDM 42
M936 SEAT COVERS REAR, LEATHER
M937 SEAT COVERS REAR, LEATHERETTE
M938 SEAT COVERS REAR, CLOTH
M939 SEAT COVERS REAR, DRAPED LEATHER
M946 SEAT COVERS FRONT,
M946 LEATHER/LEATHER/LEATHERETTE
M975 LUGGAGE BOOT TRIM
M975 WITH VELOUR CARPET
M981 LEATHER EQUIPMENT WITHOUT SEAT COVERS
M982 SEAT COVERS FRONT,
M982 DRAPED LEATHER/LEATHER/LEATHER
M983 SEAT COVERS FRONT, LEATHER
M990 SEAT COVERS FRONT,
M990 CLOTH/CLOTH/LEATHERETTE

Model	Year	MG	SG	Illustration	VIN No.	Update		
993	98	0	01	1		203	9:43	25.08.2006

TR203

THIS PARTS CATALOGUE CONTAINS ALL ORDER INFORMATION OF
 TYPE 911 - CARRERA FROM MODEL YEAR 1994
 - CARRERA S FROM MODEL YEAR 1997
 - CARRERA 4 FROM MODEL YEAR 1995
 - CARRERA 4S FROM MODEL YEAR 1996
 - CARRERA RS FROM MODEL YEAR 1995
 - TURBO FROM MODEL YEAR 1995

IT IS AVAILABLE IN TWO EDITIONS IN THE FOLLOWING LANGUAGES:

EDITION
 USA, CANADA - *

EDITION
 ALL OTHER COUNTRIES - GERMAN
 * - ENGLISH
 - FRENCH
 - ITALIAN
 - SPANISH

UPDATING IS BEING PERFORMED BY CHANGING OF UPDATE.

THE EDITION CAN BE RECOGNIZED BY THE CURRENT NO.
 IN THE BOTTOM LINE OF SUBJECT UPDATE.

THE PREVIOUS UPDATE SHOULD NO LONGER BE USED.

ALL ILLUSTRATIONS ARE SUBJECT TO CHANGE WITHOUT OBLIGATION.

THE SEATS FOR EACH MODEL ARE AVAILABLE IN THE PARTS CATALOGUE
 "SEATS (STZ 18)".

Model	Year	MG	SG	Illustration	VIN No.	Update	9:44	25.08.2006
993	98	0	01	1		203		

FR830

VEHICLE TYPE	MY	VIN	ENGINE	TYPE
911 CARRERA COUPE	94 R	99RS3 10061>19000	M64.05/06	200 KW
911 CARRERA COUPE (USA) (CDN)	94 R	99SS3 20061>29000	M64.07/08	200 KW
911 CARRERA CABRIO	94 R	99RS3 30061>39000	M64.05/06	200 KW
911 CARRERA CABRIO (USA) (CDN)	94 R	99SS3 40061>49000	M64.07/08	200 KW
911 CARRERA COUPE	95 S	99SS3 10061>19000	M64.05/06	200 KW
911 CARRERA COUPE (USA) (CDN)	95 S	99SS3 20061>29000	M64.07/08	200 KW
911 CARRERA RS	95 S	99SS3 90061>90207	M64.20	220 KW
911 CARRERA RS	95 S	99TS3 90061>90640	M64.20	220 KW
911 CARRERA CABRIO	95 S	99SS3 30061>39000	M64.05/06	200 KW
911 CARRERA CABRIO (USA) (CDN)	95 S	99SS3 40061>49000	M64.07/08	200 KW
911 CARRERA 4 COUPE	95 S	99SS3 10061>19000	M64.05	200 KW
911 CARRERA 4 COUPE (USA) (CDN)	95 S	99SS3 20061>29000	M64.07	200 KW
911 CARRERA 4 CABRIO	95 S	99SS3 30061>39000	M64.05	200 KW
911 CARRERA 4 CABRIO (USA) (CDN)	95 S	99SS3 40061>49000	M64.07	200 KW
911 TURBO COUPE (S) (CH) (AG)	95 S	99SS3 70061>73000	M64.60	300 KW
911 TURBO COUPE	95 S	99TS3 70061>71089	M64.60	300 KW
911 TURBO COUPE (USA) (CDN)	95 S	99TS3 75001>75544	M64.60	300 KW
911 CARRERA COUPE	96 T	99TS3 10061>19000	M64.21/22	210 KW
911 CARRERA COUPE (USA) (CDN) (BR)	96 T	99TS3 20061>29000	M64.23/24	210 KW
911 CARRERA RS	96 T	99SS3 90208>90999	M64.20	220 KW
911 CARRERA RS	96 T	99TS3 90641>90800	M64.20	220 KW
911 CARRERA CABRIO	96 T	99TS3 30061>39000	M64.21/22	210 KW
911 CARRERA CABRIO (USA) (CDN) (BR)	96 T	99TS3 40061>49000	M64.23/24	210 KW
911 CARRERA TARGA	96 T	99TS3 80061>85000	M64.21/22	210 KW
911 CARRERA TARGA (USA) (CDN) (BR)	96 T	99TS3 85061>89000	M64.23/24	210 KW
911 CARRERA 4 COUPE	96 T	99TS3 10061>19000	M64.21	210 KW
911 CARRERA 4 COUPE (USA) (CDN) (BR)	96 T	99TS3 20061>29000	M64.23	210 KW
911 CARRERA 4 CABRIO	96 T	99TS3 30061>39000	M64.21	210 KW
911 CARRERA 4 CABRIO (USA) (CDN) (BR)	96 T	99TS3 40061>49000	M64.23	210 KW
911 TURBO COUPE	96 T	99TS3 71090>73000	M64.60	300 KW
911 TURBO COUPE (USA) (CDN) (BR)	96 T	99TS3 75545>76000	M64.60	300 KW
911 CARRERA COUPE	97 V	99VS3 10061>19000	M64.21/22	210 KW
911 CARRERA COUPE (USA) (CDN)	97 V	99VS3 20061>29000	M64.23/24	210 KW
911 CARRERA COUPE (BR)	97 V	99TS3 29601>29999	M64.23/24	210 KW
911 CARRERA COUPE (BR)	97 V	99VS3 29201>29999	M64.23/24	210 KW
911 CARRERA CABRIO	97 V	99VS3 30061>39000	M64.21/22	210 KW
911 CARRERA CABRIO (USA) (CDN)	97 V	99VS3 40061>49000	M64.23/24	210 KW
911 CARRERA CABRIO (BR)	97 V	99VS3 49601>49999	M64.23/24	210 KW

PET V-Pages

Model	Year	MG	SG	Illustration	VIN No.	Update	9:44	25.08.2006
993	98	0	01	1		203		

FR203

VEHICLE TYPE	MY	VIN	ENGINE TYPE
911 CARRERA TARGA	97 V	99VS3 80061>85000	M64.21/22 210 KW
911 CARRERA TARGA (USA) (CDN)	97 V	99VS3 85061>89000	M64.23/24 210 KW
911 CARRERA TARGA (BR)	97 V	99VS3 89801>89999	M64.23/24 210 KW
911 CARRERA 4 COUPE	97 V	99VS3 10061>19000	M64.21 210 KW
911 CARRERA 4 COUPE (USA) (CDN)	97 V	99VS3 20061>29000	M64.23 210 KW
911 CARRERA 4 COUPE (BR)	97 V	99VS3 29401>29999	M64.23 210 KW
911 CARRERA 4 CABRIO	97 V	99VS3 30061>39000	M64.21 210 KW
911 CARRERA 4 CABRIO (USA) (CDN)	97 V	99VS3 40061>49000	M64.23 210 KW
911 CARRERA 4 CABRIO (BR)	97 V	99VS3 49801>49999	M64.23 210 KW
911 TURBO COUPE	97 V	99VS3 70061>73000	M64.60 300 KW
911 TURBO COUPE (USA) (CDN)	97 V	99VS3 75061>76000	M64.60 300 KW
911 TURBO COUPE (BR)	97 V	99VS3 79801>79999	M64.60 300 KW
911 CARRERA COUPE	98 W	99WS3 10061>19000	M64.21/22 210 KW
911 CARRERA COUPE (USA) (CDN)	98 W	99WS3 20061>29000	M64.23/24 210 KW
911 CARRERA COUPE (BR)	98 W	99WS3 29201>29999	M64.23/24 210 KW
911 CARRERA CABRIO	98 W	99WS3 30061>39000	M64.21/22 210 KW
911 CARRERA CABRIO (USA) (CDN)	98 W	99WS3 40061>49000	M64.23/24 210 KW
911 CARRERA CABRIO (BR)	98 W	99WS3 49601>49999	M64.23/24 210 KW
911 CARRERA TARGA	98 W	99WS3 80061>85000	M64.21/22 210 KW
911 CARRERA TARGA (USA) (CDN)	98 W	99WS3 85061>89000	M64.23/24 210 KW
911 CARRERA TARGA (BR)	98 W	99WS3 89801>89999	M64.23/24 210 KW
911 CARRERA 4 COUPE	98 W	99WS3 10061>19000	M64.21 210 KW
911 CARRERA 4 COUPE (USA) (CDN)	98 W	99WS3 20061>29000	M64.23 210 KW
911 CARRERA 4 COUPE (BR)	98 W	99WS3 29401>29999	M64.23 210 KW
911 CARRERA 4 CABRIO	98 W	99WS3 30061>39000	M64.21 210 KW
911 CARRERA 4 CABRIO (USA) (CDN)	98 W	99WS3 40061>49000	M64.23 210 KW
911 CARRERA 4 CABRIO (BR)	98 W	99WS3 49801>49999	M64.23 210 KW
911 TURBO COUPE	98 W	99WS3 70061>73000	M64.60 300 KW
911 TURBO COUPE (USA) (CDN)	98 W	99VS3 75061>77000	M64.60 300 KW
911 TURBO COUPE (MEX)	98 W	99WS3 75061>77000	M64.60 300 KW
911 TURBO COUPE (BR)	98 W	99WS3 79801>79999	M64.60 300 KW

PET V-Pages

Model	Year	MG	SG	Illustration	VIN No.	Update	9:44	25.08.2006
993	98	0	01	1		203		

TR203

EXPLANATION OF THE MOTOR-NUMBERS USED IN THE CATALOGUE
 =====

DIGIT:		1	2	3		4	5	6	7	8
EXAMPLE:		6	3	R		0	0	1	3	6
		=	=	=		=	=	=	=	=
		!	!	!		!				!
ENGINE TYPE (6 = 6-CYL.-ENGINE)	-----+	!	!	!		!				!
		!	!			!				!
ENGINE VERSION	-----+	!				!				!
		!				!				!
MODEL YEAR	-----+					!				!
						!				!
SERIAL NUMBER	-----+					!				!

Model	Year	MG	SG	Illustration	VIN No.	Update	9:44	25.08.2006
993	98	0	01	1		203		

MR830

VEHICLE TYPE		ENGINE					
		TYPE	MY	ENGINE NO.	TECHNICAL DATA		
911 CARRERA		M64.05	94 R	63R 00501>20000	6ZYL/3,6L /200 KW		
911 CARRERA	(USA) (CDN)	M64.07	94 R	64R 00501>20000	6ZYL/3,6L /200 KW		
911 CARRERA	TIPTRONIC	M64.06	94 R	63R 50501>60000	6ZYL/3,6L /200 KW		
911 CARRERA	TIPTRONIC (USA) (CDN)	M64.08	94 R	64R 50501>60000	6ZYL/3,3L /200 KW		
911 CARRERA		M64.05	95 S	63S 00501>20000	6ZYL/3,6L /200 KW		
911 CARRERA	(USA) (CDN)	M64.07	95 S	64S 00501>20000	6ZYL/3,6L /200 KW		
911 CARRERA	RS	M64.20	95 S	63S 85501>90000	6ZYL/3,75L/220 KW		
911 CARRERA	TIPTRONIC	M64.06	95 S	63S 50501>60000	6ZYL/3,6L /200 KW		
911 CARRERA	TIPTRONIC (USA) (CDN)	M64.08	95 S	64S 50501>60000	6ZYL/3,6L /200 KW		
911 CARRERA 4		M64.05	95 S	63S 00501>20000	6ZYL/3,6L /200 KW		
911 CARRERA 4	(USA) (CDN)	M64.07	95 S	64S 00501>20000	6ZYL/3,6L /200 KW		
911 TURBO		M64.60	95 S	61T 00501>20000	6ZYL/3,6L /300 KW		
911 CARRERA		M64.21	96 T	63T 00501>20000	6ZYL/3,6L /210 KW		
911 CARRERA	(USA) (CDN)	M64.23	96 T	64T 00501>20000	6ZYL/3,6L /210 KW		
911 CARRERA	RS	M64.20	96 T	63T 85501>90000	6ZYL/3,75L/220 KW		
911 CARRERA	TIPTRONIC	M64.22	96 T	63T 50501>60000	6ZYL/3,6L /210 KW		
911 CARRERA	TIPTRONIC	M64.24	96 T	64T 50501>60000	6ZYL/3,6L /210 KW		
911 CARRERA 4		M64.21	96 T	63T 00501>20000	6ZYL/3,6L /210 KW		
911 CARRERA 4	(USA) (CDN)	M64.23	96 T	64T 00501>20000	6ZYL/3,6L /210 KW		
911 TURBO		M64.60	96 T	61T 00501>20000	6ZYL/3,6L /300 KW		
911 CARRERA		M64.21	97 V	63V 00501>20000	6ZYL/3,6L /210 KW		
911 CARRERA	(USA) (CDN)	M64.23	97 V	64V 00501>20000	6ZYL/3,6L /210 KW		
911 CARRERA	TIPTRONIC	M64.22	97 V	63V 50501>60000	6ZYL/3,6L /210 KW		
911 CARRERA	TIPTRONIC (USA) (CDN)	M64.24	97 V	64V 50501>60000	6ZYL/3,6L /210 KW		
911 CARRERA 4		M64.21	97 V	63V 00501>20000	6ZYL/3,6L /210 KW		
911 CARRERA 4	(USA) (CDN)	M64.23	97 V	64V 00501>20000	6ZYL/3,6L /210 KW		
911 TURBO		M64.60	97 V	61V 00501>20000	6ZYL/3,6L /300 KW		

Model	Year	MG	SG	Illustration	VIN No.	Update	9:44	25.08.2006
993	98	0	01	1		203		

MR203

VEHICLE TYPE	ENGINE TYPE	MY	ENGINE NO.	ER	TECHNICAL DATA
911 CARRERA	M64.21	98 W	63W	00501>20000	6ZYL/3,6L /210 KW
911 CARRERA (USA) (CDN)	M64.23	98 W	64W	00501>20000	6ZYL/3,6L /210 KW
911 CARRERA TIPTRONIC	M64.22	98 W	63W	50501>60000	6ZYL/3,6L /210 KW
911 CARRERA TIPTRONIC (USA) (CDN)	M64.24	98 W	64W	50501>60000	6ZYL/3,6L /210 KW
911 CARRERA 4	M64.21	98 W	63W	00501>20000	6ZYL/3,6L /210 KW
911 CARRERA 4 (USA) (CDN)	M64.23	98 W	64W	00501>20000	6ZYL/3,6L /210 KW
911 TURBO	M64.60	98 W	61W	00501>20000	6ZYL/3,6L /300 KW

PET V-Pages

Model	Year	MG	SG	Illustration	VIN No.	Update		
993	98	0	01	1		203	9:44	25.08.2006

TR203

EXPLANATION OF THE TRANSMISSION-NUMBERS USED IN THE CATALOGUE

```

=====
DIGIT:                1  2  3  4  5      6  7  8  9 10 11
EXAMPLE:              G  5  0  2  0      1  0  0  5  4  3
                      =  =====      =  =====
                      !                !                !
                      !                !                !
TRANSMISSION TYPE-----+                !                !
                      !                !                !
TRANSMISSION VERSION-----+                !                !
                      !                !                !
INDEX OF VARIANTS-----+                !                !
                      !                !                !
SERIAL NUMBER-----+                !                !
    
```


PET V-Pages

Model	Year	MG	SG	Illustration	VIN No.	Update		
993	98	0	01	1		203	9:45	25.08.2006

GR203

VEHICLE TYPE	TYPE	MY	TRANSMISSION NO.	TECHNICAL DATA
911 CARRERA	G50.20	98 W	G5020 1 002001>999999	6-SPEED
911 CARRERA M220	G50.20	98 W	G5020 2 002001>999999	6-SPEED
911 CARRERA TIPTRONIC	A50.04	98 W	A5006 1 002001>999999	4-SPEED
911 CARRERA TIPTRONIC (USA) (RC)	A50.05	98 W	A5007 1 002001>999999	4-SPEED
911 CARRERA 4/4S	G64.20	98 W	G6420 2 002001>999999	6-SPEED
911 TURBO M220	G64.51	98 W	G6451 2 002001>999999	6-SPEED
911 TURBO M220 (RC)	G64.42	98 W	G6452 2 002001>999999	6-SPEED

Model	Year	MG	SG	Illustration	VIN No.	Update	9:45	25.08.2006
993	98	0	01	1		203		

TR203

LEGENDS AND NOTICES

=====

IN COLUMN -S- STATUS

- N NEW ADDITION
- P PART ALREADY IN PROGRAMME, BUT NEW AT THIS APPLICATION
- W DELETED AT THIS APPLICATION, BUT CONTINUED TO BE CARRIED
- A STOCK TO BE USED UP
- U DELETED WITHOUT REPLACEMENT
- * PART ALSO OR ONLY AVAILABLE IN REPAIR KIT
- > ALSO AVAILABLE IN EXCHANGE

IN COLUMN - ILL. -

- 1 IDENTIFICATION NO. IN ILLUSTRATION
- (1) PART ONLY SIMILAR AS ILLUSTRATED
- PART IS NOT ILLUSTRATED

FIG.-NUMBERS FOR WHICH THERE IS SHOWN NO TEXT ARE NOT VALID FOR THIS EDITION OF CATALOGUE

IN COLUMN -PART NUMBER/CODE-

000 000 000 00 PART NUMBER EQUALS ORDERING NO., IF A CODE IS SHOWN, IT WILL HAVE TO BE PART OF ORDERING NUMBER

01C COLOUR CODE

IN COLUMN -TEXT

INSTALLATION WITH ENGINE OR CHASSIS NUMBER-RANGE

EXAMPLE:

M 63R 00389>> FROM ENGINE NO.
F >>99RS3 00889 UP TO CHASSIS NO.

PET V-Pages

Model	Year	MG	SG	Illustration	VIN No.	Update	9:45	25.08.2006
993	98	0	01	1		203		

TR203

IN COLUMN - A -

IDENTIFICATION LETTER FOR PERIOD OF INSTALLATION
THAT IS REPEATED SEVERAL TIMES IN THE CATALOG GROUP.

EXPLANATION PLEASE FIND IN TEXT COLUMN OF THE CATALOG GROUP

IN COLUMN - QU - = NO. OF PIECES

- 1 NUMBER PER APPLICATION
- X NUMBER AS NEEDED
- * AVAILABLE ONLY IN RUNNING LENGTHS 1 = 1 METRE

IN COLUMN - MODEL/SYMBOL -

- M650 OPTIONAL EQUIPMENT - SEE M-NO. LIST
- 94 LIMITATION OF MODEL YEAR FOR INSTANCE: VALID UP TO
END OF MODEL YEAR 1994
- /LL LHD
- /RL RHD
- /V FRONT I
I
- /H REAR I
I----> APPLIES TO
DIRECTION OF TRAVEL
- /L LEFT I
I
- /R RIGHT I
-----+
- WW THE PART CAN BE USED INSTEAD OF THE
PRECEDING ONE.

Model	Year	MG	SG	Illustration	VIN No.	Update	9:45	25.08.2006
993	98	0	01	1		203		

TR830

EQUIPMENT BY COUNTRY REGULATIONS
=====

- (A) AUSTRIA
- (AG) ARABIAN GULF STATES
- (AUS) AUSTRALIA
- (B) BELGIUM
- (BR) BRAZIL
- (CDN) CANADA
- (CH) SWITZERLAND
- (D) FEDERAL REPUBLIC OF GERMANY
- (DK) DENMARK
- (E) SPAIN
- (F) FRANCE
- (GB) GREAT BRITAIN
- (GR) GREECE
- (HK) HONGKONG
- (I) ITALY
- (J) JAPAN
- (L) LUXEMBURG
- (N) NORWAY
- (NL) NETHERLANDS
- (NZ) NEW ZEALAND
- (P) PORTUGAL
- (RC) TAIWAN
- (S) SWEDEN
- (SA) SAUDI ARABIA
- (SF) FINLAND
- (USA) UNITED STATES OF AMERICA
- (ZA) SOUTH AFRICA