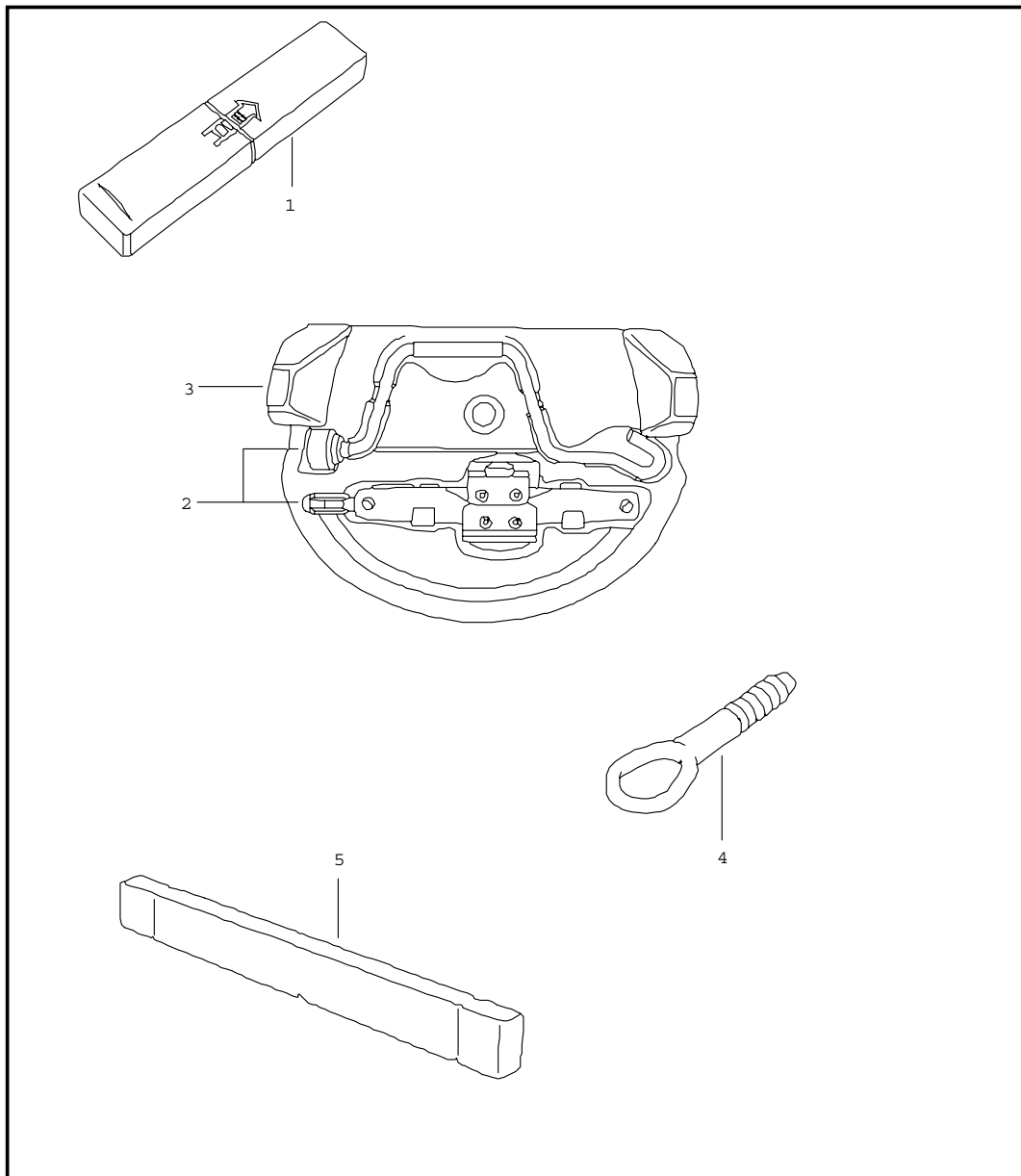


| | | | | | | | | | | | |
|-------|------|----|----|--------------|--------------|--------|------|------------|---------|-----|---------|
| Model | Year | MG | SG | Illustration | Restrictions | Update | 7:12 | 28.08.2006 | PORSCHE | PET | PORSCHE |
| 997 | 07 | 0 | 01 | 1-00 | | 203 | | | | | |



| Pos | Part Number | Name | Remarks | Qty | Model |
|-----|----------------|---|---------|-----|--------------|
| 1 | 997 721 115 00 | tool jack tool kit with contents comprising: | | 1 | |
| - | - | double-end spanner 10 X 13 | | 1 | |
| - | - | screw driver | | 1 | |
| - | - | handle for screw driver | | 1 | |
| - | 999 571 077 02 | socket wrench - 5 - for headlamp | | 1 | |
| 2 | 996 721 211 00 | scissors type jack | | 1 | I447 |
| 3 | 996 722 101 00 | foam part | | 1 | I447 |
| - | 999 571 074 30 | threaded bolt for assembly wheels | | 1 | I447 |
| 4 | 997 721 551 00 | towing lug | | 1 | |
| 5 | 000 722 722 05 | warning triangle | | 1 | |
| - | 997 722 709 00 | support warning triangle | | 2 | CARRERA 4/4S |
| - | 993 722 041 00 | first-aid kit | | 1 | |
| | | - - - E N D - - - | | | |

| | | | | | | | | |
|-------|------|----|----|--------------|--------------|--------|------|------------|
| Model | Year | MG | SG | Illustration | Restrictions | Update | 7:12 | 28.08.2006 |
| 997 | 07 | 0 | 01 | 1-05 | | 203 | | |

| Pos | Part Number | Name | Remarks | Qty | Model |
|-----|----------------|---|---------|-----|-------|
| | | stickers | | | |
| | | stickers | | 1 | I447 |
| | | emergency wheel | | | |
| - | 996 361 701 20 | sticker english | | 1 | (AUS) |
| - | 997 361 701 00 | sticker arabic | | 1 | I215 |
| - | 928 701 150 00 | sticker "MAX 80 KM/H" | | 1 | |
| | | stickers engine specifications | | | |
| 2 | 996 006 108 00 | sticker | 05 | 1 | I068 |
| 2 | 997 006 108 00 | sticker | 06- | 1 | I068 |
| 3 | 996 006 120 00 | indication sticker expansion tank coolant | 05 | 1 | |
| 4 | 997 006 544 00 | sticker engine oil - MOBIL 1 - | | 1 | |
| | | stickers type of fuel | | | |
| 5 | 996 006 117 00 | sticker 98 ROZ | | 1 | |
| 5 | 996 006 117 02 | sticker 96 ROZ | | 1 | (AUS) |
| 5 | 996 006 117 01 | sticker 98 ROZ | | 1 | I150 |
| 5 | 996 006 117 03 | sticker 93 RON/MON/2 | | 1 | (J) |
| | | stickers airbag | | | |
| 6 | 3B0 010 219 B | sticker child car seat | | 1 | |
| 6 | 8D0 010 141 Q | sticker child car seat | | 1 | (AUS) |
| 6 | 997 701 430 00 | sticker child car seat german | | 1 | |
| 6 | 997 701 430 01 | sticker child car seat english | | 1 | |

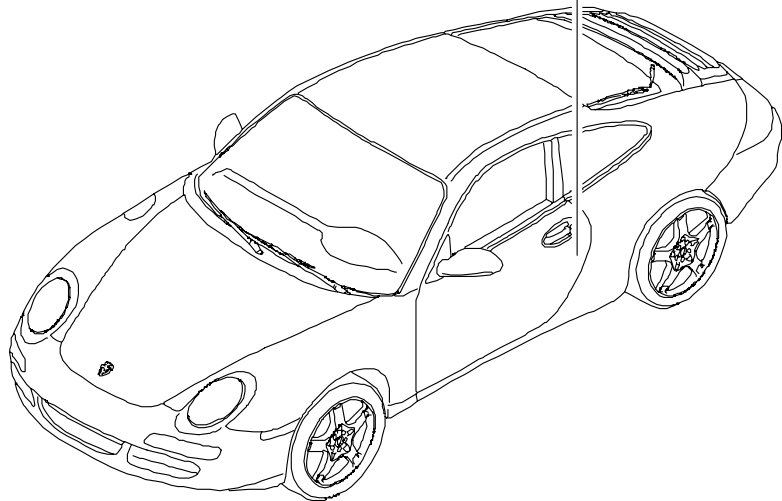
| | | | | | | | | |
|-------|------|----|----|--------------|--------------|--------|------|------------|
| Model | Year | MG | SG | Illustration | Restrictions | Update | 7:12 | 28.08.2006 |
| 997 | 07 | 0 | 01 | 1-05 | | 203 | | |

| Pos | Part Number | Name | Remarks | Qty | Model |
|-----|----------------|---|---------|-----|--------|
| 6 | 997 701 430 02 | sticker child car seat french | | 1 | |
| 6 | 997 701 430 03 | sticker child car seat italian | | 1 | |
| 6 | 997 701 430 04 | sticker child car seat swedish | | 1 | |
| 6 | 997 701 430 05 | sticker child car seat spanish | | 1 | |
| 6 | 997 701 430 06 | sticker child car seat arabic | | 1 | |
| 6 | 997 701 430 07 | sticker child car seat chinese | 06- | 1 | |
| 9 | 996 701 141 01 | sticker air conditioner | | 1 | |
| 10 | 997 701 170 00 | sticker first-aid kit | | 1 | |
| | | stickers folding top control see group 8/07/09 | | | CABRIO |
| | | - - - E N D - - - | | | |

| | | | | | | | | | | | |
|-------|------|----|----|--------------|--------------|--------|------|------------|---------|-----|---------|
| Model | Year | MG | SG | Illustration | Restrictions | Update | 7:13 | 28.08.2006 | PORSCHE | PET | PORSCHE |
| 997 | 07 | 0 | 04 | 4-00 | | 203 | | | | | |

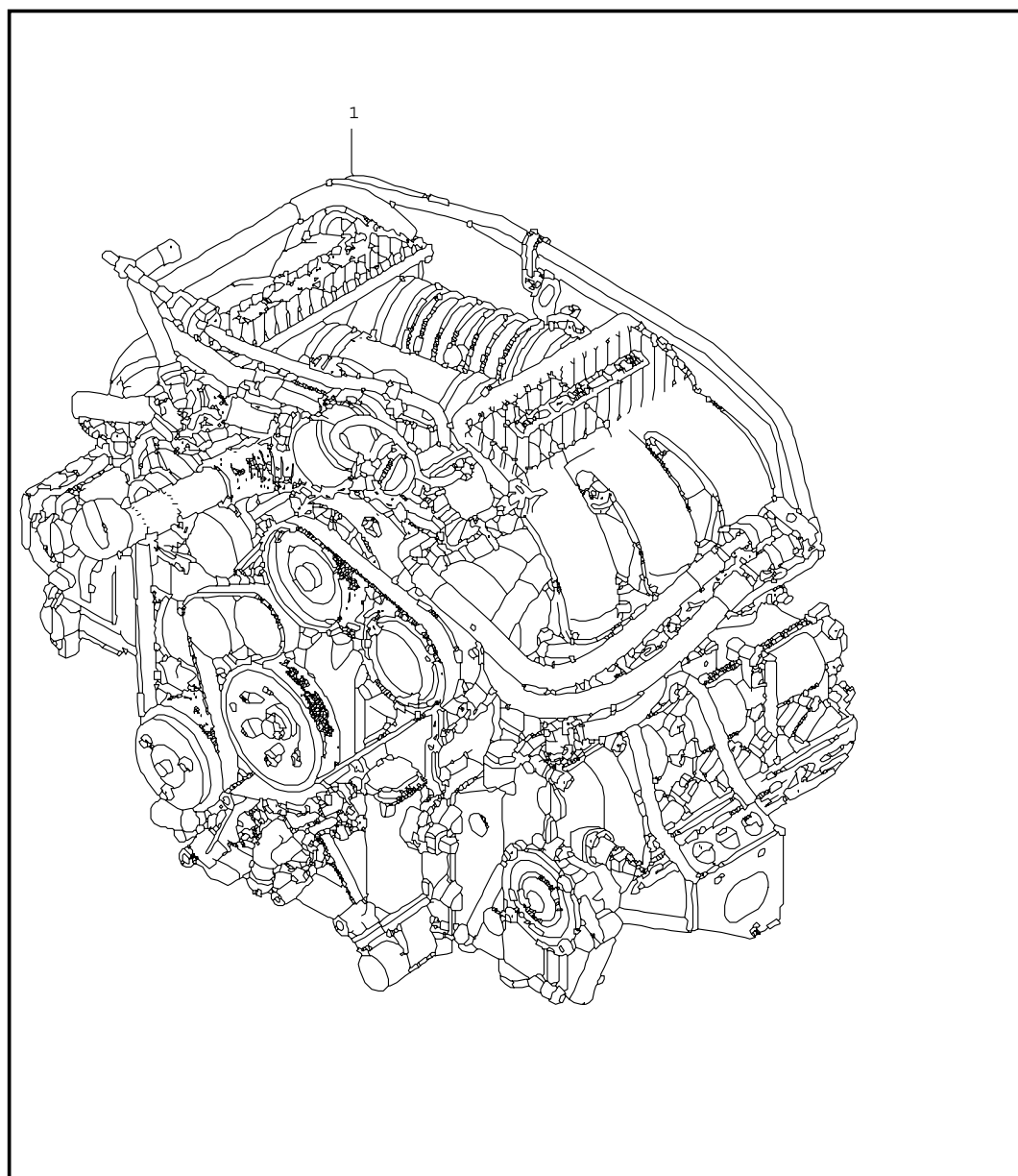
| | | | | | | | | | |
|--|--|--|--|--|--|--|--|--|--|
| Codes: 29H Libellé Turbos Mercedes | | | | | | | | | |
| | | | | | | | | | |
| | | | | | | | | | |
| | | | | | | | | | |
| | | | | | | | | | |
| | | | | | | | | | |
| | | | | | | | | | |
| | | | | | | | | | |
| | | | | | | | | | |
| | | | | | | | | | |

A Made in Germany
 Reifenfülldruck kalte Reifen (20°). Nur Porsche freigegebene Reifen verwenden. Bei Reifenpanne siehe Fahrzeug Bedienungsanleitung.
 Cold tyre inflation pressure (20°). Use only tyres released by Porsche. In case of tyre trouble see Operating Instructions.
 Pression des pneus froids (20°) N'utilisez que des pneus autorisés par Porsche. En cas de crevaision d'un pneu consulter les Instructions de service.
 Presion de neumáticos fríos (20°). Utilice únicamente neumáticos homologados por Porsche. En caso de pinchazo de neumático consulte las instrucciones de servicio del automóvil.
 Pressione pneumatici freddi (20°). Usare soltanto pneumatici omologati da Porsche. In caso di foratura vedere libretto uso e manutenzione.



| Pos | Part Number | Name | Remarks | Qty | Model |
|-----|----------------|--|---------|-----|-------|
| - | 911 095 932 20 | paint touch-up applicator lacquers | | X | |
| | 719 | black | | | A 1 |
| | 80K | guards red | | | G 1 |
| | B9A | carrara white | | | B 4 |
| | 12G | speed yellow | | | X 4 |
| - | 911 095 933 20 | paint touch-up applicator set comprising: paint touch-up applicator primer paint touch-up applicator clear lacquer | | X | |
| | 92T | arctic silver metallic | | | X 1 |
| | M3W | carmon red metallic | | | E 4 |
| | M5W | lapis blue metallic | | | J 2 |
| | M6W | lagoon green metallic | | | G 4 |
| | C9Z | basalt black metallic | | | Z 4 |
| | M7X | atlas grey metallic | | | E 7 |
| | 37W | midnight blue metallic | | | E 9 |
| | 6B5 | seal grey metallic | | | Y 1 |
| | 22E | forest green metallic | | | 53 |
| | 37U | cobalt blue metallic | | | 56 |
| | 22D | slate grey metallic | | | 59 |
| | M7Z | gt silver metallic | | | U 2 |
| | M6X | dark olive-metallic | | | 7 G |
| | M7W | meteor grey metallic | 07- | | 9 Q |
| | | - - - E N D - - - | | | |

| | | | | | | | | | | | |
|-------|------|----|----|--------------|--------------|--------|------|------------|---------|-----|---------|
| Model | Year | MG | SG | Illustration | Restrictions | Update | 7:13 | 28.08.2006 | PORSCHE | PET | PORSCHE |
| 997 | 07 | 1 | 01 | 101-00 | | 203 | | | | | |

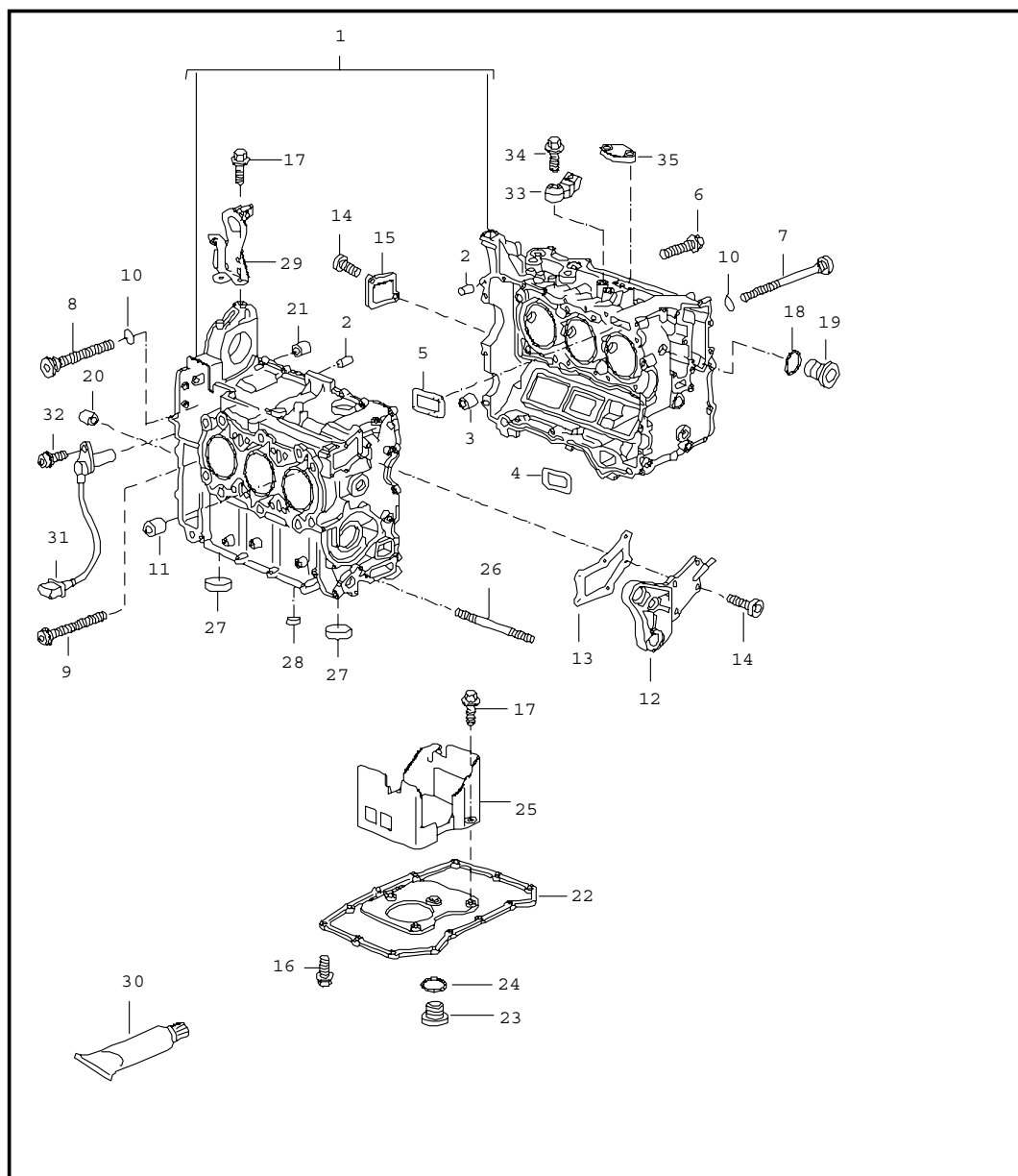


| Pos | Part Number | Name | Remarks | Qty | Model |
|-------|----------------|--|---------|-----|---------------------|
| | | replacement engine | | | M97.01 M96.05 |
| | | without drive plate tiptronic without flywheel manual transmission without compressor | | | |
| 1 > | 997 100 997 00 | replacement engine | 05 | 1 | M97.01 I 480 |
| 1 > | 997 100 997 02 | replacement engine | 06 | 1 | M97.01 I 480 |
| 1 N | 997 100 997 04 | replacement engine | 07 | 1 | M97.01 I 480 |
| 1 > | 997 100 997 40 | replacement engine | 06 | 1 | M97.01 I 480 X51 |
| 1 N | 997 100 997 42 | replacement engine | 07 | 1 | M97.01 I 480 X51 |
| 1 > | 997 100 997 01 | replacement engine | 05 | 1 | M97.01 I 249 |
| 1 > | 997 100 997 03 | replacement engine | 06 | 1 | M97.01 I 249 |
| 1 N | 997 100 997 05 | replacement engine | 07 | 1 | M97.01 I 249 |
| 1 > | 997 100 997 41 | replacement engine | 06 | 1 | M97.01 I 249 X51 |
| 1 N | 997 100 997 43 | replacement engine | 07 | 1 | M97.01 I 249 X51 |
| | | technical information GRUPPE 1 NR.4/04 attention | | | |
| (1) A | 996 100 996 21 | replacement engine | 05 | 1 | M96.05 I 480 |
| (1) A | 996 100 996 31 | replacement engine | 05 | 1 | M96.05 I 480 |
| (1) | 996 100 996 33 | replacement engine until 01/05 use | 05 | 1 | M96.05 I 480 |

| | | | | | | | | | | | |
|-------|------|----|----|--------------|--------------|--------|------|------------|---------|-----|---------|
| Model | Year | MG | SG | Illustration | Restrictions | Update | | | | | |
| 997 | 07 | 1 | 01 | 101-00 | | 203 | 7:13 | 28.08.2006 | PORSCHE | PET | PORSCHE |

| Pos | Part Number | Name | Remarks | Qty | Model | Pos | Part Number | Name | Remarks | Qty | Model |
|-----|------------------|-----------------------|---------|-----|-----------------|-----|-------------|------|---------|-----|-------|
| (1) | > 996 100 997 02 | replacement engine | 06 | 1 | M96.05 I 480 | | | | | | |
| | | from 02/05 use | | | | | | | | | |
| (1) | N 996 100 997 04 | replacement engine | 07 | 1 | M96.05 I 480 | | | | | | |
| (1) | A 996 100 996 22 | replacement engine | 05 | 1 | M96.05 I 249 | | | | | | |
| (1) | A 996 100 996 32 | replacement engine | 05 | 1 | M96.05 I 249 | | | | | | |
| (1) | > 996 100 996 34 | replacement engine | 05 | 1 | M96.05 I 249 | | | | | | |
| | | until 01/05 use | | | | | | | | | |
| (1) | > 996 100 997 03 | replacement engine | 06 | 1 | M96.05 I 249 | | | | | | |
| | | from 02/05 use | | | | | | | | | |
| (1) | N 996 100 997 05 | replacement engine | 07 | 1 | M96.05 I 249 | | | | | | |
| | | - - - E N D - - - | | | | | | | | | |

| | | | | | | | | | | | |
|-------|------|----|----|--------------|--------------|--------|------|------------|---------|-----|---------|
| Model | Year | MG | SG | Illustration | Restrictions | Update | 7:13 | 28.08.2006 | PORSCHE | PET | PORSCHE |
| 997 | 07 | 1 | 01 | 101-05 | | 203 | | | | | |

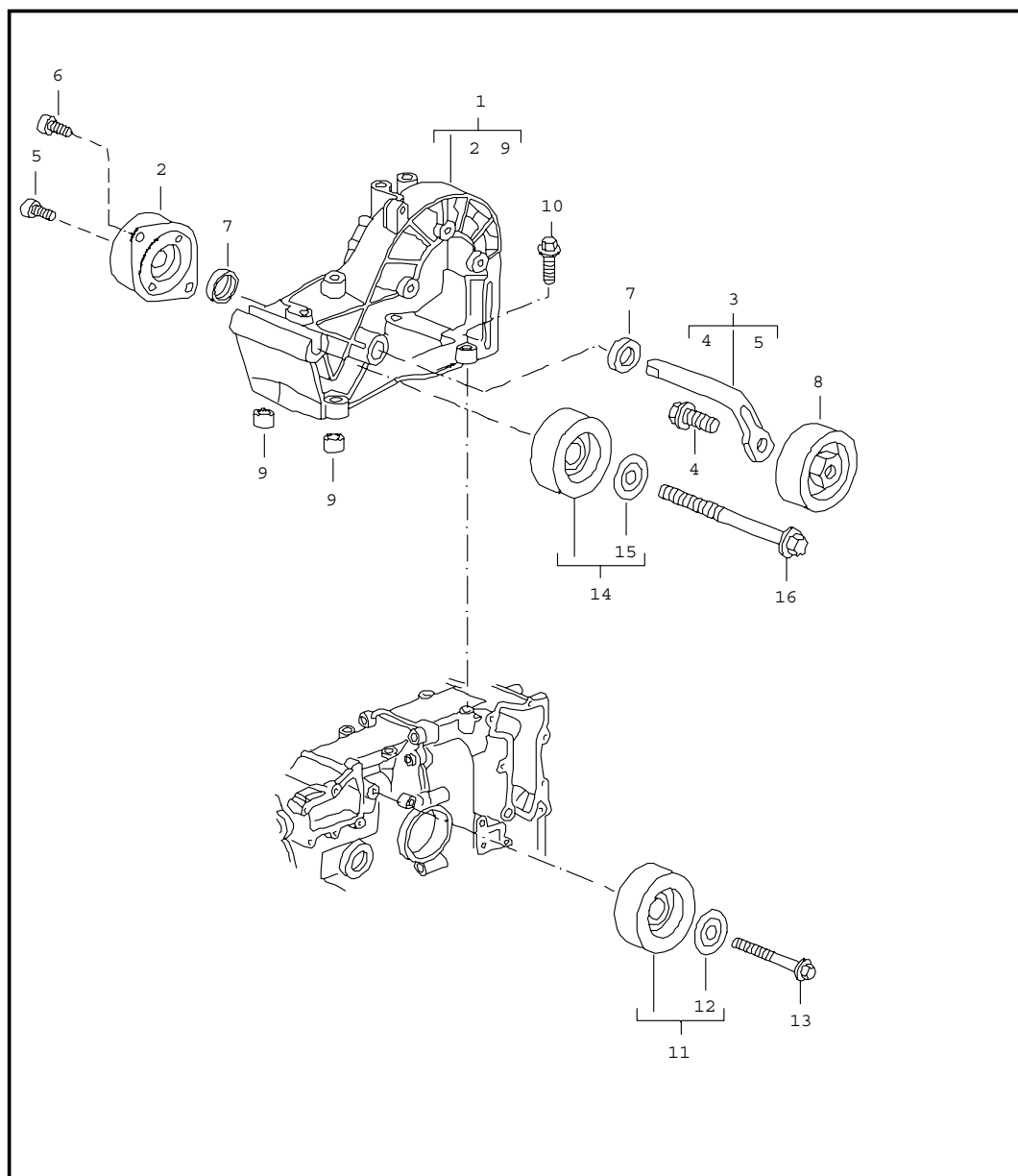


| Pos | Part Number | Name | Remarks | Qty | Model |
|-----|----------------|--|---------|-----|------------------|
| | | crankcase | | | M97.01 M96.05 |
| 1 | 997 101 001 06 | crankcase use also: 996.101.007.06 996.101.018.51 | | 1 | M97.01 |
| (1) | 996 101 901 07 | crankcase | | 1 | M96.05 |
| 2 | 999 012 049 00 | straight pin | | 3 | |
| 3 | 996 101 253 51 | dowel sleeve | | 3 | |
| 4 | 996 101 361 51 | gasket | | 1 | |
| 5 | 996 101 363 50 | gasket | | 1 | |
| 6 | 900 385 270 04 | torx screw M 6 X 35 | | 20 | |
| (6) | 999 385 004 09 | torx screw BM 6 X 35 blue coated | | 4 | |
| 7 | 996 101 219 52 | screw 9 X 150 | | 1 | |
| 8 | 996 101 229 00 | screw M 9 X 94 | | 1 | |
| 9 | 996 101 203 00 | screw M 9 X 94 | | 1 | |
| 10 | 999 701 789 40 | o-ring 12 X 2 use also: grease 000.043.300.13 | | 2 | X |
| 11 | 999 095 043 01 | dowel sleeve 17P 6 X 18,5 | | 4 | |
| 12 | 996 101 021 52 | cover | | 1 | |
| 13 | 996 101 331 50 | gasket | | 1 | |
| 14 | 900 378 103 09 | hexagon-head bolt M 6 X 20 | | 6 | |
| 15 | 996 101 016 00 | cover | | 1 | |
| 16 | 900 385 019 04 | torx screw M 6 X 20 | | 13 | |
| 17 | 900 385 009 09 | torx screw M 6 X 16 | | 5 | |

| | | | | | | | | | | | |
|-------|------|----|----|--------------|--------------|--------|------|------------|---------|-----|---------|
| Model | Year | MG | SG | Illustration | Restrictions | Update | 7:13 | 28.08.2006 | PORSCHE | PET | PORSCHE |
| 997 | 07 | 1 | 01 | 101-05 | | 203 | | | | | |

| Pos | Part Number | Name | Remarks | Qty | Model | Pos | Part Number | Name | Remarks | Qty | Model |
|------|----------------|-------------------------------------|---------|-----|-------|-----|-------------|------|---------|-----|-------|
| 18 | 900 123 147 30 | sealing ring A 27 X 32 | | 1 | | | | | | | |
| 19 | 900 219 017 30 | screw plug M 27 X 2 | | 1 | | | | | | | |
| 20 | 014 301 153 B | dowel sleeve 13 X 16 X13,5 | | 2 | | | | | | | |
| 21 | 996 101 253 00 | dowel sleeve for gear carrier | | 2 | | | | | | | |
| 22 | 996 107 031 55 | oil pan | | 1 | | | | | | | |
| 23 | 900 219 009 30 | screw plug M 18 X 1,5 | | 1 | | | | | | | |
| 24 | 900 123 106 30 | sealing ring A 18 X 24 | | 1 | | | | | | | |
| 25 | 997 107 243 00 | bulkhead | | 1 | | | | | | | |
| 26 | 999 218 110 09 | stud M 10 X 102 | | 4 | | | | | | | |
| 27 | 999 036 005 02 | cover B 50 | | 2 | | | | | | | |
| 28 | 000 043 300 19 | cover B 16 | | 2 | | | | | | | |
| 29 | | see illustrations 1/07/05 | | 1 | | | | | | | |
| 30 | 000 043 203 73 | sealing compound 30 ML | | X | | | | | | | |
| (30) | 000 043 204 35 | sealing compound 50 ML | | X | | | | | | | |
| 31 | 986 606 112 03 | pulse sender | | 1 | | | | | | | |
| 32 | 900 387 264 09 | pan-head screw M 6 X 16 | | 1 | | | | | | | |
| 33 | 997 606 121 00 | knock sensor | | 2 | | | | | | | |
| 34 | 900 385 090 04 | torx screw BM 8 X 35 | | 2 | | | | | | | |
| 35 | | see illustrations 1/08/05 | | X | | | | | | | |
| | | - - - E N D - - - | | | | | | | | | |

| | | | | | | | | | | | |
|-------|------|----|----|--------------|--------------|--------|------|------------|---------|-----|---------|
| Model | Year | MG | SG | Illustration | Restrictions | Update | 7:14 | 28.08.2006 | PORSCHE | PET | PORSCHE |
| 997 | 07 | 1 | 01 | 101-10 | | 203 | | | | | |

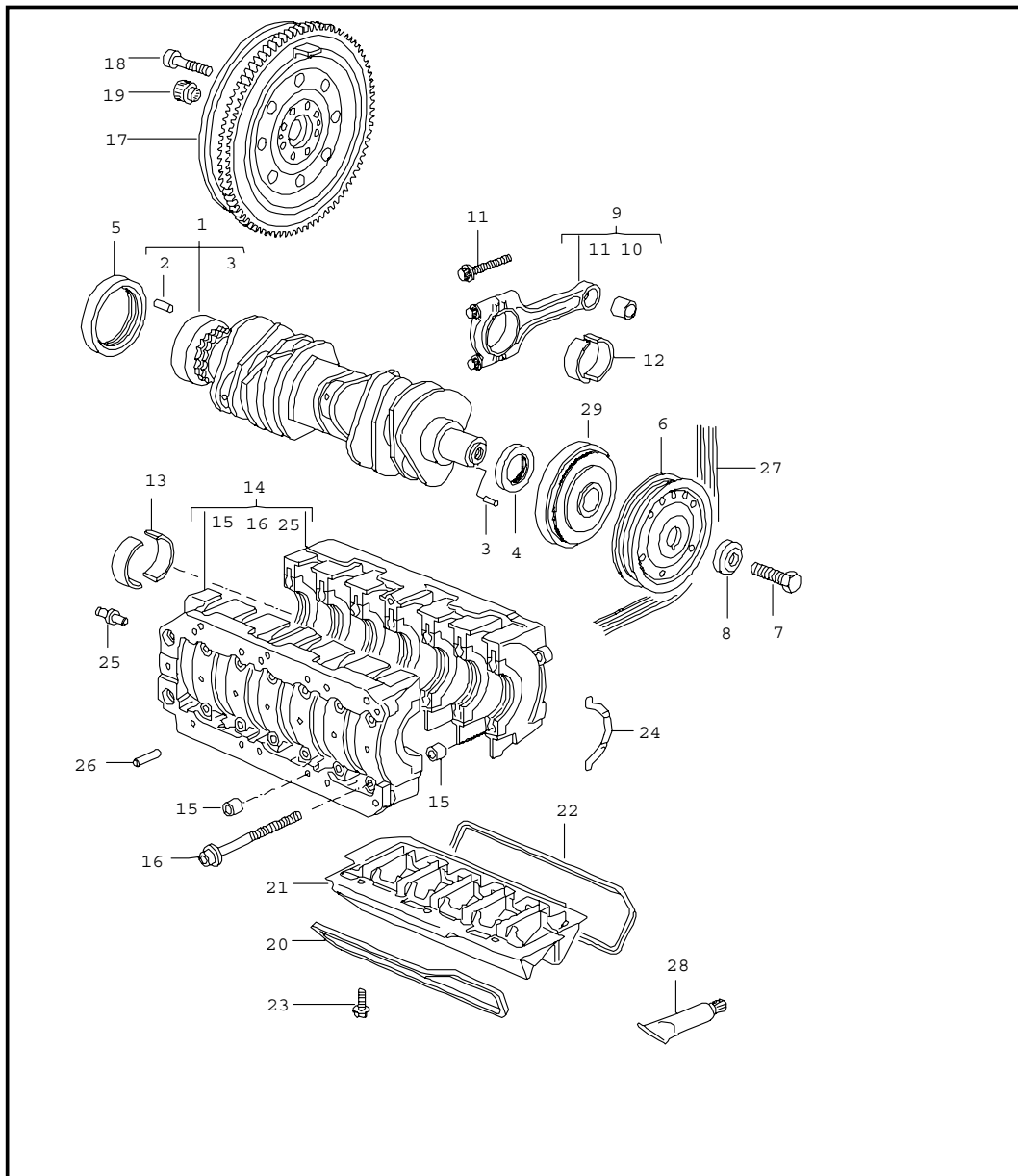


| Pos | Part Number | Name | Remarks | Qty | Model |
|------|----------------|--------------------------------|---------|-----|------------------|
| | | belt tensioner belt drive | | | M97.01 M96.05 |
| 1 | 997 102 016 00 | bracket | | 1 | M97.01 |
| 1 | 997 102 016 00 | bracket | | 1 | M96.05/I480 |
| (1) | 996 102 016 01 | bracket | | 1 | M96.05/I249 |
| 2 | 997 102 260 00 | tensioner | | 1 | |
| 3 | 996 102 360 51 | lever | | 1 | |
| 4 | 999 072 041 09 | hexagon-head bolt M 10 X 30 | | 1 | |
| 5 | 900 067 117 03 | pan-head screw M 6 X 16 | | 1 | |
| 6 | 999 067 045 09 | pan-head screw M 8 X 22 | | 2 | |
| 7 | 996 102 365 50 | dust boot | | 2 | |
| 8 | 997 102 117 00 | tensioning roller | | 1 | M97.01 |
| 8 | 997 102 117 00 | tensioning roller | | 1 | M96.05/I480 |
| (8) | 996 102 117 56 | tensioning roller | | 1 | M96.05/I249 |
| 9 | 999 095 064 00 | dowel sleeve 12 M 6 X 13 | | 2 | |
| 10 | 900 385 090 04 | torx screw BM 8 X 35 | | 4 | |
| (11) | 997 102 119 00 | deflection roller | | 1 | M97.01 |
| (11) | 997 102 119 00 | deflection roller | | 1 | M96.05/I480 |
| 11 | 996 102 119 58 | deflection roller | | 1 | M96.05/I249 |
| 12 | 996 102 127 54 | cover disc | | 1 | M96.05/I249 |
| 13 | 900 385 091 04 | torx screw BM 8 X 60 | | 1 | |
| (14) | 997 102 118 00 | deflection roller | | 1 | M97.01 |
| (14) | 997 102 118 00 | deflection roller | | 1 | M96.05/I480 |
| 14 | 996 102 118 56 | deflection roller | | 1 | M96.05/I249 |
| 15 | 996 102 125 53 | cover disc | | 1 | M96.05/I249 |
| 16 | 900 385 092 04 | torx screw BM 10 X 145 | | 1 | |

| | | | | | | | | | | | |
|-------|------|----|----|--------------|--------------|--------|------|------------|---------|-----|---------|
| Model | Year | MG | SG | Illustration | Restrictions | Update | | | | | |
| 997 | 07 | 1 | 01 | 101-10 | | 203 | 7:14 | 28.08.2006 | PORSCHE | PET | PORSCHE |

| Pos | Part Number | Name | Remarks | Qty | Model | Pos | Part Number | Name | Remarks | Qty | Model |
|-----|-------------|-------------------|---------|-----|-------|-----|-------------|------|---------|-----|-------|
| | | - - - E N D - - - | | | | | | | | | |

| | | | | | | | | | | | |
|-------|------|----|----|--------------|--------------|--------|------|------------|---------|-----|---------|
| Model | Year | MG | SG | Illustration | Restrictions | Update | 7:14 | 28.08.2006 | PORSCHE | PET | PORSCHE |
| 997 | 07 | 1 | 02 | 102-00 | | 203 | | | | | |

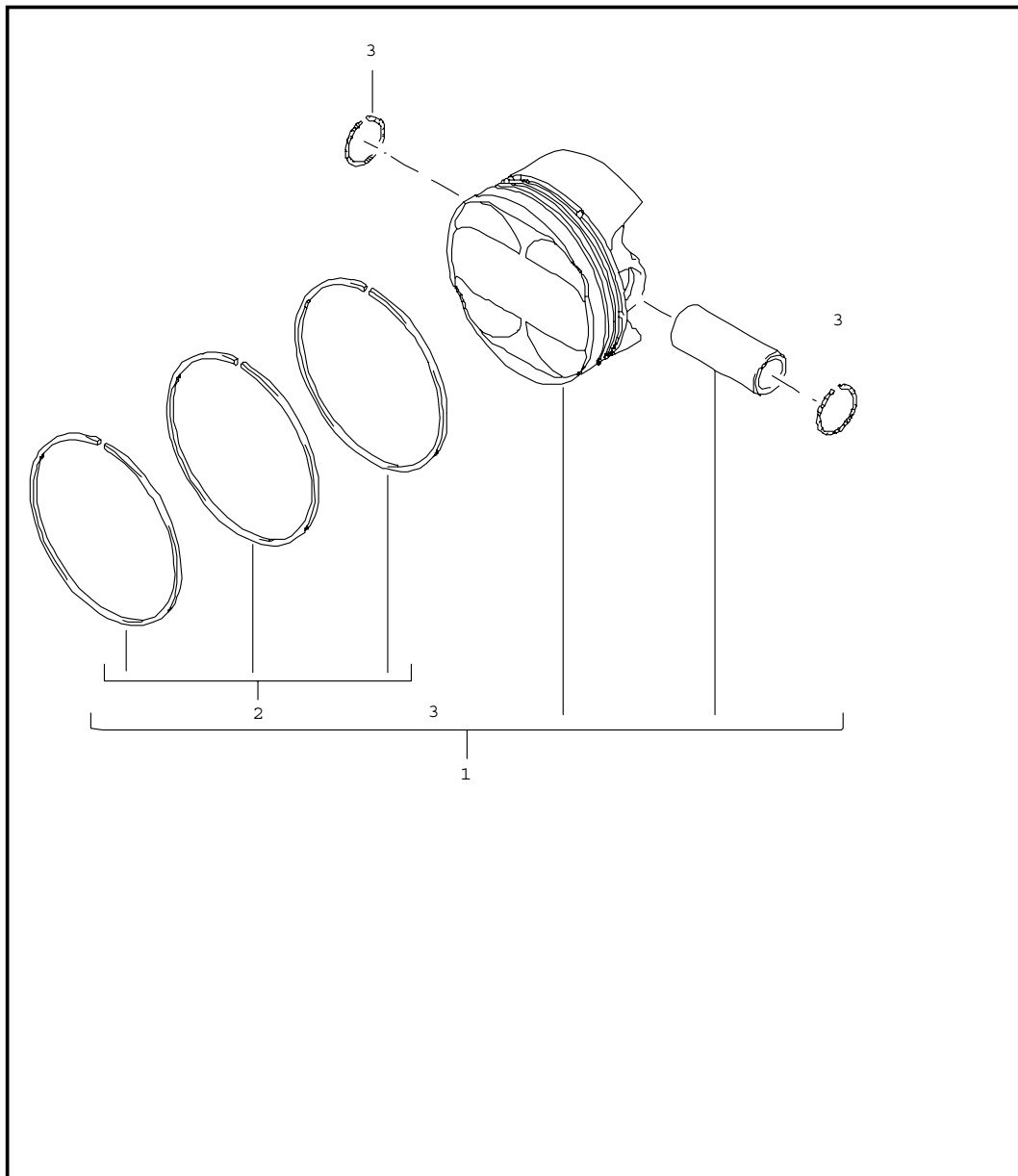


| Pos | Part Number | Name | Remarks | Qty | Model |
|------|------------------|---|---------|--------|------------------|
| | | crankshaft | | | M97.01 M96.05 |
| 1 | 996 102 012 04 | crankshaft | | 1 | |
| 2 | 900 095 031 01 | roll pin 6,0 X 16 | | 1 | |
| 3 | 900 302 021 00 | straight pin A 4,0 X 10 | | 1 | |
| 4 | 999 113 475 40 | shaft seal 40 X 62 X 10 | | 1 | |
| 5 | U 999 113 490 41 | shaft seal 85 X 105 X 11 | | 1 | |
| 5 | 997 101 212 00 | shaft seal 85 x 105 x 11 | | 1 | |
| 6 | 996 102 115 63 | pulley | | 1 | M96.05 |
| - | 997 102 203 00 | washer | | 1 | |
| 7 | 997 102 202 00 | screw pulley | | 1 | |
| 8 | 996 102 315 50 | thrust washer | | 1 | |
| 9 | 996 103 985 02 | 1 set connecting rods comprising: 6 connecting rods | | 1 | |
| 10 | 996 103 111 51 | connecting rod bush | | 6 | |
| 11 | 997 103 115 01 | connecting rod bolt | | 12 | |
| 12 | 996 103 121 62 | connecting-rod bearing | | 12 | |
| 13 | 996 101 209 04 | crankshaft bearing | | 14 | |
| (14) | 996 101 007 06 | gear carrier use also: 996 101 018 51 | | 1 6 | |
| 15 | 999 095 064 00 | dowel sleeve 12 M 6 X 13 | | 3 | |
| 16 | 996 101 115 59 | screw M 9 X 127 | | 14 | |
| 17 | 997 114 012 00 | double-mass flywheel | | 1 | M97.01 |
| (17) | 996 114 012 03 | double-mass flywheel | | 1 | M96.05 |

| | | | | | | | | | | | | |
|-------|------|----|----|--------------|--------------|--------|------|------------|--|---------|-----|---------|
| Model | Year | MG | SG | Illustration | Restrictions | Update | | | | PORSCHE | PET | PORSCHE |
| 997 | 07 | 1 | 02 | 102-00 | | 203 | 7:14 | 28.08.2006 | | | | |

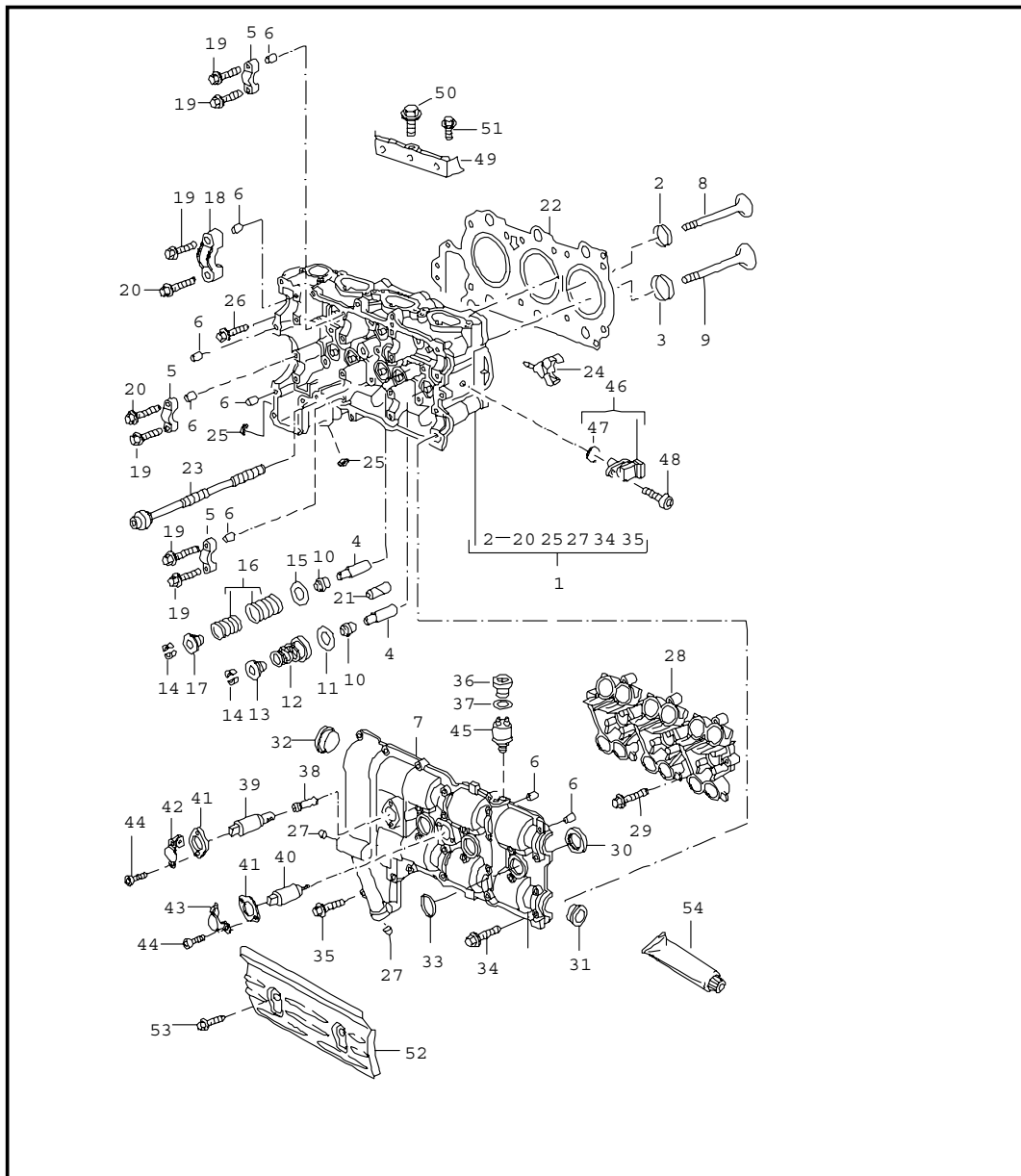
| Pos | Part Number | Name | Remarks | Qty | Model | Pos | Part Number | Name | Remarks | Qty | Model |
|-----|----------------|--|---------|-----|--------|-----|-------------|------|---------|-----|-------|
| 18 | 999 073 092 09 | pan-head screw M 10 X 1 X 50 | | 8 | | | | | | | |
| 19 | 999 052 210 00 | deep-groove ball bearing 15 X 35 X 11 | | 1 | | | | | | | |
| 20 | 996 101 241 51 | gasket | | 1 | | | | | | | |
| 21 | 996 101 010 00 | oil separator | | 1 | | | | | | | |
| 22 | 996 101 242 51 | gasket | | 1 | | | | | | | |
| 23 | 900 385 050 09 | torx screw BM 6 X 16 | | 6 | | | | | | | |
| 24 | 996 101 132 00 | thrust washer | | 2 | | | | | | | |
| 25 | 996 101 117 53 | straight pin | | 1 | | | | | | | |
| 26 | 996 101 018 51 | splash valve | | 6 | | | | | | | |
| 27 | 996 102 151 66 | poly-rib belt | | 1 | M 573 | | | | | | |
| 28 | 000 043 204 17 | grease Otipit 100 GR. | | X | | | | | | | |
| 29 | 997 102 241 01 | vibration damper | | 1 | M97.01 | | | | | | |
| | | - - - E N D - - - | | | | | | | | | |

| | | | | | | | | | | | |
|-------|------|----|----|--------------|--------------|--------|------|------------|---------|-----|---------|
| Model | Year | MG | SG | Illustration | Restrictions | Update | 7:14 | 28.08.2006 | PORSCHE | PET | PORSCHE |
| 997 | 07 | 1 | 02 | 102-05 | | 203 | | | | | |



| Pos | Part Number | Name | Remarks | Qty | Model |
|-----|----------------|--|---------|-----|------------------|
| | | piston | | | M97.01 M96.05 |
| 1 | 997 103 030 25 | piston tolerance range X number plate - 536 - 542 G | | 6 | M97.01 |
| 1 | 997 103 030 26 | piston tolerance range X number plate + 542 - 548 G | | 6 | M97.01 |
| (1) | 996 103 052 19 | piston tolerance range X number plate - 525 - 530 G | | 6 | M96.05 |
| (1) | 996 103 052 20 | piston tolerance range X number plate + 531 - 536 G | | 6 | M96.05 |
| 2 | 997 103 053 05 | set of piston rings | | 6 | M97.01 |
| (2) | 996 103 053 04 | set of piston rings | | 6 | M96.05 |
| 3 | 996 103 141 03 | circlip | | 12 | |
| | | - - - E N D - - - | | | |

| | | | | | | | | | | | |
|-------|------|----|----|--------------|--------------|--------|------|------------|---------|-----|---------|
| Model | Year | MG | SG | Illustration | Restrictions | Update | 7:14 | 28.08.2006 | PORSCHE | PET | PORSCHE |
| 997 | 07 | 1 | 03 | 103-00 | | 203 | | | | | |



| Pos | Part Number | Name | Remarks | Qty | Model |
|-----|----------------|---|--------------|-----|------------------|
| | | cylinder head | | | M97.01 M96.05 |
| 1 | 997 104 903 00 | cylinder head cyl. 1 - 3 | | 1 | M97.01 |
| 1 | 997 104 901 00 | cylinder head cyl. 1 - 3 | 06- | 1 | M97.01 X51 |
| (1) | 996 104 913 00 | cylinder head cyl. 1 - 3 M | >> 695 08696 | 1 | M96.05 |
| (1) | 987 104 913 00 | cylinder head cyl. 1 - 3 M 695 08697 >> | | 1 | M96.05 |
| 1 | 997 104 904 00 | cylinder head cyl. 4 - 6 | | 1 | M97.01 |
| 1 | 997 104 902 00 | cylinder head cyl. 4 - 6 | 06- | 1 | M97.01 X51 |
| (1) | 996 104 914 00 | cylinder head cyl. 4 - 6 M | >> 695 08696 | 1 | M96.05 |
| (1) | 987 104 914 00 | cylinder head cyl. 4 - 6 M 695 08697 >> | | 1 | M96.05 |
| 5 | --- | housing matching with: cylinder head | | 6 | |
| 6 | 996 104 117 50 | dowel sleeve | | 28 | |
| 7 | --- | cover matching with: cylinder head | | 2 | |
| 8 | 996 105 271 00 | intake valve | | 12 | |
| 9 | 996 105 273 03 | exhaust valve | | 12 | |
| 10 | 996 105 115 52 | valve stem seal | | 24 | |
| 11 | 996 105 117 51 | concave washer | | 12 | |
| 12 | 996 105 118 01 | valve spring | | 12 | |
| 13 | 996 105 121 54 | concave washer | | 12 | |
| 14 | 996 105 123 51 | valve collet | | 48 | |
| 15 | 996 105 147 00 | concave washer lower intake | | 12 | |

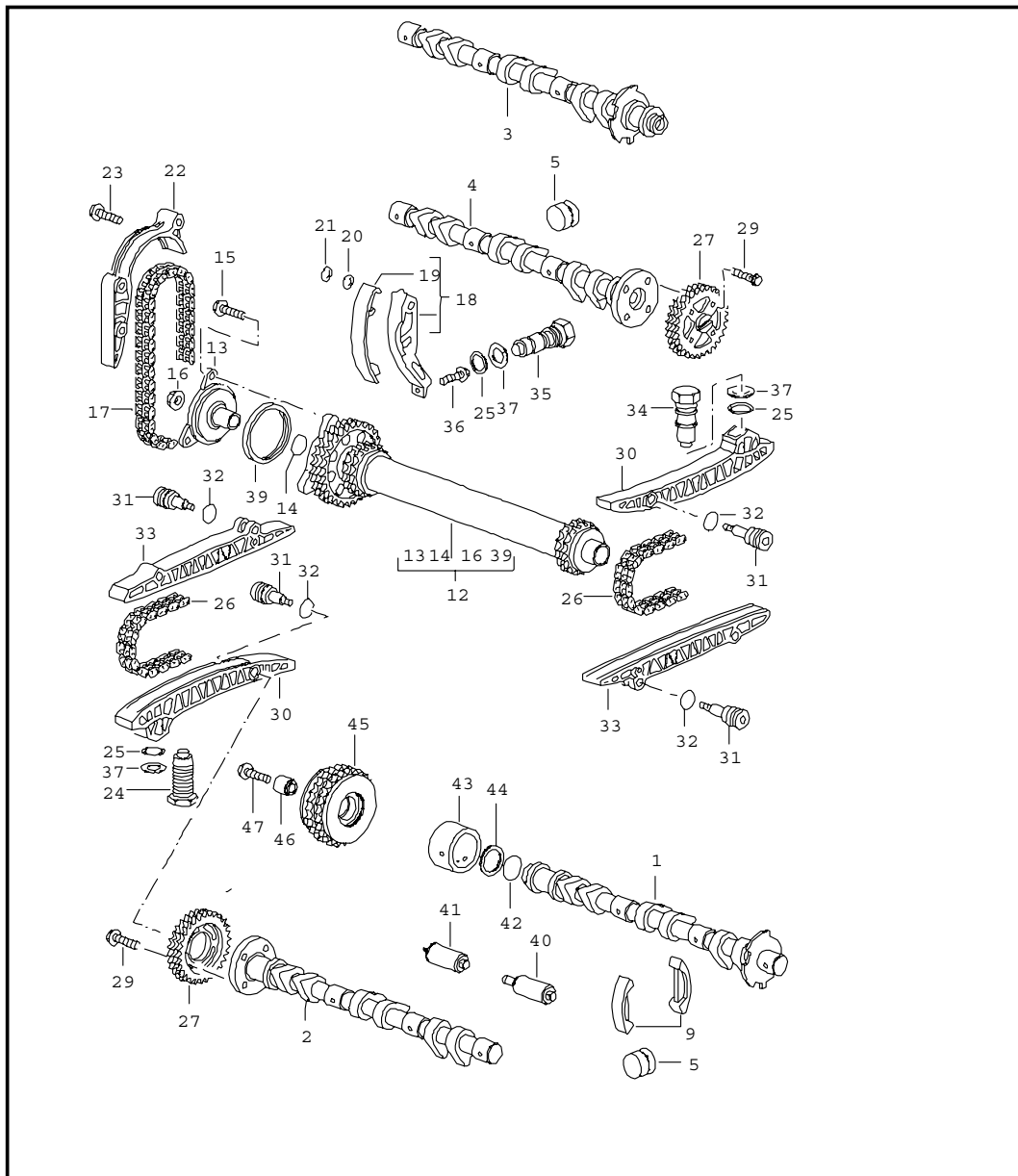
| | | | | | | | | | | | |
|-------|------|----|----|--------------|--------------|--------|------|------------|---------|-----|---------|
| Model | Year | MG | SG | Illustration | Restrictions | Update | 7:14 | 28.08.2006 | PORSCHE | PET | PORSCHE |
| 997 | 07 | 1 | 03 | 103-00 | | 203 | | | | | |

| Pos | Part Number | Name | Remarks | Qty | Model | Pos | Part Number | Name | Remarks | Qty | Model |
|------|----------------|--|---------|-----|--------|-----|----------------|--------------------------------|---------|-----|-------|
| 16 | 996 105 939 00 | set of valve springs set intake | | 12 | | 33 | 999 701 761 40 | o-ring 28 X 2 | | 6 | |
| 17 | 996 105 145 00 | concave washer upper intake | | 12 | | 34 | 999 385 003 09 | torx screw BM 6 X 30 | | 16 | |
| 18 | --- | housing intake matching with: cylinder head | | 2 | | 35 | 900 385 048 04 | torx screw BM 6 X 30 | | 24 | |
| 19 | 900 385 017 09 | torx screw BM 6 X 35 | | 12 | | 36 | 900 219 018 30 | screw plug M 14 X 1,5 | | 1 | |
| 20 | 900 385 025 09 | torx screw BM 6 X 40 | | 4 | | 37 | 900 123 007 30 | sealing ring A 14 X 18 | | 1 | |
| 21 | 000 043 204 46 | sleeve for valve stem seal | | 1 | | 38 | 996 105 703 01 | oil strainer | | 2 | |
| 22 | 997 104 201 02 | cylinder head gasket | | 2 | M97.01 | 39 | 996 105 303 05 | actuator camshaft | | 2 | |
| (22) | 996 104 201 04 | cylinder head gasket | | 2 | M96.05 | -- | 996 105 903 05 | o-ring actuator camshaft | | 2 | |
| 23 | 996 104 180 58 | screw M 10 X 230 | | 24 | | 40 | 996 105 301 03 | actuator valve | | 2 | |
| 24 | 999 507 075 40 | cable holder 3,0 - 12 | | 2 | | 40 | 997 105 301 00 | actuator valve | | 2 | |
| 25 | 999 036 026 02 | cover 10 MM | | 4 | | -- | 996 105 901 03 | o-ring actuator valve | | 2 | |
| 26 | 900 385 048 04 | torx screw BM 6 X 30 mount cylinder head crankcase | | 8 | | 41 | 996 105 244 03 | cover actuator | | 4 | |
| 27 | 900 036 023 02 | cover B 18 | | 4 | | 42 | 996 105 256 01 | support | | 2 | |
| 28 | 996 104 042 05 | housing cam follower hydraulic | | 2 | | 43 | 996 105 310 03 | support | | 2 | |
| 29 | 900 385 017 09 | torx screw BM 6 X35 | | 22 | | -- | 999 651 386 02 | cable clamp 5,5 - 9,0 | | 4 | |
| 30 | 996 104 203 00 | gasket | | 6 | | 44 | 900 387 006 09 | pan-head screw M 6 X 20 | | 8 | |
| 31 | 996 104 215 54 | cover | | 4 | | 45 | 996 606 203 00 | oil pressure switch | | 1 | |
| 32 | 996 104 216 02 | cover | | 2 | | 46 | 997 606 106 01 | hall sender | | 2 | |
| | | | | | | 47 | 999 707 404 40 | o-ring 17,05 X 1,78 | | 2 | |
| | | | | | | 48 | 900 387 264 09 | pan-head screw M 6 X 16 | | 2 | |
| | | | | | | 49 | 996 104 126 01 | bracket | | 2 | |

| | | | | | | | | | | | |
|-------|------|----|----|--------------|--------------|--------|------|------------|---------|-----|---------|
| Model | Year | MG | SG | Illustration | Restrictions | Update | | | | | |
| 997 | 07 | 1 | 03 | 103-00 | | 203 | 7:14 | 28.08.2006 | PORSCHE | PET | PORSCHE |

| Pos | Part Number | Name | Remarks | Qty | Model | Pos | Part Number | Name | Remarks | Qty | Model |
|-----|----------------|--------------------------------|---------|-----|-------|-----|-------------|------|---------|-----|-------|
| 50 | 900 378 055 09 | hexagon-head bolt AM 8 X 40 | | 2 | | | | | | | |
| 51 | 900 378 022 09 | hexagon-head bolt AM 8 X 25 | | 4 | | | | | | | |
| 52 | 996 104 445 02 | cover plate | | 2 | | | | | | | |
| 53 | 900 385 009 09 | torx screw M 6 X 16 | | 4 | | | | | | | |
| 54 | 000 043 204 35 | sealing compound 50 ML | | X | | | | | | | |
| | | - - - E N D - - - | | | | | | | | | |

| | | | | | | | | | | | |
|-------|------|----|----|--------------|--------------|--------|------|------------|---------|-----|---------|
| Model | Year | MG | SG | Illustration | Restrictions | Update | 7:15 | 28.08.2006 | PORSCHE | PET | PORSCHE |
| 997 | 07 | 1 | 03 | 103-10 | | 203 | | | | | |



| Pos | Part Number | Name | Remarks | Qty | Model |
|-----|------------------|----------------------------------|---------|-----|------------------|
| 1 | U 997 105 947 00 | camshaft driving mechanism | | 1 | M97.01 M96.05 |
| 1 | 997 105 947 01 | camshaft intake cyl. 1 - 3 | | 1 | M97.01 |
| (1) | U 996 105 947 03 | camshaft intake cyl. 1 - 3 | | 1 | M96.05 |
| (1) | 996 105 947 04 | camshaft intake cyl. 1 - 3 | | 1 | M96.05 |
| 2 | 996 105 059 01 | camshaft exhaust cyl. 1 - 3 | | 1 | M96.05 |
| 3 | U 997 105 948 00 | camshaft intake cyl. 4 - 6 | | 1 | M97.01 |
| 3 | 997 105 948 01 | camshaft intake cyl. 4 - 6 | | 1 | M97.01 |
| (3) | U 996 105 948 03 | camshaft intake cyl. 4 - 6 | | 1 | M96.05 |
| (3) | 996 105 948 04 | camshaft intake cyl. 4 - 6 | | 1 | M96.05 |
| 4 | 997 105 060 01 | camshaft exhaust cyl. 4 - 6 | | 1 | M97.01 |
| 5 | 996 105 041 72 | hydraulic valve tappet exhaust | | 12 | M96.05 |
| (5) | 996 105 255 22 | hydraulic valve tappet intake | | 12 | M96.05 |
| 7 | 996 105 051 03 | camshaft adjuster cylinder 1 - 3 | | 1 | M96.05 |
| 8 | 900 067 372 09 | screw M 6 X 95 | | 6 | M96.05 |
| 9 | 996 105 253 00 | parts kit guide piece | | 1 | M96.05 |

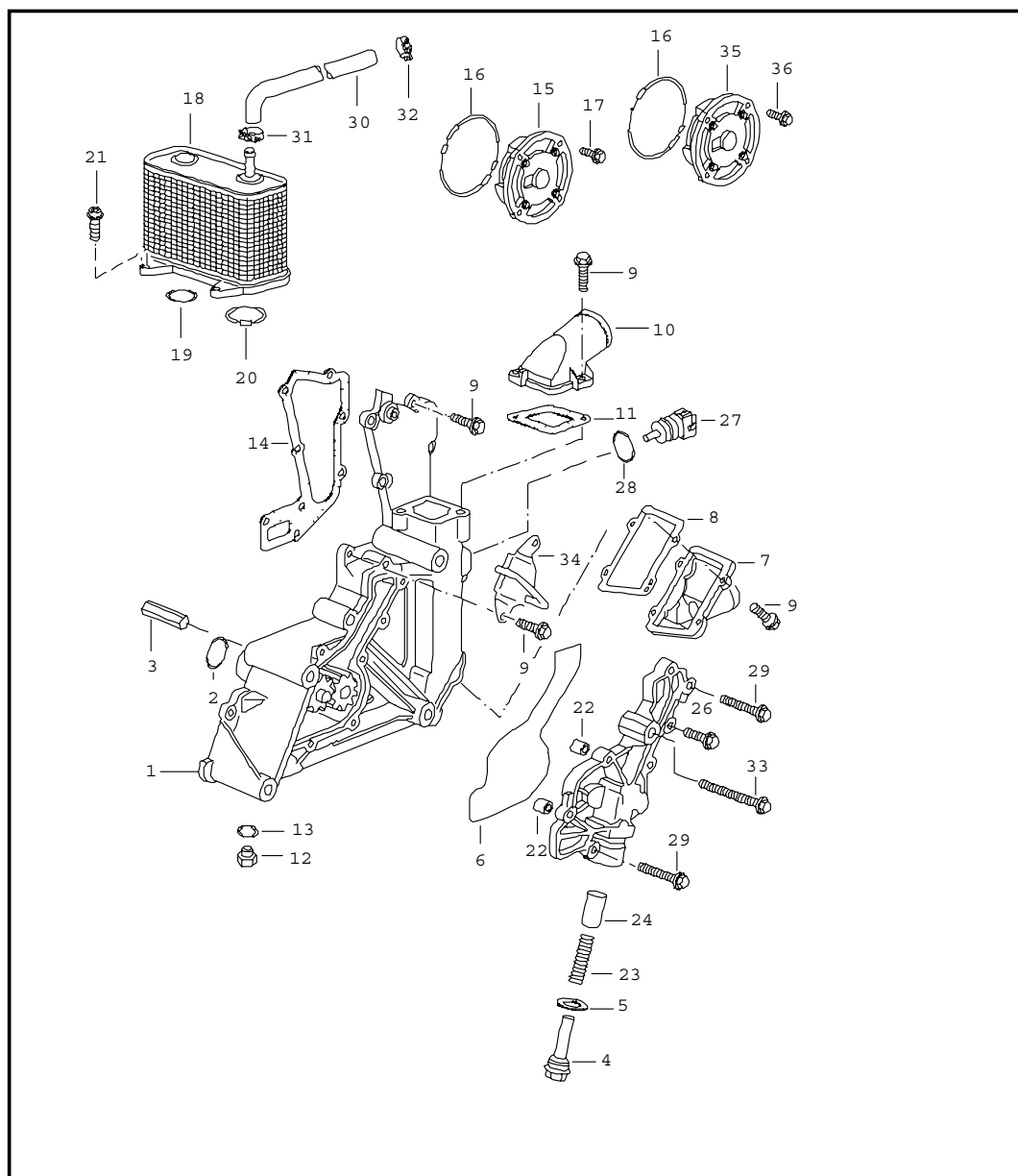
| | | | | | | | | | | | |
|-------|------|----|----|--------------|--------------|--------|------|------------|---------|-----|---------|
| Model | Year | MG | SG | Illustration | Restrictions | Update | 7:15 | 28.08.2006 | PORSCHE | PET | PORSCHE |
| 997 | 07 | 1 | 03 | 103-10 | | 203 | | | | | |

| Pos | Part Number | Name | Remarks | Qty | Model | Pos | Part Number | Name | Remarks | Qty | Model |
|------|------------------|---|---------|---------|-------|------|----------------|--|---------|-----|-------|
| 11 | 999 141 032 07 | screw | | 2 | | 22 | 996 105 166 51 | guide piece | | 1 | |
| 12 | U 996 105 901 02 | intermediate shaft | | 1 | | 23 | 900 075 486 01 | screw M 6 X 40 | | 3 | |
| 12 | 996 105 901 04 | intermediate shaft | | 1 | | 24 | 996 105 186 01 | chain adjuster | | 1 | |
| 13 | 996 105 024 01 | housing for intermediate shaft 996.105.901.02 | | 1 10 | | 25 | 999 707 344 40 | o-ring 18,77 X 1,78 | | 4 | |
| 13 | 996 105 024 06 | housing for intermediate shaft 996.105.901.04 | | 1 | | 26 | 996 105 152 00 | timing chain | | 2 | |
| 14 | 999 707 392 40 | o-ring 7 X 2 for intermediate shaft 996.105.901.02 | | 1 | | 27 | 996 105 178 54 | sprocket with driver | | 2 | |
| (14) | 999 707 571 40 | o-ring 18 x 2 for intermediate shaft 996.105.901.04 | | 1 | | 29 | 900 385 272 09 | hexagon-head bolt M 6 X 12 | | 8 | |
| 15 | 900 385 093 09 | hexagon-head bolt M 6 X 20 | | 3 | | 30 | 996 105 156 00 | tensioner blade cylinder 1 - 3 | | 1 | |
| 16 | 900 380 019 02 | hexagon nut M 8 X 1 for housing 996.105.024.01 | | 1 | | (30) | 996 105 158 00 | tensioner blade cylinder 4 - 6 | | 1 | |
| (16) | U 999 084 434 01 | hexagon nut M 12 x 1,25 | | 1 | | 31 | 996 105 062 01 | screw M 6 | | 6 | |
| (16) | 999 076 084 01 | hexagon nut m 12 x 1,25 for housing 996.105.024.06 | | 1 | | 32 | 999 707 346 40 | o-ring 15 X 3 | | 6 | |
| 17 | 996 105 171 56 | timing chain | | 1 | | 33 | 996 105 054 01 | guide piece cylinder 1 until cyl. 3 | | 1 | |
| 18 | 996 105 165 55 | tensioner blade | | 1 | | (33) | 996 105 164 00 | guide piece cyl. 4 until cyl. 6 | | 1 | |
| 19 | 996 105 195 00 | pad | | 1 | | 34 | 996 105 188 01 | chain adjuster | | 1 | |
| 20 | 900 234 040 01 | shim 10 X 16 X 1,2 | | 1 | | 35 | 996 105 180 56 | chain adjuster | | 1 | |
| 21 | 900 041 004 01 | circlip 10 X 1 | | 1 | | 36 | 996 105 197 00 | pressure pin | | 1 | |
| | | | | | | 37 | 900 123 147 30 | sealing ring A 27 X 32 | | 3 | |
| | | | | | | 39 | 996 105 112 01 | gasket | | 1 | |
| | | | | | | 40 | | see illustrations 1/03/00 | | 2 | |

| | | | | | | | | | | | |
|-------|------|----|----|--------------|--------------|--------|------|------------|---------|-----|---------|
| Model | Year | MG | SG | Illustration | Restrictions | Update | 7:15 | 28.08.2006 | PORSCHE | PET | PORSCHE |
| 997 | 07 | 1 | 03 | 103-10 | | 203 | | | | | |

| Pos | Part Number | Name | Remarks | Qty | Model | Pos | Part Number | Name | Remarks | Qty | Model |
|------|------------------|--|---------|-----|-------|-----|-------------|------|---------|-----|-------|
| 41 | | see illustrations 1/03/00 | | 2 | | | | | | | |
| 42 | 996 105 280 50 | ring | | 4 | | | | | | | |
| 43 | 996 104 205 06 | bearing sleeve | | 2 | | | | | | | |
| 44 | 996 105 203 00 | washer | | 2 | | | | | | | |
| 45 | 996 105 051 03 | camshaft adjuster camshaft intake cylinder 1 - 3 | | 1 | | | | | | | |
| (45) | 996 105 052 01 | camshaft adjuster camshaft intake cylinder 4 - 6 | | 1 | | | | | | | |
| 46 | 987 105 260 01 | intermediate piece | | 2 | | | | | | | |
| 47 | U 996 105 254 00 | hexagon-head bolt | | 2 | | | | | | | |
| 47 | 987 105 254 00 | hexagon-head bolt | | 2 | | | | | | | |
| | | - - - E N D - - - | | | | | | | | | |

| | | | | | | | | | | | |
|-------|------|----|----|--------------|--------------|--------|------|------------|---------|-----|---------|
| Model | Year | MG | SG | Illustration | Restrictions | Update | 7:15 | 28.08.2006 | PORSCHE | PET | PORSCHE |
| 997 | 07 | 1 | 04 | 104-00 | | 203 | | | | | |

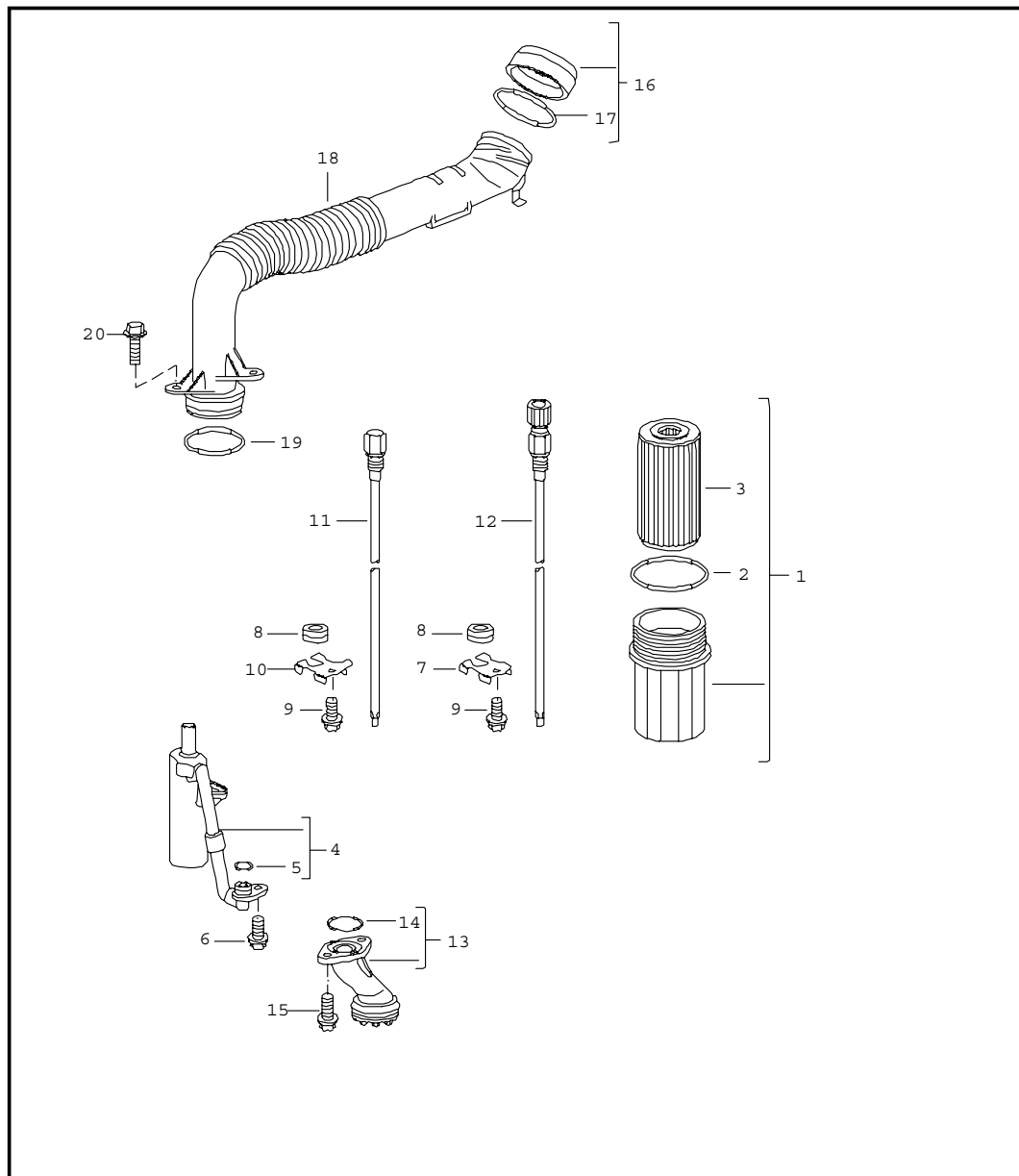


| Pos | Part Number | Name | Remarks | Qty | Model |
|-----|----------------|--|---------|-----|--------|
| | | oil pump tandem pump | | | M97.01 |
| 1 | 996 107 012 58 | oil pump | | 1 | |
| 2 | 996 107 103 51 | o-ring 29,1 X 2,55 use also: grease 000 043 300 13 | | 2 | |
| 3 | 996 107 121 50 | driver | | 1 | |
| 4 | 996 107 105 51 | screw plug | | 1 | |
| 5 | 996 107 123 50 | gasket | | 1 | |
| 6 | 996 107 261 50 | sealing ring | | 1 | |
| 7 | 996 106 220 51 | connection piece supply | | 1 | |
| 8 | 996 106 316 51 | gasket | | 1 | |
| 9 | 900 378 030 09 | hexagon-head bolt M 6 X 20 | | 14 | |
| 10 | 997 106 216 00 | connection piece | | 1 | |
| 11 | 996 106 321 50 | gasket | | 1 | |
| 12 | 900 219 007 02 | screw plug M 10 X 1 | | 1 | |
| 13 | 900 123 144 30 | sealing ring A 10 X 13,5 | | 1 | |
| 14 | 996 107 337 50 | gasket | | 1 | |
| 15 | 997 107 021 03 | oil pump | | 1 | |
| 16 | 999 707 554 40 | o-ring 95 X 2,5 use also: grease 000 043 300 13 | | 2 | |
| 17 | 999 073 316 09 | hexagon-head bolt M 6 X 20 | | 4 | |
| 18 | 997 107 025 00 | heat exchanger | | 1 | |
| 19 | 999 707 547 40 | o-ring 28 X 3 | | 2 | |
| 20 | 999 707 389 40 | o-ring 35 X 4 | | 2 | |

| | | | | | | | | | | | |
|-------|------|----|----|--------------|--------------|--------|------|------------|---------|-----|---------|
| Model | Year | MG | SG | Illustration | Restrictions | Update | 7:15 | 28.08.2006 | PORSCHE | PET | PORSCHE |
| 997 | 07 | 1 | 04 | 104-00 | | 203 | | | | | |

| Pos | Part Number | Name | Remarks | Qty | Model | Pos | Part Number | Name | Remarks | Qty | Model |
|-----|----------------|-----------------------------------|---------|-----|-----------|-----|-------------|------|---------|-----|-------|
| 21 | 900 387 264 09 | pan-head screw M 6 X 16 | | 4 | | | | | | | |
| 22 | 996 106 103 50 | dowel sleeve 8,2 X 7 | | 2 | | | | | | | |
| 23 | 996 107 127 53 | spring | | 1 | | | | | | | |
| 24 | 997 107 125 01 | piston | | 1 | | | | | | | |
| 25 | 996 107 212 53 | cover for 996 107 012 56 | | 1 | | | | | | | |
| 25 | 996 107 212 54 | cover for 996 107 012 58 | | 1 | | | | | | | |
| 26 | 900 385 019 09 | torx screw BM 6 x 20 | | 7 | | | | | | | |
| 27 | 996 606 410 00 | temperature sensor | | 1 | | | | | | | |
| 28 | --- | sealing ring | | 1 | | | | | | | |
| 29 | 900 385 066 09 | hexagon-head bolt M 6 X 80 | | 2 | | | | | | | |
| 30 | 996 106 230 53 | breather hose | | 1 | | | | | | | |
| 31 | 999 512 554 00 | hose clamp 12 - 22 MM | | 1 | | | | | | | |
| 32 | 999 512 652 09 | hose clamp 19 X 12 | | 1 | | | | | | | |
| 33 | 900 385 004 09 | hexagon-head bolt M 10 X 60 | | 1 | | | | | | | |
| 34 | 996 102 235 01 | clip | | 1 | I249/I573 | | | | | | |
| 35 | 997 107 022 01 | tandem pump | | 1 | | | | | | | |
| 36 | 999 073 317 09 | round head screw M 6 X 30 | | 4 | | | | | | | |
| -- | 997 107 055 05 | vacuum line for tandem pump | | 1 | | | | | | | |
| -- | 997 110 055 03 | vacuum line pump brake | | 1 | | | | | | | |
| | | - - - E N D - - - | | | | | | | | | |

| | | | | | | | | | | | |
|-------|------|----|----|--------------|--------------|--------|------|------------|---------|-----|---------|
| Model | Year | MG | SG | Illustration | Restrictions | Update | 7:15 | 28.08.2006 | PORSCHE | PET | PORSCHE |
| 997 | 07 | 1 | 04 | 104-05 | | 203 | | | | | |

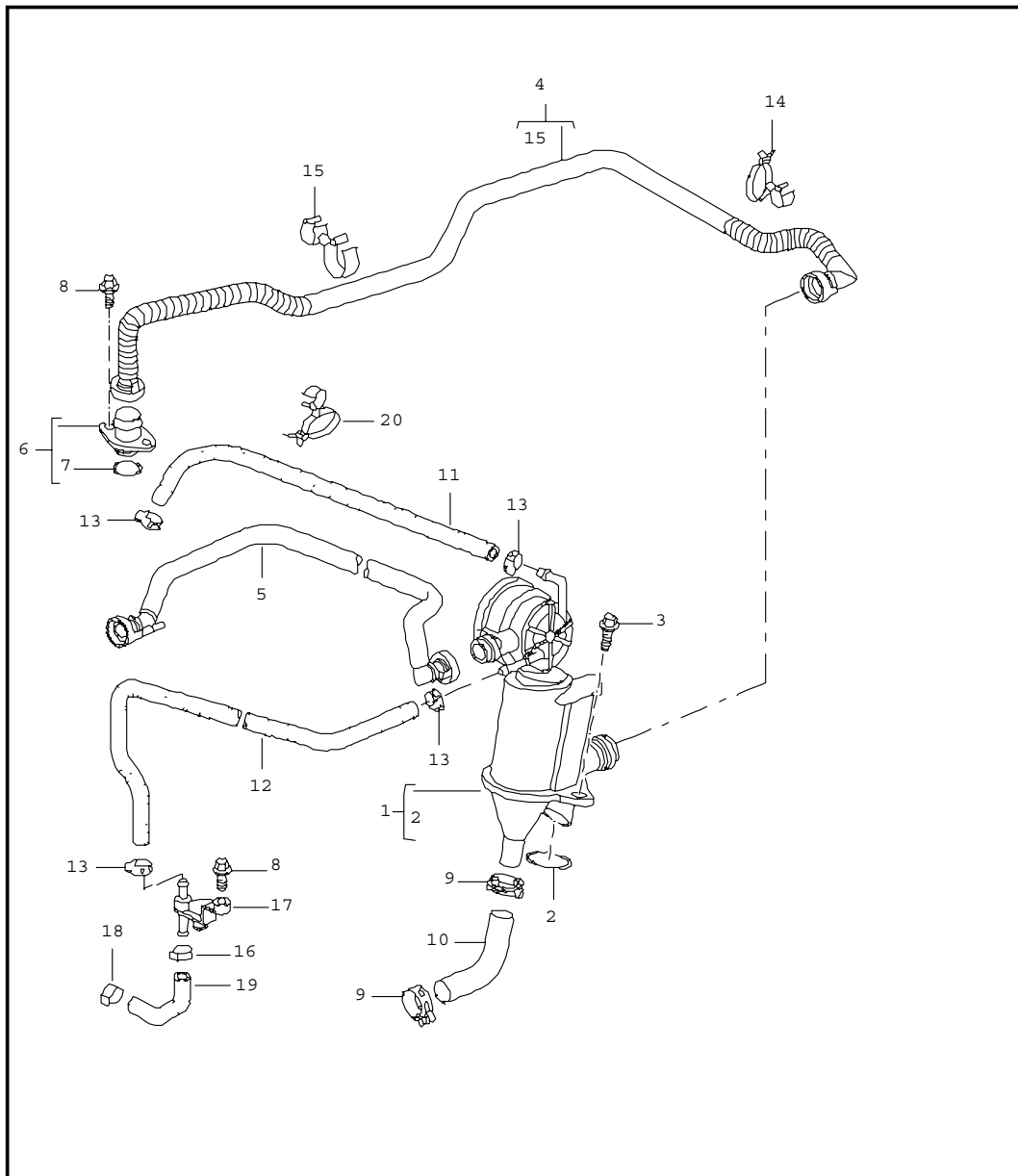


| Pos | Part Number | Name | Remarks | Qty | Model |
|------|----------------|---|---------|-----|------------------|
| | | engine lubrication | | | M97.01 M96.05 |
| 1 | 996 107 020 55 | oil filter | | 1 | |
| 2 | 996 107 313 51 | sealing ring use also: grease 000.043.205.10 | | 1 | |
| 3 | 996 107 225 53 | filter element | | 1 | |
| 4 | 996 107 080 54 | oil separator | | 2 | |
| 5 | 999 701 789 40 | o-ring 12 X 2 | | 2 | |
| 6 | 900 385 019 04 | torx screw BM 6 X 20 | | 4 | |
| 7 | 996 107 333 50 | support oil-level sender | | 1 | |
| 8 | 999 702 206 50 | grommet 9,5 X 18,0 X 1,2 | | 2 | |
| 9 | 900 385 041 09 | torx screw BM 6 X 12 | | 2 | |
| 10 | 997 107 333 50 | support return pipe | | 1 | M97.01 |
| 11 | 997 107 638 02 | return pipe engine oil | | 1 | M97.01 |
| 12 | 996 606 150 00 | oil-level sender | | 1 | |
| 13 | 996 107 075 57 | suction tube | | 1 | |
| 14 | 999 707 375 40 | o-ring 30 X 3 | | 1 | |
| 15 | 900 385 275 09 | torx screw BM 6 X 20 | | 2 | |
| 16 | 996 107 035 52 | cover | | 1 | |
| 17 | 996 107 336 00 | gasket | | 1 | |
| 18 | 996 107 150 60 | filler tube | | 1 | |
| (18) | 997 107 915 00 | filler tube | 06- | 1 | M97.01 X51 |
| 19 | 999 707 348 40 | o-ring 42 X 4 use also: grease 000.043.300.13 | | 1 | |

| | | | | | | | | | | | | |
|-------|------|----|----|--------------|--------------|--------|------|------------|---------|-----|---------|--|
| Model | Year | MG | SG | Illustration | Restrictions | Update | | | | | | |
| 997 | 07 | 1 | 04 | 104-05 | | 203 | 7:15 | 28.08.2006 | PORSCHE | PET | PORSCHE | |

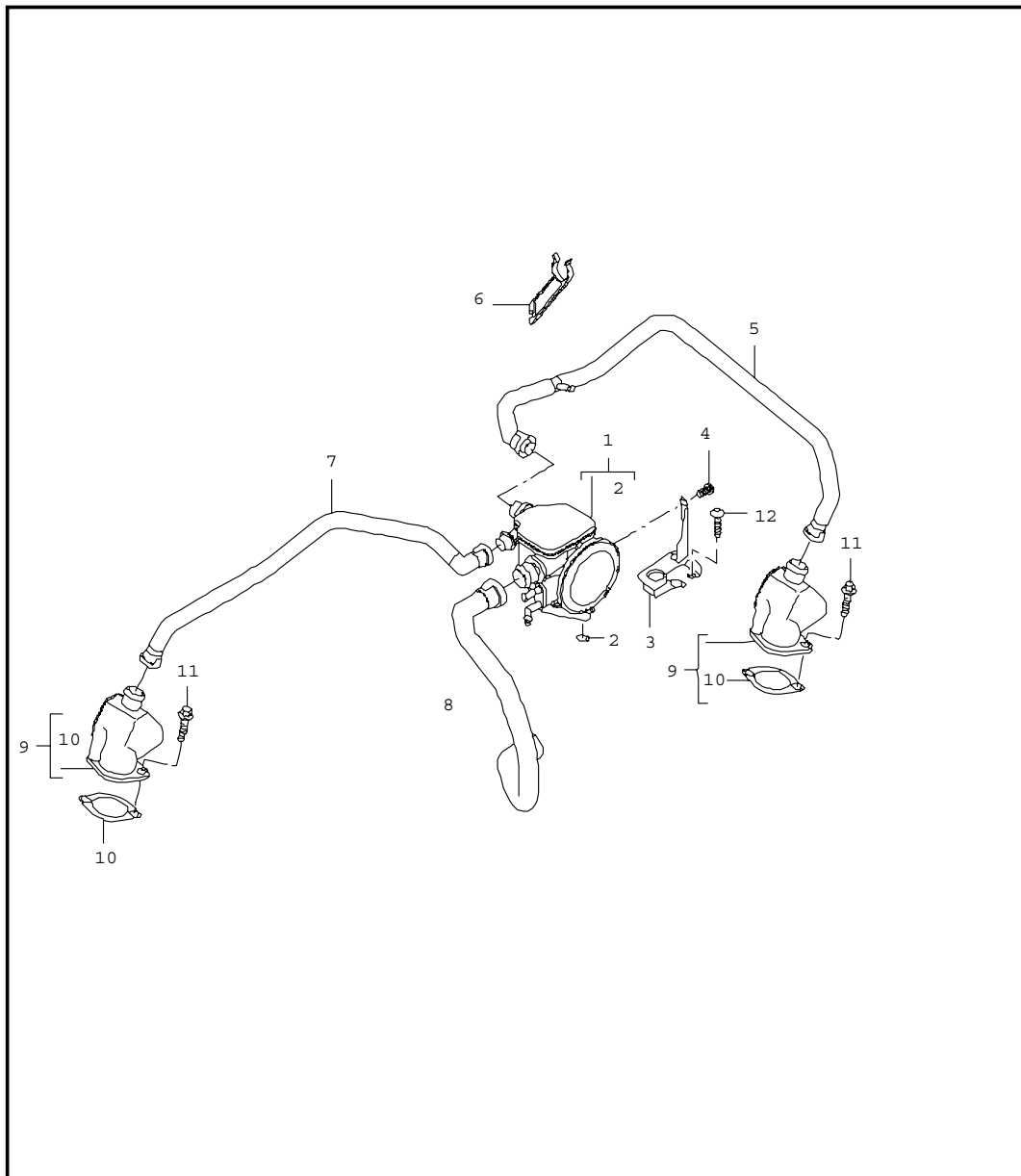
| Pos | Part Number | Name | Remarks | Qty | Model | Pos | Part Number | Name | Remarks | Qty | Model |
|-----|----------------|------------------------|---------|-----|-------|-----|-------------|------|---------|-----|-------|
| 20 | 900 385 050 09 | torx screw M 6 X 16 | | 2 | | | | | | | |
| | | - - - E N D - - - | | | | | | | | | |

| | | | | | | | | | | | |
|-------|------|----|----|--------------|--------------|--------|------|------------|---------|-----|---------|
| Model | Year | MG | SG | Illustration | Restrictions | Update | 7:15 | 28.08.2006 | PORSCHE | PET | PORSCHE |
| 997 | 07 | 1 | 04 | 104-10 | | 203 | | | | | |



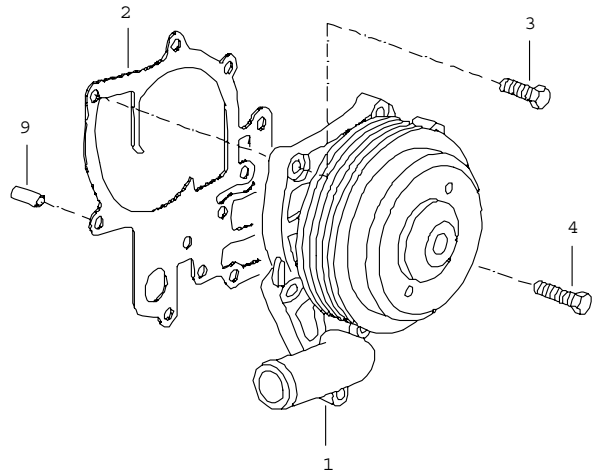
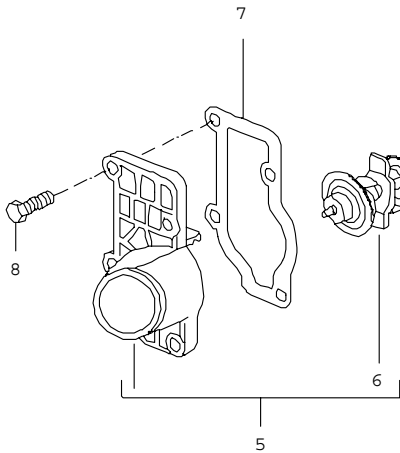
| Pos | Part Number | Name | Remarks | Qty | Model |
|-------------------|----------------|--------------------------|---------|-----|--------|
| | | crankcase bleeding | | | M96.05 |
| 1 | 996 107 026 50 | oil separator | | 1 | |
| 2 | 999 707 507 40 | o-ring 29,74 X 2,95 | | 1 | |
| 3 | 900 385 275 09 | torx screw BM 6 X 20 | | 2 | |
| 4 | 997 107 147 02 | vent line | | 1 | |
| 5 | 996 107 145 30 | vent line | | 1 | |
| 6 | 996 107 047 01 | connection piece | | 1 | |
| 7 | 999 707 364 40 | sealing ring 30 X 2,5 | | 1 | |
| 8 | 900 385 050 09 | torx screw BM 6 X 16 | | 3 | |
| 9 | 999 512 683 09 | clip 23 X 12 | | 2 | |
| 10 | 996 107 175 50 | oil hose | | 1 | |
| 11 | 996 106 208 50 | hose | | 1 | |
| 12 | 997 106 223 00 | hose | | 1 | |
| 13 | 999 512 650 09 | hose clamp B 14 X 12 | | 4 | |
| 14 | 999 507 097 40 | hose holder 25 / 20 | | 1 | |
| 15 | 999 507 816 40 | hose holder 25 / 16 | | 1 | |
| 16 | 999 512 568 02 | clamp 13,9 - 16,1 | | 1 | |
| 17 | 996 106 226 52 | socket | | 1 | |
| 18 | 999 512 633 00 | clamp 15,6 - 17,8 | | 1 | |
| 19 | 996 106 223 52 | hose | | 1 | |
| 20 | 999 507 644 40 | hose holder 26 / 13 | | 1 | |
| - - - E N D - - - | | | | | |

| | | | | | | | | | | | |
|-------|------|----|----|--------------|--------------|--------|------|------------|---------|-----|---------|
| Model | Year | MG | SG | Illustration | Restrictions | Update | 7:16 | 28.08.2006 | PORSCHE | PET | PORSCHE |
| 997 | 07 | 1 | 04 | 104-11 | | 203 | | | | | |



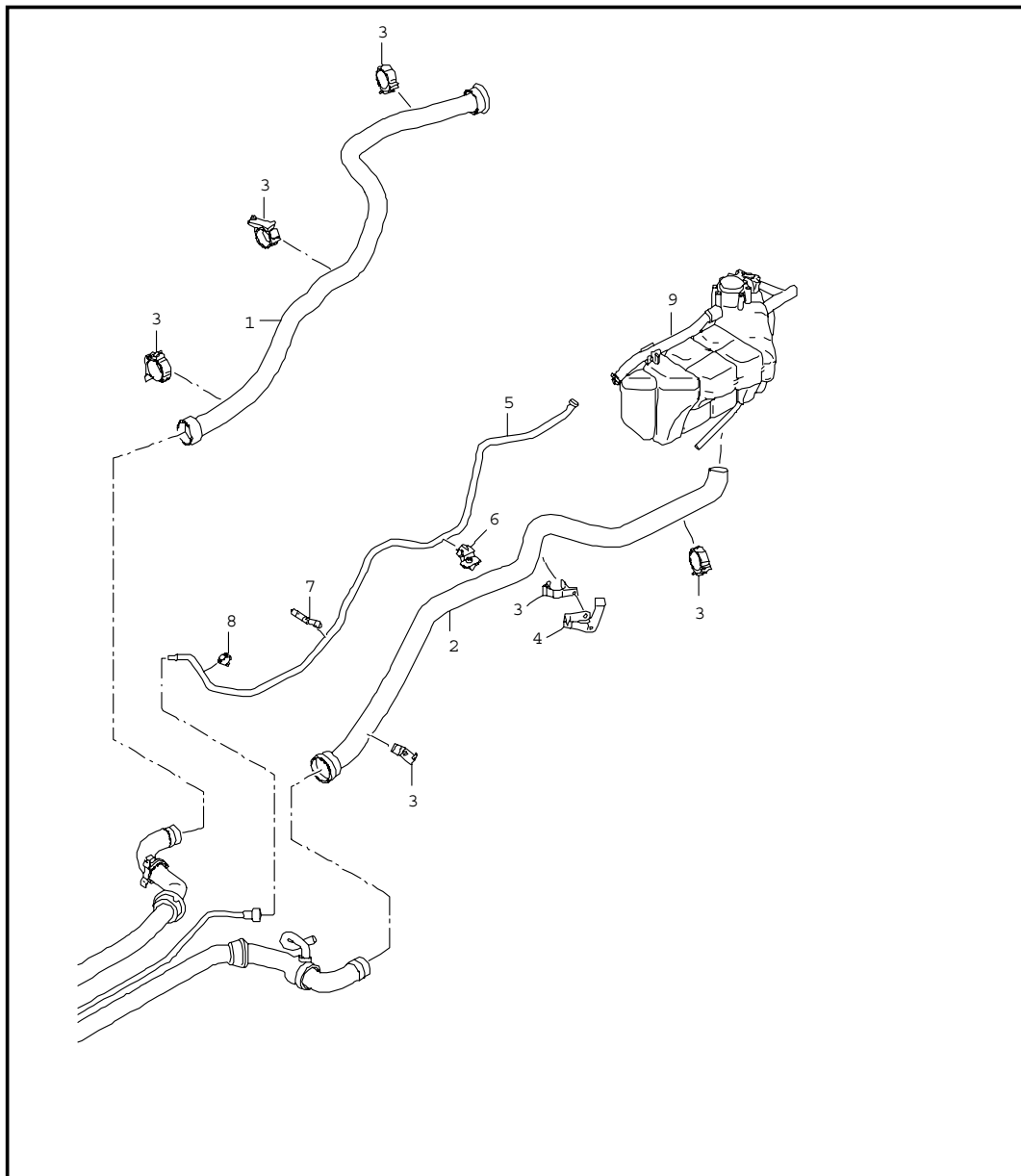
| Pos | Part Number | Name | Remarks | Qty | Model |
|-----|----------------|------------------------------|---------|-----|--------|
| | | crankcase bleeding | | | M97.01 |
| 1 | 997 107 038 00 | oil separator | | 1 | |
| 2 | 900 331 053 40 | o-ring 12,37 X 2,62 | | 2 | |
| 3 | 997 107 338 01 | support oil separator | | 1 | |
| 4 | 999 919 121 09 | oval-head screw 5 X 16 | | 2 | |
| 5 | 997 107 146 03 | vent line cyl. 4 - 6 | | 1 | |
| 6 | 997 107 547 00 | support | | 1 | |
| 7 | 997 107 143 01 | vent line cyl. 1 - 3 | | 1 | |
| 8 | 997 107 145 02 | line distributor tube | | 1 | |
| 9 | 997 107 138 00 | oil separator | | 2 | |
| 10 | 997 107 538 00 | gasket | | 2 | |
| 11 | 900 385 023 04 | torx screw BM 6 X 25 | | 4 | |
| 12 | | see illustrations 1/08/05 | | 2 | |
| | | - - - E N D - - - | | | |

| | | | | | | | | | | | |
|-------|------|----|----|--------------|--------------|--------|------|------------|---------|-----|---------|
| Model | Year | MG | SG | Illustration | Restrictions | Update | 7:16 | 28.08.2006 | PORSCHE | PET | PORSCHE |
| 997 | 07 | 1 | 05 | 105-00 | | 203 | | | | | |



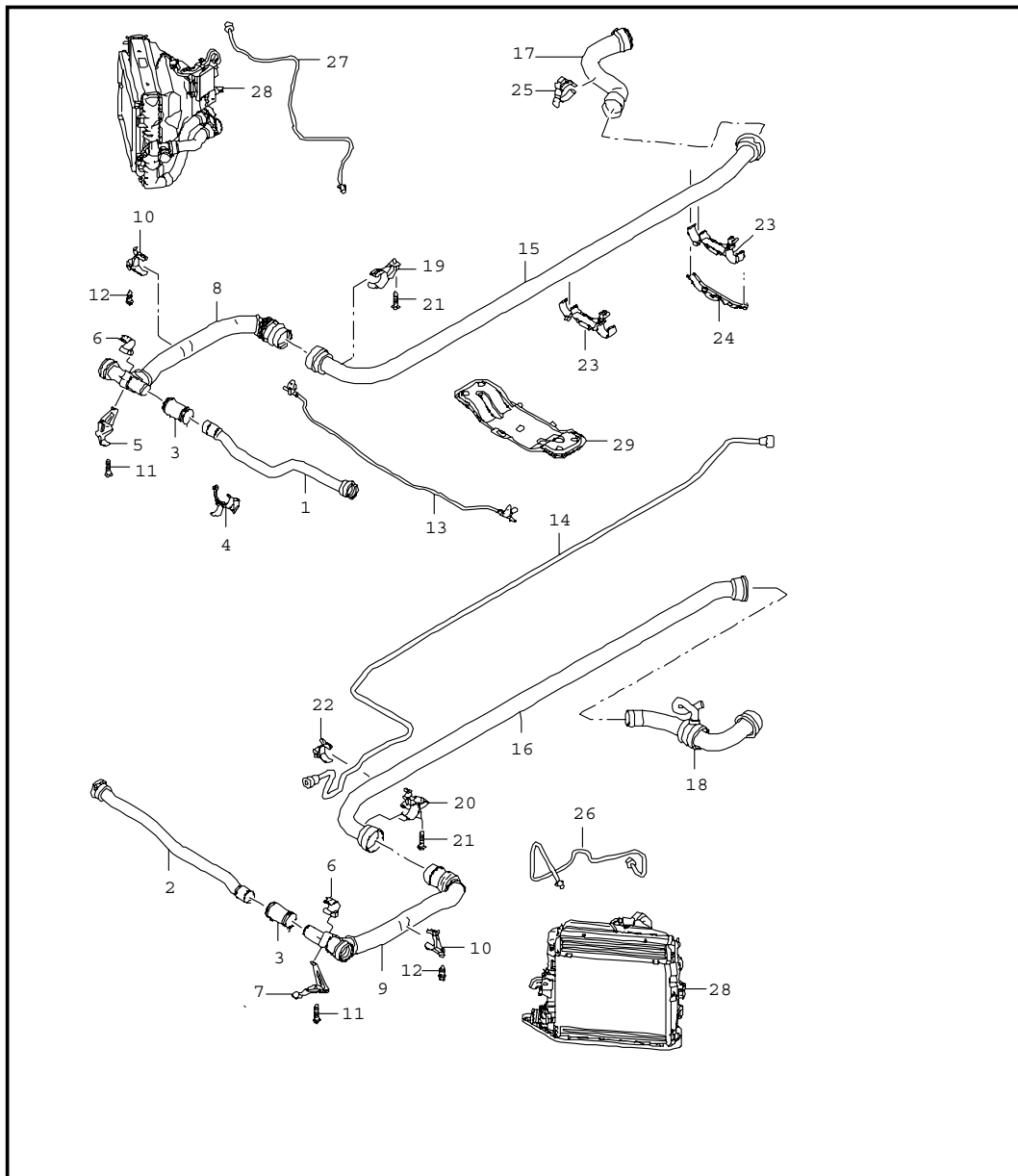
| Pos | Part Number | Name | Remarks | Qty | Model |
|-------------------|----------------|---|---------|-----|------------------|
| | | water pump thermostat housing | | | M97.01 M96.05 |
| 1 | 997 106 011 02 | water pump | | 1 | |
| 2 | 996 106 340 54 | gasket | | 1 | |
| 3 | 900 385 023 04 | torx screw M 6 X 25 | | 5 | |
| 4 | 900 385 048 04 | torx screw M 6 X 30 | | 2 | |
| 5 | 996 106 013 57 | thermostat with thermostat insert | | 1 | |
| 6 | 996 106 125 52 | thermostat insert | | 1 | |
| 7 | 996 106 326 50 | gasket | | 1 | |
| 8 | 900 385 019 09 | torx screw M 6 X 20 | | 4 | |
| 9 | 996 106 103 50 | dowel sleeve 8,2 X 7 | | 2 | |
| - - - E N D - - - | | | | | |

| | | | | | | | | | | | |
|-------|------|----|----|--------------|--------------|--------|------|------------|---------|-----|---------|
| Model | Year | MG | SG | Illustration | Restrictions | Update | 7:16 | 28.08.2006 | PORSCHE | PET | PORSCHE |
| 997 | 07 | 1 | 05 | 105-05 | | 203 | | | | | |



| Pos | Part Number | Name | Remarks | Qty | Model |
|-------------------|----------------|---------------------------------------|---------|-----|------------------|
| | | water cooling 1 | | | M97.01 M96.05 |
| 1 | 997 106 610 00 | cooling water tube supply right | | 1 | |
| 2 | 997 106 809 00 | cooling water tube return left | | 1 | |
| 3 | 996 106 417 73 | support cooling water tube | | 6 | |
| 4 | 997 106 609 00 | support | | 1 | |
| 5 | 997 106 681 03 | vent line | | 1 | |
| 6 | 997 106 581 01 | support vent line | | 1 | |
| 7 | 999 507 961 41 | cable holder vent line | | 1 | |
| 8 | 999 507 743 40 | cable holder vent line | | 1 | |
| 9 | | see illustrations 1/05/20 | | X | |
| - - - E N D - - - | | | | | |

| | | | | | | | | | | | |
|-------|------|----|----|--------------|--------------|--------|------|------------|---------|-----|---------|
| Model | Year | MG | SG | Illustration | Restrictions | Update | 7:16 | 28.08.2006 | PORSCHE | PET | PORSCHE |
| 997 | 07 | 1 | 05 | 105-10 | | 203 | | | | | |

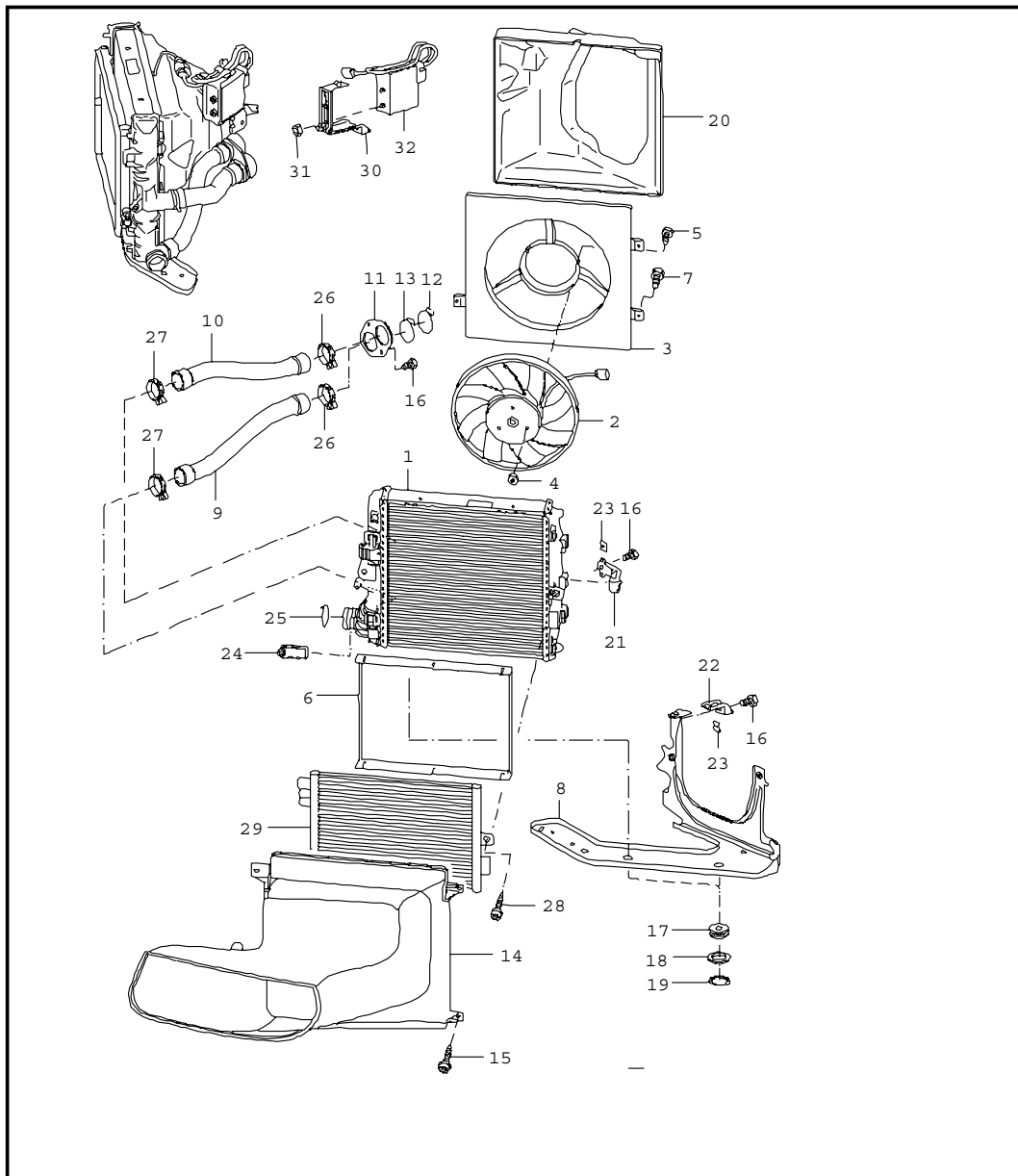


| Pos | Part Number | Name | Remarks | Qty | Model |
|------|----------------|---|---------|-----|------------------|
| | | water cooling 2 | | | M97.01 M96.05 |
| 1 | 997 106 711 01 | water tube cross tube supply | | 1 | |
| 2 | 997 106 720 01 | water tube cross tube return | | 1 | |
| 3 | 997 106 723 04 | water hose | | 2 | |
| 4 | 997 106 525 01 | support water tube cross tube centre | | 1 | |
| 5 | 997 106 574 02 | support distributor tube right | | 1 | |
| 6 | 997 106 526 01 | support cross tube upper | | 2 | |
| 7 | 997 106 573 02 | support distributor tube left | | 1 | |
| 8 | 997 106 751 03 | distributor tube supply | | 1 | |
| 9 | 997 106 752 03 | distributor tube return | | 1 | |
| 10 | 997 106 413 01 | support distributor tube | | 2 | |
| (10) | 997 106 413 01 | support distributor tube | /R | 1 | I601 |
| (10) | 997 106 414 00 | support distributor tube | /L | 1 | I601 |
| 11 | 900 378 013 09 | hexagon-head bolt M6 X 25 | | 2 | |
| 12 | 900 378 036 09 | hexagon-head bolt M6 X 12 | | 2 | |
| 13 | 997 106 767 02 | vent line transverse | | 1 | |
| 14 | 997 106 227 02 | vent line tunnel | | 1 | |

| | | | | | | | | | | | | |
|-------|------|----|----|--------------|--------------|--------|------|------------|--|---------|-----|---------|
| Model | Year | MG | SG | Illustration | Restrictions | Update | | | | PORSCHE | PET | PORSCHE |
| 997 | 07 | 1 | 05 | 105-10 | | 203 | 7:16 | 28.08.2006 | | | | |

| Pos | Part Number | Name | Remarks | Qty | Model | Pos | Part Number | Name | Remarks | Qty | Model |
|------|----------------|--------------------------------|---------|-----|-------|-----|-------------|------|---------|-----|-------|
| 15 | 997 106 651 02 | water tube supply tunnel | | 1 | | | | | | | |
| 16 | 997 106 652 02 | return pipe tunnel | | 1 | | | | | | | |
| 17 | 997 106 740 04 | water hose supply | | 1 | I480 | | | | | | |
| 17 | 997 106 740 05 | water hose supply | | 1 | I249 | | | | | | |
| 18 | 997 106 741 04 | water hose return | | 1 | I480 | | | | | | |
| (18) | 997 106 742 03 | water hose return | | 1 | I249 | | | | | | |
| 19 | 997 106 520 02 | support bulkhead right | | 1 | | | | | | | |
| 20 | 997 106 521 01 | support bulkhead left | | 1 | | | | | | | |
| 21 | 900 378 035 09 | hexagon-head bolt M6 X 16 | | 2 | | | | | | | |
| 22 | 997 106 512 03 | connection piece vent line | | 1 | | | | | | | |
| 23 | 997 106 540 02 | support tunnel | | 2 | | | | | | | |
| 24 | 997 106 515 02 | bridge tunnel | | 1 | | | | | | | |
| 25 | 997 106 427 00 | support heel plate | | 1 | | | | | | | |
| 26 | 997 106 765 02 | line | /L | 1 | | | | | | | |
| 27 | 997 106 766 02 | line | /R | 1 | | | | | | | |
| 28 | | see illustrations 1/05/15 | | X | | | | | | | |
| 29 | | see illustrations 8/01/70 | | X | | | | | | | |
| | | - - - E N D - - - | | | | | | | | | |

| | | | | | | | | | | | |
|-------|------|----|----|--------------|--------------|--------|------|------------|---------|-----|---------|
| Model | Year | MG | SG | Illustration | Restrictions | Update | 7:17 | 28.08.2006 | PORSCHE | PET | PORSCHE |
| 997 | 07 | 1 | 05 | 105-15 | | 203 | | | | | |

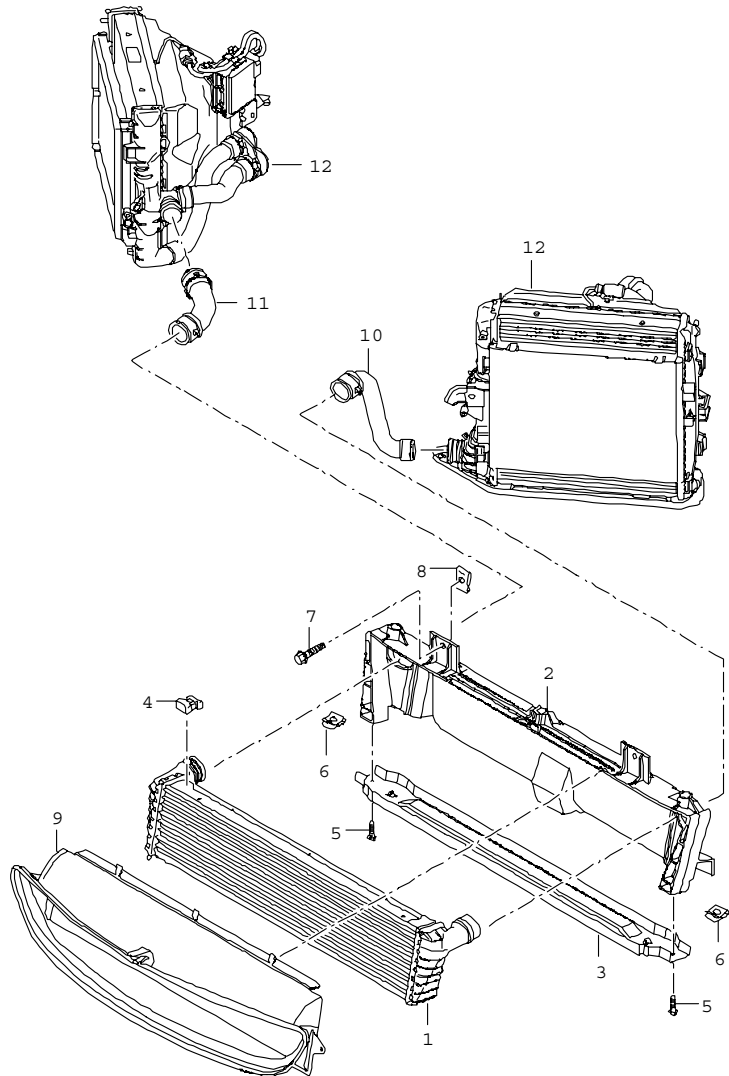


| Pos | Part Number | Name | Remarks | Qty | Model |
|------|----------------|---|---------|-----|------------------|
| | | water cooling 3 | | | M97.01 M96.05 |
| 1 | 997 106 131 02 | radiator | /L | 1 | |
| (1) | 997 106 132 02 | radiator | /R | 1 | |
| 2 | 997 624 135 02 | fan | /L | 2 | |
| (2) | 997 624 136 02 | fan | /R | 2 | |
| 3 | 997 624 131 02 | air box | /L | 2 | |
| (3) | 997 624 132 02 | air box | /R | 2 | |
| 4 | 900 377 001 02 | hexagon nut M 6 | | 6 | |
| 5 | 900 146 116 09 | screw M 5 X 16 | | 6 | |
| 6 | 997 573 711 00 | sealing frame | | 1 | |
| 7 | 999 919 125 09 | hexagon-head bolt plastic material M 6 x 16 | | 6 | |
| 8 | 997 106 155 01 | bracket | /L | 1 | |
| (8) | 997 106 156 01 | bracket | /R | 1 | |
| 9 | 997 106 621 03 | water hose supply | /L | 1 | |
| (9) | 997 106 622 03 | water hose supply | /R | 1 | |
| 10 | 997 106 625 03 | water hose return | /L | 1 | |
| 10 | 997 106 626 03 | water hose return | /R | 1 | |
| 11 | 997 106 255 02 | connecting piece | | 2 | |
| 12 | 997 106 802 01 | spring SCB 33 | | 1 | |
| 13 | 997 106 802 02 | spring SCB 36 | | 1 | |
| 14 | 997 575 321 00 | air duct | /L | 1 | |
| (14) | 997 575 322 00 | air duct | /R | 1 | |
| 15 | 999 919 134 09 | oval-head screw M 6 X 16 | | 6 | |

| | | | | | | | | | | | | |
|-------|------|----|----|--------------|--------------|--------|------|------------|--|---------|-----|---------|
| Model | Year | MG | SG | Illustration | Restrictions | Update | | | | PORSCHE | PET | PORSCHE |
| 997 | 07 | 1 | 05 | 105-15 | | 203 | 7:17 | 28.08.2006 | | | | |

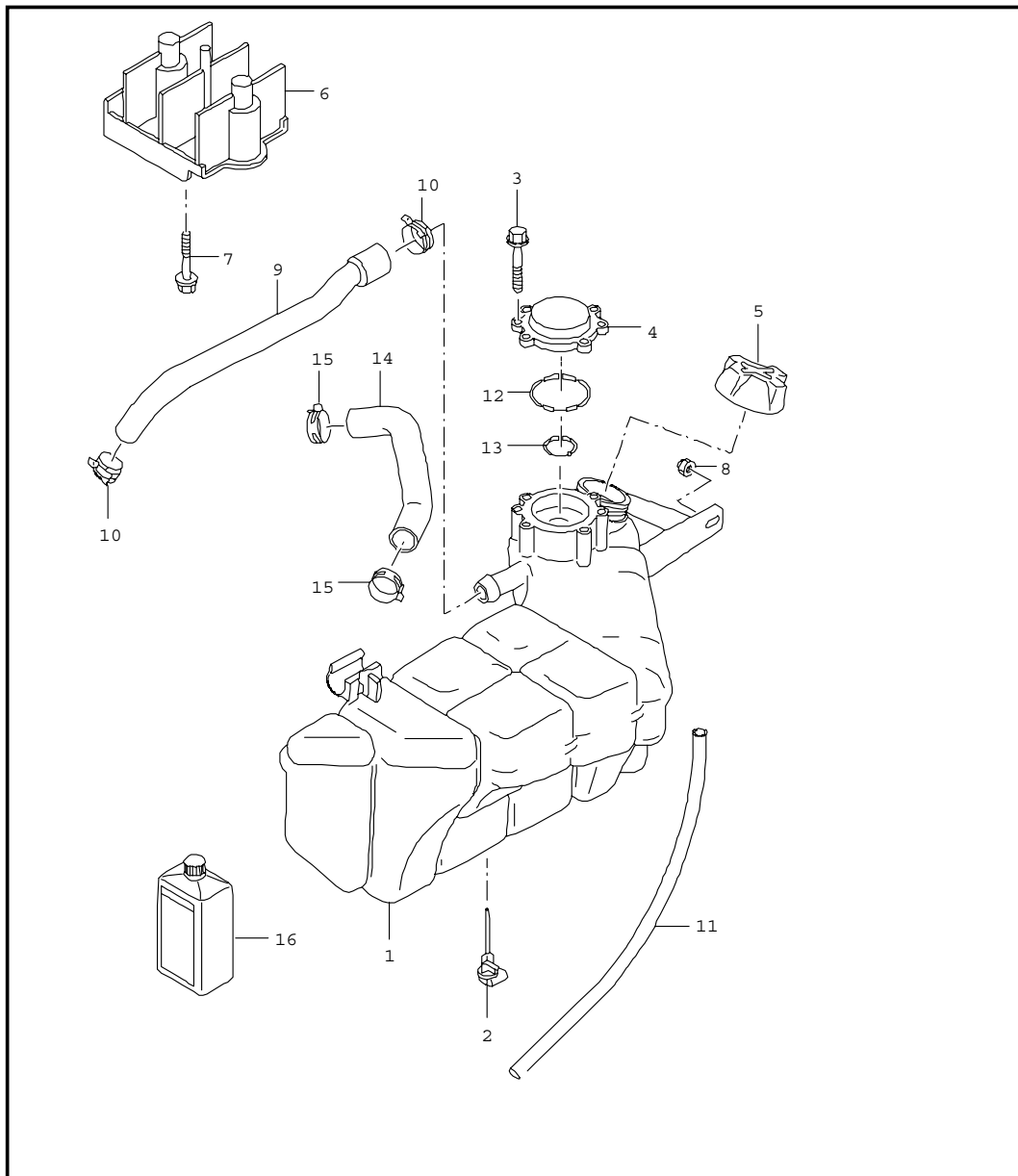
| Pos | Part Number | Name | Remarks | Qty | Model | Pos | Part Number | Name | Remarks | Qty | Model |
|------|----------------|---|---------|-----|-------|-----|-------------|------|---------|-----|-------|
| 16 | 900 385 009 09 | torx screw M 6 X 16 | | 6 | | | | | | | |
| 17 | 999 703 494 40 | rubber mounting 15 X 19,5 | | 6 | | | | | | | |
| 18 | 999 025 255 02 | washer | | 4 | | | | | | | |
| 19 | 999 166 083 09 | tab washer B 25 | | 4 | | | | | | | |
| 20 | 997 575 341 00 | air duct | /L | 1 | | | | | | | |
| (20) | 997 575 342 00 | air duct | /R | 1 | | | | | | | |
| 21 | 997 106 232 01 | support outer | | 2 | | | | | | | |
| 22 | 997 106 455 00 | support left | | 1 | | | | | | | |
| 23 | 999 591 350 02 | speed nut ST 4,8 | | 6 | | | | | | | |
| 24 | 997 106 231 02 | support inner | | 2 | | | | | | | |
| 25 | 997 106 802 00 | spring SCB 26 | | 2 | | | | | | | |
| 29 | --- | condenser see illustrations 8/13/25 | | | | | | | | | |
| 30 | 997 106 456 00 | support right | | 1 | | | | | | | |
| 31 | 900 377 010 09 | hexagon nut M 6 | | 2 | | | | | | | |
| 32 | --- | control unit cooling air control | | 1 | | | | | | | |
| -- | | see illustrations 9/01/03 | | X | | | | | | | |
| | | - - - E N D - - - | | | | | | | | | |

| | | | | | | | | | | | |
|-------|------|----|----|--------------|--------------|--------|------|------------|---------|-----|---------|
| Model | Year | MG | SG | Illustration | Restrictions | Update | 7:17 | 28.08.2006 | PORSCHE | PET | PORSCHE |
| 997 | 07 | 1 | 05 | 105-17 | | 203 | | | | | |



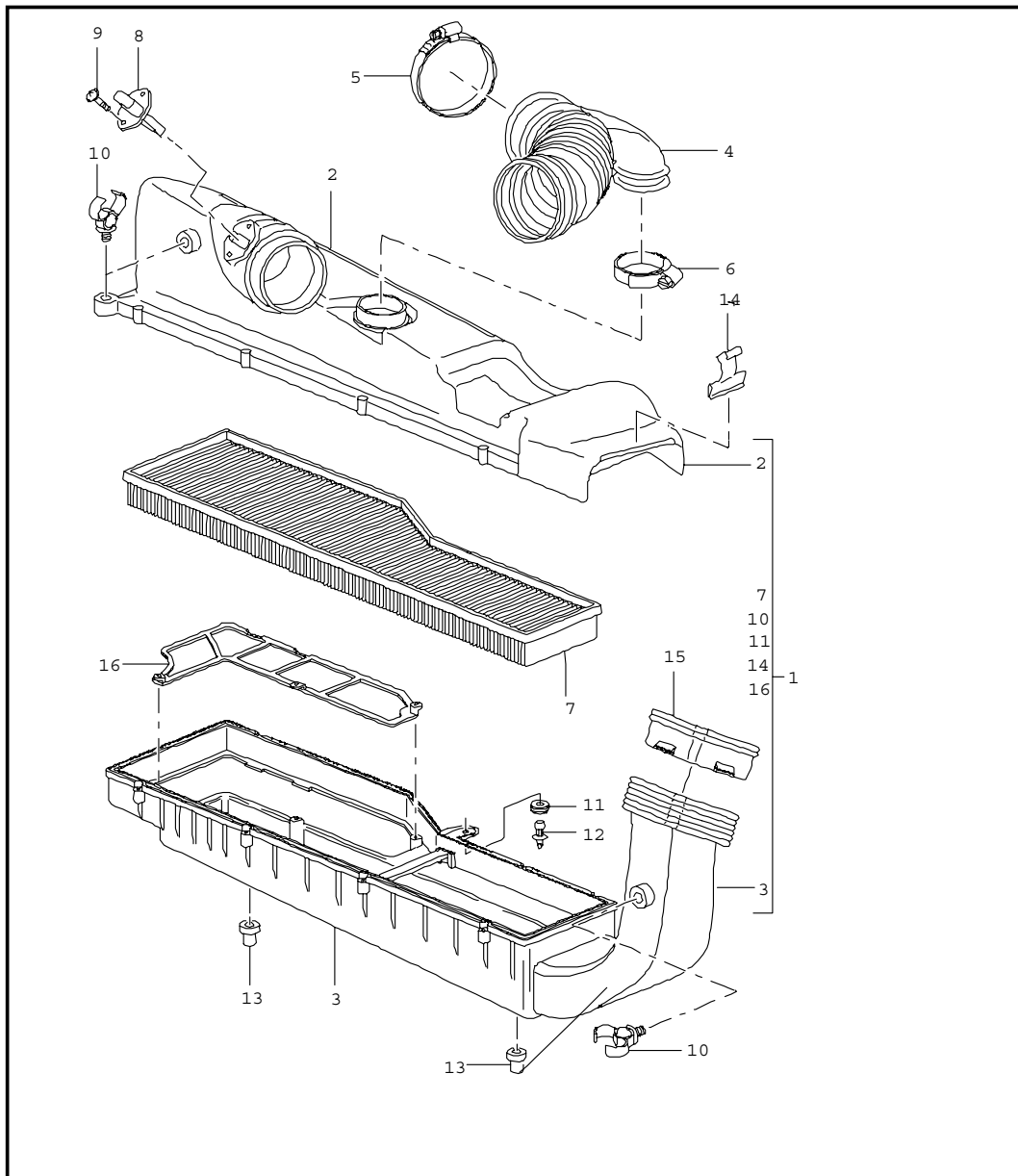
| Pos | Part Number | Name | Remarks | Qty | Model |
|-------------------|----------------|--------------------------------|---------|-----|--------|
| | | radiator | I 249 | | M97.01 |
| | | centre | I 249 | | M96.05 |
| 1 | 997 106 037 02 | radiator | | 1 | |
| 2 | 997 504 487 00 | retaining frame upper | | 1 | |
| 3 | 997 504 485 00 | retaining frame lower | | 1 | |
| 4 | 997 106 437 00 | rubber mounting | | 4 | |
| 5 | 900 378 035 09 | hexagon-head bolt M 6 X 16 | | 2 | |
| 6 | 999 591 882 02 | speed nut M 6 | | 2 | |
| 7 | 900 378 074 09 | hexagon-head bolt M 8 X 16 | | 4 | |
| 8 | 999 591 869 02 | speed nut M 8 | | 4 | |
| 9 | 997 575 141 00 | air duct radiator centre | | 1 | |
| 10 | 997 106 639 03 | water hose return | | 1 | |
| 11 | 997 106 638 03 | water hose supply | | 1 | |
| 12 | | see illustrations 1/05/15 | | X | |
| - - - E N D - - - | | | | | |

| | | | | | | | | | | | |
|-------|------|----|----|--------------|--------------|--------|------|------------|---------|-----|---------|
| Model | Year | MG | SG | Illustration | Restrictions | Update | 7:17 | 28.08.2006 | PORSCHE | PET | PORSCHE |
| 997 | 07 | 1 | 05 | 105-20 | | 203 | | | | | |



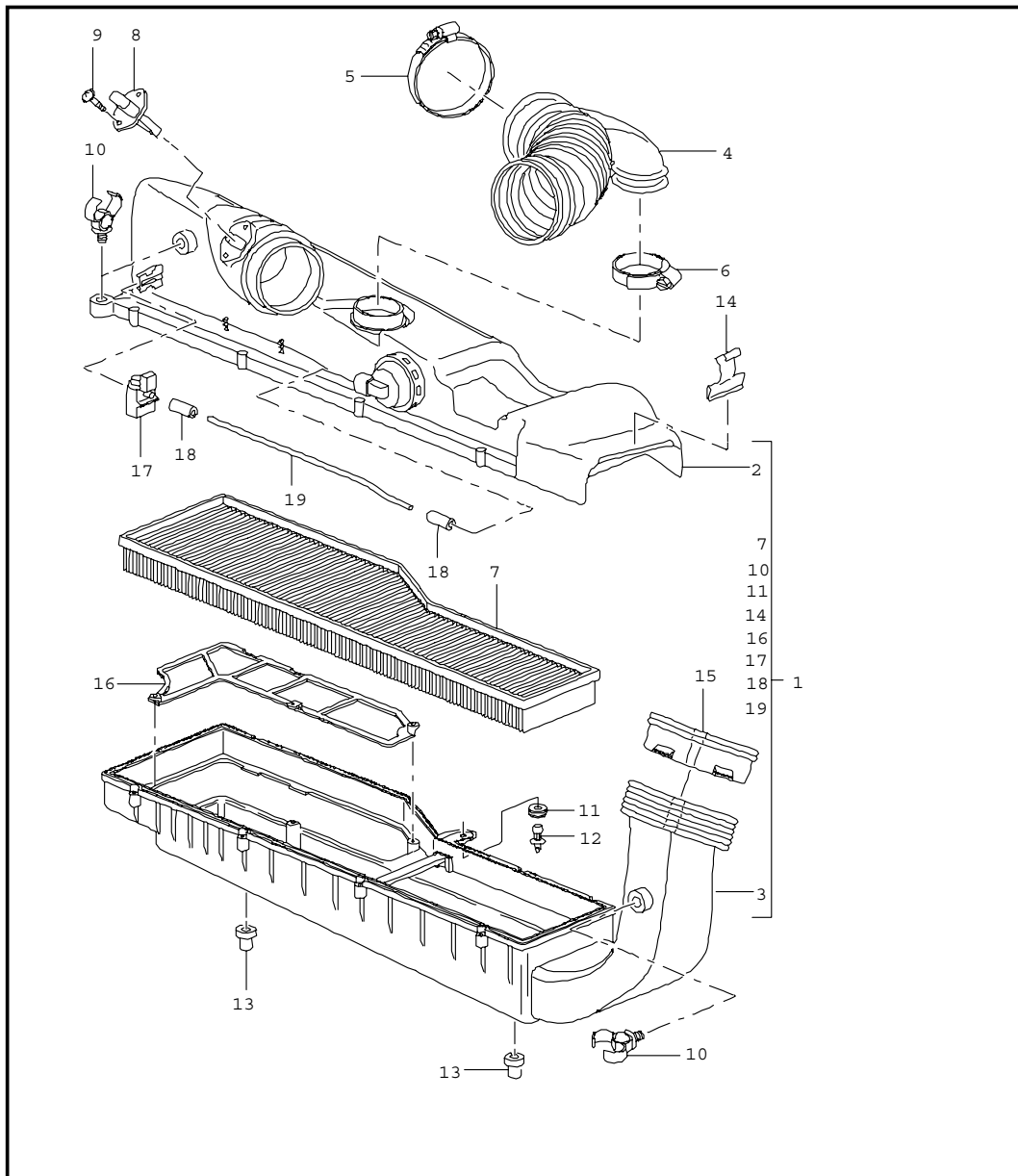
| Pos | Part Number | Name | Remarks | Qty | Model |
|-------------------|----------------|--|---------|-----|------------------|
| | | water cooling 4 | | | M97.01 M96.05 |
| 1 | 996 106 157 03 | water reservoir | | 1 | |
| 2 | 996 641 503 00 | switch | | 1 | |
| 3 | 999 919 058 02 | hexagon-head bolt 5,0 X 40 | | 8 | |
| 4 | 996 106 347 01 | bleeder valve | | 1 | |
| 5 | 996 106 447 01 | cover | | 1 | |
| 6 | 996 106 405 52 | support | | 1 | |
| 7 | 900 378 168 09 | hexagon-head bolt M 6 X 30 | | 2 | |
| 8 | 999 076 071 02 | hexagon nut M 6 | | 1 | |
| 9 | 996 106 251 71 | breather hose | | 1 | |
| 10 | 999 512 657 09 | hose clamp 26 X 12 | | 1 | |
| 11 | 996 106 297 00 | overflow hose | | 1 | |
| 12 | 999 707 370 40 | o-ring 47 X 4 | | 1 | |
| 13 | 999 707 371 40 | o-ring 17 X 4 | | 1 | |
| 14 | 997 106 851 01 | water hose | | 1 | |
| 16 | 000 043 203 78 | antifreeze protection 1 LTR. container | | X | |
| - - - E N D - - - | | | | | |

| | | | | | | | | | | | |
|-------|------|----|----|--------------|--------------|--------|------|------------|---------|-----|---------|
| Model | Year | MG | SG | Illustration | Restrictions | Update | 7:17 | 28.08.2006 | PORSCHE | PET | PORSCHE |
| 997 | 07 | 1 | 06 | 106-00 | | 203 | | | | | |



| Pos | Part Number | Name | Remarks | Qty | Model |
|-----|------------------|---|------------|-----|--------|
| | | air cleaner | | | M96.05 |
| 1 | A 997 110 023 00 | air cleaner complete | -05 06- | 1 | |
| (1) | 997 110 923 01 | air cleaner complete | | 1 | |
| 2 | 997 110 121 01 | air cleaner upper part | | 1 | |
| 3 | 997 110 122 01 | air cleaner lower part | | 1 | |
| 4 | --- | air box see illustrations 1/07/00 | | 1 | |
| 5 | 999 512 016 00 | hose clamp 80 - 100 | | 1 | |
| 6 | 999 512 636 00 | hose clamp 40 - 60 | | 1 | |
| 7 | 996 110 131 52 | air cleaner cartridge | | 1 | |
| 8 | 986 606 125 01 | mass air flow | | 1 | |
| 9 | 999 919 160 07 | oval-head screw M 5 X 20 | | 2 | |
| 10 | 999 507 544 40 | cable holder | | 2 | |
| 11 | 999 702 246 40 | grommet 12 X 17 | | 1 | |
| 12 | 997 110 137 01 | clip | | 1 | |
| 13 | 999 703 478 40 | grommet | | 1 | |
| 15 | 997 110 250 00 | sealing bellows | | 1 | |
| 16 | 997 110 240 00 | frame | | 1 | |
| | | - - - E N D - - - | | | |

| | | | | | | | | | | | |
|-------|------|----|----|--------------|--------------|--------|------|------------|---------|-----|---------|
| Model | Year | MG | SG | Illustration | Restrictions | Update | 7:18 | 28.08.2006 | PORSCHE | PET | PORSCHE |
| 997 | 07 | 1 | 06 | 106-01 | | 203 | | | | | |

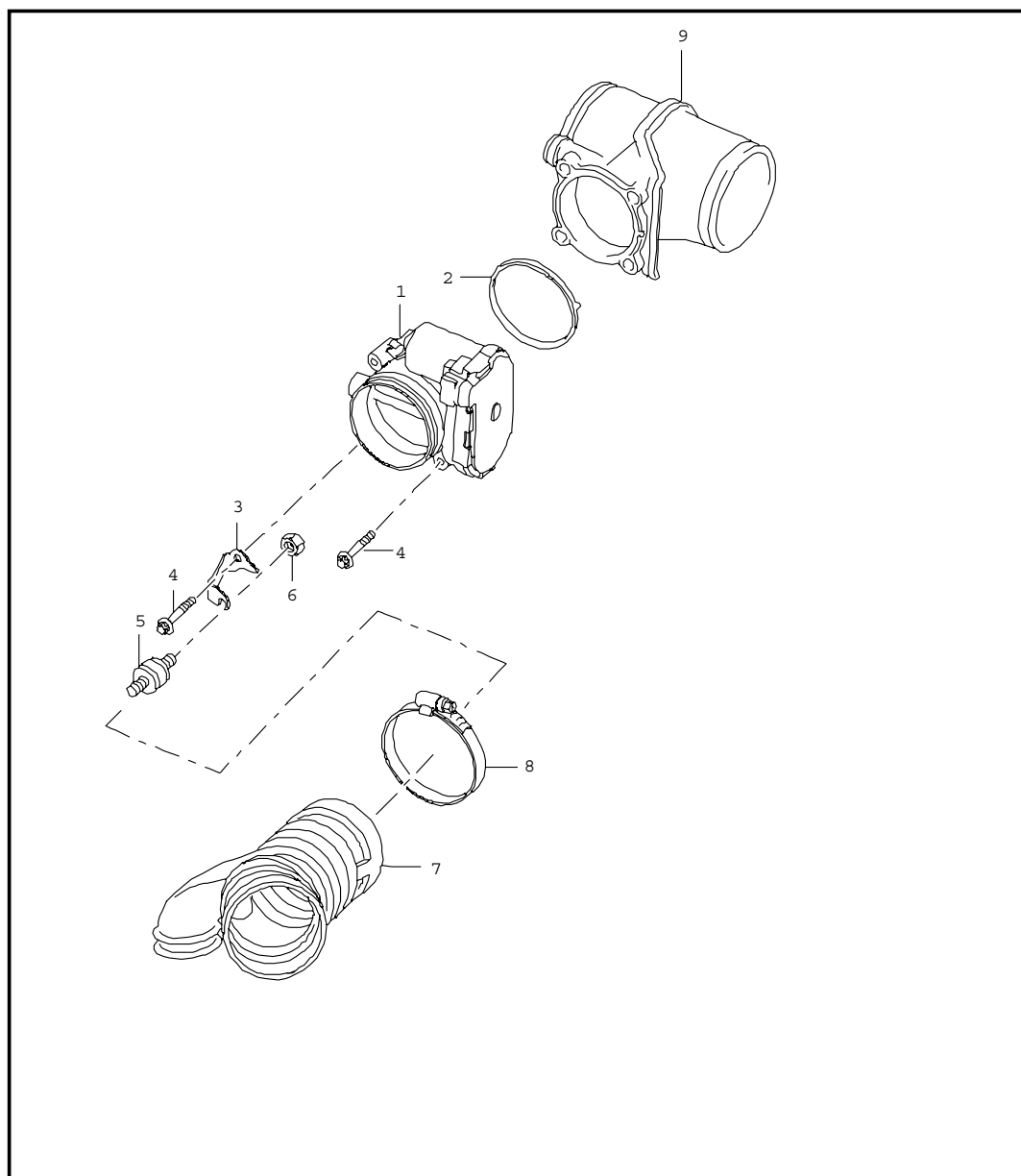


| Pos | Part Number | Name | Remarks | Qty | Model |
|-----|----------------|--|---------|-----|------------|
| 1 | 997 110 021 00 | air cleaner complete | | 1 | M97.01 |
| 1 | 997 110 921 00 | air cleaner complete without mass air flow | | 1 | |
| (1) | 997 110 921 01 | air cleaner complete without mass air flow | | 1 | |
| 1 | 997 110 925 00 | air cleaner complete without mass air flow | 06- | 1 | M97.01 X51 |
| 2 | 997 110 121 00 | air cleaner upper part | | 1 | |
| 3 | 997 110 122 00 | air cleaner lower part | | 1 | |
| 4 | --- | air box see illustrations 1/07/00 | | | |
| 5 | 999 512 016 00 | hose clamp 80 - 100 | | 1 | |
| 6 | 999 512 636 00 | hose clamp 40 - 60 | | 1 | |
| 7 | 996 110 131 52 | air cleaner cartridge | | 1 | |
| 7 | 997 110 132 00 | air cleaner cartridge | 06- | 1 | M97.01 X51 |
| 8 | 986 606 125 01 | mass air flow | | 1 | |
| 9 | 999 919 160 07 | oval-head screw M 5 X 20 | | 2 | |
| 10 | 999 507 544 40 | cable holder | | 2 | |
| 11 | 999 702 246 40 | grommet 12 X 17 | | 1 | |
| 12 | 997 110 137 01 | clip | | 1 | |
| 13 | 999 703 478 40 | grommet | | 1 | |
| 14 | 997 110 237 00 | clamp | | 1 | |
| 15 | 997 110 250 00 | sealing bellows | | 1 | |

| | | | | | | | | | | | |
|-------|------|----|----|--------------|--------------|--------|------|------------|---------|-----|---------|
| Model | Year | MG | SG | Illustration | Restrictions | Update | | | | | |
| 997 | 07 | 1 | 06 | 106-01 | | 203 | 7:18 | 28.08.2006 | PORSCHE | PET | PORSCHE |

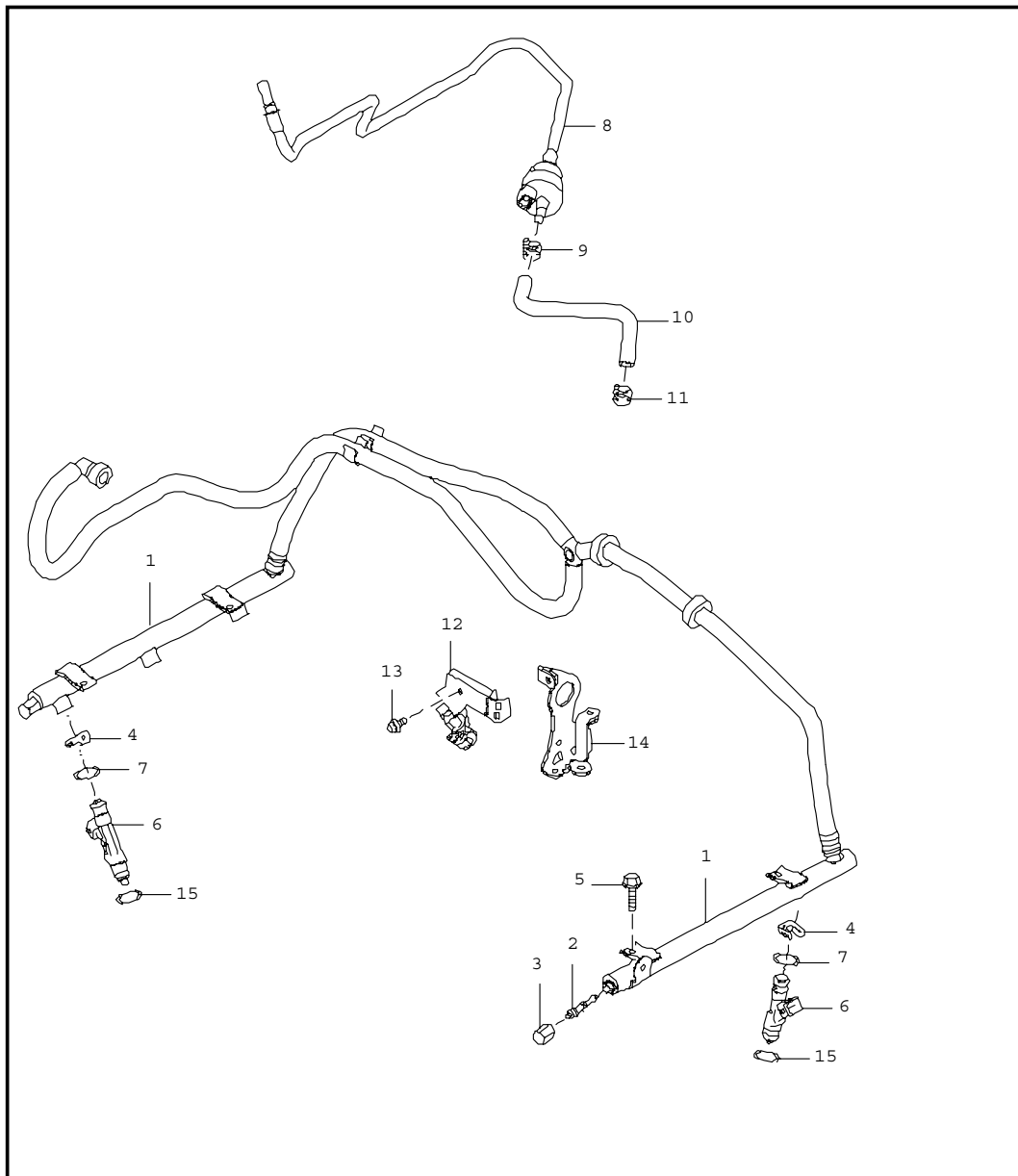
| Pos | Part Number | Name | Remarks | Qty | Model | Pos | Part Number | Name | Remarks | Qty | Model |
|------|----------------|--------------------------|---------|-----|------------|-----|-------------|------|---------|-----|-------|
| (15) | 997 110 252 00 | sealing bellows right | 06- | 1 | M97.01 X51 | | | | | | |
| 16 | 997 110 240 00 | frame | | 1 | | | | | | | |
| 17 | 996 605 123 01 | change-over valve | | 1 | | | | | | | |
| 18 | 999 239 040 40 | connecting piece | | 2 | | | | | | | |
| 19 | 999 181 369 40 | pipe | | 1 | | | | | | | |
| | | - - - E N D - - - | | | | | | | | | |

| | | | | | | | | | | | |
|-------|------|----|----|--------------|--------------|--------|------|------------|---------|-----|---------|
| Model | Year | MG | SG | Illustration | Restrictions | Update | 7:18 | 28.08.2006 | PORSCHE | PET | PORSCHE |
| 997 | 07 | 1 | 07 | 107-00 | | 203 | | | | | |



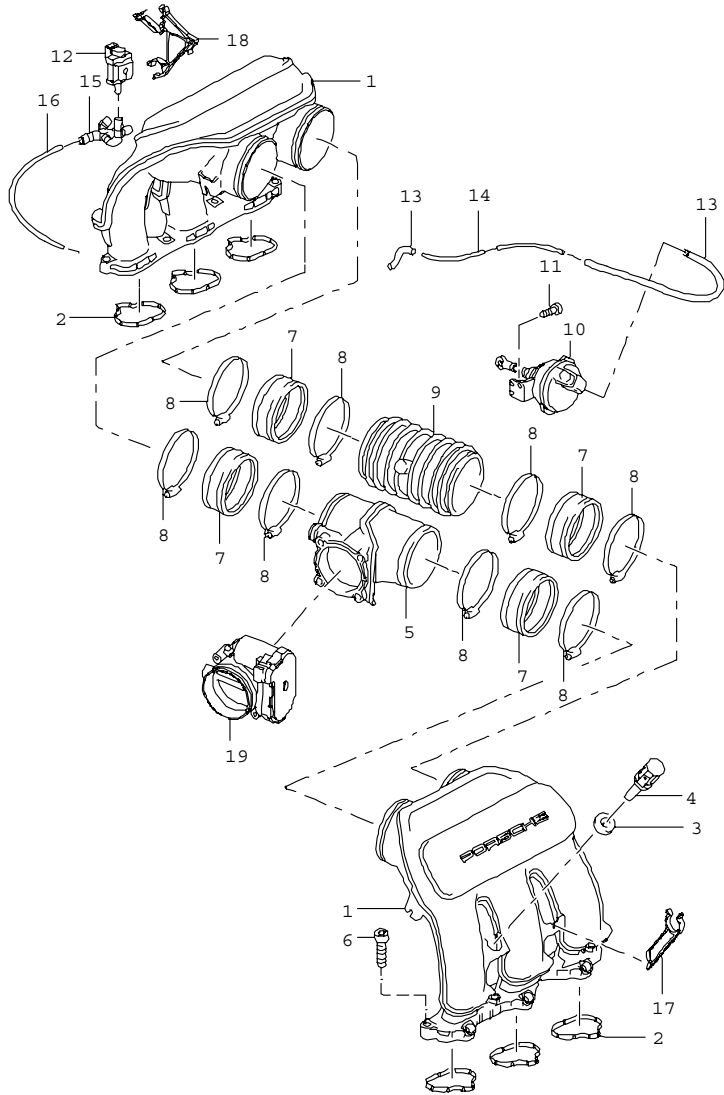
| Pos | Part Number | Name | Remarks | Qty | Model |
|-------------------|----------------|--|---------|-----|------------------|
| | | throttle body | | | M97.01 M96.05 |
| 1 | 996 605 115 01 | throttle body | 05 | 1 | |
| (1) | 997 605 115 00 | throttle body | 06- | 1 | |
| (1) | 997 605 116 00 | throttle body | 06- | 1 | M97.01 X51 |
| 2 | 997 110 319 00 | gasket distributor tube | | 1 | |
| 3 | 997 110 423 02 | bracket | | 1 | M97.01 |
| (3) | 996 110 223 32 | bracket | | 1 | M96.05 |
| (3) | 997 110 423 40 | bracket | 06- | 1 | M97.01 X51 |
| 4 | 900 385 025 04 | torx screw BM 6 X 40 | | 4 | |
| (4) | 900 385 125 01 | torx screw M 6 x 45 | 06- | 4 | M97.01 X51 |
| 5 | 999 703 349 00 | rubber mounting | | 1 | |
| 6 | 900 377 010 04 | hexagon-head bolt M 6 | | 1 | |
| 7 | 997 110 221 00 | air box | | 1 | M97.01 |
| (7) | 997 110 223 00 | air box | | 1 | M96.05 |
| (7) | 997 110 225 00 | air box | 06- | 1 | M97.01 X51 |
| 8 | 999 512 016 00 | hose clamp 80 - 100/12 | | 1 | |
| 9 | --- | distributor tube see illustrations 1/07/10 | | | |
| - - - E N D - - - | | | | | |

| | | | | | | | | | | | |
|-------|------|----|----|--------------|--------------|--------|------|------------|---------|-----|---------|
| Model | Year | MG | SG | Illustration | Restrictions | Update | 7:18 | 28.08.2006 | PORSCHE | PET | PORSCHE |
| 997 | 07 | 1 | 07 | 107-05 | | 203 | | | | | |



| Pos | Part Number | Name | Remarks | Qty | Model |
|-------------------|----------------|---------------------------------|---------|-----|------------------|
| | | fuel collection pipe | | | M97.01 M96.05 |
| 1 | 997 110 031 03 | fuel collection pipe | | 1 | |
| 2 | 993 110 217 00 | valve | | 2 | |
| 3 | 997 110 218 00 | cap | | 2 | |
| 4 | 996 110 113 52 | retaining clip | | 6 | |
| 5 | 900 385 041 09 | torx screw M 6 X 12 | | 4 | |
| 6 | 997 605 122 00 | injector valve | | 6 | |
| 7 | 999 707 574 40 | o-ring 7,52 X 3,51 | | 6 | |
| 8 | 997 110 129 00 | vent line | | 1 | M97.01 |
| (8) | 997 110 129 40 | vent line | 06- | 1 | M97.01 X51 |
| 8 | 997 110 128 01 | vent line | | 1 | M96.05 |
| 9 | 999 512 650 09 | hose clamp | | 1 | |
| 10 | 997 110 127 00 | hose | | 1 | M96.05 |
| 11 | 999 512 651 09 | hose clamp B 15 X 12 | | 1 | |
| 12 | 996 101 223 00 | support | | 1 | |
| 13 | 900 385 279 09 | hexagon-head bolt M6 X 12 MK | | 1 | |
| 14 | 996 101 213 56 | holder | | 1 | |
| 15 | 999 707 573 40 | o-ring 8,3 X 3,05 | | 6 | |
| - - - E N D - - - | | | | | |

| | | | | | | | | | | | |
|-------|------|----|----|--------------|--------------|--------|------|------------|---------|-----|---------|
| Model | Year | MG | SG | Illustration | Restrictions | Update | 7:18 | 28.08.2006 | PORSCHE | PET | PORSCHE |
| 997 | 07 | 1 | 07 | 107-10 | | 203 | | | | | |

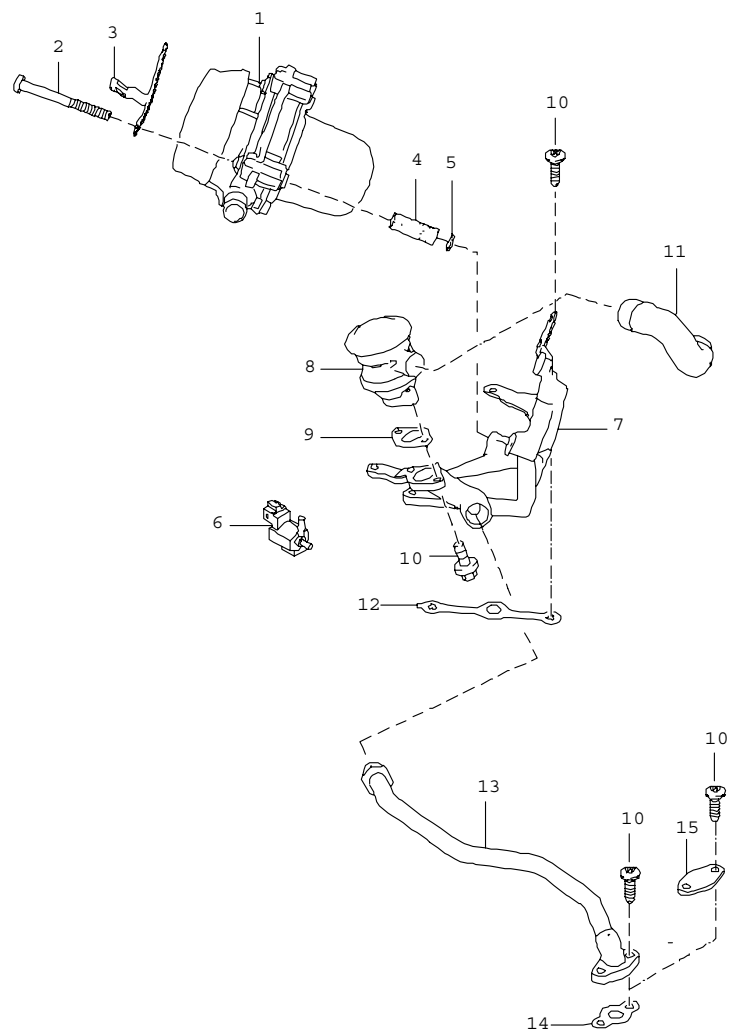


| Pos | Part Number | Name | Remarks | Qty | Model |
|------|----------------|--------------------------------------|---------|-----|------------------|
| | | intake distributor | | | M97.01 M96.05 |
| 1 | 997 110 115 03 | intake distributor | | 2 | M97.01 |
| (1) | 996 110 015 55 | intake distributor M >> 695 08696 | | 2 | M96.05 |
| (1) | 997 110 036 01 | intake distributor M 695 08697 >> | | 2 | M96.05 |
| (1) | 997 110 115 40 | intake distributor | 06- | 2 | M97.01 X51 |
| 2 | 997 110 247 00 | gasket | | 6 | |
| 3 | 993 110 530 01 | grommet | | 1 | |
| 4 | 997 606 213 00 | temperature sensor | | 1 | |
| 5 | 997 110 416 03 | distributor tube | | 1 | M97.01 |
| (5) | 996 110 116 01 | intermediate piece | | 1 | M96.05 |
| (5) | 997 110 416 40 | distributor tube | 06- | 1 | M97.01 X51 |
| 6 | 900 385 017 04 | torx screw M 6 X 35 | | 8 | |
| 7 | 997 110 685 00 | rubber sleeve | | 4 | |
| 7 | 997 110 685 40 | rubber sleeve | 06- | 4 | M97.01 X51 |
| 8 | 999 512 539 00 | hose clamp 90 - 110/9 | | 8 | |
| 9 | 996 110 120 53 | resonance tube | | 1 | |
| 10 | 993 110 462 02 | vacuum unit | | 1 | |
| 11 | 900 146 123 02 | screw M 5 X 16 | | 2 | |
| 12 | 996 605 123 01 | change-over valve | | 1 | |
| 13 | 928 574 717 05 | hose | | 1 | |
| -- | 000 043 205 01 | pipe 4 X 1 | | * | |
| 14 | --- | 340 MM | | 1 | M96.05 |
| (14) | --- | 420 MM | | 1 | M97.01 |
| (14) | --- | 210 MM | 06- | 1 | M97.01 X51 |
| 15 | 928 573 727 03 | y-piece triple | | 1 | |

| | | | | | | | | | | | |
|-------|------|----|----|--------------|--------------|--------|------|------------|---------|-----|---------|
| Model | Year | MG | SG | Illustration | Restrictions | Update | 7:18 | 28.08.2006 | PORSCHE | PET | PORSCHE |
| 997 | 07 | 1 | 07 | 107-10 | | 203 | | | | | |

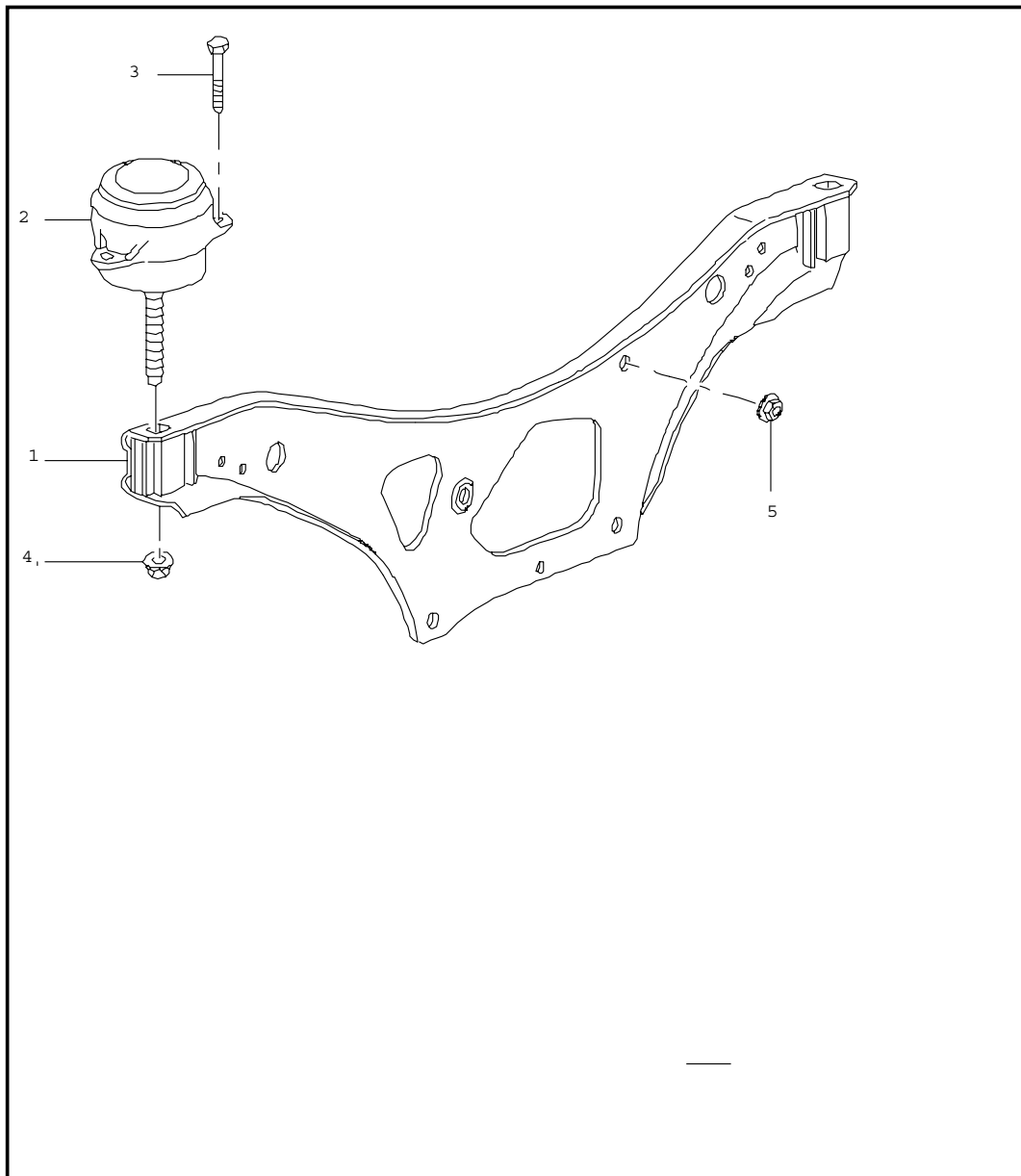
| Pos | Part Number | Name | Remarks | Qty | Model | Pos | Part Number | Name | Remarks | Qty | Model |
|------|----------------|--------------------------------|---------|-----|-------------|-----|-------------|------|---------|-----|-------|
| 15 | 928 573 729 03 | distributing piece fourfold | | 1 | | | | | | | |
| (15) | 928 574 717 05 | hose | | 1 | | | | | | | |
| -- | 000 043 205 01 | pipe 4 X 1 | | * | | | | | | | |
| 16 | --- | 270 MM | | 1 | M96.05 | | | | | | |
| (16) | --- | 210 MM | | 1 | M97.01 | | | | | | |
| (16) | --- | 210 MM | 06- | 1 | M97.01 X 51 | | | | | | |
| (16) | --- | 1100 MM | | 1 | M97.01 | | | | | | |
| (16) | --- | 1140 MM | | 1 | I249 | | | | | | |
| 17 | ... | see illustrations 1/04/11 | | 1 | | | | | | | |
| 18 | 997 110 547 00 | support lines | | 1 | M97.01 | | | | | | |
| 19 | --- | see illustrations 1/07/00 | | | | | | | | | |
| -- | 997 110 433 40 | support change-over valve | 06- | 2 | M97.01 X51 | | | | | | |
| | | - - - E N D - - - | | | | | | | | | |

| | | | | | | | | | | | |
|-------|------|----|----|--------------|--------------|--------|------|------------|---------|-----|---------|
| Model | Year | MG | SG | Illustration | Restrictions | Update | 7:18 | 28.08.2006 | PORSCHE | PET | PORSCHE |
| 997 | 07 | 1 | 08 | 108-05 | | 203 | | | | | |



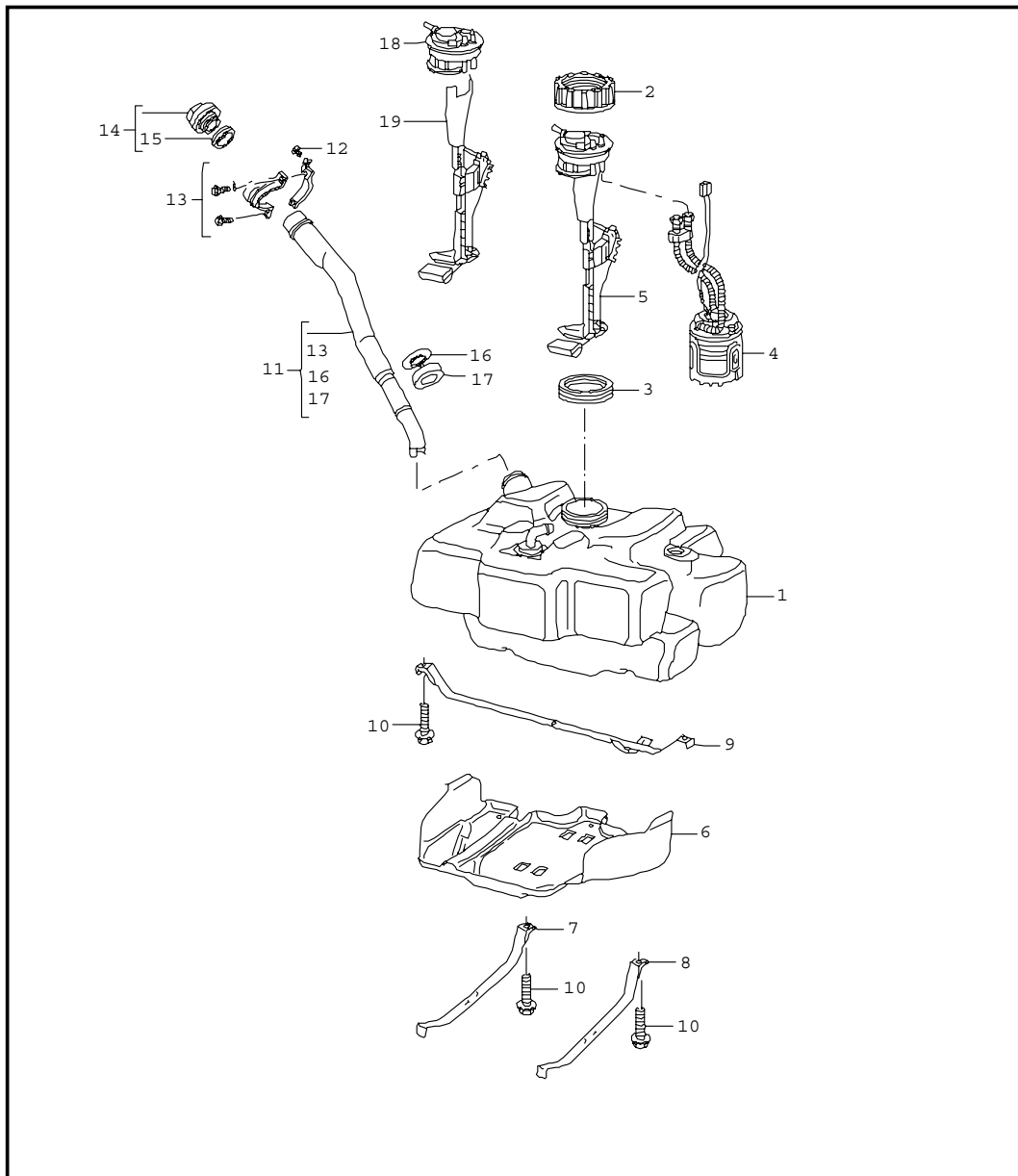
| Pos | Part Number | Name | Remarks | Qty | Model |
|-------------------|----------------|--------------------------------|---------|-----|------------------|
| | | air injection | | | M97.01 M96.05 |
| 1 | 997 605 104 00 | secondary pump | | 1 | I661 |
| 2 | 955 113 325 00 | oval-head screw M 6 X 50 | | 2 | M97.01 |
| (2) | 955 113 325 00 | oval-head screw M 6 X 50 | | 3 | I661 |
| 3 | 997 110 429 02 | support tank ventilation | | 1 | M97.01 |
| (3) | 997 110 429 40 | support tank ventilation | | 1 | M97.01/IX51 |
| 4 | 999 703 868 40 | rubber mounting 8,76 X 33,3 | | 3 | I661 |
| 5 | 999 209 077 02 | spacer sleeve 6,5 X 1 | | 2 | M97.01 |
| (5) | 999 209 077 02 | spacer sleeve 6,5 X 1 | | 3 | I661 |
| 6 | 996 605 123 01 | change-over valve | | 1 | |
| 7 | 997 113 137 01 | bracket secondary pump | | 1 | |
| 8 | 948 113 203 51 | valve | | 1 | I661 |
| 9 | 993 113 258 51 | gasket | | 1 | I661 |
| 10 | 999 073 344 04 | round head screw M 6 X 20 | | 5 | |
| (10) | 999 073 344 04 | round head screw M 6 X 20 | | 7 | I661 |
| 11 | 997 113 339 02 | hose | | 1 | I661 |
| 12 | 997 113 233 01 | gasket bracket | | 1 | I661 |
| (12) | 997 113 233 02 | gasket bracket | | 1 | |
| 13 | 997 113 117 01 | connecting line | | 1 | I661 |
| 14 | 996 113 213 51 | gasket | | 1 | |
| 15 | 997 113 340 00 | cover | | 1 | |
| - - - E N D - - - | | | | | |

| | | | | | | | | | | | |
|-------|------|----|----|--------------|--------------|--------|------|------------|---------|-----|---------|
| Model | Year | MG | SG | Illustration | Restrictions | Update | | | | | |
| 997 | 07 | 1 | 09 | 109-00 | | 203 | 7:19 | 28.08.2006 | PORSCHE | PET | PORSCHE |



| Pos | Part Number | Name | Remarks | Qty | Model |
|-----|----------------|-------------------------------|---------|-----|------------------|
| | | engine suspension | | | M97.01 M96.05 |
| 1 | 997 375 011 01 | engine carrier | | 1 | |
| 2 | 997 375 049 03 | hydraulic mount | | 2 | CABRIO |
| (2) | 997 375 049 04 | hydraulic mount | | 2 | COUPE |
| 3 | 900 378 055 09 | hexagon-head bolt M 8 X 40 | | 4 | |
| 4 | 999 084 215 09 | hexagon nut M 12 X 1,5 | | 2 | |
| 5 | 999 076 053 09 | hexagon nut M 10 | | 4 | |
| | | - - - E N D - - - | | | |

| | | | | | | | | | | | |
|-------|------|----|----|--------------|--------------|--------|------|------------|---------|-----|---------|
| Model | Year | MG | SG | Illustration | Restrictions | Update | 7:19 | 28.08.2006 | PORSCHE | PET | PORSCHE |
| 997 | 07 | 2 | 01 | 201-00 | | 203 | | | | | |

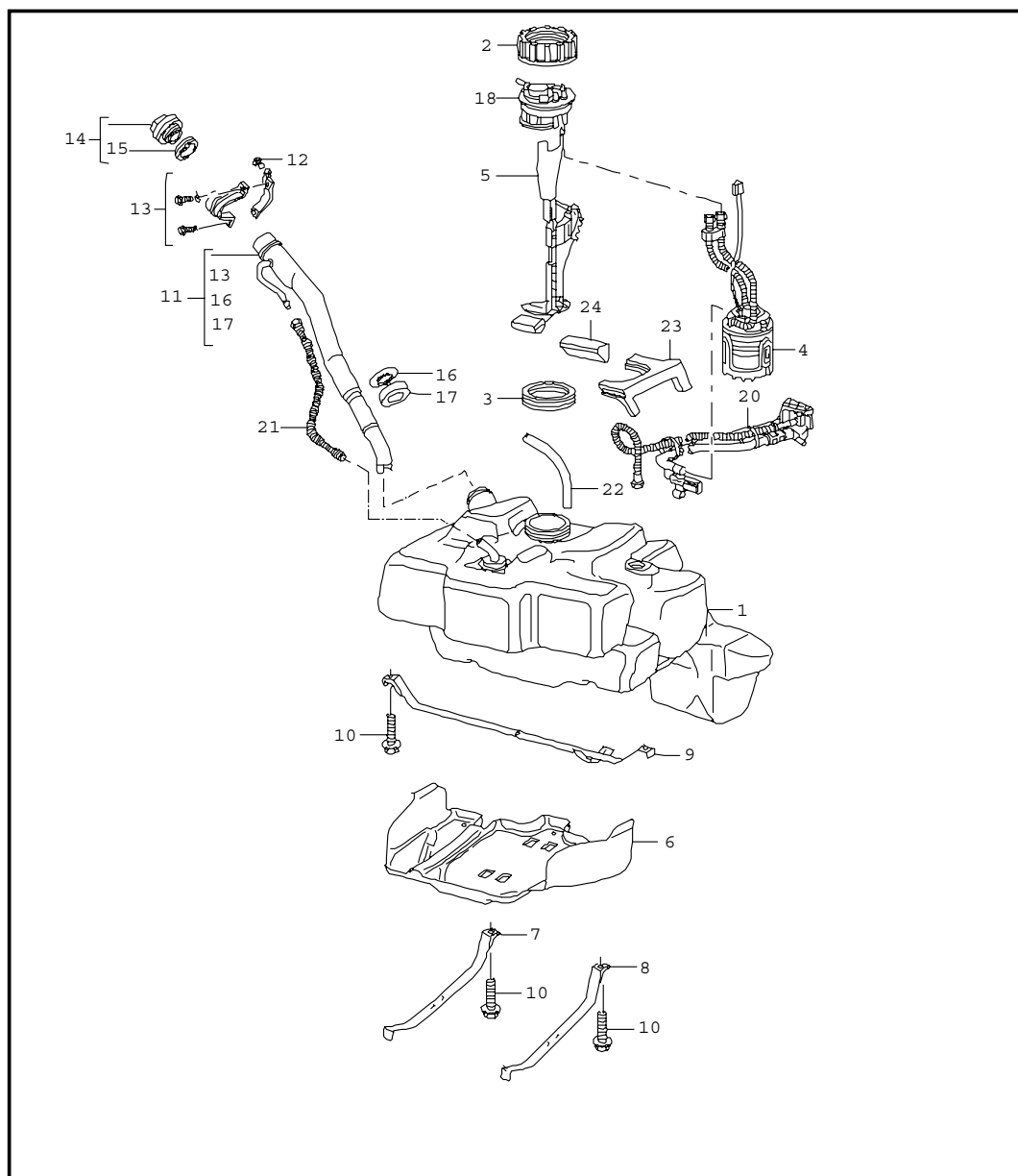


| Pos | Part Number | Name | Remarks | Qty | Model |
|------|----------------|--|---------|-----|-------------|
| | | fuel tank | | | I 338 |
| 1 | 996 201 021 05 | fuel tank | /LL | 1 | |
| (1) | 997 201 022 01 | fuel tank | /RL | 1 | |
| 2 | 996 201 623 00 | union nut | | 1 | |
| 3 | 321 919 133 | sealing ring | | 1 | |
| 4 | 996 620 132 00 | fuel pump | | 1 | |
| 5 | 996 620 832 02 | tank gauge with flange | | 1 | |
| 6 | 997 201 331 02 | protective plate | /LL | 1 | |
| (6) | 997 201 331 03 | protective plate | /RL | 1 | |
| 7 | 996 201 106 02 | restraining strap right | | 1 | |
| 8 | 996 201 105 02 | restraining strap left | | 1 | |
| 9 | 996 201 107 02 | restraining strap | /LL | 1 | |
| (9) | 996 201 108 00 | restraining strap | /RL | 1 | |
| 10 | 900 075 479 09 | screw M 8 X 40 | | 4 | |
| 11 | 997 201 043 00 | filler neck F >>995S7 34723 | | 1 | |
| 11 | 997 201 043 06 | filler neck F 995S7 34724>> | | 1 | |
| | | use also: F >>995S7 34723 997.201.951.00 | | 1 | |
| (11) | 997 201 043 01 | filler neck F >>995S7 16897 F >>995S7 03178 | | 1 | I 150 I 193 |
| (11) | 997 201 043 07 | filler neck F 995S7 16898>> F 995S7 03179>> | | 1 | I 150 I 193 |
| | | use also: F >>995S7 16897 F >>995S7 03178 997.201.951.00 | | 1 | I 150 I 193 |

| | | | | | | | | | | | | |
|-------|------|----|----|--------------|--------------|--------|------|------------|--|---------|-----|---------|
| Model | Year | MG | SG | Illustration | Restrictions | Update | | | | PORSCHE | PET | PORSCHE |
| 997 | 07 | 2 | 01 | 201-00 | | 203 | 7:19 | 28.08.2006 | | | | |

| Pos | Part Number | Name | Remarks | Qty | Model | Pos | Part Number | Name | Remarks | Qty | Model |
|------|----------------|--|---------|-----|-------|-----|-------------|------|---------|-----|-------|
| 12 | 999 015 025 09 | lens-head screw M 6 X 12 F >>995S7 34723 F >>995S7 16897 F >>995S7 03178 | | 1 | | | | | | | |
| (12) | 999 073 348 09 | oval-head screw M 6 X 12 F 995S7 34724>> F 995S7 16898>> F 995S7 03179>> | | 1 | | | | | | | |
| 13 | 997 201 951 00 | support complete F >>995S7 34723 F >>995S7 16897 F >>995S7 03178 | | 1 | | | | | | | |
| 13 | 997 201 951 02 | support complete F 995S7 34724>> F 995S7 16898>> F 995S7 03179>> | | 1 | | | | | | | |
| 14 | 996 201 241 03 | fuel tank cap with clip | | 1 | | | | | | | |
| - | 999 507 499 40 | expansion rivet | | 1 | | | | | | | |
| 15 | 191 201 557 | gasket | | 1 | | | | | | | |
| 16 | 996 201 755 00 | support washer | | 1 | | | | | | | |
| 17 | 996 201 753 00 | gasket | | 1 | | | | | | | |
| | | - - - E N D - - - | | | | | | | | | |

| | | | | | | | | | | | |
|-------|------|----|----|--------------|--------------|--------|------|------------|---------|-----|---------|
| Model | Year | MG | SG | Illustration | Restrictions | Update | 7:19 | 28.08.2006 | PORSCHE | PET | PORSCHE |
| 997 | 07 | 2 | 01 | 201-01 | | 203 | | | | | |

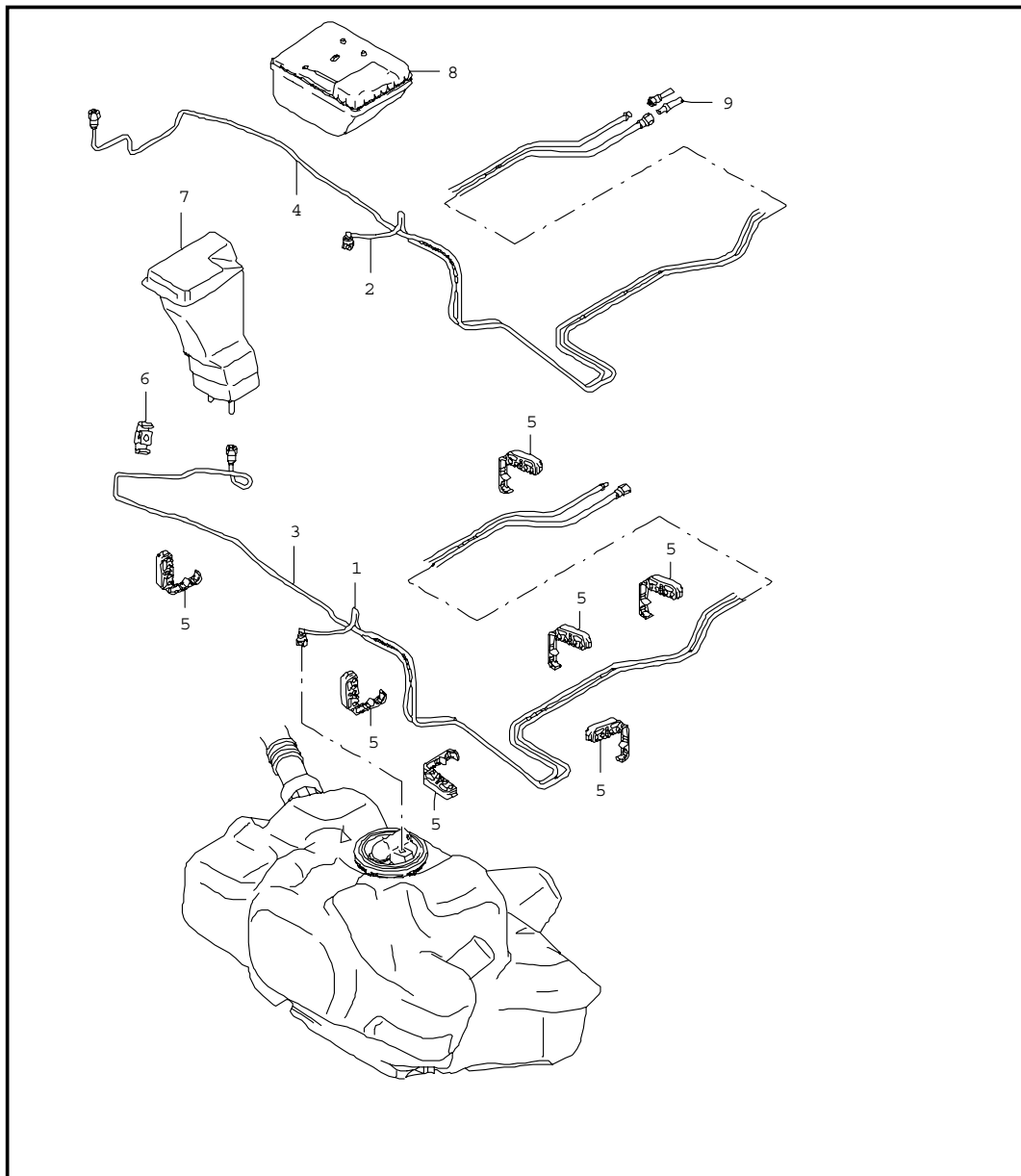


| Pos | Part Number | Name | Remarks | Qty | Model |
|------|----------------|---------------------------|---------|-----|--------------|
| | | fuel tank | | | I 339 |
| 1 | 997 201 021 01 | fuel tank | /LL | 1 | |
| (1) | 997 201 022 00 | fuel tank | /RL | 1 | |
| 2 | 997 201 623 00 | union nut | | 1 | |
| 3 | 997 201 733 00 | sealing ring | | 1 | |
| 4 | 997 620 133 00 | fuel pump | | 1 | |
| 5 | 997 620 833 00 | tank gauge without flange | | 1 | |
| 6 | 997 201 331 00 | protective plate | | 1 | |
| 7 | 997 201 106 00 | restraining strap right | | 1 | |
| 8 | 997 201 105 00 | restraining strap left | | 1 | |
| 9 | 997 201 107 00 | restraining strap | | 1 | |
| 10 | 900 075 479 09 | screw M 8 X 40 | | 4 | |
| 11 | 997 201 043 12 | filler neck | | 1 | |
| (11) | 997 201 043 10 | filler neck | | 1 | I 150 /I 193 |
| 12 | 999 073 348 09 | oval-head screw | | 1 | |
| 13 | 997 201 951 02 | support | | 1 | |
| 14 | 996 201 241 03 | fuel tank cap with clip | | 1 | |
| - | 999 507 499 40 | expansion rivet | | 1 | |
| 15 | 191 201 557 | gasket | | 1 | |
| 16 | 996 201 755 00 | support washer | | 1 | |
| 17 | 996 201 753 00 | gasket | | 1 | |
| 18 | 997 201 421 01 | flange for tank gauge | | 1 | |
| 20 | 997 620 113 00 | venturi tube | | 1 | |

| | | | | | | | | | | | |
|-------|------|----|----|--------------|--------------|--------|------|------------|---------|-----|---------|
| Model | Year | MG | SG | Illustration | Restrictions | Update | | | | | |
| 997 | 07 | 2 | 01 | 201-01 | | 203 | 7:19 | 28.08.2006 | PORSCHE | PET | PORSCHE |

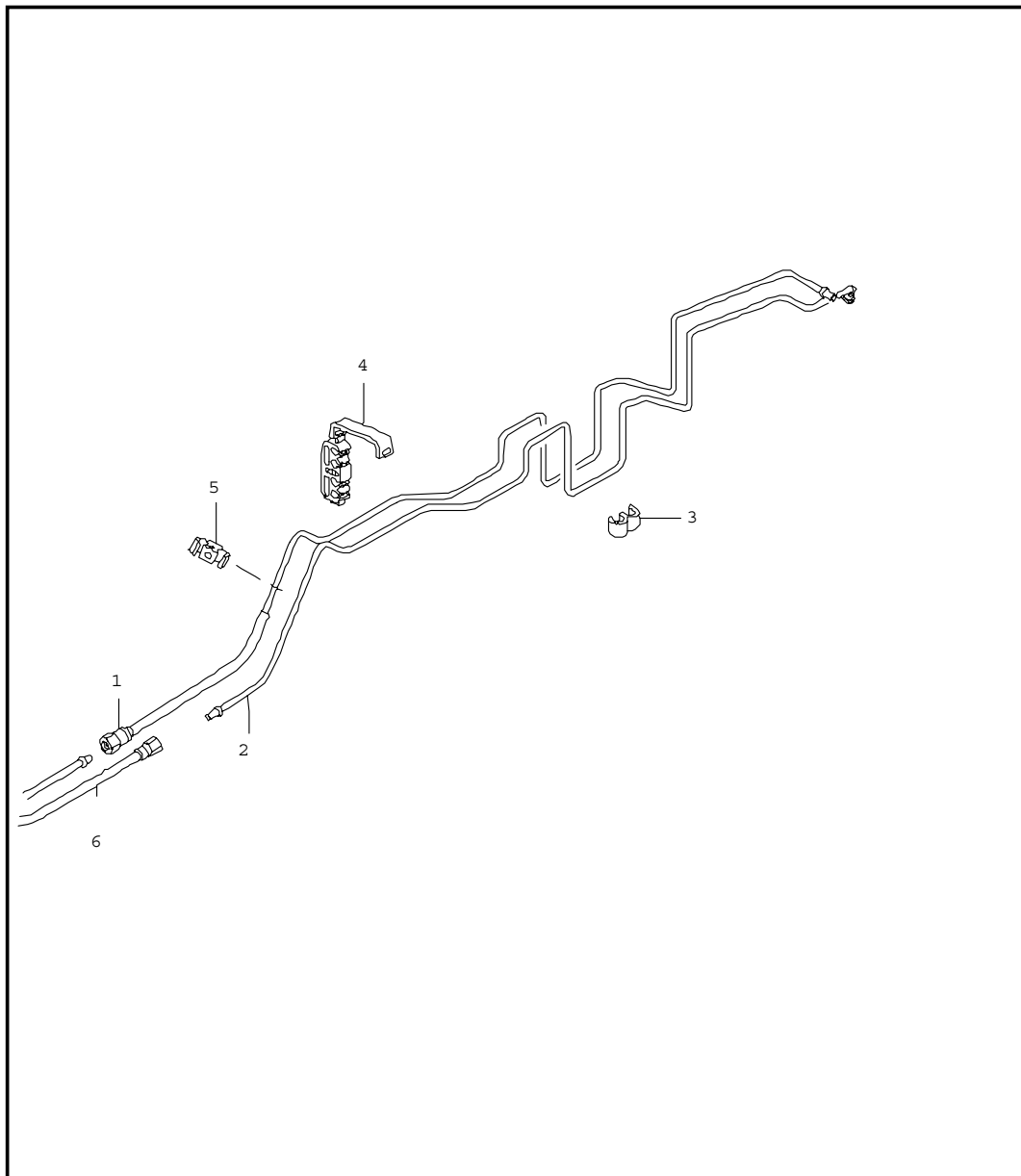
| Pos | Part Number | Name | Remarks | Qty | Model | Pos | Part Number | Name | Remarks | Qty | Model |
|------|----------------|---|---------|-----|-------|-----|-------------|------|---------|-----|-------|
| 21 | 996 201 613 00 | vent line fuel tank to filler neck | /RL | 1 | | | | | | | |
| (21) | 997 201 711 00 | vent line fuel tank to filler neck | /LL | 1 | | | | | | | |
| (22) | 997 201 721 00 | vent line in-tank fuel pump to inner pipe | | 1 | | | | | | | |
| | | - - - E N D - - - | | | | | | | | | |

| | | | | | | | | | | | |
|-------|------|----|----|--------------|--------------|--------|------|------------|---------|-----|---------|
| Model | Year | MG | SG | Illustration | Restrictions | Update | 7:19 | 28.08.2006 | PORSCHE | PET | PORSCHE |
| 997 | 07 | 2 | 01 | 201-05 | | 203 | | | | | |



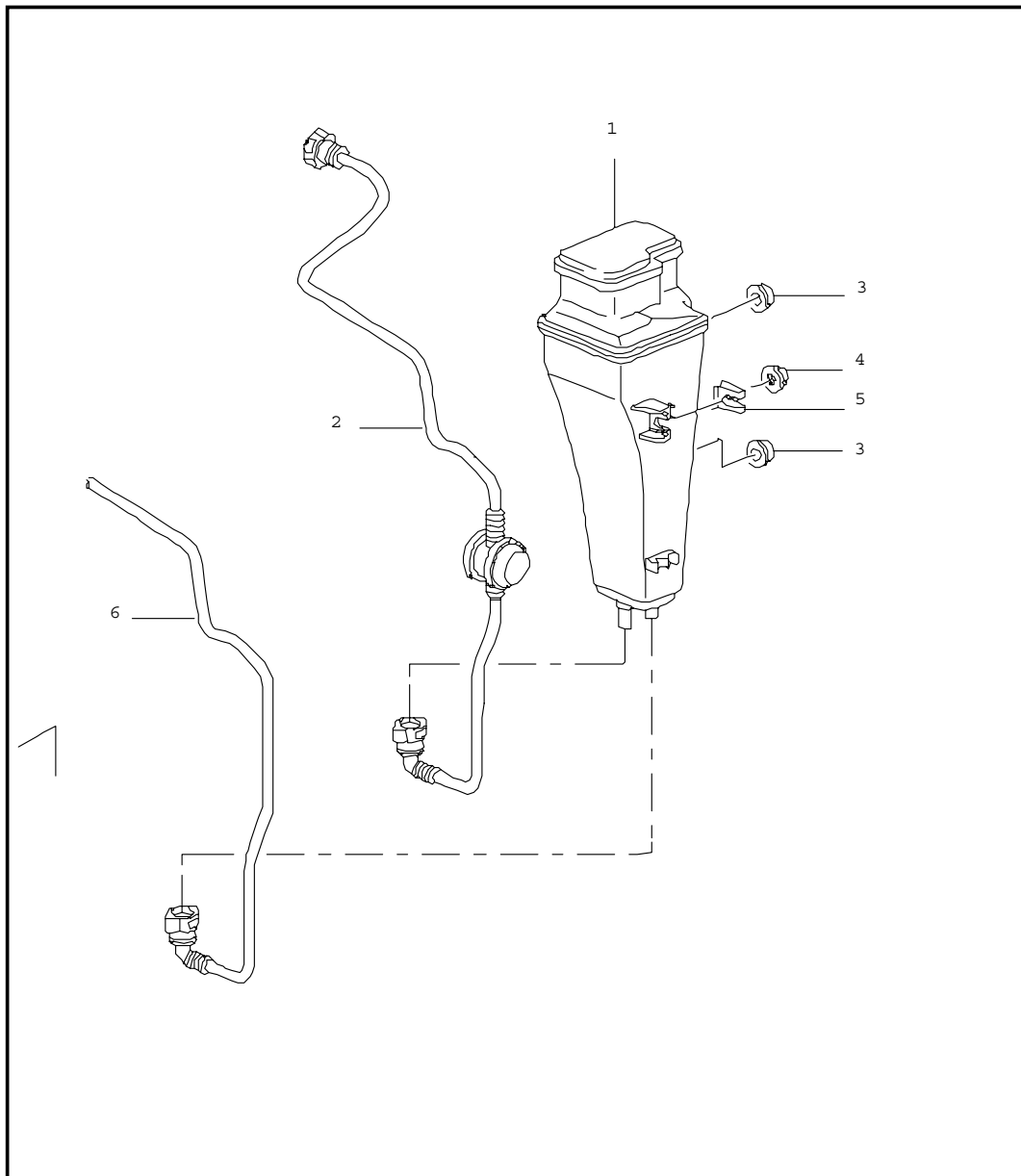
| Pos | Part Number | Name | Remarks | Qty | Model |
|-----|----------------|--|---------|-----|-------|
| | | fuel system front | | | I 338 |
| 1 | 997 201 261 02 | fuel line front fuel pump for engine | | 1 | I 338 |
| (1) | 997 201 261 03 | fuel line front fuel pump for engine | | 1 | I 339 |
| 3 | 997 201 351 02 | vent line front carbon canister for engine | | 1 | |
| 5 | 999 507 521 40 | cable holder 8,0/8/10 | | 8 | |
| 6 | 999 507 727 40 | cable holder 8,0/10,0 | | 1 | |
| - | 999 507 488 40 | cable holder 5,00/10,0 | | 1 | I 338 |
| 7 | ... | carbon canister see illustrations 201-20 | | 1 | |
| 9 | ... | lines rear see illustrations 201-10 | | 1 | |
| | | - - - E N D - - - | | | |

| | | | | | | | | | | | |
|-------|------|----|----|--------------|--------------|--------|------|------------|---------|-----|---------|
| Model | Year | MG | SG | Illustration | Restrictions | Update | 7:20 | 28.08.2006 | PORSCHE | PET | PORSCHE |
| 997 | 07 | 2 | 01 | 201-10 | | 203 | | | | | |



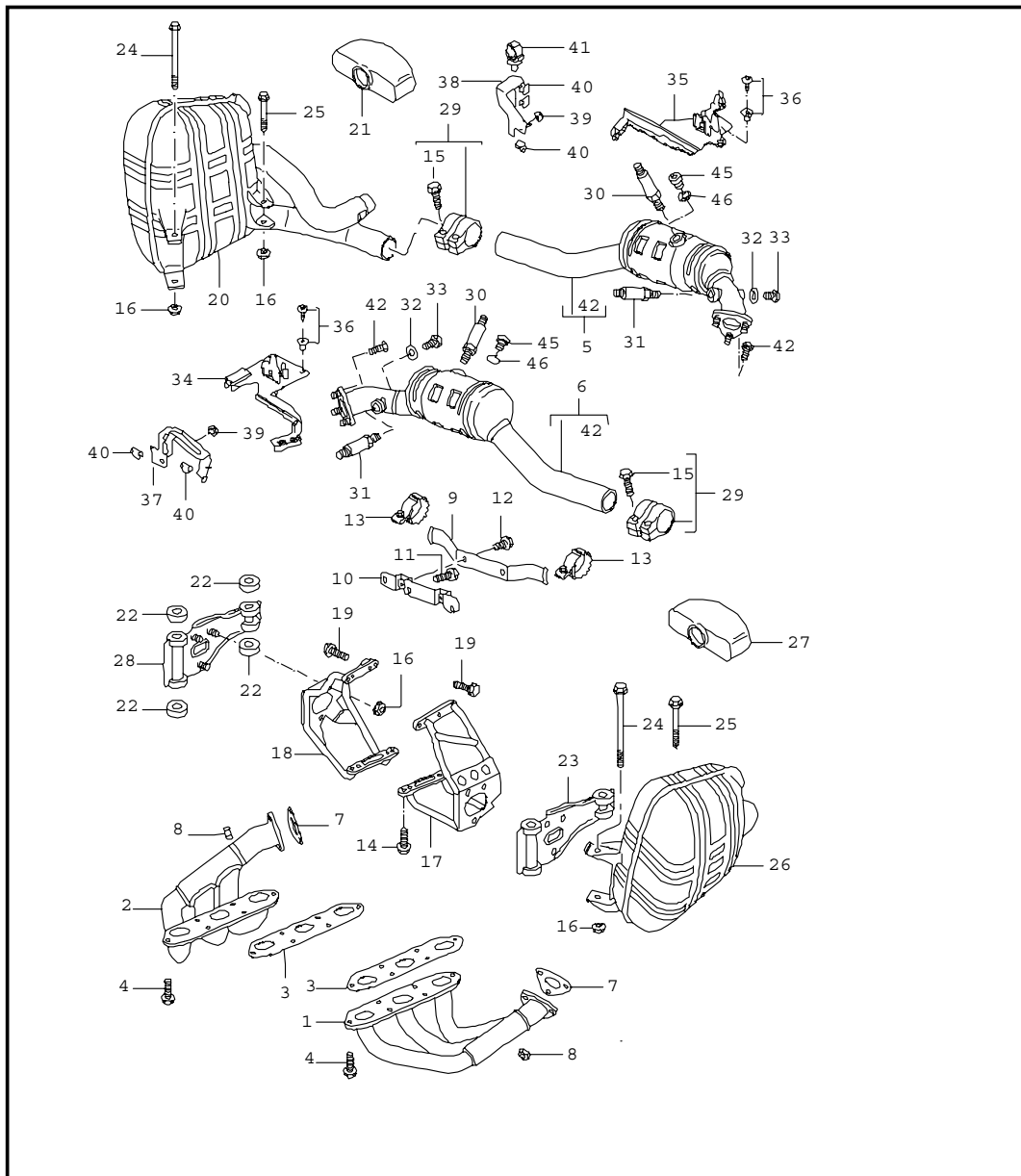
| Pos | Part Number | Name | Remarks | Qty | Model |
|-------------------|----------------|--|---------|-----|-------|
| | | fuel system rear | | | |
| 1 | 997 201 265 00 | fuel line rear fuel pump for engine | | 1 | |
| 2 | 997 201 355 00 | air tube rear carbon canister for engine | | 1 | |
| (3) | 999 507 488 40 | cable holder 5,00/10,0 | | 4 | |
| (4) | 999 507 521 40 | cable holder 8,0/8/10 | | 1 | |
| (5) | 999 507 727 40 | cable holder 8,0/10,0 | | 3 | |
| 6 | | lines front see illustrations 201-05 | | 1 | |
| - - - E N D - - - | | | | | |

| | | | | | | | | | | | |
|-------|------|----|----|--------------|--------------|--------|------|------------|---------|-----|---------|
| Model | Year | MG | SG | Illustration | Restrictions | Update | 7:20 | 28.08.2006 | PORSCHE | PET | PORSCHE |
| 997 | 07 | 2 | 01 | 201-20 | | 203 | | | | | |



| Pos | Part Number | Name | Remarks | Qty | Model |
|-------------------|----------------|---|---------|-----|-------|
| | | carbon canister | | | |
| 1 | 997 201 221 01 | carbon canister complete | | 1 | |
| 2 | 997 201 251 00 | vent line fuel tank for carbon canister | | 1 | I 338 |
| (2) | 997 201 251 01 | vent line fuel tank for carbon canister | | 1 | I 339 |
| 3 | 999 702 221 40 | grommet | | 2 | |
| 4 | 999 084 629 09 | hexagon nut M 6 | | 1 | |
| 5 | 999 507 543 02 | clamp 2,00 - 3,00 | | 1 | |
| 6 | --- | purge-air line front | | 1 | |
| - | | see illustrations 201-05 | | X | |
| - - - E N D - - - | | | | | |

| | | | | | | | | | | | |
|-------|------|----|----|--------------|--------------|--------|------|------------|---------|-----|---------|
| Model | Year | MG | SG | Illustration | Restrictions | Update | 7:20 | 28.08.2006 | PORSCHE | PET | PORSCHE |
| 997 | 07 | 2 | 02 | 202-00 | | 203 | | | | | |

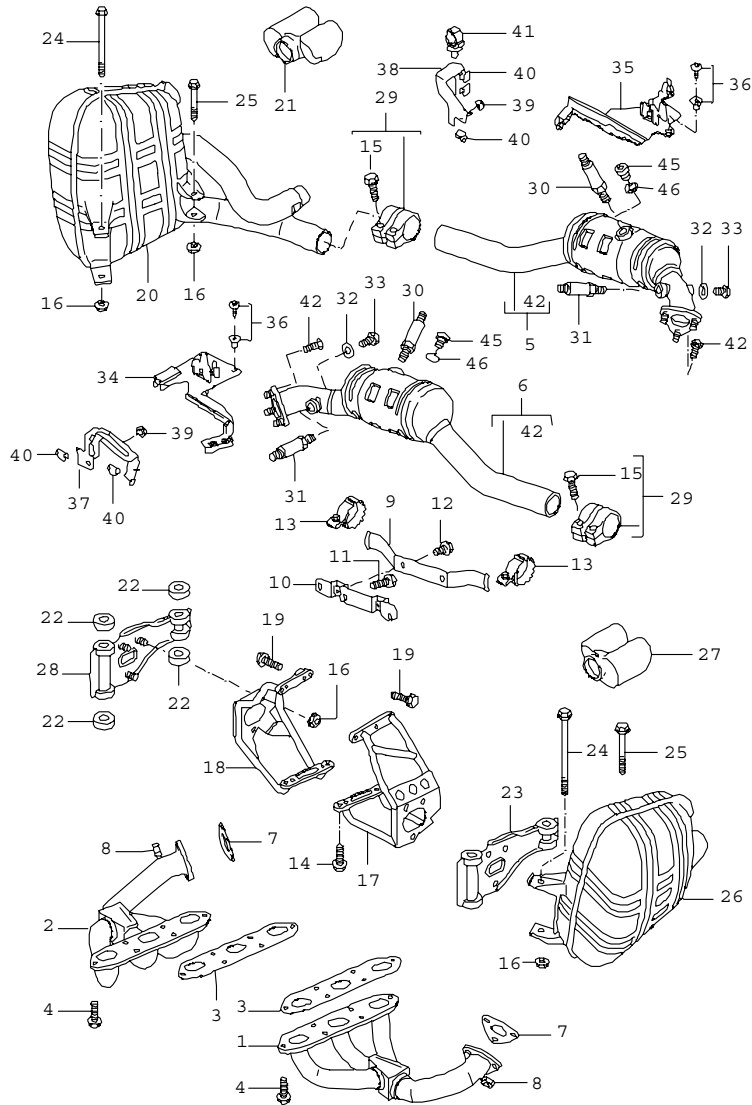


| Pos | Part Number | Name | Remarks | Qty | Model |
|-----|----------------|-----------------------------------|---------|-----|--------|
| | | exhaust system | | | M96.05 |
| 1 | 997 111 103 01 | exhaust manifold cyl. 1 - 3 | | 1 | |
| 2 | 997 111 104 01 | exhaust manifold cyl. 4 - 6 | | 1 | |
| 3 | 996 111 107 55 | gasket exhaust manifold | | 2 | |
| 4 | 999 075 074 00 | hexagon-head bolt M 8 X 26 | | 12 | |
| 5 | 997 113 033 02 | catalytic converter cyl. 1 - 3 | -05 | 1 | |
| (5) | 997 113 035 00 | catalytic converter cyl. 1 - 3 | 06- | 1 | |
| 6 | 997 113 034 02 | catalytic converter cyl. 4 - 6 | -05 | 1 | |
| (6) | 997 113 036 00 | catalytic converter cyl. 4 - 6 | 06- | 1 | |
| 7 | 997 111 113 00 | gasket | | 2 | |
| 8 | 999 084 046 02 | lock nut M 8 | | 6 | |
| 9 | 996 113 123 55 | support | -05 | 1 | |
| 10 | 996 113 223 50 | bracket | | 1 | |
| 11 | 900 385 019 04 | torx screw M 6 X 20 | | 1 | |
| 12 | 900 378 123 09 | hexagon-head bolt M 8 X 12 | | 2 | |
| 13 | 997 111 230 01 | clip | -05 | 2 | |
| 14 | 900 385 098 09 | screw M 8 X 30 lower | | 4 | |
| 15 | 900 378 055 09 | hexagon-head bolt M 8 X 40 | | 4 | |
| 16 | 900 380 005 09 | hexagon nut M 8 | | 10 | |
| 17 | 996 111 127 60 | support | | 1 | |
| 18 | 996 111 128 57 | support | | 1 | |

| | | | | | | | | | | | |
|-------|------|----|----|--------------|--------------|--------|------|------------|---------|-----|---------|
| Model | Year | MG | SG | Illustration | Restrictions | Update | 7:20 | 28.08.2006 | PORSCHE | PET | PORSCHE |
| 997 | 07 | 2 | 02 | 202-00 | | 203 | | | | | |

| Pos | Part Number | Name | Remarks | Qty | Model | Pos | Part Number | Name | Remarks | Qty | Model |
|------|----------------|---|---------|-----|------------------------------|------|----------------|--|---------|-----|-------|
| 19 | 900 385 096 09 | screw M 8 X 30 upper | | 4 | | (35) | 997 606 157 01 | cable guide oxygen sensor | 06- | 1 | |
| 20 | 997 111 211 02 | muffler | | 1 | | 36 | 999 591 941 40 | expander nut 4,2 | | 4 | |
| 20 | 997 111 231 02 | muffler | | 1 | I 068/ I 074 I 193/ I 479 | 37 | 996 606 158 04 | cable holder line oxygen sensor | -05 | 1 | |
| (21) | 997 111 151 00 | tail pipe | /R | 1 | | (37) | 997 606 148 01 | support line oxygen sensor | 06- | 1 | |
| 22 | 996 111 229 01 | damping piece | | 8 | | 38 | 996 606 157 07 | cable holder line oxygen sensor | -05 | 1 | |
| 23 | 996 111 237 03 | support | | 1 | | (38) | 997 606 147 01 | support line oxygen sensor | 06- | 1 | |
| 24 | 900 378 183 09 | hexagon-head bolt M 8 X 140 | | 2 | | 39 | 900 377 010 04 | hexagon-head bolt M 6 | | 2 | |
| 25 | 900 378 105 09 | hexagon-head bolt M 8 X 70 | | 2 | | 40 | 999 651 386 02 | cable clamp | -05 | 6 | |
| 26 | 997 111 212 02 | muffler | | 1 | | (40) | 999 651 394 40 | cable holder | 06- | 4 | |
| 26 | 997 111 232 02 | muffler | | 1 | I 068/ I 074 I 193/ I 479 | 41 | 999 511 239 40 | cable holder | -05 | 1 | |
| (27) | 997 111 152 00 | tail pipe | /L | 1 | | 42 | 900 075 365 02 | screw M 8 X 30 | | X | |
| 28 | 996 111 238 03 | support | | 1 | | 45 | 900 219 015 00 | screw plug M 18 X 1,5 deleted oxygen sensor after catalytic converter | | 2 | |
| 29 | 997 111 520 00 | clamping sleeve | | 2 | | 46 | 900 123 009 20 | sealing ring 18 X 24 deleted oxygen sensor after catalytic converter | | 2 | |
| 30 | 996 606 178 01 | oxygen sensor after catalytic converter | -05 | 2 | | | | - - - E N D - - - | | | |
| 30 | 997 606 177 01 | oxygen sensor after catalytic converter | 06- | 2 | | | | | | | |
| 31 | 996 606 168 01 | oxygen sensor in front of catalytic converter | -05 | 2 | | | | | | | |
| 31 | 997 606 176 01 | oxygen sensor in front of catalytic converter | 06- | 2 | | | | | | | |
| 34 | 996 606 156 00 | cable guide oxygen sensor | -05 | 1 | | | | | | | |
| (34) | 997 606 156 01 | cable guide oxygen sensor | 06- | 1 | | | | | | | |
| 35 | 997 606 157 00 | cable guide oxygen sensor | -05 | 1 | | | | | | | |

| | | | | | | | | | | | |
|-------|------|----|----|--------------|--------------|--------|------|------------|---------|-----|---------|
| Model | Year | MG | SG | Illustration | Restrictions | Update | 7:20 | 28.08.2006 | PORSCHE | PET | PORSCHE |
| 997 | 07 | 2 | 02 | 202-01 | | 203 | | | | | |

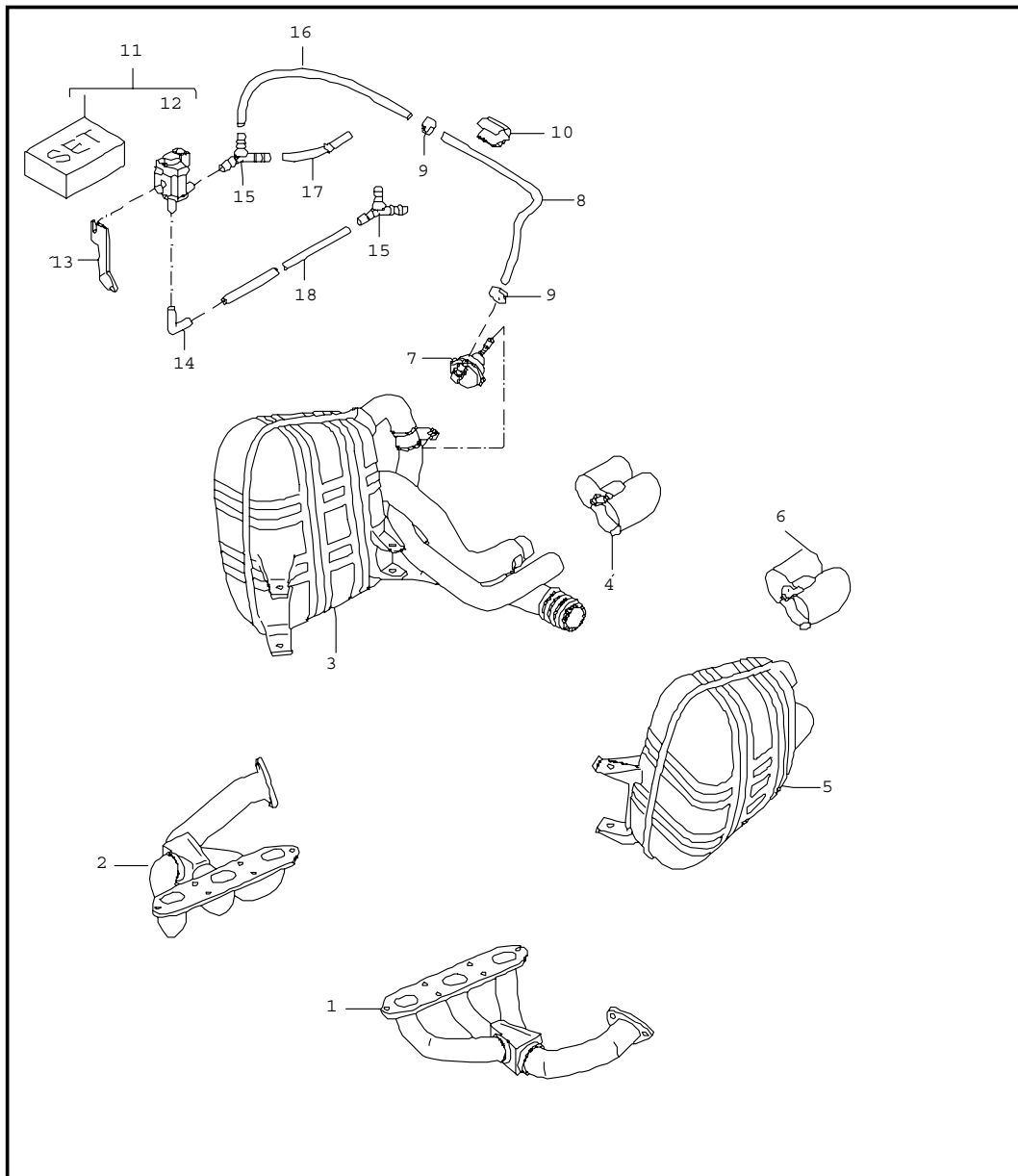


| Pos | Part Number | Name | Remarks | Qty | Model |
|-----|----------------|-----------------------------------|---------|-----|--------|
| | | exhaust system | | | M97.01 |
| 1 | 997 111 101 02 | exhaust manifold cyl. 1 - 3 | | 1 | |
| 2 | 997 111 102 02 | exhaust manifold cyl. 4 - 6 | | 1 | |
| 3 | 996 111 107 55 | gasket exhaust manifold | | 2 | |
| 4 | 999 075 074 00 | hexagon-head bolt M 8 X 26 | | 12 | |
| 5 | 997 113 033 02 | catalytic converter cyl. 1 - 3 | -05 | 1 | |
| (5) | 997 113 035 00 | catalytic converter cyl. 1 - 3 | 06- | 1 | |
| 6 | 997 113 034 02 | catalytic converter cyl. 4 - 6 | -05 | 1 | |
| (6) | 997 113 036 00 | catalytic converter cyl. 4 - 6 | 06- | 1 | |
| 7 | 997 111 113 00 | gasket | | 2 | |
| 8 | 999 084 046 02 | lock nut M 8 | | 6 | |
| 9 | 996 113 123 55 | support | -05 | 1 | |
| 10 | 996 113 223 50 | bracket | | 1 | |
| 11 | 900 385 019 04 | torx screw M 6 X 20 | | 1 | |
| 12 | 900 378 123 09 | hexagon-head bolt M 8 X 12 | | 2 | |
| 13 | 997 111 230 01 | clip | -05 | 2 | |
| 14 | 900 385 098 09 | screw M 8 X 30 lower | | 4 | |
| 15 | 900 378 055 09 | hexagon-head bolt M 8 X 40 | | 4 | |
| 16 | 900 380 005 09 | hexagon nut M 8 | | 10 | |
| 17 | 996 111 127 60 | support | | 1 | |
| 18 | 996 111 128 57 | support | | 1 | |

| | | | | | | | | | | | |
|-------|------|----|----|--------------|--------------|--------|------|------------|---------|-----|---------|
| Model | Year | MG | SG | Illustration | Restrictions | Update | 7:20 | 28.08.2006 | PORSCHE | PET | PORSCHE |
| 997 | 07 | 2 | 02 | 202-01 | | 203 | | | | | |

| Pos | Part Number | Name | Remarks | Qty | Model | Pos | Part Number | Name | Remarks | Qty | Model |
|------|------------------|---|---------|-----|------------------------------|------|----------------|---|---------|-----|-------|
| 19 | 900 385 096 09 | screw M 8 X 30 upper | | 4 | | 31 | 997 606 176 01 | oxygen sensor in front of catalytic converter | 06- | 2 | |
| 20 | 997 111 411 03 | muffler | | 1 | | 32 | 900 123 050 20 | sealing ring 8 X 11,5 | | 2 | I 660 |
| 20 | 997 111 431 03 | muffler | | 1 | I 068/ I 074 I 193/ I 479 | 33 | 900 124 021 05 | screw plug M 8 X 1 | | 2 | I 660 |
| 21 | A 997 111 351 01 | tail pipe | /R | 1 | | 34 | 996 606 156 00 | cable guide oxygen sensor | -05 | 1 | |
| (21) | U 997 111 351 02 | tail pipe | /R | 1 | | (34) | 997 606 156 01 | cable guide oxygen sensor | 06- | 1 | |
| (21) | U 997 111 351 03 | tail pipe | /R | 1 | | 35 | 997 606 157 00 | cable guide oxygen sensor | -05 | 1 | |
| (21) | 997 111 351 04 | tail pipe | /R | 1 | | (35) | 997 606 157 01 | cable guide oxygen sensor | 06- | 1 | |
| 22 | 996 111 229 01 | damping piece | | 8 | | 36 | 999 591 941 40 | expander nut 4,2 | | 4 | |
| 23 | 996 111 237 03 | support | | 1 | | 37 | 996 606 158 04 | cable holder line oxygen sensor | -05 | 1 | |
| 24 | 900 378 183 09 | hexagon-head bolt M 8 X 140 | | 2 | | (37) | 997 606 148 01 | support line oxygen sensor | 06- | 1 | |
| 25 | 900 378 105 09 | hexagon-head bolt M 8 X 70 | | 2 | | 38 | 996 606 157 07 | cable holder line oxygen sensor | -05 | 1 | |
| 26 | 997 111 412 03 | muffler | | 1 | | (38) | 997 606 147 01 | support line oxygen sensor | 06- | 1 | |
| 26 | 997 111 432 03 | muffler | | 1 | I 068/ I 074 I 193/ I 479 | 39 | 900 377 010 04 | hexagon-head bolt M 6 | | 2 | |
| 27 | A 997 111 352 01 | tail pipe | /L | 1 | | 40 | 999 651 386 02 | cable clamp | -05 | 6 | |
| (27) | U 997 111 352 02 | tail pipe | /L | 1 | | (40) | 999 651 394 40 | cable holder | 06- | 4 | |
| (27) | U 997 111 352 03 | tail pipe | /L | 1 | | 41 | 999 511 239 40 | cable holder | -05 | 1 | |
| (27) | 997 111 352 04 | tail pipe | /L | 1 | | 42 | 900 075 365 02 | screw M 8 X 30 | | X | |
| 28 | 996 111 238 03 | support | | 1 | | | | | | | |
| 29 | 997 111 520 00 | clamping sleeve | | 2 | | | | | | | |
| 30 | 996 606 178 01 | oxygen sensor after catalytic converter | | 2 | | | | | | | |
| 30 | 997 606 177 01 | oxygen sensor after catalytic converter | 06- | 2 | | | | | | | |
| 31 | 996 606 168 01 | oxygen sensor in front of catalytic converter | -05 | 2 | | | | | | | |

| | | | | | | | | | | | |
|-------|------|----|----|--------------|--------------|--------|------|------------|---------|-----|---------|
| Model | Year | MG | SG | Illustration | Restrictions | Update | 7:21 | 28.08.2006 | PORSCHE | PET | PORSCHE |
| 997 | 07 | 2 | 02 | 202-03 | | 203 | | | | | |



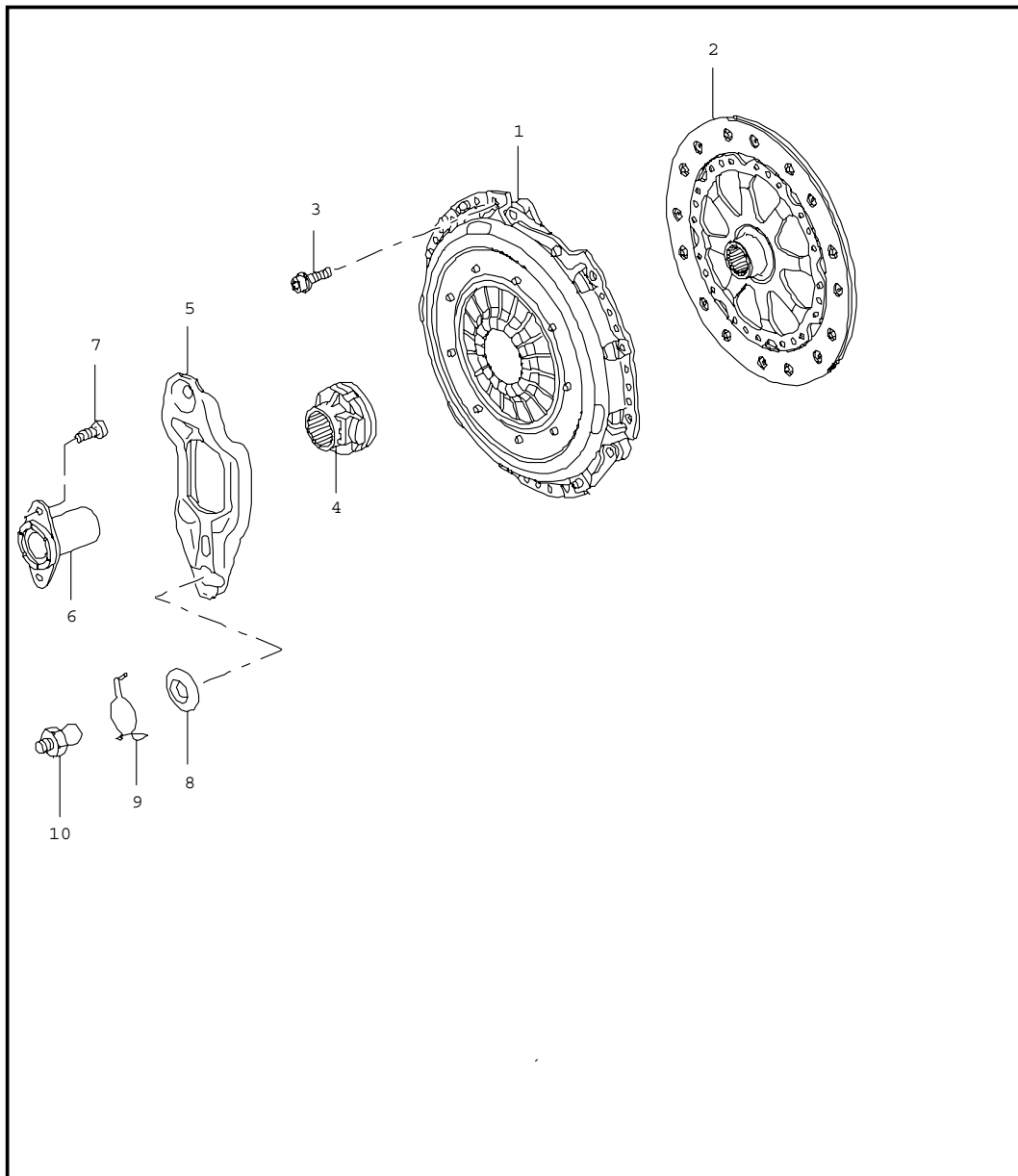
| Pos | Part Number | Name | Remarks | Qty | Model |
|-----|------------------|---|---------|-----|---|
| | | exhaust system exclusive programme single parts | | | M96.05 M97.01 I XLF I X54 M97.01 I X51 |
| (1) | 997 111 105 00 | exhaust manifold cyl. 1 - 3 | | 1 | M97.01 I X51 |
| (2) | 997 111 106 00 | exhaust manifold cyl. 4 - 6 | | 1 | M97.01 I X51 |
| 3 | U 997 111 611 00 | main exhaust muffler cyl. 1 - 3 | | 1 | M97.01 I XLF I X51 M96.05 I XLF |
| (3) | 997 111 611 02 | main exhaust muffler cyl. 1 - 3 | | 1 | M97.01 I XLF I X51 M96.05 I XLF |
| 4 | 997 111 981 20 | tail pipe right | | 1 | M97.01 I XLF I X51 M96.05 I XLF |
| (4) | 997 111 981 10 | tail pipe right | | 1 | M96.05 I X54 |
| (4) | U 997 111 981 00 | exhaust pipe right | | 1 | M97.01 I X54 |
| (4) | U 997 111 981 01 | exhaust pipe right | | 1 | M97.01 I X54 |
| (4) | 997 111 981 02 | exhaust pipe right | | 1 | M97.01 I X54 |
| 5 | U 997 111 612 00 | main exhaust muffler cyl. 4 - 6 | | 1 | M97.01 I XLF I X51 M96.05 I XLF |
| (5) | 997 111 612 02 | main exhaust muffler cyl. 4 - 6 | | 1 | M97.01 I XLF I X51 M96.05 I XLF |

| | | | | | | | | | | | | |
|-------|------|----|----|--------------|--------------|--------|------|------------|--|---------|-----|---------|
| Model | Year | MG | SG | Illustration | Restrictions | Update | | | | PORSCHE | PET | PORSCHE |
| 997 | 07 | 2 | 02 | 202-03 | | 203 | 7:21 | 28.08.2006 | | | | |

| Pos | Part Number | Name | Remarks | Qty | Model | Pos | Part Number | Name | Remarks | Qty | Model |
|-------|------------------|---|---------|--------------|---|------|----------------|---|---------|--------|------------------------------|
| 6 | 997 111 982 20 | tail pipe left | | 1 | M97.01 I XLF I X51 M96.05 I XLF | 15 | 928 573 727 03 | y-piece distributing piece triple | | 2 1 | I XLF/ I 480 I XLF/ I 249 |
| (6) | 997 111 982 10 | tail pipe left | | 1 | M96.05 I X54 | (15) | 928 573 729 03 | distributing piece fourfold in line vacuum pump | | 1 | I XLF/ I 249 |
| (6) U | 997 111 982 00 | exhaust pipe left | | 1 | M97.01 I X54 | 16 | 999 181 374 40 | hose right 4 X 1 X 250 | | 1 | I XLF |
| (6) U | 997 111 982 01 | exhaust pipe left | | 1 | M97.01 I X54 | 17 | 999 181 424 40 | hose left 4 X 1 X 800 | | 1 | I XLF |
| (6) | 997 111 982 02 | exhaust pipe left | | 1 | M97.01 I X54 | 18 | 999 181 401 40 | hose change-over valve to vacuum pump 4 X 1 X 580 | | 1 | I XLF |
| 7 | 997 111 680 00 | vacuum unit with gear shift rod left and right | | 2 | I XLF | - | | tip switch see illustrations 903-05 | | 1 | I XLF |
| (7) U | 997 111 681 00 | vacuum unit | | 1 | I XLF | | | | | | |
| 8 | 917 355 021 00 | hose line 3 X 700 | | 2 | I XLF | | | | | | |
| 9 | 999 512 361 02 | hose clamp 6 X 7 | | 4 | I XLF | | | | | | |
| 10 | 999 591 746 02 | cable terminal 7,0 - 9,0 | | 4 | I XLF | | | | | | |
| - | 999 513 049 40 | tie-wrap 8,0 - 30 | | 2 | I XLF | | | | | | |
| 11 | 997 612 905 00 | set | | 1 | I XLF | | | | | | |
| | | comprising: change-over valve harness tie-wrap | | 1 3 12 | | | | | | | |
| 12 | 996 605 123 01 | change-over valve | | 1 | I XLF | | | | | | |
| 13 | 996 111 989 00 | retaining bracket for change-over valve | | 1 | I XLF | | | | | | |
| 14 | A 928 574 717 03 | hose | | 1 | I XLF | | | | | | |
| (14) | 928 574 717 05 | hose | | 1 | I XLF | | | | | | |

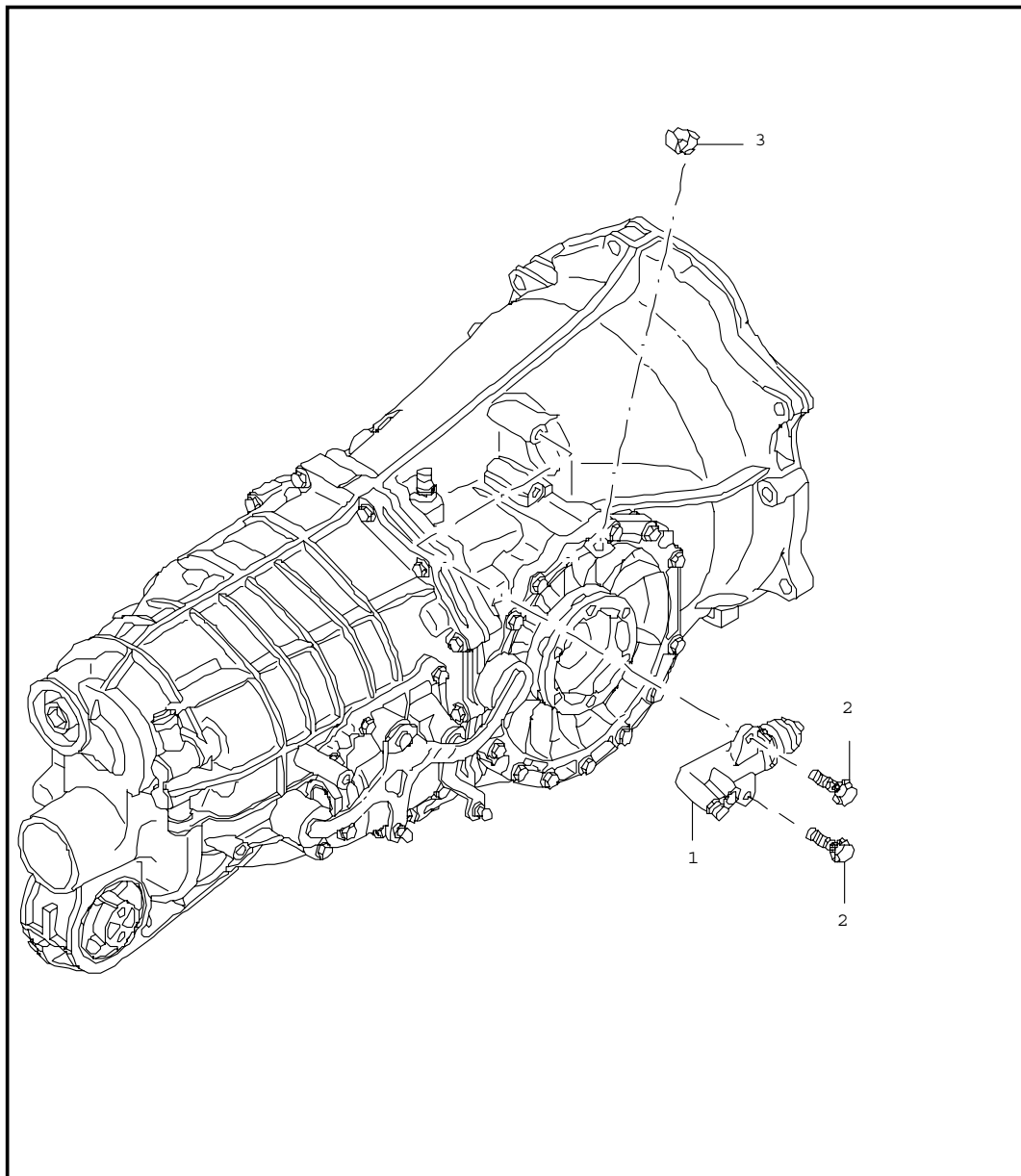
- - - E N D - - -

| | | | | | | | | | | | |
|-------|------|----|----|--------------|--------------|--------|------|------------|---------|-----|---------|
| Model | Year | MG | SG | Illustration | Restrictions | Update | 7:21 | 28.08.2006 | PORSCHE | PET | PORSCHE |
| 997 | 07 | 3 | 01 | 301-00 | | 203 | | | | | |



| Pos | Part Number | Name | Remarks | Qty | Model |
|-------------------|----------------|-------------------------------|---------|-----|------------------|
| | | clutch | | | M97.01 M96.05 |
| 1 | 997 116 027 12 | pressure plate | | 1 | M97.01 |
| (1) | 997 116 027 00 | pressure plate | | 1 | M96.05 |
| 2 | 997 116 013 10 | clutch plate | | 1 | |
| 3 | 900 387 265 09 | pan-head screw M 8 X 16 | | 6 | |
| 4 | 997 116 080 00 | clutch release bearing | 05 | 1 | |
| 4 | 997 116 080 01 | clutch release bearing | 06- | 1 | |
| 5 | 997 116 712 00 | clutch release lever | | 1 | |
| 6 | 996 116 087 01 | guide sleeve | | 1 | |
| 7 | N 903 663 01 | pan-head screw M 8 X 22 | | 2 | |
| 8 | 996 116 743 00 | sealing ring | | 1 | |
| 9 | 996 116 741 00 | clamp | | 1 | |
| 10 | 997 116 716 00 | ball pin | | 1 | |
| -- | 000 043 304 02 | grease container 50 Gr. | | 1 | |
| - - - E N D - - - | | | | | |

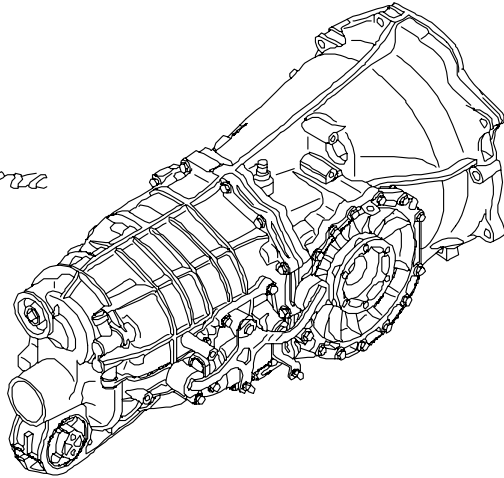
| | | | | | | | | | | | |
|-------|------|----|----|--------------|--------------|--------|------|------------|---------|-----|---------|
| Model | Year | MG | SG | Illustration | Restrictions | Update | 7:21 | 28.08.2006 | PORSCHE | PET | PORSCHE |
| 997 | 07 | 3 | 01 | 301-05 | | 203 | | | | | |



| Pos | Part Number | Name | Remarks | Qty | Model |
|-------------------|----------------|---|---------|-----|--------|
| | | clutch release clutch operating cylinder | | | G97.01 |
| 1 | 996 116 237 06 | clutch operating cylinder | | 1 | |
| 2 | 900 378 033 09 | hexagon-head bolt M 8 X 30 | | 2 | |
| 3 | 999 507 586 40 | cable holder | | 1 | |
| - - - E N D - - - | | | | | |

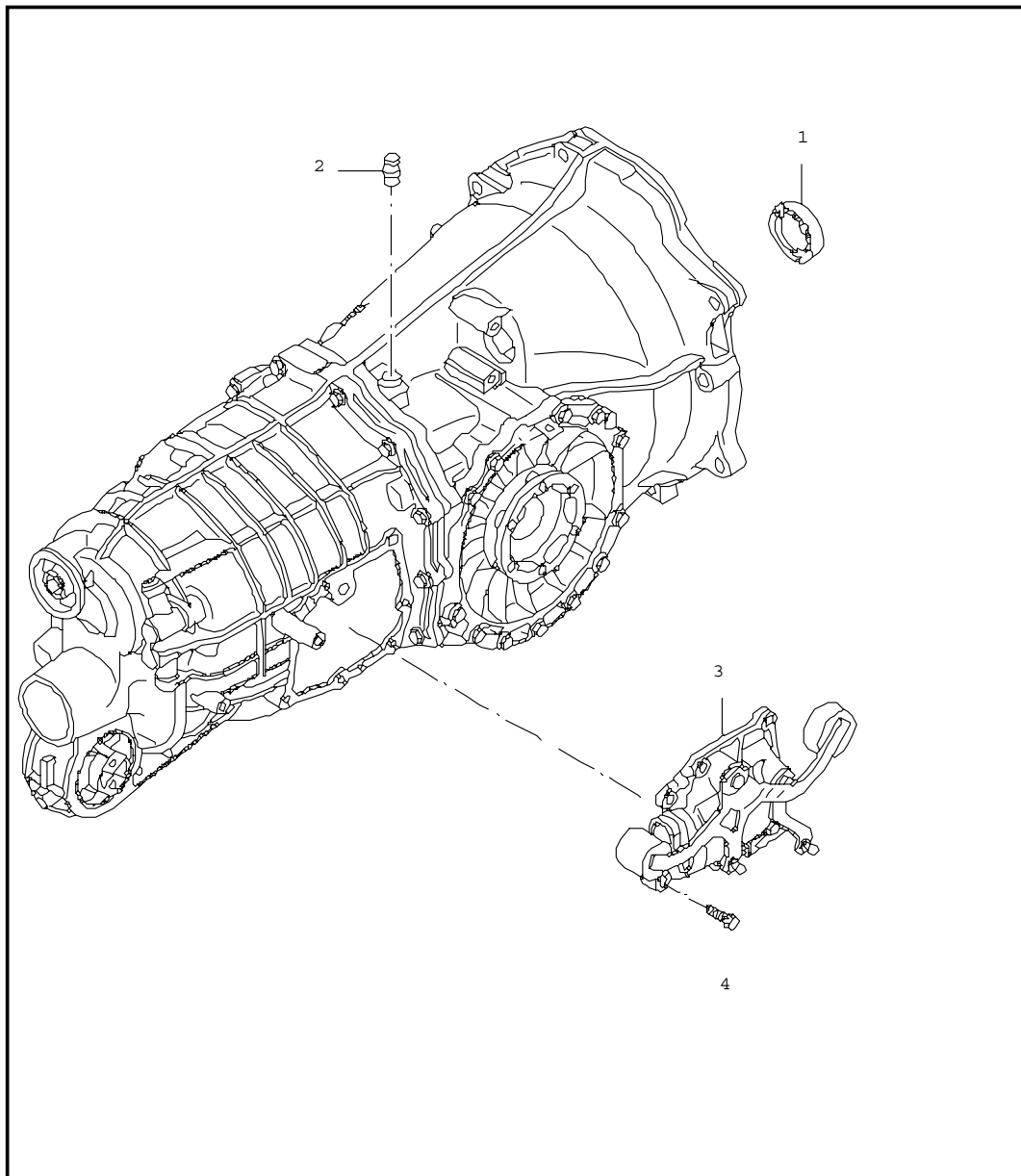
| | | | | | | | | | | | |
|-------|------|----|----|--------------|--------------|--------|------|------------|---------|-----|---------|
| Model | Year | MG | SG | Illustration | Restrictions | Update | | | | | |
| 997 | 07 | 3 | 02 | 302-00 | | 203 | 7:21 | 28.08.2006 | PORSCHE | PET | PORSCHE |

Carrera



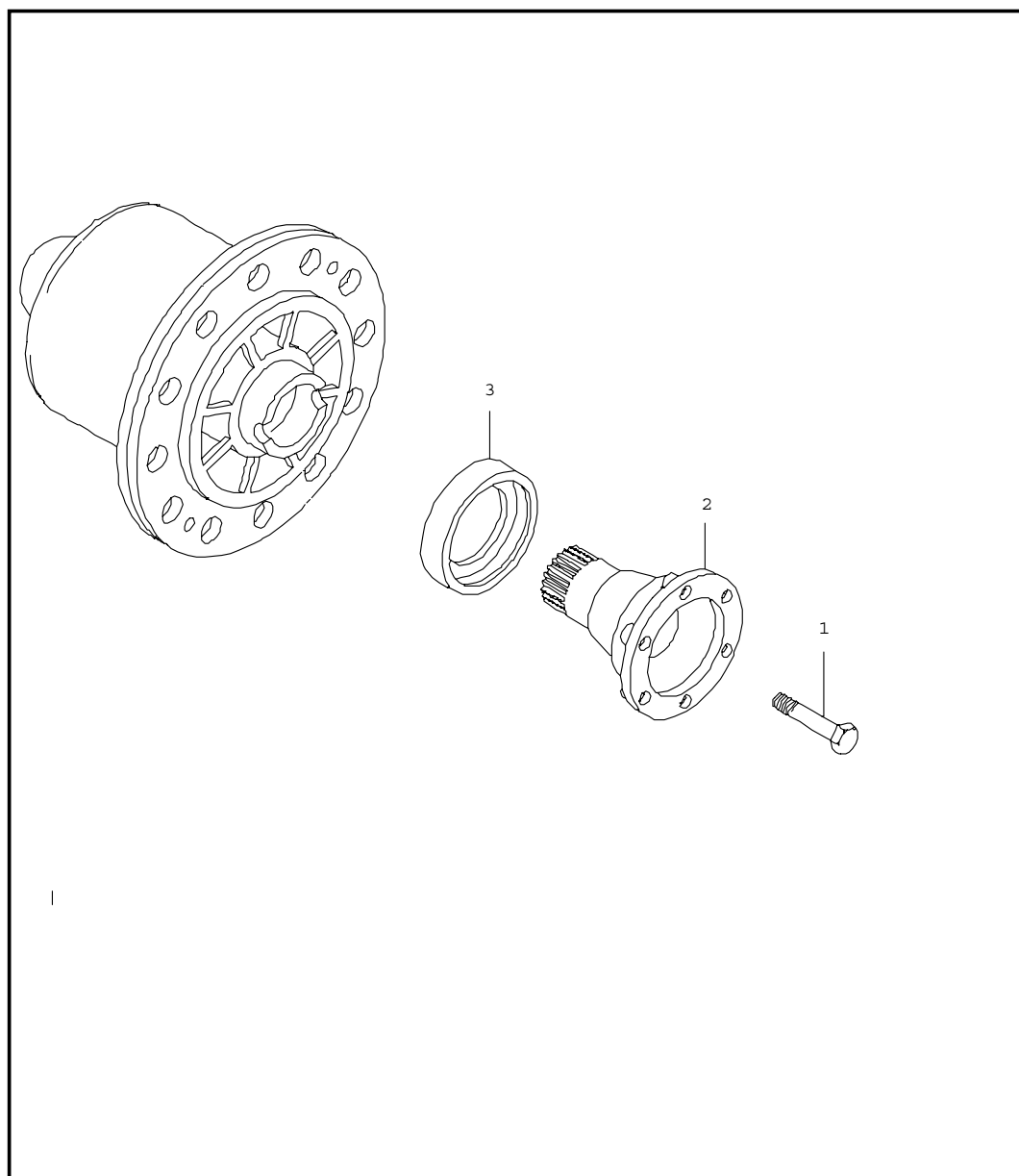
| Pos | Part Number | Name | Remarks | Qty | Model |
|-----|----------------|---|---------|-----|------------------|
| | | manual transmission replacement transmission | 06- | | G97.01 G97.31 |
| 1 | 997 300 010 01 | transmission | | 1 | G97.01 I219 |
| 1 | 997 300 010 31 | transmission | 06- | 1 | G97.31 I219 |
| (1) | 997 300 020 01 | transmission with limited-slip differential | | 1 | G97.01 I220 |
| (1) | 997 300 020 31 | transmission with limited-slip differential | 06- | 1 | G97.31 I220 |
| - | 000 043 204 19 | transmission oil 20 LTR. container | | X | |
| | | - - - E N D - - - | | | |

| | | | | | | | | | | | |
|-------|------|----|----|--------------|--------------|--------|------|------------|---------|-----|---------|
| Model | Year | MG | SG | Illustration | Restrictions | Update | 7:21 | 28.08.2006 | PORSCHE | PET | PORSCHE |
| 997 | 07 | 3 | 02 | 302-05 | | 203 | | | | | |



| Pos | Part Number | Name | Remarks | Qty | Model |
|-----|----------------|------------------------------------|---------|-----|--------|
| | | manual transmission gearshift unit | | | G97.01 |
| 1 | 997 302 807 00 | shaft seal | | 1 | |
| 2 | 997 301 071 00 | bleeder | | 1 | |
| 3 | 997 303 030 00 | gearshift unit | | 1 | |
| 4 | 997 303 808 00 | hexagon-head bolt | | 7 | |
| - | 997 301 808 00 | sealing ring | | 3 | |
| - | 997 301 807 00 | screw plug | | 3 | |
| - | 997 613 180 01 | back-up light switch | | 1 | |
| | | - - - E N D - - - | | | |

| | | | | | | | | | | | |
|-------|------|----|----|--------------|--------------|--------|------|------------|---------|-----|---------|
| Model | Year | MG | SG | Illustration | Restrictions | Update | | | PORSCHE | PET | PORSCHE |
| 997 | 07 | 3 | 05 | 305-00 | | 203 | 7:22 | 28.08.2006 | | | |



| Pos | Part Number | Name | Remarks | Qty | Model |
|-------------------|----------------|--|---------|-----|--------|
| | | manual transmission differential | | | G97.01 |
| - | 997 332 249 00 | snap ring | | 2 | |
| 2 | 997 332 209 00 | joint flange | | 2 | |
| 3 | 997 332 803 00 | shaft seal right for differential housing | | 1 | |
| (3) | 997 332 804 00 | shaft seal left for transmission cover lateral | | 1 | |
| - - - E N D - - - | | | | | |

PORSCHE

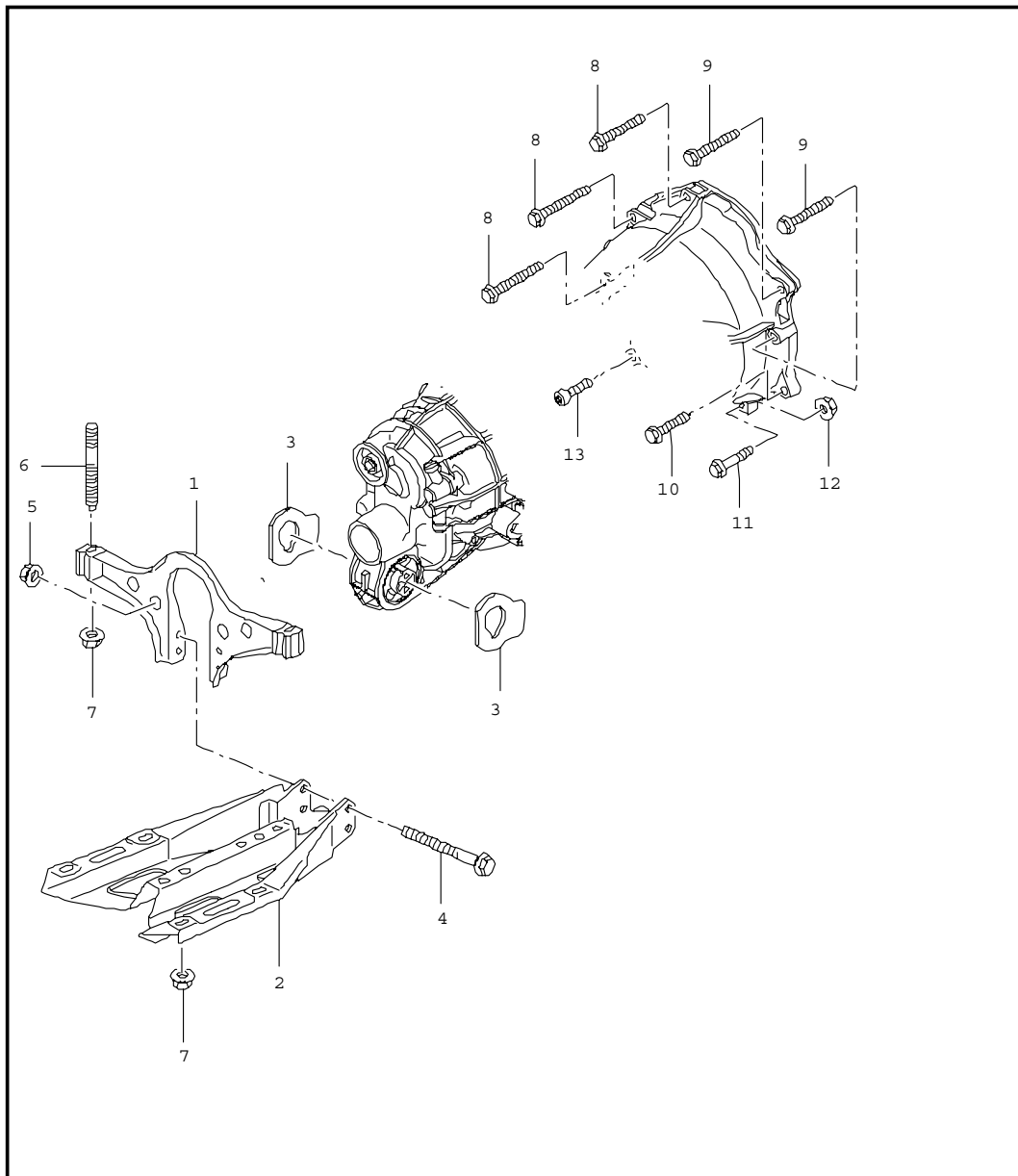
PET

PORSCHE

| | | | | | | | | |
|-------|------|----|----|--------------|--------------|--------|------|------------|
| Model | Year | MG | SG | Illustration | Restrictions | Update | 7:22 | 28.08.2006 |
| 997 | 07 | 3 | 05 | 305-10 | | 203 | | |

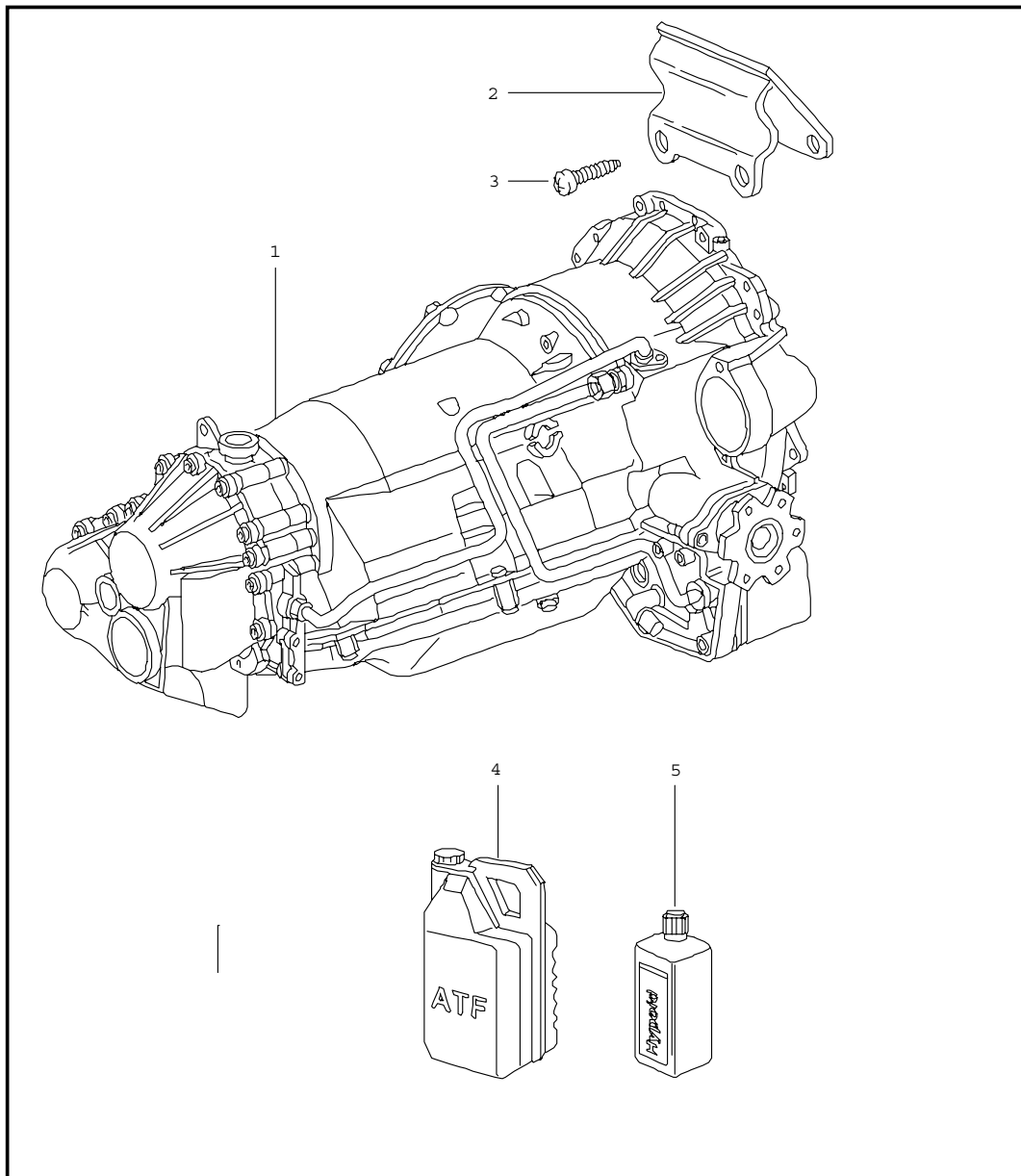
| Pos | Part Number | Name | Remarks | Qty | Model |
|-----|----------------|--|---------|-----|-------|
| | | cardan shaft | | | |
| 1 | 997 349 010 00 | front-axle final drive ready for installation | | 1 | |
| 3 | 996 375 034 01 | transmission carrier front | | 1 | |
| 4 | 997 375 257 00 | stop | | 2 | |
| 6 | 997 375 343 00 | transmission carrier rear | | 1 | |
| | | - - - E N D - - - | | | |

| | | | | | | | | | | | |
|-------|------|----|----|--------------|--------------|--------|------|------------|---------|-----|---------|
| Model | Year | MG | SG | Illustration | Restrictions | Update | 7:22 | 28.08.2006 | PORSCHE | PET | PORSCHE |
| 997 | 07 | 3 | 06 | 306-00 | | 203 | | | | | |



| Pos | Part Number | Name | Remarks | Qty | Model |
|-----|------------------|--|---------|-----|--------|
| | | manual transmission transmission suspension threaded joint engine | | | G97.01 |
| 1 | 997 375 039 00 | transmission carrier | | 1 | |
| 2 | U 997 375 313 00 | transmission carrier | | 1 | |
| 2 | 997 375 113 00 | transmission carrier lengthways | | 1 | |
| 3 | 997 375 255 00 | stop | | 2 | |
| 4 | 900 378 132 09 | hexagon-head bolt M 10 X 115 | | 2 | |
| 5 | 900 380 008 09 | hexagon nut M 10 | | 2 | |
| 6 | U 999 061 106 09 | stud M 10 X 84 | | 2 | |
| 6 | 999 061 115 01 | stud M 10 x 80 | | 2 | |
| 7 | 999 076 053 09 | hexagon nut M 10 | | 6 | |
| 8 | 999 072 010 09 | hexagon-head bolt M 12 X 1,5 X 100 | | 2 | |
| 9 | 999 072 008 09 | hexagon-head bolt M 12 X 1,5 X 70 | | 3 | |
| 10 | 900 378 061 09 | hexagon-head bolt M 12 X 1,5 X 50 | | 1 | |
| 11 | 900 378 076 09 | hexagon-head bolt M 10 X 50 | | 1 | |
| 12 | 900 377 011 09 | hexagon nut M 10 | | 1 | |
| 13 | 999 073 119 09 | pan-head screw M 10 X 50 | | 1 | |
| | | - - - E N D - - - | | | |

| | | | | | | | | | | | |
|-------|------|----|----|--------------|--------------|--------|------|------------|---------|-----|---------|
| Model | Year | MG | SG | Illustration | Restrictions | Update | 7:22 | 28.08.2006 | PORSCHE | PET | PORSCHE |
| 997 | 07 | 3 | 20 | 320-00 | | 203 | | | | | |

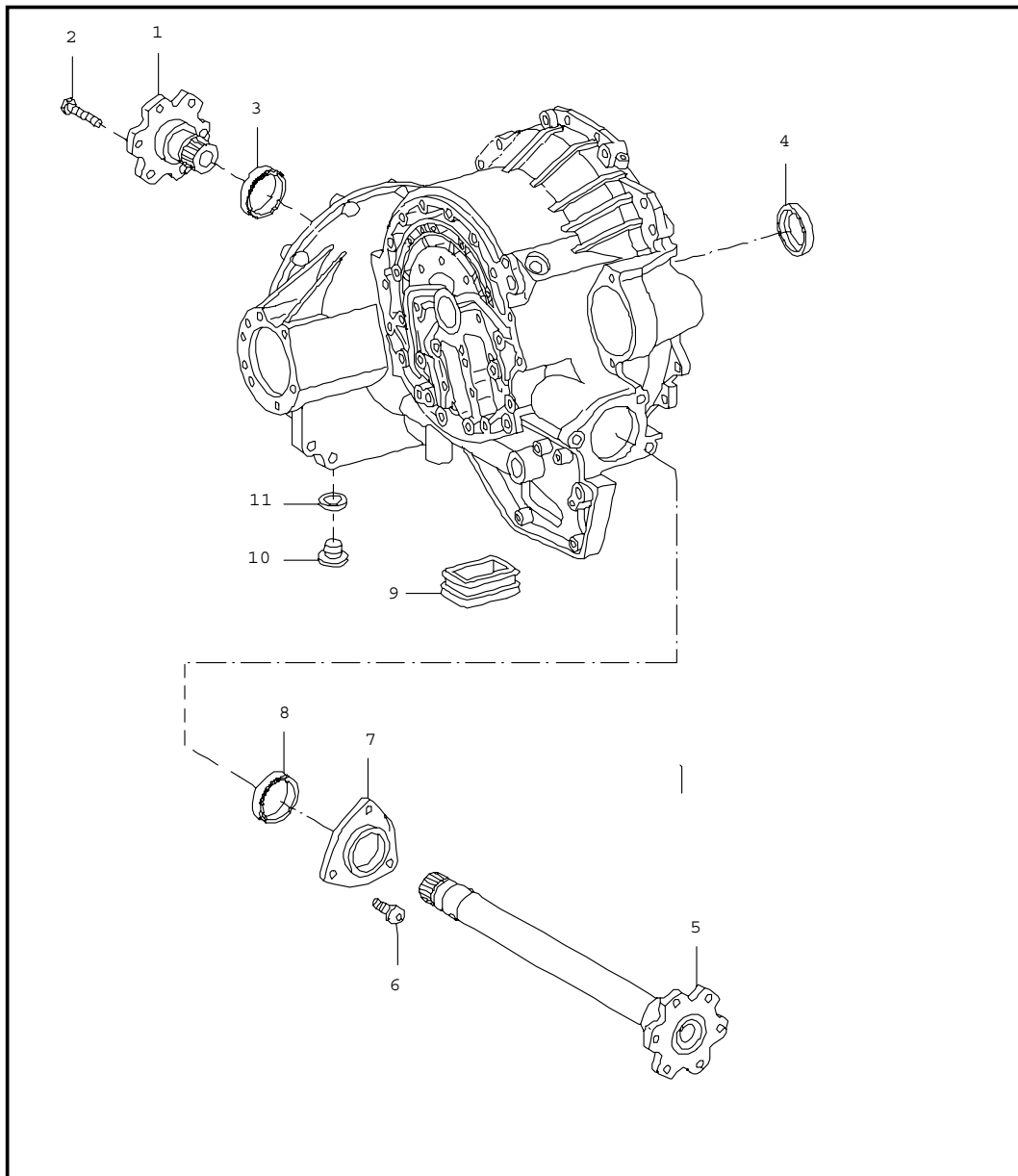


| Pos | Part Number | Name | Remarks | Qty | Model |
|-------------------|-----------------|--|---------|-----|------------------|
| | | tiptronic replacement transmission | 06- | | A97.01 A97.31 |
| 1 | > 722 270 230 0 | transmission | | 1 | A97.01 |
| 1 | 722 270 240 0 | transmission | 06- | 1 | A97.31 |
| 2 | 996 449 101 50 | hook | | 1 | |
| 3 | 999 073 190 09 | oval-head screw M 8 X 60 | | 2 | |
| 4 | 000 043 204 63 | transmission oil ATF 20 LTR. container | | X | |
| (4) | 000 043 304 00 | transmission oil ATF 1 LTR. container | | X | |
| 5 | 999 917 546 00 | transmission oil 75 W 90 1 LTR. container | | X | |
| - - - E N D - - - | | | | | |

| | | | | | | | | |
|-------|------|----|----|--------------|--------------|--------|------|------------|
| Model | Year | MG | SG | Illustration | Restrictions | Update | 7:23 | 28.08.2006 |
| 997 | 07 | 3 | 20 | 320-04 | | 203 | | |

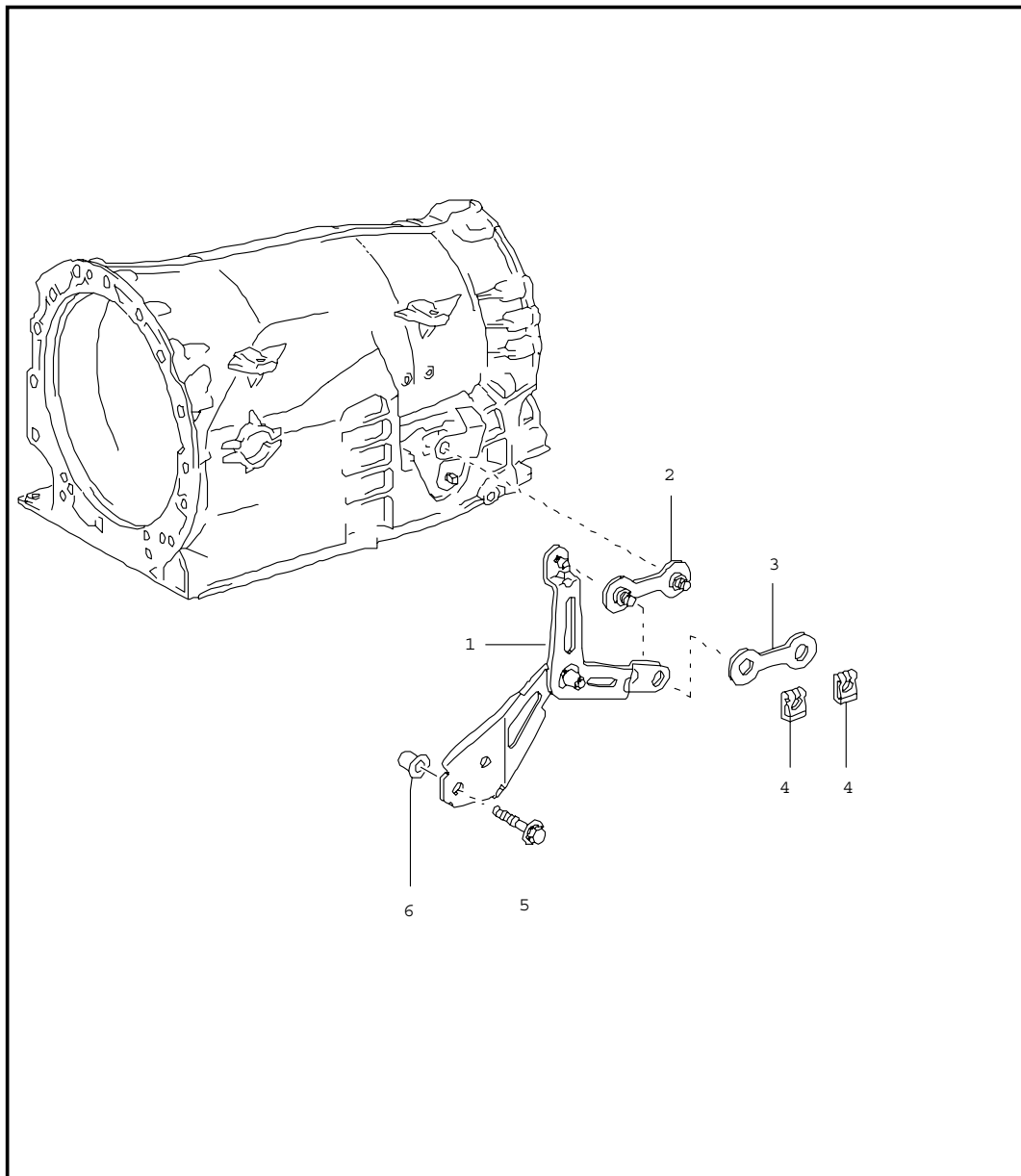
| Pos | Part Number | Name | Remarks | Qty | Model |
|-----|----------------|---|---------|-----|-----------------|
| | | tiptronic all-wheel driving mechanism | 06- | | A97.01 I 339 |
| 1 | 722 260 006 2 | bearing | | 1 | |
| 2 | 999 073 178 09 | oval-head screw M 8 X 30 | | 4 | |
| 3 | 168 997 004 5 | o-ring 28 X 3 | | 1 | |
| 4 | 722 270 022 0 | flange | | 1 | |
| 5 | 140 990 115 0 | collar nut M 26 X 1,5 | | 1 | |
| - | 022 997 944 7 | shaft seal | | 1 | |
| | | - - - E N D - - - | | | |

| | | | | | | | | | | | |
|-------|------|----|----|--------------|--------------|--------|------|------------|---------|-----|---------|
| Model | Year | MG | SG | Illustration | Restrictions | Update | 7:23 | 28.08.2006 | PORSCHE | PET | PORSCHE |
| 997 | 07 | 3 | 20 | 320-05 | | 203 | | | | | |



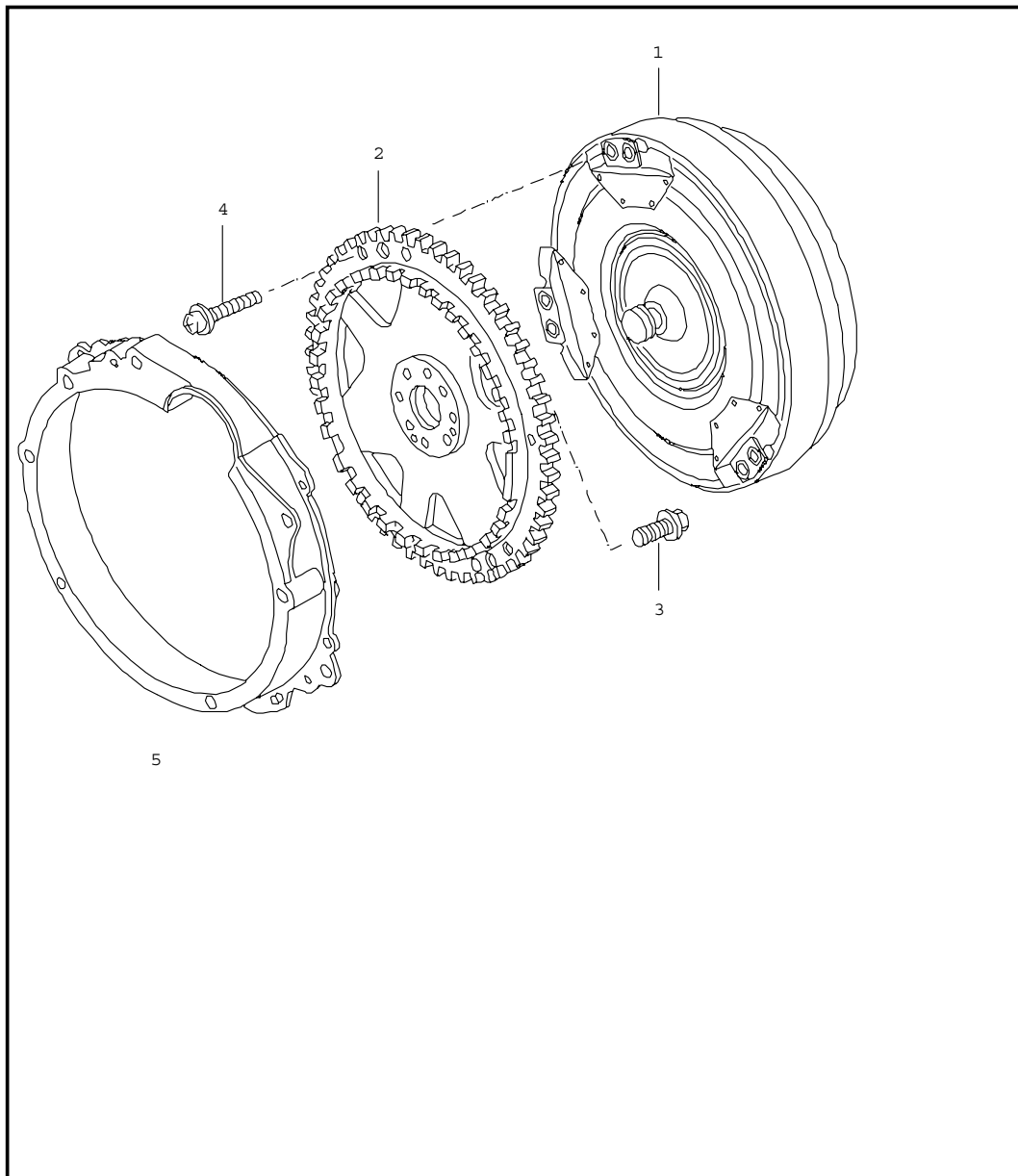
| Pos | Part Number | Name | Remarks | Qty | Model |
|-------------------|----------------|------------------------|---------|-----|--------|
| | | tiptronic differential | | | A97.01 |
| 3 | 022 997 924 7 | shaft seal | | 1 | |
| 4 | 018 997 044 7 | sealing ring oil pump | | 1 | |
| 8 | 022 997 934 7 | shaft seal | | 1 | |
| 9 | 722 271 028 7 | sealing rubber | | 1 | |
| 10 | 210 997 003 2 | screw plug | | 1 | |
| 11 | 900 123 060 30 | sealing ring 24 x 29 | | 1 | |
| - - - E N D - - - | | | | | |

| | | | | | | | | | | | |
|-------|------|----|----|--------------|--------------|--------|------|------------|---------|-----|---------|
| Model | Year | MG | SG | Illustration | Restrictions | Update | 7:23 | 28.08.2006 | PORSCHE | PET | PORSCHE |
| 997 | 07 | 3 | 20 | 320-06 | | 203 | | | | | |



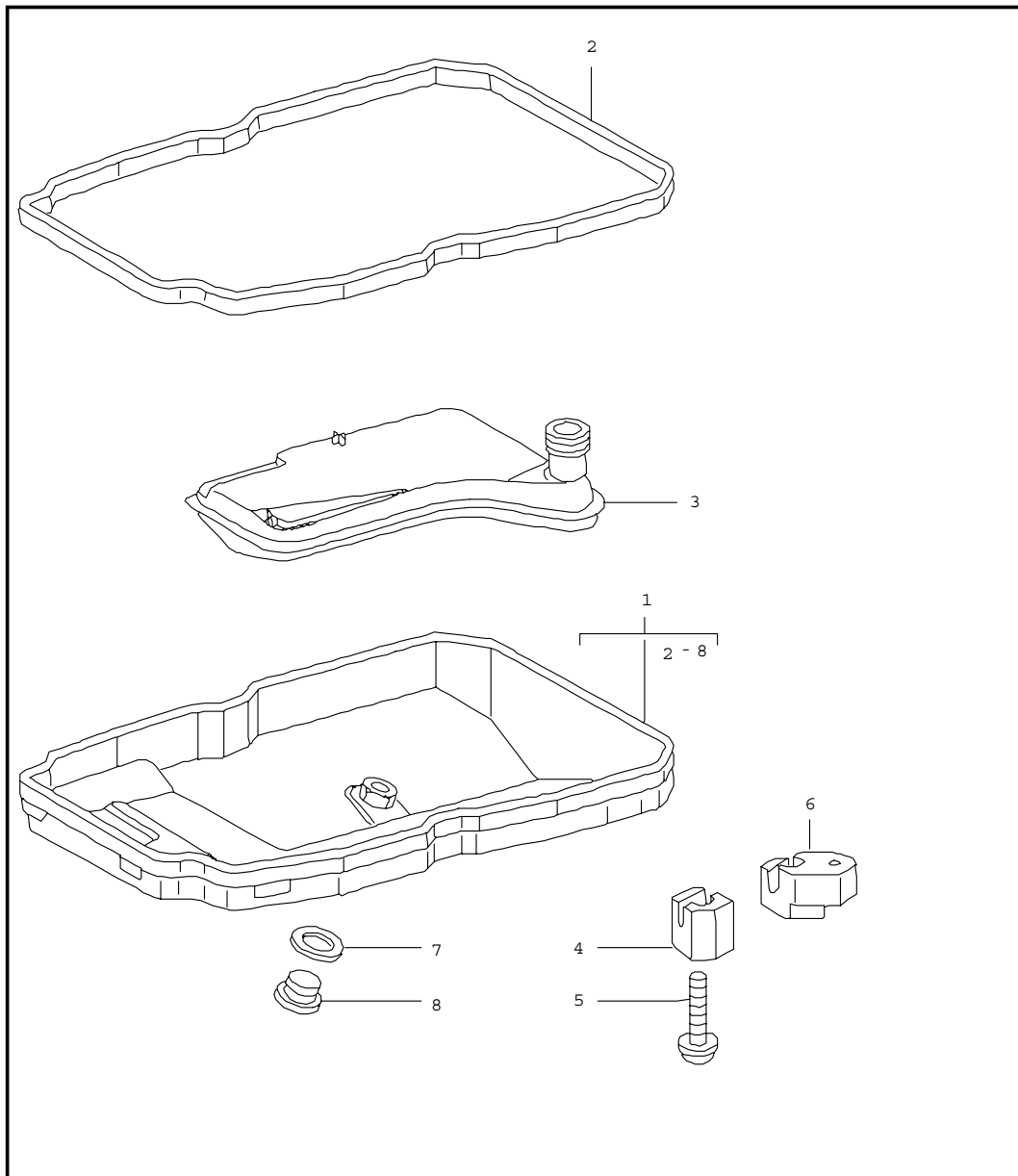
| Pos | Part Number | Name | Remarks | Qty | Model |
|-----|----------------|--------------------------|---------|-----|--------|
| | | tiptronic selector lever | | | A97.01 |
| 1 | 722 270 011 0 | selector lever | | 1 | |
| 2 | 722 270 025 9 | lever | | 2 | |
| 3 | 722 278 032 0 | lever | | 1 | |
| 4 | 999 166 079 02 | lock washer | | 2 | |
| 5 | --- | screw | | 2 | |
| 6 | 722 992 002 0 | sleeve | | 1 | |
| | | - - - E N D - - - | | | |

| | | | | | | | | | | | |
|-------|------|----|----|--------------|--------------|--------|------|------------|---------|-----|---------|
| Model | Year | MG | SG | Illustration | Restrictions | Update | 7:23 | 28.08.2006 | PORSCHE | PET | PORSCHE |
| 997 | 07 | 3 | 30 | 330-00 | | 203 | | | | | |



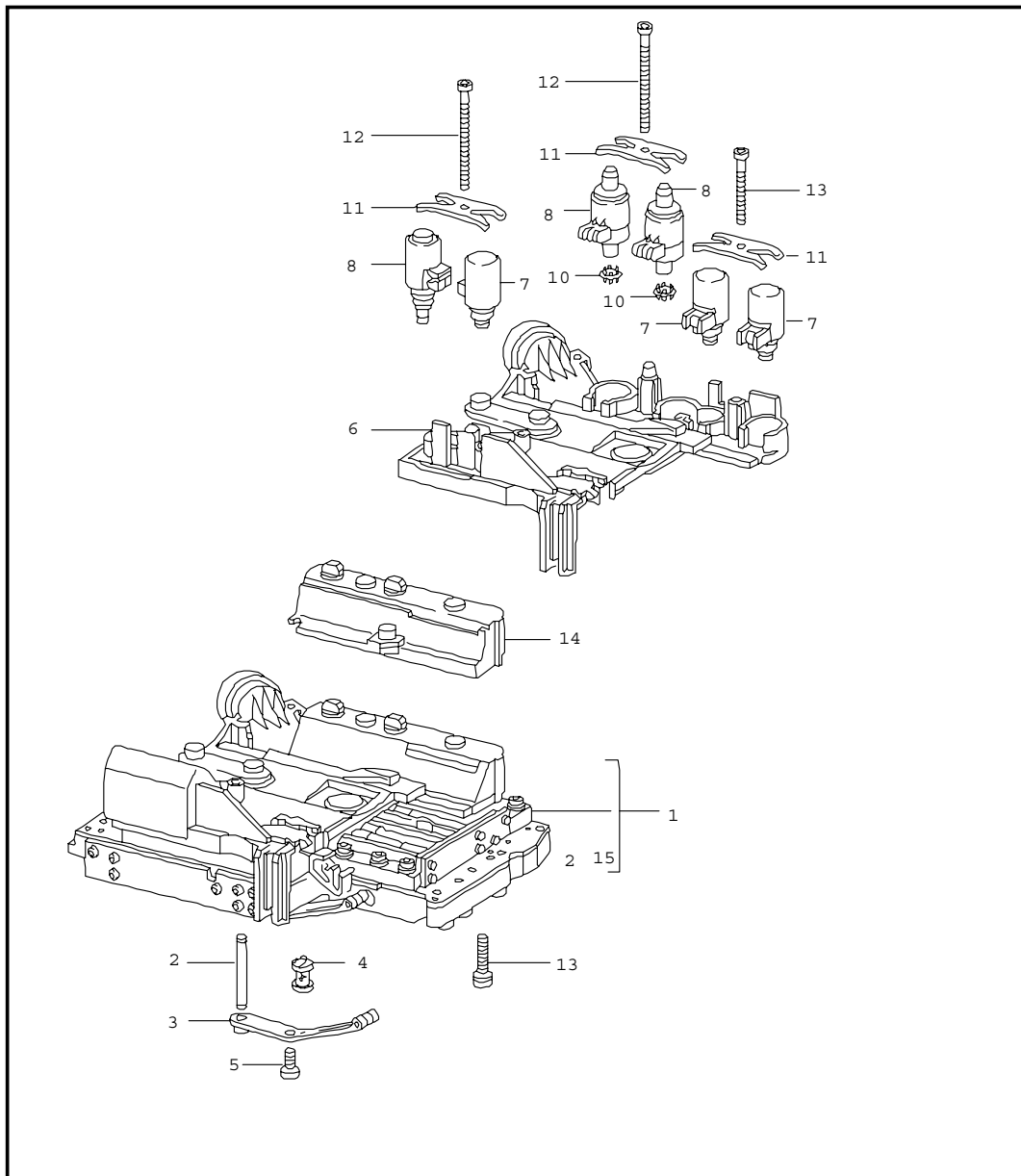
| Pos | Part Number | Name | Remarks | Qty | Model |
|-----|----------------|---|---------|-----|--------|
| | | tiptronic torque converter drive plate | | | A97.01 |
| 1 | 722 250 120 2 | torque converter | | 1 | |
| 2 | 996 116 075 16 | drive plate | | 1 | |
| 3 | 999 073 091 09 | pan-head screw M 10 X 1 X 25 | | 8 | |
| 4 | 900 067 369 09 | pan-head screw M 8 X 20 | | 6 | |
| 5 | 996 116 101 10 | intermediate housing engine and transmission | | 1 | |
| | | - - - E N D - - - | | | |

| | | | | | | | | | | | |
|-------|------|----|----|--------------|--------------|--------|------|------------|---------|-----|---------|
| Model | Year | MG | SG | Illustration | Restrictions | Update | 7:23 | 28.08.2006 | PORSCHE | PET | PORSCHE |
| 997 | 07 | 3 | 40 | 340-00 | | 203 | | | | | |



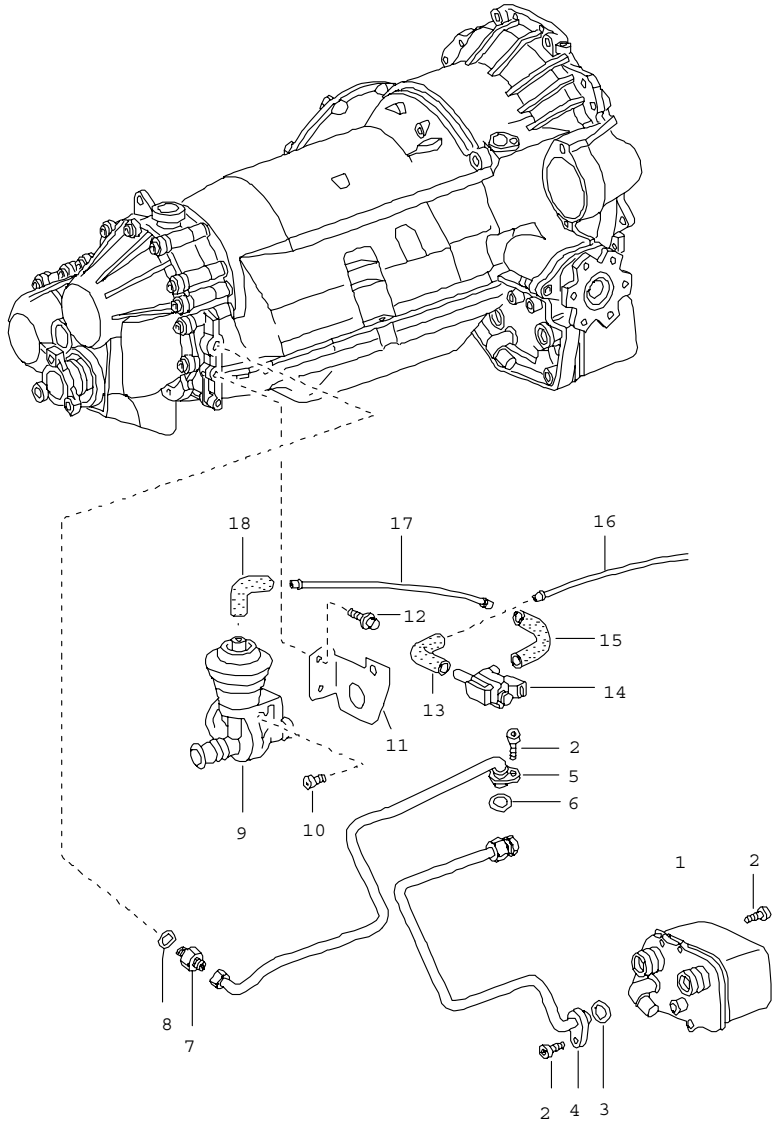
| Pos | Part Number | Name | Remarks | Qty | Model |
|-----|----------------|------------------------------------|---------|-----|--------|
| | | tiptronic oil filter oil pan | | | A97.01 |
| 1 | 722 270 161 2 | oil pan | | 1 | |
| 2 | 140 271 008 0 | gasket | | 1 | |
| 3 | 722 277 009 5 | oil filter | | 1 | |
| 4 | 140 271 006 8 | clamping sleeve | | 6 | |
| 5 | 999 073 202 09 | pan-head screw M 6 X 22 | | 6 | |
| 6 | --- | clamping sleeve | | X | |
| 7 | 900 123 062 20 | sealing ring | | 1 | |
| 8 | 900 219 007 02 | screw plug | | 1 | |
| | | - - - E N D - - - | | | |

| | | | | | | | | | | | |
|-------|------|----|----|--------------|--------------|--------|------|------------|---------|-----|---------|
| Model | Year | MG | SG | Illustration | Restrictions | Update | 7:24 | 28.08.2006 | PORSCHE | PET | PORSCHE |
| 997 | 07 | 3 | 40 | 340-05 | | 203 | | | | | |



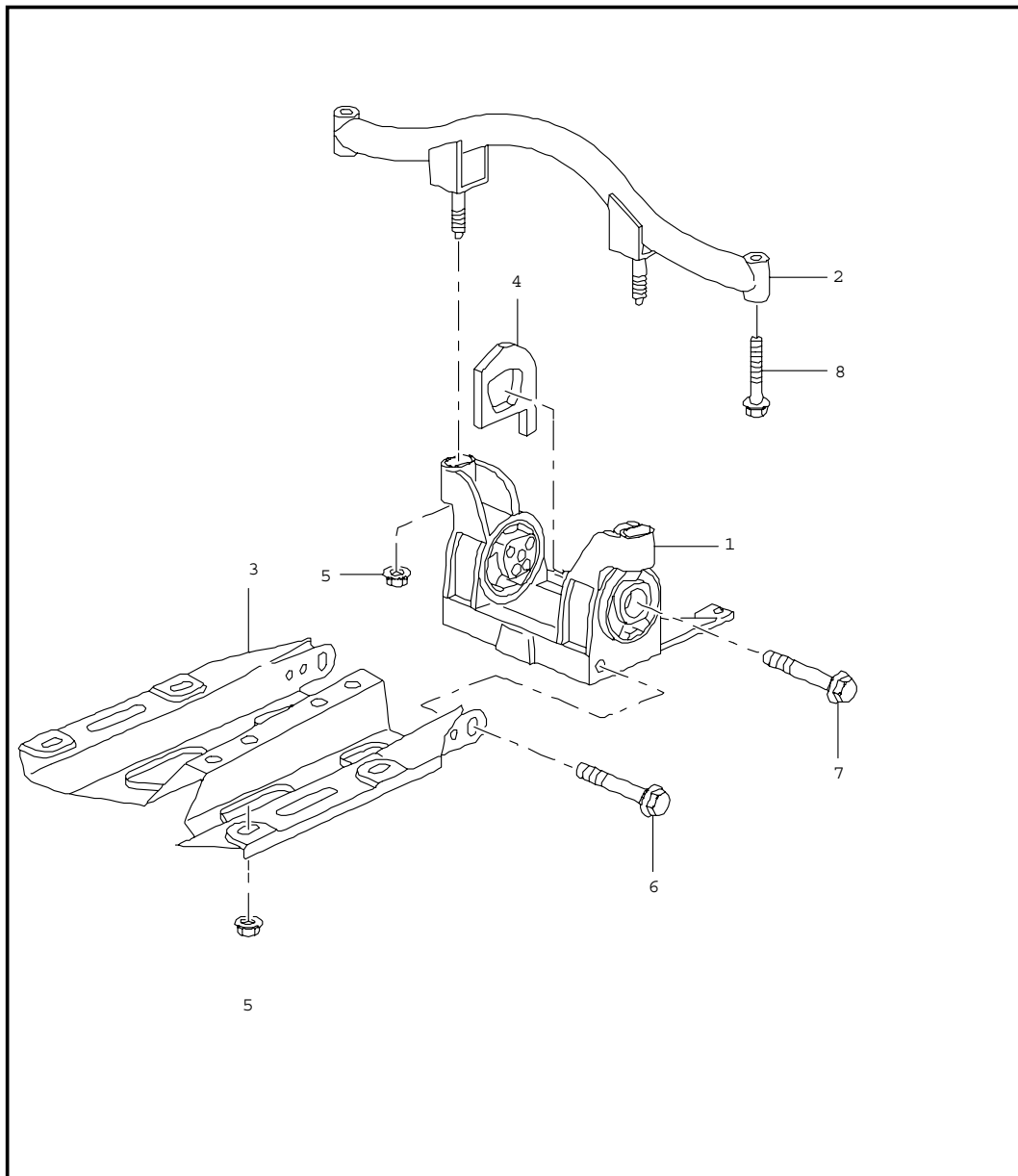
| Pos | Part Number | Name | Remarks | Qty | Model |
|-----|----------------|--|---------|-----|--------|
| | | tiptronic switch unit solenoid valve pressure regulator | | | A97.01 |
| 1 | 722 270 020 6 | switch unit | | 1 | |
| 2 | 140 277 007 5 | pin | | 1 | |
| 3 | 140 270 017 8 | spring | | 1 | |
| 4 | 140 270 029 8 | filter | | 1 | |
| 5 | 170 990 012 0 | screw | | 1 | |
| 6 | 140 270 056 1 | cover plate | | 1 | |
| 7 | 140 277 053 5 | valve | | 3 | |
| 8 | 140 277 039 8 | solenoid valve | | 2 | |
| 9 | 140 277 043 5 | solenoid valve | | 1 | |
| 10 | 140 270 049 8 | filter | | 2 | |
| 11 | 140 276 000 3 | spring plate | | 3 | |
| 12 | 140 277 107 1 | screw | | 2 | |
| 13 | 140 277 117 10 | screw | | 1 | |
| 14 | 140 271 078 2 | cover | | 1 | |
| 15 | 140 277 067 1 | screw | | 10 | |
| | | - - - E N D - - - | | | |

| | | | | | | | | | | | |
|-------|------|----|----|--------------|--------------|--------|------|------------|---------|-----|---------|
| Model | Year | MG | SG | Illustration | Restrictions | Update | 7:24 | 28.08.2006 | PORSCHE | PET | PORSCHE |
| 997 | 07 | 3 | 60 | 360-00 | | 203 | | | | | |



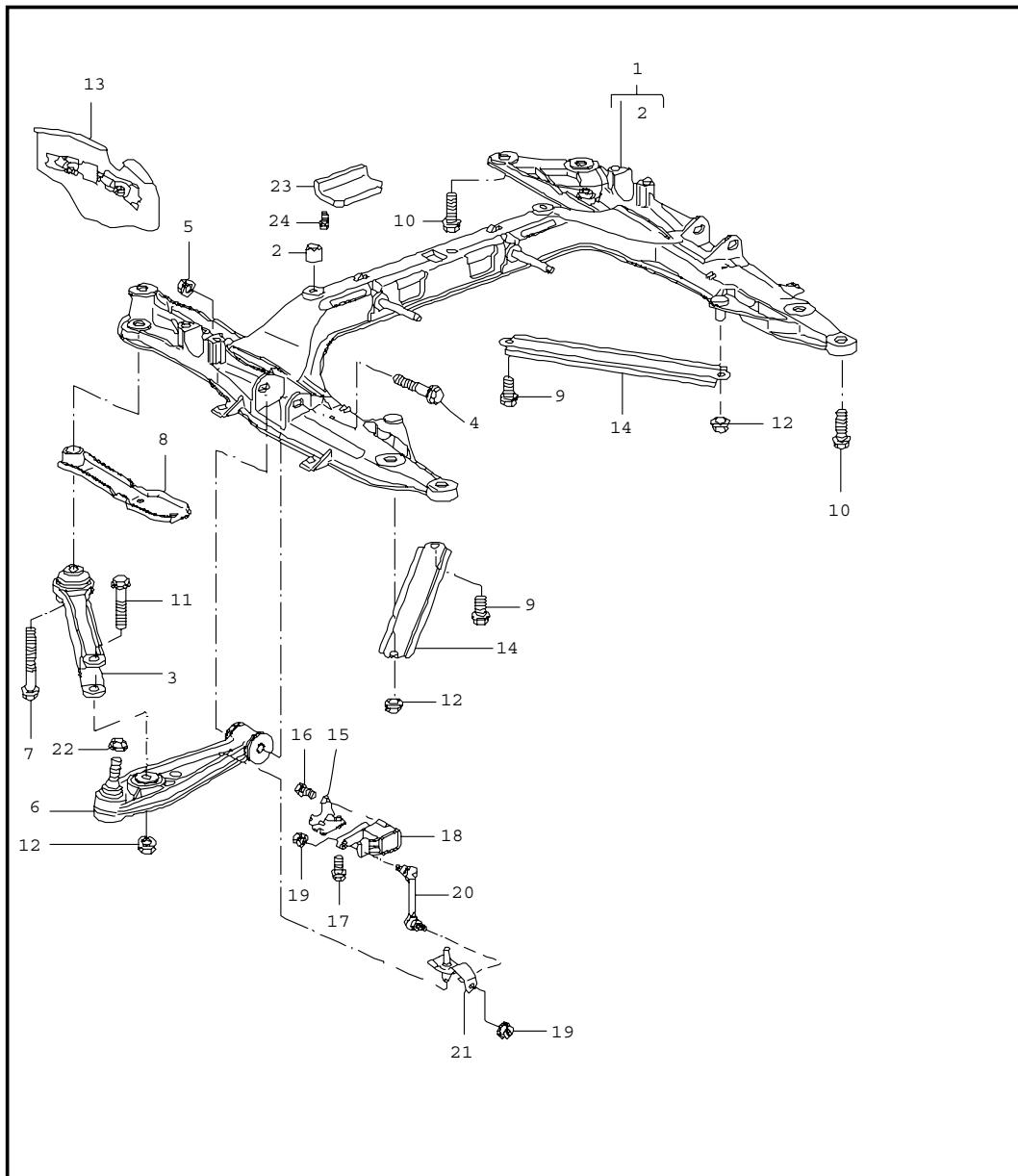
| Pos | Part Number | Name | Remarks | Qty | Model |
|-------------------|----------------|--------------------------------------|---------|-----|--------|
| | | tiptronic atf cooler atf lines | | | A97.01 |
| 1 | 722 270 009 5 | atf cooler | | 1 | |
| 2 | 999 073 103 09 | oval-head screw M 6 X 16 | | 6 | |
| 3 | 026 997 234 8 | sealing ring | | 1 | |
| 4 | 722 270 089 6 | oil pipe 18,6 X 3,5 | | 2 | |
| 5 | 722 270 079 6 | oil pipe | | 1 | |
| 6 | 026 997 234 8 | sealing ring | | 1 | |
| - | 996 307 711 10 | water hose supply | | 1 | |
| - - - E N D - - - | | | | | |

| | | | | | | | | | | | |
|-------|------|----|----|--------------|--------------|--------|------|------------|---------|-----|---------|
| Model | Year | MG | SG | Illustration | Restrictions | Update | 7:24 | 28.08.2006 | PORSCHE | PET | PORSCHE |
| 997 | 07 | 3 | 70 | 370-00 | | 203 | | | | | |



| Pos | Part Number | Name | Remarks | Qty | Model |
|-----|----------------|---|---------|-----|--------|
| | | tiptronic transmission suspension and mount intermediate flange | | | A97.01 |
| 1 | 997 375 033 02 | transmission carrier | | 1 | |
| 2 | 996 375 317 06 | bracket upper | | 1 | |
| 3 | 997 375 315 02 | side member | | 1 | |
| 4 | 997 375 259 01 | stop | | 2 | |
| 5 | 999 076 053 09 | hexagon nut M 10 | | 6 | |
| 6 | 900 378 200 09 | hexagon-head bolt M 10 X 55 | | 2 | |
| 7 | 900 378 208 09 | hexagon-head bolt M 12 X 1,5 X 75 | | 2 | |
| 8 | 900 378 098 09 | hexagon-head bolt M 10 X 60 | | 2 | |
| | | - - - E N D - - - | | | |

| | | | | | | | | | | | |
|-------|------|----|----|--------------|--------------|--------|------|------------|---------|-----|---------|
| Model | Year | MG | SG | Illustration | Restrictions | Update | 7:24 | 28.08.2006 | PORSCHE | PET | PORSCHE |
| 997 | 07 | 4 | 01 | 401-00 | | 203 | | | | | |

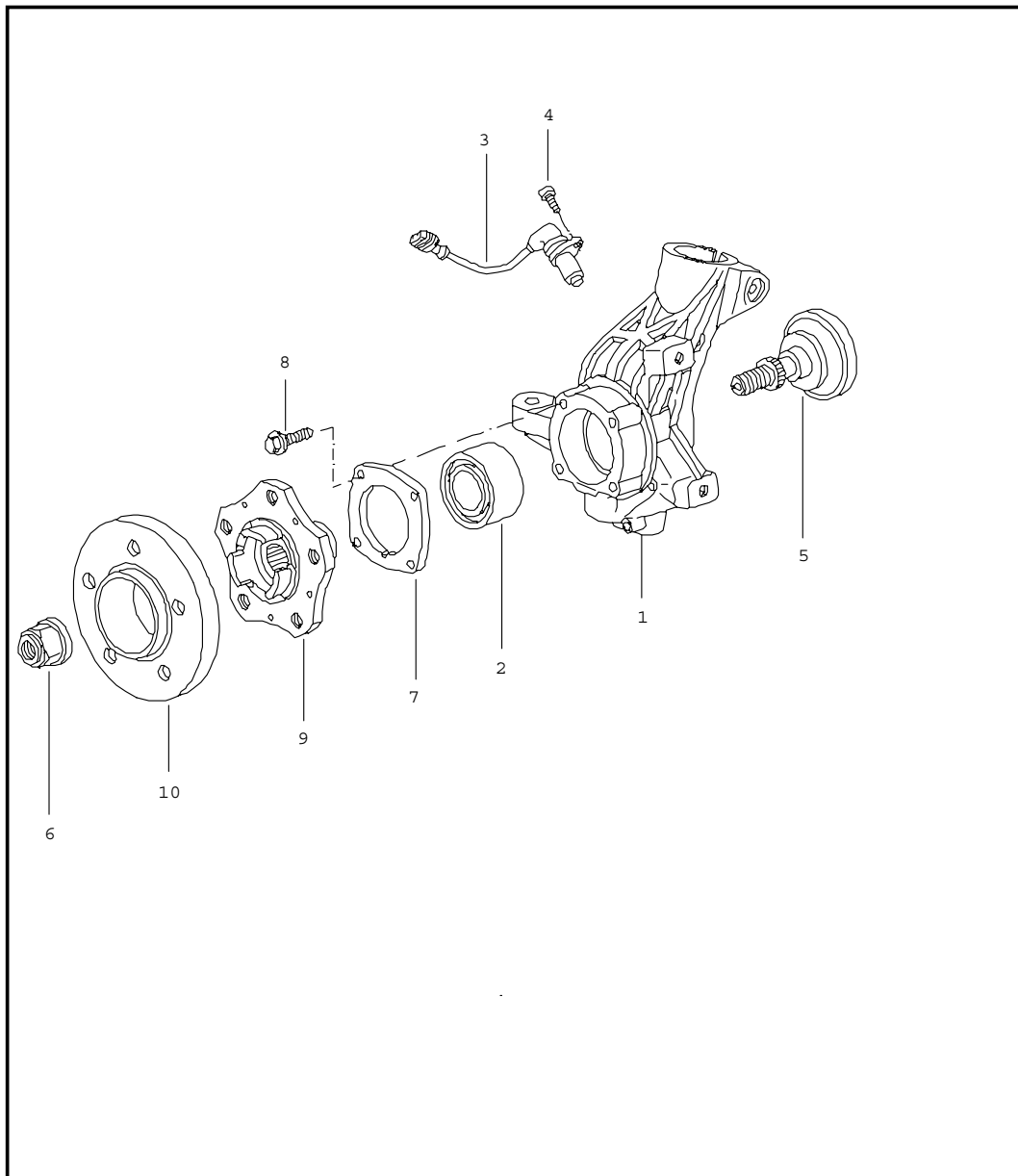


| Pos | Part Number | Name | Remarks | Qty | Model |
|------|----------------|--|------------|-----|--------------------------|
| 1 | 997 341 081 04 | cross member control arm | | 1 | CARRERA 2 CARRERA 2-S |
| (1) | 997 341 081 11 | cross member | 06- 06- | 1 | CARRERA 4 CARRERA 4-S |
| 2 | 900 197 070 00 | roll pin 13 X 14 | | 1 | |
| 3 | 997 341 043 00 | control arm | | 2 | |
| 4 | 900 378 165 09 | hexagon-head bolt M 12 X 1,5 X 95 | | 2 | |
| 5 | 999 084 445 09 | lock nut M 12 X 1,5 | | 2 | |
| 6 | 997 341 053 00 | control arm | 05 | 2 | |
| (6) | 997 341 053 03 | control arm | 06- | 2 | |
| 7 | 900 378 241 09 | hexagon-head bolt M 14 X 1,5 X 120 | | 2 | CARRERA 2 CARRERA 2-S |
| (7) | 999 072 050 09 | hexagon-head bolt M 14 X 1,5 X 120 | | 2 | CARRERA 4 CARRERA 4-S |
| 8 | 997 341 145 01 | plate | | 2 | CARRERA 2 CARRERA 2-S |
| (8) | 997 341 145 05 | plate | | 2 | CARRERA 4 CARRERA 4-S |
| 9 | 999 072 047 09 | hexagon-head bolt M 12 X 1,5 X 30 | | 4 | |
| 10 | 900 378 192 09 | hexagon-head bolt M 14 X 1,5 X 50 | | 2 | |
| 11 | 900 378 279 09 | hexagon-head bolt M 14 X 1,5 X 95 | | 2 | |
| 12 | 999 084 445 09 | lock nut M 12 X 1,5 | | 2 | |
| 13 | 996 341 483 05 | spoiler | /L | 1 | |
| (13) | 996 341 484 05 | spoiler | /R | 1 | |
| 14 | 997 504 433 00 | strut | | 2 | |
| 15 | | support see illustrations 1/05/10 Pos.10 | | 1 | I601 |

| | | | | | | | | | | | |
|-------|------|----|----|--------------|--------------|--------|------|------------|---------|-----|---------|
| Model | Year | MG | SG | Illustration | Restrictions | Update | 7:24 | 28.08.2006 | PORSCHE | PET | PORSCHE |
| 997 | 07 | 4 | 01 | 401-00 | | 203 | | | | | |

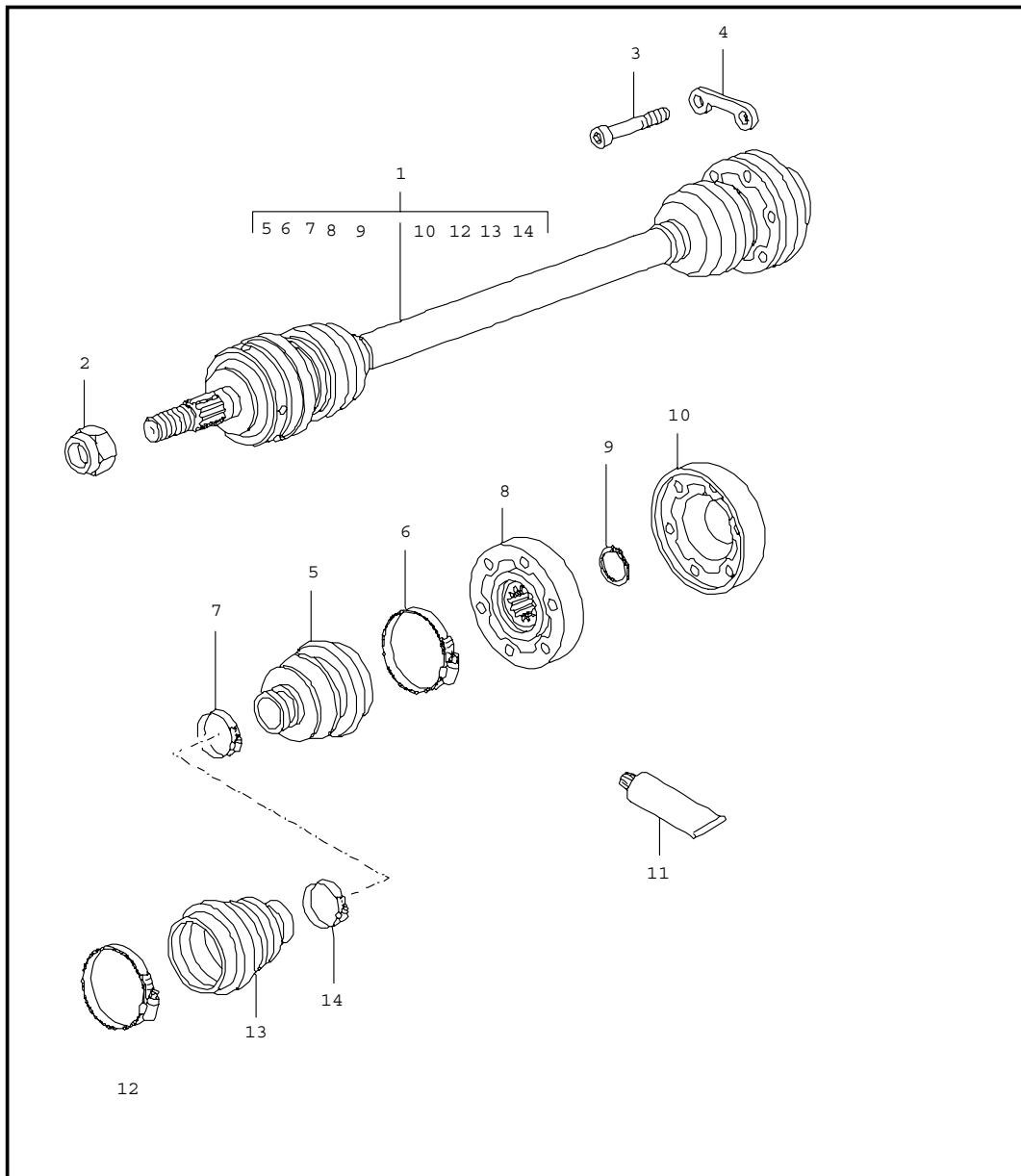
| Pos | Part Number | Name | Remarks | Qty | Model | Pos | Part Number | Name | Remarks | Qty | Model |
|-----|----------------|--------------------------------------|---------|-----|--------------------------|-----|-------------|------|---------|-----|-------|
| 16 | 900 146 003 02 | oval-head screw M 5 X 10 | | 2 | I601 | | | | | | |
| 17 | 900 378 036 09 | hexagon-head bolt M 6 X 12 | | 1 | | | | | | | |
| 18 | 997 631 121 00 | sensor | | 1 | I601 | | | | | | |
| 19 | 900 380 015 09 | hexagon nut VM 6 | | 2 | | | | | | | |
| 20 | 997 341 375 01 | strut | | 1 | I601 | | | | | | |
| 21 | 996 341 371 03 | support | | 1 | I601 | | | | | | |
| 22 | 999 084 449 09 | hexagon nut M 12 X 1,5 | | 2 | | | | | | | |
| 23 | 997 341 431 02 | stop | | 1 | CARRERA 4 CARRERA 4-S | | | | | | |
| 24 | 999 072 047 09 | hexagon-head bolt M 12 X 1,5 X 30 | | 4 | CARRERA 4 CARRERA 4-S | | | | | | |
| | | - - - E N D - - - | | | | | | | | | |

| | | | | | | | | | | | |
|-------|------|----|----|--------------|--------------|--------|------|------------|---------|-----|---------|
| Model | Year | MG | SG | Illustration | Restrictions | Update | 7:25 | 28.08.2006 | PORSCHE | PET | PORSCHE |
| 997 | 07 | 4 | 01 | 401-05 | | 203 | | | | | |



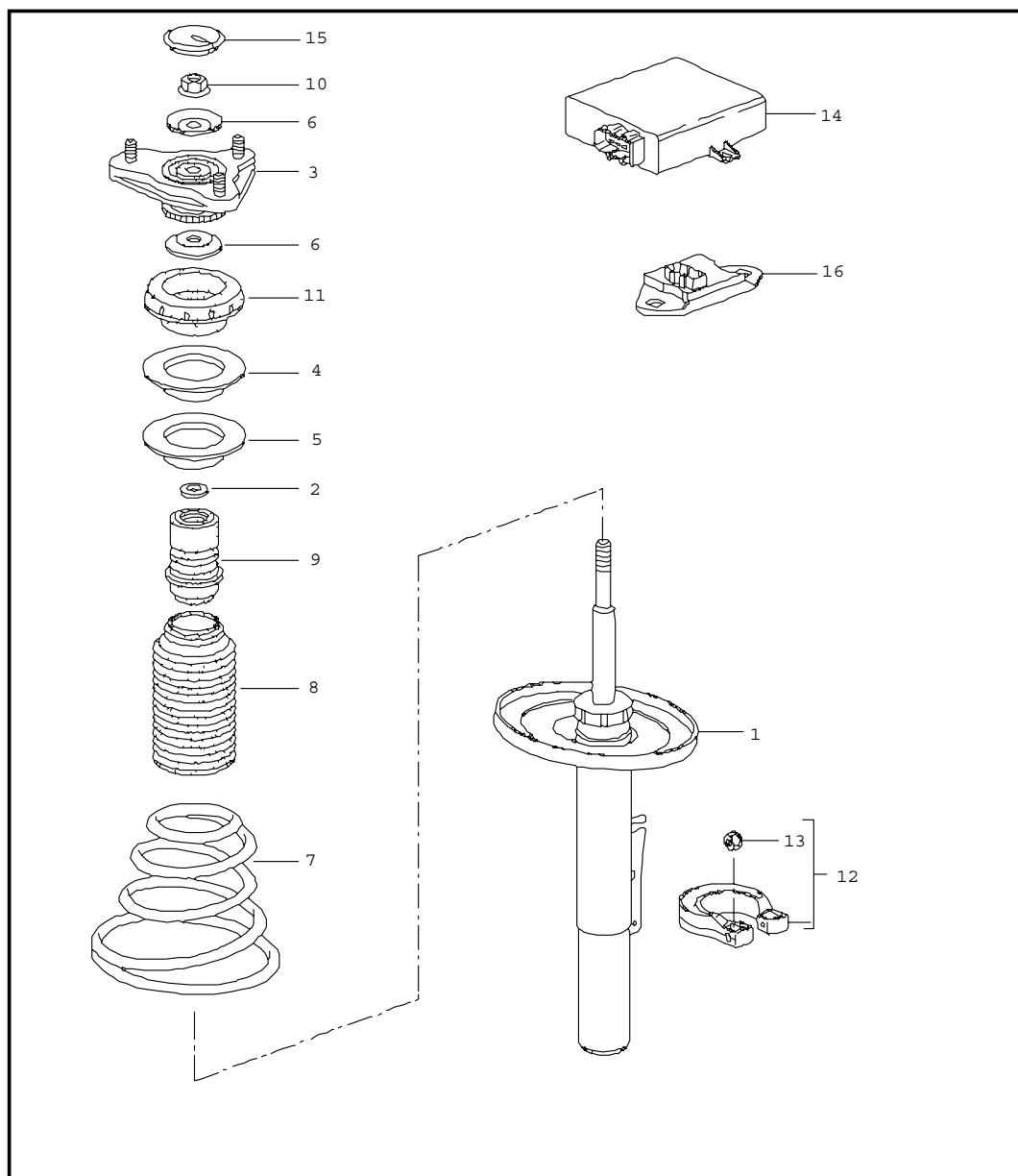
| Pos | Part Number | Name | Remarks | Qty | Model |
|-----|----------------|-------------------------------|---------|-----|-------------------|
| | | wheel carrier wheel hub | | | |
| 1 | 997 341 157 05 | wheel carrier | /L | 1 | CARRERA 2 |
| (1) | 997 341 157 25 | wheel carrier | /L | 1 | CARRERA 2-S |
| (1) | 997 341 157 25 | wheel carrier | /L | 1 | CARRERA 2 I450 |
| (1) | 997 341 165 03 | wheel carrier | /L | 1 | CARRERA 4 |
| (1) | 997 341 165 23 | wheel carrier | /L | 1 | CARRERA 4 I450 |
| (1) | 997 341 165 23 | wheel carrier | /L | 1 | CARRERA 4-S |
| (1) | 997 341 158 05 | wheel carrier | /R | 1 | CARRERA 2 |
| (1) | 997 341 158 25 | wheel carrier | /R | 1 | CARRERA 2-S |
| (1) | 997 341 158 25 | wheel carrier | /R | 1 | CARRERA 2 I450 |
| (1) | 997 341 166 03 | wheel carrier | /R | 1 | CARRERA 4 |
| (1) | 997 341 166 23 | wheel carrier | /R | 1 | CARRERA 4 I450 |
| (1) | 997 341 166 23 | wheel carrier | /R | 1 | CARRERA 4-S |
| 2 | 999 053 054 05 | angular-contact bearing | | 2 | |
| 3 | 997 606 407 01 | speed sensor | | 2 | |
| 4 | 900 067 117 09 | pan-head screw M 6 X 16 | | 2 | |
| 5 | 997 341 131 00 | tension bolt | | 2 | |
| 6 | 999 084 641 02 | lock nut M 22 X 1,5 | | 2 | |
| 7 | 986 331 661 20 | cover | | 2 | |
| 8 | 999 217 042 09 | hexagon-head bolt M 8 X 35 | | 8 | |
| 9 | 997 341 605 01 | wheel hub | | 2 | |
| | | - - - E N D - - - | | | |

| | | | | | | | | | | | |
|-------|------|----|----|--------------|--------------|--------|------|------------|---------|-----|---------|
| Model | Year | MG | SG | Illustration | Restrictions | Update | 7:25 | 28.08.2006 | PORSCHE | PET | PORSCHE |
| 997 | 07 | 4 | 01 | 401-10 | | 203 | | | | | |



| Pos | Part Number | Name | Remarks | Qty | Model |
|-------------------|----------------|---|---------|-----|--------------------------|
| | | drive shaft | | | CARRERA 4 CARRERA 4-S |
| 1 | 997 349 038 00 | drive shaft | 05 | 2 | |
| (1) | 997 349 038 01 | drive shaft | 06- | 2 | |
| (2) | 999 084 641 02 | lock nut M 22 X 1,5 | | 2 | |
| 3 | 900 067 073 09 | pan-head screw M 8 X 45 | | 12 | |
| (4) | 996 349 191 01 | plate | | 6 | |
| 5 | 996 349 293 00 | dust bellows | | 2 | |
| - N | 996 349 959 00 | support for dust bellows | | 2 | |
| 6 | 996 349 257 02 | clip | | 2 | |
| 7 | 996 349 257 03 | clip | | 2 | |
| 8 | 996 349 030 00 | joint | | 2 | |
| 9 | 900 041 011 01 | circlip | | 2 | |
| 10 | 996 349 267 00 | cover | | 2 | |
| 11 | 000 043 110 01 | grease 1 tube 100 g | | X | |
| (11) | 000 043 205 36 | sealing compound drive shaft 1 tube 100 g | | X | |
| 12 | 996 349 257 00 | clip | | 2 | |
| 13 | 996 349 291 00 | dust bellows | | 2 | |
| 14 | 996 349 257 01 | clip | | 2 | |
| - - - E N D - - - | | | | | |

| | | | | | | | | | | | |
|-------|------|----|----|--------------|--------------|--------|------|------------|---------|-----|---------|
| Model | Year | MG | SG | Illustration | Restrictions | Update | 7:25 | 28.08.2006 | PORSCHE | PET | PORSCHE |
| 997 | 07 | 4 | 02 | 402-00 | | 203 | | | | | |

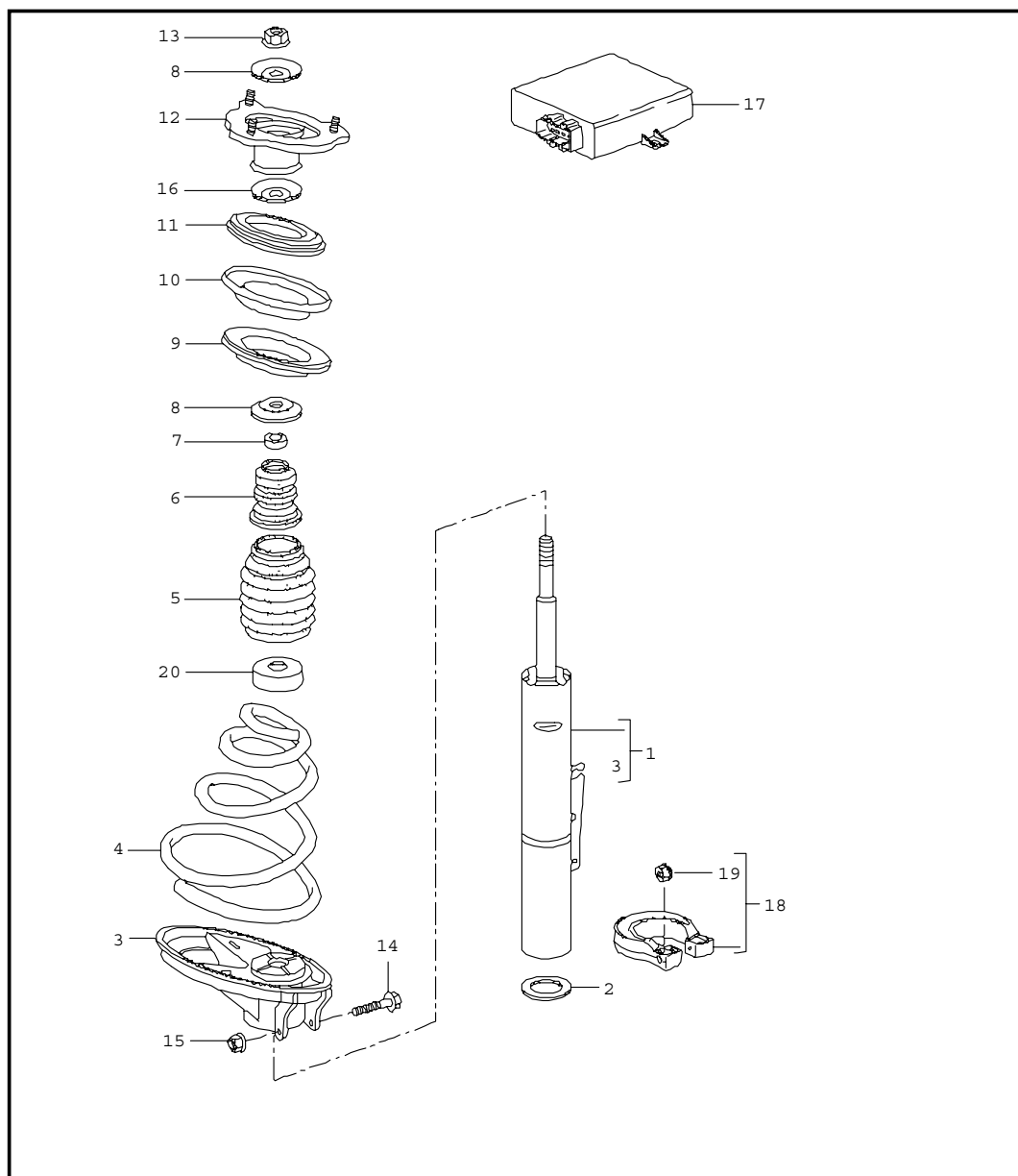


| Pos | Part Number | Name | Remarks | Qty | Model |
|-----|------------------|----------------------------------|---------|-----|--|
| | | springs shock absorber strut | | | CARRERA 2 CARRERA 2-S |
| 1 | A 997 343 041 09 | vibration damper | | 2 | I029 |
| (1) | 997 343 041 11 | vibration damper | | 2 | I029 |
| (1) | 997 343 041 10 | vibration damper | | 2 | I030/480 |
| (1) | A 997 343 045 13 | vibration damper | | 2 | I475 |
| (1) | 997 343 045 14 | vibration damper | | 2 | I475 |
| | | mount shock absorber | | | |
| 2 | 996 343 513 00 | washer | | 2 | |
| 3 | 997 343 018 00 | supporting mount | | 2 | |
| - | 999 084 447 09 | hexagon nut M 8 | | 6 | |
| 4 | 996 343 517 01 | support ring | | 2 | |
| 5 | 996 343 511 00 | compensating plate 3,0 MM | | X | |
| (5) | 996 343 511 01 | compensating plate 6,5 MM | | X | |
| 6 | 997 343 107 01 | stop plate | | 2 | |
| (6) | 997 343 107 00 | stop plate upper | | 1 | I475 |
| 6 | 997 343 107 01 | stop plate lower | | 1 | I475 COUPE |
| (6) | 997 343 272 00 | washer | | 2 | I030/480 |
| 7 | 997 343 531 22 | coil spring | | 1 | I029/CABRIO I249/COUPE CARRERA 2 |
| | | 1 set | | | |
| | | 504 marked violet white | | | |
| (7) | 997 343 531 23 | coil spring | | 1 | I029/480 COUPE |
| | | 1 set | | | |
| | | 504 marked violet red | | | CARRERA 2 |

| | | | | | | | | | | | |
|-------|------|----|----|--------------|--------------|--------|------|------------|---------|-----|---------|
| Model | Year | MG | SG | Illustration | Restrictions | Update | 7:25 | 28.08.2006 | PORSCHE | PET | PORSCHE |
| 997 | 07 | 4 | 02 | 402-00 | | 203 | | | | | |

| Pos | Part Number | Name | Remarks | Qty | Model | Pos | Part Number | Name | Remarks | Qty | Model |
|------|----------------|--|---------|-----|--------------------------|-----|-------------|------|---------|-----|-------|
| (7) | 997 343 531 24 | coil spring 1 set | | 1 | I030/480 COUPE | | | | | | |
| | 504 | marked silver silver | | | CARRERA 2 CARRERA 2-S | | | | | | |
| 7 | 997 343 531 31 | coil spring 1 set | | 1 | I475/COUPE CARRERA 2 | | | | | | |
| | 504 | marked red green | | | CARRERA 2-S | | | | | | |
| (7) | 997 343 531 35 | coil spring 1 set | | 1 | I475/CABRIO CARRERA 2 | | | | | | |
| | 504 | marked red yellow | | | CARRERA 2-S | | | | | | |
| 8 | 996 343 505 00 | bellows | | 2 | | | | | | | |
| 9 | 996 343 301 02 | additional spring | | 2 | | | | | | | |
| (9) | 996 343 980 09 | additional spring | | 2 | I030/I480 | | | | | | |
| (9) | 996 343 301 02 | additional spring | | 2 | I475 | | | | | | |
| 10 | 900 380 012 09 | hexagon nut M 14 X 1,5 | | 2 | | | | | | | |
| 11 | 996 343 515 05 | deep-groove ball bearing with housing | | 2 | | | | | | | |
| 12 | 997 343 569 00 | clip | | 2 | CARRERA 2 | | | | | | |
| 13 | 900 377 010 09 | hexagon nut | | 2 | CARRERA 2 | | | | | | |
| - | 900 378 111 09 | hexagon-head bolt M 6 X 60 | | 2 | CARRERA 2 | | | | | | |
| 14 A | 997 618 105 03 | control unit shock absorber | 05 | 1 | CARRERA 2 CARRERA 2-S | | | | | | |
| (14) | 997 618 105 04 | control unit shock absorber | 05 | 1 | CARRERA 2 CARRERA 2-S | | | | | | |
| (14) | 997 618 105 05 | control unit shock absorber | 06- | 1 | CARRERA 2 CARRERA 2-S | | | | | | |
| 15 | 999 703 457 40 | cover | | 2 | | | | | | | |
| 16 | 997 606 111 01 | acceleration sensor body | | 2 | | | | | | | |
| | | - - - E N D - - - | | | | | | | | | |

| | | | | | | | | | | | |
|-------|------|----|----|--------------|--------------|--------|------|------------|---------|-----|---------|
| Model | Year | MG | SG | Illustration | Restrictions | Update | 7:25 | 28.08.2006 | PORSCHE | PET | PORSCHE |
| 997 | 07 | 4 | 02 | 402-01 | | 203 | | | | | |

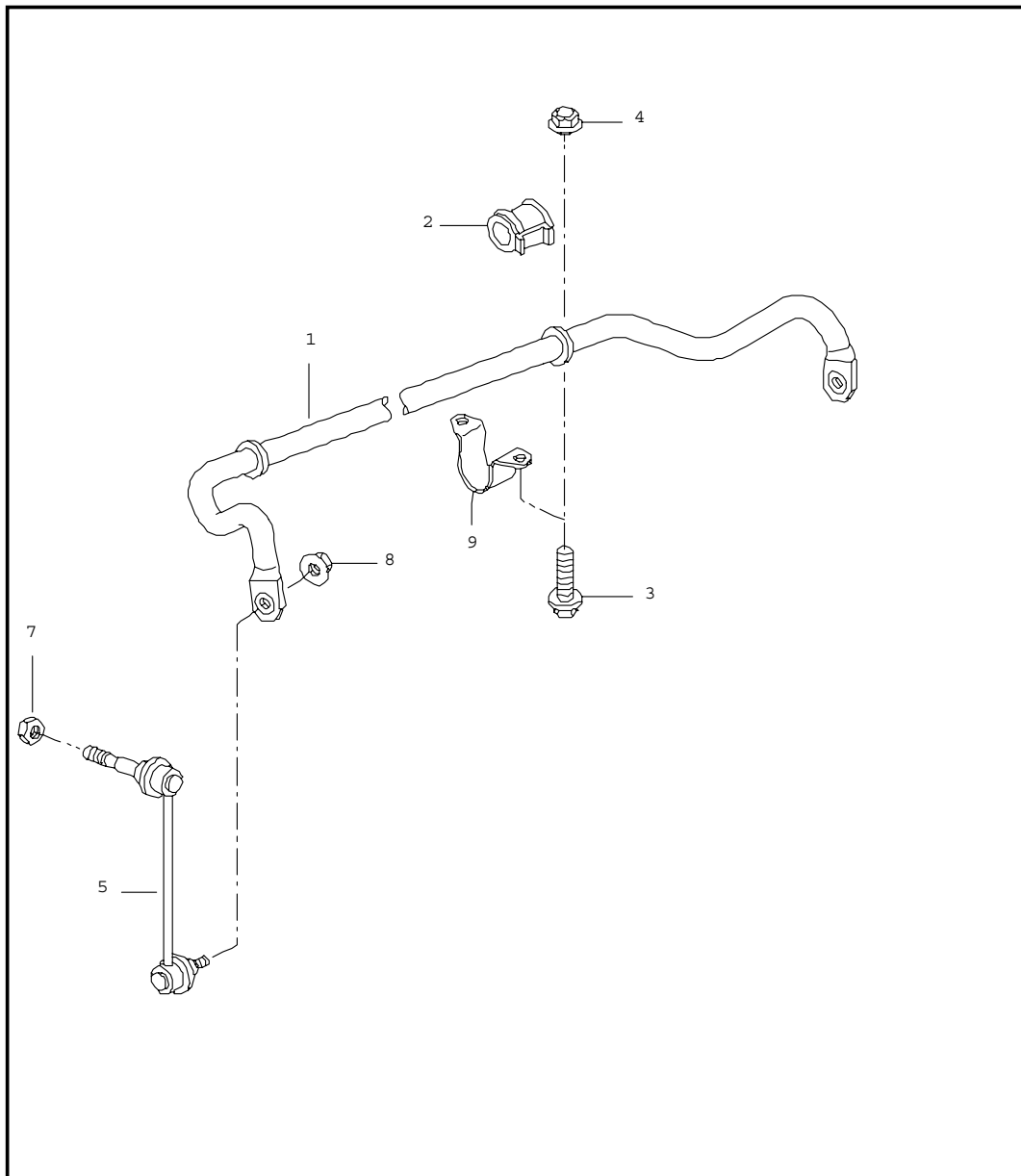


| Pos | Part Number | Name | Remarks | Qty | Model |
|-----|------------------|--------------------------------------|---------|-----|---------------------------------------|
| | | springs | | | CARRERA 4 |
| | | shock absorber strut | | | CARRERA 4-S |
| 1 | A 997 343 043 02 | shock absorber | /L | 1 | I029 CARRERA 4 |
| (1) | 997 343 043 04 | shock absorber | /L | 1 | I029 CARRERA 4 |
| (1) | A 997 343 044 02 | shock absorber | /R | 1 | I029 CARRERA 4 |
| (1) | 997 343 044 04 | shock absorber | /R | 1 | I029 CARRERA 4 |
| (1) | A 997 343 043 03 | shock absorber | /L | 1 | I030/I480 CARRERA 4 CARRERA 4-S |
| (1) | 997 343 043 05 | shock absorber | /L | 1 | I030/I480 CARRERA 4 CARRERA 4-S |
| (1) | A 997 343 044 03 | shock absorber | /R | 1 | I030/I480 CARRERA 4 CARRERA 4-S |
| (1) | 997 343 044 05 | shock absorber | /R | 1 | I030/I480 CARRERA 4 CARRERA 4-S |
| (1) | 997 343 047 08 | shock absorber | /L | 1 | I475 CARRERA 4 CARRERA 4-S |
| (1) | 997 343 048 08 | shock absorber | /R | 1 | I475 CARRERA 4 CARRERA 4-S |
| | | mount | | | |
| | | shock absorber | | | |
| - | 900 378 138 09 | hexagon-head bolt M 12 X 1,5 X 70 | | 2 | |
| - | 999 084 445 09 | lock nut M 12 X 1,5 | | 2 | |
| 2 | 996 343 521 01 | concave washer | | 2 | |
| (4) | 997 343 533 00 | coil spring 1 set | | 1 | I029 I480/I249 |
| | 504 | marked brown white | | | COUPE CABRIO CARRERA 4 |

| | | | | | | | | | | | |
|-------|------|----|----|--------------|--------------|--------|------|------------|---------|-----|---------|
| Model | Year | MG | SG | Illustration | Restrictions | Update | 7:25 | 28.08.2006 | PORSCHE | PET | PORSCHE |
| 997 | 07 | 4 | 02 | 402-01 | | 203 | | | | | |

| Pos | Part Number | Name | Remarks | Qty | Model | Pos | Part Number | Name | Remarks | Qty | Model |
|------|----------------|--|---------|-----|-----------------------------------|------|----------------|--------------------------------|---------|-----|-------|
| (4) | 997 343 533 03 | coil spring 1 set | | 1 | I030 I480 | (17) | 997 618 115 04 | control unit shock absorber | 07- | 1 | |
| | 504 | marked green white | | | COUPE CARRERA 4 CARRERA 4-S | - | 999 703 457 40 | cover | | 2 | |
| (4) | 997 343 533 04 | coil spring 1 set | | 1 | I475 | - | 997 606 111 00 | acceleration sensor body | | 1 | |
| | 504 | marked yellow white | | | | - | 900 378 111 09 | hexagon-head bolt M 6 X 60 | | 2 | |
| 5 | 996 343 509 01 | bellows | | 2 | | 18 | 997 343 569 00 | clip | | 2 | |
| (5) | 996 343 301 02 | additional spring | | 2 | I029 | 19 | 900 377 010 09 | hexagon nut M 6 | | 2 | |
| (5) | 996 343 980 09 | additional spring | | 2 | I030 | - | 900 378 191 09 | hexagon-head bolt M 6 X 55 | | 2 | |
| 6 | 997 333 105 01 | additional spring | | 2 | I475 | 20 | 997 343 272 00 | washer | | 2 | I030 |
| 7 | 996 343 513 00 | washer | | 2 | | | | - - - E N D - - - | | | |
| (7) | 997 343 107 01 | stop plate | | 1 | | | | | | | |
| 8 | 997 343 107 01 | stop plate | | 4 | | | | | | | |
| 9 | 996 343 525 00 | compensating plate 3,0 MM | | 2 | | | | | | | |
| (9) | 996 343 525 01 | compensating plate 6,5 MM | | 2 | | | | | | | |
| 10 | 996 343 523 00 | support ring | | 2 | | | | | | | |
| 11 | 996 343 501 00 | angular-contact bearing | | 2 | | | | | | | |
| 12 | 997 343 015 00 | supporting mount | /L | 1 | | | | | | | |
| (12) | 997 343 016 00 | supporting mount | /R | 1 | | | | | | | |
| 13 | 900 380 012 09 | hexagon nut M 14 X 1,5 | | 2 | | | | | | | |
| 14 | 900 378 191 09 | hexagon-head bolt M 6 X 55 | | 2 | | | | | | | |
| 15 | 900 377 010 09 | hexagon nut M 6 | | 2 | | | | | | | |
| (16) | 997 343 107 01 | stop plate | | 2 | | | | | | | |
| 16 | 997 343 107 00 | stop plate | | 2 | I475 | | | | | | |
| 17 | 997 618 115 03 | control unit shock absorber shock absorber | 06 | 1 | | | | | | | |

| | | | | | | | | | | | |
|-------|------|----|----|--------------|--------------|--------|------|------------|---------|-----|---------|
| Model | Year | MG | SG | Illustration | Restrictions | Update | 7:25 | 28.08.2006 | PORSCHE | PET | PORSCHE |
| 997 | 07 | 4 | 02 | 402-05 | | 203 | | | | | |



| Pos | Part Number | Name | Remarks | Qty | Model |
|-----|----------------|------------|---------|-----|---|
| | | stabiliser | | | |
| 1 | 997 343 701 03 | stabiliser | | 1 | CARRERA 2 COUPE CABRIO I029/480 |
| (1) | 997 343 701 04 | stabiliser | | 1 | CARRERA 2 COUPE I029/249 |
| (1) | 997 343 701 05 | stabiliser | | 1 | CARRERA 2 CABRIO I029/249 |
| (1) | 997 343 701 04 | stabiliser | | 1 | CARRERA 2 CARRERA 2-S COUPE I030 |
| (1) | 997 343 701 04 | stabiliser | | 1 | CARRERA 2 COUPE I475 |
| (1) | 997 343 701 05 | stabiliser | | 1 | CARRERA 2 CABRIO I475 |
| (1) | 997 343 701 04 | stabiliser | | 1 | CARRERA 2-S COUPE CABRIO I475 |
| (1) | 997 343 703 04 | stabiliser | | 1 | CARRERA 4 COUPE I030/480 |
| | | | | 1 | CARRERA 4-S COUPE I030/480 |
| (1) | 997 343 703 05 | stabiliser | | 1 | CARRERA 4 COUPE I029 |
| | | | | 1 | CARRERA 4 CABRIO I029 |
| (1) | 997 343 703 06 | stabiliser | | 1 | CARRERA 4 COUPE I475 |
| | | | | 1 | CARRERA 4 CABRIO I475 |

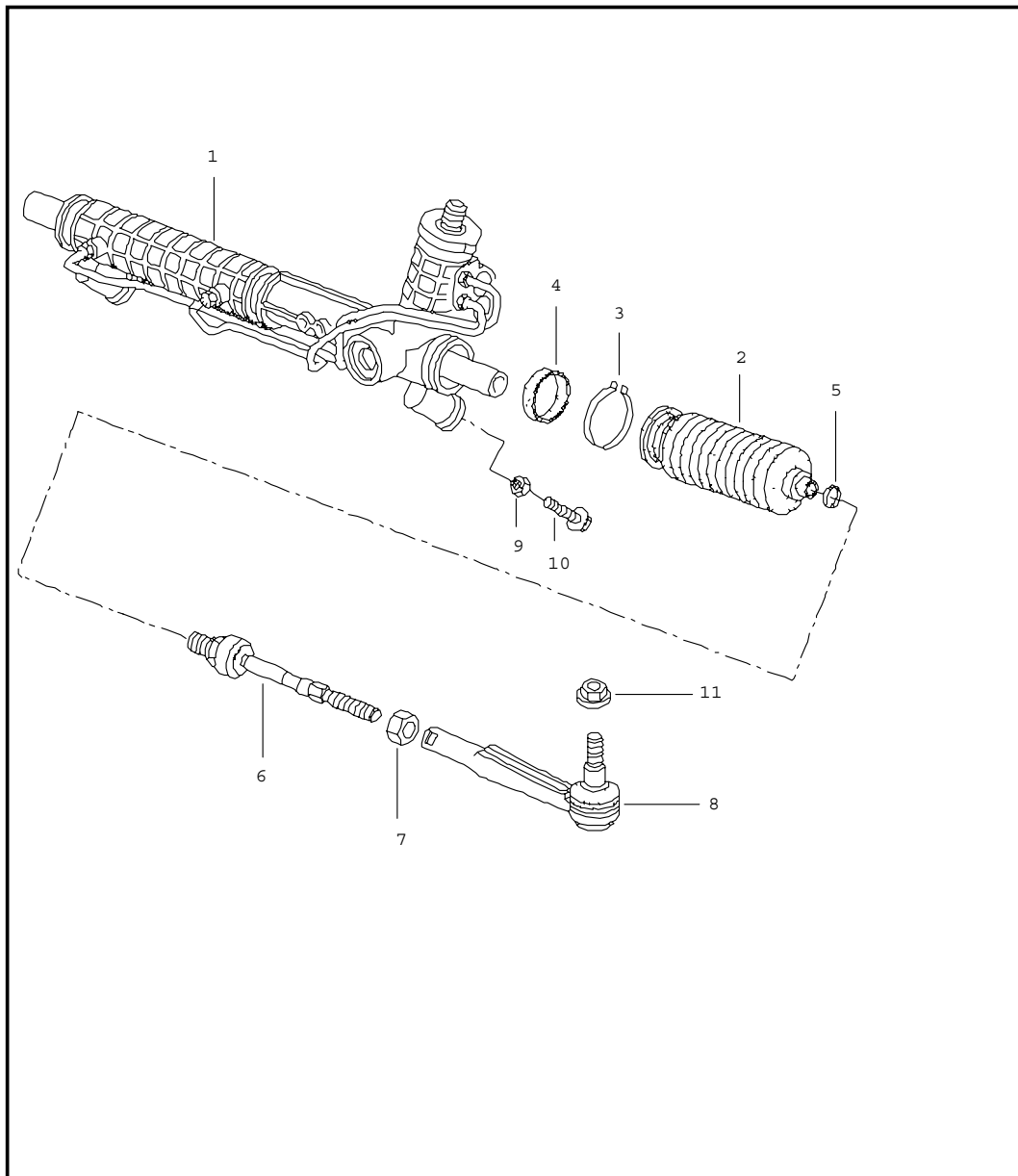
| | | | | | | | | | | | |
|-------|------|----|----|--------------|--------------|--------|------|------------|---------|-----|---------|
| Model | Year | MG | SG | Illustration | Restrictions | Update | 7:25 | 28.08.2006 | PORSCHE | PET | PORSCHE |
| 997 | 07 | 4 | 02 | 402-05 | | 203 | | | | | |

| Pos | Part Number | Name | Remarks | Qty | Model | Pos | Part Number | Name | Remarks | Qty | Model |
|-----|----------------|--------------------------------|---------|-----|---|-----|----------------|---|---------|-----|--------------------------|
| (1) | 997 343 703 06 | stabiliser | | 1 | CARRERA 4-S COUPE I475 | 4 | 900 380 008 09 | hexagon nut M 10 | | 4 | CARRERA 4 CARRERA 4-S |
| | | | | 1 | CARRERA 4-S CABRIO I475 | 5 | 997 343 069 00 | stabiliser mounting see technical manual group 4 NR.407719 | /L | 1 | CARRERA 2 CARRERA 2-S |
| 2 | 996 343 792 12 | stabiliser mounting | | 2 | CARRERA 2 I029/480 | (5) | 997 343 069 01 | stabiliser mounting see technical manual group 4 NR.407819 | /L | 1 | CARRERA 2 CARRERA 2-S |
| (2) | 996 343 792 17 | stabiliser mounting | | 2 | CARRERA 2 I029/480 | (5) | 997 343 073 02 | stabiliser mounting | /L | 1 | CARRERA 4 CARRERA 4-S |
| | | | | 2 | CARRERA 2 COUPE CABRIO | (5) | 997 343 070 00 | stabiliser mounting see technical manual group 4 NR.407819 | /R | 1 | CARRERA 2 CARRERA 2-S |
| | | | | 2 | CARRERA 2 CARRERA 2-S COUPE I030 | (5) | 997 343 070 01 | stabiliser mounting see technical manual group 4 NR.407819 | /R | 1 | CARRERA 2 CARRERA 2-S |
| | | | | 2 | CARRERA 2 CARRERA 2-S COUPE CABRIO I475 | (5) | 997 343 074 02 | stabiliser mounting | /R | 1 | CARRERA 4 CARRERA 4-S |
| (2) | 997 343 792 00 | stabiliser mounting | | 2 | CARRERA 4 COUPE I030/480 | (5) | 997 343 074 02 | stabiliser mounting | /R | 1 | CARRERA 4 CARRERA 4-S |
| | | | | 2 | CARRERA 4-S COUPE I030/480 | 7 | 999 084 445 09 | lock nut M 12 X 1,5 see technical manual group 4 NR.407819 | | 2 | CARRERA 2 CARRERA 2-S |
| (2) | 996 343 792 11 | stabiliser mounting | | 2 | CARRERA 4 COUPE I029 | (7) | 999 084 123 09 | hexagon nut M 10 see technical manual group 4 NR.707819 | | 2 | CARRERA 2 CARRERA 2-S |
| | | | | 2 | CARRERA 4 CABRIO I029 | (7) | 999 084 445 09 | hexagon nut M 12 x 1,5 see technical manual group 4 NR.407819 | | 2 | CARRERA 4 CARRERA 4-S |
| (2) | 996 343 792 12 | stabiliser mounting | | 2 | CARRERA 4 COUPE I475 | 8 | 999 084 643 09 | hexagon nut M10 see technical manual group 4 NR.407819 | | 2 | CARRERA 2 CARRERA 2-S |
| | | | | 2 | CARRERA 4 CABRIO I475 | | | | | | |
| | | | | 2 | CARRERA 4-S COUPE I475 | | | | | | |
| | | | | 2 | CARRERA 4-S CABRIO I475 | | | | | | |
| 3 | 900 378 098 09 | hexagon-head bolt M 10 X 60 | | 4 | | | | | | | |

| | | | | | | | | | | | | |
|-------|------|----|----|--------------|--------------|--------|------|------------|---------|-----|---------|--|
| Model | Year | MG | SG | Illustration | Restrictions | Update | | | | | | |
| 997 | 07 | 4 | 02 | 402-05 | | 203 | 7:25 | 28.08.2006 | PORSCHE | PET | PORSCHE | |

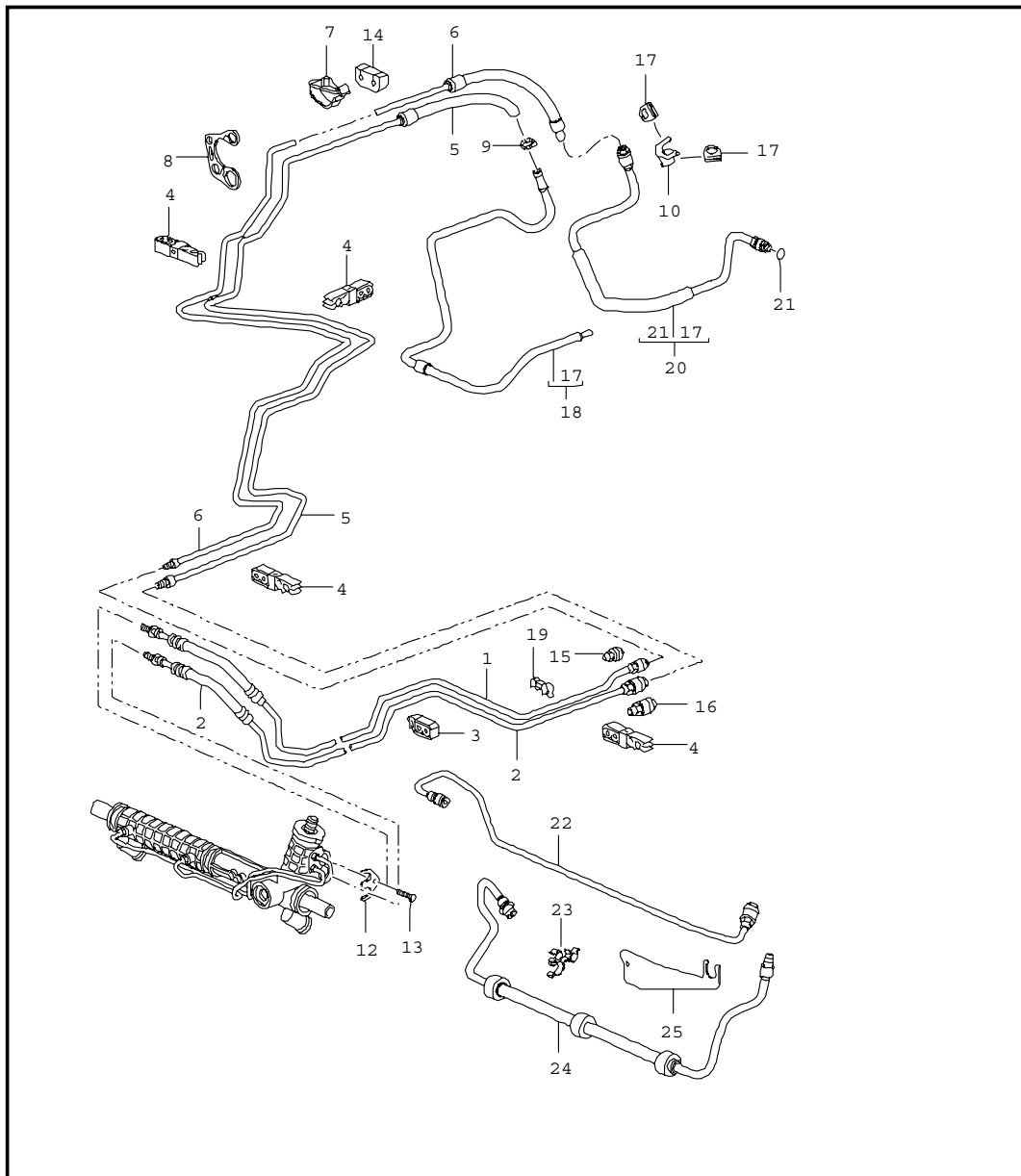
| Pos | Part Number | Name | Remarks | Qty | Model | Pos | Part Number | Name | Remarks | Qty | Model |
|-----|----------------|---|---------|-----|--------------------------|-----|-------------|------|---------|-----|-------|
| (8) | 999 084 123 09 | hexagon nut M 10 see technical manual group 4 NR.407819 | | 2 | CARRERA 2 CARRERA 2-S | | | | | | |
| (8) | 999 084 123 09 | hexagon nut M 10 | | 2 | CARRERA 4 CARRERA 4-S | | | | | | |
| 9 | 997 343 777 01 | clip | | 2 | CARRERA 4 CARRERA 4-S | | | | | | |
| | | - - - E N D - - - | | | | | | | | | |

| | | | | | | | | | | | |
|-------|------|----|----|--------------|--------------|--------|------|------------|---------|-----|---------|
| Model | Year | MG | SG | Illustration | Restrictions | Update | 7:26 | 28.08.2006 | PORSCHE | PET | PORSCHE |
| 997 | 07 | 4 | 03 | 403-00 | | 203 | | | | | |



| Pos | Part Number | Name | Remarks | Qty | Model |
|-----|----------------|---|---------|-----|-------|
| | | power steering steering gear steering parts | | | |
| 1 | 997 347 011 04 | steering gear power steering | | 1 | I098 |
| (1) | 997 347 012 03 | steering gear power steering | | 1 | I099 |
| - | 996 347 110 02 | clip pinion steering gear | | 1 | |
| 2 | 997 347 191 00 | bellows | | 2 | |
| 3 | 996 347 293 04 | clamping ring | | 2 | |
| 4 | 996 347 373 01 | sealing ring | | 2 | |
| 5 | 999 512 693 09 | clamping ring | | 2 | |
| 6 | 997 347 322 00 | joint | | 2 | |
| 7 | 999 034 037 09 | hexagon nut M 14 X 1,5 | | 2 | |
| 8 | 996 347 131 04 | track rod | | 2 | |
| 9 | - | see illustrations 4/01/00 POS.2 | | | |
| 10 | 900 378 100 09 | hexagon-head bolt AM 10 X 45 | | 2 | |
| 11 | 999 084 449 09 | hexagon nut M 12 X 1,5 | | 2 | |
| | | - - - E N D - - - | | | |

| | | | | | | | | | | | |
|-------|------|----|----|--------------|--------------|--------|------|------------|---------|-----|---------|
| Model | Year | MG | SG | Illustration | Restrictions | Update | 7:26 | 28.08.2006 | PORSCHE | PET | PORSCHE |
| 997 | 07 | 4 | 03 | 403-01 | | 203 | | | | | |

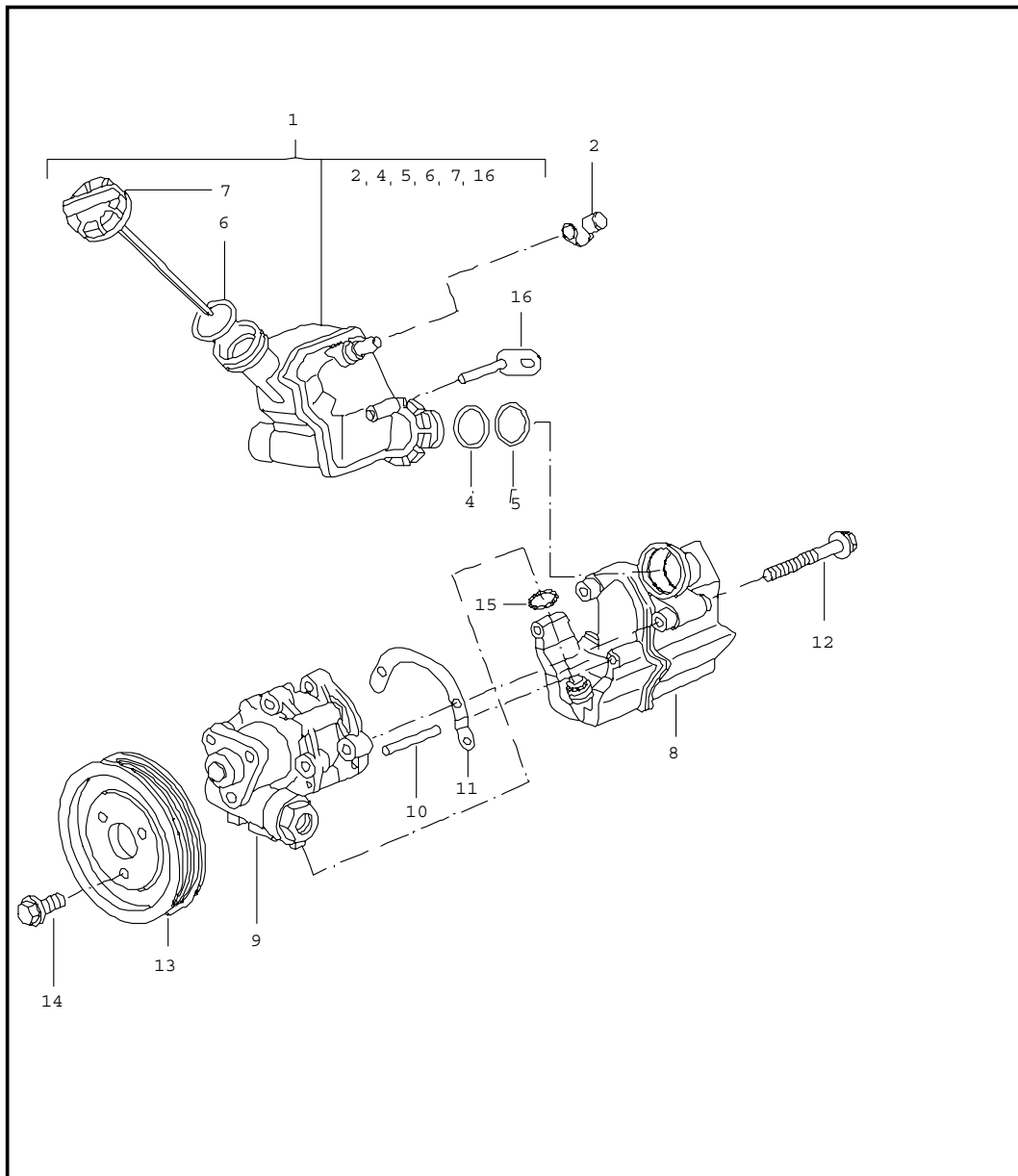


| Pos | Part Number | Name | Remarks | Qty | Model |
|-----|----------------|---|---------------|-----|----------------------------------|
| | | power steering lines | | | |
| 1 | 997 347 451 02 | pressure line | | 1 | I098 |
| (1) | 997 347 452 02 | pressure line | | 1 | I099 |
| 2 | 997 347 449 02 | return line | | 1 | CARRERA 2 CARRERA 2-S I098 |
| (2) | 987 347 449 00 | return line | | 1 | CARRERA 4 CARRERA 4-S I098 |
| (2) | 997 347 650 01 | return line | | 1 | CARRERA 2 CARRERA 2-S I099 |
| (2) | 987 347 650 00 | return line | | 1 | CARRERA 4 CARRERA 4-S I099 |
| 3 | 996 347 543 00 | cable holder | | X | |
| 4 | 996 355 543 00 | support | | 1 | |
| 5 | 997 347 439 01 | return line centre | | 1 | CARRERA 2 CARRERA 2-S |
| (5) | 997 347 439 02 | return line centre | | 1 | CARRERA 4 CARRERA 4-S |
| 6 | 997 347 445 01 | pressure line centre F | >>995S7 41101 | 1 | CARRERA 2 CARRERA 2-S |
| (6) | 997 347 445 02 | pressure line centre F 995S7 41102>> | | 1 | CARRERA 2 CARRERA 2-S |
| (6) | 997 347 445 02 | pressure line centre | | 1 | CARRERA 4 CARRERA 4-S |
| 7 | 996 347 549 01 | support | | 2 | |
| 8 | 997 347 544 00 | support | | 1 | |
| 9 | 999 512 639 09 | spring clamp | | 1 | |
| - | 999 707 503 40 | sealing ring pressure line | | 1 | |
| - | 999 230 551 10 | threaded joint NW 10 | | 1 | |
| - | 999 230 552 10 | threaded joint NW 6 | | 1 | |

| | | | | | | | | | | | |
|-------|------|----|----|--------------|--------------|--------|------|------------|---------|-----|---------|
| Model | Year | MG | SG | Illustration | Restrictions | Update | 7:26 | 28.08.2006 | PORSCHE | PET | PORSCHE |
| 997 | 07 | 4 | 03 | 403-01 | | 203 | | | | | |

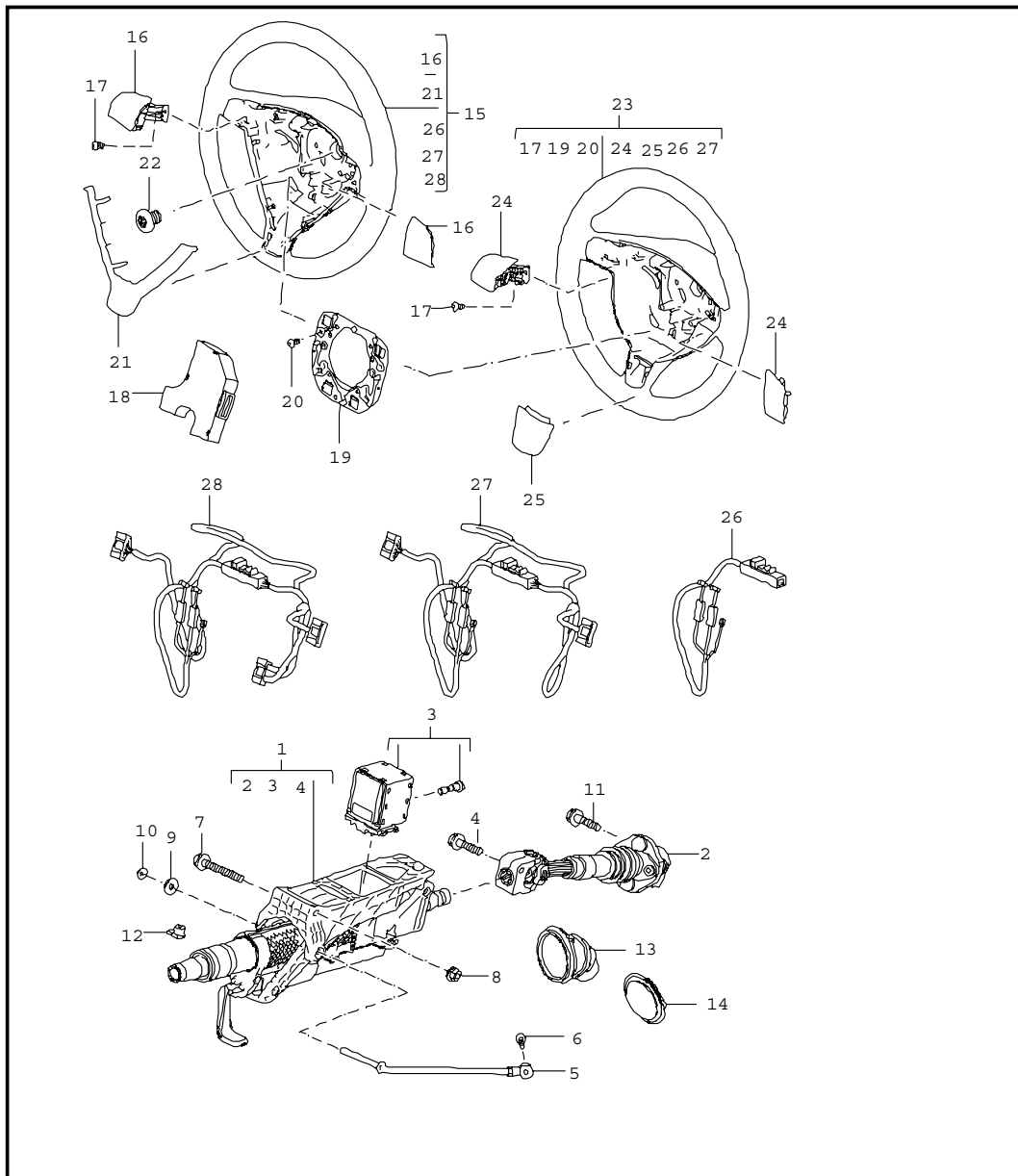
| Pos | Part Number | Name | Remarks | Qty | Model | Pos | Part Number | Name | Remarks | Qty | Model |
|-----|----------------|---|---------|-----|-------|-----|-------------|------|---------|-----|-------|
| - | 999 230 683 40 | safety clip for threaded joint pressure line | | 1 | | | | | | | |
| - | 999 230 584 40 | circlip for threaded joint return line | | 1 | I098 | | | | | | |
| - | 999 230 584 40 | circlip for threaded joint return line | | 2 | I099 | | | | | | |
| 10 | 997 347 749 00 | support | | 1 | | | | | | | |
| 12 | 996 347 769 01 | tension shackle | | 1 | | | | | | | |
| 13 | 900 067 063 02 | pan-head screw M 10 X 20 | | 1 | | | | | | | |
| 14 | 996 347 551 01 | retainer plate | | 1 | | | | | | | |
| 15 | 999 230 539 10 | threaded joint | | 1 | | | | | | | |
| 16 | 999 230 540 10 | threaded joint | | 1 | | | | | | | |
| 17 | 999 702 210 40 | rubber sleeve | | 2 | | | | | | | |
| 18 | 997 347 441 02 | return line | | 1 | | | | | | | |
| 19 | 999 507 575 40 | hose holder | | 1 | | | | | | | |
| 20 | 997 347 443 00 | pressure line | | 1 | | | | | | | |
| 21 | 999 707 503 40 | sealing ring | | 1 | | | | | | | |
| 22 | 997 347 564 02 | pressure line | | 1 | I099 | | | | | | |
| 23 | 999 507 963 40 | support | | 1 | I099 | | | | | | |
| 24 | 997 347 462 01 | return line | | 1 | I099 | | | | | | |
| 25 | 997 347 560 00 | support | | 1 | I099 | | | | | | |
| | | - - - E N D - - - | | | | | | | | | |

| | | | | | | | | | | | |
|-------|------|----|----|--------------|--------------|--------|------|------------|---------|-----|---------|
| Model | Year | MG | SG | Illustration | Restrictions | Update | 7:26 | 28.08.2006 | PORSCHE | PET | PORSCHE |
| 997 | 07 | 4 | 03 | 403-03 | | 203 | | | | | |



| Pos | Part Number | Name | Remarks | Qty | Model |
|-----|----------------|--|---------|-----|-------|
| | | power steering power-steering pump container | | | |
| 1 | 997 314 225 00 | expansion tank | | 1 | |
| 2 | 997 314 332 00 | rubber cap | | 1 | |
| 4 | 999 707 362 40 | sealing ring | | 1 | |
| 5 | 999 707 363 40 | sealing ring | | 1 | |
| 6 | 999 701 154 40 | sealing ring | | 1 | |
| 7 | 997 314 223 00 | cover | | 1 | |
| (8) | 997 314 220 00 | oil tank | | 1 | |
| 9 | 996 314 050 02 | power-steering pump | | 1 | |
| 10 | 996 314 320 03 | straight pin | | 2 | |
| 11 | 996 314 431 05 | bracket | | 1 | |
| 12 | 900 378 105 09 | hexagon-head bolt AM 8 X 70 | | 2 | |
| 13 | 996 147 223 60 | pulley | | 1 | |
| 14 | 900 378 123 09 | hexagon-head bolt M 8 X 12 | | 3 | |
| 15 | 999 707 204 40 | sealing ring 12.5 X 2N | | 1 | |
| 16 | 996 314 551 00 | bracket for container | | 1 | |
| - | 000 043 203 33 | pentosin 1000 ML | | X | |
| | | - - - E N D - - - | | | |

| | | | | | | | | | | | |
|-------|------|----|----|--------------|--------------|--------|------|------------|---------|-----|---------|
| Model | Year | MG | SG | Illustration | Restrictions | Update | 7:26 | 28.08.2006 | PORSCHE | PET | PORSCHE |
| 997 | 07 | 4 | 03 | 403-05 | | 203 | | | | | |



| Pos | Part Number | Name | Remarks | Qty | Model |
|-----|----------------|--|---------|-----|-----------|
| 1 | 997 347 007 05 | steering outer tube steering shaft steering wheels | | 1 | |
| (1) | 997 347 007 07 | steering column complete with steering shaft | | 1 | |
| 2 | 997 347 023 02 | intermed. steering shaft | | 1 | |
| 3 | 997 618 158 03 | control unit steering column with screw | | 1 | |
| 4 | 999 217 042 09 | hexagon-head bolt M 8 X 35 | | 1 | |
| 5 | 997 347 243 00 | support | | 1 | |
| 6 | 900 378 173 09 | hexagon-head bolt AM 6 X 20 | | 1 | |
| 7 | 900 378 095 09 | hexagon-head bolt M 10 X 100 | | 1 | |
| 8 | 900 380 008 09 | hexagon nut M 10 | | 1 | |
| 9 | 900 151 006 09 | washer | | 1 | |
| 10 | 999 507 217 07 | clamping washer | | 1 | |
| 11 | 999 217 042 09 | hexagon-head bolt M 8 X 35 | | 1 | |
| 12 | 999 920 019 40 | special nut 3,5 X 2,5 X 9 | | 1 | |
| 13 | 986 347 037 01 | bellows | | 1 | |
| 14 | 996 347 339 02 | rubber seal bulkhead | | 1 | |
| 15 | 997 347 804 03 | steering wheel leather embossed | | 1 | I436/I480 |
| | FOA | black | | | |
| | FOB | stone grey | | | |

| | | | | | | | | | | | |
|-------|------|----|----|--------------|--------------|--------|------|------------|---------|-----|---------|
| Model | Year | MG | SG | Illustration | Restrictions | Update | 7:26 | 28.08.2006 | PORSCHE | PET | PORSCHE |
| 997 | 07 | 4 | 03 | 403-05 | | 203 | | | | | |

| Pos | Part Number | Name | Remarks | Qty | Model | Pos | Part Number | Name | Remarks | Qty | Model |
|------|----------------|---------------------------------------|---------|-----|-----------|------|---------------------------|--|---------|-----|-----------|
| | | FOC sand beige | | | | (15) | 997 347 804 11 | steering wheel plain leather | | 1 | I459/I249 |
| | | FOD palmgreen | | | | | FOK black/grey | | | | |
| | | FOE sea blue | | | | | FOL stone grey/stone grey | | | | |
| | | FOF terracotta | | | | | FOM sand beige/sand beige | | | | |
| | | FOG cocoa | | | | | FON palm-green/palm-green | | | | |
| | | FOH dark grey/natural | | | | | FOO seeblue/grey | | | | |
| | | FOJ brown/natural | | | | | FOP terrakotta/terrakotta | | | | |
| (15) | 997 347 804 04 | steering wheel leather embossed | | 1 | I436/I249 | | FOQ cocoa/cocoa | | | | |
| | | FOA black | | | | | FOR darkgrey natural/grey | | | | |
| | | FOB stone grey | | | | | FOS brown nat./brown nat. | | | | |
| | | FOC sand beige | | | | (15) | 997 347 804 05 | steering wheel plain leather multiple function | | 1 | I431/I480 |
| | | FOD palmgreen | | | | | FOK black/grey | | | | |
| | | FOE sea blue | | | | | FOL stone grey/stone grey | | | | |
| | | FOF terracotta | | | | | FOM sand beige/sand beige | | | | |
| | | FOG cocoa | | | | | FON palm-green/palm-green | | | | |
| | | FOH dark grey/natural | | | | | FOO seeblue/grey | | | | |
| | | FOJ brown/natural | | | | | FOP terrakotta/terrakotta | | | | |
| (15) | 997 347 804 01 | steering wheel plain leather | | 1 | I459/I480 | | FOQ cocoa/cocoa | | | | |
| | | FOK black/grey | | | | | FOR darkgrey natural/grey | | | | |
| | | FOL stone grey/stone grey | | | | | FOS brown nat./brown nat. | | | | |
| | | FOM sand beige/sand beige | | | | (15) | 997 347 804 06 | steering wheel plain leather multiple function | | 1 | I431/I249 |
| | | FON palm-green/palm-green | | | | | FOK black/grey | | | | |
| | | FOO seeblue/grey | | | | | FOL stone grey/stone grey | | | | |
| | | FOP terrakotta/terrakotta | | | | | FOM sand beige/sand beige | | | | |
| | | FOQ cocoa/cocoa | | | | | FON palm-green/palm-green | | | | |
| | | FOR darkgrey natural/grey | | | | | FOO seeblue/grey | | | | |
| | | FOS brown nat./brown nat. | | | | | FOP terrakotta/terrakotta | | | | |

| | | | | | | | | | | | |
|-------|------|----|----|--------------|--------------|--------|------|------------|---------|-----|---------|
| Model | Year | MG | SG | Illustration | Restrictions | Update | 7:26 | 28.08.2006 | PORSCHE | PET | PORSCHE |
| 997 | 07 | 4 | 03 | 403-05 | | 203 | | | | | |

| Pos | Part Number | Name | Remarks | Qty | Model | Pos | Part Number | Name | Remarks | Qty | Model |
|------|----------------|------|--|-----|-----------|------|----------------|------|--|-----|-----------|
| (15) | 997 347 804 22 | FOQ | cocoa/cocoa | 1 | I451/I480 | (15) | 997 347 804 33 | FOL | stone grey/stone grey | 1 | I452/I249 |
| | | FOR | darkgrey natural/grey | | | | | FOM | sand beige/sand beige | | |
| | | FOS | brown nat./brown nat. | | | | | FON | palm-green/palm-green | | |
| | | | steering wheel multiple function wood makassar | | | | | FOO | seeblue/grey | | |
| | | FOK | black/grey | | | | | FOP | terrakotta/terrakotta | | |
| | | FOL | stone grey/stone grey | | | | | FOQ | cocoa/cocoa | | |
| | | FOM | sand beige/sand beige | | | | | FOR | darkgrey natural/grey | | |
| | | FON | palm-green/palm-green | | | | | FOS | brown nat./brown nat. | | |
| | | FOO | seeblue/grey | | | | | | steering wheel multiple function wood sycamore wood | | |
| | | FOP | terrakotta/terrakotta | | | | | FOK | black/grey | | |
| (15) | 997 347 804 32 | FOQ | cocoa/cocoa | 1 | I451/I249 | (15) | 997 347 804 24 | FOL | stone grey/stone grey | 1 | I453/I480 |
| | | FOR | darkgrey natural/grey | | | | | FOM | sand beige/sand beige | | |
| | | FOS | brown nat./brown nat. | | | | | FON | palm-green/palm-green | | |
| | | | steering wheel multiple function wood makassar | | | | | FOO | seeblue/grey | | |
| | | FOK | black/grey | | | | | FOP | terrakotta/terrakotta | | |
| | | FOL | stone grey/stone grey | | | | | FOQ | cocoa/cocoa | | |
| | | FOM | sand beige/sand beige | | | | | FOR | darkgrey natural/grey | | |
| | | FON | palm-green/palm-green | | | | | FOS | brown nat./brown nat. | | |
| | | FOO | seeblue/grey | | | | | | steering wheel multiple function carbon | | |
| | | FOP | terrakotta/terrakotta | | | | | FOK | black/grey | | |
| (15) | 997 347 804 23 | FOQ | cocoa/cocoa | 1 | I452/I480 | (15) | 997 347 804 24 | FOL | stone grey/stone grey | 1 | I453/I480 |
| | | FOR | darkgrey natural/grey | | | | | FOM | sand beige/sand beige | | |
| | | FOS | brown nat./brown nat. | | | | | FON | palm-green/palm-green | | |
| | | | steering wheel multiple function wood sycamore wood | | | | | FOO | seeblue/grey | | |
| | | FOK | black/grey | | | | | FOP | terrakotta/terrakotta | | |
| | | FOL | stone grey/stone grey | | | | | FOQ | cocoa/cocoa | | |
| | | FOM | sand beige/sand beige | | | | | FOR | darkgrey natural/grey | | |
| | | FON | palm-green/palm-green | | | | | | steering wheel multiple function carbon | | |
| | | FOO | seeblue/grey | | | | | FOK | black/grey | | |
| | | FOP | terrakotta/terrakotta | | | | | FOL | stone grey/stone grey | | |

| | | | | | | | | | | | |
|-------|------|----|----|--------------|--------------|--------|------|------------|---------|-----|---------|
| Model | Year | MG | SG | Illustration | Restrictions | Update | 7:26 | 28.08.2006 | PORSCHE | PET | PORSCHE |
| 997 | 07 | 4 | 03 | 403-05 | | 203 | | | | | |

| Pos | Part Number | Name | Remarks | Qty | Model | Pos | Part Number | Name | Remarks | Qty | Model |
|------|----------------|--|---------|-----|-----------|------|----------------|--|---------|-----|-------|
| (15) | 997 347 804 34 | FOS brown nat./brown nat. steering wheel multiple function carbon | | 1 | I453/I249 | | J24 | palmgreen | | | |
| | | FOK black/grey | | | | | M24 | terracotta | | | |
| | | FOL stone grey/stone grey | | | | | R24 | cocoa | | | |
| | | FOM sand beige/sand beige | | | | 16 | 997 347 837 00 | cover | /L | 1 | I480 |
| | | FON palm-green/palm-green | | | | | V04 | galvano silver | | | |
| | | FOO seeblue/grey | | | | (16) | 997 347 838 00 | cover | /R | 1 | I480 |
| | | FOP terrakotta/terrakotta | | | | | V04 | galvano silver | | | |
| | | FOQ cocoa/cocoa | | | | (16) | 997 613 431 01 | gearshift unit with tiptronic lever | /L 05 | 1 | I249 |
| | | FOR darkgrey natural/grey | | | | | V04 | galvano silver | | | |
| (15) | 997 347 981 00 | FOS brown nat./brown nat. steering wheel multiple function aluminium look | | 1 | I480/IXPV | (16) | 997 613 431 02 | gearshift unit with tiptronic lever | /L 06- | 1 | I249 |
| | | A34 black | | | | | V04 | galvano silver | | | |
| | | B24 stone grey | | | | (16) | 997 613 432 01 | gearshift unit with tiptronic lever | /R 05 | 1 | I249 |
| | | D14 dark grey/natural | | | | | V04 | galvano silver | | | |
| | | E24 sea blue | | | | (16) | 997 613 432 02 | gearshift unit with tiptronic lever | /R 06- | 1 | I249 |
| | | J24 palmgreen | | | | | V04 | galvano silver | | | |
| | | M24 terracotta | | | | (16) | 997 613 433 01 | gearshift unit multiple function manual transmission | /L 05 | 1 | I480 |
| | | R24 cocoa | | | | | V04 | galvano silver | | | |
| | | T24 sand beige | | | | (16) | 997 613 433 02 | gearshift unit multiple function manual transmission | /L 06- | 1 | I480 |
| | | T34 brown/natural | | | | | V04 | galvano silver | | | |
| (15) | 997 347 981 01 | steering wheel multiple function aluminium look | | 1 | I432/IXPV | (16) | 997 613 433 01 | gearshift unit multiple function manual transmission | /L 05 | 1 | I480 |
| | | A34 black | | | | | V04 | galvano silver | | | |
| | | B24 stone grey | | | | (16) | 997 613 433 02 | gearshift unit multiple function manual transmission | /L 06- | 1 | I480 |
| | | D14 dark grey/natural | | | | | V04 | galvano silver | | | |
| | | E24 sea blue | | | | | V04 | galvano silver | | | |

| | | | | | | | | | | | |
|-------|------|----|----|--------------|--------------|--------|------|------------|---------|-----|---------|
| Model | Year | MG | SG | Illustration | Restrictions | Update | 7:26 | 28.08.2006 | PORSCHE | PET | PORSCHE |
| 997 | 07 | 4 | 03 | 403-05 | | 203 | | | | | |

| Pos | Part Number | Name | Remarks | Qty | Model | Pos | Part Number | Name | Remarks | Qty | Model |
|------|----------------|---|---------|-----|-------------------------|------|----------------|--|---------|-----|-----------|
| (16) | 997 613 434 01 | gearshift unit multiple function manual transmission | /R 05 | 1 | I480 | 22 | N 910 207 01 | screw M 18 X 1,5 X 26 | | 1 | |
| | V04 | galvano silver | | | | 23 | 997 347 804 40 | sports steering wheel leather embossed | | 1 | I435/I480 |
| (16) | 997 613 434 02 | gearshift unit multiple function manual transmission | /R 06- | 1 | I480 | | FOA | black | | | |
| | V04 | galvano silver | | | | | FOB | stone grey | | | |
| (16) | 997 613 435 01 | gearshift unit multiple function with tiptronic lever | /L 05 | 1 | I249 | | FOC | sand beige | | | |
| | V04 | galvano silver | | | | | FOD | palmgreen | | | |
| | | | | | | | FOE | sea blue | | | |
| | | | | | | | FOF | terracotta | | | |
| (16) | 997 613 435 02 | gearshift unit multiple function with tiptronic lever | /L 06- | 1 | I249 | | FOG | cocoa | | | |
| | V04 | galvano silver | | | | (23) | 997 347 804 50 | sports steering wheel leather embossed | | 1 | I435/I249 |
| (16) | 997 613 436 01 | gearshift unit multiple function with tiptronic lever | /R 05 | 1 | I249 | | FOA | black | | | |
| | V04 | galvano silver | | | | | FOB | stone grey | | | |
| | | | | | | | FOC | sand beige | | | |
| (16) | 997 613 436 02 | gearshift unit multiple function with tiptronic lever | /R 06- | 1 | I249 | | FOD | palmgreen | | | |
| | V04 | galvano silver | | | | | FOE | sea blue | | | |
| | | | | | | | FOF | terracotta | | | |
| | | | | | | | FOG | cocoa | | | |
| 17 | 999 073 318 09 | half-round screw M 4 X 10 | | 2 | | | FOH | dark grey/natural | | | |
| | | | | | | | FOJ | brown/natural | | | |
| 18 | 997 613 445 01 | electronic unit multiple function | | 1 | I431/I451/ I452/I453 | (23) | 997 347 804 41 | sports steering wheel plain leather | | 1 | I460/I480 |
| 19 | 997 347 880 00 | retaining frame | | 1 | | | FOK | black/grey | | | |
| 20 | 999 141 022 09 | round head screw M 5 X 12,5 | | 4 | | | FOL | stone grey/stone grey | | | |
| 21 | 997 347 821 00 | cover | | 1 | | | FOM | sand beige/sand beige | | | |
| | D07 | volcano grey | | | | | FON | palm-green/palm-green | | | |

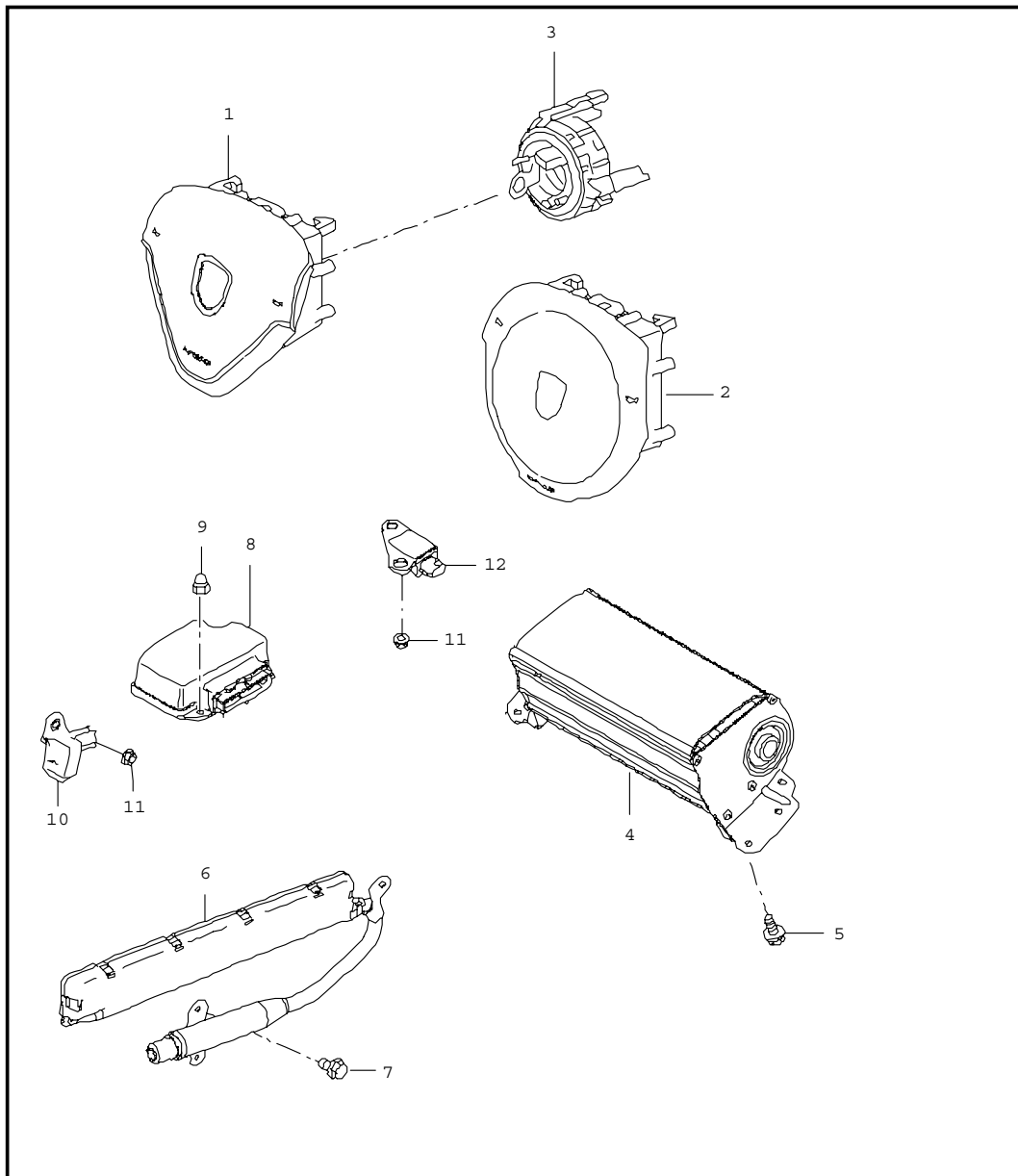
| | | | | | | | | | | | |
|-------|------|----|----|--------------|--------------|--------|------|------------|---------|-----|---------|
| Model | Year | MG | SG | Illustration | Restrictions | Update | | | | | |
| 997 | 07 | 4 | 03 | 403-05 | | 203 | 7:26 | 28.08.2006 | PORSCHE | PET | PORSCHE |

| Pos | Part Number | Name | Remarks | Qty | Model | Pos | Part Number | Name | Remarks | Qty | Model |
|------|----------------|-------------------------------------|---------|-----|-----------|------|----------------|-------------------------------------|---------|-----|-------|
| | | FOO seeblue/grey | | | | | D14 | dark grey/natural | | | |
| | | FOP terrakotta/terrakotta | | | | | E24 | sea blue | | | |
| | | FOQ cocoa/cocoa | | | | | J24 | palmgreen | | | |
| | | FOR darkgrey natural/grey | | | | | M24 | terracotta | | | |
| | | FOS brown nat./brown nat. | | | | | R24 | cocoa | | | |
| (23) | 997 347 804 51 | sports steering wheel plain leather | | 1 | I460/I249 | | T24 | sand beige | | | |
| | | FOK black/grey | | | | | T34 | brown/natural | | | |
| | | FOL stone grey/stone grey | | | | 24 | 997 347 837 40 | cover | /L | 1 | I480 |
| | | FOM sand beige/sand beige | | | | | V04 | galvano silver | | | |
| | | FON palm-green/palm-green | | | | (24) | 997 347 838 40 | cover | /R | 1 | I480 |
| | | FOO seeblue/grey | | | | | V04 | galvano silver | | | |
| | | FOP terrakotta/terrakotta | | | | (24) | 997 613 437 00 | gearshift unit with tiptronic lever | /L 05 | 1 | I249 |
| | | FOQ cocoa/cocoa | | | | | V04 | galvano silver | | | |
| | | FOR darkgrey natural/grey | | | | (24) | 997 613 437 02 | gearshift unit with tiptronic lever | /R 06- | 1 | I249 |
| (23) | 997 347 980 00 | sports steering wheel leather | | 1 | I480/IXPA | | V04 | galvano silver | | | |
| | | A34 black | | | | (24) | 997 613 438 00 | gearshift unit with tiptronic lever | /R 05 | 1 | I249 |
| | | B24 stone grey | | | | | V04 | galvano silver | | | |
| | | D14 dark grey/natural | | | | (24) | 997 613 438 02 | gearshift unit with tiptronic lever | /R 06- | 1 | I249 |
| | | E24 sea blue | | | | | V04 | galvano silver | | | |
| | | J24 palmgreen | | | | | | | | | |
| | | M24 terracotta | | | | | | | | | |
| | | R24 cocoa | | | | | | | | | |
| | | T24 sand beige | | | | | | | | | |
| | | T34 brown/natural | | | | | | | | | |
| (23) | 997 347 980 01 | sports steering wheel leather | | 1 | I432/IXPA | 25 | 997 347 821 40 | cover | | 1 | |
| | | A34 black | | | | | V04 | galvano silver | | | |
| | | B24 stone grey | | | | | | | | | |

| | | | | | | | | | | | |
|-------|------|----|----|--------------|--------------|--------|------|------------|---------|-----|---------|
| Model | Year | MG | SG | Illustration | Restrictions | Update | | | | | |
| 997 | 07 | 4 | 03 | 403-05 | | 203 | 7:26 | 28.08.2006 | PORSCHE | PET | PORSCHE |

| Pos | Part Number | Name | Remarks | Qty | Model | Pos | Part Number | Name | Remarks | Qty | Model |
|-----|----------------|--|---------|-----|-------------------------|-----|-------------|------|---------|-----|-------|
| 26 | 997 612 672 00 | wiring harness 3-spoke steering wheel sports steering wheel without multiple function manual transmission | | 1 | I480 | | | | | | |
| 27 | 997 612 674 00 | wiring harness 3-spoke steering wheel sports steering wheel without multiple function tiptronic | | 1 | I249 | | | | | | |
| 28 | 997 612 673 00 | wiring harness 3-spoke steering wheel with multiple function manual transmission tiptronic | | 1 | I431/I451/ I452/I453 | | | | | | |
| | | - - - E N D - - - | | | | | | | | | |

| | | | | | | | | | | | |
|-------|------|----|----|--------------|--------------|--------|------|------------|---------|-----|---------|
| Model | Year | MG | SG | Illustration | Restrictions | Update | 7:27 | 28.08.2006 | PORSCHE | PET | PORSCHE |
| 997 | 07 | 4 | 03 | 403-06 | | 203 | | | | | |

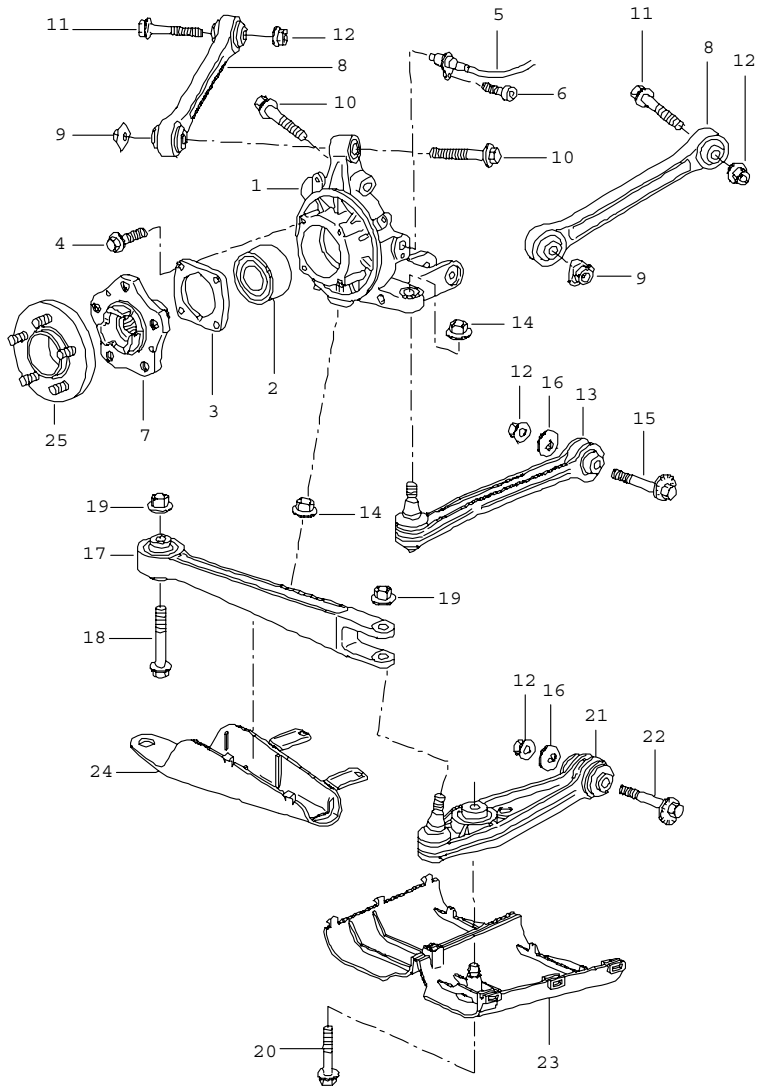


| Pos | Part Number | Name | Remarks | Qty | Model |
|-----|----------------|---|---------|-----|---------------------------------------|
| 1 | 997 803 089 05 | airbag airbag unit 3-spoke steering wheel plastic material emblem coloured | | 1 | I436 |
| | A32 | black | | | |
| | B22 | stone grey | | | |
| | T22 | sand beige | | | |
| | E22 | sea blue | | | |
| | J22 | palmgreen | | | |
| | M22 | terracotta | | | |
| | R32 | cocoa | | | |
| | T32 | brown/natural | | | |
| (1) | 997 803 089 06 | airbag unit 3-spoke steering wheel leather emblem coloured | | 1 | I431/I451/ I452/I453/ I459/I991 |
| | A34 | black | | | |
| | B24 | stone grey | | | |
| | T24 | sand beige | | | |
| | E24 | sea blue | | | |
| | J24 | palmgreen | | | |
| | M24 | terracotta | | | |
| | R24 | cocoa | | | |
| | D14 | dark grey/natural | | | |
| | T34 | brown/natural | | | |
| 2 | 997 803 089 07 | airbag unit sports steering wheel plastic material emblem coloured | | 1 | I435 |
| | A32 | black | | | |
| | B22 | stone grey | | | |

| | | | | | | | | | | | |
|-------|------|----|----|--------------|--------------|--------|------|------------|---------|-----|---------|
| Model | Year | MG | SG | Illustration | Restrictions | Update | | | | | |
| 997 | 07 | 4 | 03 | 403-06 | | 203 | 7:27 | 28.08.2006 | PORSCHE | PET | PORSCHE |

| Pos | Part Number | Name | Remarks | Qty | Model | Pos | Part Number | Name | Remarks | Qty | Model |
|-----|------------------|---|---------|-----|-----------|-----|------------------|--|---------|-----|--------|
| | T22 | sand beige | | | | 7 | 900 378 035 09 | hexagon-head bolt M 6 X 16 | | 6 | |
| | E22 | sea blue | | | | 8 | A 997 618 217 04 | control unit | | 1 | COUPE |
| | J22 | palmgreen | | | | (8) | A 997 618 217 05 | control unit | | 1 | COUPE |
| | M22 | terracotta | | | | (8) | 997 618 217 07 | control unit | | 1 | COUPE |
| | R32 | cocoa | | | | (8) | A 997 618 219 03 | control unit | | 1 | CABRIO |
| | T32 | brown/natural | | | | (8) | 997 618 219 05 | control unit F >>995S7 50295 F >>995S7 60296 | | 1 | CABRIO |
| (2) | 997 803 089 08 | airbag unit sports steering wheel leather emblem coloured | | 1 | I460/I991 | (8) | 997 618 219 07 | control unit F 995S7 50296>> F 995S7 60297>> | | 1 | CABRIO |
| | A34 | black | | | | (8) | 997 618 219 08 | control unit | 06- | 1 | |
| | B24 | stone grey | | | | 9 | 999 070 015 02 | cap nut M 6 | | 3 | |
| | T24 | sand beige | | | | 10 | 997 618 221 00 | sensor side airbag | | 2 | |
| | E24 | sea blue | | | | 11 | 999 084 629 09 | hexagon nut M 6 | | 8 | |
| | J24 | palmgreen | | | | 12 | 997 618 223 00 | acceleration sensor airbag front | | 2 | |
| | M24 | terracotta | | | | | | - - - E N D - - - | | | |
| | R24 | cocoa | | | | | | | | | |
| | D14 | dark grey/natural | | | | | | | | | |
| | T34 | brown/natural | | | | | | | | | |
| 3 | 955 652 211 11 | spring with steering-angle sensor | | 1 | | | | | | | |
| 4 | A 997 803 071 04 | airbag unit passenger's side | | 1 | | | | | | | |
| (4) | 997 803 071 05 | airbag unit passenger's side | | 1 | | | | | | | |
| 5 | 900 378 222 09 | hexagon-head bolt M 6 X 16 | | 4 | | | | | | | |
| 6 | 997 803 091 03 | side airbag for head airbag | /L | 1 | | | | | | | |
| (6) | 997 803 092 03 | side airbag for head airbag | /R | 1 | | | | | | | |

| | | | | | | | | | | | |
|-------|------|----|----|--------------|--------------|--------|------|------------|---------|-----|---------|
| Model | Year | MG | SG | Illustration | Restrictions | Update | 7:27 | 28.08.2006 | PORSCHE | PET | PORSCHE |
| 997 | 07 | 5 | 01 | 501-00 | | 203 | | | | | |

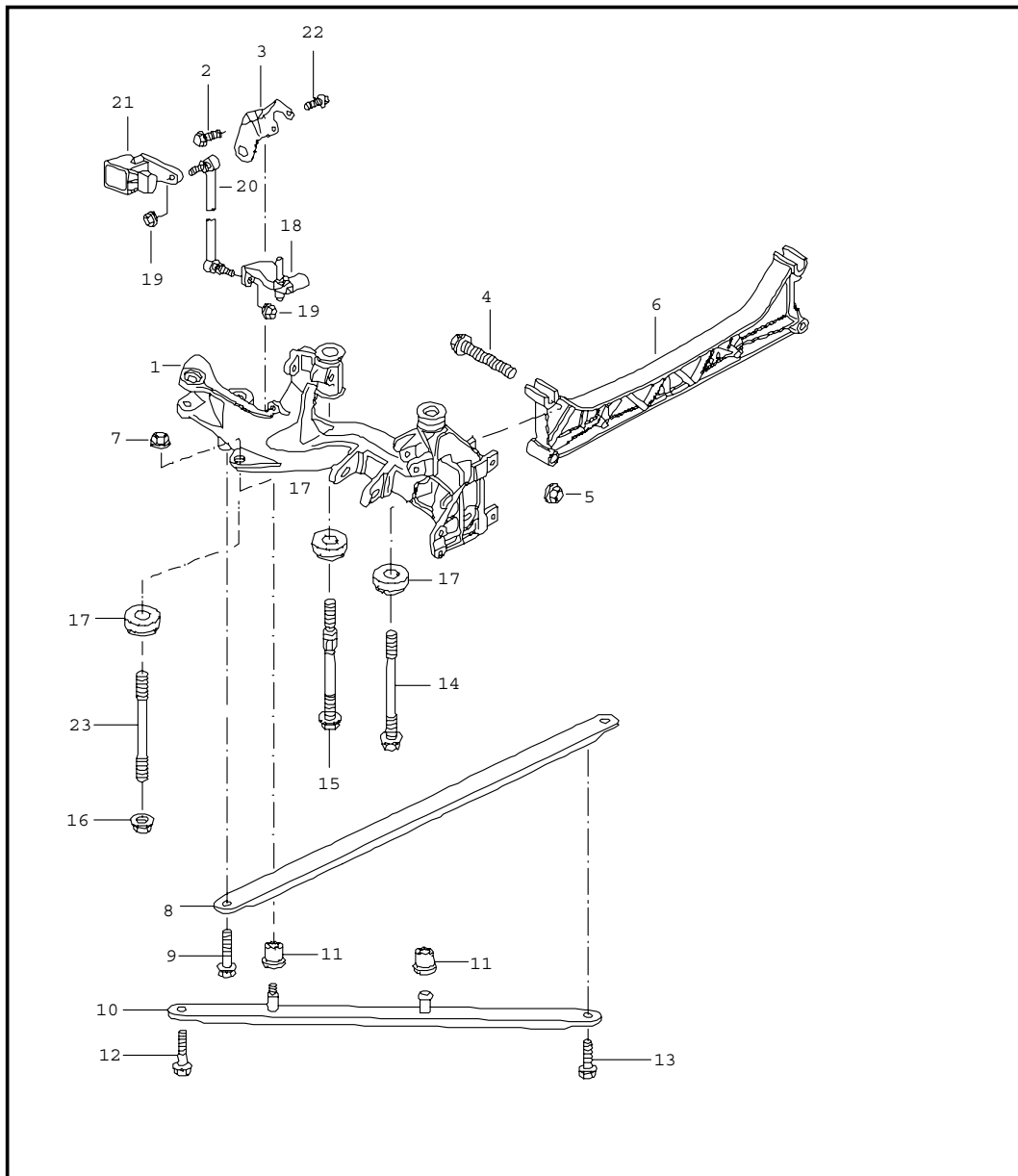


| Pos | Part Number | Name | Remarks | Qty | Model |
|------|----------------|---|---------|-----|--------------------------|
| 1 | 997 331 111 06 | rear axle wheel carrier control arm wheel hub | /L | 1 | CARRERA 2 CARRERA 2-S |
| (1) | 997 331 111 07 | wheel carrier | /L | 1 | CARRERA 4 CARRERA 4-S |
| (1) | 997 331 112 06 | wheel carrier | /R | 1 | CARRERA 2 CARRERA 2-S |
| (1) | 997 331 112 07 | wheel carrier | /R | 1 | CARRERA 4 CARRERA 4-S |
| 2 | 999 053 055 02 | angular-contact bearing | | 2 | |
| 3 | 996 331 661 01 | cover | | 2 | |
| 4 | 999 217 042 09 | hexagon-head bolt M 8 X 35 | | 8 | |
| 5 | 997 606 407 01 | speed sensor | | 2 | |
| 6 | 900 067 117 09 | pan-head screw M 6 X 16 | | 2 | |
| 7 | 997 331 605 00 | wheel hub | | 2 | |
| (8) | 996 331 047 06 | control arm | 05 | 2 | CARRERA 2 CARRERA 2-S |
| (8) | 997 331 047 00 | control arm | 06- | 2 | CARRERA 4 CARRERA 4-S |
| 9 | 999 084 445 09 | lock nut M 12 X 1,5 | | 4 | |
| 10 | 900 378 138 09 | hexagon-head bolt M 12 X 70 | | 4 | |
| 11 | 900 378 165 09 | hexagon-head bolt M 12 X 95 | | 4 | |
| 12 | 999 084 445 09 | lock nut M 12 X 1,5 | | 10 | |
| 13 | 996 331 045 12 | track rod | 05 | 2 | |
| (13) | 997 331 045 04 | track rod | 06- | 2 | |
| 14 | 999 084 449 09 | hexagon nut M 12 X 1,5 | | 4 | |
| 15 | 996 331 217 02 | eccentric screw M 12 X 83 | | 2 | |

| | | | | | | | | | | | |
|-------|------|----|----|--------------|--------------|--------|------|------------|---------|-----|---------|
| Model | Year | MG | SG | Illustration | Restrictions | Update | 7:27 | 28.08.2006 | PORSCHE | PET | PORSCHE |
| 997 | 07 | 5 | 01 | 501-00 | | 203 | | | | | |

| Pos | Part Number | Name | Remarks | Qty | Model | Pos | Part Number | Name | Remarks | Qty | Model |
|------|------------------|---|---------|-----|----------------------------------|-----|-------------|------|---------|-----|-------|
| 16 | 996 331 219 00 | eccentric washer | | 2 | | | | | | | |
| 17 | 997 331 043 01 | control arm | | 2 | | | | | | | |
| 18 | 900 378 051 09 | hexagon-head bolt M 14 X 100 | | 2 | | | | | | | |
| 19 | 900 380 012 09 | hexagon nut M 14 X 1,5 | | 4 | | | | | | | |
| 20 | 900 378 135 09 | hexagon-head bolt M 14 X 75 | | 2 | | | | | | | |
| 21 | 996 341 053 17 | control arm F >>996S7 02239 F >>996S7 51332 F >>996S7 35222 F >>996S7 62833 F >>996S7 02240 F >>996S7 51333 F >>996S7 35223 F >>996S7 62837 | | 2 | | | | | | | |
| 21 | 997 331 053 01 | control arm F 996S7 02240>> F 996S7 51333>> F 996S7 35223>> F 996S7 62834>> F 996S7 02241>> F 996S7 51334>> F 996S7 35224>> F 996S7 62838>> | | 2 | | | | | | | |
| 22 | 996 331 217 03 | eccentric screw | | 2 | | | | | | | |
| 23 | U 997 331 483 01 | lining control arm | 05 | 2 | | | | | | | |
| 24 | U 997 331 485 00 | lining control arm | 05 | 2 | | | | | | | |
| (25) | 996 361 605 90 | spacer ring 5 mm | | 2 | IXRP CARRERA 2 CARRERA 2-S | | | | | | |
| 25 | 996 361 617 00 | spacer ring 17 mm with wheel bolt - - - E N D - - - | | 2 | IXRN CARRERA 4 CARRERA 4-S | | | | | | |

| | | | | | | | | | | | |
|-------|------|----|----|--------------|--------------|--------|------|------------|---------|-----|---------|
| Model | Year | MG | SG | Illustration | Restrictions | Update | | | PORSCHE | PET | PORSCHE |
| 997 | 07 | 5 | 01 | 501-01 | | 203 | 7:27 | 28.08.2006 | | | |

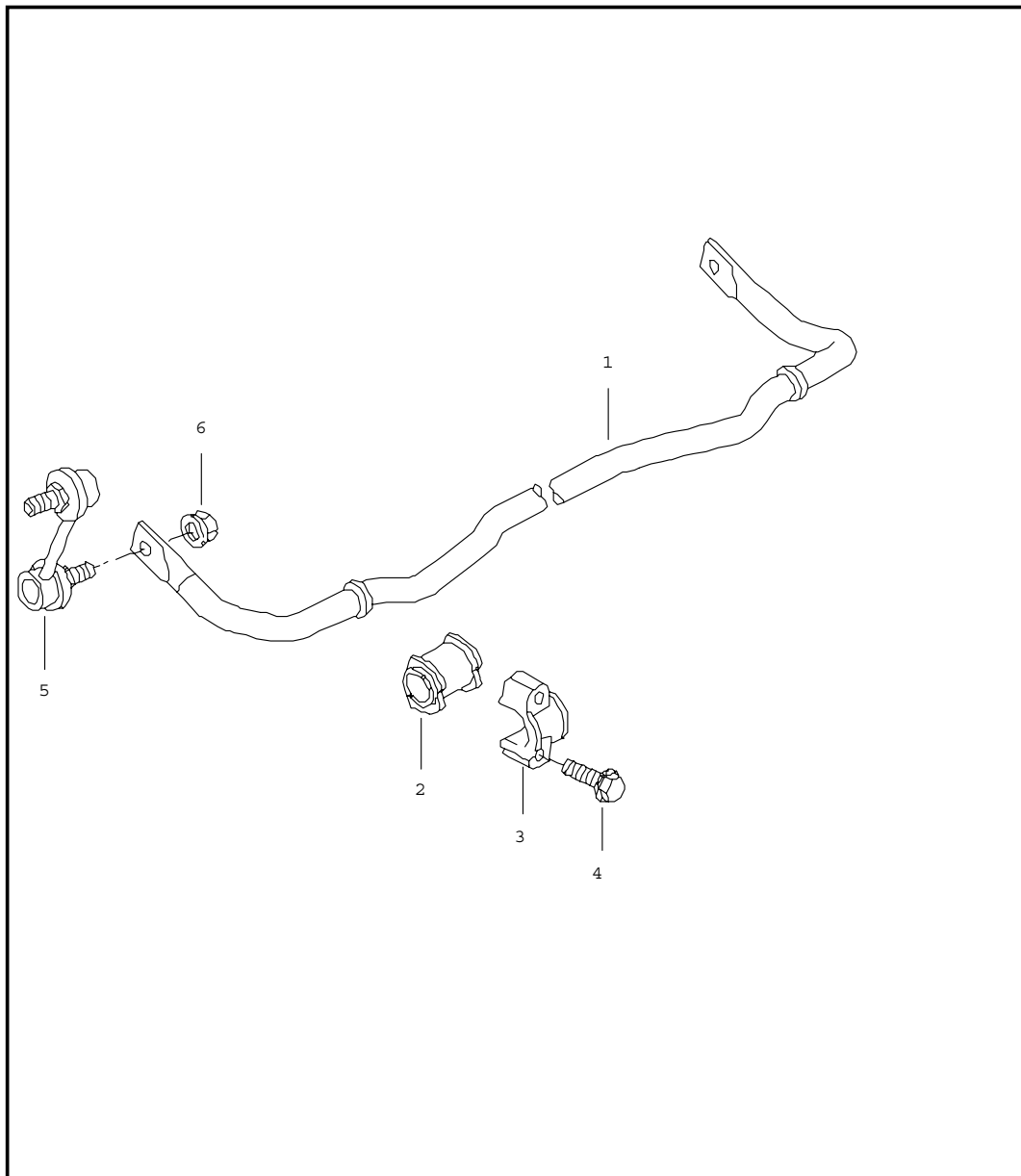


| Pos | Part Number | Name | Remarks | Qty | Model |
|-----|------------------|--|---------|-----|-------|
| | | rear axle side section bracket | | | |
| 1 | A 997 331 051 03 | side section | /L | 1 | |
| (1) | 997 331 051 04 | side section F >>996S7 02032 F >>996S7 51185 F >>996S7 34605 F >>996S7 62460 | /L | 1 | |
| (1) | 997 331 051 05 | side section F 996S7 02033>> F 996S7 51186>> F 996S7 34606>> F 996S7 62461>> | /L | 1 | |
| (1) | A 997 331 052 03 | side section | /R | 1 | |
| (1) | 997 331 052 04 | side section F >>996S7 02032 F >>996S7 51185 F >>996S7 34605 F >>996S7 62460 | /R | 1 | |
| (1) | 997 331 052 05 | side section F 996S7 02033>> F 996S7 51186>> F 996S7 34606>> F 996S7 62461>> | /R | 1 | |
| 2 | 900 067 117 09 | pan-head screw M 6 X 16 | | 2 | |
| 3 | 997 355 505 02 | support for brake hose | /L | 1 | |
| (3) | 997 355 506 02 | support for brake hose | /R | 1 | |
| 4 | 900 378 139 09 | hexagon-head bolt M 12 X 80 | | 4 | |
| 5 | 999 084 445 09 | lock nut M 12 X 1,5 | | 4 | |
| 6 | 996 331 261 10 | cross member | | 1 | |
| 7 | 999 076 053 09 | hexagon nut M 10 | | 2 | |
| 8 | 996 331 171 03 | transverse strut front | | 1 | I480 |

| | | | | | | | | | | | |
|-------|------|----|----|--------------|--------------|--------|------|------------|---------|-----|---------|
| Model | Year | MG | SG | Illustration | Restrictions | Update | | | | | |
| 997 | 07 | 5 | 01 | 501-01 | | 203 | 7:27 | 28.08.2006 | PORSCHE | PET | PORSCHE |

| Pos | Part Number | Name | Remarks | Qty | Model | Pos | Part Number | Name | Remarks | Qty | Model |
|------|----------------|-----------------------------------|---------|-----|-------|-----|-------------|------|---------|-----|-------|
| (8) | 996 331 171 04 | transverse strut front | | 1 | I249 | | | | | | |
| 9 | 999 072 020 09 | hexagon-head bolt M 10 X 40 | | 2 | | | | | | | |
| 10 | 997 331 081 01 | strut | -05 | 2 | | | | | | | |
| (10) | 997 331 081 02 | strut | 06- | 2 | | | | | | | |
| 11 | 996 331 385 00 | rubber mounting | | 6 | | | | | | | |
| 12 | 999 072 031 09 | hexagon-head bolt M 12 X 1,5 X 30 | | 2 | | | | | | | |
| 13 | 900 378 072 09 | hexagon-head bolt M 12 X 30 | | 2 | | | | | | | |
| 14 | 900 178 010 09 | hexagon-head bolt M 12 X 130 | | 2 | | | | | | | |
| 15 | 900 178 010 09 | hexagon-head bolt M 12 X 130 | | 2 | | | | | | | |
| 16 | 999 084 445 09 | lock nut M 12 X 1,5 | | 2 | | | | | | | |
| 17 | 996 331 291 02 | washer | 05 | 6 | | | | | | | |
| (17) | 997 331 291 00 | washer | 06- | 6 | | | | | | | |
| 18 | 996 341 371 03 | support | | 1 | I601 | | | | | | |
| 19 | 900 380 015 09 | hexagon nut VM 6 | | 2 | I601 | | | | | | |
| 20 | 997 331 375 02 | strut | | 1 | I601 | | | | | | |
| 21 | 997 631 121 00 | sensor | | 1 | I601 | | | | | | |
| 22 | N 014 129 12 | oval-head screw | | 2 | I601 | | | | | | |
| 23 | 999 061 103 09 | stud M 12 X 1,5 | | 2 | | | | | | | |
| | | - - - E N D - - - | | | | | | | | | |

| | | | | | | | | | | | |
|-------|------|----|----|--------------|--------------|--------|------|------------|---------|-----|---------|
| Model | Year | MG | SG | Illustration | Restrictions | Update | 7:27 | 28.08.2006 | PORSCHE | PET | PORSCHE |
| 997 | 07 | 5 | 01 | 501-03 | | 203 | | | | | |

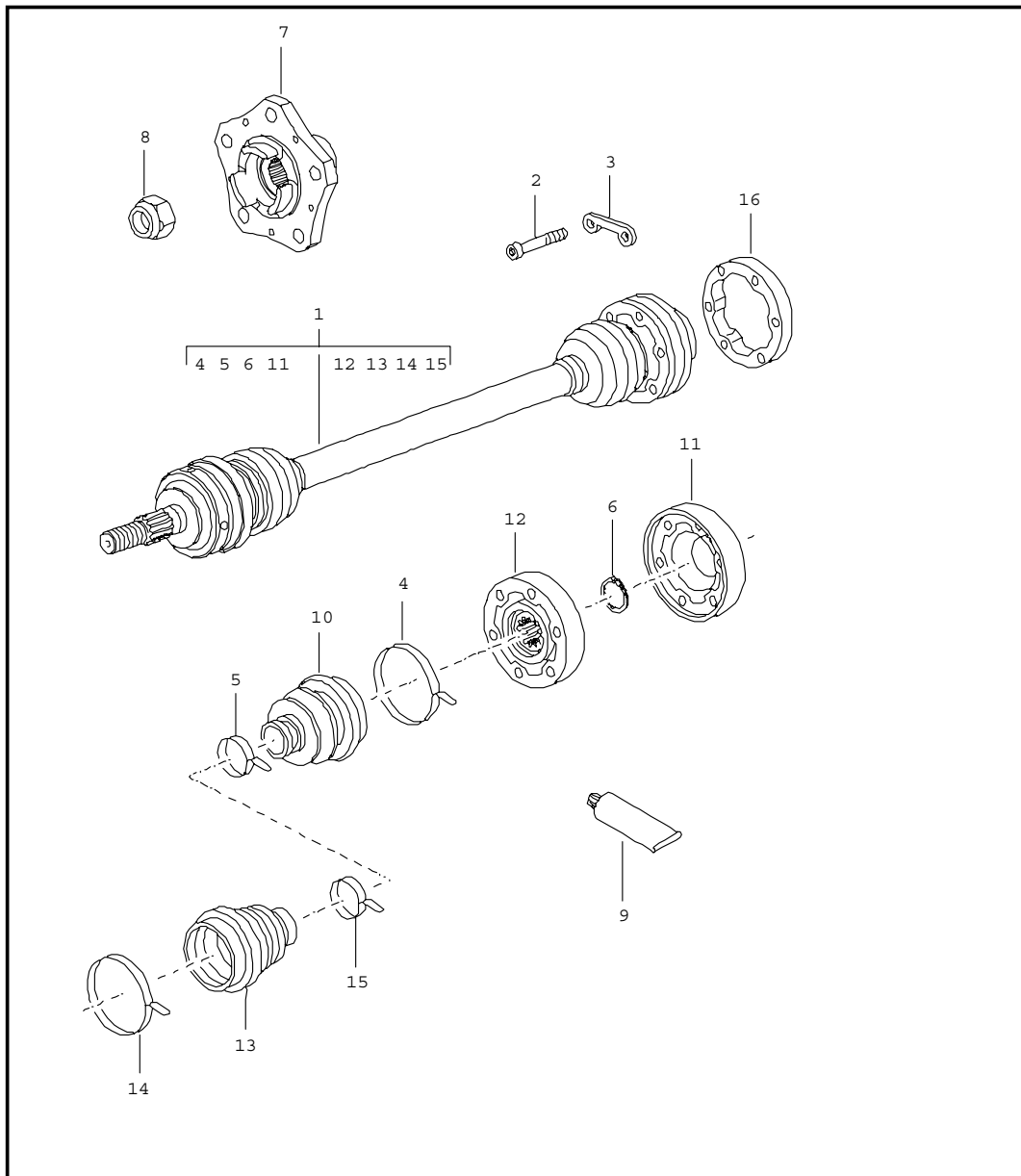


| Pos | Part Number | Name | Remarks | Qty | Model |
|-----|----------------|---------------------|---------|-----|--|
| | | stabiliser | | | |
| 1 | 997 333 701 14 | stabiliser | | 1 | I029 CARRERA 2 |
| (1) | 997 333 701 14 | stabiliser | | 1 | I475 CARRERA 2 |
| (1) | 997 333 701 14 | stabiliser | | 1 | I475/CABRIO CARRERA 2-S |
| (1) | 997 333 701 15 | stabiliser | | 1 | I030/COUPE CARRERA 2 CARRERA 2-S |
| (1) | 997 333 701 15 | stabiliser | | 1 | I475/COUPE CARRERA 2-S |
| (1) | 997 333 701 14 | stabiliser | | 1 | CABRIO CARRERA 4 CARRERA 4-S I249/475 |
| (1) | 997 333 701 15 | stabiliser | | 1 | COUPE CARRERA 4 CARRERA 4-S I030/480 |
| (1) | 997 333 701 16 | stabiliser | | 1 | COUPE CARRERA 4 CARRERA 4-S I475 |
| (1) | 997 333 701 15 | stabiliser | | 1 | CABRIO CARRERA 4 I480 |
| (1) | 997 333 701 16 | stabiliser | | 1 | CABRIO CARRERA 4-S I475/480 |
| (1) | 997 333 701 16 | stabiliser | | 1 | COUPE CARRERA 4 I029 |
| 2 | 996 333 792 24 | stabiliser mounting | | 2 | I029 CARRERA 2 |
| (2) | 996 333 792 24 | stabiliser mounting | | 2 | I475 CARRERA 2 |
| (2) | 996 333 792 24 | stabiliser mounting | | 2 | I475/CABRIO CARRERA 2-S |
| (2) | 996 333 792 25 | stabiliser mounting | | 2 | I030/COUPE CARRERA 2 CARRERA 2-S |

| | | | | | | | | | | | | |
|-------|------|----|----|--------------|--------------|--------|------|------------|--|---------|-----|---------|
| Model | Year | MG | SG | Illustration | Restrictions | Update | | | | PORSCHE | PET | PORSCHE |
| 997 | 07 | 5 | 01 | 501-03 | | 203 | 7:27 | 28.08.2006 | | | | |

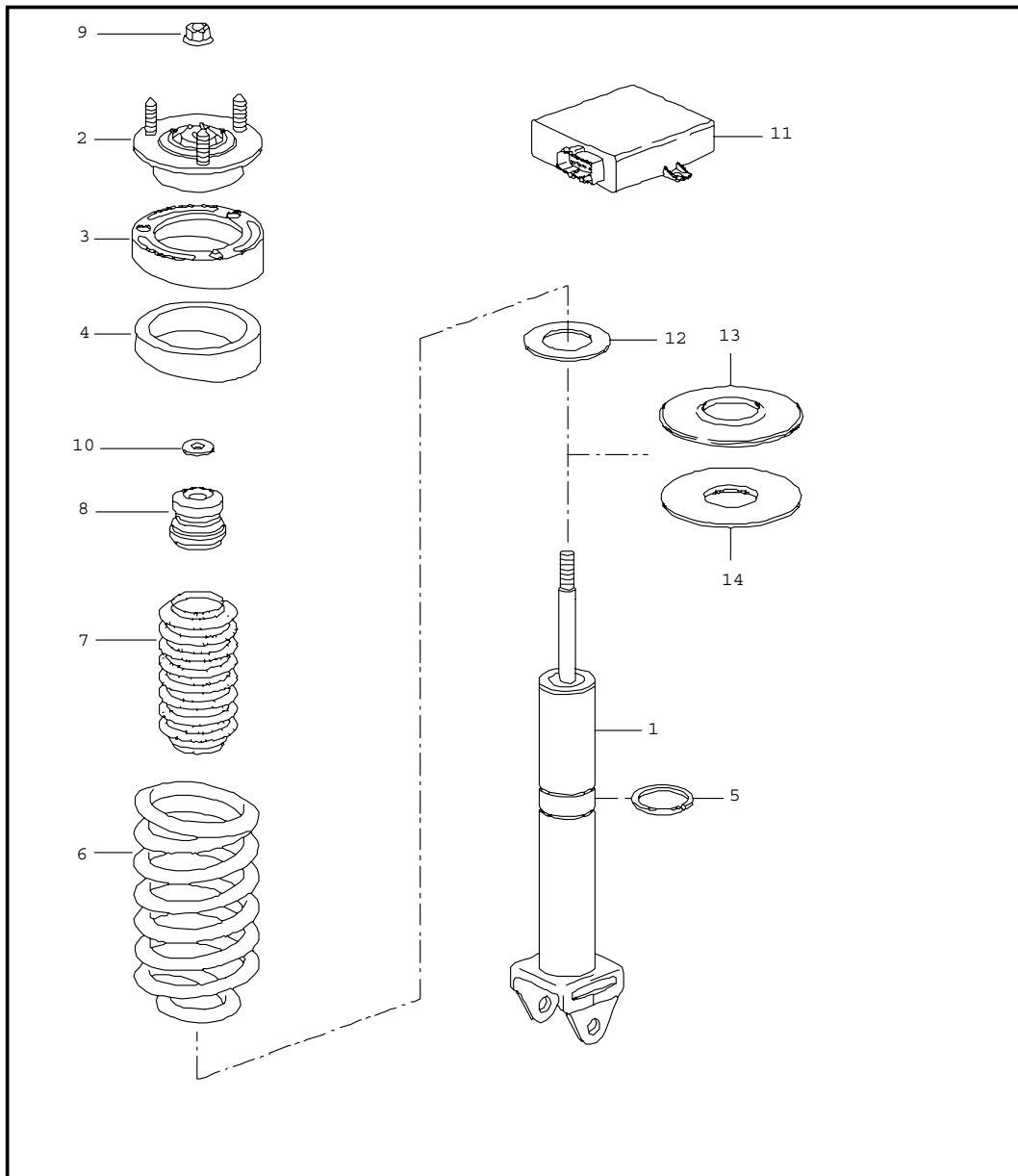
| Pos | Part Number | Name | Remarks | Qty | Model | Pos | Part Number | Name | Remarks | Qty | Model |
|-----|----------------|---|---------|-----|--|-----|----------------|---|---------|-----|-------|
| (2) | 996 333 792 25 | stabiliser mounting | | 2 | I475/COUPE CARRERA 2-S | 6 | 999 084 643 09 | hexagon nut M 10 see technical manual group 4 NR.429019 | | 2 | |
| (1) | 996 333 792 24 | stabiliser mounting | | 2 | CABRIO CARRERA 4 CARRERA 4-S I249/475 | (6) | 999 084 123 09 | hexagon nut M 10 see technical manual group 4 NR.429019 | | 2 | |
| (1) | 996 333 792 25 | stabiliser mounting | | 2 | ?730E CARRERA 4 CARRERA 4-S I030/480 | | | | | | |
| (1) | 996 333 792 26 | stabiliser mounting | | 2 | COUPE CARRERA 4 CARRERA 4-S I475 | | | | | | |
| (1) | 996 333 792 26 | stabiliser mounting | | 2 | CABRIO CARRERA 4 I480 | | | | | | |
| (1) | 996 333 792 26 | stabiliser mounting | | 2 | CABRIO CARRERA 4-S I475/480 | | | | | | |
| (1) | 996 333 792 26 | stabiliser mounting | | 2 | COUPE CARRERA 4 I029 | | | | | | |
| 3 | 996 333 777 01 | clamp | | 2 | | | | | | | |
| 4 | 900 378 055 09 | hexagon-head bolt AM 8 X 40 | | 4 | | | | | | | |
| 5 | 997 333 069 04 | stabiliser mounting see technical manual group 4 NR.429019 | /L | 1 | | | | | | | |
| (5) | 997 333 069 05 | stabiliser mounting see technical manual group 4 NR.429019 | /L | 1 | | | | | | | |
| (5) | 997 333 070 04 | stabiliser mounting see technical manual group 4 NR.429019 | /R | 1 | | | | | | | |
| (5) | 997 333 070 05 | stabiliser mounting see technical manual group 4 NR.429019 | /R | 1 | | | | | | | |

| | | | | | | | | | | | |
|-------|------|----|----|--------------|--------------|--------|------|------------|---------|-----|---------|
| Model | Year | MG | SG | Illustration | Restrictions | Update | 7:28 | 28.08.2006 | PORSCHE | PET | PORSCHE |
| 997 | 07 | 5 | 01 | 501-05 | | 203 | | | | | |



| Pos | Part Number | Name | Remarks | Qty | Model |
|-------------------|----------------|----------------------------------|---------|-----|-------|
| 1 | 997 332 024 02 | drive shaft | | 2 | I480 |
| (1) | 997 332 024 03 | drive shaft | | 2 | I249 |
| 2 | 900 067 229 09 | pan-head screw M 10 X 48,4 | | 12 | I480 |
| (2) | 999 510 043 09 | pan-head screw M 10 X 61 | | 12 | I249 |
| (3) | 996 332 191 00 | plate | | 6 | |
| 4 | 911 332 257 00 | clip 73 MM | | 2 | |
| 5 | 996 332 257 00 | clip 34 MM | | 2 | |
| 6 | 900 041 014 00 | circlip | | 2 | |
| 7 | 997 331 605 00 | wheel hub | | 2 | |
| 8 | 999 084 641 02 | lock nut M 22 X 1,5 | | 2 | |
| 9 | 000 043 110 01 | grease 1 tube 100 g | | X | |
| (9) | 000 043 205 36 | sealing compound 1 tube 100 g | | X | |
| 10 | 996 332 293 00 | dust bellows | | 2 | |
| 11 | 928 332 267 01 | cover | | 2 | |
| 12 | 996 332 030 00 | joint | | 2 | |
| 13 | 996 332 293 00 | dust bellows | | 2 | |
| 14 | 911 332 257 00 | clip | | 2 | |
| 15 | 996 332 257 00 | clip | | 2 | |
| (16) | 996 332 229 01 | spacer ring | | 2 | |
| - - - E N D - - - | | | | | |

| | | | | | | | | | | | |
|-------|------|----|----|--------------|--------------|--------|------|------------|---------|-----|---------|
| Model | Year | MG | SG | Illustration | Restrictions | Update | 7:28 | 28.08.2006 | PORSCHE | PET | PORSCHE |
| 997 | 07 | 5 | 02 | 502-00 | | 203 | | | | | |

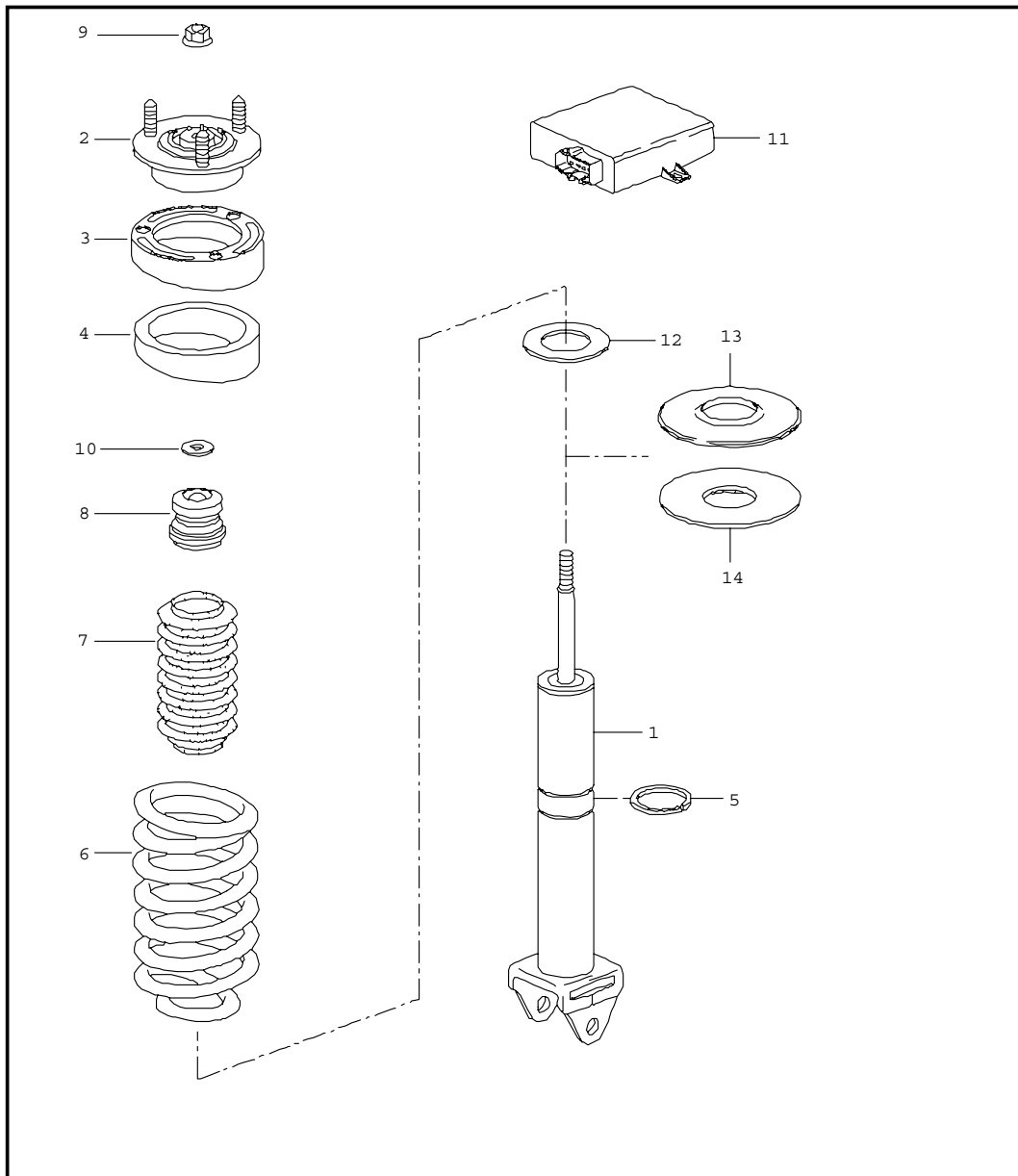


| Pos | Part Number | Name | Remarks | Qty | Model |
|-----|----------------|---|---------|-----|---|
| 1 | 997 333 051 11 | shock absorber coil spring | | 2 | CARRERA 2 CARRERA 2-S |
| (1) | 997 333 051 09 | shock absorber | | 2 | I029 COUPE/CABRIO CARRERA 2 |
| (1) | 997 333 053 20 | shock absorber | | 2 | I030/480 COUPE CARRERA 2 CARRERA 2-S |
| - | 900 378 138 09 | mount shock absorber hexagon-head bolt M 12 X 1,5 X 70 | | 2 | |
| - | 999 084 445 09 | lock nut M 12 X 1,5 | | 2 | |
| 2 | 997 333 061 00 | supporting mount | | 2 | I029 COUPE |
| (2) | 997 333 061 01 | supporting mount | | 2 | I030/480 COUPE CARRERA 2 |
| (2) | 997 333 061 01 | supporting mount | | 2 | I475 COUPE CARRERA 2 |
| (2) | 997 333 061 01 | supporting mount | | 2 | I030/480 COUPE CARRERA 2-S |
| (2) | 997 333 061 03 | supporting mount | | 2 | I029 CABRIO CARRERA 2 |
| (2) | 997 333 061 01 | supporting mount | | 2 | I475 COUPE CARRERA 2-S |
| (2) | 997 333 061 02 | supporting mount | | 2 | I029 CABRIO CARRERA 2 |
| (2) | 997 333 061 02 | supporting mount | | 2 | I475 CABRIO CARRERA 2 CARRERA 2-S |

| | | | | | | | | | | | |
|-------|------|----|----|--------------|--------------|--------|------|------------|---------|-----|---------|
| Model | Year | MG | SG | Illustration | Restrictions | Update | 7:28 | 28.08.2006 | PORSCHE | PET | PORSCHE |
| 997 | 07 | 5 | 02 | 502-00 | | 203 | | | | | |

| Pos | Part Number | Name | Remarks | Qty | Model | Pos | Part Number | Name | Remarks | Qty | Model |
|-----|----------------|------------------------------|---------|-----|---|------|----------------|--------------------------------------|---------|-----|-----------------------------------|
| - | 900 380 008 09 | hexagon nut M 10 | | 6 | | (6) | 997 333 531 49 | coil spring 1 set | | 1 | I030/480 COUPE |
| 3 | 996 333 511 02 | compensating plate 0,5 MM | | X | | | 504 | marked silver blue | | | CARRERA 2 |
| (3) | 996 333 511 03 | compensating plate 4,0 MM | | X | | | | | | | I030/480 CABRIO CARRERA 2-S |
| 4 | 997 333 504 00 | base | | 2 | | 7 | 993 333 107 01 | bellows | | 2 | |
| 5 | 999 152 163 00 | snap ring SW 52 | | 2 | | 8 | 996 333 105 02 | additional spring | | 2 | I029 |
| 6 | 997 333 531 37 | coil spring 1 set | | 1 | I029 COUPE | (8) | 997 333 105 01 | additional spring | | 2 | I475 |
| | 504 | marked violet white | | | CARRERA 2 | 9 | 999 084 050 02 | hexagon nut M 12 X 1 | | 2 | |
| | | | | | I029/480 CABRIO CARRERA 2 | 10 | 999 025 271 02 | washer | | 2 | |
| (6) | 997 333 531 39 | coil spring 1 set | | 1 | I029/249 CABRIO | - | 900 378 138 09 | hexagon-head bolt M 12 X 1,5 X 70 | | 2 | |
| | 504 | marked violet yellow | | | CARRERA 2 | - | 999 084 445 09 | lock nut M 12 X 1,5 | | 2 | |
| (6) | 997 333 531 41 | coil spring 1 set | | 1 | I475 COUPE | 11 A | 997 618 105 03 | control unit shock absorber | 05 | 1 | CARRERA 2 CARRERA 2-S I475 |
| | 504 | marked red white | | | CARRERA 2 | (11) | 997 618 105 04 | control unit shock absorber | 05 | 1 | CARRERA 2 CARRERA 2-S I475 |
| | | | | | I 475/480 CABRIO CARRERA 2 | (11) | 997 618 105 05 | control unit shock absorber | 06- | 1 | CARRERA 2 CARRERA 2-S I475 |
| | | | | | 1 I475 COUPE CARRERA 2 CARRERA 2-S | - | 997 618 205 00 | support for control unit | | 1 | CARRERA 2 CARRERA 2-S I475 |
| | | | | | 1 I475/I480 CABRIO CARRERA 2-S | - | 997 606 111 01 | acceleration sensor body | | 1 | I475 |
| (6) | 997 333 531 43 | coil spring 1 set | | 1 | I475/249 CABRIO | 12 | 997 333 513 00 | concave washer | | 2 | I029 I475 |
| | 504 | marked red yellow | | | CARRERA 2 CARRERA 2-S | 13 | 997 333 523 00 | concave washer | | 2 | I030 |
| | | | | | | 14 | 997 333 513 01 | concave washer | | 2 | I030 |
| | | | | | | | | - - - E N D - - - | | | |

| | | | | | | | | | | | |
|-------|------|----|----|--------------|--------------|--------|------|------------|---------|-----|---------|
| Model | Year | MG | SG | Illustration | Restrictions | Update | 7:28 | 28.08.2006 | PORSCHE | PET | PORSCHE |
| 997 | 07 | 5 | 02 | 502-01 | | 203 | | | | | |

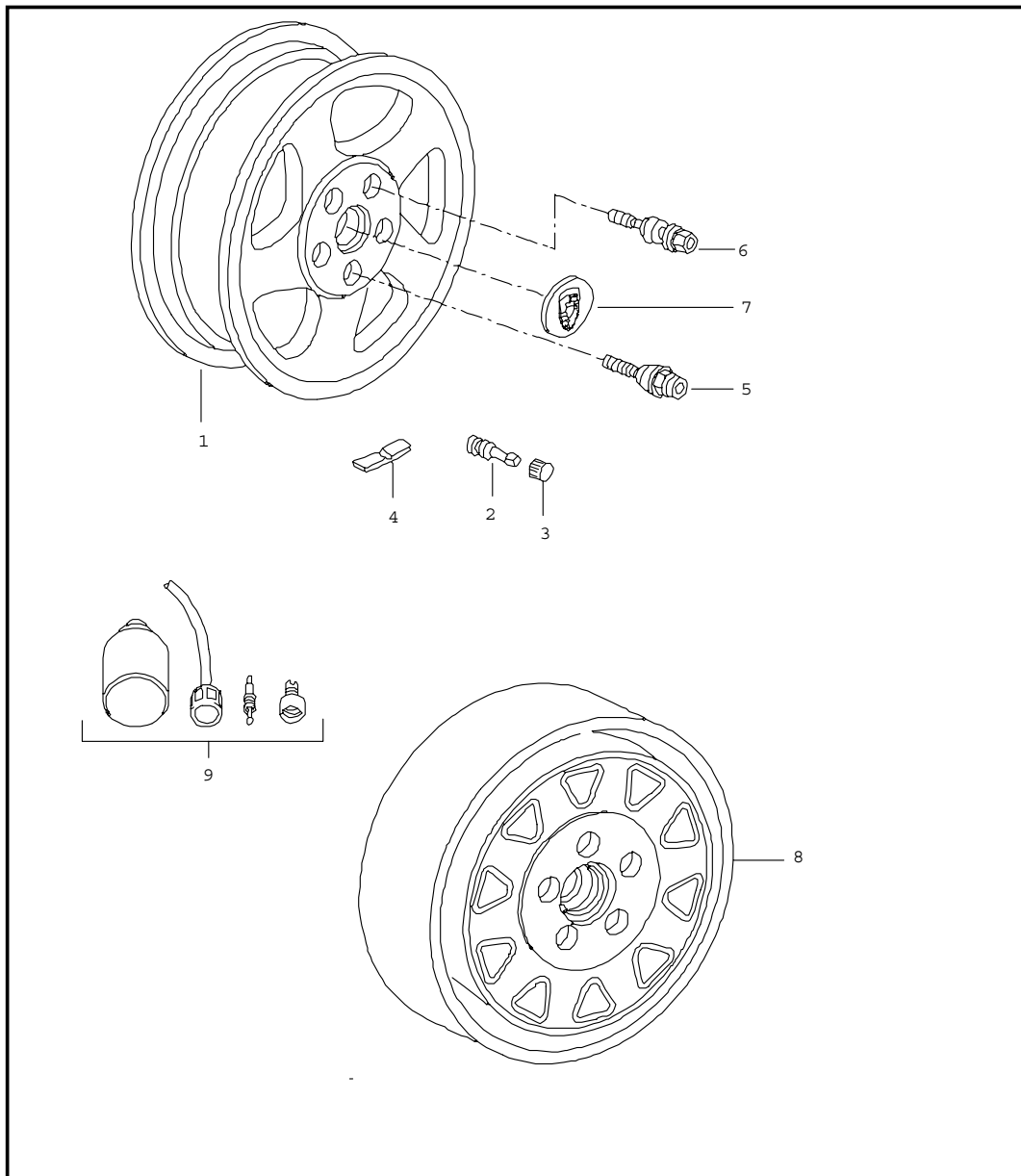


| Pos | Part Number | Name | Remarks | Qty | Model |
|-----|----------------|---|---------|-----|---|
| | | shock absorber coil spring | | | CARRERA 4 CARRERA 4-S |
| (1) | 997 333 051 11 | shock absorber | | 2 | I029 CARRERA 4 |
| (1) | 997 333 051 09 | shock absorber | | 2 | I030/480 CARRERA 4 CARRERA 4-S |
| (1) | 997 333 053 20 | shock absorber | | 2 | I475 CARRERA 4 CARRERA 4-S |
| - | 900 378 138 09 | mount shock absorber hexagon-head bolt M 12 X 1,5 X 70 | | 2 | |
| - | 999 084 445 09 | lock nut M 12 X 1,5 | | 2 | |
| (2) | 997 333 061 00 | supporting mount | | 2 | CARRERA 4 COUPE I029 |
| (2) | 997 333 061 01 | supporting mount | | 2 | CARRERA 4 CARRERA 4-S COUPE I030/480 |
| (2) | 997 333 061 01 | supporting mount | | 2 | CARRERA 4 CARRERA 4-S COUPE I475 |
| (2) | 997 333 061 02 | supporting mount | | 2 | CARRERA 4 CARRERA 4-S CABRIO I475 |
| (2) | 997 333 061 03 | supporting mount | | 2 | CARRERA 4 CABRIO I029 |
| - | 900 380 008 09 | hexagon nut M 10 | | 6 | |
| 3 | 996 333 511 02 | compensating plate 0,5 MM | | X | |
| (3) | 996 333 511 03 | compensating plate 4,0 MM | | X | |
| 4 | 997 333 504 00 | base | | 2 | |

| | | | | | | | | | | | |
|-------|------|----|----|--------------|--------------|--------|------|------------|---------|-----|---------|
| Model | Year | MG | SG | Illustration | Restrictions | Update | 7:28 | 28.08.2006 | PORSCHE | PET | PORSCHE |
| 997 | 07 | 5 | 02 | 502-01 | | 203 | | | | | |

| Pos | Part Number | Name | Remarks | Qty | Model | Pos | Part Number | Name | Remarks | Qty | Model |
|-----|----------------|----------------------------|---------|-----|-----------------------------------|------|----------------|--------------------------------------|---------|-----|----------------------------------|
| 5 | 999 152 163 00 | snap ring SW 52 | | 2 | | (8) | 997 333 105 01 | additional spring | | 2 | I475 |
| (6) | 997 333 531 37 | coil spring 1 set | | 1 | I029 COUPE | 9 | 999 084 050 02 | hexagon nut M 12 X 1 | | 2 | |
| | 504 | marked violet white | | | CARRERA 4 | 10 | 999 025 271 02 | washer | | 2 | |
| | | | | | I029/480 CABRIO CARRERA 4 | - | 900 378 138 09 | mount shock absorber | | | |
| (6) | 997 333 531 39 | coil spring 1 set | | 1 | I029/249 CABRIO | - | 999 084 445 09 | hexagon-head bolt M 12 X 1,5 X 70 | | 2 | |
| | 504 | marked violet yellow | | | CARRERA 4 | - | 999 084 445 09 | lock nut M 12 X 1,5 | | 2 | |
| (6) | 997 333 531 49 | coil spring 1 set | | 1 | I030/480 COUPE | (11) | 997 618 115 03 | control unit shock absorber | 06 | 1 | CARRERA 4 CARRERA 4-S I475 |
| | 504 | marked silver blue | | | CARRERA 4 | (11) | 997 618 115 04 | control unit shock absorber | 07- | 1 | CARRERA 4 CARRERA 4-S I475 |
| | | | | | I030/480 COUPE CARRERA 4-S | (11) | 997 618 115 05 | control unit shock absorber | | 1 | TARGA |
| (6) | 997 333 531 41 | coil spring 1 set | | 1 | I475 COUPE | - | 997 618 205 00 | support for control unit | | 1 | CARRERA 4 CARRERA 4-S I475 |
| | 504 | marked red white | | | CARRERA 4 | - | 997 606 111 01 | acceleration sensor body | | 1 | I475 |
| | | | | | I475/480 CABRIO CARRERA 4 | 12 | 997 333 513 00 | concave washer | | 2 | I029 I475 |
| | | | | | I475 COUPE CARRERA 4-S | 13 | 997 333 523 00 | concave washer | | 2 | I030 |
| | | | | | I475/480 CABRIO CARRERA 4-S | 14 | 997 333 513 01 | concave washer | | 2 | I030 |
| | | | | | | | | - - - E N D - - - | | | |
| (6) | 997 333 531 43 | coil spring 1 set | | 1 | I475/249 CABRIO | | | | | | |
| | 504 | marked red yellow | | | CARRERA 4 | | | | | | |
| | | | | | I475/249 CABRIO CARRERA 4-S | | | | | | |
| 7 | 993 333 107 01 | bellows | | 2 | | | | | | | |
| 8 | 996 333 105 02 | additional spring | | 2 | I029 | | | | | | |

| | | | | | | | | | | | |
|-------|------|----|----|--------------|--------------|--------|------|------------|---------|-----|---------|
| Model | Year | MG | SG | Illustration | Restrictions | Update | 7:28 | 28.08.2006 | PORSCHE | PET | PORSCHE |
| 997 | 07 | 6 | 01 | 601-00 | | 203 | | | | | |



| Pos | Part Number | Name | Remarks | Qty | Model |
|-----|----------------|---|---------|-----|----------------------------------|
| | | wheels | | | |
| 1 | 997 362 136 00 | disc wheel 8 J X 18 ET 57 | /V | 2 | I402 |
| (1) | 997 362 156 00 | disc wheel -BBS- 8 J X 19 ET 57 | /V | 2 | I403 |
| (1) | 997 362 156 06 | disc wheel -RONAL- 8 J X 19 ET 57 | /V | 2 | I403 |
| (1) | 997 362 156 01 | disc wheel 8 J X 19 ET 57 | /V 06- | 2 | I403 CARRERA 4 CARRERA 4-S |
| (1) | 997 362 156 02 | disc wheel 8 J x 19 Et 57 | /V 07- | 2 | I404 |
| (1) | 997 362 156 03 | disc wheel 8 J X 19 ET 57 | /V | 2 | I405 |
| (1) | 997 362 156 04 | disc wheel 8 J X 19 ET 57 | /V | 2 | I407 |
| (1) | 997 362 156 55 | disc wheel 8,5 J x 19 Et 55 | /V | 2 | IXRR |
| (1) | 997 362 140 01 | disc wheel 10 J X 18 ET 58 | /H | 2 | I402 |
| (1) | 997 362 142 00 | disc wheel 11 J X 18 ET 51 -BBS- | /H | 2 | I402 |
| (1) | 997 362 162 01 | disc wheel -BBS- 11 J X 19 ET 67 | /H | 2 | I403 |
| (1) | 997 362 162 08 | disc wheel -RONAL- 11 J X 19 ET 67 | /H | 2 | I403 |
| (1) | 997 362 162 00 | disc wheel 11 J X 19 ET 51 | /H 06- | 2 | I403 CARRERA 4 CARRERA 4-S |

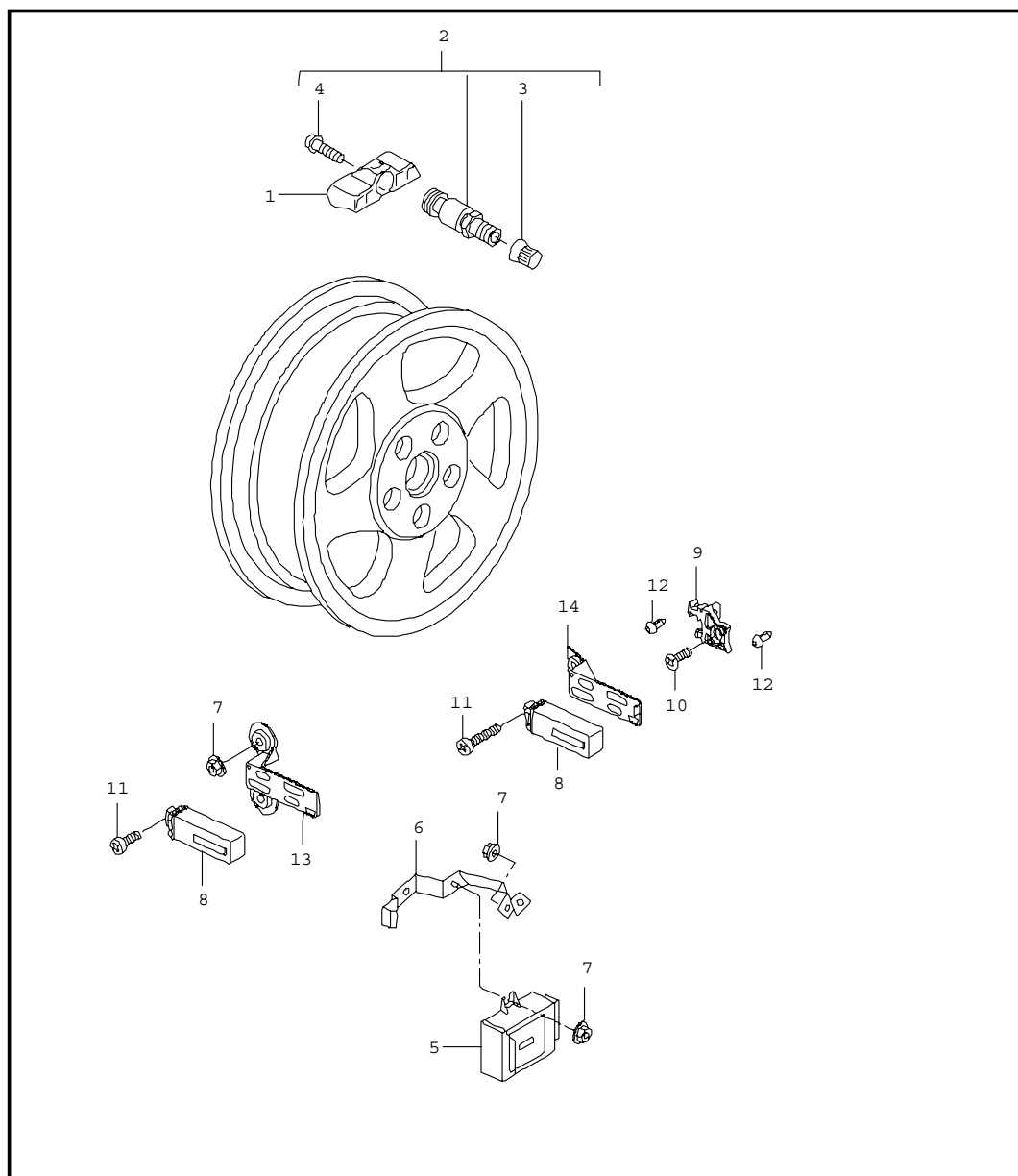
| | | | | | | | | | | | |
|-------|------|----|----|--------------|--------------|--------|------|------------|---------|-----|---------|
| Model | Year | MG | SG | Illustration | Restrictions | Update | 7:28 | 28.08.2006 | PORSCHE | PET | PORSCHE |
| 997 | 07 | 6 | 01 | 601-00 | | 203 | | | | | |

| Pos | Part Number | Name | Remarks | Qty | Model | Pos | Part Number | Name | Remarks | Qty | Model |
|-----|----------------|--|---------|-----|----------------------------------|-----|----------------|---------------------------------------|---------|-----|-------|
| (1) | 997 362 162 04 | disc wheel 11 J X 19 ET 67 | /H | 2 | I405 | (4) | 1K0 601 182 C | balance stick-on weight 20 G. | 05 | X | |
| (1) | 997 362 162 02 | disc wheel 11 J x 19 Et 51 | /H 07- | 2 | I404 | (4) | 997 361 420 00 | balance stick-on weight 20 G. | 06- | X | |
| (1) | 997 362 162 03 | disc wheel 11 J X 19 ET 51 | /H 06- | 2 | I405 CARRERA 4 CARRERA 4-S | (4) | 1K0 601 183 C | balance stick-on weight 25 G. | 05 | X | |
| (1) | 997 362 162 07 | disc wheel 11 J X 19 ET 67 | /H | 2 | I407 | (4) | 997 361 425 00 | balance stick-on weight 25 G. | 06- | X | |
| (1) | 997 362 162 06 | disc wheel 11 J X 19 ET 51 -BBS- | /H | 2 | I407 | (4) | 1K0 601 184 C | balance stick-on weight 30 G. | 05 | X | |
| (1) | 997 362 162 09 | disc wheel 11 J x 19 Et 67 | /H 07- | 2 | I404 CARRERA 2 CARRERA 2-S | (4) | 1K0 601 184 C | balance stick-on weight 30 G. | 06- | X | |
| (1) | 997 362 162 55 | disc wheel 11,5 J x 19 Et 67 | /H | 2 | IXRR | (4) | 997 361 430 00 | balance stick-on weight 30 G. | 05 | X | |
| 2 | 900 265 001 50 | rubber valve rubber | | 4 | | (4) | 1K0 601 185 C | balance stick-on weight 35 G. | 06- | X | |
| (2) | | valve tyre pressure monit. sys. see group 6/01/05 | | 4 | I482/I483 | (4) | 1K0 601 186 C | balance stick-on weight 40 G. | 05 | X | |
| 3 | 955 361 163 00 | cap for rubber valve | | 4 | | (4) | 997 361 440 00 | balance stick-on weight 40 G. | 06- | X | |
| 4 | 1K0 601 178 C | balance stick-on weight 5 G. | 05 | X | | (4) | 1K0 601 187 C | balance stick-on weight 45 G. | 05 | X | |
| (4) | 997 361 405 00 | balance stick-on weight 5.G. | 06- | X | | (4) | 997 361 445 00 | balance stick-on weight 45 G. | 06- | X | |
| (4) | 1K0 601 179 C | balance stick-on weight 10 G. | 05 | X | | (4) | 1K0 601 188 C | balance stick-on weight 50 G. | 05 | X | |
| (4) | 997 361 410 00 | balance stick-on weight 10 G. | 06- | X | | (4) | 997 361 450 00 | balance stick-on weight 50 G. | 06- | X | |
| (4) | 1K0 601 181 C | balance stick-on weight 15 G. | 05 | X | | (4) | 1K0 601 189 C | balance stick-on weight 55 G. | 05 | X | |
| (4) | 997 361 415 00 | balance stick-on weight 15 G. | 06- | X | | (4) | 997 361 455 00 | balance stick-on weight 55 G. | 06- | X | |
| | | | | | | (4) | 1K0 601 190 C | balance stick-on weight 60 G. | 05 | X | |
| | | | | | | (4) | 997 361 460 00 | balance stick-on weight 60 G. | 06- | X | |
| | | | | | | 5 | 996 361 057 02 | set anti-theft protection 1 set | | 1 | |

| | | | | | | | | | | | | |
|-------|------|----|----|--------------|--------------|--------|------|------------|--|---------|-----|---------|
| Model | Year | MG | SG | Illustration | Restrictions | Update | | | | PORSCHE | PET | PORSCHE |
| 997 | 07 | 6 | 01 | 601-00 | | 203 | 7:28 | 28.08.2006 | | | | |

| Pos | Part Number | Name | Remarks | Qty | Model | Pos | Part Number | Name | Remarks | Qty | Model |
|-------|----------------|---|---------|-----|----------------------------------|-----|-------------|------|---------|-----|-------|
| (5) | 996 361 980 02 | set anti-theft protection 1 set | | 1 | IXRP | | | | | | |
| (5) | 997 361 057 00 | set anti-theft protection 1 set | | 1 | I444 (GB) | | | | | | |
| (5) | 997 361 980 00 | set anti-theft protection 1 set | | 1 | I444/IXRP (GB) | | | | | | |
| 6 | 996 361 203 02 | wheel bolt | | 16 | | | | | | | |
| (6) | 996 361 980 00 | wheel bolt | | 16 | IXRP | | | | | | |
| - | 999 182 006 31 | wheel nut | | 20 | IXRN CARRERA 4 CARRERA 4-S | | | | | | |
| 7 | 955 361 303 00 | hub cap emblem black | | 4 | | | | | | | |
| | 9A1 | silver | | | | | | | | | |
| (7) | 955 361 303 05 | hub cap emblem coloured | | 4 | I446 | | | | | | |
| | 9A1 | silver | | | | | | | | | |
| (7) | 997 361 303 01 | hub cap emblem coloured silver | | 4 | IXRR/I446 | | | | | | |
| (7) | 997 361 305 00 | hub cap | 07- | 4 | I404 | | | | | | |
| 8 | 996 362 020 03 | emergency wheel | | 1 | I447 | | | | | | |
| - | 996 361 521 00 | boot for emergency wheel | | 1 | I447 | | | | | | |
| - | 999 914 001 40 | plastic gloves | | X | I447 | | | | | | |
| 9 | 955 722 631 00 | compressed air bottle | | 1 | | | | | | | |
| (9) A | 997 652 053 00 | compressor for emergency wheel | | 1 | | | | | | | |
| (9) | 997 652 053 01 | compressor for emergency wheel | | 1 | | | | | | | |
| | | - - - E N D - - - | | | | | | | | | |

| | | | | | | | | | | | |
|-------|------|----|----|--------------|--------------|--------|------|------------|---------|-----|---------|
| Model | Year | MG | SG | Illustration | Restrictions | Update | 7:28 | 28.08.2006 | PORSCHE | PET | PORSCHE |
| 997 | 07 | 6 | 01 | 601-05 | | 203 | | | | | |

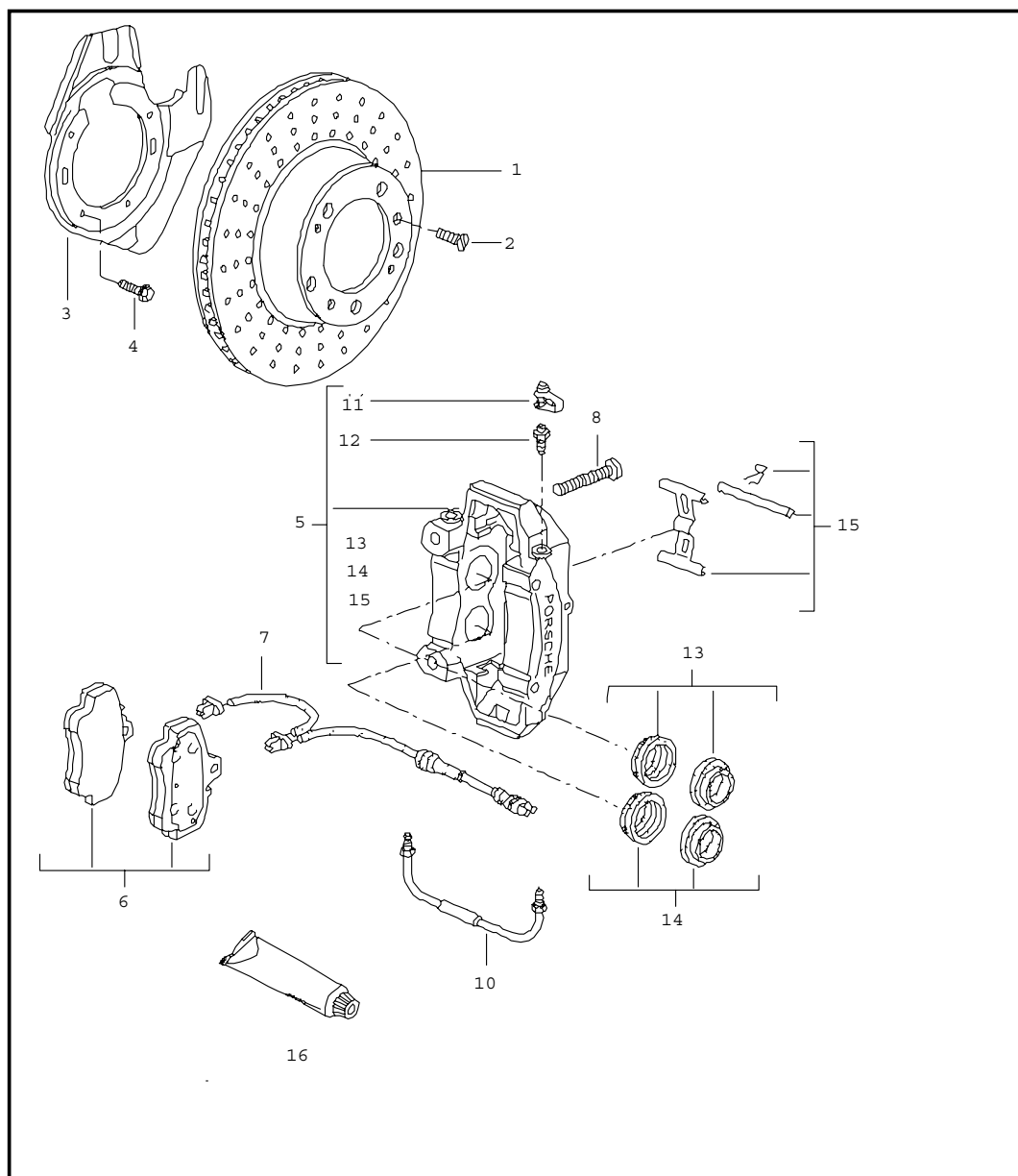


| Pos | Part Number | Name | Remarks | Qty | Model |
|-----|----------------|--|---------|-----|--------------------------|
| | | tyre pressure monit. sys. | | | I482/I483 |
| 1 | 997 606 021 00 | sensor tyre pressure gauge use also: 955.361.053.00 | | 4 | I482 |
| (1) | 997 606 023 00 | sensor tyre pressure gauge use also: 955.361.053.00 | | 4 | I483 |
| (1) | 997 606 025 00 | sensor tyre pressure gauge use also: 955.361.053.00 | | 4 | I483 I074/I193 |
| 2 | 955 361 053 00 | valve aluminium | | 4 | |
| 3 | N 908 729 01 | cap | | 4 | |
| 4 | 4D0 601 365 | fastening screw | | 4 | |
| 5 | 997 618 103 05 | control unit F >>995S7 60077 | | 1 | CARRERA 2 CARRERA 2-S |
| (5) | 997 618 103 06 | control unit F 995S7 60078>> | | 1 | CARRERA 2 CARRERA 2-S |
| (5) | 997 618 103 06 | control unit | | 1 | CARRERA 4 CARRERA 4-S |
| 6 | 997 618 203 00 | support control unit | | 1 | |
| 7 | 999 076 081 40 | plastic nut T5 16 X 11, 2 | | 7 | |
| 8 | 997 606 101 00 | antenna 433 MHZ use also: rear axle clip 997.606.225.00 | | 4 | I482 |
| (8) | 997 606 103 00 | antenna 315 MHZ use also: rear axle clip 997.606.225.00 | | 4 | I483 |

| | | | | | | | | | | | |
|-------|------|----|----|--------------|--------------|--------|------|------------|---------|-----|---------|
| Model | Year | MG | SG | Illustration | Restrictions | Update | | | | | |
| 997 | 07 | 6 | 01 | 601-05 | | 203 | 7:28 | 28.08.2006 | PORSCHE | PET | PORSCHE |

| Pos | Part Number | Name | Remarks | Qty | Model | Pos | Part Number | Name | Remarks | Qty | Model |
|-----|----------------|--|---------|-----|-------|-----|-------------|------|---------|-----|-------|
| 9 | 997 606 225 00 | clip for antenna rear axle | | 2 | | | | | | | |
| 10 | 999 919 121 09 | oval-head screw M 5 X 16 | | 2 | | | | | | | |
| 11 | 999 919 023 09 | oval-head screw M 5 X 35 | | 4 | | | | | | | |
| 12 | N 105 168 01 | expander nut ST 4,8 | | 4 | | | | | | | |
| 13 | 997 606 141 00 | support antenna front | | 2 | | | | | | | |
| 14 | 997 606 131 00 | support antenna rear axle | | 2 | | | | | | | |
| - | 997 652 053 01 | compressor guide emergency wheel | | 1 | | | | | | | |
| | | - - - E N D - - - | | | | | | | | | |

| | | | | | | | | | | | |
|-------|------|----|----|--------------|--------------|--------|------|------------|---------|-----|---------|
| Model | Year | MG | SG | Illustration | Restrictions | Update | 7:29 | 28.08.2006 | PORSCHE | PET | PORSCHE |
| 997 | 07 | 6 | 02 | 602-00 | | 203 | | | | | |



| Pos | Part Number | Name | Remarks | Qty | Model |
|-----|----------------|---|---------|-----|--------------------------|
| | | disc brake front axle | | | CARRERA 2 CARRERA 2-S |
| 1 | 996 351 405 01 | brake disc | /L | 1 | CARRERA 2 |
| (1) | 996 351 409 02 | brake disc | /L | 1 | CARRERA 2-S |
| (1) | 996 351 031 03 | brake disc | /L | 1 | I450 |
| (1) | 996 351 406 01 | brake disc | /R | 1 | CARRERA 2 |
| (1) | 996 351 410 02 | brake disc | /R | 1 | CARRERA 2-S |
| (1) | 996 351 032 03 | brake disc | /R | 1 | I450 |
| 2 | 900 269 047 09 | countersunk-head screw M 6 X 12 | | 4 | |
| 3 | 997 351 801 02 | cover plate | /L | 1 | CARRERA 2 |
| (3) | 997 351 805 04 | cover plate | /L | 1 | CARRERA 2-S |
| (3) | 997 351 805 05 | cover plate | /L | 1 | I450 |
| (3) | 997 351 802 02 | cover plate | /R | 1 | CARRERA 2 |
| (3) | 997 351 806 04 | cover plate | /R | 1 | CARRERA 2-S |
| (3) | 997 351 806 05 | cover plate | /R | 1 | I450 |
| 4 | 999 217 116 09 | hexagon-head bolt M 6 X 16 | | X | |
| 5 | 997 351 421 00 | fixed calliper without pad | /L | 1 | CARRERA 2 |
| (5) | 996 351 429 10 | fixed calliper without pad | /L | 1 | CARRERA 2-S |
| (5) | 996 351 431 30 | fixed calliper without pad | /L | 1 | I450 |
| (5) | 997 351 422 00 | fixed calliper without pad | /R | 1 | CARRERA 2 |
| (5) | 996 351 430 10 | fixed calliper without pad | /R | 1 | CARRERA 2-S |
| (5) | 996 351 432 30 | fixed calliper without pad | /R | 1 | I450 |
| (6) | 997 351 939 03 | set of brake pads use also: mounting parts use also: 1 x 997.612.756.00 1 x 997.612.759.00 | | 1 | CARRERA 2 |

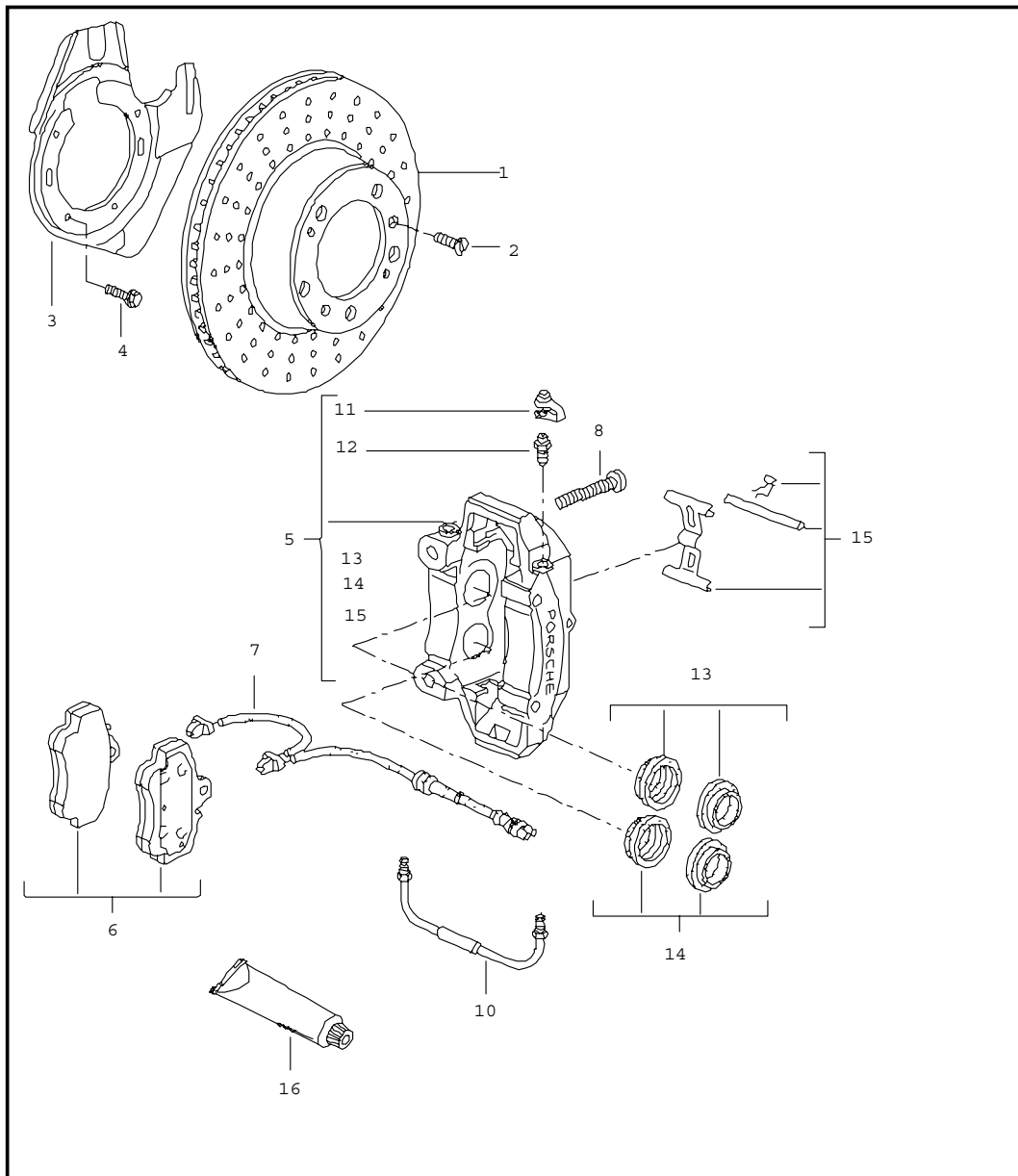
| | | | | | | | | | | | |
|-------|------|----|----|--------------|--------------|--------|------|------------|---------|-----|---------|
| Model | Year | MG | SG | Illustration | Restrictions | Update | 7:29 | 28.08.2006 | PORSCHE | PET | PORSCHE |
| 997 | 07 | 6 | 02 | 602-00 | | 203 | | | | | |

| Pos | Part Number | Name | Remarks | Qty | Model | Pos | Part Number | Name | Remarks | Qty | Model |
|-----|----------------|---|---------|-----|-------------|------|----------------|---|---------|-----|-------------|
| (6) | 996 351 949 12 | set of brake pads use also: mounting parts use also: 1 x 997.612.757.00 1 x 997.612.678.00 | | 1 | CARRERA 2-S | - | 944 612 627 00 | holder for warning contact | | 3 | |
| (6) | 996 351 947 01 | set of brake pads see technical manual group 46 34 20 use also: mounting parts use also: 1 x 997.612.675.01 1 x 997.612.679.00 F >>996S7 34958 F >>996S7 62734 F >>996S7 02380 | | 1 | I450 | 8 | 999 067 041 09 | pan-head screw M 12 X 1,5 X 72 | | 4 | CARRERA 2 |
| | | | | | | (8) | 999 067 050 09 | pan-head screw M 12 X 1,5 X 77 | | 4 | CARRERA 2-S |
| | | | | | | (8) | 999 067 047 09 | pan-head screw M 12 X 1,5 X 85 | | 4 | I450 |
| | | | | | | (10) | 996 351 961 11 | connecting line | /L | 1 | |
| | | | | | | (10) | 996 351 962 11 | connecting line | /R | 1 | |
| | | | | | | (10) | 996 351 961 30 | connecting line | | 2 | I450 |
| (6) | 997 351 948 00 | set of brake pads see technical manual group 46 34 20 use also: mounting parts use also: 1 x 997.612.675.01 1 x 997.612.679.00 F 996S7 34959>> F 996S7 62735>> F 996S7 02381>> | | 1 | I450 | 11 | 930 351 927 00 | dust boot | | 2 | |
| | | | | | | 12 | 930 351 919 00 | ventilation valve | | 2 | |
| | | | | | | 13 | 951 351 917 01 | repair kit protection caps 40 MM | | X | CARRERA 2 |
| | | | | | | 14 | 951 351 917 00 | repair kit protection caps 36 MM | | X | CARRERA 2 |
| | | | | | | (13) | 928 351 917 00 | repair kit protection caps 44 mm repair kit | | X | CARRERA 2-S |
| - | 996 351 088 01 | damping plate | | 4 | CARRERA 2 | | | | | | CARRERA 2-S |
| - | 996 351 089 00 | damping plate | | 4 | CARRERA 2-S | | | | | | |
| - | 996 352 086 01 | damping plate see technical manual group 46 34 20 F >>996S7 34958 F >>996S7 62734 F >>996S7 02380 | | 12 | I450 | (14) | 951 351 917 00 | repair kit protection caps 36 mm | | X | |
| | | | | | | - | 996 351 915 01 | repair kit protection caps 38 MM | | X | I450 |
| (7) | 997 612 756 00 | warning contact | /L | 1 | CARRERA 2 | - | 996 351 915 00 | repair kit protection caps 32 MM | | X | I450 |
| (7) | 997 612 759 00 | warning contact | /R | 1 | CARRERA 2 | | | | | | |
| (7) | 997 612 757 00 | warning contact | /L | 1 | CARRERA 2-S | - | 951 352 917 00 | repair kit protection caps 28 MM | | X | I450 |
| (7) | 997 612 678 00 | warning contact | /R | 1 | CARRERA 2-S | | | | | | |
| (7) | 997 612 675 01 | warning contact | /L | 1 | I450 | (15) | 955 352 960 00 | repair kit mounting parts bolt expanding spring securing clip | | X | CARRERA 2 |
| (7) | 997 612 679 00 | warning contact | /R | 1 | I450 | | | | | | |
| - | 999 507 464 40 | support | | 2 | | | | | | | |

| | | | | | | | | | | | |
|-------|------|----|----|--------------|--------------|--------|------|------------|---------|-----|---------|
| Model | Year | MG | SG | Illustration | Restrictions | Update | | | | | |
| 997 | 07 | 6 | 02 | 602-00 | | 203 | 7:29 | 28.08.2006 | PORSCHE | PET | PORSCHE |

| Pos | Part Number | Name | Remarks | Qty | Model | Pos | Part Number | Name | Remarks | Qty | Model |
|------|----------------|---|---------|-----|-------------|-----|-------------|------|---------|-----|-------|
| (15) | 996 351 959 11 | repair kit mounting parts bolt expanding spring securing clip | | 1 | CARRERA 2-S | | | | | | |
| (15) | 996 351 959 30 | repair kit mounting parts bolt expanding spring securing clip | | 1 | I450 | | | | | | |
| 16 | 000 043 117 00 | brake cylinder paste 50 G | | X | | | | | | | |
| 16 | 000 043 020 00 | optimoly 100 G | | X | | | | | | | |
| | | - - - E N D - - - | | | | | | | | | |

| | | | | | | | | | | | |
|-------|------|----|----|--------------|--------------|--------|------|------------|---------|-----|---------|
| Model | Year | MG | SG | Illustration | Restrictions | Update | 7:29 | 28.08.2006 | PORSCHE | PET | PORSCHE |
| 997 | 07 | 6 | 02 | 602-01 | | 203 | | | | | |



| Pos | Part Number | Name | Remarks | Qty | Model |
|-----|----------------|--|---------|-----|--------------------------|
| | | disc brake front axle | | | CARRERA 4 CARRERA 4-S |
| 1 | 996 351 405 01 | brake disc | /L | 1 | CARRERA 4 |
| (1) | 996 351 409 02 | brake disc | /L | 1 | CARRERA 4-S |
| (1) | 996 351 031 04 | brake disc | /L | 1 | I450 |
| (1) | 996 351 406 01 | brake disc | /R | 1 | CARRERA 4 |
| (1) | 996 351 410 02 | brake disc | /R | 1 | CARRERA 4-S |
| (1) | 996 351 032 04 | brake disc | /R | 1 | I450 |
| 2 | 900 269 047 09 | countersunk-head screw M 6 X 12 | | 4 | |
| (3) | 997 351 805 00 | protective plate | /L | 1 | CARRERA 4 |
| (3) | 997 351 805 04 | cover plate | /L | 1 | CARRERA 4-S |
| (3) | 997 351 805 05 | cover plate | /L | 1 | I450 |
| (3) | 997 351 806 00 | protective plate | /R | 1 | CARRERA 4 |
| (3) | 997 351 806 04 | cover plate | /R | 1 | CARRERA 4-S |
| (3) | 997 351 806 05 | cover plate | /R | 1 | I450 |
| 4 | 999 217 116 09 | hexagon-head bolt M 6 X 16 | | X | |
| 5 | 997 351 421 00 | fixed calliper without pad | /L | 1 | CARRERA 4 |
| (5) | 996 351 429 10 | fixed calliper without pad | /L | 1 | CARRERA 4-S |
| (5) | 996 351 431 30 | fixed calliper without pad | /L | 1 | I450 |
| (5) | 997 351 422 00 | fixed calliper without pad | /R | 1 | CARRERA 4 |
| (5) | 996 351 430 10 | fixed calliper without pad | /R | 1 | CARRERA 4-S |
| (5) | 996 351 432 30 | fixed calliper without pad | /R | 1 | I450 |
| (6) | 997 351 939 04 | set of brake pads use also: mounting parts | | 1 | CARRERA 4 |
| (6) | 996 351 949 12 | set of brake pads use also: mounting parts | | 1 | CARRERA 4-S |

| | | | | | | | | | | | |
|-------|------|----|----|--------------|--------------|--------|------|------------|---------|-----|---------|
| Model | Year | MG | SG | Illustration | Restrictions | Update | 7:29 | 28.08.2006 | PORSCHE | PET | PORSCHE |
| 997 | 07 | 6 | 02 | 602-01 | | 203 | | | | | |

| Pos | Part Number | Name | Remarks | Qty | Model | Pos | Part Number | Name | Remarks | Qty | Model |
|------|----------------|---|---------|-----|-------------|------|----------------|---|---------|-----|-------------|
| (6) | 996 351 947 01 | set of brake pads see technical manual group 46 36 19 use also: mounting parts F >>996S7 34934 F >>996S7 62658 | | 1 | I450 | 12 | 930 351 919 00 | ventilation valve | | 2 | |
| | | | | | | 13 | 951 351 917 01 | repair kit protection caps 40 MM | | X | CARRERA 4 |
| | | | | | | 14 | 951 351 917 00 | repair kit protection caps 36 MM | | X | CARRERA 4 |
| (6) | 997 351 948 00 | set of brake pads see technical manual group 46 36 19 use also: mounting parts F 996S7 34940>> F 996S7 62659>> | | 1 | I450 | (13) | 928 351 917 00 | repair kit protection caps 44 mm | | X | CARRERA 4-S |
| | | | | | | (14) | 951 351 917 00 | repair kit protection caps 36 mm | | X | CARRERA 4-S |
| - | 996 351 088 01 | damping plate | | 4 | CARRERA 4 | - | 996 351 915 01 | repair kit protection caps 38 MM | | X | I450 |
| - | 996 351 089 00 | damping plate | | 4 | CARRERA 4-S | | | | | | |
| - | 996 352 086 01 | damping plate see technical manual group 46 36 19 F >>996S7 34934 F >>996S7 62658 | | 12 | I450 | - | 996 351 915 00 | repair kit protection caps 32 MM | | X | I450 |
| | | | | | | - | 951 351 917 00 | repair kit protection caps 28 MM | | X | I450 |
| 7 | 997 612 677 00 | warning contact | | 2 | CARRERA 4 | (15) | 955 352 960 00 | repair kit mounting parts bolt expanding spring securing clip | | X | CARRERA 4 |
| (7) | 997 612 680 00 | warning contact | | 2 | CARRERA 4-S | | | | | | |
| (7) | 997 612 677 00 | warning contact | | 2 | I450 | | | | | | |
| - | 999 507 464 40 | support | | 2 | | (15) | 996 351 959 11 | repair kit mounting parts bolt expanding spring securing clip | | 1 | CARRERA 4-S |
| - | 944 612 627 00 | holder for warning contact | | 3 | | | | | | | |
| 8 | 999 067 041 09 | pan-head screw M 12 X 1,5 X 72 | | 4 | CARRERA 4 | (15) | 996 351 959 30 | repair kit mounting parts bolt expanding spring securing clip | | 1 | I450 |
| (8) | 999 067 050 09 | pan-head screw M 12 X 1,5 X 77 | | 4 | CARRERA 4-S | | | | | | |
| (8) | 999 067 047 09 | pan-head screw M 12 X 1,5 X 85 | | 4 | I450 | 16 | 000 043 117 00 | brake cylinder paste 50 G | | X | |
| (10) | 996 351 961 11 | connecting line | /L | 1 | | 16 | 000 043 020 00 | optimoly 100 G | | X | |
| (10) | 996 351 962 11 | connecting line | /R | 1 | | | | | | | |
| (10) | 996 351 961 30 | connecting line | | 2 | I450 | | | | | | |
| 11 | 930 351 927 00 | dust boot | | 2 | | | | | | | |
| | | | | | | | | - - - E N D - - - | | | |

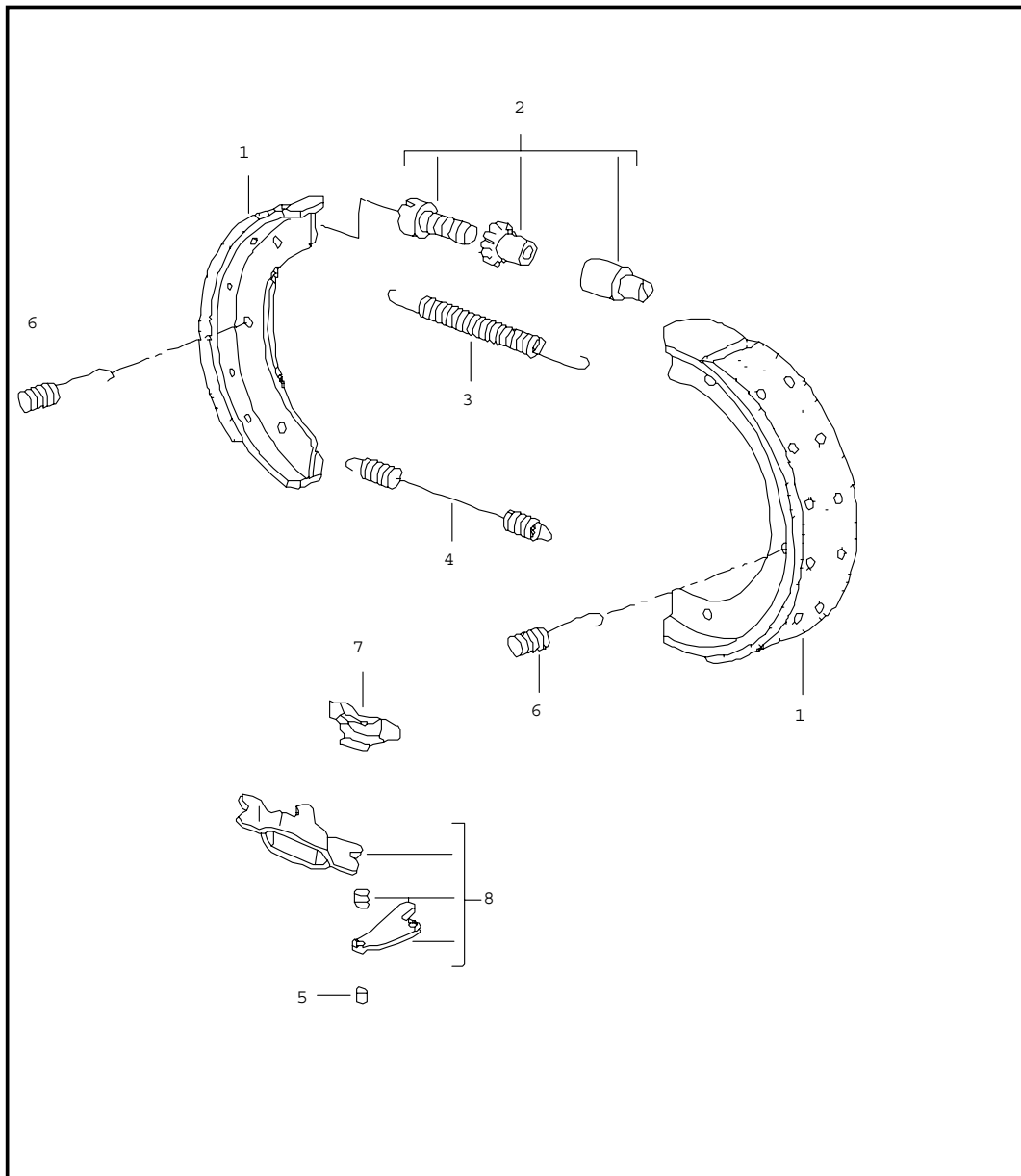
| | | | | | | | | | | | |
|-------|------|----|----|--------------|--------------|--------|------|------------|---------|-----|---------|
| Model | Year | MG | SG | Illustration | Restrictions | Update | 7:29 | 28.08.2006 | PORSCHE | PET | PORSCHE |
| 997 | 07 | 6 | 03 | 603-00 | | 203 | | | | | |

| Pos | Part Number | Name | Remarks | Qty | Model | Pos | Part Number | Name | Remarks | Qty | Model |
|-----|----------------|---|---------|-----|-------------|------|----------------|---|---------|-----|-------------|
| (6) | 997 351 939 03 | set of brake pads use also: mounting parts use also: 2 x 997.612.676.01 | | 1 | CARRERA 2-S | (8) | 999 067 041 09 | pan-head screw M 12 X 1,5 X 72 | | 4 | CARRERA 2 |
| (6) | 996 352 947 01 | set of brake pads see technical manual group 46 35 20 use also: mounting parts use also: 2 x 997.612.676.01 F >>996S7 34771 F >>996S7 62735 F >>996S7 02380 | | 1 | I450 | (8) | 999 067 050 09 | pan-head screw m 12 x 1,5 x 77 | | 4 | CARRERA 2-S |
| (6) | 997 352 948 00 | set of brake pads see technical manual group 46 35 20 use also: mounting parts use also: 2 x 997.612.676.01 F 996S7 34772>> F 996S7 62736>> F 996S7 02381>> | | 1 | I450 | (8) | 999 067 047 09 | pan-head screw m 12 x 1,5 x 85 | | 4 | I450 |
| - | 964 352 096 00 | damping plate 30 MM | | X | CARRERA 2 | 9 | 951 352 917 01 | repair kit protection caps 30 MM | | 2 | CARRERA 2 |
| - | 996 352 086 01 | damping plate 28 MM | | X | CARRERA 2 | 2 | 951 352 917 00 | repair kit protection caps 28 MM | | 2 | CARRERA 2-S |
| - | 964 352 096 00 | damping plate 30 MM | | X | CARRERA 2-S | (10) | 951 352 917 00 | repair kit protection caps 28 MM | | X | I450 |
| - | 996 352 086 01 | damping plate 28 MM | | X | CARRERA 2-S | (11) | 996 352 959 01 | repair kit mounting parts bolt expanding spring securing clip | | 1 | CARRERA 2 |
| - | 996 352 086 01 | damping plate 28 MM | | X | CARRERA 2-S | (11) | 955 352 960 00 | repair kit mounting parts bolt expanding spring securing clip | | 2 | |
| - | 996 352 086 01 | damping plate 28 MM see technical manual group 46 35 20 F >>996S7 34771 F >>996S7 62735 F >>996S7 02380 | | X | I450 | (11) | 996 351 959 01 | repair kit mounting parts bolt expanding spring securing clip | | 2 | |
| 7 | 996 612 365 00 | warning contact | | 2 | CARRERA 2 | (12) | 996 351 962 00 | connecting line | /L | 1 | CARRERA 2-S |
| (7) | 997 612 676 01 | warning contact | | 1 | CARRERA 2-S | (12) | 996 351 961 00 | connecting line | /R | 1 | CARRERA 2-S |
| (7) | 997 612 676 01 | warning contact | | 2 | I450 | (12) | 996 352 961 30 | connecting line | /L | 1 | I450 |
| | | | | | | (12) | 996 352 961 30 | connecting line | /R | 1 | I450 |
| | | | | | | 13 | 930 351 919 01 | ventilation valve | | 4 | |
| | | | | | | 14 | 930 351 927 00 | dust boot | | 4 | |
| | | | | | | 15 | 000 043 117 00 | brake cylinder paste 50 G | | X | |
| | | | | | | (15) | 000 043 020 00 | optimoly 100 G | | X | |
| | | | | | | | | - - - E N D - - - | | | |

| | | | | | | | | | | | | |
|-------|------|----|----|--------------|--------------|--------|------|------------|--|---------|-----|---------|
| Model | Year | MG | SG | Illustration | Restrictions | Update | | | | PORSCHE | PET | PORSCHE |
| 997 | 07 | 6 | 03 | 603-01 | | 203 | 7:29 | 28.08.2006 | | | | |

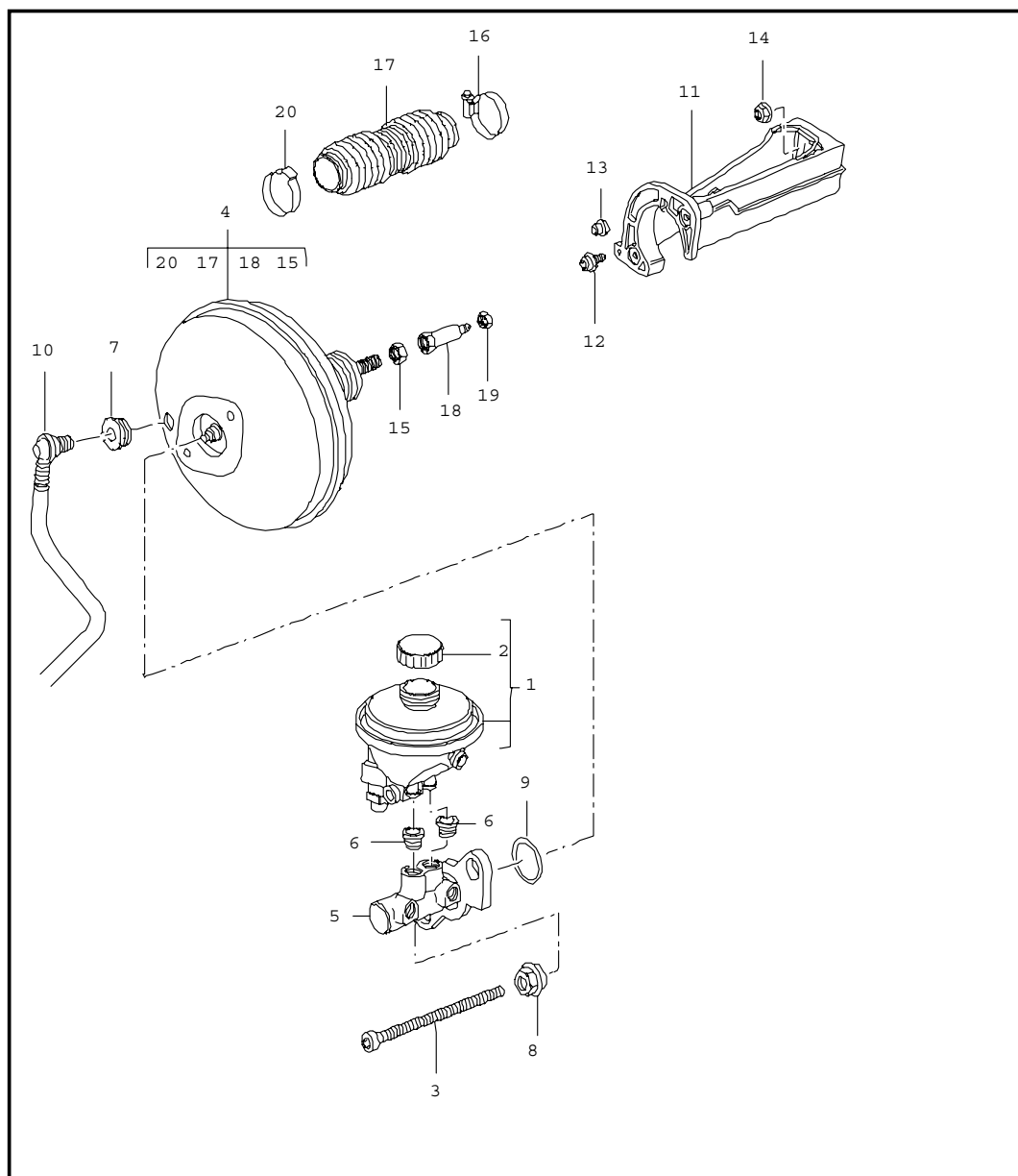
| Pos | Part Number | Name | Remarks | Qty | Model | Pos | Part Number | Name | Remarks | Qty | Model |
|-------------------|----------------|---|---------|--------|--------------------------|------|----------------|---|---------|------------------|-------------|
| (6) | 996 352 947 01 | set of brake pads see technical manual group 46 38 19 use also: mounting parts F >>996S7 34772 F >>996S7 62574 | | 1 | I450 | (11) | 996 352 959 01 | repair kit mounting parts bolt expanding spring securing clip | | 1 2 2 2 | CARRERA 4 |
| (6) | 997 352 948 00 | set of brake pads see technical manual group 46 38 19 use also: mounting parts F 996S7 34773>> F 996S7 42740>> | | 1 | I450 | (11) | 955 352 960 00 | repair kit mounting parts bolt expanding spring securing clip | | 1 2 2 2 | CARRERA 4-S |
| - | 964 352 096 00 | damping plate 30 MM | | X | CARRERA 4 CARRERA 4-S | 12 | 996 351 962 00 | connecting line | /L | 2 | CARRERA 4 |
| - | 996 352 086 01 | damping plate 28 MM | | X | CARRERA 4 CARRERA 4-S | (12) | 996 351 961 00 | connecting line | /R | 2 | CARRERA 4 |
| - | 996 352 086 01 | damping plate 28 MM see technical manual group 46 38 19 F >>996S7 34772 F >>996S7 62574 | | X | I450 | (12) | 996 351 962 00 | connecting line | /L | 2 | CARRERA 4-S |
| 7 | 996 612 365 00 | warning contact | | 2 | CARRERA 4 | (12) | 996 351 961 00 | connecting line | /R | 1 | CARRERA 4-S |
| (7) | 997 612 676 01 | warning contact | | 2 | CARRERA 4-S | (12) | 996 352 961 30 | connecting line | /L | 1 | I450 |
| 7 | 997 612 676 01 | warning contact | | 2 | I450 | (12) | 996 352 961 30 | connecting line | /R | 1 | I450 |
| (8) | 999 067 041 09 | pan-head screw M 12 X 1,5 X 72 | | 4 | CARRERA 4 | 13 | 930 351 919 01 | ventilation valve | | 4 | |
| (8) | 999 067 050 09 | pan-head screw M 12 X 1,5 X 77 | | 4 | CARRERA 4-S | 14 | 930 351 927 00 | dust boot | | 4 | |
| (8) | 999 067 047 09 | pan-head screw M 12 X 1,5 X 85 | | 4 | I450 | 15 | 000 043 117 00 | brake cylinder paste 50 G | | X | |
| 9 | 951 352 917 01 | repair kit protection caps 30 MM | | 2 2 | CARRERA 4 CARRERA 4-S | (15) | 000 043 020 00 | optimoly 100 G | | X | |
| 10 | 951 352 917 00 | repair kit protection caps 28 MM | | 2 2 | CARRERA 4 CARRERA 4-S | | | | | | |
| (10) | 951 352 917 00 | repair kit protection caps 28 MM | | X | I450 | | | | | | |
| - - - E N D - - - | | | | | | | | | | | |

| | | | | | | | | | | | |
|-------|------|----|----|--------------|--------------|--------|------|------------|---------|-----|---------|
| Model | Year | MG | SG | Illustration | Restrictions | Update | 7:30 | 28.08.2006 | PORSCHE | PET | PORSCHE |
| 997 | 07 | 6 | 03 | 603-05 | | 203 | | | | | |



| Pos | Part Number | Name | Remarks | Qty | Model |
|-----|------------------|------------------------------|---------|-----|-------|
| | | handbrake | | | |
| (1) | 996 352 993 02 | repair kit 1 set | | 1 | |
| 2 | 993 352 071 00 | adjusting screw | | 2 | |
| 3 | 997 352 721 01 | tension spring short | | 2 | |
| 4 | 997 352 723 02 | tension spring long | | 2 | |
| 5 | 993 352 737 00 | bolt | | 2 | |
| 6 | U 997 352 741 00 | compression spring | | 4 | |
| (6) | 997 352 741 01 | compression spring | | 4 | |
| 7 | 997 352 807 00 | bracket | | 2 | |
| 8 | 993 352 073 00 | push-button lock complete | | 2 | |
| | | - - - E N D - - - | | | |

| | | | | | | | | | | | |
|-------|------|----|----|--------------|--------------|--------|------|------------|---------|-----|---------|
| Model | Year | MG | SG | Illustration | Restrictions | Update | 7:30 | 28.08.2006 | PORSCHE | PET | PORSCHE |
| 997 | 07 | 6 | 04 | 604-00 | | 203 | | | | | |

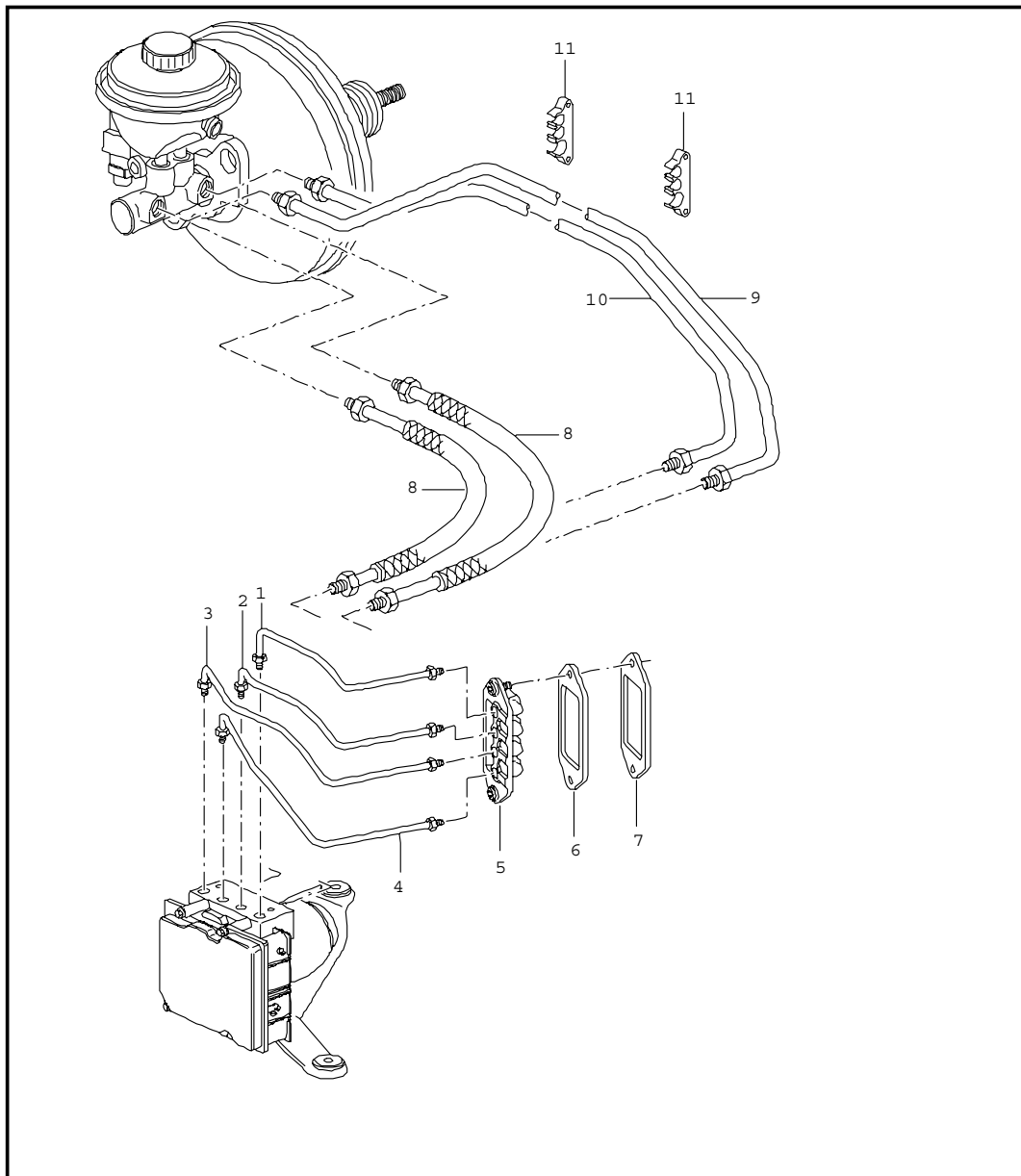


| Pos | Part Number | Name | Remarks | Qty | Model |
|-----|----------------|--|---------|-----|----------------------------------|
| 1 | 997 355 013 00 | brake master cylinder brake booster | | | |
| (1) | 997 355 013 01 | expansion tank | 05 | 1 | I480 |
| (1) | 997 355 013 20 | expansion tank | 06- | 1 | I480 |
| (1) | 997 355 013 21 | expansion tank | 05 | 1 | I249 |
| (1) | 997 355 013 21 | expansion tank | 06- | 1 | I249 |
| 2 | 996 355 119 01 | catch | | 1 | |
| - | 997 355 125 00 | support for contact for container | | 1 | |
| 3 | 999 073 124 09 | pan-head screw M 8 X 154 X 80 | | 2 | CARRERA 2 CARRERA 2-S |
| (3) | 999 073 327 09 | pan-head screw M 8 X 197 X 29 | | 2 | CARRERA 4 CARRERA 4-S |
| 4 | 997 355 923 00 | brake booster | | 1 | CARRERA 2 CARRERA 2-S |
| (4) | 997 355 923 20 | brake booster | | 1 | CARRERA 4 CARRERA 4-S |
| - | 996 355 137 01 | catch threaded joint brake booster | | 1 | |
| 5 | 997 355 910 00 | brake master cylinder | | 1 | CARRERA 2 |
| (5) | 997 355 910 10 | brake master cylinder | | 1 | CARRERA 2-S I450 |
| (5) | 997 355 910 10 | brake master cylinder | | 1 | CARRERA 2-S |
| (5) | 997 355 910 10 | brake master cylinder | | 1 | CARRERA 4 |
| (5) | 997 355 910 30 | brake master cylinder | | 1 | CARRERA 4 CARRERA 4-S I450 |
| 6 | 993 355 922 00 | grommet | | 2 | |
| 7 | 999 702 182 40 | rubber bush | | 1 | |
| 8 | 997 355 925 00 | hexagon nut | | 2 | |
| 9 | 993 355 212 00 | gasket | | 1 | |
| 10 | 997 355 577 00 | vacuum line | | 1 | CARRERA 2 CARRERA 2-S I098 |

| | | | | | | | | | | | | |
|-------|------|----|----|--------------|--------------|--------|------|------------|--|---------|-----|---------|
| Model | Year | MG | SG | Illustration | Restrictions | Update | | | | PORSCHE | PET | PORSCHE |
| 997 | 07 | 6 | 04 | 604-00 | | 203 | 7:30 | 28.08.2006 | | | | |

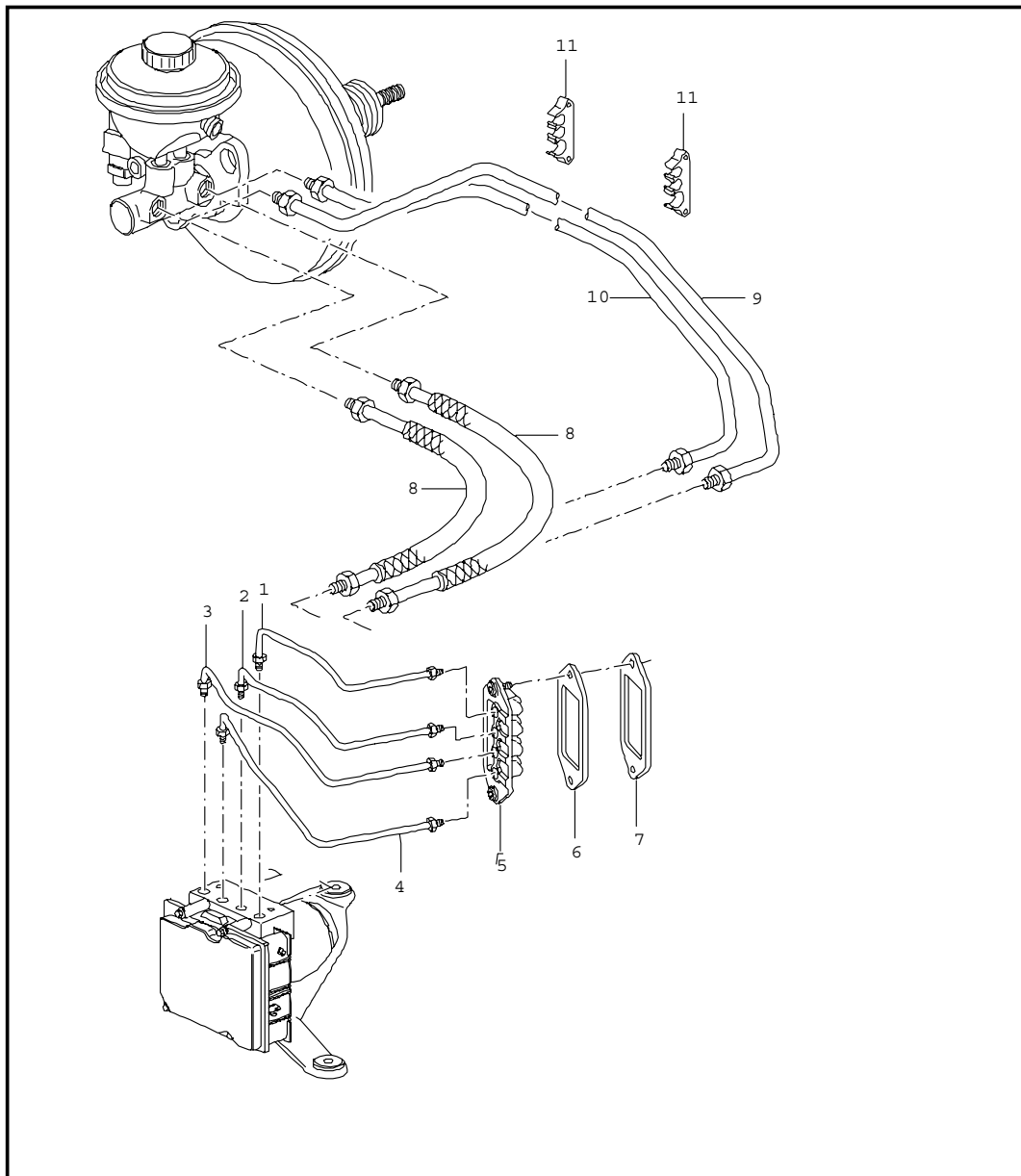
| Pos | Part Number | Name | Remarks | Qty | Model | Pos | Part Number | Name | Remarks | Qty | Model |
|------|----------------|-------------------------------------|---------|-----|----------------------------------|-----|-------------|------|---------|-----|-------|
| (10) | 997 355 577 25 | vacuum line | | 1 | CARRERA 4 CARRERA 4-S I098 | | | | | | |
| (10) | 997 355 578 00 | vacuum line | | 1 | CARRERA 2 CARRERA 2-S I099 | | | | | | |
| (10) | 997 355 578 25 | vacuum line | | 1 | CARRERA 4 CARRERA 4-S I099 | | | | | | |
| 11 | 997 423 251 00 | intermediate piece | | 1 | | | | | | | |
| 12 | 900 067 240 02 | screw M 6 X 12 Z1 | | 2 | | | | | | | |
| 13 | 999 703 448 50 | plug | /R | 1 | | | | | | | |
| 14 | 999 084 630 09 | hexagon nut M 8 | | 2 | | | | | | | |
| 15 | 900 183 015 02 | hexagon nut M 12 X 1,5 | | 1 | | | | | | | |
| - | 996 355 901 01 | gasket brake booster bulkhead | | 1 | | | | | | | |
| 16 | 999 512 478 00 | hose clamp | | 1 | | | | | | | |
| 17 | 996 423 269 05 | bellows | | 1 | CARRERA 2 CARRERA 2-S | | | | | | |
| (17) | 997 355 969 00 | bellows | | 1 | CARRERA 4 CARRERA 4-S | | | | | | |
| 18 | 996 355 927 01 | connecting piece | | 1 | | | | | | | |
| 19 | 900 380 015 09 | hexagon nut M 6 | | 1 | | | | | | | |
| 20 | 999 512 672 00 | clamp | | 1 | | | | | | | |
| | | - - - E N D - - - | | | | | | | | | |

| | | | | | | | | | | | |
|-------|------|----|----|--------------|--------------|--------|------|------------|---------|-----|---------|
| Model | Year | MG | SG | Illustration | Restrictions | Update | 7:30 | 28.08.2006 | PORSCHE | PET | PORSCHE |
| 997 | 07 | 6 | 04 | 604-05 | | 203 | | | | | |



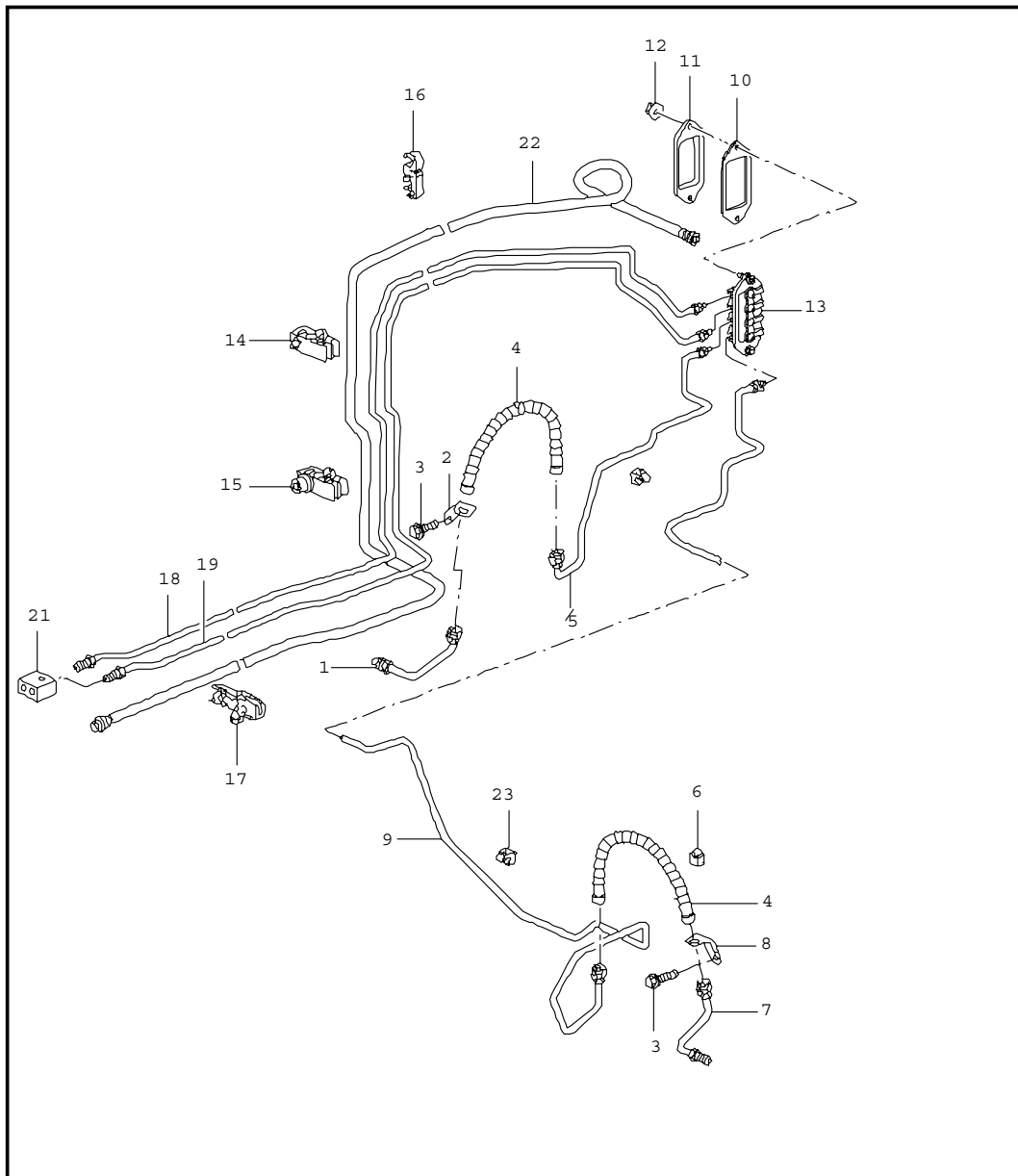
| Pos | Part Number | Name | Remarks | Qty | Model |
|-----|----------------|-----------------------------------|---------|-----|--------------------------|
| | | brake lines body front section | | | CARRERA 2 CARRERA 2-S |
| 1 | 997 355 315 00 | brake line | | 1 | |
| 2 | 997 355 316 00 | brake line | | 1 | |
| 3 | 997 355 327 00 | brake line | | 1 | |
| 4 | 997 355 326 00 | brake line | | 1 | |
| 5 | 997 355 650 00 | intermediate piece | | 1 | |
| 6 | 997 355 752 00 | gasket | | 1 | |
| 7 | 997 355 753 00 | reinforcement | | 1 | |
| 8 | 997 355 311 00 | pressure line | | 2 | I098 |
| 9 | 997 355 312 00 | pressure line | | 1 | I099 |
| 10 | 997 355 314 00 | pressure line | | 1 | I099 |
| 11 | 999 507 632 40 | cable holder | | 2 | |
| | | - - - E N D - - - | | | |

| | | | | | | | | | | | |
|-------|------|----|----|--------------|--------------|--------|------|------------|---------|-----|---------|
| Model | Year | MG | SG | Illustration | Restrictions | Update | 7:30 | 28.08.2006 | PORSCHE | PET | PORSCHE |
| 997 | 07 | 6 | 04 | 604-06 | | 203 | | | | | |



| Pos | Part Number | Name | Remarks | Qty | Model |
|-----|----------------|-----------------------------------|---------|-----|--------------------------|
| | | brake lines body front section | | | CARRERA 4 CARRERA 4-S |
| (1) | 997 355 315 26 | brake line | | 1 | I098 |
| 1 | 997 355 315 00 | brake line | | 1 | I099 |
| (2) | 997 355 316 26 | brake line | | 1 | I098 |
| 2 | 997 355 316 00 | brake line | | 1 | I099 |
| (3) | 997 355 327 27 | brake line | | 1 | I098 |
| 3 | 997 355 327 00 | brake line | | 1 | I099 |
| (4) | 997 355 326 27 | brake line | | 1 | I098 |
| 4 | 997 355 326 00 | brake line | | 1 | I099 |
| 5 | 997 355 650 00 | intermediate piece | | 1 | |
| 6 | 997 355 752 00 | gasket | | 1 | |
| 7 | 997 355 753 00 | reinforcement | | 1 | |
| 8 | 997 355 311 00 | pressure line | | 2 | I098 |
| 9 | 997 355 312 25 | pressure line | | 1 | I099 |
| 10 | 997 355 314 25 | pressure line | | 1 | I099 |
| 11 | 999 507 632 40 | cable holder | | 2 | I099 |
| | | - - - E N D - - - | | | |

| | | | | | | | | | | | |
|-------|------|----|----|--------------|--------------|--------|------|------------|---------|-----|---------|
| Model | Year | MG | SG | Illustration | Restrictions | Update | 7:30 | 28.08.2006 | PORSCHE | PET | PORSCHE |
| 997 | 07 | 6 | 04 | 604-10 | | 203 | | | | | |

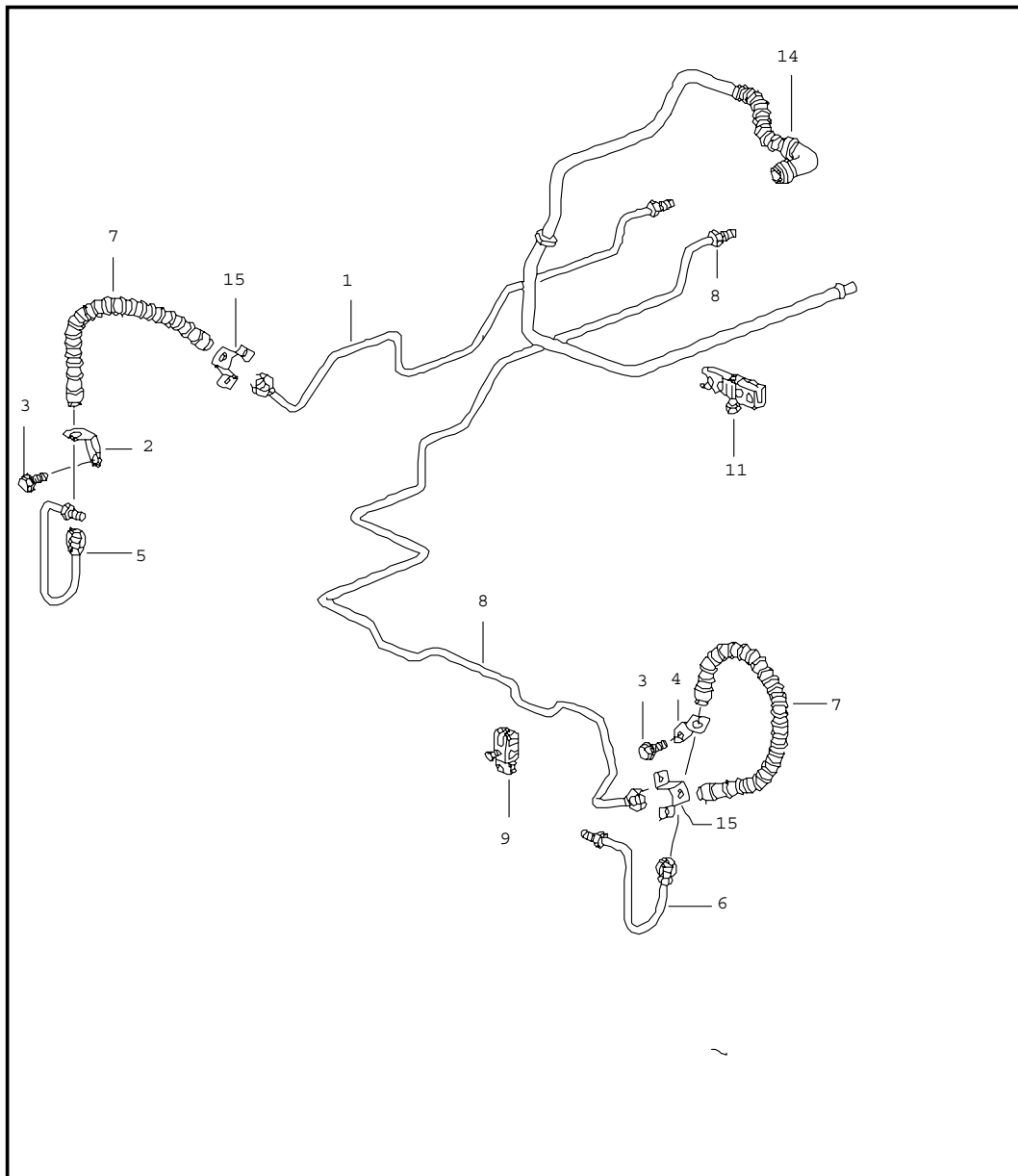


| Pos | Part Number | Name | Remarks | Qty | Model |
|-----|----------------|--|---------|-----|----------------------------------|
| | | brake lines brake lines underbody vacuum line | | | |
| 1 | 996 355 581 06 | brake line | /L | 1 | CARRERA 2 CARRERA 2-S |
| (1) | 996 355 581 9B | brake line | /L | 1 | I450 CARRERA 2-S |
| (1) | 997 355 587 00 | brake line | /L | 1 | CARRERA 4 CARRERA 4-S |
| (1) | 997 355 587 01 | brake line | /L | 1 | I450 CARRERA 4 CARRERA 4-S |
| 2 | 996 355 501 06 | brake hose bracket | /L | 1 | CARRERA 2 CARRERA 2-S |
| (2) | 996 355 507 05 | brake hose bracket | /L | 1 | CARRERA 4 CARRERA 4-S |
| 3 | 900 067 117 09 | pan-head screw M 6 X 16 | | 2 | |
| 4 | 996 355 139 01 | brake hose | | 2 | |
| 5 | 997 355 175 02 | brake line | /L | 1 | CARRERA 2 CARRERA 2-S |
| (5) | 997 355 175 26 | brake line | /L | 1 | CARRERA 4 CARRERA 4-S |
| 6 | 999 591 930 40 | support | | X | |
| 7 | 996 355 584 06 | brake line | /R | 1 | CARRERA 2 CARRERA 2-S |
| (7) | 996 355 584 9B | brake line | /R | 1 | I450 CARRERA 2-S |
| (7) | 997 355 588 00 | brake line | /R | 1 | CARRERA 4 CARRERA 4-S |
| (7) | 997 355 588 01 | brake line | /R | 1 | I450 CARRERA 4 CARRERA 4-S |
| 8 | 996 355 502 06 | brake hose bracket | /R | 1 | CARRERA 2 CARRERA 2-S |
| (8) | 996 355 508 05 | brake hose bracket | /R | 1 | CARRERA 4 CARRERA 4-S |
| 9 | 997 355 176 02 | brake line | | 1 | CARRERA 2 CARRERA 2-S |

| | | | | | | | | | | | |
|-------|------|----|----|--------------|--------------|--------|------|------------|---------|-----|---------|
| Model | Year | MG | SG | Illustration | Restrictions | Update | | | | | |
| 997 | 07 | 6 | 04 | 604-10 | | 203 | 7:30 | 28.08.2006 | PORSCHE | PET | PORSCHE |

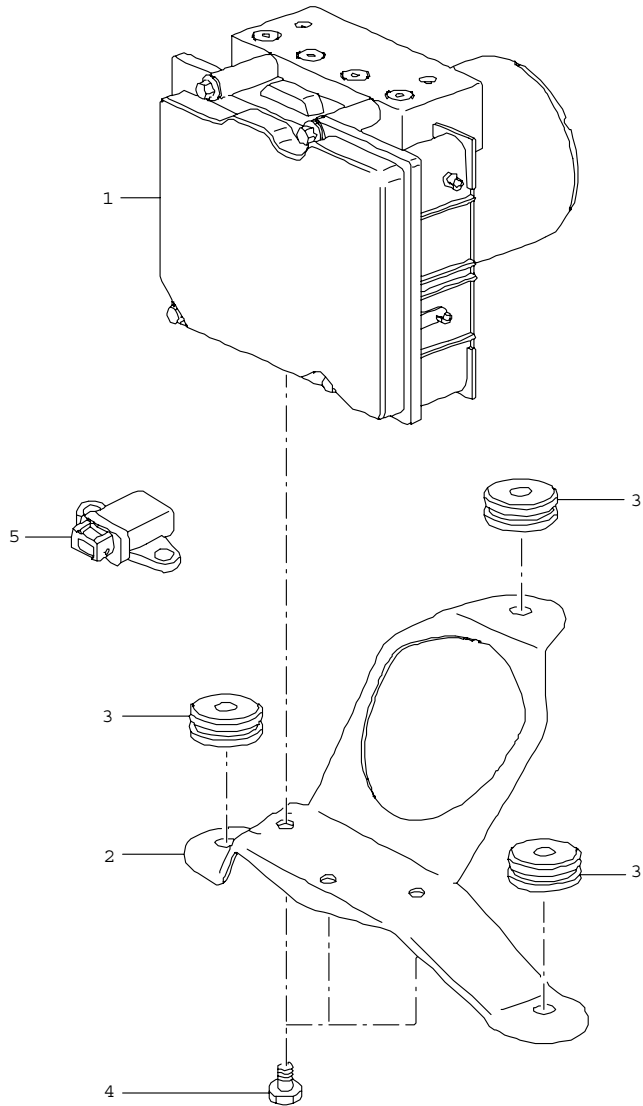
| Pos | Part Number | Name | Remarks | Qty | Model | Pos | Part Number | Name | Remarks | Qty | Model |
|-----|----------------|--------------------------|---------|-----|--------------------------|-----|-------------|------|---------|-----|-------|
| (9) | 997 355 176 27 | brake line | | 1 | CARRERA 4 CARRERA 4-S | | | | | | |
| 10 | 997 355 753 00 | reinforcement | | 1 | | | | | | | |
| 11 | 997 355 752 00 | gasket | | 1 | | | | | | | |
| 12 | 900 380 015 09 | hexagon nut M 6 | | 3 | | | | | | | |
| 13 | 997 355 650 00 | intermediate piece | | 1 | | | | | | | |
| 14 | 996 355 545 00 | support | | 3 | | | | | | | |
| 15 | 996 355 549 00 | support | | 1 | | | | | | | |
| 16 | 996 355 547 01 | support | | 2 | | | | | | | |
| 17 | 996 355 543 00 | support | | 1 | | | | | | | |
| 18 | 997 355 177 01 | brake line | | 1 | | | | | | | |
| 19 | 997 355 179 01 | brake line | | 1 | | | | | | | |
| 21 | 996 355 760 31 | connecting piece | | 1 | | | | | | | |
| 22 | 997 355 571 01 | vacuum line | | 1 | | | | | | | |
| - | 999 702 289 40 | grommet wheel housing | | 1 | | | | | | | |
| 23 | 999 651 331 40 | cable holder | | 5 | | | | | | | |
| | | - - - E N D - - - | | | | | | | | | |

| | | | | | | | | | | | |
|-------|------|----|----|--------------|--------------|--------|------|------------|---------|-----|---------|
| Model | Year | MG | SG | Illustration | Restrictions | Update | 7:31 | 28.08.2006 | PORSCHE | PET | PORSCHE |
| 997 | 07 | 6 | 04 | 604-15 | | 203 | | | | | |



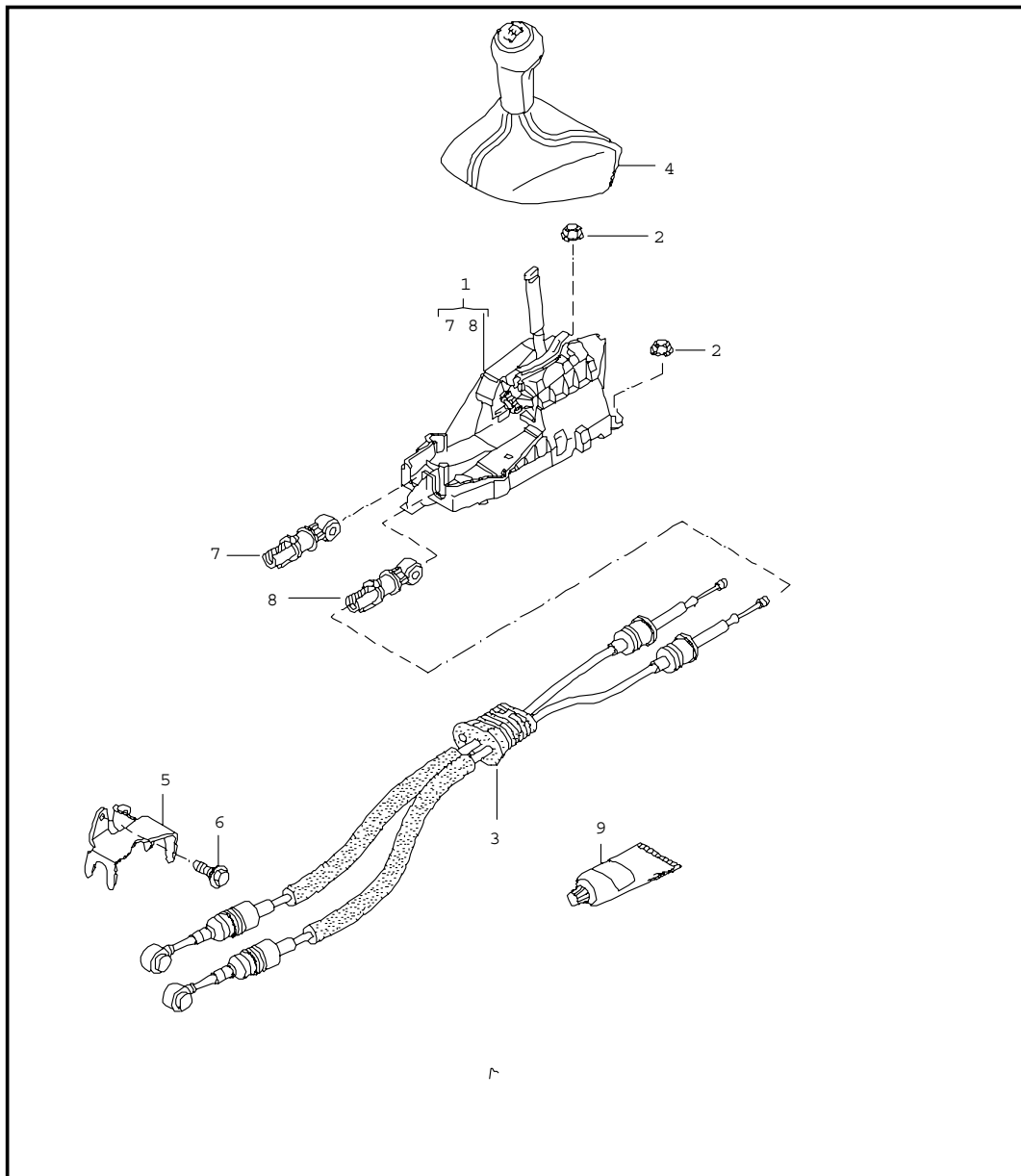
| Pos | Part Number | Name | Remarks | Qty | Model |
|------|------------------|---|---------|-----|-------|
| | | brake line underbody rear axle vacuum line | | | |
| 1 | 997 355 189 00 | brake line | /L | 1 | |
| 2 | 996 355 503 00 | brake hose bracket | /L | 1 | |
| (2) | 997 355 503 10 | support | /L | 1 | I450 |
| 3 | 900 067 117 09 | pan-head screw M 6 X 16 | | 2 | |
| 4 | 996 355 504 00 | brake hose bracket | /R | 1 | |
| (4) | 997 355 504 10 | support | /R | 1 | I450 |
| 5 | 996 355 585 00 | brake line | /L | 1 | |
| (5) | 996 355 585 10 | brake line | /L | 1 | I450 |
| 6 | 996 355 586 00 | brake line | /R | 1 | |
| (6) | 996 355 586 10 | brake line | /R | 1 | I450 |
| 7 | 996 355 139 00 | brake hose | | 2 | |
| 8 | 997 355 190 02 | brake line | | 1 | |
| 9 | 996 347 543 00 | cable holder | | 3 | |
| 11 | 996 355 543 00 | support | | 1 | |
| 14 | A 997 355 575 00 | vacuum line | | 1 | |
| (14) | 997 355 575 01 | vacuum line | | 1 | |
| - | 999 507 495 40 | support | | 1 | |
| (15) | 996 501 815 02 | support | | 2 | |
| | GRV | prime coated | | | |
| | | - - - E N D - - - | | | |

| | | | | | | | | | | | |
|-------|------|----|----|--------------|--------------|--------|------|------------|---------|-----|---------|
| Model | Year | MG | SG | Illustration | Restrictions | Update | 7:31 | 28.08.2006 | PORSCHE | PET | PORSCHE |
| 997 | 07 | 6 | 05 | 605-00 | | 203 | | | | | |



| Pos | Part Number | Name | Remarks | Qty | Model |
|-------------------|------------------|---|---------|-----|----------------------------------|
| | | hydraulic unit anti-lock brake system control | | | |
| 1 | A 997 355 955 05 | hydraulic unit | | 1 | CARRERA 2 CARRERA 2-S |
| (1) | 997 355 955 06 | hydraulic unit | | 1 | CARRERA 2 CARRERA 2-S |
| (1) | A 997 355 955 28 | hydraulic unit | | 1 | CARRERA 4 CARRERA 4-S |
| (1) | 997 355 955 30 | hydraulic unit | | 1 | CARRERA 4 CARRERA 4-S |
| 2 | 997 355 033 00 | support with rubber mounting | | 1 | CARRERA 2 CARRERA 2-S |
| (2) | 997 355 033 25 | support with rubber mounting | | 1 | CARRERA 4 CARRERA 4-S I098 |
| (2) | 997 355 033 00 | support with rubber mounting | | 1 | CARRERA 4 CARRERA 4-S I099 |
| 3 | 964 356 635 00 | rubber mounting | | 3 | |
| 4 | 900 385 060 09 | screw BM 6 X 10 | | 3 | |
| 5 | 996 606 145 00 | sensor | | 1 | |
| - - - E N D - - - | | | | | |

| | | | | | | | | | | | |
|-------|------|----|----|--------------|--------------|--------|------|------------|---------|-----|---------|
| Model | Year | MG | SG | Illustration | Restrictions | Update | 7:31 | 28.08.2006 | PORSCHE | PET | PORSCHE |
| 997 | 07 | 7 | 01 | 701-00 | | 203 | | | | | |



| Pos | Part Number | Name | Remarks | Qty | Model |
|-----|------------------|--|-----------------------|--------|----------------------|
| | | transmission control manual transmission | | | I480 |
| 1 | 997 424 010 00 | gearshift bracket | | 1 | |
| (1) | 997 424 983 00 | gearshift bracket | | 1 | IXCZ |
| 2 | 999 084 629 09 | hexagon nut M 6 | | 4 | |
| 3 | U 997 424 041 00 | cable transmission control | | 1 | |
| (3) | 997 424 041 01 | cable transmission control | | 1 | |
| 4 | 997 424 075 00 | gearshift knob leather shift pattern black | 05 | 1 | CARRERA |
| | | FOT | black/black | | |
| | | FOU | stone grey/stone grey | | |
| | | FOV | sand beige/sand beige | | |
| | | FOW | seeblue/seeblue | | |
| | | FOX | palm-green/palm-green | | |
| | | FPW | terrakotta/terrakotta | | |
| | | FPX | cocoa/cocoa | | |
| | | FOY | dark grey/dark grey | | |
| | | FOZ | brown nat./brown nat. | | |
| (4) | 997 424 075 01 | gearshift knob gearshift knob leather shift pattern aluminium look | 06- 05- | 1 1 | CARRERA CARRERA-S |
| | | FOT | black/black | | |
| | | FOU | stone grey/stone grey | | |
| | | FOV | sand beige/sand beige | | |
| | | FOW | seeblue/seeblue | | |
| | | FOX | palm-green/palm-green | | |
| | | FPW | terrakotta/terrakotta | | |
| | | FPX | cocoa/cocoa | | |

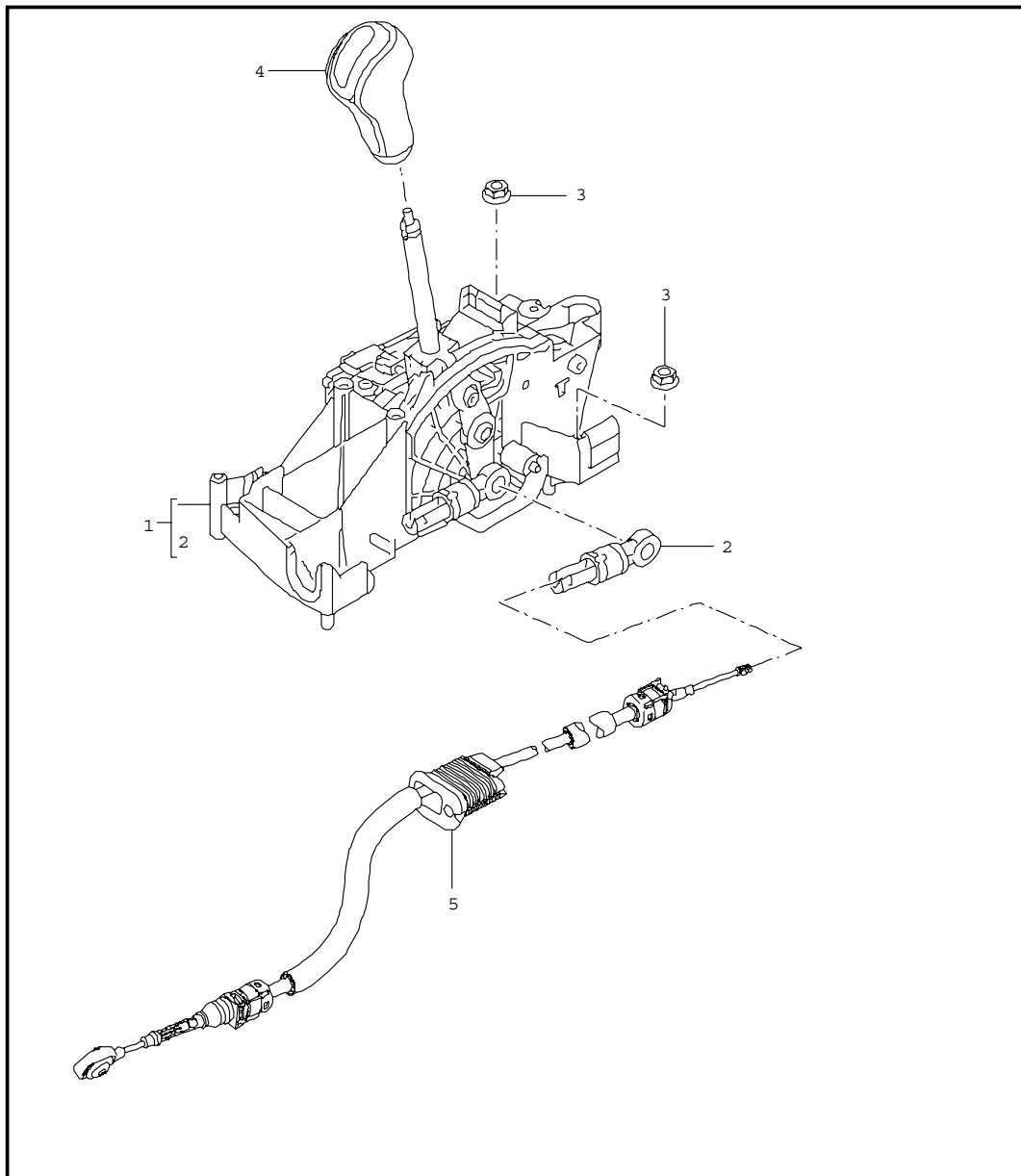
| | | | | | | | | | | | |
|-------|------|----|----|--------------|--------------|--------|------|------------|---------|-----|---------|
| Model | Year | MG | SG | Illustration | Restrictions | Update | | | | | |
| 997 | 07 | 7 | 01 | 701-00 | | 203 | 7:31 | 28.08.2006 | PORSCHE | PET | PORSCHE |

| Pos | Part Number | Name | Remarks | Qty | Model | Pos | Part Number | Name | Remarks | Qty | Model |
|-----|----------------|--|---------|-----|-------|-----|----------------|--|---------|-----|-------|
| | | FOY dark grey/dark grey | | | | | | FPK sand beige | | | |
| | | FOZ brown nat./brown nat. | | | | | | FPL sea blue | | | |
| (4) | 997 424 075 03 | gearshift knob carbon shift pattern aluminium look | | 1 | I803 | | | FPM palmgreen | | | |
| | | FPP black | | | | | | FQA terracotta | | | |
| | | FPQ stone grey | | | | | | FQB cocoa | | | |
| | | FPR sand beige | | | | | | FPN dark grey/natural | | | |
| | | FPS sea blue | | | | (4) | 997 424 981 00 | gearshift knob aluminium leather | 06- | 1 | IX97 |
| | | FPT palmgreen | | | | | | FPO brown/natural | | | |
| | | FQC terracotta | | | | | | 8YR black | | | |
| | | FQD cocoa | | | | | | 5X5 stone grey | | | |
| | | FPU dark grey/natural | | | | | | 8G1 sand beige | | | |
| | | FPV brown/natural | | | | | | 3S8 sea blue | | | |
| (4) | 997 424 075 04 | gearshift knob makassar shift pattern aluminium look | | 1 | I801 | | | 4P1 palmgreen | | | |
| | | FPA black | | | | | | 9N2 terracotta | | | |
| | | FPB stone grey | | | | | | 9Q3 cocoa | | | |
| | | FPC sand beige | | | | | | D11 dark grey/natural | | | |
| | | FPD sea blue | | | | - | 996 424 445 00 | clip for fastening part | | X | |
| | | FPE palmgreen | | | | 5 U | 997 424 165 02 | bearing bracket | | 1 | |
| | | FPY terracotta | | | | (5) | 997 424 165 04 | bearing bracket | | 12 | |
| | | FPZ cocoa | | | | 6 | 900 378 017 09 | hexagon-head bolt M 8 X 20 | | 2 | |
| | | FPP dark grey/natural | | | | 7 | 996 424 145 01 | fastening part for cable adjustable | | 1 | |
| | | FPG brown/natural | | | | | | | | | |
| (4) | 997 424 075 04 | gearshift knob sycamore wood shift pattern aluminium look | | 1 | I802 | 8 | 996 424 147 00 | fastening part for cable adjustable | | 1 | |
| | | FPH black | | | | | | | | | |
| | | FPJ stone grey | | | | | | | | | |

| | | | | | | | | | | | | |
|-------|------|----|----|--------------|--------------|--------|------|------------|---------|-----|---------|--|
| Model | Year | MG | SG | Illustration | Restrictions | Update | | | | | | |
| 997 | 07 | 7 | 01 | 701-00 | | 203 | 7:31 | 28.08.2006 | PORSCHE | PET | PORSCHE | |

| Pos | Part Number | Name | Remarks | Qty | Model | Pos | Part Number | Name | Remarks | Qty | Model |
|-----|----------------|---|---------|-----|-------|-----|-------------|------|---------|-----|-------|
| 9 | 000 043 205 93 | grease 1 tube 100 g - - - E N D - - - | | X | | | | | | | |

| | | | | | | | | | | | |
|-------|------|----|----|--------------|--------------|--------|------|------------|---------|-----|---------|
| Model | Year | MG | SG | Illustration | Restrictions | Update | 7:31 | 28.08.2006 | PORSCHE | PET | PORSCHE |
| 997 | 07 | 7 | 01 | 701-01 | | 203 | | | | | |

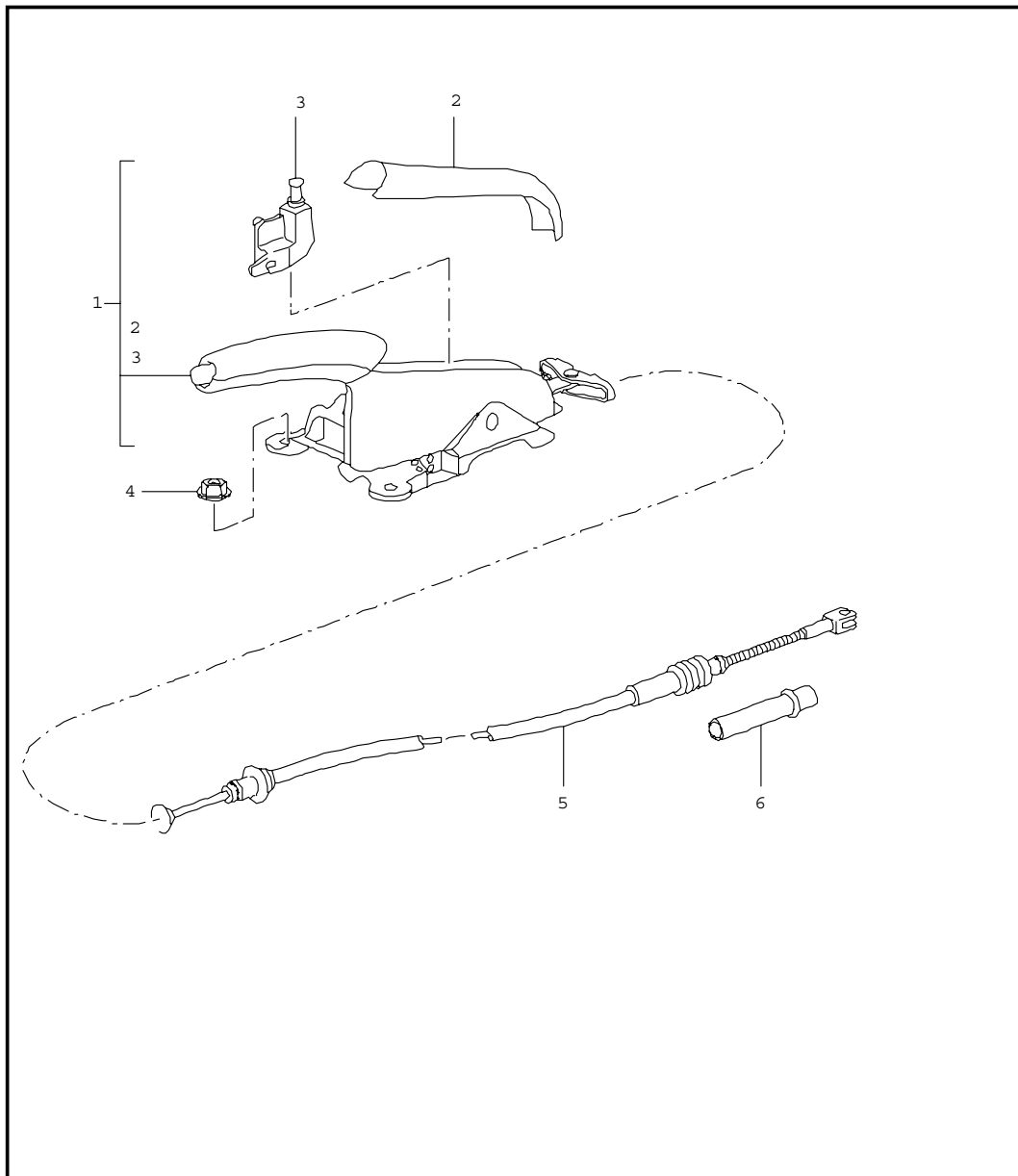


| Pos | Part Number | Name | Remarks | Qty | Model |
|-------|----------------|-------------------------------------|---------|-----|-------|
| | | selector lever tiptronic | | | I249 |
| 1 | 997 426 011 01 | support with housing | -06 | 1 | |
| (1) N | 997 426 011 02 | support with housing | 07- | 1 | |
| - | 996 613 212 10 | switch selector lever | | 1 | |
| 2 | 996 426 035 00 | fastening part for cable adjustable | | 1 | |
| 3 | 999 084 629 09 | hexagon nut M 6 | | 4 | |
| 4 | 997 426 069 00 | selector knob leather | | 1 | |
| | | 8YR black | | | |
| | | 5X5 stone grey | | | |
| | | 8G1 sand beige | | | |
| | | 3S8 sea blue | | | |
| | | 4P1 palmgreen | | | |
| | | 9N2 terracotta | | | |
| | | 9Q3 cocoa | | | |
| | | D11 dark grey/natural | | | |
| | | T11 brown/natural | | | |
| (4) | 997 426 069 03 | selector knob | | 1 | I803 |
| | | A35 carbon | | | |
| (4) | 997 426 069 04 | selector knob | | 1 | I801 |
| | | S61 makassar | | | |
| (4) | 997 426 069 04 | selector knob | | 1 | I802 |
| | | S62 sycamore wood | | | |
| 5 U | 997 426 033 00 | cable | | 1 | |
| (5) | 997 426 033 01 | cable | | 1 | |

| | | | | | | | | | | | |
|-------|------|----|----|--------------|--------------|--------|------|------------|---------|-----|---------|
| Model | Year | MG | SG | Illustration | Restrictions | Update | | | | | |
| 997 | 07 | 7 | 01 | 701-01 | | 203 | 7:31 | 28.08.2006 | PORSCHE | PET | PORSCHE |

| Pos | Part Number | Name | Remarks | Qty | Model | Pos | Part Number | Name | Remarks | Qty | Model |
|-----|-------------|-------------------|---------|-----|-------|-----|-------------|------|---------|-----|-------|
| | | - - - E N D - - - | | | | | | | | | |

| | | | | | | | | | | | |
|-------|------|----|----|--------------|--------------|--------|------|------------|---------|-----|---------|
| Model | Year | MG | SG | Illustration | Restrictions | Update | 7:32 | 28.08.2006 | PORSCHE | PET | PORSCHE |
| 997 | 07 | 7 | 01 | 701-05 | | 203 | | | | | |



| Pos | Part Number | Name | Remarks | Qty | Model |
|-----|----------------|--|---------|-----|-------|
| 1 | 997 424 031 42 | handbrake actuator parking-brake lever complete leather | -06 | 1 | |
| | 8YR | black | | | |
| | 5X5 | stone grey | | | |
| | 8G1 | sand beige | | | |
| | 3S8 | sea blue | | | |
| | 4P1 | palmgreen | | | |
| | 9N2 | terracotta | | | |
| | 9Q3 | cocoa | | | |
| | D11 | dark grey/natural | | | |
| | T11 | brown/natural | | | |
| (1) | 997 424 031 52 | parking-brake lever complete leather | 07- | 1 | |
| | 8YR | black | | | |
| | 5X5 | stone grey | | | |
| | 8G1 | sand beige | | | |
| | 3S8 | sea blue | | | |
| | 4P1 | palmgreen | | | |
| | 9N2 | terracotta | | | |
| | 9Q3 | cocoa | | | |
| | D11 | dark grey/natural | | | |
| | T11 | brown/natural | | | |
| (1) | 997 424 031 43 | parking-brake lever complete makassar | | 1 | I801 |
| | 8YR | black | | | |
| | 5X5 | stone grey | | | |
| | 8G1 | sand beige | | | |
| | 3S8 | sea blue | | | |

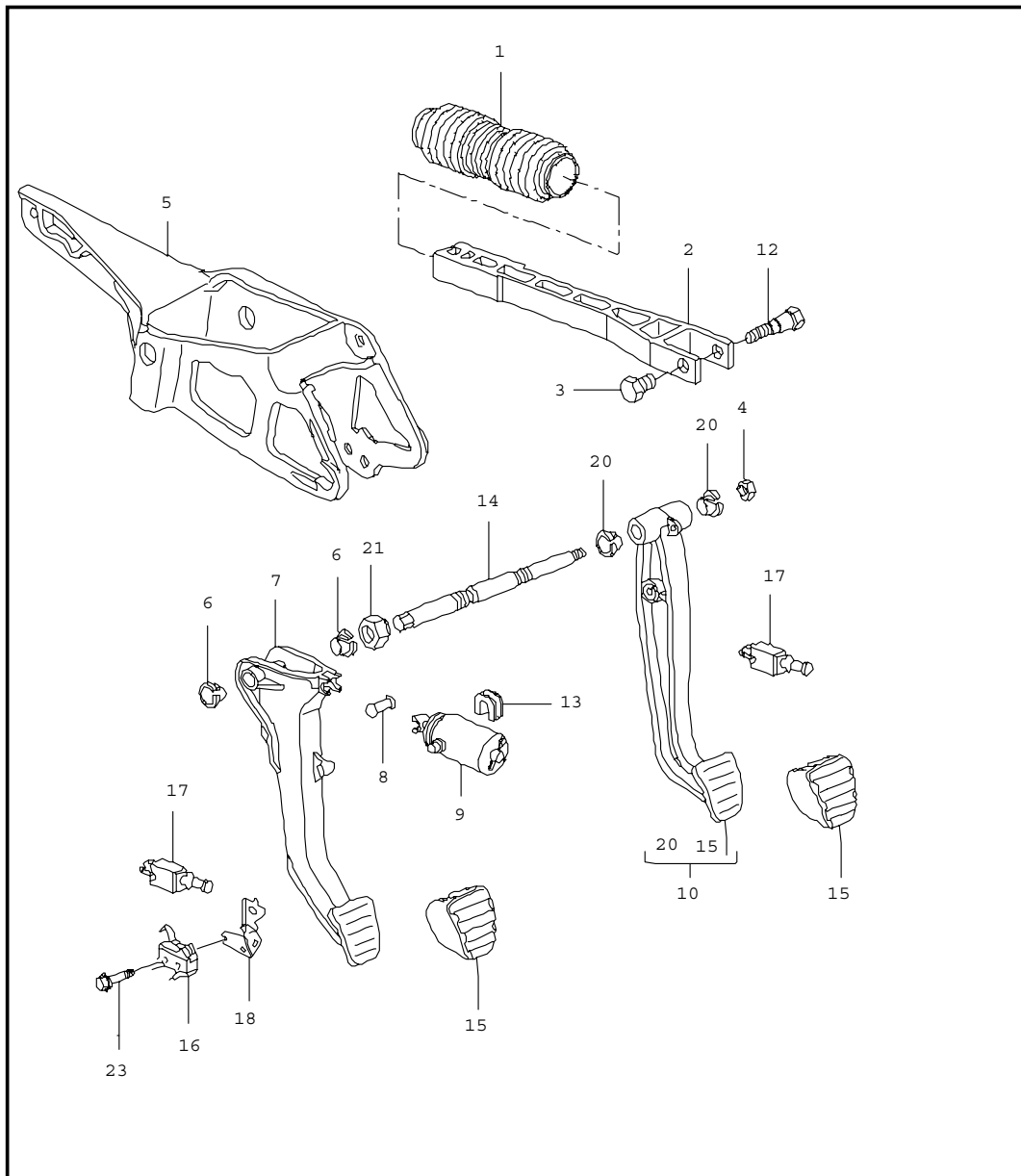
| | | | | | | | | | | | |
|-------|------|----|----|--------------|--------------|--------|------|------------|---------|-----|---------|
| Model | Year | MG | SG | Illustration | Restrictions | Update | 7:32 | 28.08.2006 | PORSCHE | PET | PORSCHE |
| 997 | 07 | 7 | 01 | 701-05 | | 203 | | | | | |

| Pos | Part Number | Name | Remarks | Qty | Model | Pos | Part Number | Name | Remarks | Qty | Model |
|-----|----------------|--|----------|-----|-------|-----|----------------|------------------------------|----------|-----|-------|
| | 4P1 | palmgreen | | | | | 5X5 | stone grey | | | |
| | 9N2 | terracotta | | | | | 8G1 | sand beige | | | |
| | 9Q3 | cocoa | | | | | 3S8 | sea blue | | | |
| | D11 | dark grey/natural | | | | | 4P1 | palmgreen | | | |
| | T11 | brown/natural | | | | | 9N2 | terracotta | | | |
| (1) | 997 424 031 44 | parking-brake lever complete sycamore wood | | 1 | I802 | | 9Q3 | cocoa | | | |
| | 8YR | black | | | | | D11 | dark grey/natural | | | |
| | 5X5 | stone grey | | | | (1) | 997 424 980 01 | parking-brake lever complete | I099 07- | 1 | IX98 |
| | 8G1 | sand beige | | | | | T11 | brown/natural | | | |
| | 3S8 | sea blue | | | | | 8YR | black | | | |
| | 4P1 | palmgreen | | | | | 5X5 | stone grey | | | |
| | 9N2 | terracotta | | | | | 8G1 | sand beige | | | |
| | 9Q3 | cocoa | | | | | 3S8 | sea blue | | | |
| | D11 | dark grey/natural | | | | | 4P1 | palmgreen | | | |
| | T11 | brown/natural | | | | | 9N2 | terracotta | | | |
| (1) | 997 424 031 45 | parking-brake lever complete carbon | | 1 | I803 | | 9Q3 | cocoa | | | |
| | 8YR | black | | | | | D11 | dark grey/natural | | | |
| | 5X5 | stone grey | | | | 2 | 997 424 155 00 | cover leather | | 1 | |
| | 8G1 | sand beige | | | | | 8YR | black | | | |
| | 3S8 | sea blue | | | | | 5X5 | stone grey | | | |
| | 4P1 | palmgreen | | | | | 8G1 | sand beige | | | |
| | 9N2 | terracotta | | | | | 3S8 | sea blue | | | |
| | 9Q3 | cocoa | | | | | 4P1 | palmgreen | | | |
| | D11 | dark grey/natural | | | | | 9N2 | terracotta | | | |
| | T11 | brown/natural | | | | | 9Q3 | cocoa | | | |
| (1) | 997 424 980 00 | parking-brake lever complete | I098 07- | 1 | IX98 | | D11 | dark grey/natural | | | |
| | 8YR | black | | | | | T11 | brown/natural | | | |

| | | | | | | | | | | | |
|-------|------|----|----|--------------|--------------|--------|------|------------|---------|-----|---------|
| Model | Year | MG | SG | Illustration | Restrictions | Update | | | | | |
| 997 | 07 | 7 | 01 | 701-05 | | 203 | 7:32 | 28.08.2006 | PORSCHE | PET | PORSCHE |

| Pos | Part Number | Name | Remarks | Qty | Model | Pos | Part Number | Name | Remarks | Qty | Model |
|-----|----------------|---------------------|---------|-----|-------|-----|-------------|------|---------|-----|-------|
| 3 | 996 613 112 01 | switch | | 1 | | | | | | | |
| 4 | 999 084 630 09 | hexagon nut M 8 | | 4 | | | | | | | |
| 5 | 997 424 141 05 | parking-brake cable | | 2 | | | | | | | |
| 6 | 996 424 721 02 | guide tube | | 2 | | | | | | | |
| | | - - - E N D - - - | | | | | | | | | |

| | | | | | | | | | | | |
|-------|------|----|----|--------------|--------------|--------|------|------------|---------|-----|---------|
| Model | Year | MG | SG | Illustration | Restrictions | Update | 7:32 | 28.08.2006 | PORSCHE | PET | PORSCHE |
| 997 | 07 | 7 | 02 | 702-00 | | 203 | | | | | |

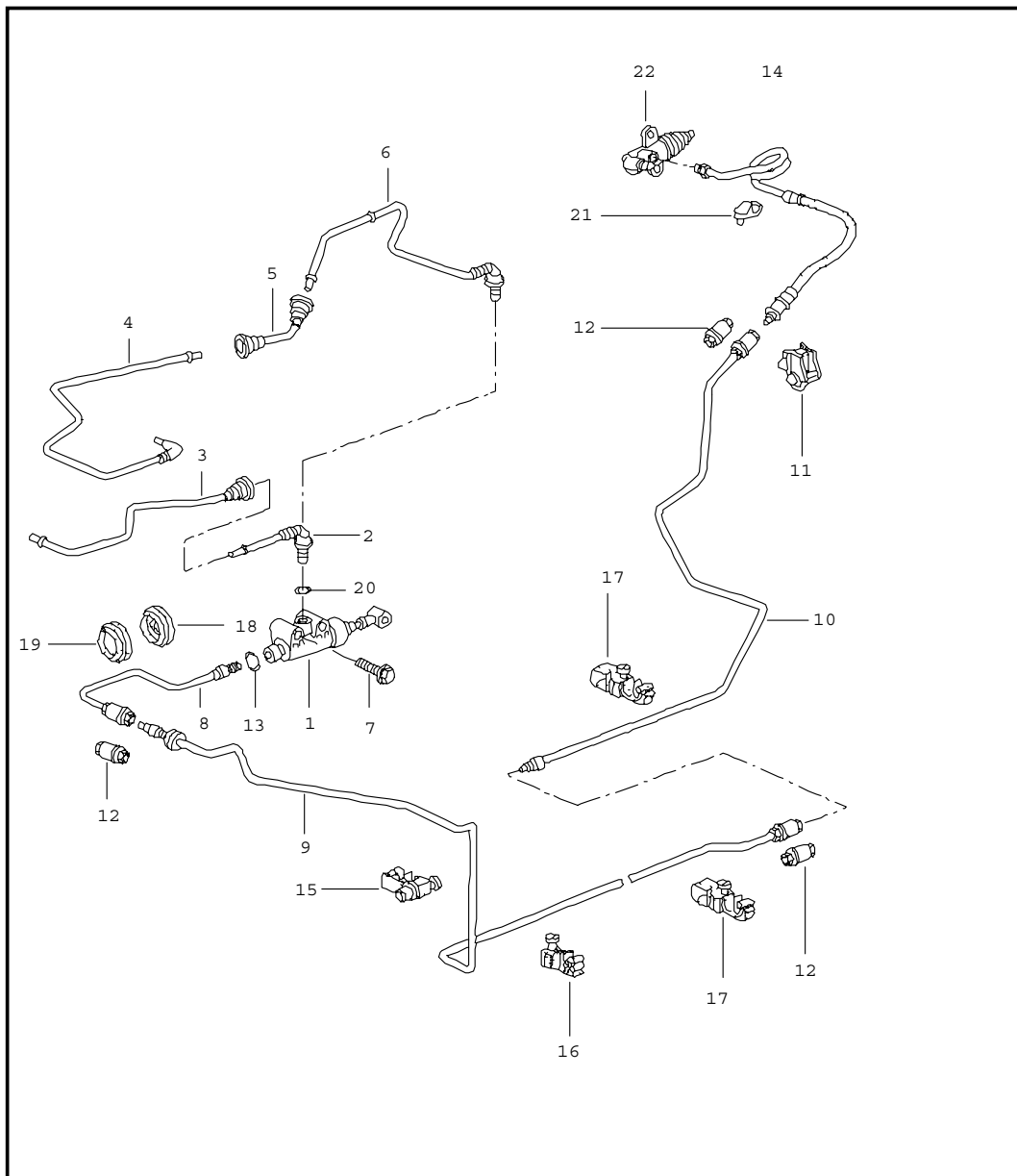


| Pos | Part Number | Name | Remarks | Qty | Model |
|------|----------------|---|---------|--------|----------------------------|
| - | 000 043 206 17 | grease l tube | | X | |
| 1 | ... | bellows see illustrations 6/04/00 | | 1 | |
| (2) | 996 423 165 05 | push rod | | 1 | |
| 3 | 996 423 307 00 | sleeve | | 1 | |
| 4 | 900 380 005 09 | hexagon nut M 8 | | 3 2 | |
| 5 | 997 423 571 02 | bracket for clutch power spring | | 1 | I480 |
| 6 | 997 423 399 01 | bush | | 2 | I480 |
| 7 | 997 423 139 01 | clutch pedal | | 1 | I480 |
| (8) | 996 423 315 06 | bolt | | 1 | I480 |
| - | 999 166 022 02 | kl-lock for bolt | | 1 | I480 |
| 9 A | 997 423 081 04 | clutch power spring | | 1 | CARRERA 2 |
| (9) | 997 423 081 06 | clutch power spring | | 1 | CARRERA 2 CARRERA 4 |
| (9) | 997 423 081 05 | clutch power spring | | 1 | CARRERA 2-S CARRERA 4-S |
| (10) | 997 423 091 03 | brake pedal | | 1 | I480/098 |
| (10) | 997 423 092 03 | brake pedal | | 1 | I480/099 |
| (10) | 997 423 093 03 | brake pedal | | 1 | I249/098 |
| 10 | 997 423 094 03 | brake pedal | | 1 | I249/099 |
| 12 | 996 423 308 00 | bolt | | 1 | |
| 13 | 997 423 581 00 | bearing shell | | 1 | |
| 14 | 997 423 281 00 | axle | | 1 | I480/098 |
| (14) | 997 423 284 00 | axle | | 1 | I480/099 |
| (14) | 996 423 283 05 | axle | | 1 | I249/098 |
| (14) | 996 423 286 05 | axle | | 1 | I249/099 |

| | | | | | | | | | | | |
|-------|------|----|----|--------------|--------------|--------|------|------------|---------|-----|---------|
| Model | Year | MG | SG | Illustration | Restrictions | Update | | | | | |
| 997 | 07 | 7 | 02 | 702-00 | | 203 | 7:32 | 28.08.2006 | PORSCHE | PET | PORSCHE |

| Pos | Part Number | Name | Remarks | Qty | Model | Pos | Part Number | Name | Remarks | Qty | Model |
|------|----------------|-------------------------------|---------|-----|-------|-----|-------------|------|---------|-----|-------|
| - | 996 423 277 00 | sleeve brake pedal | | 1 | I099 | | | | | | |
| 15 | 997 423 910 00 | cap | | 2 | I480 | | | | | | |
| (15) | 997 423 912 00 | cap | | 1 | I249 | | | | | | |
| 16 | 997 613 109 00 | switch | | 1 | I480 | | | | | | |
| (17) | 996 613 113 01 | switch brake pedal | | 2 | | | | | | | |
| (17) | 996 613 114 01 | switch clutch pedal | | 1 | | | | | | | |
| 18 | 997 423 541 00 | support | | 1 | | | | | | | |
| 20 | 997 423 401 00 | bush | | 2 | I098 | | | | | | |
| (20) | 997 423 402 00 | bush | | 2 | I099 | | | | | | |
| 21 | 997 423 275 01 | screw plug | | 1 | | | | | | | |
| 22 | 900 378 273 09 | hexagon-head bolt M 6 X 18 | | 1 | | | | | | | |
| 23 | 900 146 159 02 | round head screw M 3 X 20 | | 1 | | | | | | | |
| 24 | 997 423 695 00 | rubber stop | | 1 | | | | | | | |
| 25 | 997 423 697 00 | rubber stop | | 1 | | | | | | | |
| | | - - - E N D - - - | | | | | | | | | |

| | | | | | | | | | | | |
|-------|------|----|----|--------------|--------------|--------|------|------------|---------|-----|---------|
| Model | Year | MG | SG | Illustration | Restrictions | Update | 7:32 | 28.08.2006 | PORSCHE | PET | PORSCHE |
| 997 | 07 | 7 | 02 | 702-08 | | 203 | | | | | |

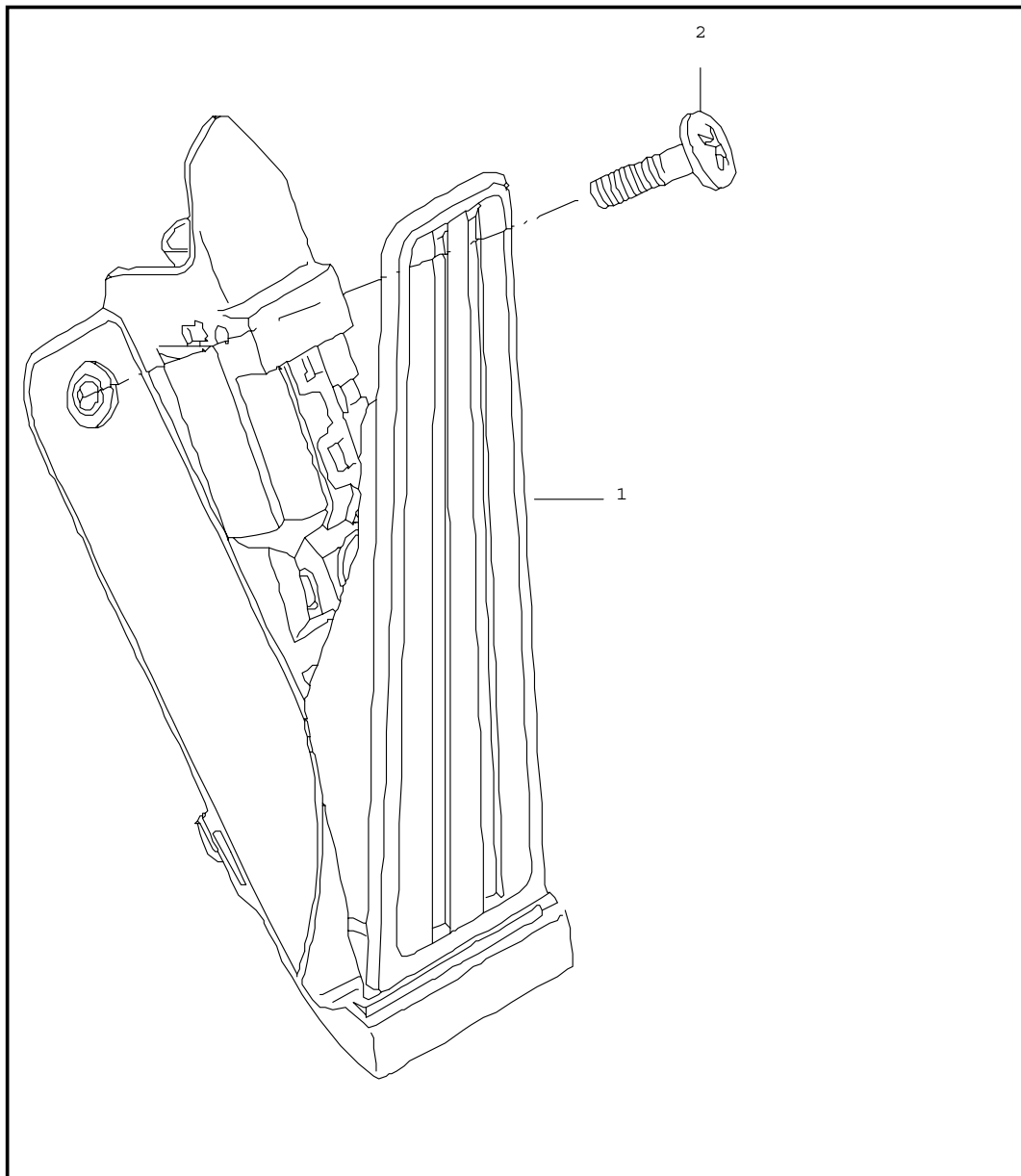


| Pos | Part Number | Name | Remarks | Qty | Model |
|-----|----------------|------------------------|---------|-----|----------------------------------|
| 1 | 997 423 171 01 | clutch master cylinder | | 1 | I480 |
| - | 996 423 614 00 | clutch pipeline | | 1 | |
| - | 996 423 315 06 | clutch master cylinder | | 1 | |
| - | 999 166 022 02 | clutch pipeline | | 1 | |
| 2 | 997 423 147 00 | clutch master cylinder | | 1 | I098 |
| 3 | 997 423 137 00 | clutch master cylinder | | 1 | I098 CARRERA 2 CARRERA 2-S |
| (3) | 997 423 137 25 | clutch master cylinder | | 1 | I098 CARRERA 4 CARRERA 4-S |
| 4 | 996 423 138 04 | clutch master cylinder | | 1 | I099 CARRERA 2 CARRERA 2-S |
| (4) | 997 423 138 25 | clutch master cylinder | | 1 | I099 CARRERA 4 CARRERA 4-S |
| 5 | 996 423 140 02 | clutch master cylinder | | 1 | I099 |
| 6 | 996 423 142 02 | clutch master cylinder | | 1 | I099 |
| - | 999 703 421 40 | clutch master cylinder | | 1 | I249 |
| 7 | 900 378 217 09 | clutch master cylinder | | 2 | |
| 8 | 996 423 107 10 | clutch master cylinder | | 1 | I098 |
| (8) | 997 423 108 00 | clutch master cylinder | | 1 | I099 |
| - | 999 702 174 50 | clutch master cylinder | | 1 | I098 |
| 9 | 997 423 109 00 | clutch master cylinder | | 1 | |
| 10 | 997 423 113 00 | clutch master cylinder | | 1 | |
| 11 | 999 507 495 40 | clutch master cylinder | | 1 | |
| 12 | 999 230 541 10 | clutch master cylinder | | 3 | |
| 13 | 999 707 333 40 | clutch master cylinder | | 1 | |

| | | | | | | | | | | | |
|-------|------|----|----|--------------|--------------|--------|------|------------|---------|-----|---------|
| Model | Year | MG | SG | Illustration | Restrictions | Update | | | | | |
| 997 | 07 | 7 | 02 | 702-08 | | 203 | 7:32 | 28.08.2006 | PORSCHE | PET | PORSCHE |

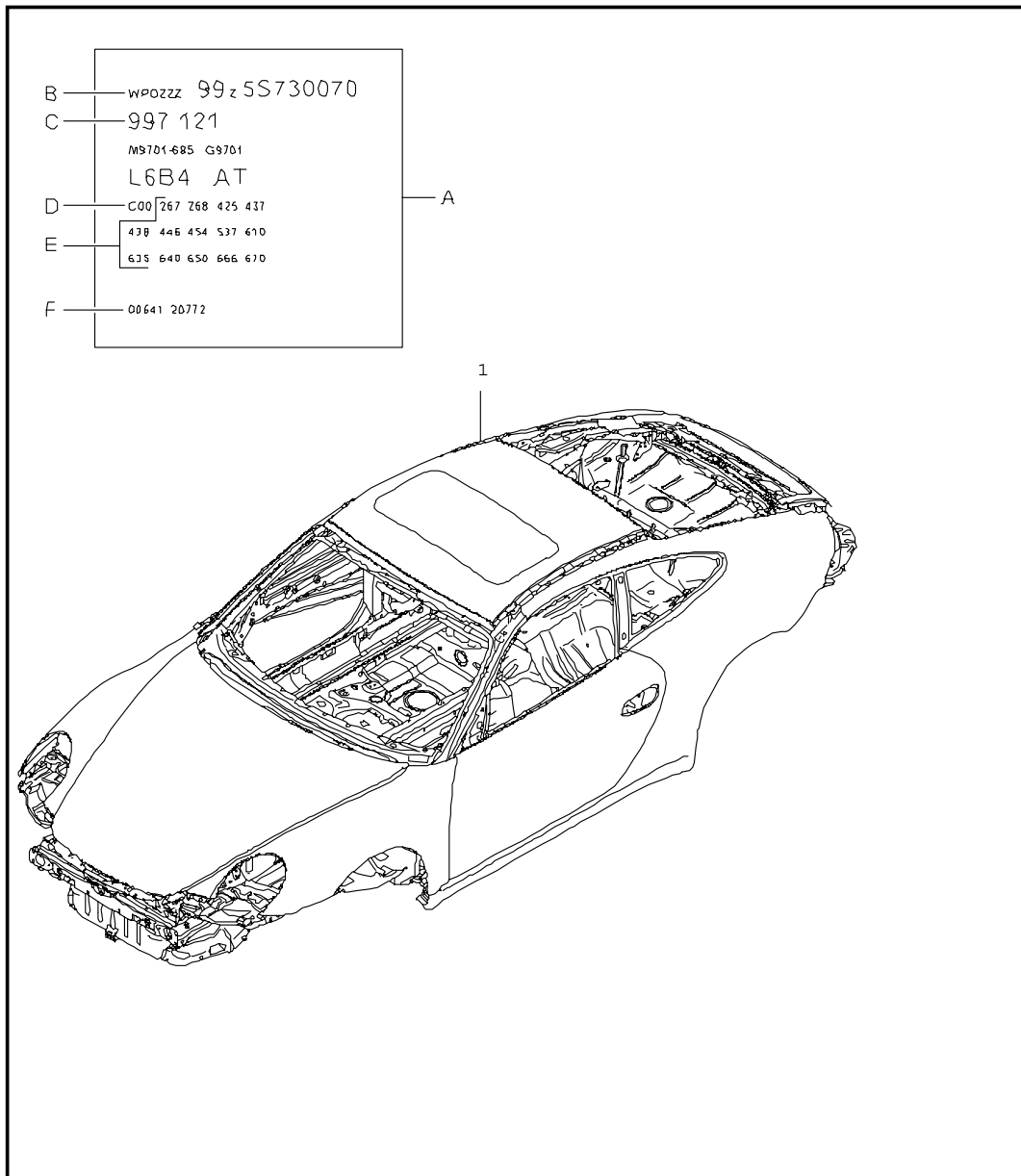
| Pos | Part Number | Name | Remarks | Qty | Model | Pos | Part Number | Name | Remarks | Qty | Model |
|-----|----------------|-------------------------------|---------|-----|-------|-----|-------------|------|---------|-----|-------|
| 14 | 997 423 377 00 | clutch hose | | 1 | | | | | | | |
| 15 | 996 355 549 00 | support | | 1 | | | | | | | |
| 16 | 996 355 545 00 | support | | 2 | | | | | | | |
| 17 | 996 355 543 00 | support | | 4 | | | | | | | |
| 18 | 999 702 216 42 | grommet | | 1 | | | | | | | |
| 19 | 999 702 217 41 | grommet | | 1 | I249 | | | | | | |
| - | 999 507 586 40 | cable holder | | 1 | | | | | | | |
| 20 | 999 707 333 40 | sealing ring 6,07 X 1,78N | | 1 | | | | | | | |
| 21 | 999 507 586 40 | cable holder | | 1 | | | | | | | |
| 22 | 997 116 237 01 | clutch operating cylinder | | 1 | | | | | | | |
| - | 900 075 222 09 | hexagon-head bolt M 8 X 30 | | 2 | | | | | | | |
| | | - - - E N D - - - | | | | | | | | | |

| | | | | | | | | | | | |
|-------|------|----|----|--------------|--------------|--------|------|------------|---------|-----|---------|
| Model | Year | MG | SG | Illustration | Restrictions | Update | | | | | |
| 997 | 07 | 7 | 02 | 702-10 | | 203 | 7:32 | 28.08.2006 | PORSCHE | PET | PORSCHE |



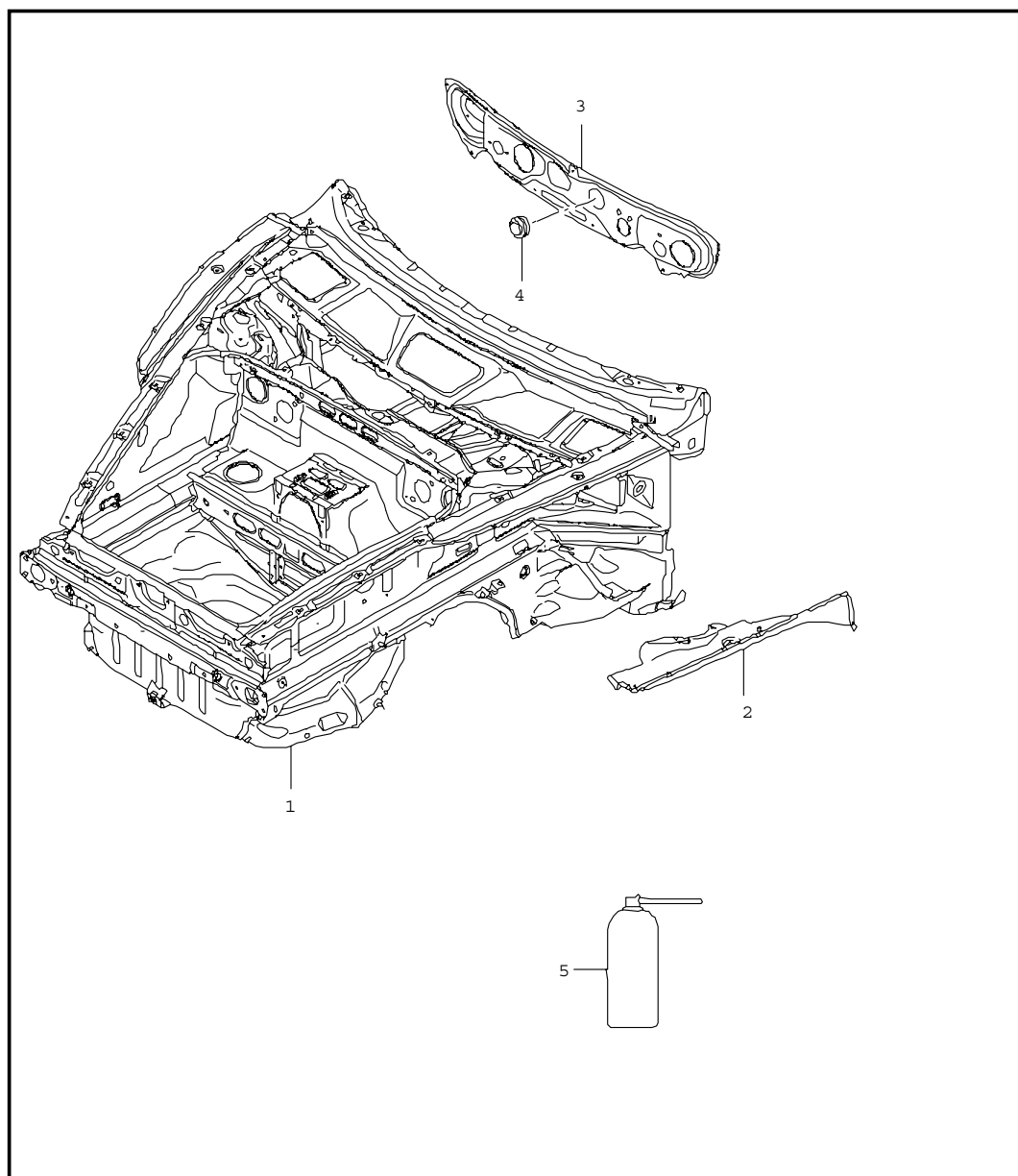
| Pos | Part Number | Name | Remarks | Qty | Model |
|-------------------|----------------|-------------------------------|---------|-----|-------|
| | | pedals accelerator control | | | |
| 1 | 997 423 019 02 | accelerator control | | 1 | I480 |
| (1) | 997 423 021 02 | accelerator control | | 1 | I249 |
| 2 | 900 146 161 09 | round head screw M 6 X 20 | | 1 | |
| - - - E N D - - - | | | | | |

| | | | | | | | | | | | |
|-------|------|----|----|--------------|--------------|--------|------|------------|---------|-----|---------|
| Model | Year | MG | SG | Illustration | Restrictions | Update | 7:32 | 28.08.2006 | PORSCHE | PET | PORSCHE |
| 997 | 07 | 8 | 01 | 801-00 | | 203 | | | | | |



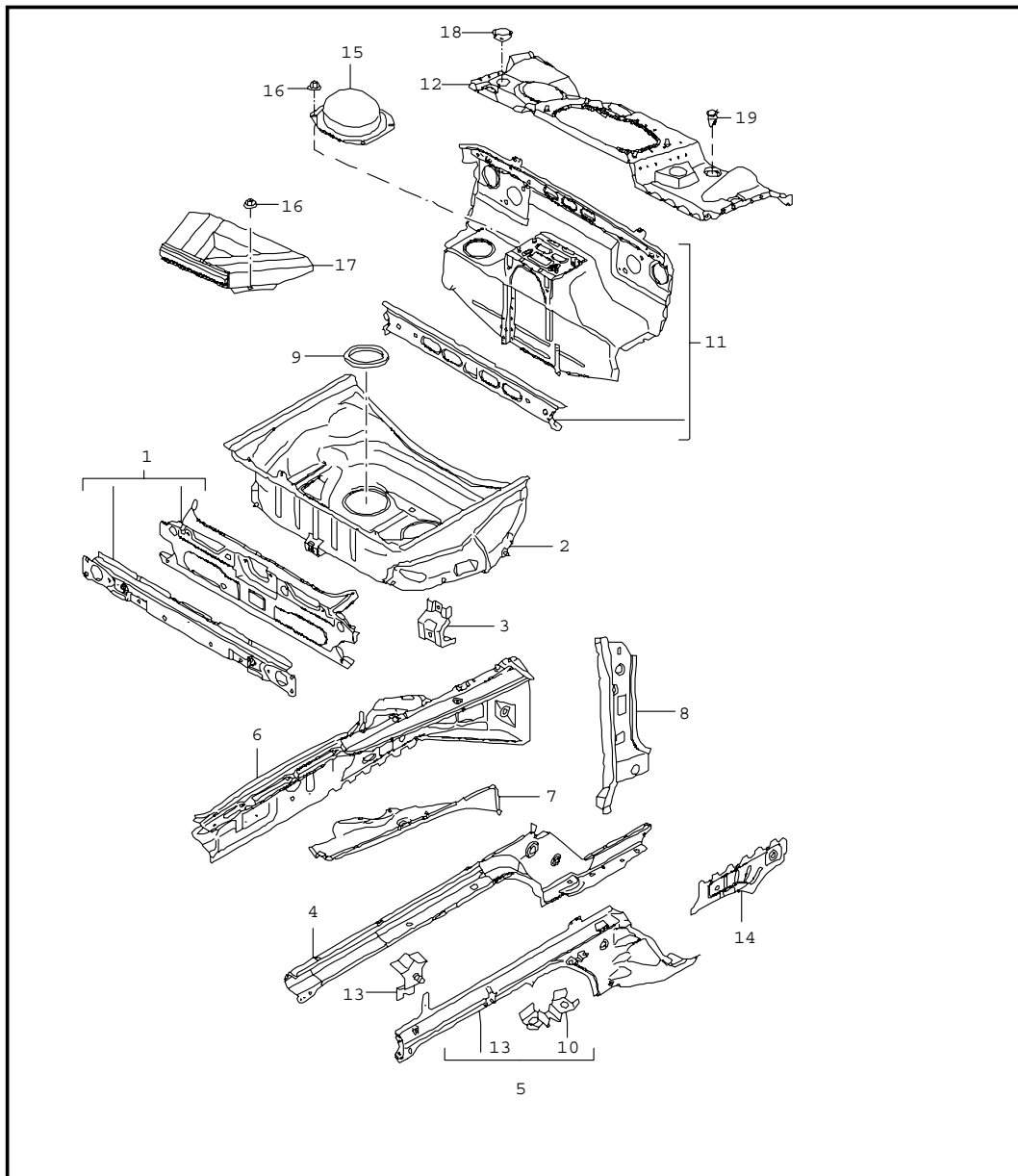
| Pos | Part Number | Name | Remarks | Qty | Model |
|-----|----------------|---|---------|-----|-------|
| | | body in white | | | |
| | | prime coated sealed with underbody protection with doors/lids/wings | | | |
| | | bodyshells can only be delivered of the current model year | | | |
| | | the data (b-f) that you need for your order please find in the data vehicle data bank in on-board folder please indicate this data in your order | | | |
| A | - | data bank of the car | | | |
| B | - | vehicle identification no. | | | |
| C | - | order type | | | |
| D | - | country equipment | | | |
| E | - | optional extras | | | |
| F | - | additional applications | | | |
| 1 | 997 500 900 00 | body in white | | 1 | |
| | GRV | prime coated | | | |
| | | - - - E N D - - - | | | |

| | | | | | | | | | | | |
|-------|------|----|----|--------------|--------------|--------|------|------------|---------|-----|---------|
| Model | Year | MG | SG | Illustration | Restrictions | Update | 7:33 | 28.08.2006 | PORSCHE | PET | PORSCHE |
| 997 | 07 | 8 | 01 | 801-05 | | 203 | | | | | |



| Pos | Part Number | Name | Remarks | Qty | Model |
|-----|----------------|--|---------|-----|-------|
| 1 | 997 501 911 00 | body front section | | 1 | I338 |
| | GRV | prime coated use also: sealing compound Pos. 5 processing instructions see technical manual | | | |
| 1 | 997 501 911 01 | body front section | /LL | 1 | I339 |
| | GRV | prime coated use also: sealing compound Pos. 5 processing instructions see technical manual | | | |
| 1 | 997 501 911 02 | body front section | /RL | 1 | I339 |
| | GRV | prime coated use also: sealing compound Pos. 5 processing instructions see technical manual | | | |
| | | use also: | | | |
| 2 | 997 501 945 00 | bottom half | /L | 1 | |
| | GRV | prime coated | | | |
| (2) | 997 501 946 00 | bottom half | /R | 1 | |
| | GRV | prime coated | | | |
| 3 A | 997 504 121 00 | cover | /LL | 1 | |
| (3) | 997 504 121 01 | cover | /RL | 1 | |
| | | use also: | | | |
| -- | 000 043 300 94 | adhesive set | | 1 | |
| 4 | 999 702 255 41 | cover 62,5 X 72,6 | | 1 | |
| 5 | 999 915 337 40 | sealing compound | | 1 | |
| | | - - - E N D - - - | | | |

| | | | | | | | | | | | |
|-------|------|----|----|--------------|--------------|--------|------|------------|---------|-----|---------|
| Model | Year | MG | SG | Illustration | Restrictions | Update | 7:33 | 28.08.2006 | PORSCHE | PET | PORSCHE |
| 997 | 07 | 8 | 01 | 801-10 | | 203 | | | | | |

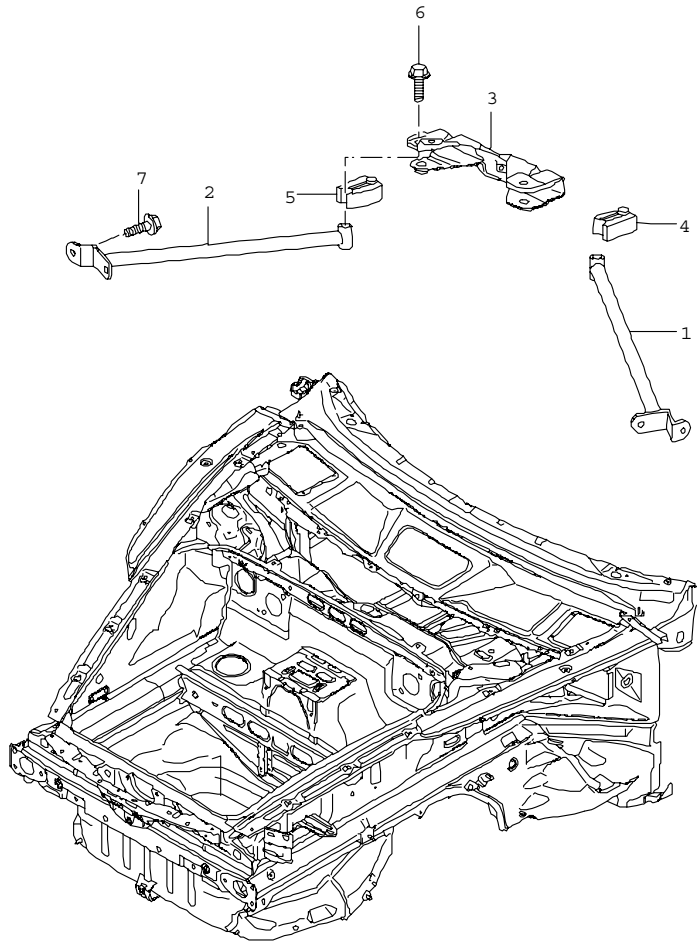


| Pos | Part Number | Name | Remarks | Qty | Model |
|-----|----------------|------------------------------------|---------|-----|-------|
| | | body front section single parts | | | |
| 1 | 997 501 931 00 | terminal piece | | 1 | |
| | GRV | prime coated | | | |
| 2 | 997 501 979 00 | spare-wheel well | | 1 | I338 |
| | GRV | prime coated | | | |
| 2 | 997 501 979 01 | spare-wheel well | /LL | 1 | I339 |
| | GRV | prime coated | | | |
| 2 | 997 501 979 02 | spare-wheel well | /RL | 1 | I339 |
| | GRV | prime coated | | | |
| 3 | 996 501 621 00 | support | | 3 | |
| | GRV | prime coated | | | |
| 4 | 997 501 305 01 | side member | /L | 1 | |
| | GRV | prime coated | | | |
| (4) | 997 501 306 01 | side member | /R | 1 | |
| | GRV | prime coated | | | |
| 5 | 997 501 915 00 | side member | /L | 1 | |
| | GRV | prime coated | | | |
| (5) | 997 501 916 00 | side member | /R | 1 | |
| | GRV | prime coated | | | |
| 6 | 997 501 935 00 | wheel housing | /L | 1 | |
| | GRV | prime coated | | | |
| (6) | 997 501 936 01 | wheel housing | /R | 1 | |
| | GRV | prime coated | | | |
| 7 | 997 501 945 00 | bottom half | /L | 1 | |
| | GRV | prime coated | | | |
| (7) | 997 501 946 00 | bottom half | /R | 1 | |
| | GRV | prime coated | | | |
| 8 | 997 501 937 00 | hinge pillar | /L | 1 | |
| | GRV | prime coated | | | |

| | | | | | | | | | | | |
|-------|------|----|----|--------------|--------------|--------|------|------------|---------|-----|---------|
| Model | Year | MG | SG | Illustration | Restrictions | Update | 7:33 | 28.08.2006 | PORSCHE | PET | PORSCHE |
| 997 | 07 | 8 | 01 | 801-10 | | 203 | | | | | |

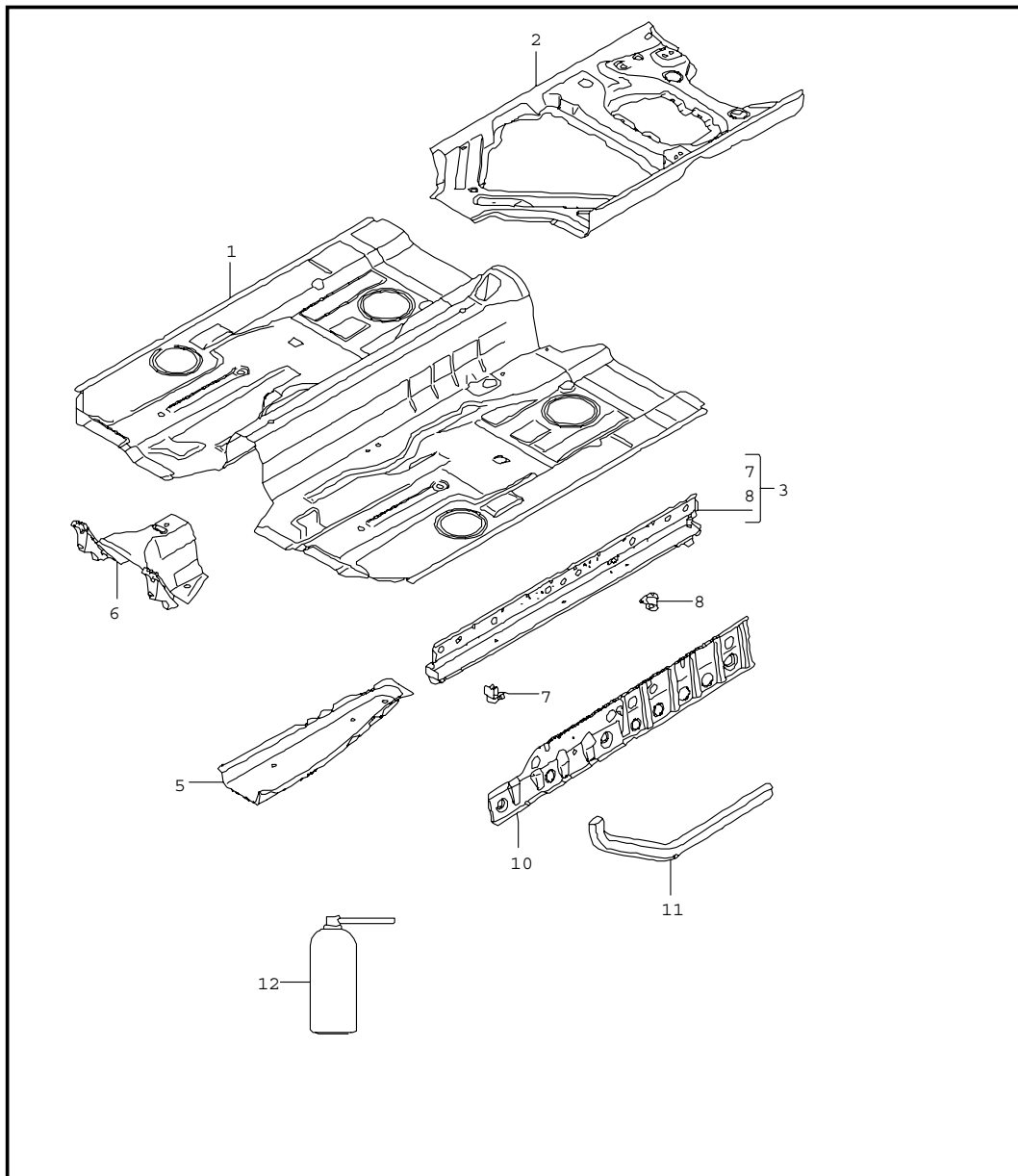
| Pos | Part Number | Name | Remarks | Qty | Model | Pos | Part Number | Name | Remarks | Qty | Model |
|------|----------------|-------------------|---------|-----|-------|-----|-------------|------|---------|-----|-------|
| (8) | 997 501 938 00 | hinge pillar | /R | 1 | | | | | | | |
| | GRV | prime coated | | | | | | | | | |
| 9 | 996 504 201 01 | cover | | 2 | | | | | | | |
| | | \$ 145 MM | | | | | | | | | |
| 10 | 996 501 815 02 | support | | 2 | | | | | | | |
| | GRV | prime coated | | | | | | | | | |
| 11 | 997 502 921 00 | bulkhead | | 1 | C2 | | | | | | |
| | GRV | prime coated | | | | | | | | | |
| (11) | 997 502 915 00 | bulkhead | /LL 06- | 1 | C4 | | | | | | |
| | GRV | prime coated | | | | | | | | | |
| (11) | 997 502 915 01 | bulkhead | /RL 06- | 1 | C4 | | | | | | |
| | GRV | prime coated | | | | | | | | | |
| 12 | 997 502 017 01 | cross panel | | 1 | | | | | | | |
| | GRV | prime coated | | | | | | | | | |
| 13 | 996 501 341 00 | support | | 2 | | | | | | | |
| | GRV | prime coated | | | | | | | | | |
| 14 | 997 501 665 01 | separator | /L | 1 | | | | | | | |
| | GRV | prime coated | | | | | | | | | |
| (14) | 997 501 666 01 | separator | /R | 1 | | | | | | | |
| | GRV | prime coated | | | | | | | | | |
| 15 | 997 504 471 00 | cover | | 1 | | | | | | | |
| | | bulkhead | | | | | | | | | |
| 16 | 900 380 015 09 | hexagon nut | | 7 | | | | | | | |
| | | M6 | | | | | | | | | |
| 17 | 997 504 403 00 | insert | | 1 | | | | | | | |
| | | spare-wheel well | | | | | | | | | |
| 18 | 803 803 583 | rubber sleeve | | 1 | | | | | | | |
| | | 30,0 X 40,0 | | | | | | | | | |
| 19 | 999 703 476 40 | grommet | | 4 | | | | | | | |
| | | 29,8 X 1,0 | | | | | | | | | |
| | | - - - E N D - - - | | | | | | | | | |

| | | | | | | | | | | | |
|-------|------|----|----|--------------|--------------|--------|------|------------|---------|-----|---------|
| Model | Year | MG | SG | Illustration | Restrictions | Update | 7:33 | 28.08.2006 | PORSCHE | PET | PORSCHE |
| 997 | 07 | 8 | 01 | 801-15 | | 203 | | | | | |



| Pos | Part Number | Name | Remarks | Qty | Model |
|-----|----------------|---------------------------------|---------|-----|-------|
| | | dome strut | | | |
| 1 | 996 504 233 01 | dome strut | /L | 1 | |
| 2 | 996 504 234 01 | dome strut | /R | 1 | |
| 3 | 997 504 359 00 | bracket | | 1 | |
| 4 | 996 504 633 00 | filler piece | /L | 1 | |
| 5 | 996 504 634 00 | filler piece | /R | 1 | |
| 6 | 900 378 100 09 | hexagon-head bolt AM 10 X 45 | | 2 | |
| 7 | 900 075 010 09 | hexagon-head bolt M 6 X 12 | | 4 | |
| | | - - - E N D - - - | | | |

| | | | | | | | | | | | |
|-------|------|----|----|--------------|--------------|--------|------|------------|---------|-----|---------|
| Model | Year | MG | SG | Illustration | Restrictions | Update | 7:34 | 28.08.2006 | PORSCHE | PET | PORSCHE |
| 997 | 07 | 8 | 01 | 801-20 | | 203 | | | | | |

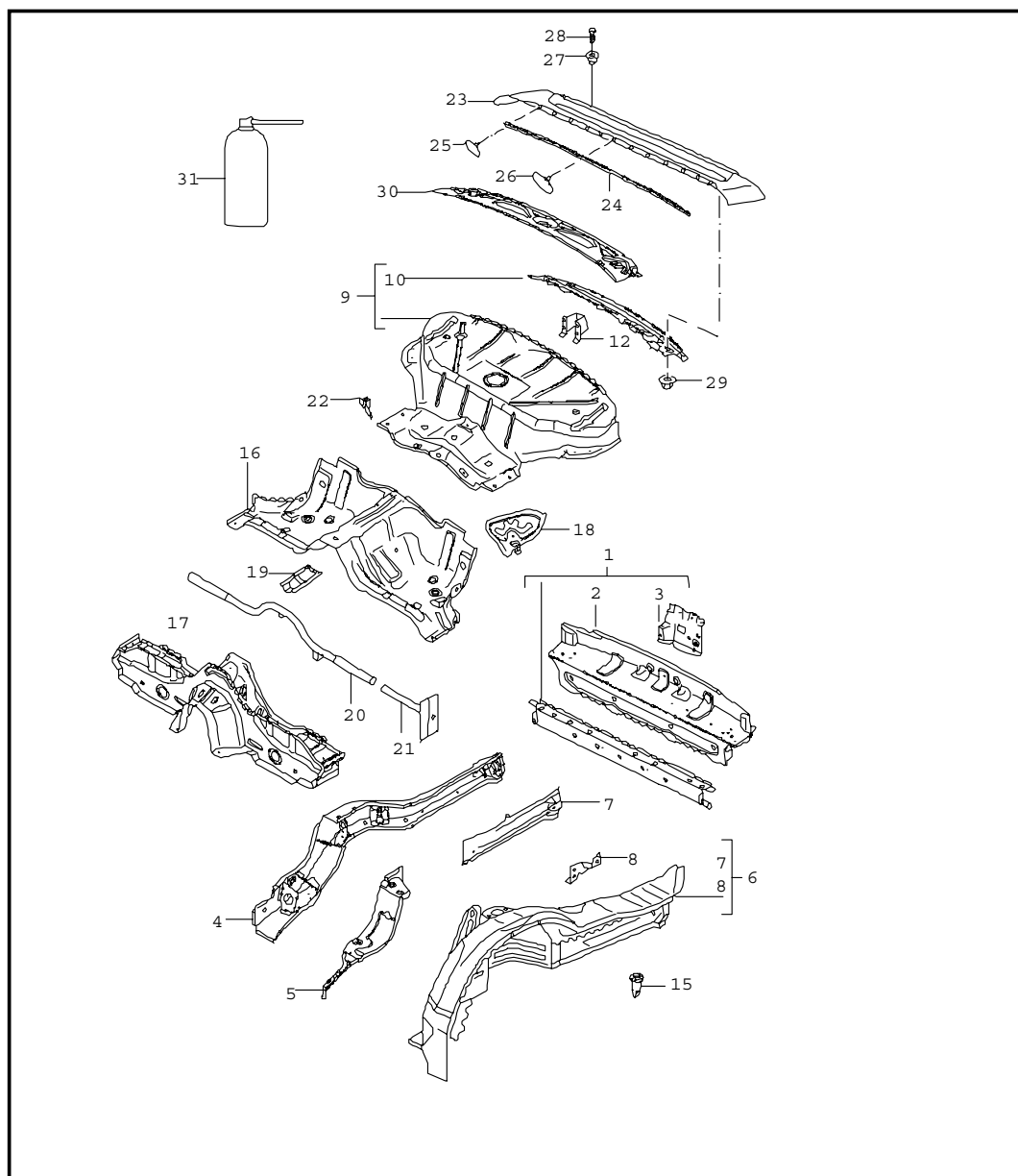


| Pos | Part Number | Name | Remarks | Qty | Model |
|-----|----------------|-------------------------------------|---------|-----|-------|
| - | 000 043 206 29 | floor centre | | X | |
| - | 000 043 206 30 | adhesive set body comprising: | | 1 | |
| - | 000 043 206 31 | adhesive | | 1 | |
| - | 000 043 206 32 | tool | | 1 | |
| - | 000 043 206 33 | mixing tube | | 1 | |
| - | 000 043 206 33 | activator | | 1 | |
| 1 | 997 501 551 00 | floor | | 1 | |
| | GRV | prime coated | | | |
| 2 | 997 501 953 00 | seat support | /L | 1 | |
| | GRV | prime coated | | | |
| (2) | 997 501 954 00 | seat support | /R | 1 | |
| | GRV | prime coated | | | |
| 3 | 997 501 157 00 | side member | /L | 1 | |
| | GRV | prime coated | | | |
| (3) | 997 501 158 00 | side member | /R | 1 | |
| | GRV | prime coated | | | |
| 5 | 997 501 525 00 | extension | /L | 1 | |
| | GRV | prime coated | | | |
| (5) | 997 501 526 00 | extension | /R | 1 | |
| | GRV | prime coated | | | |
| 6 | 996 501 751 00 | extension | | 1 | |
| | GRV | prime coated | | | |
| 7 | 996 501 785 00 | jacking point | /L/V | 1 | |
| | GRV | prime coated | | | |
| (7) | 996 501 786 00 | jacking point | /R/V | 1 | |
| | GRV | prime coated | | | |
| 8 | 996 501 481 01 | jacking point | /L/H | 1 | |
| | GRV | prime coated | | | |

| | | | | | | | | | | | |
|-------|------|----|----|--------------|--------------|--------|------|------------|---------|-----|---------|
| Model | Year | MG | SG | Illustration | Restrictions | Update | | | | | |
| 997 | 07 | 8 | 01 | 801-20 | | 203 | 7:34 | 28.08.2006 | PORSCHE | PET | PORSCHE |

| Pos | Part Number | Name | Remarks | Qty | Model | Pos | Part Number | Name | Remarks | Qty | Model |
|------|----------------|-------------------------|---------|-----|-------|-----|-------------|------|---------|-----|-------|
| (8) | 996 501 482 01 | jacking point | /R/H | 1 | | | | | | | |
| | GRV | prime coated | | | | | | | | | |
| 10 | 997 501 329 00 | retaining bracket | /L | 1 | | | | | | | |
| | GRV | prime coated | | | | | | | | | |
| (10) | 997 501 330 00 | retaining bracket | /R | 1 | | | | | | | |
| | GRV | prime coated | | | | | | | | | |
| 11 | 997 501 439 00 | support tube | | 2 | | | | | | | |
| | GRV | prime coated | | | | | | | | | |
| | | use also: | | | | | | | | | |
| | | sealing compound | | | | | | | | | |
| | | Pos. 12 | | | | | | | | | |
| | | processing instructions | | | | | | | | | |
| | | see technical manual | | | | | | | | | |
| | | 51 49 55 | | | | | | | | | |
| 12 | 999 915 337 40 | sealing compound | | 1 | | | | | | | |
| | | - - - E N D - - - | | | | | | | | | |

| | | | | | | | | | | | |
|-------|------|----|----|--------------|--------------|--------|------|------------|---------|-----|---------|
| Model | Year | MG | SG | Illustration | Restrictions | Update | 7:34 | 28.08.2006 | PORSCHE | PET | PORSCHE |
| 997 | 07 | 8 | 01 | 801-35 | | 203 | | | | | |



| Pos | Part Number | Name | Remarks | Qty | Model |
|-----|----------------|---|---------|-----|--------|
| | | rear end | | | |
| 1 | 997 501 973 00 | terminal piece | | 1 | |
| | GRV | prime coated | | | |
| 2 | 997 501 273 00 | end plate | | 1 | |
| | GRV | prime coated | | | |
| 3 | 997 501 247 00 | lock carrier | | 1 | |
| | GRV | prime coated | | | |
| 4 | 997 501 977 00 | side member | /L | 1 | |
| | GRV | prime coated use also: sealing compound Pos. 31 processing instructions see technical manual 53 48 55 | | | |
| (4) | 997 501 978 00 | side member | /R | 1 | |
| | GRV | prime coated use also: sealing compound Pos. 31 processing instructions see technical manual 53 48 55 | | | |
| 5 | 996 501 933 00 | side member | /L | 1 | |
| | GRV | prime coated outer | | | |
| (5) | 996 501 934 00 | side member | /R | 1 | |
| | GRV | prime coated outer | | | |
| 6 | 997 501 943 00 | wheel housing | /L | 1 | |
| | GRV | prime coated it is necessary to rework see workshop manual | | | CABRIO |
| (6) | 997 501 944 00 | wheel housing | /R | 1 | |
| | GRV | prime coated it is necessary to rework see workshop manual | | | CABRIO |
| 7 | 996 501 595 01 | side member | /L | 1 | |

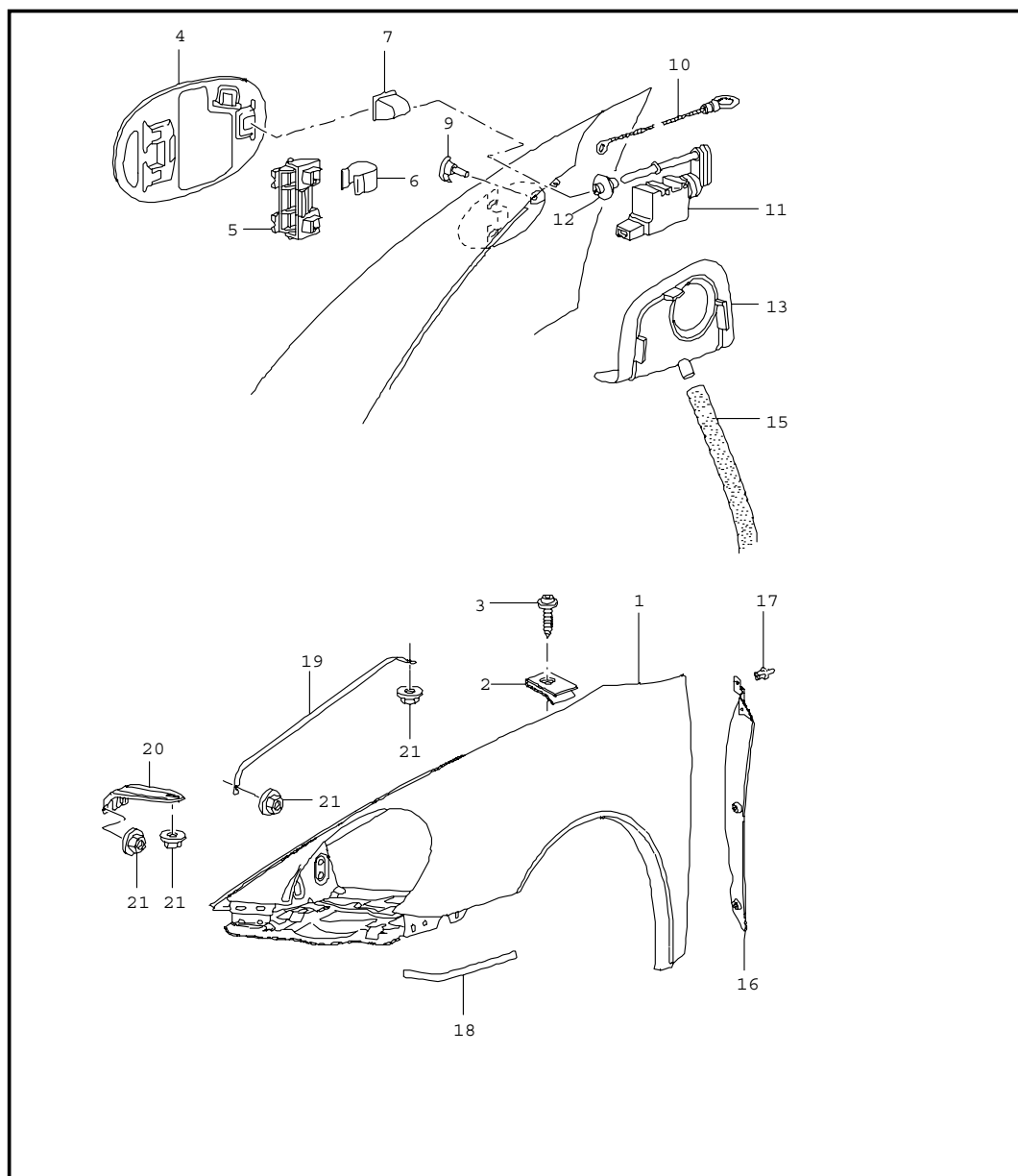
| | | | | | | | | | | | |
|-------|------|----|----|--------------|--------------|--------|------|------------|---------|-----|---------|
| Model | Year | MG | SG | Illustration | Restrictions | Update | 7:34 | 28.08.2006 | PORSCHE | PET | PORSCHE |
| 997 | 07 | 8 | 01 | 801-35 | | 203 | | | | | |

| Pos | Part Number | Name | Remarks | Qty | Model | Pos | Part Number | Name | Remarks | Qty | Model |
|------|----------------|---|---------|-----|--------|------|--|---|---------|-----|--------|
| | | GRV prime coated | | | | 19 | 996 501 659 01 | bracket | | 1 | |
| (7) | 996 501 596 01 | side member | /R | 1 | | | GRV prime coated | | | | |
| | | GRV prime coated | | | | 20 | 996 501 411 00 | pipe | | 1 | |
| 8 | 996 501 571 00 | bracket | /L | 1 | CABRIO | | GRV prime coated | | | | |
| | | GRV prime coated | | | | 21 | 996 501 415 00 | sleeve | | 2 | |
| (8) | 996 501 572 00 | bracket | /R | 1 | CABRIO | | GRV prime coated | | | | |
| | | GRV prime coated | | | | 22 | 997 501 611 00 | mounting | /L | 1 | CABRIO |
| 9 | 997 502 911 00 | rear wall | | 1 | | | GRV prime coated roll-over bar | | | | |
| | | GRV prime coated order also: POS. 12 see workshop manual | | | CABRIO | (22) | 997 501 612 00 | mounting | /R | 1 | CABRIO |
| 10 | 997 502 673 00 | cross member | | 1 | COUPE | | GRV prime coated roll-over bar | | | | |
| | | GRV prime coated | | | | 23 | 997 504 345 00 | rear centre panel outer | | 1 | COUPE |
| (10) | 997 502 673 01 | cross member | | 1 | CABRIO | | GRV prime coated | | | | |
| | | GRV prime coated | | | | 24 | 997 504 612 00 | gasket rear centre panel prime coated | | 1 | COUPE |
| (10) | 997 502 561 00 | cross member | | 1 | CABRIO | | | | | | |
| | | GRV prime coated upper part | | | | 25 | 999 507 973 40 | mount 2,8 X 6 X 30 | | 2 | COUPE |
| 12 | 997 502 525 00 | bracket | | 1 | CABRIO | | | | | | |
| | | GRV prime coated | | | | 26 | 999 507 974 40 | mount 2,8 X 6 X 50 | | 10 | COUPE |
| 15 | 996 561 825 00 | water drain valve wheel housing rear | | 2 | | | | | | | |
| | | | | | | 27 | 999 500 109 02 | blind rivet nut M 6/0,8 - 3 | | 3 | COUPE |
| 16 | 997 501 549 00 | seat well | | 1 | | | | | | | |
| | | GRV prime coated | | | | 28 | 999 073 263 09 | screw M 6 X 12 | | 3 | COUPE |
| 17 | 997 501 955 00 | cross member | | 1 | | | | | | | |
| | | GRV prime coated | | | | 29 | 999 076 029 02 | hexagon nut M 6 | | 2 | |
| 18 | 996 501 461 02 | reinforcement | /L | 1 | | | | | | | |
| | | GRV prime coated | | | | 30 | 997 502 409 01 | filler plate | | 1 | COUPE |
| | | | | | | | GRV prime coated rear centre panel use also: | | | | |
| (18) | 996 501 462 02 | reinforcement | /R | 1 | | - | 999 915 650 40 | adhesive TEROMIX 6700 | | X | |
| | | GRV prime coated | | | | - | 000 043 300 48 | tool | | X | |
| | | | | | | | | use also: | | | |

| | | | | | | | | | | | |
|-------|------|----|----|--------------|--------------|--------|------|------------|---------|-----|---------|
| Model | Year | MG | SG | Illustration | Restrictions | Update | | | | | |
| 997 | 07 | 8 | 01 | 801-35 | | 203 | 7:34 | 28.08.2006 | PORSCHE | PET | PORSCHE |

| Pos | Part Number | Name | Remarks | Qty | Model | Pos | Part Number | Name | Remarks | Qty | Model |
|-----|----------------|-------------------------------------|---------|-----|-------|-----|-------------|------|---------|-----|-------|
| - | 000 043 206 29 | adhesive set body comprising: | | X | | | | | | | |
| - | 000 043 206 30 | adhesive | | 1 | | | | | | | |
| - | 000 043 206 31 | tool | | 1 | | | | | | | |
| - | 000 043 206 32 | tool | | 1 | | | | | | | |
| - | 000 043 206 33 | activator | | 1 | | | | | | | |
| 31 | 999 915 337 40 | sealing compound | | 1 | | | | | | | |
| | | - - - E N D - - - | | | | | | | | | |

| | | | | | | | | | | | |
|-------|------|----|----|--------------|--------------|--------|------|------------|---------|-----|---------|
| Model | Year | MG | SG | Illustration | Restrictions | Update | 7:34 | 28.08.2006 | PORSCHE | PET | PORSCHE |
| 997 | 07 | 8 | 01 | 801-40 | | 203 | | | | | |

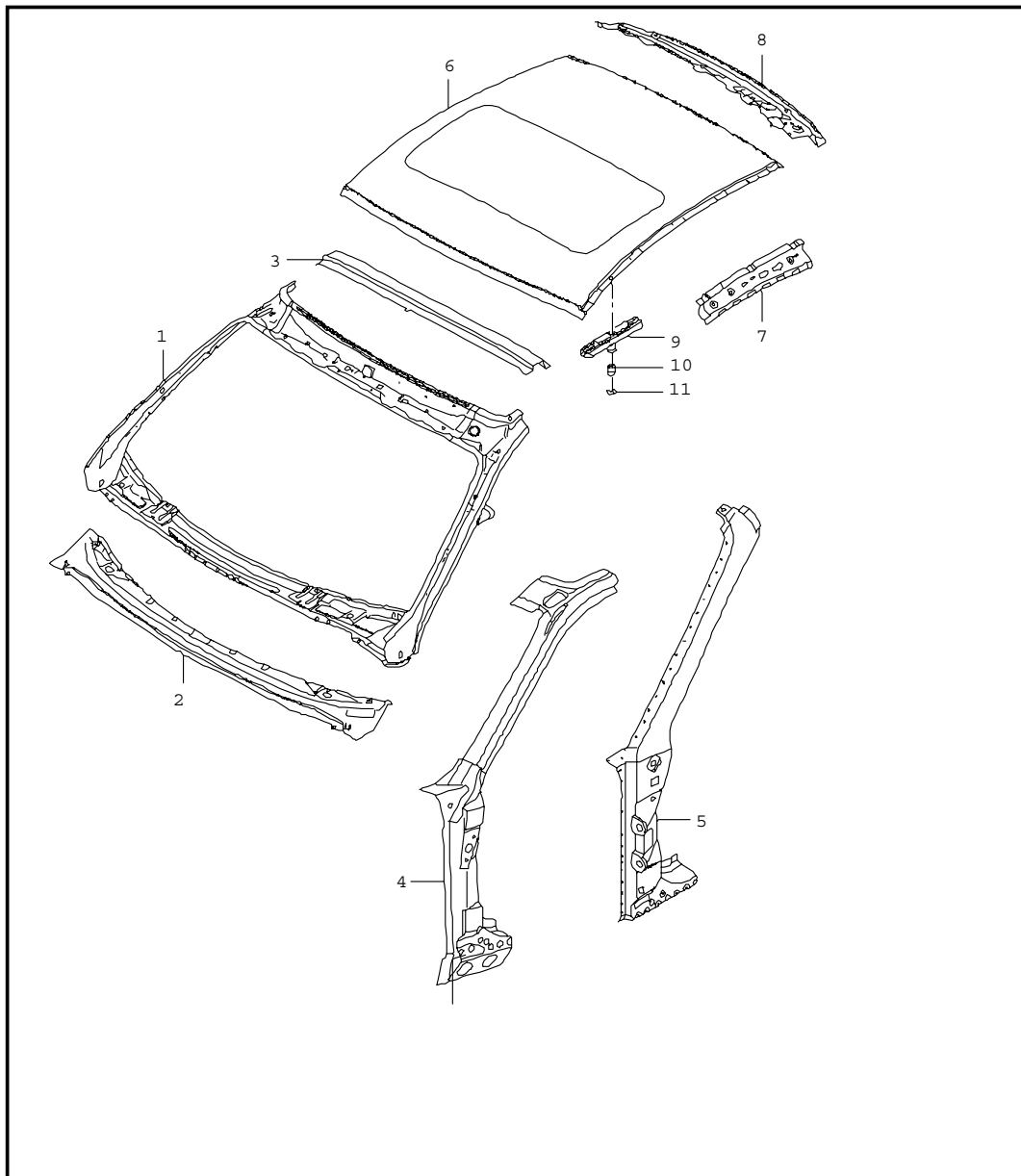


| Pos | Part Number | Name | Remarks | Qty | Model |
|------|----------------|---------------------------------|---------|-----|-------|
| 1 | 997 503 031 00 | wing | /L | 1 | |
| | GRV | prime coated | | | |
| (1) | 997 503 032 00 | wing | /R | 1 | |
| | GRV | prime coated | | | |
| 2 | 999 507 003 02 | speed nut ST 6,3 | | 22 | |
| 3 | 999 073 128 02 | tapping screw ST 6,3 X 14 | | 22 | |
| 4 | 997 504 134 00 | fuel filler flap | | 1 | |
| | GRV | prime coated | | | |
| 5 | 996 201 063 00 | hinge | | 1 | |
| 6 | 996 201 413 01 | spring | | 1 | |
| 7 | 996 201 423 00 | cap | | 1 | |
| 9 | 997 504 888 01 | rubber stop | | 1 | |
| 10 | 996 201 493 00 | emergency operation | | 1 | |
| 11 | 997 624 113 00 | actuator | | 1 | |
| 12 | 996 624 505 02 | guide rose | | 1 | |
| 13 | 996 201 667 01 | sleeve | | 1 | |
| 15 | 996 201 153 00 | hose | | 1 | |
| 16 | 997 504 641 01 | cover | /L | 1 | |
| | 01C | black | | | |
| (16) | 997 504 642 01 | cover | /R | 1 | |
| | 01C | black | | | |
| 17 | 999 591 712 40 | expansion rivet A 6,0 X 12,0 | | 6 | |
| 18 | 997 504 531 00 | protective film | /L | 1 | |
| (18) | 997 504 532 00 | protective film | /R | 1 | |
| 19 | 997 504 441 00 | strut | | 2 | |
| | GRV | prime coated | | | |
| 20 | 997 504 555 00 | bracket | | 2 | |

| | | | | | | | | | | | |
|-------|------|----|----|--------------|--------------|--------|------|------------|---------|-----|---------|
| Model | Year | MG | SG | Illustration | Restrictions | Update | | | | | |
| 997 | 07 | 8 | 01 | 801-40 | | 203 | 7:34 | 28.08.2006 | PORSCHE | PET | PORSCHE |

| Pos | Part Number | Name | Remarks | Qty | Model | Pos | Part Number | Name | Remarks | Qty | Model |
|-----|----------------|---|---------|-----|-------|-----|-------------|------|---------|-----|-------|
| 21 | 900 377 010 09 | GRV prime coated nut M 6 - - - E N D - - - | | X | | | | | | | |

| | | | | | | | | | | | |
|-------|------|----|----|--------------|--------------|--------|------|------------|---------|-----|---------|
| Model | Year | MG | SG | Illustration | Restrictions | Update | 7:34 | 28.08.2006 | PORSCHE | PET | PORSCHE |
| 997 | 07 | 8 | 01 | 801-45 | | 203 | | | | | |

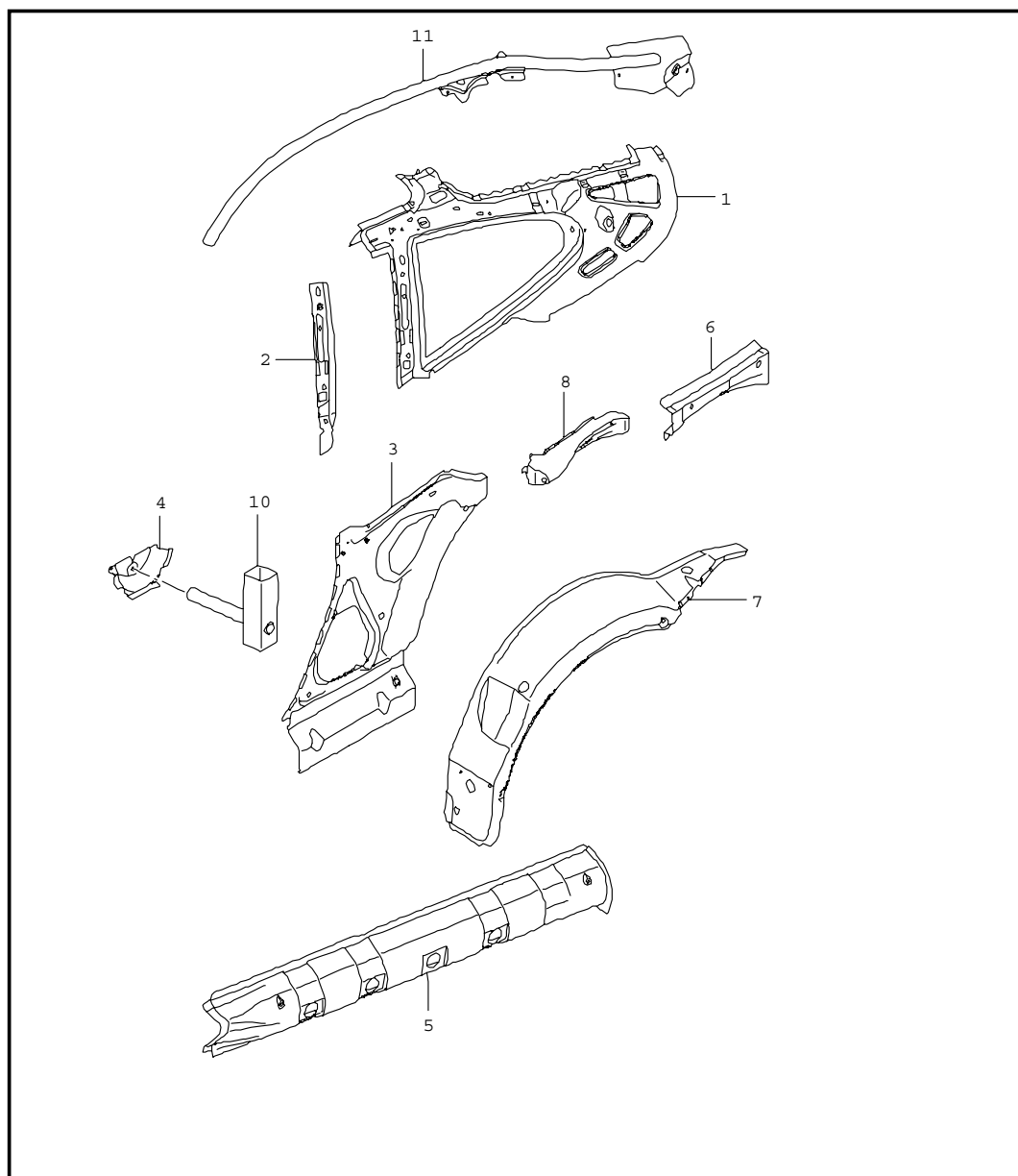


| Pos | Part Number | Name | Remarks | Qty | Model |
|-----|----------------|-------------------------------------|---------|-----|--------|
| 1 | 997 502 137 00 | cowl | | 1 | COUPE |
| | GRV | prime coated inner | | | |
| (1) | 997 502 137 01 | cowl | | 1 | CABRIO |
| | GRV | prime coated inner | | | |
| 2 | 997 502 437 00 | cowl | | 1 | |
| | GRV | prime coated outer | | | |
| 3 | 996 502 529 00 | cowl | | 1 | CABRIO |
| | GRV | prime coated outer | | | |
| 4 | 997 502 135 00 | reinforcement | /L | 1 | COUPE |
| | GRV | prime coated inner use also: | | | |
| (4) | 997 502 136 00 | reinforcement | /R | 1 | COUPE |
| | GRV | prime coated inner use also: | | | |
| (4) | 997 502 135 01 | reinforcement | /L | 1 | CABRIO |
| | GRV | prime coated inner use also: | | | |
| (4) | 997 502 136 01 | reinforcement | /R | 1 | CABRIO |
| | GRV | prime coated inner use also: | | | |
| - | 000 043 206 29 | adhesive set body comprising: | | X | |
| - | 000 043 206 30 | adhesive | | 1 | |
| - | 000 043 206 31 | tool | | 1 | |
| - | 000 043 206 32 | tool | | 1 | |
| - | 000 043 206 33 | activator | | 1 | |

| | | | | | | | | | | | |
|-------|------|----|----|--------------|--------------|--------|------|------------|---------|-----|---------|
| Model | Year | MG | SG | Illustration | Restrictions | Update | | | | | |
| 997 | 07 | 8 | 01 | 801-45 | | 203 | 7:34 | 28.08.2006 | PORSCHE | PET | PORSCHE |

| Pos | Part Number | Name | Remarks | Qty | Model | Pos | Part Number | Name | Remarks | Qty | Model |
|-----|----------------|---|---------|-----|----------|-----|----------------|-------------------------|---------|-----|-------|
| 5 | 997 502 335 00 | hinge pillar | /L | 1 | CABRIO | 9 | 996 504 911 00 | plate with threaded pin | | X | |
| | GRV | prime coated use also: | | | | | | | | | |
| (5) | 997 502 336 00 | hinge pillar | /R | 1 | CABRIO | 10 | 996 504 505 00 | threaded bush | | X | |
| | GRV | prime coated use also: | | | | 11 | 900 025 008 09 | washer A 10,5 | | X | |
| - | 000 043 206 29 | adhesive set body comprising: | | X | | | | | | | |
| - | 000 043 206 30 | adhesive | | 1 | | | | | | | |
| - | 000 043 206 31 | tool | | 1 | | | | | | | |
| - | 000 043 206 32 | tool | | 1 | | | | | | | |
| - | 000 043 206 33 | activator | | 1 | | | | | | | |
| (6) | 996 503 501 00 | outer roof panel | | 1 | | | | | | | |
| | GRV | prime coated use also: | | | | | | | | | |
| (6) | 997 503 501 00 | outer roof panel | | 1 | I461 | | | | | | |
| | GRV | prime coated use also: | | | | | | | | | |
| 6 | 996 503 087 03 | outer roof panel | | 1 | I650 | | | | | | |
| | GRV | prime coated use also: | | | | | | | | | |
| 6 | 997 503 087 00 | outer roof panel | | 1 | I650/461 | | | | | | |
| | GRV | prime coated use also: | | | | | | | | | |
| - | 000 043 204 38 | sealing material 70 ML processing instructions see technical manual | | X | | | | | | | |
| 7 | 996 502 305 03 | roof frame | /L | 1 | COUPE | | | | | | |
| | GRV | prime coated | | | | | | | | | |
| (7) | 996 502 306 03 | roof frame | /R | 1 | COUPE | | | | | | |
| | GRV | prime coated | | | | | | | | | |
| 8 | 997 502 505 00 | roof frame | | 1 | | | | | | | |
| | GRV | prime coated | | | | | | | | | |

| | | | | | | | | | | | |
|-------|------|----|----|--------------|--------------|--------|------|------------|---------|-----|---------|
| Model | Year | MG | SG | Illustration | Restrictions | Update | 7:35 | 28.08.2006 | PORSCHE | PET | PORSCHE |
| 997 | 07 | 8 | 01 | 801-50 | | 203 | | | | | |

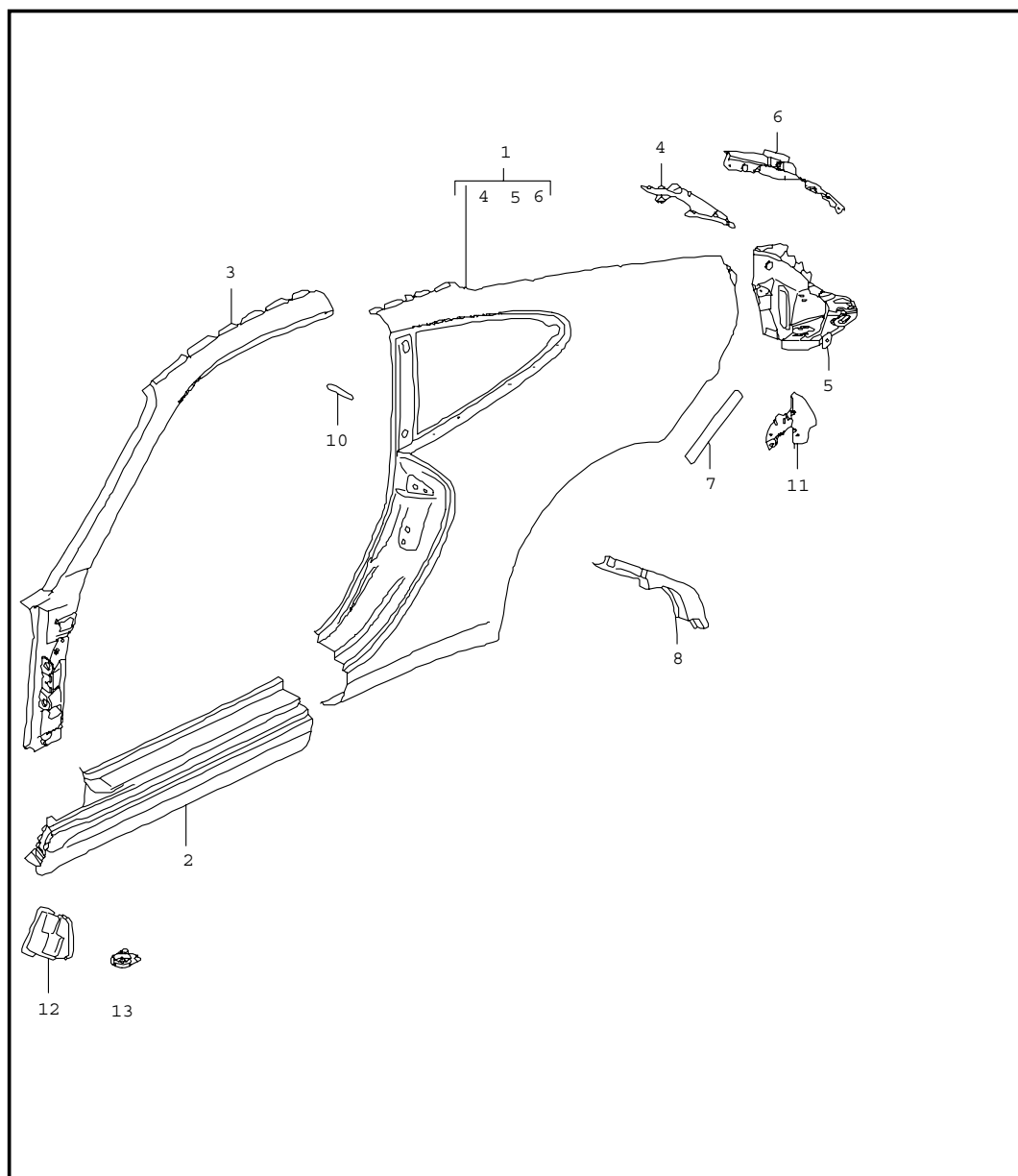


| Pos | Part Number | Name | Remarks | Qty | Model |
|-----|----------------|-------------------------------------|---------|-----|-------|
| | | side section inner | | | COUPE |
| 1 | 997 502 153 00 | side section | /L | 1 | |
| | GRV | prime coated | | | |
| (1) | 997 502 154 00 | side section | /R | 1 | |
| | GRV | prime coated | | | |
| 2 | 997 502 423 00 | reinforcement | /L | 1 | |
| | GRV | prime coated | | | |
| (2) | 997 502 424 00 | reinforcement | /R | 1 | |
| | GRV | prime coated | | | |
| 3 | 996 502 083 02 | side section | /L | 1 | |
| | GRV | prime coated | | | |
| (3) | 996 502 084 02 | side section | /R | 1 | |
| | GRV | prime coated | | | |
| 4 | 996 502 383 01 | bracket | | 2 | |
| | GRV | prime coated | | | |
| 5 | 996 502 733 01 | reinforcement | /L | 1 | |
| | GRV | prime coated use also: | | | |
| (5) | 996 502 734 01 | reinforcement | /R | 1 | |
| | GRV | prime coated use also: | | | |
| - | 000 043 206 29 | adhesive set body comprising: | | X | |
| - | 000 043 206 30 | adhesive | | 1 | |
| - | 000 043 206 31 | tool | | 1 | |
| - | 000 043 206 32 | tool | | 1 | |
| - | 000 043 206 33 | activator | | 1 | |
| 6 | 997 502 115 00 | side section | /L | 1 | |
| | GRV | prime coated | | | |
| (6) | 997 502 116 00 | side section | /R | 1 | |

| | | | | | | | | | | | |
|-------|------|----|----|--------------|--------------|--------|------|------------|---------|-----|---------|
| Model | Year | MG | SG | Illustration | Restrictions | Update | | | | | |
| 997 | 07 | 8 | 01 | 801-50 | | 203 | 7:35 | 28.08.2006 | PORSCHE | PET | PORSCHE |

| Pos | Part Number | Name | Remarks | Qty | Model | Pos | Part Number | Name | Remarks | Qty | Model |
|------|----------------|-------------------|---------|-----|-------|-----|-------------|------|---------|-----|-------|
| | | GRV prime coated | | | | | | | | | |
| 7 | 997 502 215 00 | wheel housing | /L | 1 | | | | | | | |
| | | GRV prime coated | | | | | | | | | |
| (7) | 997 502 216 00 | wheel housing | /R | 1 | | | | | | | |
| | | GRV prime coated | | | | | | | | | |
| (7) | 997 502 215 01 | wheel housing | /L 06- | 1 | C4 | | | | | | |
| | | GRV prime coated | | | | | | | | | |
| (7) | 997 502 216 01 | wheel housing | /R 06- | 1 | C4 | | | | | | |
| | | GRV prime coated | | | | | | | | | |
| 8 | 997 502 161 00 | side section | /L | 1 | | | | | | | |
| | | GRV prime coated | | | | | | | | | |
| (8) | 997 502 162 00 | side section | /R | 1 | | | | | | | |
| | | GRV prime coated | | | | | | | | | |
| 10 | 997 502 711 00 | pipe | | 2 | | | | | | | |
| | | GRV prime coated | | | | | | | | | |
| 11 | 997 502 619 00 | pipe | /L | 1 | | | | | | | |
| | | GRV prime coated | | | | | | | | | |
| (11) | 997 502 620 00 | pipe | /R | 1 | | | | | | | |
| | | GRV prime coated | | | | | | | | | |
| | | - - - E N D - - - | | | | | | | | | |

| | | | | | | | | | | | |
|-------|------|----|----|--------------|--------------|--------|------|------------|---------|-----|---------|
| Model | Year | MG | SG | Illustration | Restrictions | Update | 7:35 | 28.08.2006 | PORSCHE | PET | PORSCHE |
| 997 | 07 | 8 | 01 | 801-55 | | 203 | | | | | |

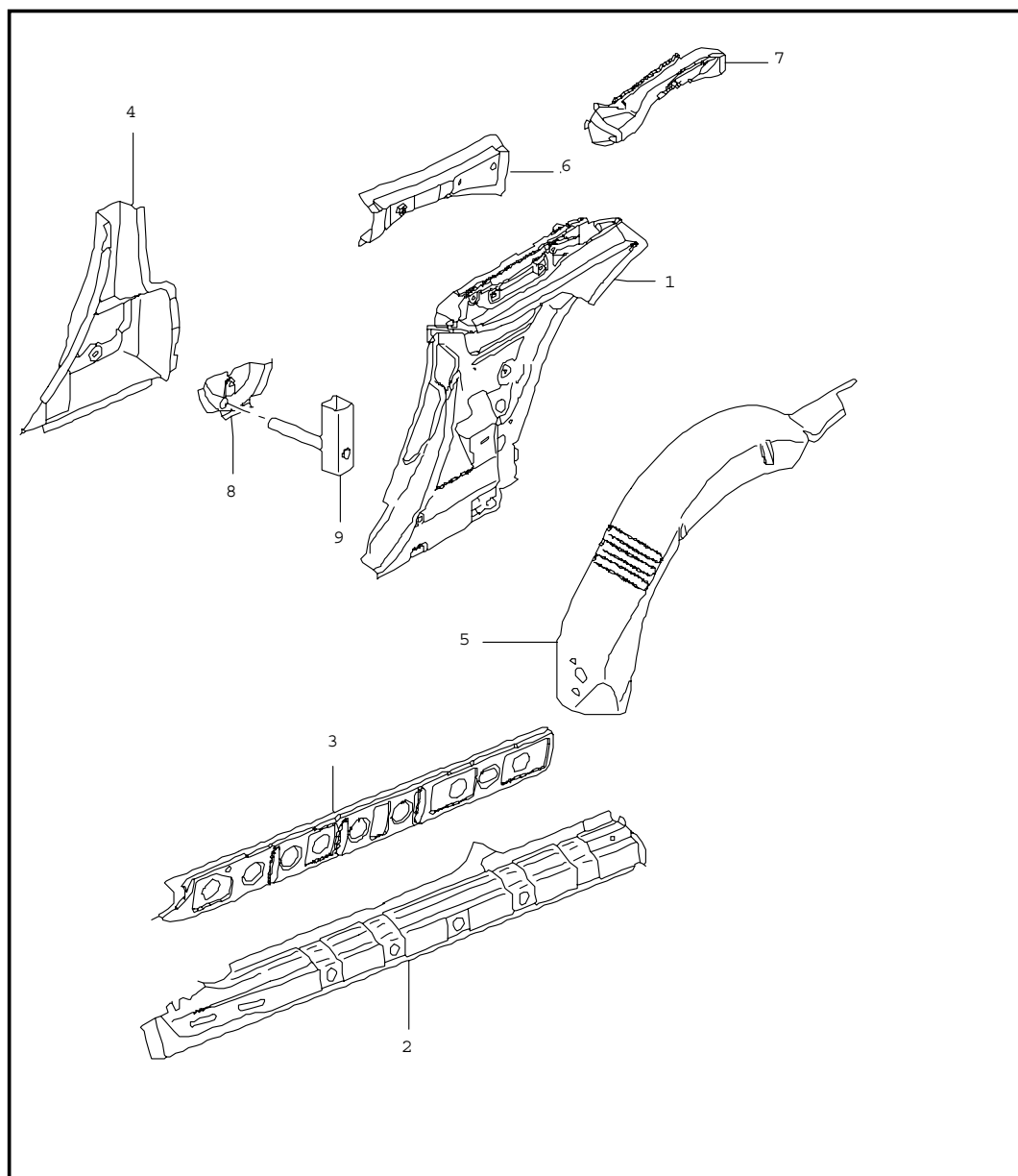


| Pos | Part Number | Name | Remarks | Qty | Model |
|-----|----------------|---|---------|-----|-------|
| | | side section outer | | | COUPE |
| 1 | 997 503 961 00 | side section | /L | 1 | |
| | GRV | prime coated | | | |
| (1) | 997 503 962 00 | side section | /R | 1 | |
| | GRV | prime coated | | | |
| (1) | 997 503 961 02 | side section | /L 06- | 1 | C4 |
| | GRV | prime coated | | | |
| (1) | 997 503 962 02 | side section | /R 06- | 1 | C4 |
| | GRV | prime coated | | | |
| | | use also: | | | |
| - | 999 915 650 40 | adhesive TEROMIX 6700 | | X | |
| - | 000 043 300 48 | tool see technical manual group 5 53 55 55 | | X | |
| 2 | 997 503 963 00 | door sill | /L | 1 | |
| | GRV | prime coated | | | |
| (2) | 997 503 964 00 | door sill | /R | 1 | |
| | GRV | prime coated | | | |
| (2) | 997 503 963 02 | door sill | /L 06- | 1 | C4 |
| | GRV | prime coated | | | |
| (2) | 997 503 964 02 | door sill | /R 06- | 1 | C4 |
| | GRV | prime coated | | | |
| 3 | 997 503 965 00 | roof frame | /L | 1 | |
| | GRV | prime coated | | | |
| (3) | 997 503 966 00 | roof frame | /R | 1 | |
| | GRV | prime coated | | | |
| (3) | 997 503 965 02 | roof frame | /L 06- | 1 | C4 |
| | GRV | prime coated | | | |
| (3) | 997 503 966 02 | roof frame | /R 06- | 1 | C4 |

| | | | | | | | | | | | |
|-------|------|----|----|--------------|--------------|--------|------|------------|---------|-----|---------|
| Model | Year | MG | SG | Illustration | Restrictions | Update | 7:35 | 28.08.2006 | PORSCHE | PET | PORSCHE |
| 997 | 07 | 8 | 01 | 801-55 | | 203 | | | | | |

| Pos | Part Number | Name | Remarks | Qty | Model | Pos | Part Number | Name | Remarks | Qty | Model |
|------|----------------|-------------------------------------|---------|-----|-------|------|----------------|-------------------------|---------|-----|-------|
| | | GRV prime coated | | | | - | 000 043 206 32 | tool | | 1 | |
| 4 | 997 502 365 00 | sealing channel | /L | 1 | | - | 000 043 206 33 | activator | | 1 | |
| | | GRV prime coated | | | | 12 | 997 572 311 00 | water protection | /L | 1 | |
| (4) | 997 502 366 00 | sealing channel | /R | 1 | | (12) | 997 572 312 00 | water protection | /R | 1 | |
| | | GRV prime coated | | | | 13 | 999 703 475 40 | drain tube door sill | | 2 | |
| 5 | 997 502 461 00 | frame for light | /L | 1 | | | | | | | |
| | | GRV prime coated | | | | | | | | | |
| (5) | 997 502 462 00 | frame for light | /R | 1 | | | | | | | |
| | | GRV prime coated | | | | | | | | | |
| 6 | 997 502 213 00 | bracket | /L | 1 | | | | | | | |
| | | GRV prime coated | | | | | | | | | |
| (6) | 997 502 214 00 | bracket | /R | 1 | | | | | | | |
| | | GRV prime coated | | | | | | | | | |
| 7 | 997 504 631 00 | protective film | | 2 | | | | | | | |
| 8 | 997 504 907 00 | seal see workshop manual | | 2 | | | | | | | |
| 9 | 997 501 487 00 | reinforcement | /L | 1 | | | | | | | |
| | | GRV prime coated | | | | | | | | | |
| (9) | 997 501 488 00 | reinforcement | /R | 1 | | | | | | | |
| | | GRV prime coated | | | | | | | | | |
| 10 | 996 537 237 00 | protective film | | 2 | | | | | | | |
| 11 | 997 501 487 00 | reinforcement | /L | 1 | | | | | | | |
| | | GRV prime coated use also: | | | | | | | | | |
| (11) | 997 501 488 00 | reinforcement | /R | 1 | | | | | | | |
| | | GRV prime coated use also: | | | | | | | | | |
| - | 000 043 206 29 | adhesive set body comprising: | | X | | | | | | | |
| - | 000 043 206 30 | adhesive | | 1 | | | | | | | |
| - | 000 043 206 31 | tool | | 1 | | | | | | | |

| | | | | | | | | | | | |
|-------|------|----|----|--------------|--------------|--------|------|------------|---------|-----|---------|
| Model | Year | MG | SG | Illustration | Restrictions | Update | 7:35 | 28.08.2006 | PORSCHE | PET | PORSCHE |
| 997 | 07 | 8 | 01 | 801-60 | | 203 | | | | | |

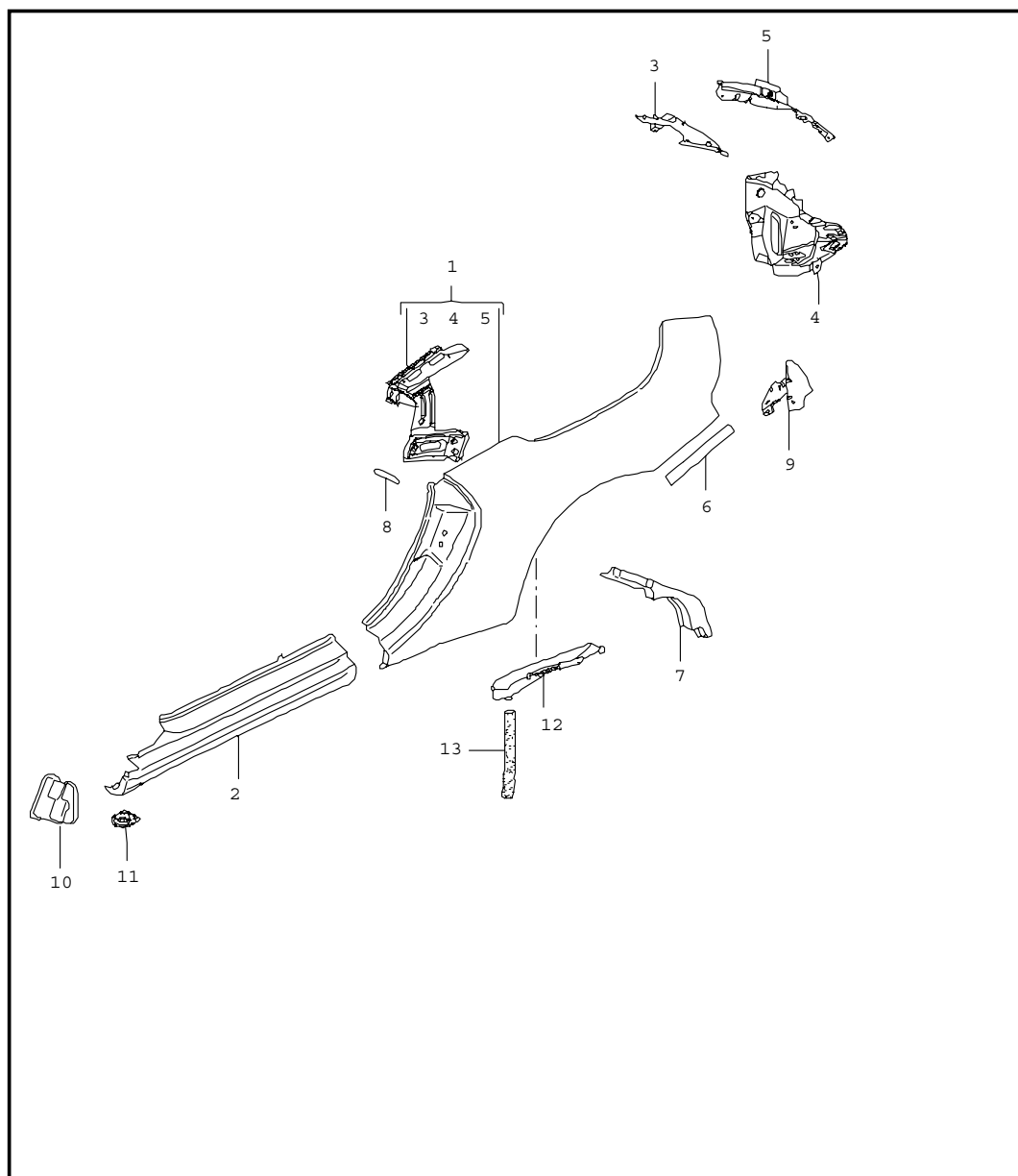


| Pos | Part Number | Name | Remarks | Qty | Model |
|-----|----------------|-------------------------------|---------|-----|--------|
| | | side section inner | | | CABRIO |
| 1 | 997 502 073 01 | side section | /L | 1 | |
| | GRV | prime coated | | | |
| (1) | 997 502 074 01 | side section | /R | 1 | |
| | GRV | prime coated | | | |
| 2 | 997 502 663 00 | reinforcement | /L | 1 | |
| | GRV | prime coated | | | |
| | | use also: | | | |
| (2) | 997 502 664 00 | reinforcement | /R | 1 | |
| | GRV | prime coated | | | |
| | | use also: | | | |
| - | 000 043 206 29 | adhesive set body comprising: | | X | |
| - | 000 043 206 30 | adhesive | | 1 | |
| - | 000 043 206 31 | tool | | 1 | |
| - | 000 043 206 32 | tool | | 1 | |
| - | 000 043 206 33 | activator | | 1 | |
| 3 | 996 502 683 01 | separator | /L | 1 | |
| | GRV | prime coated | | | |
| (3) | 996 502 684 01 | separator | /R | 1 | |
| | GRV | prime coated | | | |
| 4 | 996 502 415 01 | b-pillar | /L | 1 | |
| | GRV | prime coated | | | |
| (4) | 996 502 416 01 | b-pillar | /R | 1 | |
| | GRV | prime coated | | | |
| 5 | 997 502 215 00 | wheel housing | /L | 1 | |
| | GRV | prime coated | | | |
| (5) | 997 502 216 00 | wheel housing | /R | 1 | |
| | GRV | prime coated | | | |
| (5) | 997 502 215 01 | wheel housing | /L 06- | 1 | C4 |

| | | | | | | | | | | | |
|-------|------|----|----|--------------|--------------|--------|------|------------|---------|-----|---------|
| Model | Year | MG | SG | Illustration | Restrictions | Update | | | | | |
| 997 | 07 | 8 | 01 | 801-60 | | 203 | 7:35 | 28.08.2006 | PORSCHE | PET | PORSCHE |

| Pos | Part Number | Name | Remarks | Qty | Model | Pos | Part Number | Name | Remarks | Qty | Model |
|-----|------------------|-------------------|---------|-----|-------|-----|-------------|------|---------|-----|-------|
| | | GRV prime coated | | | | | | | | | |
| (5) | 997 502 216 01 | wheel housing | /R 06- | 1 | C4 | | | | | | |
| | | GRV prime coated | | | | | | | | | |
| 6 | 997 502 087 00 | side section | /L | 1 | | | | | | | |
| | | GRV prime coated | | | | | | | | | |
| (6) | 997 502 088 00 | side section | /R | 1 | | | | | | | |
| | | GRV prime coated | | | | | | | | | |
| 7 | 997 502 161 01 | side section | /L | 1 | | | | | | | |
| | | GRV prime coated | | | | | | | | | |
| (7) | 997 502 162 01 | side section | /R | 1 | | | | | | | |
| | | GRV prime coated | | | | | | | | | |
| 8 | 996 502 669 00 | pipe | -05 | 2 | | | | | | | |
| | | GRV prime coated | | | | | | | | | |
| 8 | N 997 502 711 01 | pipe | 06- | 2 | | | | | | | |
| | | GRV prime coated | | | | | | | | | |
| 9 | 996 502 383 01 | bracket | | 2 | | | | | | | |
| | | GRV prime coated | | | | | | | | | |
| | | - - - E N D - - - | | | | | | | | | |

| | | | | | | | | | | | |
|-------|------|----|----|--------------|--------------|--------|------|------------|---------|-----|---------|
| Model | Year | MG | SG | Illustration | Restrictions | Update | 7:35 | 28.08.2006 | PORSCHE | PET | PORSCHE |
| 997 | 07 | 8 | 01 | 801-65 | | 203 | | | | | |

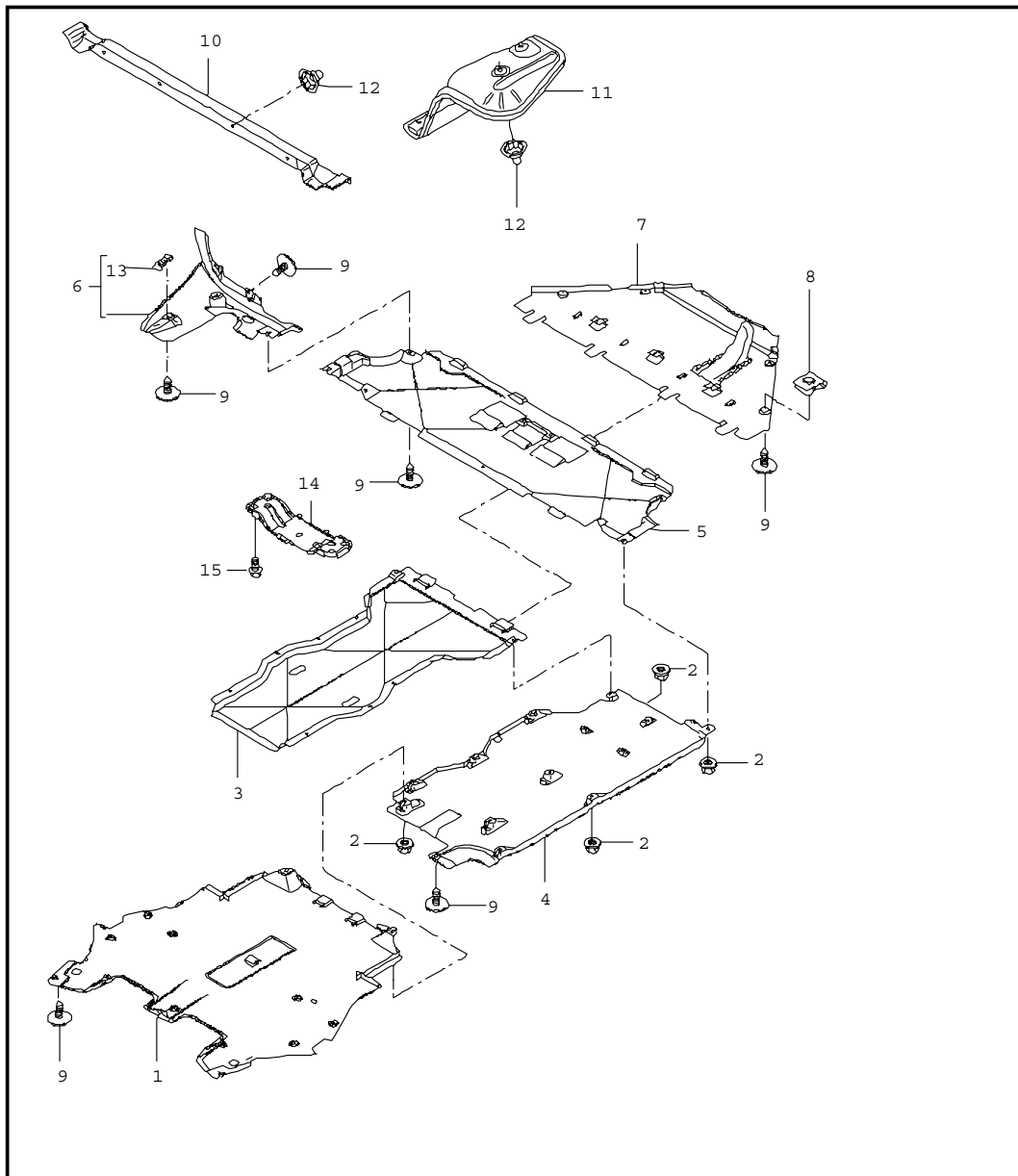


| Pos | Part Number | Name | Remarks | Qty | Model |
|-----|----------------|--|---------|-----|--------|
| | | side section outer | | | CABRIO |
| 1 | 997 503 961 01 | side section | /L | 1 | |
| | GRV | prime coated | | | |
| (1) | 997 503 962 01 | side section | /R | 1 | |
| | GRV | prime coated | | | |
| (1) | 997 503 961 03 | side section | /L 06- | 1 | C4 |
| | GRV | prime coated | | | |
| (1) | 997 503 962 03 | side section | /R 06- | 1 | C4 |
| | GRV | prime coated | | | |
| | | use also: | | | |
| - | 999 915 650 40 | adhesive TEROMIX 6700 | | X | |
| - | 000 043 300 48 | tool processing instructions see technical manual group 5 53 55 55 | | X | |
| 2 | 997 503 963 01 | door sill | /L | 1 | |
| | GRV | prime coated | | | |
| (2) | 997 503 964 01 | door sill | /R | 1 | |
| | GRV | prime coated | | | |
| (2) | 997 503 963 03 | door sill | /L 06- | 1 | C4 |
| | GRV | prime coated | | | |
| (2) | 997 503 964 03 | door sill | /R 06- | 1 | C4 |
| | GRV | prime coated | | | |
| 3 | 997 502 365 01 | sealing channel | /L | 1 | |
| | GRV | prime coated | | | |
| (3) | 997 502 366 01 | sealing channel | /R | 1 | |
| | GRV | prime coated | | | |
| 4 | 997 502 461 00 | frame for light | /L | 1 | |
| | GRV | prime coated | | | |

| | | | | | | | | | | | |
|-------|------|----|----|--------------|--------------|--------|------|------------|---------|-----|---------|
| Model | Year | MG | SG | Illustration | Restrictions | Update | 7:35 | 28.08.2006 | PORSCHE | PET | PORSCHE |
| 997 | 07 | 8 | 01 | 801-65 | | 203 | | | | | |

| Pos | Part Number | Name | Remarks | Qty | Model | Pos | Part Number | Name | Remarks | Qty | Model |
|------|----------------|---------------------------|---------|-----|-------|-----|-------------|------|---------|-----|-------|
| (4) | 997 502 462 00 | frame for light | /R | 1 | | | | | | | |
| | GRV | prime coated | | | | | | | | | |
| 5 | 997 502 213 00 | bracket | /L | 1 | | | | | | | |
| | GRV | prime coated | | | | | | | | | |
| (5) | 997 502 214 00 | bracket | /R | 1 | | | | | | | |
| | GRV | prime coated | | | | | | | | | |
| 6 | 997 504 631 00 | protective film | | 2 | | | | | | | |
| 7 | 997 504 907 00 | seal | | 2 | | | | | | | |
| | | it is necessary to rework | | | | | | | | | |
| | | see workshop manual | | | | | | | | | |
| 8 | 996 537 237 00 | protective film | | 2 | | | | | | | |
| 9 | 997 501 487 00 | reinforcement | /L | 1 | | | | | | | |
| | GRV | prime coated | | | | | | | | | |
| (9) | 997 501 488 00 | reinforcement | /R | 1 | | | | | | | |
| | GRV | prime coated | | | | | | | | | |
| 10 | 997 572 311 00 | water protection | /L | 1 | | | | | | | |
| (10) | 997 572 312 00 | water protection | /R | 1 | | | | | | | |
| 11 | 999 703 475 40 | drain tube | | 2 | | | | | | | |
| | | door sill | | | | | | | | | |
| 12 | 997 504 967 00 | water drip pan | /L | 1 | | | | | | | |
| (12) | 997 504 968 00 | water drip pan | /R | 1 | | | | | | | |
| | | use also: | | | | | | | | | |
| 13 | 986 514 241 00 | water drain hose | | 2 | | | | | | | |
| | | see technical manual | | | | | | | | | |
| | | 53 55 | | | | | | | | | |
| | | - - - E N D - - - | | | | | | | | | |

| | | | | | | | | | | | |
|-------|------|----|----|--------------|--------------|--------|------|------------|---------|-----|---------|
| Model | Year | MG | SG | Illustration | Restrictions | Update | 7:35 | 28.08.2006 | PORSCHE | PET | PORSCHE |
| 997 | 07 | 8 | 01 | 801-70 | | 203 | | | | | |

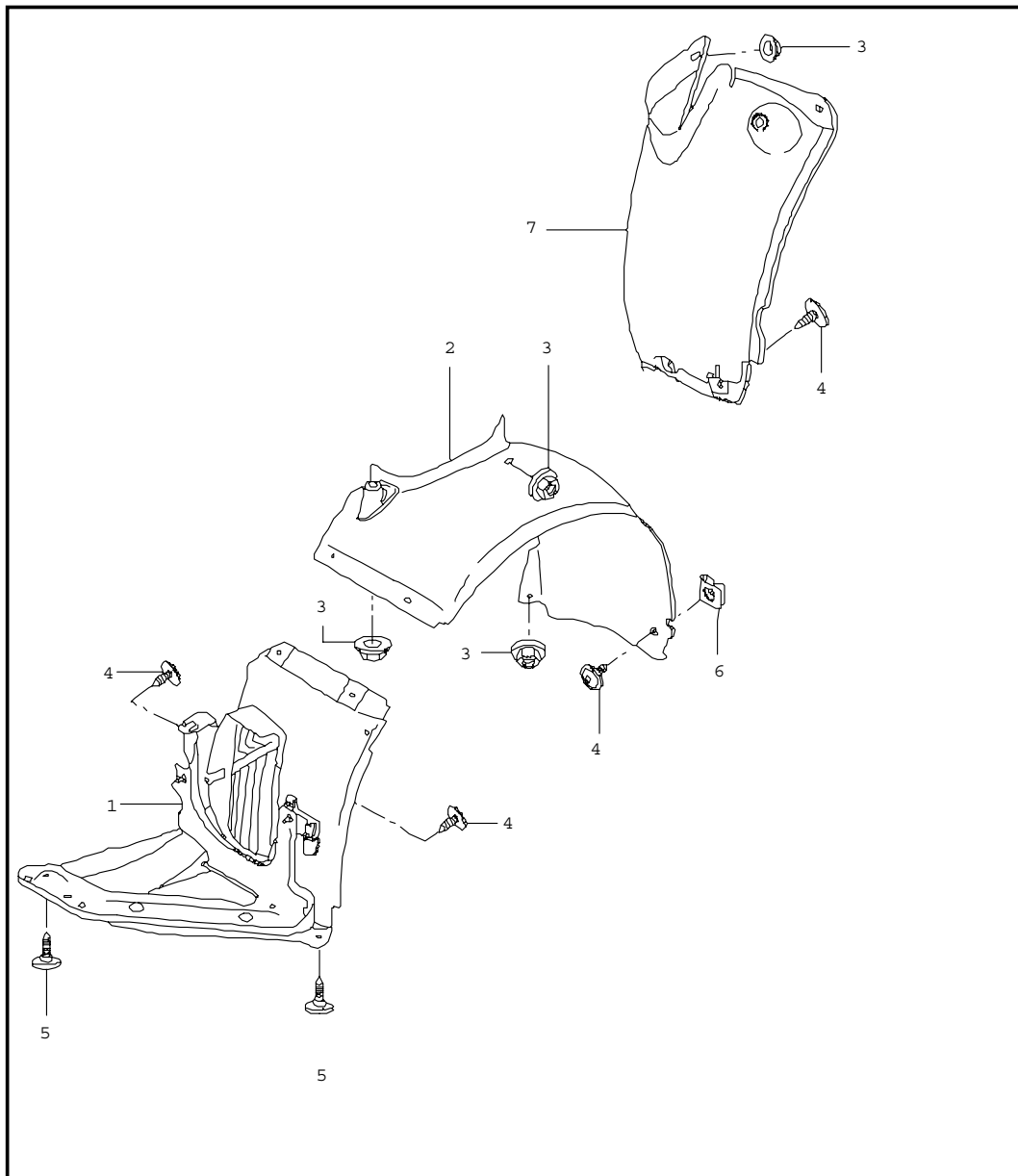


| Pos | Part Number | Name | Remarks | Qty | Model |
|------|----------------|------------------------------|---------|-----|-------|
| | | linings underbody | | | |
| 1 | 997 504 527 02 | cover | | 1 | C2 |
| (1) | 997 504 527 01 | cover front | | 1 | C4 |
| 2 | 999 049 028 40 | plastic nut T 5 | | 26 | |
| 3 | 997 504 043 00 | cover centre | | 1 | |
| 4 | 997 504 343 00 | cover centre | /L | 1 | |
| (4) | 997 504 344 00 | cover centre | /R | 1 | |
| 5 | 997 504 629 00 | cover rear | | 1 | I480 |
| (5) | 997 504 629 01 | cover rear | | 1 | I249 |
| (5) | 997 504 629 04 | cover rear | | 1 | IX51 |
| 6 | 997 504 393 00 | cover | /L | 1 | |
| | 01C | satin black | | | |
| (6) | 997 504 394 00 | cover | /R | 1 | |
| | 01C | satin black | | | |
| 7 | 997 504 429 00 | cover transmission | | 1 | I480 |
| 8 | 999 507 795 09 | speed nut ST 4,8 | | 4 | |
| 9 | 999 073 231 09 | tapping screw ST 4,8 X 16 | | X | |
| 10 | 996 505 471 00 | heat protection centre | | 1 | |
| 11 | 997 505 477 00 | heat protection | /L | 1 | |
| (11) | 997 505 478 00 | heat protection | /R | 1 | |
| 12 | 999 049 025 09 | collar nut T 5 | | 12 | |
| 13 | 997 504 635 00 | clamp | | 2 | |

| | | | | | | | | | | | |
|-------|------|----|----|--------------|--------------|--------|------|------------|---------|-----|---------|
| Model | Year | MG | SG | Illustration | Restrictions | Update | | | | | |
| 997 | 07 | 8 | 01 | 801-70 | | 203 | 7:35 | 28.08.2006 | PORSCHE | PET | PORSCHE |

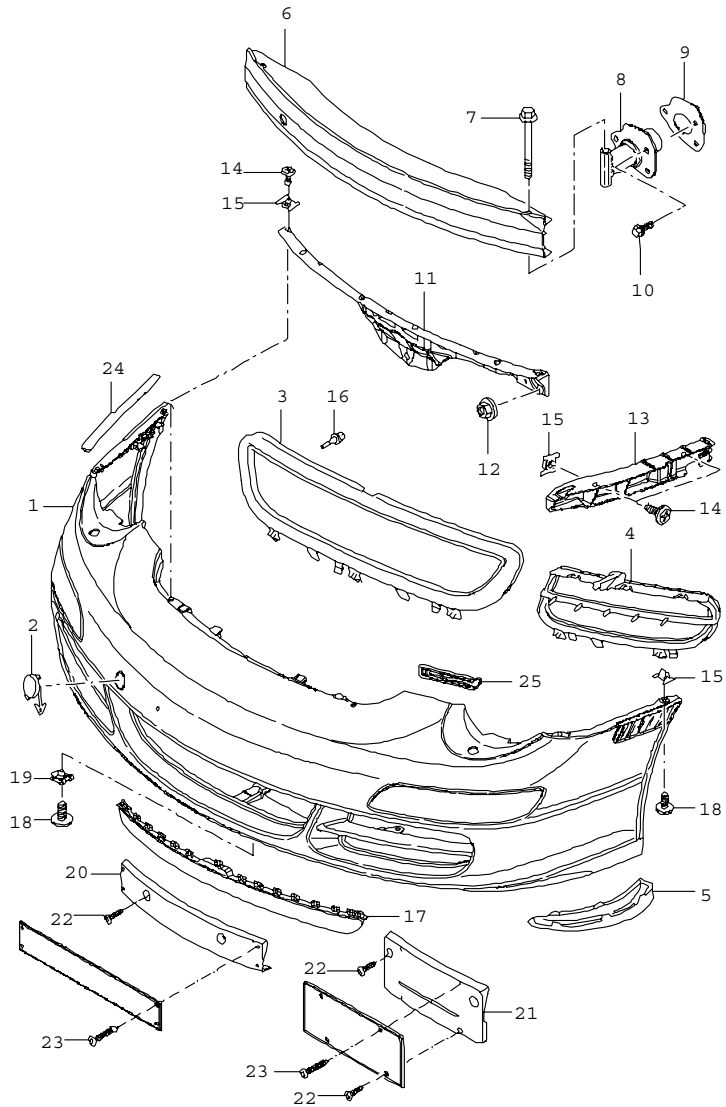
| Pos | Part Number | Name | Remarks | Qty | Model | Pos | Part Number | Name | Remarks | Qty | Model |
|-------------------|----------------|--------------------|---------|-----|-------|-----|-------------|------|---------|-----|-------|
| 14 | 997 504 823 01 | strut tunnel | | 1 | | | | | | | |
| 15 | 900 075 475 09 | screw M 10 x 25 | | 4 | | | | | | | |
| - - - E N D - - - | | | | | | | | | | | |

| | | | | | | | | | | | |
|-------|------|----|----|--------------|--------------|--------|------|------------|---------|-----|---------|
| Model | Year | MG | SG | Illustration | Restrictions | Update | 7:36 | 28.08.2006 | PORSCHE | PET | PORSCHE |
| 997 | 07 | 8 | 01 | 801-75 | | 203 | | | | | |



| Pos | Part Number | Name | Remarks | Qty | Model |
|-----|----------------|------------------------------|----------|-----|-------|
| | | linings wheel housing | | | |
| 1 | 997 504 123 00 | wheel-housing liner front | /L/V | 1 | |
| (1) | 997 504 124 00 | wheel-housing liner front | /R/V | 1 | |
| 2 | 997 504 203 00 | wheel-housing liner front | /L/H | 1 | C2 |
| 2 | 997 504 203 01 | wheel-housing liner front | /L/H 06- | 1 | C4 |
| (2) | 997 504 204 00 | wheel-housing liner front | /R/H | 1 | C2 |
| (2) | 997 504 204 01 | wheel-housing liner front | /R/H 06- | 1 | C4 |
| 3 | 999 049 028 40 | plastic nut T5 | | 12 | |
| 4 | 999 073 231 09 | tapping screw ST 4,8 X 16 | | 18 | |
| 5 | 999 073 227 09 | tapping screw ST 4,8 X 19 | | 4 | |
| 6 | 999 507 795 09 | speed nut ST 4,8 | | 2 | |
| 7 | 997 504 573 00 | wheel-housing liner | /H/L | 1 | C2 |
| 7 | 997 504 573 01 | wheel-housing liner | /H/L | 1 | C4 |
| (7) | 997 504 574 00 | wheel-housing liner | /H/R | 1 | C2 |
| (7) | 997 504 574 01 | wheel-housing liner | /H/R | 1 | C4 |
| | | - - - E N D - - - | | | |

| | | | | | | | | | | | |
|-------|------|----|----|--------------|--------------|--------|------|------------|---------|-----|---------|
| Model | Year | MG | SG | Illustration | Restrictions | Update | 7:36 | 28.08.2006 | PORSCHE | PET | PORSCHE |
| 997 | 07 | 8 | 02 | 802-00 | | 203 | | | | | |

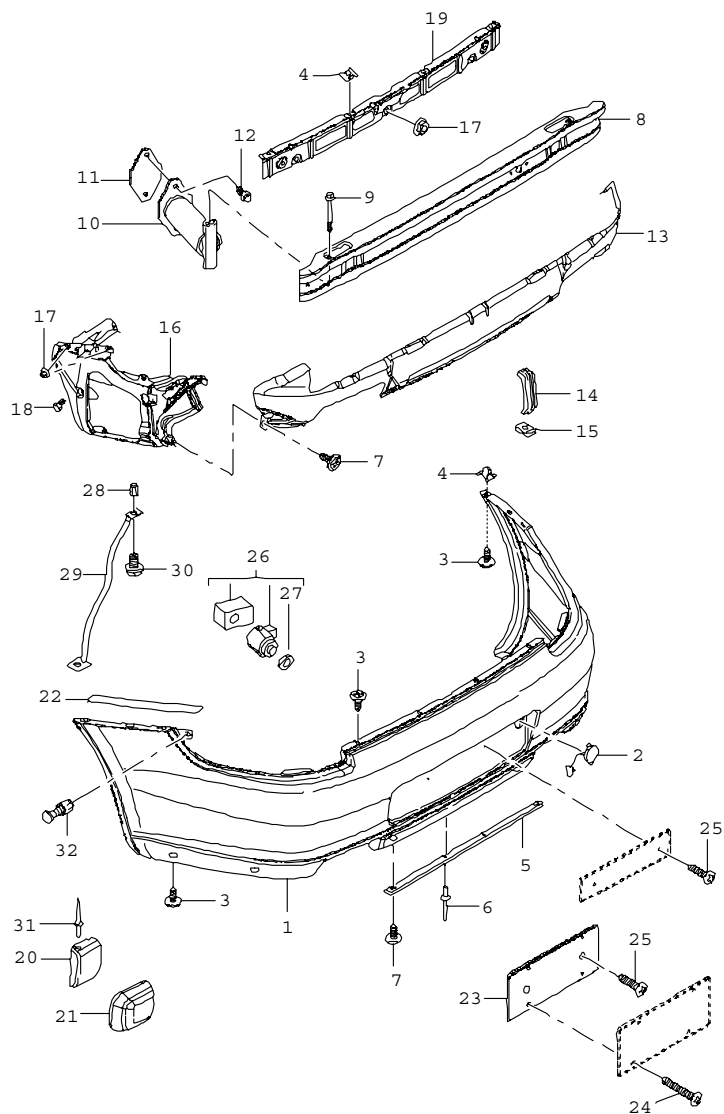


| Pos | Part Number | Name | Remarks | Qty | Model |
|-----|----------------|---------------------------------|---------|-----|----------|
| 1 | 997 505 901 00 | bumper front | | 1 | I480 |
| | G2X | prime coated | | | |
| (1) | 997 505 901 01 | lining | | 1 | I288/480 |
| | G2X | prime coated | | | |
| (1) | 997 505 901 02 | lining | | 1 | I249 |
| | G2X | prime coated | | | |
| (1) | 997 505 901 03 | lining | | 1 | I249/288 |
| | G2X | prime coated | | | |
| (1) | 997 505 961 00 | lining | | 1 | IXAA |
| (1) | 997 505 961 01 | lining | | 1 | IXAA/288 |
| 2 | 997 505 703 00 | cap | | 1 | |
| | G2X | prime coated | | | |
| 3 | 997 505 541 00 | retaining frame | | 1 | I480 |
| | 01C | satin black centre | | | |
| (3) | 997 505 541 01 | retaining frame | | 1 | I249 |
| | 01C | satin black centre | | | |
| 4 | 997 505 563 00 | retaining frame | /L | 1 | |
| | 01C | satin black | | | |
| (4) | 997 505 564 00 | retaining frame | /R | 1 | |
| | 01C | satin black | | | |
| 5 | 997 505 525 00 | cover | /L | 1 | |
| | 01C | satin black | | | |
| (5) | 997 505 526 00 | cover | /R | 1 | |
| | 01C | satin black | | | |
| 6 | 997 505 141 00 | bumper reinforcement | | 1 | |
| 7 | 900 378 088 09 | hexagon-head bolt M 12 X 100 | | 2 | |

| | | | | | | | | | | | |
|-------|------|----|----|--------------|--------------|--------|------|------------|---------|-----|---------|
| Model | Year | MG | SG | Illustration | Restrictions | Update | 7:36 | 28.08.2006 | PORSCHE | PET | PORSCHE |
| 997 | 07 | 8 | 02 | 802-00 | | 203 | | | | | |

| Pos | Part Number | Name | Remarks | Qty | Model | Pos | Part Number | Name | Remarks | Qty | Model |
|------|----------------|-------------------------------|---------|-----|-----------|-----|-------------|------|---------|-----|-------|
| 8 | 997 505 319 00 | impact absorber | | 2 | | | | | | | |
| 9 | 997 505 751 02 | seal impact absorber | | 2 | | | | | | | |
| 10 | 900 378 267 09 | hexagon-head bolt M 8 X 30 | | 6 | | | | | | | |
| 11 | 997 505 531 00 | retaining strip centre | | 1 | | | | | | | |
| 12 | 999 076 078 09 | hexagon nut M 6 | | 3 | | | | | | | |
| 13 | 997 505 535 00 | retaining strip | /L | 1 | | | | | | | |
| (13) | 997 505 536 00 | retaining strip | /R | 1 | | | | | | | |
| 14 | 999 073 314 09 | tapping screw ST 4,8 X 16 | | 4 | | | | | | | |
| 15 | 999 507 590 02 | speed nut ST 4,8 | | 9 | | | | | | | |
| 16 | 996 641 142 00 | temperature sensor | | 1 | | | | | | | |
| 17 | 997 505 557 00 | spoiler | | 1 | | | | | | | |
| | 01C | satin black | | | | | | | | | |
| 18 | 999 073 227 09 | tapping screw ST 4,8 X 19 | | 10 | | | | | | | |
| 19 | 999 591 699 02 | speed nut ST 4,8 | | 1 | | | | | | | |
| 20 | 997 701 105 00 | support | | 1 | I211 | | | | | | |
| | 01C | black | | | | | | | | | |
| (20) | 997 701 109 00 | support number plate | | 1 | I210 | | | | | | |
| | 01C | black | | | | | | | | | |
| 22 | 999 919 227 A2 | screw | | 2 | I 210/211 | | | | | | |
| 23 | 999 919 228 A2 | screw 5,0 x 28 | | 2 | | | | | | | |
| (24) | 997 504 531 00 | protective film | /V/L | 1 | | | | | | | |
| 24 | 997 504 532 00 | protective film | /V/R | 1 | | | | | | | |
| 25 | 997 505 719 00 | fixing device | | 2 | | | | | | | |
| | | - - - E N D - - - | | | | | | | | | |

| | | | | | | | | | | | |
|-------|------|----|----|--------------|--------------|--------|------|------------|---------|-----|---------|
| Model | Year | MG | SG | Illustration | Restrictions | Update | 7:36 | 28.08.2006 | PORSCHE | PET | PORSCHE |
| 997 | 07 | 8 | 02 | 802-05 | | 203 | | | | | |

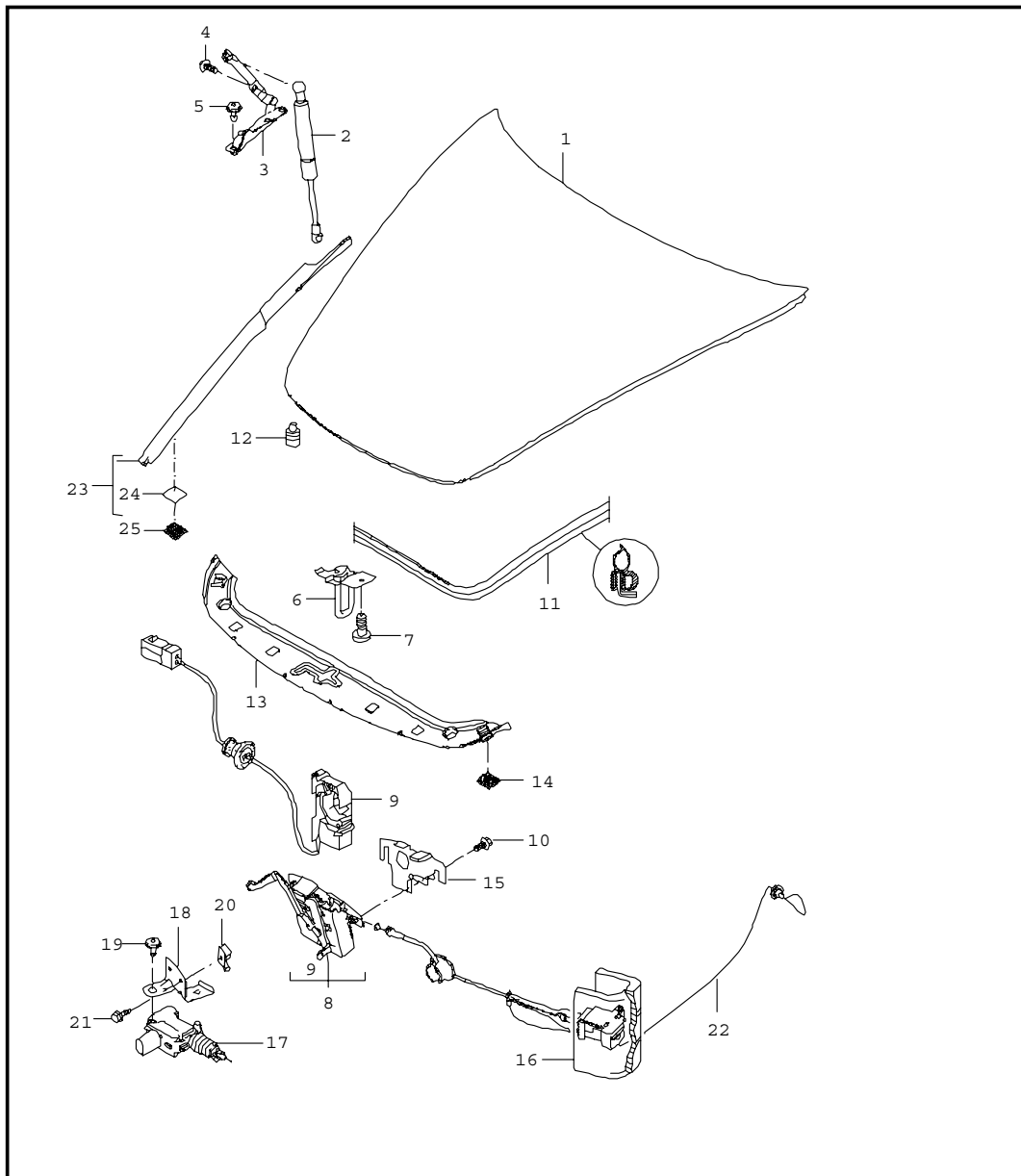


| Pos | Part Number | Name | Remarks | Qty | Model |
|-----|----------------|---------------------------------|---------|-----|----------------|
| 1 | 997 505 411 00 | bumper rear | | 1 | |
| | | lining | | | |
| | | G2X prime coated | | | |
| 1 | 997 505 911 00 | lining | | 1 | I635 |
| | | G2X prime coated | | | |
| 1 | 997 505 411 04 | lining | | 1 | C4/C4S |
| | | G2X prime coated | | | |
| 1 | 997 505 911 02 | lining | | 1 | C4/C4S I635 |
| | | G2X prime coated | | | |
| 2 | 997 505 803 00 | cover | | 1 | |
| | | G2X prime coated | | | |
| 3 | 999 073 227 09 | tapping screw 4,8 X 16 | | 10 | |
| 4 | 999 507 590 02 | captive nut ST 4,8 | | 6 | |
| 5 | 997 505 837 00 | retaining strip | | 1 | |
| 6 | 999 190 104 30 | blind rivet 3,2 X 7,9 | | 2 | |
| 7 | 999 073 314 09 | tapping screw ST 4,8 X 16 | | 4 | |
| 8 | 997 505 121 00 | bumper reinforcement | | 1 | |
| 9 | 900 378 088 09 | hexagon-head bolt M 12 X 100 | | 2 | |
| 10 | 996 505 019 01 | impact pipe | | 2 | |
| 11 | 996 505 775 00 | desk pad impact absorber | | 2 | |
| 12 | 900 378 267 09 | screw M 8 X 30 | | 4 | |
| 13 | 997 505 475 00 | heat protection centre | | 1 | |
| 14 | 997 505 639 00 | rear support | | 2 | |
| 15 | 999 507 795 09 | speed nut | | 4 | |

| | | | | | | | | | | | |
|-------|------|----|----|--------------|--------------|--------|------|------------|---------|-----|---------|
| Model | Year | MG | SG | Illustration | Restrictions | Update | | | | | |
| 997 | 07 | 8 | 02 | 802-05 | | 203 | 7:36 | 28.08.2006 | PORSCHE | PET | PORSCHE |

| Pos | Part Number | Name | Remarks | Qty | Model | Pos | Part Number | Name | Remarks | Qty | Model |
|--------|----------------|--|---------|-----|-------|-----|-------------|------|---------|-----|-------|
| 16 | 997 505 631 00 | retaining frame | /L | 1 | C2 | | | | | | |
| (16) | 997 505 631 01 | retaining frame | /L | 1 | C4 | | | | | | |
| (16) | 997 505 632 00 | retaining frame | /R | 1 | C2 | | | | | | |
| (16) | 997 505 632 01 | retaining frame | /R | 1 | C4 | | | | | | |
| 17 | 999 076 078 09 | hexagon nut M 6 | | X | | | | | | | |
| 18 | 900 075 459 09 | screw M 6 X 12 | | 2 | | | | | | | |
| 19 | 997 505 641 00 | attachment strip centre | | 1 | | | | | | | |
| 22 | 997 504 631 00 | protective film | | 2 | | | | | | | |
| 23 | 997 701 113 00 | support number plate | | 1 | I218 | | | | | | |
| | 01C | black | | | | | | | | | |
| 24 | 999 919 228 A2 | screw support number plate 5 X 28 | | X | | | | | | | |
| 25 | 999 919 227 A2 | screw support number plate 5 X 13 | | X | | | | | | | |
| 26 | 955 606 275 01 | sensor park distance control | | 4 | I635 | | | | | | |
| 27 | 7L6 919 659 | round seal | | 4 | I635 | | | | | | |
| 29 A | 997 505 681 00 | strut | /L | 1 | | | | | | | |
| 29 | 997 505 681 01 | strut | /L | 1 | | | | | | | |
| (29) A | 997 505 682 00 | strut | /R | 1 | | | | | | | |
| (29) | 997 505 682 01 | strut | /R | 1 | | | | | | | |
| 30 | 900 378 035 09 | hexagon-head bolt M6 X 16 | | 2 | | | | | | | |
| 31 | 999 500 084 02 | special nut M6 / 0,5 - 3 | | 2 | | | | | | | |
| 32 | 999 591 941 40 | expander nut ST 4,2 | | 4 | | | | | | | |
| | | - - - E N D - - - | | | | | | | | | |

| | | | | | | | | | | | |
|-------|------|----|----|--------------|--------------|--------|------|------------|---------|-----|---------|
| Model | Year | MG | SG | Illustration | Restrictions | Update | 7:36 | 28.08.2006 | PORSCHE | PET | PORSCHE |
| 997 | 07 | 8 | 03 | 803-00 | | 203 | | | | | |

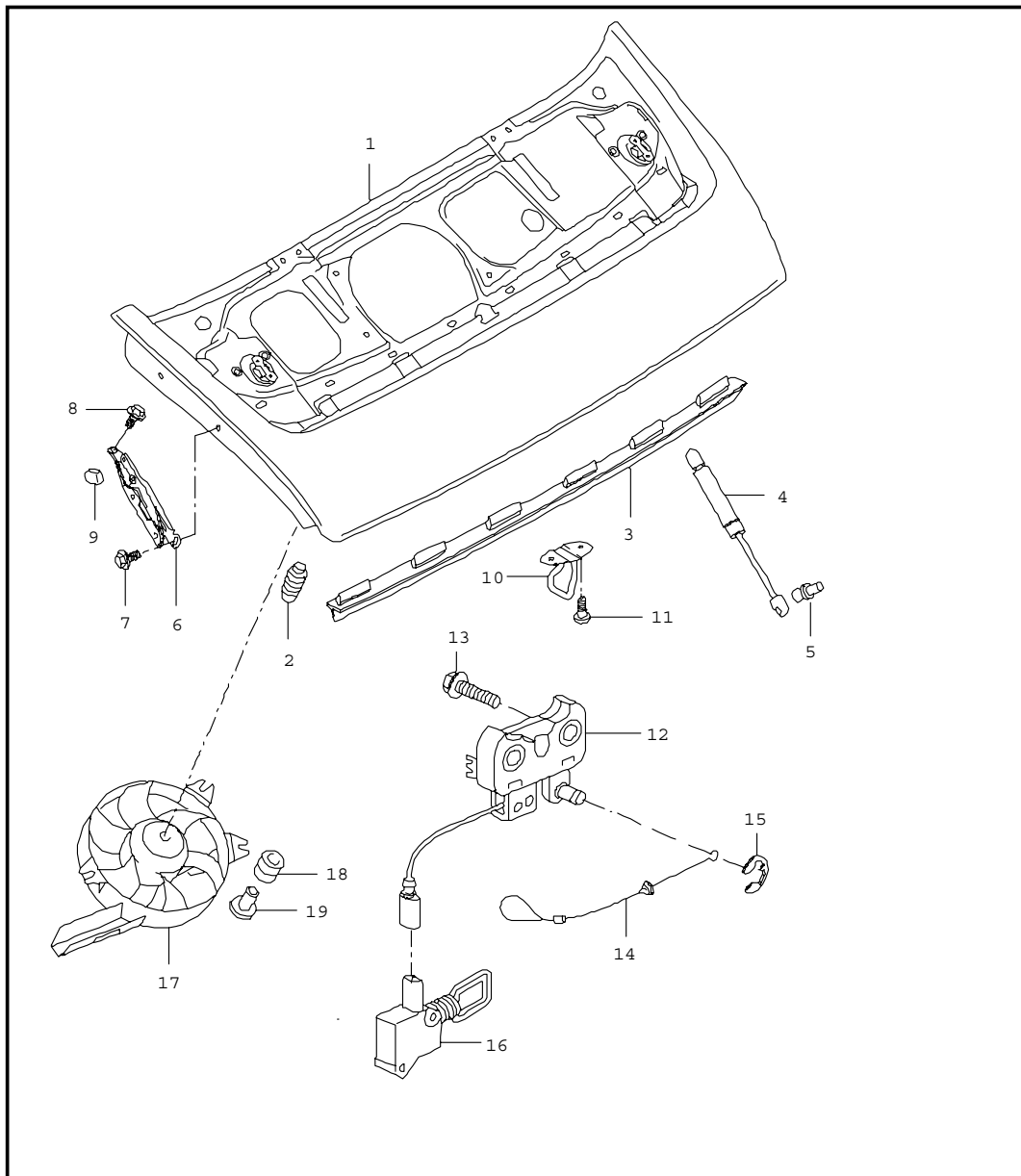


| Pos | Part Number | Name | Remarks | Qty | Model |
|------|----------------|-------------------------------------|---------|-----|-------|
| | | cover front | | | |
| 1 | 997 511 011 00 | cover | | 1 | |
| | GRV | prime coated | | | |
| 2 | 997 511 551 01 | gas-filled strut | | 2 | |
| 3 | 997 511 151 00 | hinge | /L | 1 | |
| (3) | 997 511 152 00 | hinge | /R | 1 | |
| 4 | 999 073 357 09 | oval-head screw M 6 X 12 | | 4 | |
| 5 | 999 073 348 09 | oval-head screw M 6 X 20 | | 4 | |
| 6 | 997 511 051 00 | lock upper part | | 1 | |
| 7 | 999 073 350 04 | round head screw M 6 X 16 | | 2 | |
| 8 | 997 511 053 00 | lock lower part | | 1 | |
| 9 | 997 613 206 00 | microswitch | | 1 | |
| 10 | 900 075 466 09 | screw M 6 X 16 | | 2 | |
| 11 | 997 511 611 00 | gasket | | 1 | |
| 12 | 999 703 140 40 | buffer | | 2 | |
| 13 | 997 504 811 02 | trim | | 1 | |
| | FMT | satin black | | | |
| 14 | 999 902 049 40 | velcro fastener | | 4 | |
| 15 | 996 511 653 00 | cover | | 1 | |
| 16 | 997 511 117 00 | actuator | | 1 | |
| (23) | 997 572 465 02 | cover | /L | 1 | |
| | 02A | black | | | |
| 23 | 997 572 466 02 | cover wing | /R | 1 | |
| | 02A | black | | | |
| 24 | 999 902 052 40 | velcro fastener cover 20 X 20 | | 4 | |

| | | | | | | | | | | | | |
|-------|------|----|----|--------------|--------------|--------|------|------------|---------|-----|---------|--|
| Model | Year | MG | SG | Illustration | Restrictions | Update | | | | | | |
| 997 | 07 | 8 | 03 | 803-00 | | 203 | 7:36 | 28.08.2006 | PORSCHE | PET | PORSCHE | |

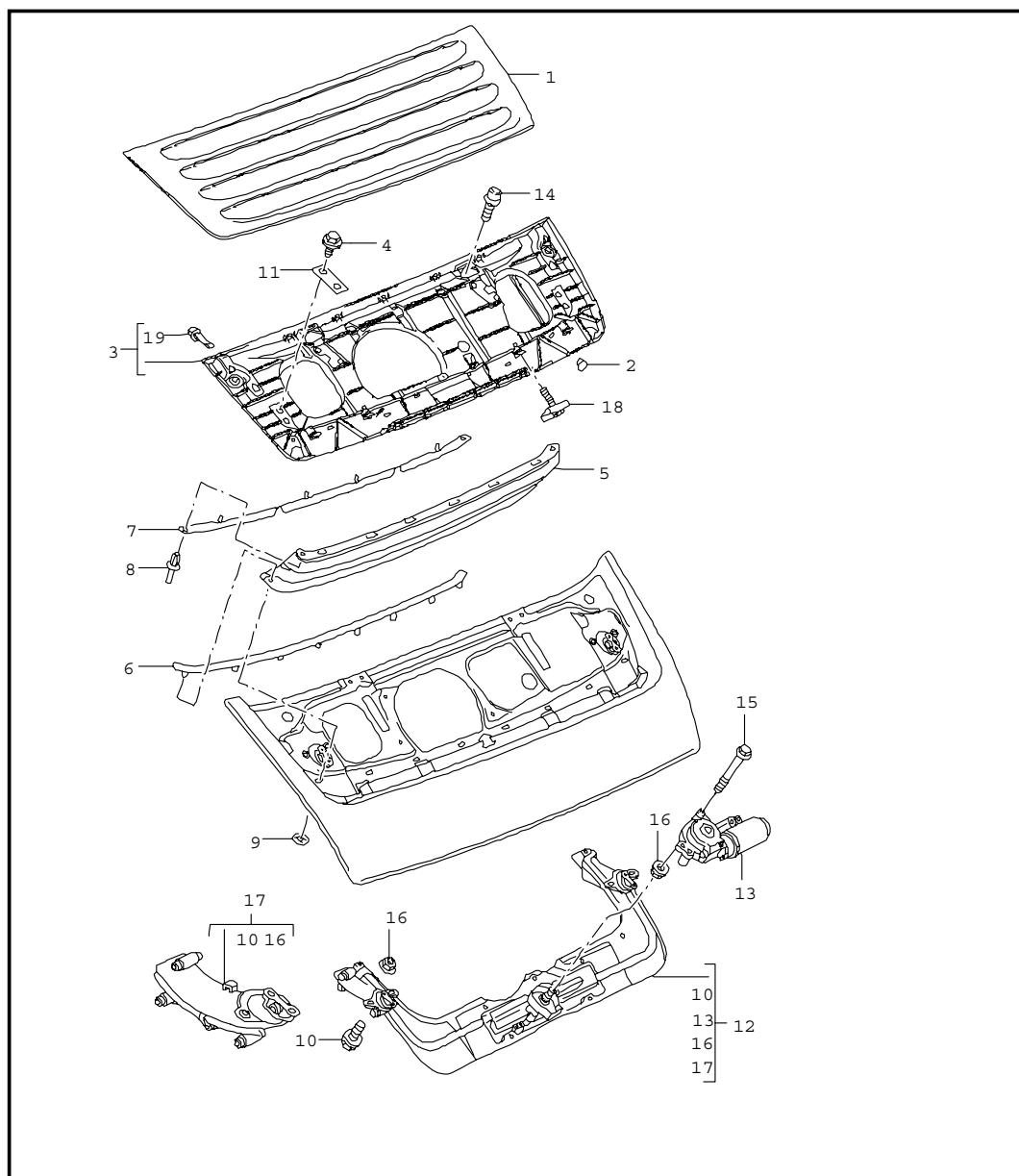
| Pos | Part Number | Name | Remarks | Qty | Model | Pos | Part Number | Name | Remarks | Qty | Model |
|-----|----------------|---|---------|-----|-------|-----|-------------|------|---------|-----|-------|
| 25 | 999 902 051 40 | velcro fastener wing 20 X 20 - - - E N D - - - | | 4 | | | | | | | |

| | | | | | | | | | | |
|-------|------|----|----|--------------|--------------|--------|------|------------|---------|---------|
| Model | Year | MG | SG | Illustration | Restrictions | Update | | | | |
| 997 | 07 | 8 | 03 | 803-05 | | 203 | 7:37 | 28.08.2006 | PORSCHE | PET |
| | | | | | | | | | PORSCHE | PORSCHE |



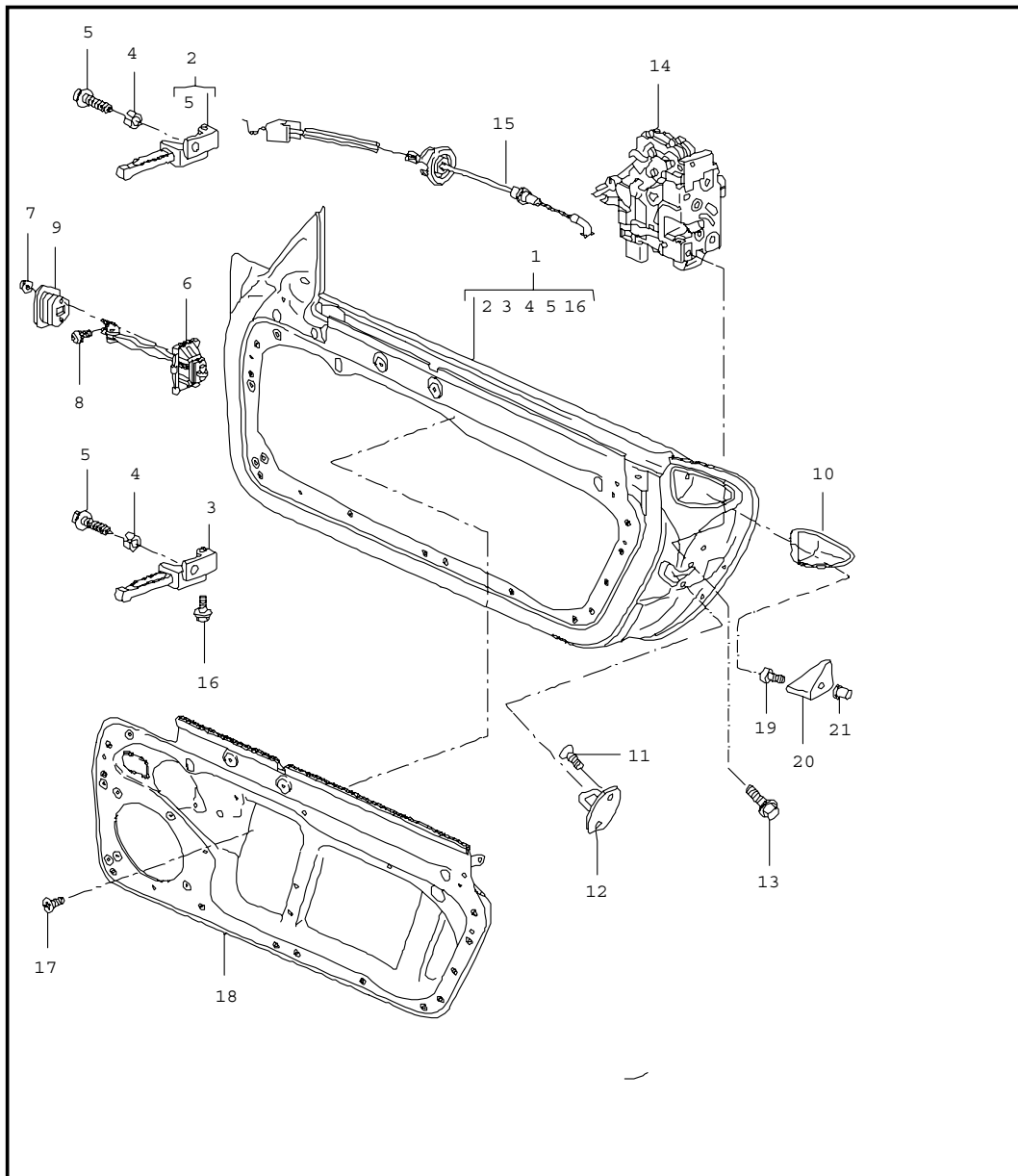
| Pos | Part Number | Name | Remarks | Qty | Model |
|-----|----------------|-------------------------------|---------|-----|-------|
| 1 | 997 512 011 00 | cover rear | | 1 | |
| | GRV | prime coated | | | |
| | | use also: | | | |
| - | 000 043 204 38 | sealing material | | 1 | |
| 2 | 999 703 140 40 | buffer | | 2 | |
| 3 | 997 512 611 00 | gasket | | 1 | |
| 4 | 997 512 551 00 | gas-filled strut | /R | 1 | |
| 5 | 999 167 051 02 | ball pin | | 2 | |
| 6 | 997 512 151 00 | hinge | /L | 1 | |
| (6) | 997 512 152 00 | hinge | /R | 1 | |
| 7 | 900 378 155 09 | hexagon-head bolt M 6 X 16 | | 4 | |
| 8 | 900 075 466 09 | screw M 6 X 16 | | 6 | |
| 9 | 996 512 153 00 | stop hinge | | 2 | |
| 10 | 997 512 213 01 | lock upper part | | 1 | |
| 11 | 999 073 248 09 | screw M 6 X 16 | | 2 | |
| 12 | 997 512 053 00 | lock lower part | | 1 | |
| 13 | 900 075 458 02 | screw M 6 X 40 | | 2 | |
| 14 | 997 512 521 00 | cable emergency operation | | 1 | |
| 15 | 900 116 002 02 | lock washer | | 1 | |
| 16 | 997 624 118 00 | actuator | | 1 | |
| 17 | 997 624 046 00 | fan | | 1 | |
| 18 | 999 703 451 40 | rubber sleeve | | 3 | |
| 19 | 999 209 049 02 | spacer sleeve | | 3 | |
| | | - - - E N D - - - | | | |

| | | | | | | | | | | | |
|-------|------|----|----|--------------|--------------|--------|------|------------|---------|-----|---------|
| Model | Year | MG | SG | Illustration | Restrictions | Update | | | | | |
| 997 | 07 | 8 | 03 | 803-07 | | 203 | 7:37 | 28.08.2006 | PORSCHE | PET | PORSCHE |



| Pos | Part Number | Name | Remarks | Qty | Model |
|-------------------|----------------|-------------------------|---------|-----|--------|
| 1 | 997 512 241 00 | rear spoiler | | 1 | |
| | G2X | spoiler | | | |
| | | prime coated upper part | | | |
| 2 | 996 512 212 00 | plug | | 4 | |
| 3 | 997 512 205 00 | spoiler | | 1 | |
| (3) | 997 512 205 01 | spoiler lower part | | 1 | |
| - | 999 703 488 40 | buffer | | 2 | |
| | | 5,9 X 11,5 X 16 | | | |
| 4 | 900 075 490 09 | hexagon-head bolt | | 4 | |
| | | M 6 X 8 | | | |
| 5 | 996 512 250 00 | rear wall | | 1 | |
| 6 | 996 512 163 00 | rail lower | | 1 | |
| 7 | 996 512 164 00 | rail upper | | 1 | |
| 8 | 999 591 712 40 | expansion rivet | | 2 | |
| | | 6,0 X 12,0 | | | |
| 9 | 999 591 974 07 | clamping washer | | 8 | |
| | | 5,0 | | | |
| 10 | 999 073 382 01 | screw | | 10 | |
| | | M 6 X 20 | | | |
| 11 | 996 512 757 00 | desk pad | | 2 | |
| 12 | 997 512 109 00 | driving mechanism | | 1 | COUPE |
| (12) | 997 512 109 02 | driving mechanism | | 1 | CABRIO |
| 13 | 996 624 151 00 | electric motor | | 1 | |
| 14 | 900 067 273 09 | pan-head screw | | 4 | |
| | | M 6 X 16 | | | |
| 15 | 900 074 364 02 | screw | | 3 | |
| | | M 5 X 55 | | | |
| 16 | 900 377 009 02 | hexagon nut | | 32 | |
| 17 | 997 512 911 00 | hinge | | 1 | |
| 18 | 997 512 255 00 | support | | 4 | |
| - - - E N D - - - | | | | | |

| | | | | | | | | | | | |
|-------|------|----|----|--------------|--------------|--------|------|------------|---------|-----|---------|
| Model | Year | MG | SG | Illustration | Restrictions | Update | | | PORSCHE | PET | PORSCHE |
| 997 | 07 | 8 | 04 | 804-00 | | 203 | 7:37 | 28.08.2006 | | | |

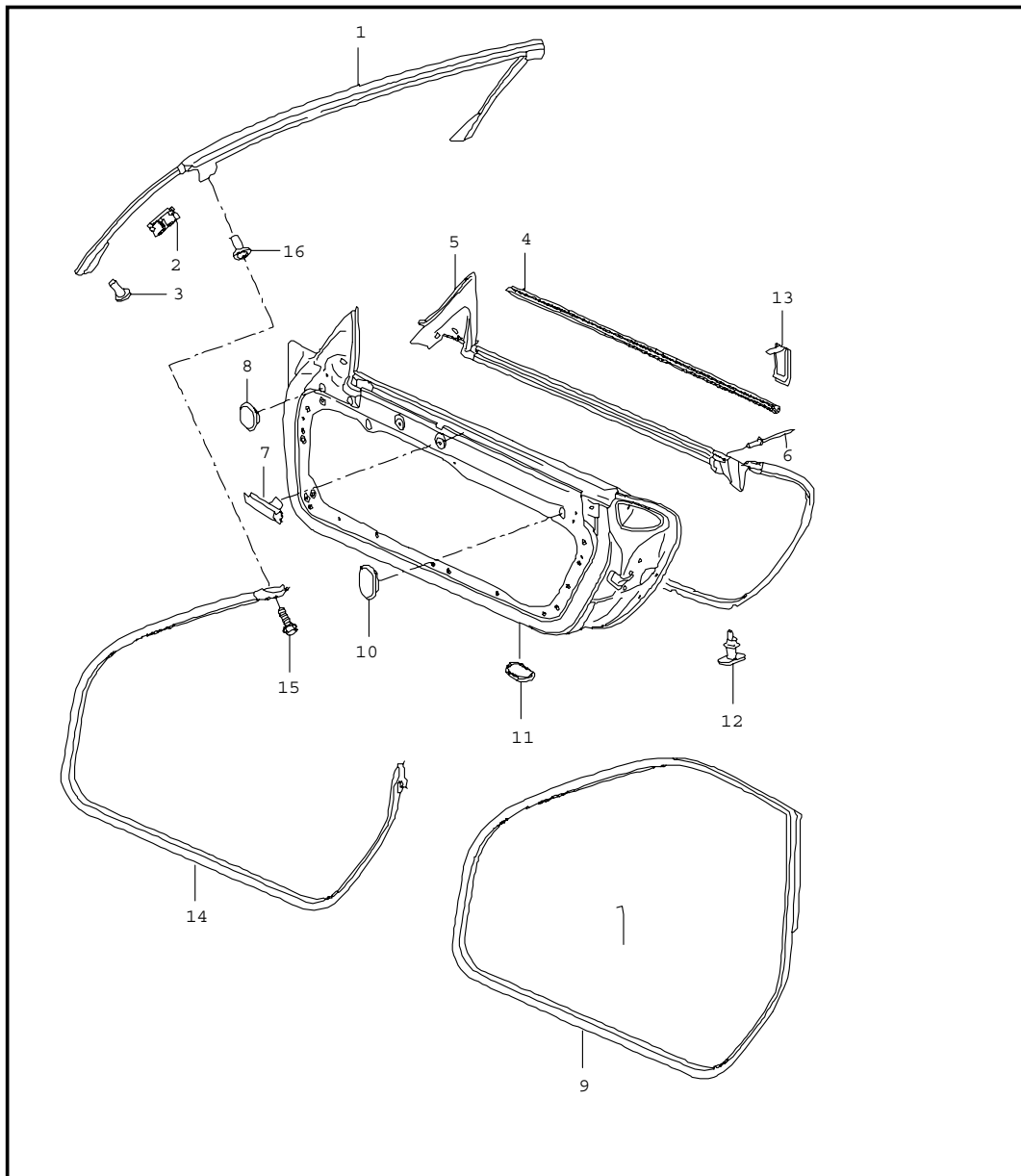


| Pos | Part Number | Name | Remarks | Qty | Model |
|------|----------------|--|---------|-----|-------|
| | | door in white installation parts door lock | | | |
| (1) | 997 531 011 02 | door in white | /L | 1 | |
| | GRV | prime coated | | | |
| 1 | 997 531 012 02 | door in white | /R | 1 | |
| | GRV | prime coated | | | |
| | | use also: | | | |
| - | 000 043 204 38 | sealing material | | 1 | |
| (2) | 997 531 321 00 | hinge | /L | 1 | |
| 2 | 997 531 322 00 | hinge upper | /R | 1 | |
| (3) | 997 531 319 00 | hinge | /L | 1 | |
| 3 | 997 531 320 00 | hinge lower | /R | 1 | |
| 4 | 996 531 831 00 | sleeve | | 4 | |
| 5 | 999 067 022 02 | screw M 8 X 20 | | 2 | |
| 6 | 997 537 151 01 | door arrester | | 2 | |
| 7 | 999 084 212 02 | nut M 6 | | 4 | |
| 8 | 999 073 138 09 | screw M 8 X 25 | | 2 | |
| 9 | 996 537 751 00 | seal | | 2 | |
| (10) | 997 537 331 00 | support | /L | 1 | |
| | 01C | satin black | | | |
| 10 | 997 537 332 00 | support | /R | 1 | |
| | 01C | satin black | | | |
| 11 | N 910 174 01 | countersunk-head screw M 8 X 22 | | 4 | |
| 12 | 3B0 837 033 P | end plate | | 2 | |
| 13 | WHT 000 439 | screw M 8 X 20 | | 2 | |
| (14) | 3D1 837 015 | door lock | /LL/L | 1 | I098 |

| | | | | | | | | | | | |
|-------|------|----|----|--------------|--------------|--------|------|------------|---------|-----|---------|
| Model | Year | MG | SG | Illustration | Restrictions | Update | | | | | |
| 997 | 07 | 8 | 04 | 804-00 | | 203 | 7:37 | 28.08.2006 | PORSCHE | PET | PORSCHE |

| Pos | Part Number | Name | Remarks | Qty | Model | Pos | Part Number | Name | Remarks | Qty | Model |
|------|----------------|---|---------|-----|-------|-----|-------------|------|---------|-----|-------|
| 14 | 3D1 837 016 | door lock | /LL/R | 1 | I098 | | | | | | |
| (14) | 3D1 837 015 C | door lock | /L | 1 | I072 | | | | | | |
| (14) | 3D1 837 016 C | door lock | /R | 1 | I072 | | | | | | |
| (14) | 3D2 837 015 | door lock | /RL/L | 1 | I099 | | | | | | |
| (14) | 3D2 837 016 | door lock | /RL/R | 1 | I099 | | | | | | |
| 15 | 997 537 319 01 | bowden cable | | 2 | | | | | | | |
| 16 | 999 072 043 09 | hexagon-head bolt M 6 X 12 micro-self-locking | | 2 | | | | | | | |
| 17 | 999 073 333 09 | oval-head screw M 6 X 16 | | 8 | | | | | | | |
| (18) | 997 537 201 00 | inner panel | /L -05 | 1 | | | | | | | |
| 18 | 997 537 202 00 | inner panel | /R -05 | 1 | | | | | | | |
| (18) | 987 537 201 00 | inner panel | /L 06- | 1 | | | | | | | |
| 18 | 987 537 202 00 | inner panel | /R 06- | 1 | | | | | | | |
| 19 | 900 119 072 00 | pan-head screw M8 X 16 | | 2 | | | | | | | |
| (20) | 997 537 333 00 | support | /L | 1 | | | | | | | |
| | G2X | prime coated | | | | | | | | | |
| 20 | 997 537 334 00 | support side section | /R | 1 | | | | | | | |
| | G2X | prime coated | | | | | | | | | |
| 21 | 999 500 121 02 | blind rivet nut M8 / 0,8 - 3 | | 2 | | | | | | | |
| | | - - - E N D - - - | | | | | | | | | |

| | | | | | | | | | | | |
|-------|------|----|----|--------------|--------------|--------|------|------------|---------|-----|---------|
| Model | Year | MG | SG | Illustration | Restrictions | Update | | | PORSCHE | PET | PORSCHE |
| 997 | 07 | 8 | 04 | 804-10 | | 203 | 7:37 | 28.08.2006 | | | |

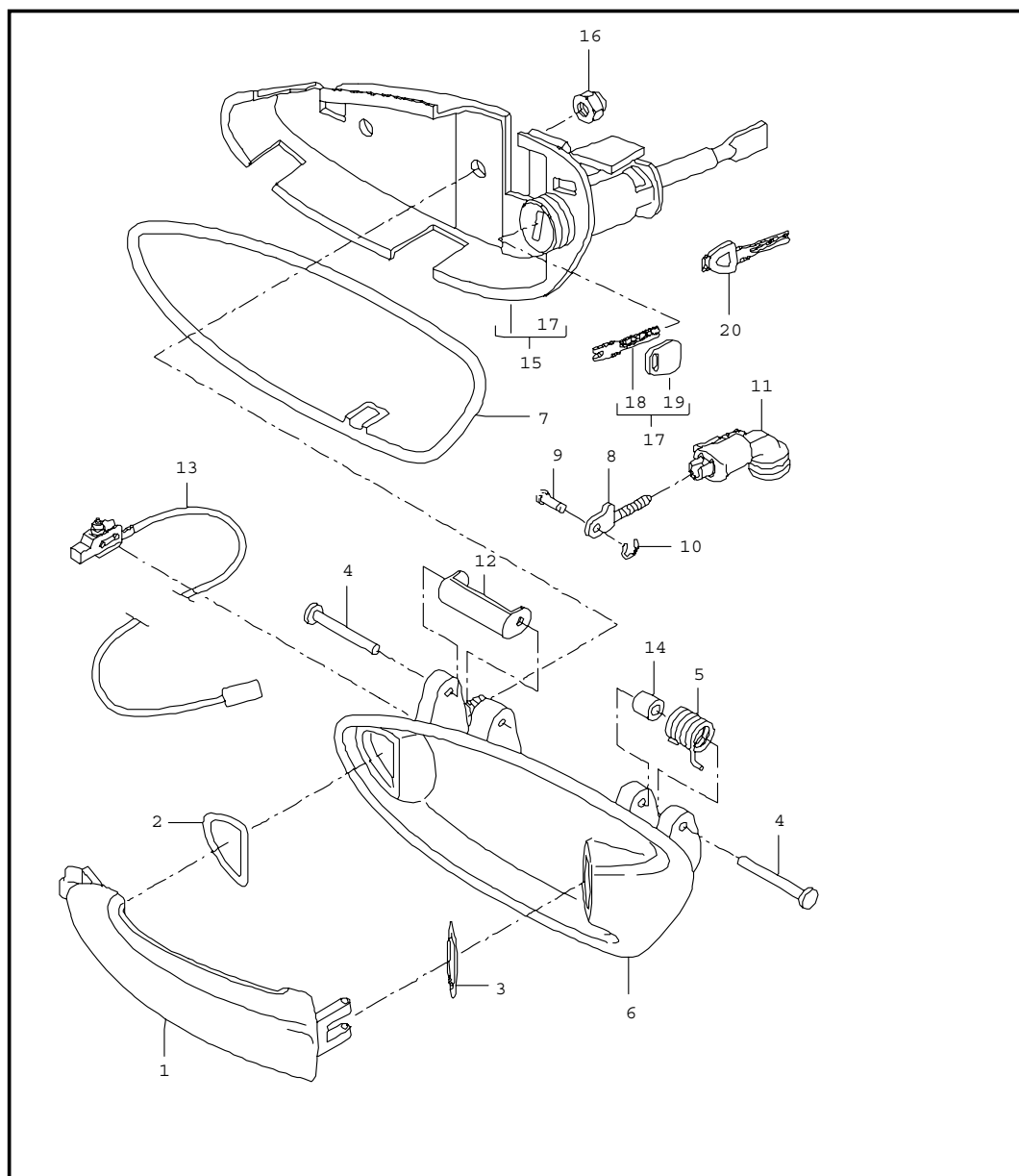


| Pos | Part Number | Name | Remarks | Qty | Model |
|--------|----------------|--------------------------------------|---------|-----|--------|
| | | door seal gasket windscreen | | | |
| 1 | 997 537 077 01 | gasket windscreen | | 1 | CABRIO |
| 2 | 999 507 678 01 | u-clamp 4,0-4,5 | | 1 | CABRIO |
| 3 | 999 190 445 37 | rivet A 4,0 X 7,9 | | 36 | CABRIO |
| 4 | 997 537 085 00 | gasket outer | /L | 1 | |
| (4) | 997 537 086 00 | gasket outer | /R | 1 | |
| 5 | 997 537 531 02 | gasket inner | /L | 1 | |
| (5) | 997 537 532 02 | gasket inner | /R | 1 | |
| 6 | 999 190 450 37 | blind rivet | | 1 | |
| 7 | 997 537 495 00 | rubber buffer | | 1 | |
| 8 | 803 803 583 A | cover 20,0 X 30,0 | | 2 | |
| (9) | 997 537 075 00 | gasket | /L | 1 | COUPE |
| 9 | 997 537 076 00 | gasket | /R | 1 | COUPE |
| 10 | 999 703 541 40 | cover 20 X 28 X 1 | | 4 | |
| 11 | 999 703 542 40 | cover 23,8 X 38,7 | | 8 | |
| 12 | 999 507 578 40 | clip gasket outer 5,0 X 3,7 | | 36 | |
| 13 | 999 507 571 02 | clamp | | 1 | |
| 14 A | 997 537 075 01 | gasket | /L | 1 | CABRIO |
| 14 | 997 537 075 02 | gasket | /L | 1 | CABRIO |
| (14) A | 997 537 076 01 | gasket | /R | 1 | CABRIO |
| (14) | 997 537 076 02 | gasket | /R | 1 | CABRIO |

| | | | | | | | | | | | | |
|-------|------|----|----|--------------|--------------|--------|------|------------|---------|-----|---------|--|
| Model | Year | MG | SG | Illustration | Restrictions | Update | | | | | | |
| 997 | 07 | 8 | 04 | 804-10 | | 203 | 7:37 | 28.08.2006 | PORSCHE | PET | PORSCHE | |

| Pos | Part Number | Name | Remarks | Qty | Model | Pos | Part Number | Name | Remarks | Qty | Model |
|-----|----------------|------------------------------|---------|-----|--------|-----|-------------|------|---------|-----|-------|
| 15 | 900 075 362 02 | screw M 5 X 16 | | 2 | CABRIO | | | | | | |
| 16 | 999 500 093 02 | blind rivet nut M 5/0 - 3 | | 2 | CABRIO | | | | | | |
| | | - - - E N D - - - | | | | | | | | | |

| | | | | | | | | | | | |
|-------|------|----|----|--------------|--------------|--------|------|------------|---------|-----|---------|
| Model | Year | MG | SG | Illustration | Restrictions | Update | 7:38 | 28.08.2006 | PORSCHE | PET | PORSCHE |
| 997 | 07 | 8 | 04 | 804-20 | | 203 | | | | | |

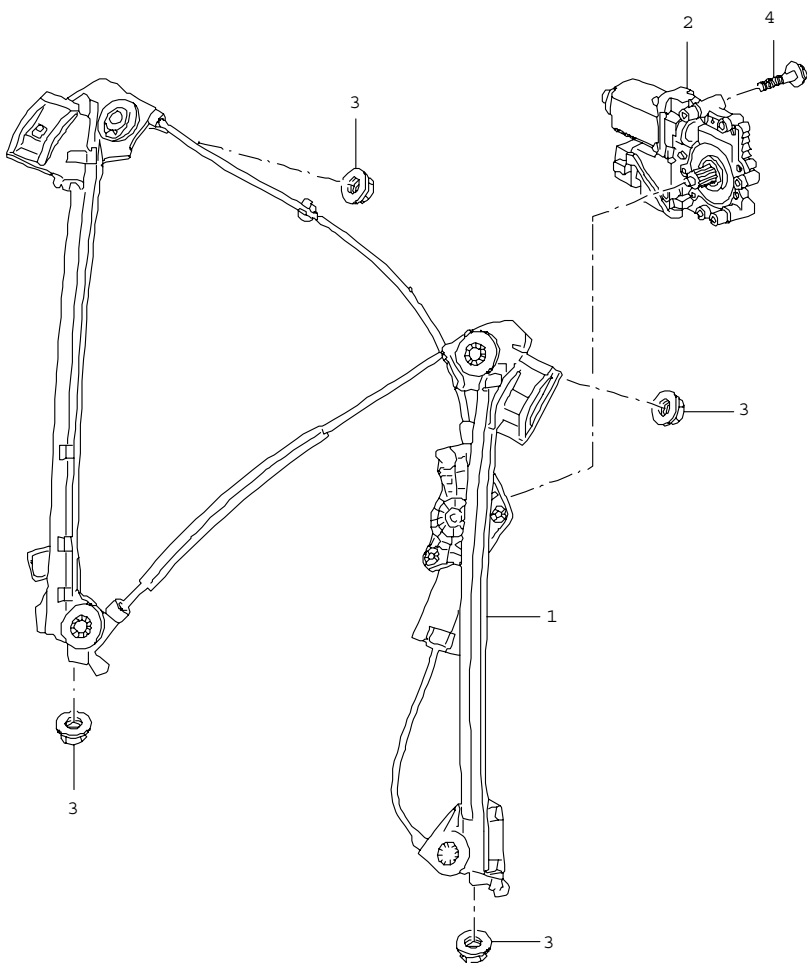


| Pos | Part Number | Name | Remarks | Qty | Model |
|------|----------------|------------------------------|---------|-----|-------|
| 1 | 997 537 613 00 | door handle | | | |
| | | handle | /L | 1 | |
| | | G2X prime coated | | | |
| (1) | 997 537 614 00 | handle | /R | 1 | |
| | | G2X prime coated | | | |
| 2 | 997 537 623 00 | buffer | | 2 | |
| 3 | 997 537 625 00 | buffer | | 2 | |
| 4 | 997 537 621 00 | axle | | 2 | |
| 5 | 997 537 611 00 | return spring | /L | 1 | |
| (5) | 997 537 612 00 | return spring | /R | 1 | |
| 6 | 997 537 645 00 | handle liner | /LL/L | 1 | |
| | | G2X prime coated | | | |
| (6) | 997 537 646 00 | handle liner | /RL/R | 1 | |
| | | G2X prime coated | | | |
| (6) | 997 537 645 01 | handle liner | /RL/L | 1 | |
| | | G2X prime coated | | | |
| (6) | 997 537 646 01 | handle liner | /LL/R | 1 | |
| | | G2X prime coated | | | |
| 7 | 997 537 637 00 | desk pad | /L | 1 | |
| (7) | 997 537 638 00 | desk pad | /R | 1 | |
| 8 | 997 537 627 00 | control shaft | | 2 | |
| 9 | 997 537 629 00 | bolt | | 2 | |
| 10 | 996 537 641 00 | lock washer | | 2 | |
| 11 | 997 537 445 02 | connecting piece | | 2 | |
| 12 | 997 537 653 00 | eccentric | /L | 1 | |
| (12) | 997 537 654 00 | eccentric | /R | 1 | |
| 13 | 997 613 125 00 | microswitch power windows | | 2 | |
| 14 | 997 537 633 00 | bush | | 2 | |

| | | | | | | | | | | | |
|-------|------|----|----|--------------|--------------|--------|------|------------|---------|-----|---------|
| Model | Year | MG | SG | Illustration | Restrictions | Update | | | | | |
| 997 | 07 | 8 | 04 | 804-20 | | 203 | 7:38 | 28.08.2006 | PORSCHE | PET | PORSCHE |

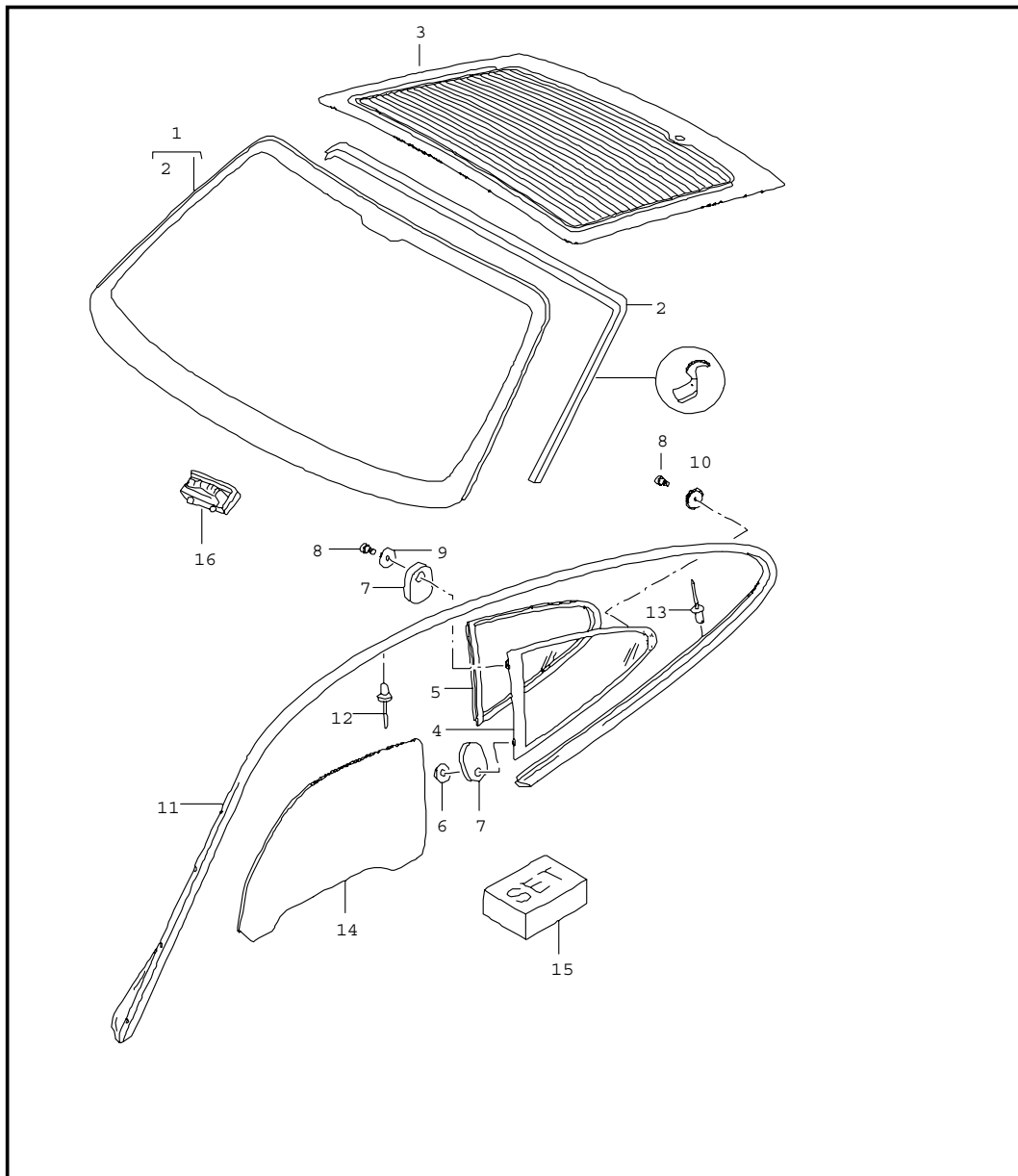
| Pos | Part Number | Name | Remarks | Qty | Model | Pos | Part Number | Name | Remarks | Qty | Model |
|------|----------------|---|---------|-----|-------|-----|-------------|------|---------|-----|-------|
| 15 | 997 538 963 00 | support with lock cylinder with stipulated lock-no. | /LL/L | 1 | | | | | | | |
| (15) | 997 538 964 00 | support with lock cylinder with stipulated lock-no. | /RL/R | 1 | | | | | | | |
| (15) | 997 538 963 01 | support with lock cylinder w/o stipulated lock number | /LL/L | 1 | | | | | | | |
| (15) | 997 538 964 01 | support with lock cylinder w/o stipulated lock number | /RL/R | 1 | | | | | | | |
| (15) | 997 537 463 01 | support without lock cylinder | /RL/L | 1 | | | | | | | |
| (15) | 997 537 464 01 | support without lock cylinder | /LL/R | 1 | | | | | | | |
| 16 | 900 380 015 09 | hexagon nut M 6 | | 2 | | | | | | | |
| 17 | 997 538 931 00 | replacement key with stipulated lock-no. state lock number | | X | | | | | | | |
| 18 | 997 538 531 00 | blank key | | X | | | | | | | |
| 19 | 944 538 431 00 | key cap | | X | | | | | | | |
| 20 | 955 538 916 00 | emergency key with stipulated lock-no. state lock number information available | | X | | | | | | | |
| 20 | 955 538 216 00 | emergency key w/o stipulated lock number | | X | | | | | | | |
| | | - - - E N D - - - | | | | | | | | | |

| | | | | | | | | | | | |
|-------|------|----|----|--------------|--------------|--------|------|------------|---------|-----|---------|
| Model | Year | MG | SG | Illustration | Restrictions | Update | 7:38 | 28.08.2006 | PORSCHE | PET | PORSCHE |
| 997 | 07 | 8 | 04 | 804-30 | | 203 | | | | | |



| Pos | Part Number | Name | Remarks | Qty | Model |
|-------|----------------|---------------------------------------|----------|-----|--------|
| | | power windows | | | |
| 1 | 997 542 075 00 | power windows | /L -05 | 1 | |
| 1 | 987 542 075 01 | power windows | /L 06- | 1 | |
| (1) | 997 542 076 00 | power windows | /R -05 | 1 | |
| (1) | 987 542 076 01 | power windows see technical manual | /R 06- | 1 | |
| | | FA. BROSE | | | |
| 2 | 997 624 101 05 | electric motor | /LL/L-05 | 1 | COUPE |
| (2) | 997 624 104 05 | electric motor | /LL/R-05 | 1 | COUPE |
| (2) | 997 624 102 05 | electric motor | /RL/R-05 | 1 | COUPE |
| (2) | 997 624 103 05 | electric motor | /RL/L-05 | 1 | COUPE |
| (2) | 997 624 105 07 | electric motor | /LL/L-05 | 1 | CABRIO |
| (2) | 997 624 108 07 | electric motor | /LL/R-05 | 1 | CABRIO |
| (2) | 997 624 106 07 | electric motor | /RL/R-05 | 1 | CABRIO |
| (2) | 997 624 107 07 | electric motor | /RL/L-05 | 1 | CABRIO |
| 3 | 999 084 629 01 | nut M 6 | | 4 | |
| | | FA. KUESTER | | | |
| (2) A | 997 624 181 02 | electric motor | /LL/L06- | 1 | |
| (2) | 997 624 181 03 | electric motor | /LL/L06- | 1 | |
| (2) A | 997 624 182 02 | electric motor | /LL/R06- | 1 | |
| (2) | 997 624 182 03 | electric motor | /LL/R06- | 1 | |
| (2) A | 997 624 181 02 | electric motor | /RL/R06- | 1 | |
| (2) | 997 624 181 03 | electric motor | /RL/R06- | 1 | |
| (2) A | 997 624 182 02 | electric motor | /RL/L06- | 1 | |
| (2) | 997 624 182 03 | electric motor | /RL/L06- | 1 | |
| 4 | 999 919 209 09 | oval-head screw M 5 X 22 | | 3 | |
| | | - - - E N D - - - | | | |

| | | | | | | | | | | | |
|-------|------|----|----|--------------|--------------|--------|------|------------|---------|-----|---------|
| Model | Year | MG | SG | Illustration | Restrictions | Update | 7:38 | 28.08.2006 | PORSCHE | PET | PORSCHE |
| 997 | 07 | 8 | 05 | 805-00 | | 203 | | | | | |

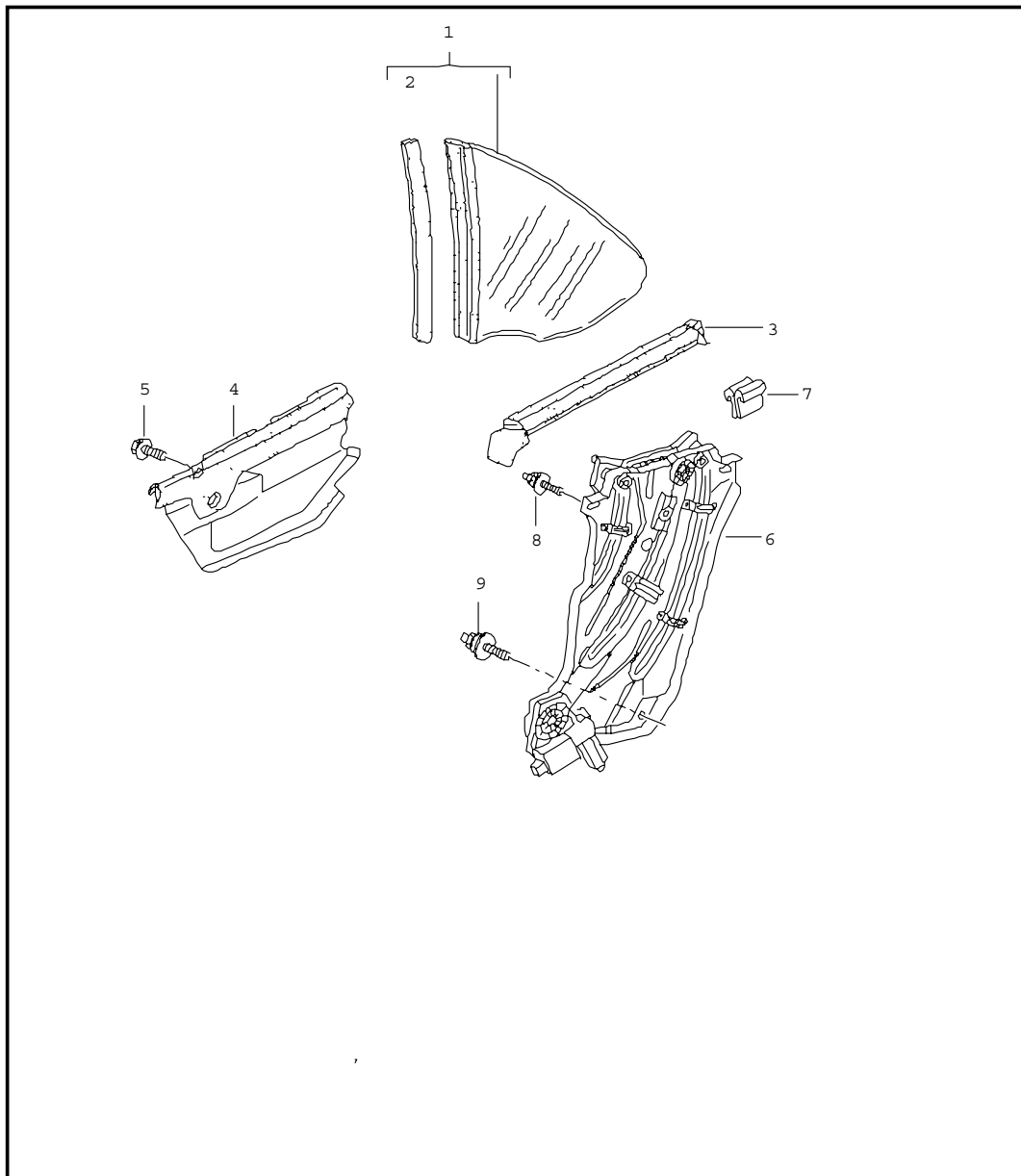


| Pos | Part Number | Name | Remarks | Qty | Model |
|-----|------------------|---|---------|-----|--------------------|
| | | windows | | | |
| 1 | A 997 541 111 00 | windscreen information available | | 1 | I440/568 |
| 1 | 997 541 911 00 | windscreen tinted information available | | 1 | I440/568 COUPE |
| (1) | A 997 541 111 02 | windscreen information available | | 1 | I440/568 |
| (1) | 997 541 911 02 | windscreen tinted information available | | 1 | I440/568 CABRIO |
| (1) | 997 541 111 01 | windscreen tinted upper part: dark green information available | | 1 | I440/567 COUPE |
| (1) | A 997 541 111 03 | windscreen information available | | 1 | I440/567 |
| (1) | 997 541 911 03 | windscreen tinted upper part: dark green information available | | 1 | I440/567 CABRIO |
| 2 | 997 541 901 00 | gasket windscreen rear window | | 1 | COUPE |
| (2) | 997 541 901 01 | gasket windscreen | | 1 | CABRIO |
| 3 | 997 545 111 00 | rear window information available | | 1 | I426/COUPE |
| (3) | 997 545 111 01 | rear window information available | | 1 | I425/COUPE |
| 4 | 997 543 111 00 | rear glass | /L | 1 | |
| (4) | 997 543 112 00 | rear glass | /R | 1 | |
| 5 | 996 543 325 00 | sealing frame | /L | 1 | |
| (5) | 996 543 326 00 | sealing frame rear glass | /R | 1 | |
| 6 | 999 084 210 02 | hexagon nut M 8 | | 1 | |
| 7 | 996 543 611 02 | gasket | | 2 | |
| 8 | 999 218 011 02 | pan-head screw M 6 X 12 | | 2 | |

| | | | | | | | | | | | |
|-------|------|----|----|--------------|--------------|--------|------|------------|---------|-----|---------|
| Model | Year | MG | SG | Illustration | Restrictions | Update | 7:38 | 28.08.2006 | PORSCHE | PET | PORSCHE |
| 997 | 07 | 8 | 05 | 805-00 | | 203 | | | | | |

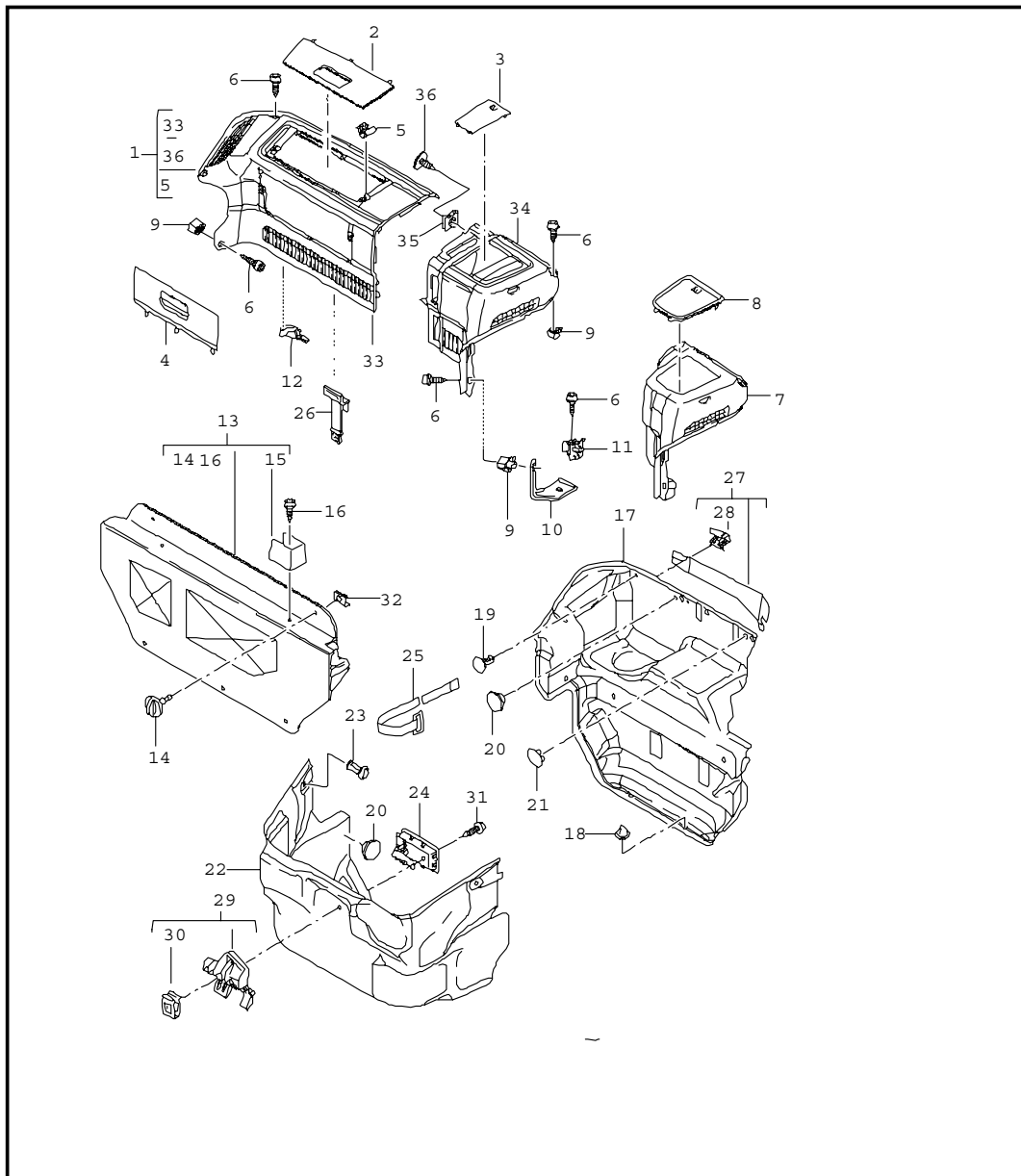
| Pos | Part Number | Name | Remarks | Qty | Model | Pos | Part Number | Name | Remarks | Qty | Model |
|------|----------------|---|---------|-----|--------|-----|-------------|------|---------|-----|-------|
| 9 | 999 025 270 02 | washer 6,4 X 30 X 1,5 | | 1 | | | | | | | |
| 10 | 996 543 625 00 | sealing washer | | 1 | | | | | | | |
| 11 | 997 537 481 00 | roof frame seal | /L | 1 | | | | | | | |
| (11) | 997 537 482 00 | roof frame seal | /R | 1 | | | | | | | |
| 12 | 999 190 445 37 | blind rivet 4,0 X 7,9 | | 13 | | | | | | | |
| 13 | 999 190 450 37 | blind rivet 4,0 X 6,3 | | 7 | | | | | | | |
| 14 | 997 542 511 00 | door glass | /L | 1 | COUPE | | | | | | |
| (14) | 997 542 512 00 | door glass | /R | 1 | COUPE | | | | | | |
| (14) | 997 542 511 01 | door glass | /L | 1 | CABRIO | | | | | | |
| (14) | 997 542 512 01 | door glass | /R | 1 | CABRIO | | | | | | |
| 15 | 000 043 300 94 | adhesive set TEROSTAT 8593 | | 1 | | | | | | | |
| 16 | 999 507 576 41 | support | | 2 | | | | | | | |
| - | 000 043 206 47 | care set side window see technical manual | | X | | | | | | | |
| | | - - - E N D - - - | | | | | | | | | |

| | | | | | | | | | | | |
|-------|------|----|----|--------------|--------------|--------|------|------------|---------|-----|---------|
| Model | Year | MG | SG | Illustration | Restrictions | Update | 7:38 | 28.08.2006 | PORSCHE | PET | PORSCHE |
| 997 | 07 | 8 | 05 | 805-05 | | 203 | | | | | |



| Pos | Part Number | Name | Remarks | Qty | Model |
|-------------------|----------------|-------------------------------|---------|-----|--------|
| | | rear glass | | | CABRIO |
| 1 | 996 543 111 09 | rear glass | /L | 1 | |
| (1) | 996 543 112 09 | rear glass | /R | 1 | |
| 2 | 996 543 615 03 | gasket | /L | 1 | |
| (2) | 996 543 616 03 | gasket | /R | 1 | |
| 3 | 997 543 475 00 | gasket outer | /L | 1 | |
| (3) | 997 543 476 00 | gasket outer | /R | 1 | |
| 4 | 996 543 177 01 | gasket inner | /L | 1 | |
| (4) | 996 543 178 01 | gasket inner | /R | 1 | |
| 5 | 900 378 036 09 | hexagon-head bolt M 6 X 12 | | 4 | |
| 6 | 997 543 015 00 | power windows Fa.Brose | /L -05 | 1 | |
| 6 | 997 543 015 02 | power windows Fa.Kuester | /L 06- | 1 | |
| (6) | 997 543 016 00 | power windows Fa.Brose | /R -05 | 1 | |
| (6) | 997 543 016 02 | power windows Fa.Kuester | /R 06- | 1 | |
| - - - E N D - - - | | | | | |

| | | | | | | | | | | | |
|-------|------|----|----|--------------|--------------|--------|------|------------|---------|-----|---------|
| Model | Year | MG | SG | Illustration | Restrictions | Update | 7:39 | 28.08.2006 | PORSCHE | PET | PORSCHE |
| 997 | 07 | 8 | 07 | 807-00 | | 203 | | | | | |



| Pos | Part Number | Name | Remarks | Qty | Model |
|-----|----------------|---|---------|-----|----------|
| (1) | 997 551 133 00 | luggage compartment lining luggage compartment complete | /LL | 1 | I098/670 |
| | 02A | black | | | |
| (1) | 997 551 133 00 | luggage compartment lining luggage compartment complete | /LL | 1 | I098/672 |
| | 02A | black | | | |
| (1) | 997 551 133 00 | luggage compartment lining luggage compartment complete | /LL | 1 | I098/692 |
| | 02A | black | | | |
| (1) | 997 551 133 01 | luggage compartment lining luggage compartment complete | /RL | 1 | I099/670 |
| | 02A | black | | | |
| (1) | 997 551 133 01 | luggage compartment lining luggage compartment complete | /RL | 1 | I099/672 |
| | 02A | black | | | |
| (1) | 997 551 133 01 | luggage compartment lining luggage compartment complete | /RL | 1 | I099/692 |
| | 02A | black | | | |
| 2 | 997 551 306 00 | cover upper | /LL | 1 | I098/670 |
| | 02A | black | | | |
| 2 | 997 551 306 00 | cover upper | /LL | 1 | I098/672 |
| | 02A | black | | | |
| 2 | 997 551 306 00 | cover upper | /LL | 1 | I098/692 |
| | 02A | black | | | |
| (2) | 997 551 305 00 | cover upper | /RL | 1 | I099 |
| | 02A | black | | | |

| | | | | | | | | | | | |
|-------|------|----|----|--------------|--------------|--------|------|------------|---------|-----|---------|
| Model | Year | MG | SG | Illustration | Restrictions | Update | 7:39 | 28.08.2006 | PORSCHE | PET | PORSCHE |
| 997 | 07 | 8 | 07 | 807-00 | | 203 | | | | | |

| Pos | Part Number | Name | Remarks | Qty | Model | Pos | Part Number | Name | Remarks | Qty | Model |
|-----|----------------|------------------------------|---------|-----|----------|------|----------------|--|---------|-----|----------|
| 3 | 997 551 301 00 | cover brake booster | /LL | 1 | I098/670 | 10 | 997 551 771 01 | support lining luggage compartment | | 1 | |
| | 02A | black | | | | | | | | | |
| 3 | 997 551 301 00 | cover brake booster | /LL | 1 | I098/672 | 11 | 999 507 512 40 | support ST 3,5 | | X | |
| | 02A | black | | | | 12 | 997 551 772 01 | support lining | -05 | 1 | |
| 3 | 997 551 301 00 | cover brake booster | /LL | 1 | I098/692 | (12) | 997 551 772 02 | support lining | 06- | 1 | |
| | 02A | black | | | | 13 | 997 551 123 02 | lining tool carpet | | 1 | |
| (3) | 997 551 302 00 | cover brake booster | /RL | 1 | I099 | | A31 | black | | | |
| | 02A | black | | | | (13) | 997 551 123 03 | lining tool carpet | | 1 | I193 |
| 4 | 997 551 308 00 | cover lower | /LL | 1 | I098/670 | | A31 | black | | | |
| | 02A | black | | | | 14 | 997 551 803 00 | catch lining tool | | 2 | |
| 4 | 997 551 308 00 | cover lower | /LL | 1 | I098/672 | 15 | 997 551 801 00 | support warning triangle | /L | 1 | |
| | 02A | black | | | | | 02A | black | | | |
| 4 | 997 551 308 00 | cover lower | /LL | 1 | I098/692 | (15) | 997 551 802 00 | support warning triangle | /R | 1 | |
| | 02A | black | | | | | 02A | black | | | |
| (4) | 997 551 307 00 | cover lower | /RL | 1 | I099 | 16 | 999 073 362 09 | tapping screw 4,8 X 22 | | 2 | |
| | 02A | black | | | | 17 | 997 551 051 06 | lining luggage compartment bulkhead valid up to: F >>995S7 03359 F >>995S7 35240 order also: position 22 | /LL | 1 | I098/476 |
| 5 | 999 507 735 02 | clamp 9 X 22/2,5 | | 4 | | | A31 | black | | | |
| 6 | 999 073 049 02 | tapping screw ST 3,5 X 16 | | X | | | | | | | |
| 7 | 997 551 231 00 | lining brake booster | /LL | 1 | I098 | | | | | | |
| | 02A | black | | | | | | | | | |
| 8 | 997 551 311 00 | cover brake booster | /LL | 1 | I098 | | | | | | |
| | 02A | black | | | | | | | | | |
| 9 | 999 507 734 40 | support ST 3,5 | | X | | | | | | | |

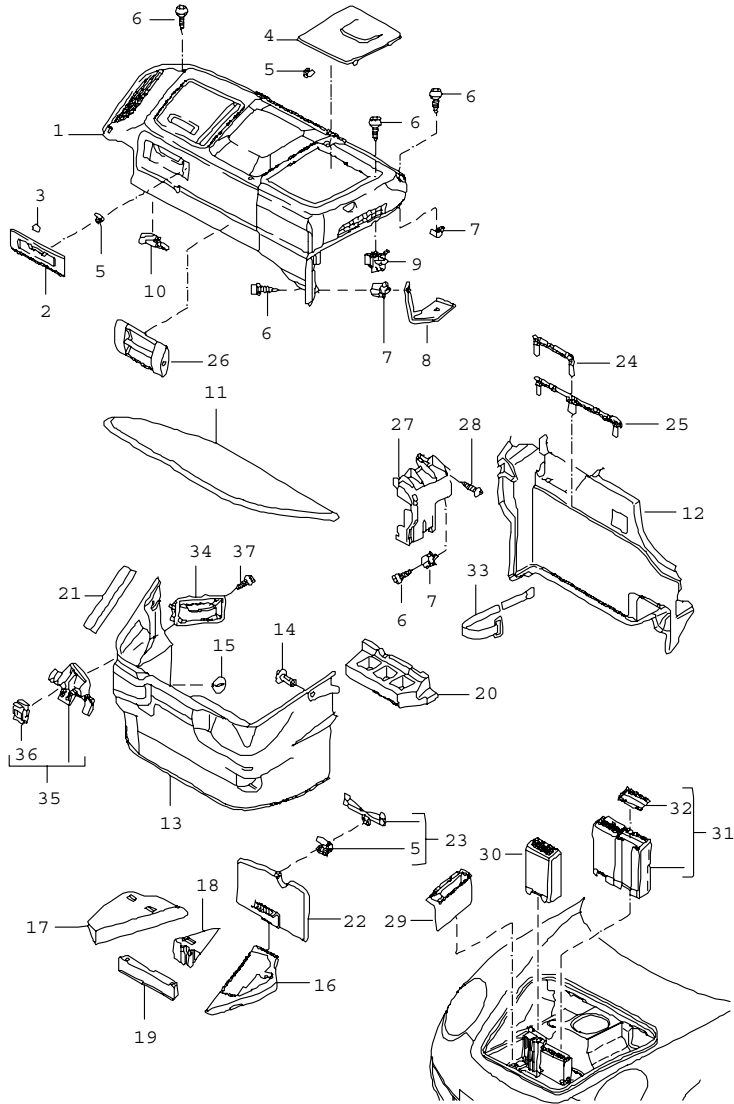
| | | | | | | | | | | | |
|-------|------|----|----|--------------|--------------|--------|------|------------|---------|-----|---------|
| Model | Year | MG | SG | Illustration | Restrictions | Update | 7:39 | 28.08.2006 | PORSCHE | PET | PORSCHE |
| 997 | 07 | 8 | 07 | 807-00 | | 203 | | | | | |

| Pos | Part Number | Name | Remarks | Qty | Model | Pos | Part Number | Name | Remarks | Qty | Model |
|------|----------------|---|---------|-----|--------------|------|----------------|---|---------|-----|--------------|
| (17) | 997 551 051 08 | lining luggage compartment bulkhead valid up to: F >>995S7 03359 F >>995S7 35240 order also: position 22 A31 black | /LL | 1 | I098/476/670 | (17) | 997 551 051 16 | lining luggage compartment bulkhead carpet valid from: F 995S7 03360>> F 995S7 35241>> A31 black | /LL | 1 | I098/476/670 |
| (17) | 997 551 051 08 | lining luggage compartment bulkhead valid up to: F >>995S7 03359 F >>995S7 35240 order also: position 22 A31 black | /LL | 1 | I098/476/692 | (17) | 997 551 051 16 | lining luggage compartment bulkhead carpet valid from: F 995S7 03360>> F 995S7 35241>> A31 black | /LL | 1 | I098/476/692 |
| (17) | 997 551 051 10 | lining luggage compartment bulkhead valid up to: F >>995S7 03359 F >>995S7 35240 order also: position 22 A31 black | | 1 | I476/664 | (17) | 997 551 051 16 | lining luggage compartment bulkhead carpet valid from: F 995S7 03360>> F 995S7 35241>> A31 black | /LL | 1 | I098/476/692 |
| (17) | 997 551 051 12 | lining luggage compartment bulkhead valid up to: F >>995S7 03359 F >>995S7 35240 order also: position 22 A31 black | /RL | 1 | I099 | (17) | 997 551 051 18 | lining luggage compartment bulkhead carpet valid from: F 995S7 03360>> F 995S7 35241>> A31 black | /RL | 1 | I099 |
| (17) | 997 551 051 15 | lining luggage compartment bulkhead carpet valid from: F 995S7 03360>> F 995S7 35241>> A31 black | /LL | 1 | I098/476 | 18 | 999 049 004 40 | plastic nut T5 / 32 X 20 | | 2 | |
| | | | | | | 19 | 999 703 432 40 | plug 8,2 X 18 | | 2 | |
| | | | | | | 20 | 999 703 455 41 | cover 12,2 X 25 | | X | |
| | | | | | | 21 | 999 703 456 40 | cap 49 X 26 | | 1 | |

| | | | | | | | | | | | |
|-------|------|----|----|--------------|--------------|--------|------|------------|---------|-----|---------|
| Model | Year | MG | SG | Illustration | Restrictions | Update | 7:39 | 28.08.2006 | PORSCHE | PET | PORSCHE |
| 997 | 07 | 8 | 07 | 807-00 | | 203 | | | | | |

| Pos | Part Number | Name | Remarks | Qty | Model | Pos | Part Number | Name | Remarks | Qty | Model |
|------|----------------|---|---------|-----|----------|------|----------------|--|---------|-----|----------|
| 22 | 997 551 045 00 | lining luggage compartment pan carpet valid up to: F >>995S7 03359 F >>995S7 35240 order also: position 17 A31 black | | 1 | | 33 | 997 551 634 00 | lining luggage compartment FMU black/black | /LL | 1 | I098/692 |
| | | | | | | (33) | 997 551 635 00 | lining luggage compartment FMU black/black | /RL | 1 | I099 |
| 22 | 997 551 045 12 | lining luggage compartment pan carpet valid from: F 995S7 03360>> F 995S7 35241>> A31 black | | 1 | | 34 | 997 551 633 00 | lining brake booster FMU black/black | /LL | 1 | I098/670 |
| | | | | | | 34 | 997 551 633 00 | lining brake booster FMU black/black | /LL | 1 | I098/672 |
| 23 | 999 049 006 40 | plastic nut T5 /30 X 7,5 | | 2 | | 34 | 997 551 633 00 | lining brake booster FMU black/black | /LL | 1 | I098/692 |
| 25 | 997 551 741 00 | retaining strap first-aid kit | | 1 | I024 | (34) | 997 551 632 00 | lining brake booster FMU black/black | | 1 | I099 |
| (25) | 997 551 741 00 | retaining strap first-aid kit | | 1 | I499 | | | | | | |
| 26 | 997 551 805 00 | fastening clip bag wind deflector 01C satin black | | 1 | CABRIO | 35 | 999 507 795 09 | speed nut 4,8 | | 3 | |
| | | | | | | 36 | 999 073 231 09 | tapping screw 4,8 X 16 | | 3 | |
| 27 | 997 551 751 00 | lining lines carpet A31 black | | 1 | I099 | | | - - - E N D - - - | | | |
| 28 | 999 507 116 01 | u-clamp 23,0 - 23,5 | | 2 | I099 | | | | | | |
| 32 | 999 590 055 09 | clamp 10,7 X 11,5 | | 2 | | | | | | | |
| 33 | 997 551 634 00 | lining luggage compartment FMU black/black | /LL | 1 | I098/670 | | | | | | |
| 33 | 997 551 634 00 | lining luggage compartment FMU black/black | /LL | 1 | I098/672 | | | | | | |

| | | | | | | | | | | | |
|-------|------|----|----|--------------|--------------|--------|------|------------|---------|-----|---------|
| Model | Year | MG | SG | Illustration | Restrictions | Update | 7:39 | 28.08.2006 | PORSCHE | PET | PORSCHE |
| 997 | 07 | 8 | 07 | 807-01 | | 203 | | | | | |



| Pos | Part Number | Name | Remarks | Qty | Model |
|-----|----------------|------------------------------------|---------|-----|-----------|
| | | luggage compartment | 06- | | CARRERA 4 |
| 1 | 997 551 630 00 | lining luggage compartment | /LL | 1 | I098 |
| | | FMU black/black | | | |
| 1 | 997 551 630 01 | lining luggage compartment | /RL | 1 | I099 |
| | | FMU black/black | | | |
| 2 | 997 551 304 00 | cover lining lower | /LL | 1 | I098 |
| | | 02A black | | | |
| 3 | 997 551 817 00 | support hinge | /LL | 2 | I098 |
| 4 | 997 551 309 00 | cover brake booster | /LL | 1 | I098 |
| | | 02A black | | | |
| (4) | 997 551 310 00 | cover brake booster | /RL | 1 | I099 |
| | | 02A black | | | |
| 5 | 999 507 552 01 | spring clamp 9 X 13/3,0 | | X | |
| 6 | 999 073 048 02 | tapping screw ST 3,5 X 13 | | X | |
| 7 | 999 507 734 40 | support ST 3,5 | | X | |
| 8 | 997 551 771 02 | support lining luggage compartment | | 1 | |
| 9 | 999 507 512 40 | support ST 3,5 | | X | |
| 10 | 997 551 772 02 | support lining | | 1 | |
| 11 | 997 551 351 00 | cover tool carpet | | 1 | |
| | | A31 black | | | |

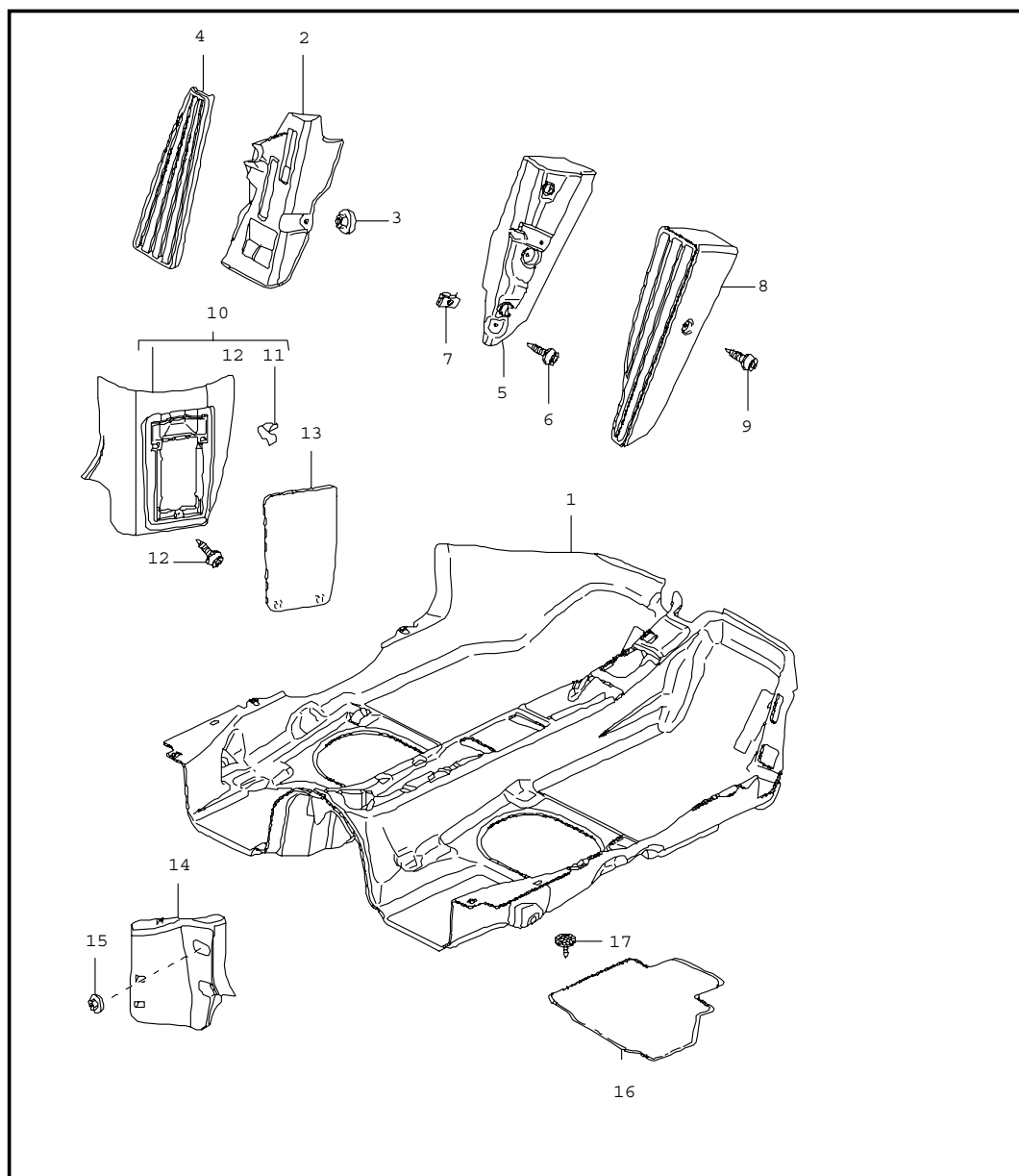
| | | | | | | | | | | | |
|-------|------|----|----|--------------|--------------|--------|------|------------|---------|-----|---------|
| Model | Year | MG | SG | Illustration | Restrictions | Update | 7:39 | 28.08.2006 | PORSCHE | PET | PORSCHE |
| 997 | 07 | 8 | 07 | 807-01 | | 203 | | | | | |

| Pos | Part Number | Name | Remarks | Qty | Model | Pos | Part Number | Name | Remarks | Qty | Model | |
|------|----------------|------------------------|---------|-----|--------------|------|----------------|---------------------------------------|-----------------------------------|-------|----------|----------|
| (11) | 997 551 351 04 | cover tool carpet | /LL | 1 | I098/692 | | A31 | black | | | | |
| | A31 | black | | | | 13 | 997 551 045 14 | lining luggage compartment pan carpet | /LL | 1 | I098 | |
| (11) | 997 551 351 06 | cover tool carpet | /RL | 1 | I099/670 | | A31 | black | | | | |
| | A31 | black | | | | (13) | 997 551 045 16 | lining luggage compartment pan carpet | /RL | 1 | I099 | |
| (11) | 997 551 351 06 | cover tool carpet | /RL | 1 | I099/672 | | A31 | black | | | | |
| | A31 | black | | | | 14 | 999 049 006 40 | plastic nut T5 / 30 X 7,5 | | 2 | | |
| (11) | 997 551 351 07 | cover tool carpet | /RL | 1 | I099/692 | | 15 | 997 551 807 00 | cap nut | 1 | | |
| | A31 | black | | | | (15) | 999 703 455 41 | cover | | 1 | I490/680 | |
| (11) | 997 551 351 08 | cover tool carpet | /RL | 1 | I099/670/692 | | 16 | 997 551 401 00 | foam part tool | /LL/L | 1 | I098 |
| | A31 | black | | | | (16) | 997 551 402 00 | foam part tool | /RL/R | 1 | I099 | |
| (11) | 997 551 351 08 | cover tool carpet | /RL | 1 | I099/672/692 | | 17 | 997 551 408 00 | foam part luggage compartment pan | /LL/R | 1 | I098 |
| | A31 | black | | | | (17) | 997 551 407 00 | foam part luggage compartment pan | /RL/L | 1 | I099 | |
| 12 | 997 551 051 19 | lining bulkhead carpet | /LL | 1 | I098/476 | | 18 | 997 551 405 00 | foam part compressor rear | | 1 | |
| | A31 | black | | | | 19 | 997 551 403 00 | foam part compressor front | | 1 | | |
| (12) | 997 551 051 22 | lining bulkhead carpet | /RL | 1 | I099/476 | | 20 | 997 551 412 00 | foam part bulkhead | | 1 | |
| | A31 | black | | | | 21 | 997 551 414 00 | foam part cd changer | /LL | 1 | I098/692 | |
| (12) | 997 551 051 23 | lining bulkhead carpet | /RL | 1 | I099/476/670 | | (21) | 997 551 413 00 | foam part cd changer | /RL | 1 | I099/692 |
| | A31 | black | | | | 22 | 997 551 501 00 | cover compressed air bottle | /LL | 1 | I098 | |
| (12) | 997 551 051 23 | lining bulkhead carpet | /RL | 1 | I099/476/672 | | A31 | black | | | | |
| | | | | | | (22) | 997 551 502 00 | cover compressed air bottle | /RL | 1 | I099 | |

| | | | | | | | | | | | |
|-------|------|----|----|--------------|--------------|--------|------|------------|---------|-----|---------|
| Model | Year | MG | SG | Illustration | Restrictions | Update | | | | | |
| 997 | 07 | 8 | 07 | 807-01 | | 203 | 7:39 | 28.08.2006 | PORSCHE | PET | PORSCHE |

| Pos | Part Number | Name | Remarks | Qty | Model | Pos | Part Number | Name | Remarks | Qty | Model |
|------|----------------|-------------------------------------|---------|-----|--------------|-----|-------------|------|---------|-----|-------|
| | A31 | black | | | | | | | | | |
| 23 | 997 551 415 00 | adapter compressed air bottle | | 1 | | | | | | | |
| 26 | 997 551 805 01 | eye luggage compartment front | | 1 | | | | | | | |
| | 02A | black | | | | | | | | | |
| 27 | 997 551 736 01 | cover control unit | | 1 | | | | | | | |
| 28 | 999 073 061 02 | tapping screw ST 4,8 X 16 | | X | | | | | | | |
| 29 | 997 551 104 00 | lining cd changer | /LL | 1 | I098/692 | | | | | | |
| | 02A | black | | | | | | | | | |
| (29) | 997 551 103 00 | lining cd changer | /RL | 1 | I099/692 | | | | | | |
| | 02A | black | | | | | | | | | |
| 30 | 997 551 108 00 | lining booster | | 1 | I664 | | | | | | |
| | 02A | black | | | | | | | | | |
| (31) | 997 551 105 00 | lining dvd | /RL | 1 | I099/670 | | | | | | |
| | 02A | black | | | | | | | | | |
| (31) | 997 551 105 00 | lining dvd | /RL | 1 | I099/672 | | | | | | |
| | 02A | black | | | | | | | | | |
| (32) | 997 551 811 00 | cover lining dvd | /RL | 1 | I099/670/672 | | | | | | |
| | 02A | black | | | | | | | | | |
| 33 | 997 551 741 00 | retaining strap | | 1 | I024 | | | | | | |
| (33) | 997 551 741 00 | retaining strap first-aid kit | | 1 | I499 | | | | | | |
| | | - - - E N D - - - | | | | | | | | | |

| | | | | | | | | | | | |
|-------|------|----|----|--------------|--------------|--------|------|------------|---------|-----|---------|
| Model | Year | MG | SG | Illustration | Restrictions | Update | 7:39 | 28.08.2006 | PORSCHE | PET | PORSCHE |
| 997 | 07 | 8 | 07 | 807-02 | | 203 | | | | | |



| Pos | Part Number | Name | Remarks | Qty | Model |
|-----|----------------|---------------------------------|---------|-----|-------|
| 1 | 997 551 011 00 | carpet linings carpet carpet | /LL -05 | 1 | COUPE |
| | FLW | black | | | |
| | FLX | stone grey | | | |
| | FLY | sand beige | | | |
| | FLZ | sea blue | | | |
| | FMA | palmgreen | | | |
| | FMB | terracotta | | | |
| | FMC | cocoa | | | |
| | FMD | dark grey/natural | | | |
| | FME | brown/natural | | | |
| 1 | 997 551 011 08 | carpet carpet | /LL 06- | 1 | COUPE |
| | FLW | black | | | |
| | FLX | stone grey | | | |
| | FLY | sand beige | | | |
| | FLZ | sea blue | | | |
| | FMA | palmgreen | | | |
| | FMB | terracotta | | | |
| | FMC | cocoa | | | |
| | FMD | dark grey/natural | | | |
| | FME | brown/natural | | | |
| (1) | 997 551 011 01 | carpet carpet | /RL -05 | 1 | COUPE |
| | FLW | black | | | |
| | FLX | stone grey | | | |
| | FLY | sand beige | | | |
| | FLZ | sea blue | | | |
| | FMA | palmgreen | | | |

| | | | | | | | | | | | |
|-------|------|----|----|--------------|--------------|--------|------|------------|---------|-----|---------|
| Model | Year | MG | SG | Illustration | Restrictions | Update | | | | | |
| 997 | 07 | 8 | 07 | 807-02 | | 203 | 7:39 | 28.08.2006 | PORSCHE | PET | PORSCHE |

| Pos | Part Number | Name | Remarks | Qty | Model | Pos | Part Number | Name | Remarks | Qty | Model |
|----------------|----------------|-----------------------|---------|-----|-------------|-----|----------------|-----------------------|---------|-----|-------------|
| (1) | 997 551 011 09 | FMB terracotta | /RL 06- | 1 | COUPE | (1) | 997 551 011 03 | FLZ sea blue | /RL -05 | 1 | CABRIO/I490 |
| | | FMC cocoa | | | | | | FMA palmgreen | | | |
| | | FMD dark grey/natural | | | | | | FMB terracotta | | | |
| | | FME brown/natural | | | | | | FMC cocoa | | | |
| | | carpet | | | | | | FMD dark grey/natural | | | |
| | | carpet | | | | | | FME brown/natural | | | |
| | | FLW black | | | | | | carpet | | | |
| | | FLX stone grey | | | | | | carpet | | | |
| | | FLY sand beige | | | | | | FLW black | | | |
| | | FLZ sea blue | | | | | | FLX stone grey | | | |
| (1) | 997 551 011 02 | FMA palmgreen | /LL -05 | 1 | CABRIO/I490 | (1) | 997 551 011 11 | FLY sand beige | /RL 06- | 1 | CABRIO/I490 |
| | | FMB terracotta | | | | | | FLZ sea blue | | | |
| | | FMC cocoa | | | | | | FMA palmgreen | | | |
| | | FMD dark grey/natural | | | | | | FMB terracotta | | | |
| | | FME brown/natural | | | | | | FMC cocoa | | | |
| | | carpet | | | | | | FMD dark grey/natural | | | |
| | | carpet | | | | | | FME brown/natural | | | |
| | | FLW black | | | | | | carpet | | | |
| | | FLX stone grey | | | | | | carpet | | | |
| | | FLY sand beige | | | | | | FLW black | | | |
| (1) | 997 551 011 10 | FLZ sea blue | /LL 06- | 1 | CABRIO/I490 | (1) | 997 551 011 04 | FLX stone grey | /LL -05 | 1 | CABRIO/I680 |
| | | FMA palmgreen | | | | | | FLY sand beige | | | |
| | | FMB terracotta | | | | | | FLZ sea blue | | | |
| | | FMC cocoa | | | | | | FMA palmgreen | | | |
| | | FMD dark grey/natural | | | | | | FMB terracotta | | | |
| | | FME brown/natural | | | | | | FMC cocoa | | | |
| | | carpet | | | | | | FMD dark grey/natural | | | |
| | | carpet | | | | | | FME brown/natural | | | |
| | | FLW black | | | | | | carpet | | | |
| | | FLX stone grey | | | | | | carpet | | | |
| FLY sand beige | FLW black | | | | | | | | | | |

| | | | | | | | | | | | |
|-------|------|----|----|--------------|--------------|--------|------|------------|---------|-----|---------|
| Model | Year | MG | SG | Illustration | Restrictions | Update | 7:39 | 28.08.2006 | PORSCHE | PET | PORSCHE |
| 997 | 07 | 8 | 07 | 807-02 | | 203 | | | | | |

| Pos | Part Number | Name | Remarks | Qty | Model | Pos | Part Number | Name | Remarks | Qty | Model |
|-----|----------------|-----------------------|---------|-----|-------------|-----|----------------|-----------------------|---------|-----|-------------|
| | | FLX stone grey | | | | (1) | 997 551 011 13 | carpet carpet | /RL 06- | 1 | CABRIO/I680 |
| | | FLY sand beige | | | | | | FLW black | | | |
| | | FLZ sea blue | | | | | | FLX stone grey | | | |
| | | FMA palmgreen | | | | | | FLY sand beige | | | |
| | | FMB terracotta | | | | | | FLZ sea blue | | | |
| | | FMC cocoa | | | | | | FMA palmgreen | | | |
| | | FMD dark grey/natural | | | | | | FMB terracotta | | | |
| | | FME brown/natural | | | | | | FMC cocoa | | | |
| (1) | 997 551 011 12 | carpet carpet | /LL 06- | 1 | CABRIO/I680 | | | FMD dark grey/natural | | | |
| | | FLW black | | | | | | FME brown/natural | | | |
| | | FLX stone grey | | | | (1) | 997 551 011 08 | carpet carpet | /LL 07- | 1 | TARGA/I490 |
| | | FLY sand beige | | | | | | FLW black | | | |
| | | FLZ sea blue | | | | | | FLX stone grey | | | |
| | | FMA palmgreen | | | | | | FLY sand beige | | | |
| | | FMB terracotta | | | | | | FLZ sea blue | | | |
| | | FMC cocoa | | | | | | FMA palmgreen | | | |
| | | FMD dark grey/natural | | | | | | FMB terracotta | | | |
| | | FME brown/natural | | | | | | FMC cocoa | | | |
| (1) | 997 551 011 05 | carpet carpet | /RL -05 | 1 | CABRIO/I680 | | | FMD dark grey/natural | | | |
| | | FLW black | | | | | | FME brown/natural | | | |
| | | FLX stone grey | | | | (1) | 997 551 011 09 | carpet carpet | /RL 07- | 1 | TARGA/I490 |
| | | FLY sand beige | | | | | | FLW black | | | |
| | | FLZ sea blue | | | | | | FLX stone grey | | | |
| | | FMA palmgreen | | | | | | FLY sand beige | | | |
| | | FMB terracotta | | | | | | FLZ sea blue | | | |
| | | FMC cocoa | | | | | | FMA palmgreen | | | |
| | | FMD dark grey/natural | | | | | | FMB terracotta | | | |
| | | FME brown/natural | | | | | | FMC cocoa | | | |

| | | | | | | | | | | | |
|-------|------|----|----|--------------|--------------|--------|------|------------|---------|-----|---------|
| Model | Year | MG | SG | Illustration | Restrictions | Update | 7:39 | 28.08.2006 | PORSCHE | PET | PORSCHE |
| 997 | 07 | 8 | 07 | 807-02 | | 203 | | | | | |

| Pos | Part Number | Name | Remarks | Qty | Model | Pos | Part Number | Name | Remarks | Qty | Model |
|-----|----------------|---------------------------|---------|-----|------------|-----|----------------|--|---------|-----|----------|
| (1) | FMD | dark grey/natural | /LL 07- | 1 | TARGA/I680 | 3 | 999 076 081 40 | plastic nut T5/16 X 11,2 FUER mount foot support | /LL | 2 | |
| | FME | brown/natural | | | | 4 | 997 551 611 00 | cover foot support | /LL | 1 | |
| | FLW | black | | | | 01C | | satin black | | | |
| | FLX | stone grey | | | | (4) | 997 551 986 00 | cover foot support | /LL | 1 | IXXZ/098 |
| | FLY | sand beige | | | | 5 | 997 551 212 00 | foot support | /RL | 1 | |
| | FLZ | sea blue | | | | 6 | 999 073 060 02 | tapping screw ST 4,8 X 13 for mount foot support | /RL | 2 | I099 |
| | FMA | palmgreen | | | | 7 | 999 591 485 02 | speed nut ST 4,8 for mount foot support | /RL | 2 | |
| | FMB | terracotta | | | | 8 | 997 551 612 00 | cover foot support | /RL | 1 | |
| | FMC | cocoa | | | | 01C | | satin black | | | |
| | FMD | dark grey/natural | | | | 9 | 999 919 188 09 | oval-head screw 5,0 X 30 for mount cover foot support | /RL | 1 | I099 |
| (1) | FME | brown/natural | /RL 07- | 1 | TARGA/I680 | 10 | 997 551 101 00 | lining fusebox carpet | /LL | 1 | I098 |
| | FLW | black | | | | A10 | | black | | | |
| | FLX | stone grey | | | | B10 | | stone grey | | | |
| | FLY | sand beige | | | | T10 | | sand beige | | | |
| | FLZ | sea blue | | | | E10 | | sea blue | | | |
| | FMA | palmgreen | | | | J10 | | palmgreen | | | |
| | FMB | terracotta | | | | M10 | | terracotta | | | |
| | FMC | cocoa | | | | R10 | | cocoa | | | |
| | FMD | dark grey/natural | | | | | | | | | |
| | FME | brown/natural | | | | | | | | | |
| -- | 997 551 813 00 | protective film carpet | /LL | 1 | | | | | | | |
| -- | 997 551 815 00 | protective film carpet | /RL | 1 | | | | | | | |
| 2 | 997 551 211 00 | foot support | /LL | 1 | | | | | | | |

| | | | | | | | | | | | |
|-------|------|----|----|--------------|--------------|--------|------|------------|---------|-----|---------|
| Model | Year | MG | SG | Illustration | Restrictions | Update | 7:39 | 28.08.2006 | PORSCHE | PET | PORSCHE |
| 997 | 07 | 8 | 07 | 807-02 | | 203 | | | | | |

| Pos | Part Number | Name | Remarks | Qty | Model | Pos | Part Number | Name | Remarks | Qty | Model |
|------|----------------|---|---------|-----|-------|------|----------------|---|---------|-----|----------------------|
| | | D11 dark grey/natural | | | | (14) | 997 551 711 02 | support carpet | /RL 06- | 1 | I099 |
| | | T11 brown/natural | | | | | | | | | |
| (10) | 997 551 102 00 | lining fusebox carpet | /RL | 1 | I099 | 15 | 999 076 081 40 | plastic nut T5/16 X 11,2 mount support carpet | | 2 | |
| | | A10 black | | | | | | | | | |
| | | B10 stone grey | | | | 16 | 997 551 984 00 | floor mat | /LL -06 | 1 | COUPE/ IXX1/098 |
| | | T10 sand beige | | | | | | set perlon velour | | | |
| | | E10 sea blue | | | | | A41 | black | | | |
| | | J10 palmgreen | | | | | B21 | stone grey | | | |
| | | M10 terracotta | | | | | T41 | sand beige | | | |
| | | R10 cocoa | | | | | E21 | sea blue | | | |
| | | D11 dark grey/natural | | | | | J41 | palmgreen | | | |
| | | T11 brown/natural | | | | | M21 | terracotta | | | |
| 11 | 999 507 552 02 | spring clamp 9,0 X 13/4,0 | | 2 | | | R41 | cocoa | | | |
| 12 | 999 919 161 09 | oval-head screw 5,0 X 18 for mount lining fusebox | | 3 | | (16) | T21 | brown/natural | /RL -06 | 1 | COUPE/ IXX1/099 |
| | | | | | | | | floor mat | | | |
| | | | | | | | | set perlon velour | | | |
| 13 | 997 551 621 00 | cover lining fusebox | /LL | 1 | | | A41 | black | | | |
| | | 01C satin black | | | | | B21 | stone grey | | | |
| (13) | 997 551 622 00 | cover lining fusebox | /RL | 1 | | | T41 | sand beige | | | |
| | | 01C satin black | | | | | E21 | sea blue | | | |
| 14 | 997 551 712 01 | support carpet | /LL -05 | 1 | I098 | | J41 | palmgreen | | | |
| (14) | 997 551 711 01 | support carpet | /RL -05 | 1 | I099 | | M21 | terracotta | | | |
| (14) | 997 551 712 02 | support carpet | /LL 06- | 1 | I098 | | R41 | cocoa | | | |
| | | | | | | | T21 | brown/natural | | | |
| | | | | | | 16 | 997 551 984 00 | floor mat | /LL -06 | 1 | CABRIO/ IXX1/098/490 |
| | | | | | | | | set perlon velour | | | |
| | | | | | | | A41 | black | | | |

| | | | | | | | | | | | |
|-------|------|----|----|--------------|--------------|--------|------|------------|---------|-----|---------|
| Model | Year | MG | SG | Illustration | Restrictions | Update | | | | | |
| 997 | 07 | 8 | 07 | 807-02 | | 203 | 7:39 | 28.08.2006 | PORSCHE | PET | PORSCHE |

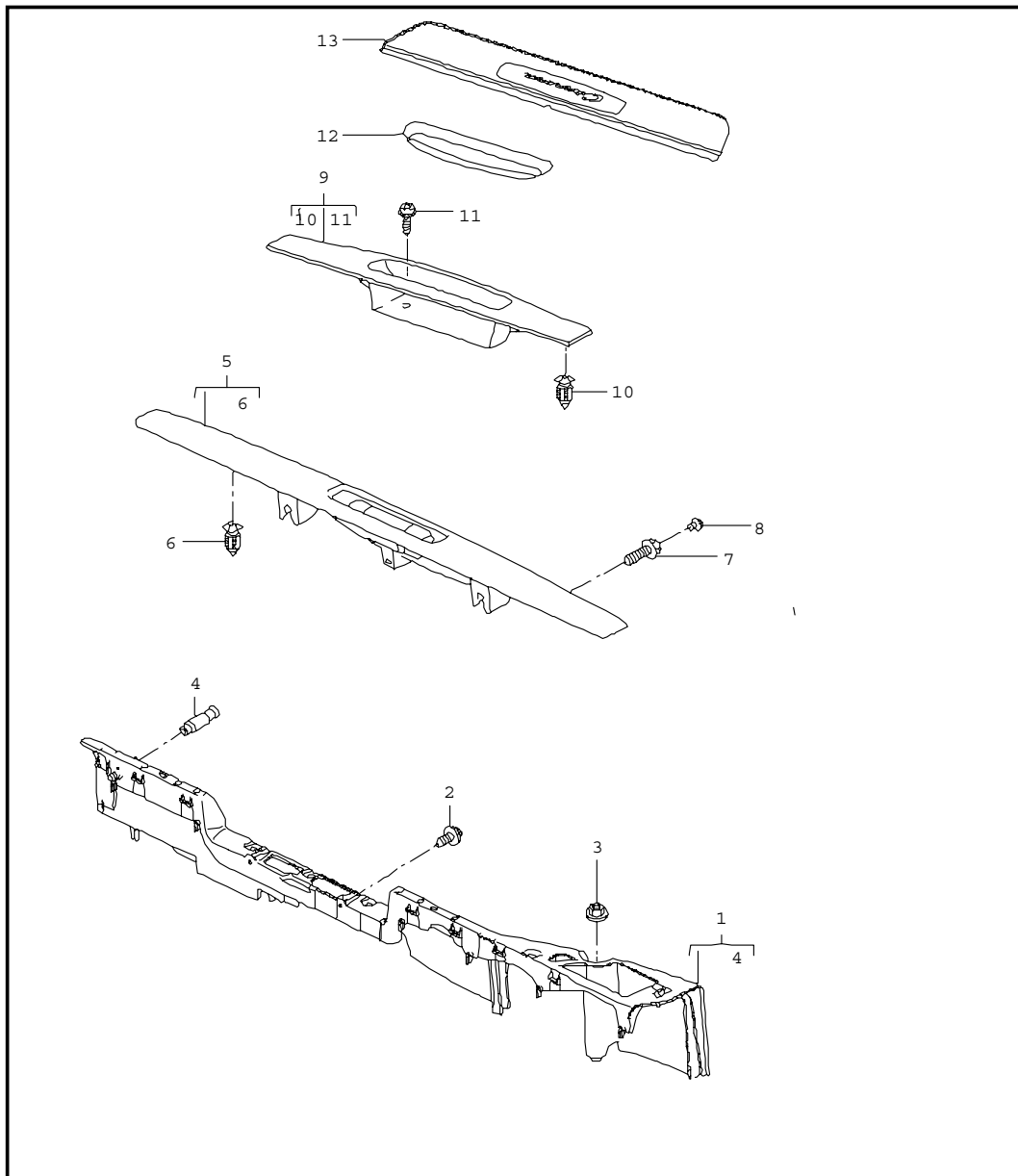
| Pos | Part Number | Name | Remarks | Qty | Model | Pos | Part Number | Name | Remarks | Qty | Model |
|------|----------------|-----------------------------------|---------|-----|-------------------------|------|----------------|-----------------------------------|---------|-----|-------------------------|
| (16) | 997 551 984 01 | floor mat set perlon velour | -06 | 1 | CABRIO/ IXX1/099/490 | (16) | 997 551 984 03 | floor mat set perlon velour | /RL -06 | 1 | CABRIO/ IXX1/099/680 |
| | | B21 stone grey | | | | | | A41 black | | | |
| | | T41 sand beige | | | | | | B21 stone grey | | | |
| | | E21 sea blue | | | | | | T41 sand beige | | | |
| | | J41 palmgreen | | | | | | E21 sea blue | | | |
| | | M21 terracotta | | | | | | J41 palmgreen | | | |
| | | R41 cocoa | | | | | | M21 terracotta | | | |
| | | T21 brown/natural | | | | | | R41 cocoa | | | |
| | | A41 black | | | | | | T21 brown/natural | | | |
| (16) | 997 551 984 02 | floor mat set perlon velour | /LL -06 | 1 | CABRIO/ IXX1/098/680 | 16 | 997 551 984 04 | floor mat set perlon velour | /LL 07- | 1 | COUPE/ I098/810 |
| | | B21 stone grey | | | | | | A41 black | | | |
| | | T41 sand beige | | | | | | B21 stone grey | | | |
| | | E21 sea blue | | | | | | T41 sand beige | | | |
| | | J41 palmgreen | | | | | | E21 sea blue | | | |
| | | M21 terracotta | | | | | | J41 palmgreen | | | |
| | | R41 cocoa | | | | | | M21 terracotta | | | |
| | | T21 brown/natural | | | | | | R41 cocoa | | | |
| | | A41 black | | | | | | T21 brown/natural | | | |
| (16) | 997 551 984 05 | floor mat set perlon velour | | | | (16) | 997 551 984 05 | floor mat set perlon velour | /RL 07- | 1 | COUPE/ I099/810 |
| | | B21 stone grey | | | | | | A41 black | | | |
| | | T41 sand beige | | | | | | B21 stone grey | | | |
| | | E21 sea blue | | | | | | T41 sand beige | | | |
| | | J41 palmgreen | | | | | | E21 sea blue | | | |
| | | M21 terracotta | | | | | | J41 palmgreen | | | |
| | | R41 cocoa | | | | | | M21 terracotta | | | |
| | | T21 brown/natural | | | | | | | | | |

| | | | | | | | | | | | |
|-------|------|----|----|--------------|--------------|--------|------|------------|---------|-----|---------|
| Model | Year | MG | SG | Illustration | Restrictions | Update | | | | | |
| 997 | 07 | 8 | 07 | 807-02 | | 203 | 7:39 | 28.08.2006 | PORSCHE | PET | PORSCHE |

| Pos | Part Number | Name | Remarks | Qty | Model | Pos | Part Number | Name | Remarks | Qty | Model |
|------|----------------|----------------------|---------|-----|------------------------------|------|----------------|--------------------------------------|---------|-----|------------------------------|
| (16) | R41 | cocoa | /LL 07- | 1 | CABRIO/TARGA I098/490/810 | (16) | J41 | palmgreen | /RL 07- | 1 | CABRIO/TARGA I099/680/810 |
| | T21 | brown/natural | | | | | M21 | terracotta | | | |
| | 997 551 984 04 | floor mat | | | | | R41 | cocoa | | | |
| | | set perlon velour | | | | | T21 | brown/natural | | | |
| | A41 | black | | | | | 997 551 984 07 | floor mat | | | |
| | B21 | stone grey | | | | | | set perlon velour | | | |
| | T41 | sand beige | | | | | A41 | black | | | |
| | E21 | sea blue | | | | | B21 | stone grey | | | |
| | J41 | palmgreen | | | | | T41 | sand beige | | | |
| | M21 | terracotta | | | | | E21 | sea blue | | | |
| (16) | R41 | cocoa | /RL 07- | 1 | CABRIO/TARGA I099/490/810 | 17 | J41 | palmgreen | | 4 | |
| | T21 | brown/natural | | | | | M21 | terracotta | | | |
| | 997 551 984 05 | floor mat | | | | | R41 | cocoa | | | |
| | | set perlon velour | | | | | T21 | brown/natural | | | |
| | A41 | black | | | | | 999 902 054 40 | fastening plate for floor mats | | | |
| | B21 | stone grey | | | | | | | | | |
| | T41 | sand beige | | | | | | | | | |
| | E21 | sea blue | | | | | | | | | |
| | J41 | palmgreen | | | | | | | | | |
| | M21 | terracotta | | | | | | | | | |
| (16) | R41 | cocoa | /LL 07- | 1 | CABRIO/TARGA I098/680/810 | | | | | | |
| | T21 | brown/natural | | | | | | | | | |
| | 997 551 984 06 | floor mat | | | | | | | | | |
| | | set perlon velour | | | | | | | | | |
| | A41 | black | | | | | | | | | |
| | B21 | stone grey | | | | | | | | | |
| | T41 | sand beige | | | | | | | | | |
| | E21 | sea blue | | | | | | | | | |
| | | | | | | | | | | | |
| | | | | | | | | | | | |

- - - E N D - - -

| | | | | | | | | | | | |
|-------|------|----|----|--------------|--------------|--------|------|------------|---------|-----|---------|
| Model | Year | MG | SG | Illustration | Restrictions | Update | 7:39 | 28.08.2006 | PORSCHE | PET | PORSCHE |
| 997 | 07 | 8 | 07 | 807-03 | | 203 | | | | | |



| Pos | Part Number | Name | Remarks | Qty | Model |
|-------|----------------|--|---------|-----|----------------------|
| 1 | 997 551 619 01 | lining door sill | | | |
| | | support door sill | /L | 1 | |
| (1) | 997 551 620 01 | support door sill | /R | 1 | |
| 2 | 900 143 082 02 | tapping screw ST 6,3 X 13 for mount support door sill | | 4 | |
| 3 | 999 076 081 40 | plastic nut T5 16 X 11,2 for mount support door sill | | 2 | |
| 4 | 996 551 873 00 | locating peg for mount support door sill | | 2 | |
| 5 | 997 551 019 04 | lining door sill driver's side | /LL | 1 | COUPE/CABRIO I098 |
| | A03 | black | | | |
| (5) | 997 551 019 05 | lining door sill driver's side | /RL | 1 | COUPE/CABRIO I099 |
| | A03 | black | | | |
| (5) N | 997 551 019 06 | lining door sill driver's side | /LL 07- | 1 | TARGA/I098 |
| | A03 | black | | | |
| (5) N | 997 551 019 07 | lining door sill driver's side | /RL 07- | 1 | TARGA/I099 |
| | A03 | black | | | |

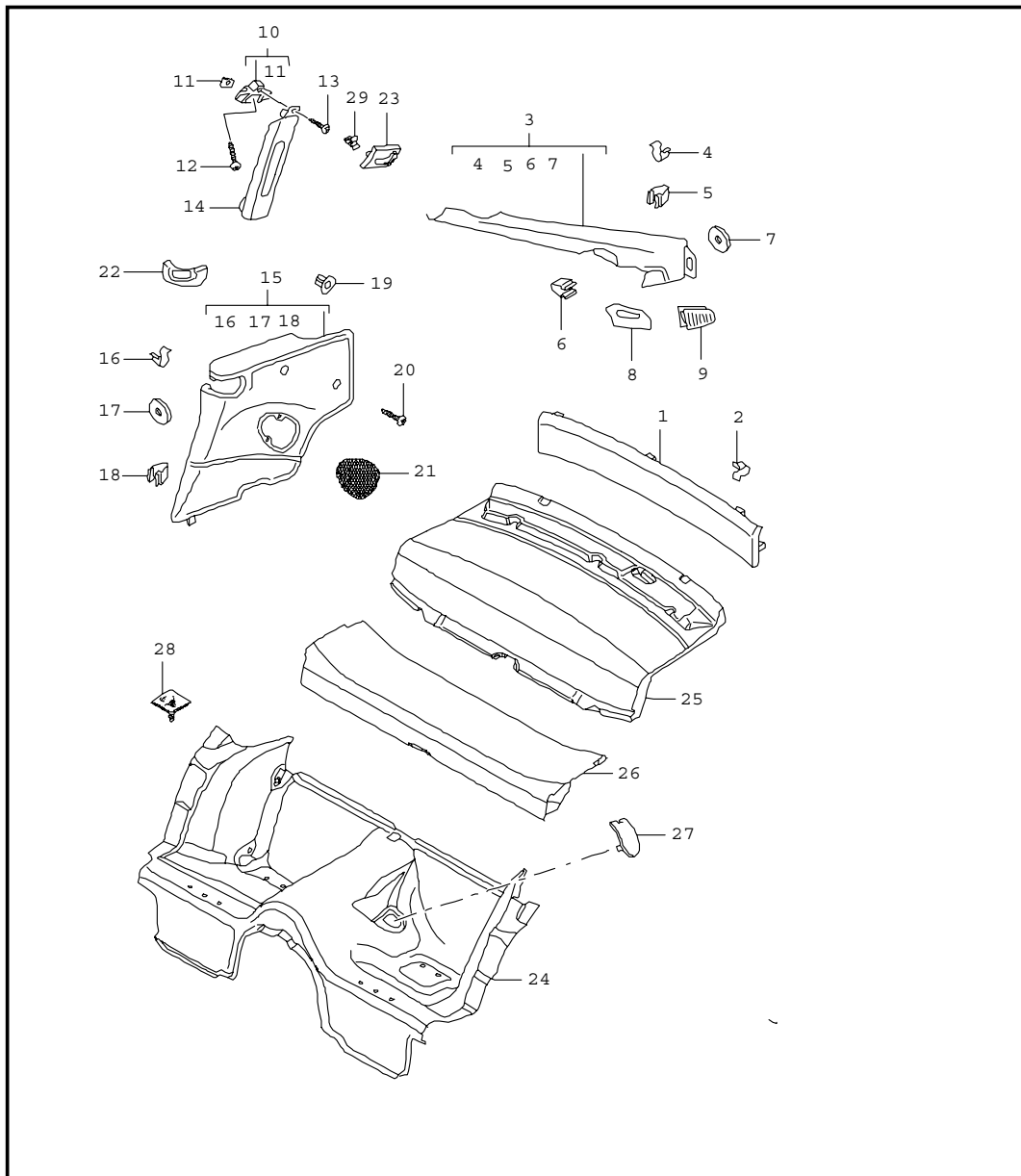
| | | | | | | | | | | | |
|-------|------|----|----|--------------|--------------|--------|------|------------|---------|-----|---------|
| Model | Year | MG | SG | Illustration | Restrictions | Update | | | | | |
| 997 | 07 | 8 | 07 | 807-03 | | 203 | 7:39 | 28.08.2006 | PORSCHE | PET | PORSCHE |

| Pos | Part Number | Name | Remarks | Qty | Model | Pos | Part Number | Name | Remarks | Qty | Model |
|-------|----------------|--|---------|-----|----------------------|-------|----------------|--|---------|-----|------------|
| 5 | 997 551 982 00 | lining door sill driver's side leather A11 black 5X6 stone grey 8G2 sand beige 3S9 sea blue 4P2 palmgreen 9S5 terracotta 9V6 cocoa D12 dark grey/natural T12 brown/natural | /LL | 1 | COUPE/CABRIO IXTG | | 3S9 | sea blue | | | |
| | | | | | | | 4P2 | palmgreen | | | |
| | | | | | | | 9S5 | terracotta | | | |
| | | | | | | | 9V6 | cocoa | | | |
| | | | | | | | D12 | dark grey/natural | | | |
| | | | | | | | T12 | brown/natural | | | |
| (5) | 997 551 982 01 | lining door sill driver's side leather A11 black 5X6 stone grey 8G2 sand beige 3S9 sea blue 4P2 palmgreen 9S5 terracotta 9V6 cocoa D12 dark grey/natural T12 brown/natural | /RL | 1 | COUPE/CABRIO IXTG | (5) N | 997 551 982 03 | lining door sill driver's side leather A11 black 5X6 stone grey 8G2 sand beige 3S9 sea blue 4P2 palmgreen 9S5 terracotta 9V6 cocoa D12 dark grey/natural T12 brown/natural | /RL 07- | 1 | TARGA/IXTG |
| | | | | | | 6 | 999 507 484 40 | expander nut 9 X 22 | | 6 | |
| | | | | | | 7 | 999 067 046 09 | screw M 6 X 20 | | 2 | |
| | | | | | | 8 | 999 703 443 40 | plug 8,0 X 11 | | 2 | |
| | | | | | | | 01C | satin black | | | |
| (5) N | 997 551 982 02 | lining door sill driver's side leather A11 black 5X6 stone grey 8G2 sand beige | /LL 07- | 1 | TARGA/IXTG | 9 | 997 551 120 01 | lining door sill passenger's side A03 black | | 1 | |
| | | | | | | (9) | 997 551 983 00 | lining door sill passenger's side leather A11 black | | 1 | IXTG |

| | | | | | | | | | | | | |
|-------|------|----|----|--------------|--------------|--------|------|------------|---------|-----|---------|--|
| Model | Year | MG | SG | Illustration | Restrictions | Update | | | | | | |
| 997 | 07 | 8 | 07 | 807-03 | | 203 | 7:39 | 28.08.2006 | PORSCHE | PET | PORSCHE | |

| Pos | Part Number | Name | Remarks | Qty | Model | Pos | Part Number | Name | Remarks | Qty | Model |
|--------|----------------|-----------------------------|---------|-----|------------|-----|-------------|-------------------|---------|-----|-------|
| | 5X6 | stone grey | | | | | | scuff plate | | 1 | |
| | 8G2 | sand beige | | | | | | exclusive | | 1 | |
| | 3S9 | sea blue | | | | | | see catalogue | | | |
| | 4P2 | palmgreen | | | | | | tequipment | | | |
| | 9S5 | terracotta | | | | | | 8/07/06 | | | |
| | 9V6 | cocoa | | | | | | - - - E N D - - - | | | |
| | D12 | dark grey/natural | | | | | | | | | |
| | T12 | brown/natural | | | | | | | | | |
| 10 | 999 507 484 40 | expander nut 9 X 22 | | 6 | | | | | | | |
| 11 | 999 919 164 09 | oval-head screw 5,0 X 12 | | 1 | | | | | | | |
| 12 | 996 551 513 00 | mat | | 1 | | | | | | | |
| 13 | 997 551 303 07 | scuff plate lacquered | | 2 | CARRERA | | | | | | |
| | A03 | black | | | | | | | | | |
| (13) | 997 551 303 08 | scuff plate lacquered | | 2 | CARRERA S | | | | | | |
| | A03 | black | | | | | | | | | |
| (13) | 997 551 303 02 | scuff plate lacquered | 06- | 2 | CARRERA 4 | | | | | | |
| | A03 | black | | | | | | | | | |
| (13) N | 997 551 303 10 | scuff plate lacquered | 06- | 2 | CARRERA 4S | | | | | | |
| | A03 | black | | | | | | | | | |
| (13) N | 997 551 303 12 | scuff plate lacquered | 07- | 2 | TARGA_4 | | | | | | |
| | A03 | black | | | | | | | | | |
| (13) N | 997 551 303 13 | scuff plate lacquered | 07- | 2 | TARGA_4S | | | | | | |
| | A03 | black | | | | | | | | | |

| | | | | | | | | | | | |
|-------|------|----|----|--------------|--------------|--------|------|------------|---------|-----|---------|
| Model | Year | MG | SG | Illustration | Restrictions | Update | 7:40 | 28.08.2006 | PORSCHE | PET | PORSCHE |
| 997 | 07 | 8 | 07 | 807-05 | | 203 | | | | | |



| Pos | Part Number | Name | Remarks | Qty | Model |
|-----|----------------|---|---------|-----|---------------|
| 1 | 997 555 081 00 | linings rear lining rear wall carpet | | 1 | COUPE I426 |
| | A10 | black | | | |
| | B10 | stone grey | | | |
| | T10 | sand beige | | | |
| | E10 | sea blue | | | |
| | J10 | palmgreen | | | |
| | M10 | terracotta | | | |
| | R10 | cocoa | | | |
| | D11 | dark grey/natural | | | |
| | T11 | brown/natural | | | |
| (1) | 997 555 081 01 | linings rear wall carpet | | 1 | I425 |
| | A10 | black | | | |
| | B10 | stone grey | | | |
| | T10 | sand beige | | | |
| | E10 | sea blue | | | |
| | J10 | palmgreen | | | |
| | M10 | terracotta | | | |
| | R10 | cocoa | | | |
| | D11 | dark grey/natural | | | |
| | T11 | brown/natural | | | |
| 2 | 999 507 687 05 | fixing clip 11,3 | | 5 | |
| 3 | 997 555 187 00 | lining c-pillar leatherette | /L | 1 | |
| | 1MZ | black | | | |
| | 1YP | stone grey | | | |

| | | | | | | | | | | | |
|-------|------|----|----|--------------|--------------|--------|------|------------|---------|-----|---------|
| Model | Year | MG | SG | Illustration | Restrictions | Update | 7:40 | 28.08.2006 | PORSCHE | PET | PORSCHE |
| 997 | 07 | 8 | 07 | 807-05 | | 203 | | | | | |

| Pos | Part Number | Name | Remarks | Qty | Model | Pos | Part Number | Name | Remarks | Qty | Model | |
|-----------------------|--|-----------------------------|----------------|-----|-------|-----|--|------|---------|-----|-------|-------------------------|
| (3) | 997 555 188 00 | 1TK sand beige | /R | 1 | | 4 | 9V6 cocoa | | | | | |
| | | 1VM sea blue | | | | | D12 dark grey/natural | | | | | |
| | | 1UL palmgreen | | | | | T12 brown/natural | | | | | |
| | | lining c-pillar leatherette | | | | | 4 999 507 533 02 clamp 8,0 X10,0/2,5 | | | | | 4 |
| | | 1MZ black | | | | | 5 999 507 479 09 clamp 2,5/09 | | | | | 6 |
| | | 1YP stone grey | | | | | (5) 999 507 676 09 clamp 2,5/2,2 | | | | | 1 |
| | | 1TK sand beige | | | | | 6 999 651 307 02 cable clamp 18,0 | | | | | 2 |
| | | 1VM sea blue | | | | | 7 999 551 609 40 plastic washer 8,0 X 23 X 3,0 | | | | | 7 |
| | | 1UL palmgreen | | | | | 8 996 555 545 01 rose seat belt rear lacquered | | | | | 1 |
| | | 3 | | | | | 997 555 187 01 | | | | | lining c-pillar leather |
| A11 black | 5V7 stone grey | | | | | | | | | | | |
| 5X6 stone grey | 5Z1 sand beige | | | | | | | | | | | |
| 8G2 sand beige | 8W7 sea blue | | | | | | | | | | | |
| 3S9 sea blue | 5Y2 palmgreen | | | | | | | | | | | |
| 4P2 palmgreen | 8X8 terracotta | | | | | | | | | | | |
| 9S5 terracotta | 8P9 cocoa | | | | | | | | | | | |
| 9V6 cocoa | T13 brown/natural | | | | | | | | | | | |
| D12 dark grey/natural | (8) 996 555 546 01 rose seat belt rear lacquered | | 1 | | | | | | | | | |
| T12 brown/natural | A03 black | | | | | | | | | | | |
| (3) | 997 555 188 01 | lining c-pillar leather | /R | 1 | I981 | 8 | 5V7 stone grey | | | | | |
| | | A11 black | 5Z1 sand beige | | | | | | | | | |
| | | 5X6 stone grey | 8W7 sea blue | | | | | | | | | |
| | | 8G2 sand beige | 5Y2 palmgreen | | | | | | | | | |
| | | 3S9 sea blue | 8X8 terracotta | | | | | | | | | |
| | | 4P2 palmgreen | | | | | | | | | | |
| | | 9S5 terracotta | | | | | | | | | | |
| | | | | | | | | | | | | |
| | | | | | | | | | | | | |
| | | | | | | | | | | | | |
| | | | | | | | | | | | | |

| | | | | | | | | | | | |
|-------|------|----|----|--------------|--------------|--------|------|------------|---------|-----|---------|
| Model | Year | MG | SG | Illustration | Restrictions | Update | 7:40 | 28.08.2006 | PORSCHE | PET | PORSCHE |
| 997 | 07 | 8 | 07 | 807-05 | | 203 | | | | | |

| Pos | Part Number | Name | Remarks | Qty | Model | Pos | Part Number | Name | Remarks | Qty | Model |
|------|----------------|---------------------------------|---------|-----|-------|------|----------------|-----------------------------------|---------|-----|-------|
| | 8P9 | cocoa | | | | 14 | 997 555 183 00 | lining b-pillar leatherette | /L | 1 | |
| | T13 | brown/natural | | | | | 1MZ | black | | | |
| 9 | 996 555 645 00 | grille bleeding lacquered | /L | 1 | | | 1YP | stone grey | | | |
| | A03 | black | | | | | 1TK | sand beige | | | |
| | 5V7 | stone grey | | | | | 1VM | sea blue | | | |
| | 5Z1 | sand beige | | | | | 1UL | palmgreen | | | |
| | 8W7 | sea blue | | | | (14) | 997 555 184 00 | lining b-pillar leatherette | /R | 1 | |
| | 5Y2 | palmgreen | | | | | 1MZ | black | | | |
| | 8X8 | terracotta | | | | | 1YP | stone grey | | | |
| | 8P9 | cocoa | | | | | 1TK | sand beige | | | |
| | T13 | brown/natural | | | | | 1VM | sea blue | | | |
| (9) | 996 555 646 00 | grille bleeding lacquered | /L | 1 | | | 1UL | palmgreen | | | |
| | A03 | black | | | | 14 | 997 555 183 01 | lining b-pillar leather | /L | 1 | I981 |
| | 5V7 | stone grey | | | | | A11 | black | | | |
| | 5Z1 | sand beige | | | | | 5X6 | stone grey | | | |
| | 8W7 | sea blue | | | | | 8G2 | sand beige | | | |
| | 5Y2 | palmgreen | | | | | 3S9 | sea blue | | | |
| | 8X8 | terracotta | | | | | 4P2 | palmgreen | | | |
| | 8P9 | cocoa | | | | | 9S5 | terracotta | | | |
| | T13 | brown/natural | | | | | 9V6 | cocoa | | | |
| 10 | 996 555 821 02 | bracket coat hook | /L | 1 | | | D12 | dark grey/natural | | | |
| (10) | 996 555 822 02 | bracket coat hook | /R | 1 | | | T12 | brown/natural | | | |
| 11 | 999 507 695 02 | speed nut ST 4,8 | | 2 | | (14) | 997 555 184 01 | lining b-pillar leather | /R | 1 | I981 |
| 12 | 999 073 130 02 | oval-head screw M 6 X 16 | | 2 | | | A11 | black | | | |
| 13 | 999 073 060 02 | tapping screw 4,8 X 13 | | 2 | | | 5X6 | stone grey | | | |

| | | | | | | | | | | | |
|-------|------|----|----|--------------|--------------|--------|------|------------|---------|-----|---------|
| Model | Year | MG | SG | Illustration | Restrictions | Update | 7:40 | 28.08.2006 | PORSCHE | PET | PORSCHE |
| 997 | 07 | 8 | 07 | 807-05 | | 203 | | | | | |

| Pos | Part Number | Name | Remarks | Qty | Model | Pos | Part Number | Name | Remarks | Qty | Model |
|------|----------------|--------------------------------|---------|-----|-------|------|----------------|----------------------------------|---------|-----|-------|
| | 8G2 | sand beige | | | | | FSG | cocoa/cocoa | | | |
| | 3S9 | sea blue | | | | | FSH | darkgrey natural/grey | | | |
| | 4P2 | palmgreen | | | | | FSJ | brown nat./brown nat. | | | |
| | 9S5 | terracotta | | | | (15) | 997 555 072 01 | side trim panel leather | /R | 1 | I981 |
| | 9V6 | cocoa | | | | | FSA | black/grey | | | |
| | D12 | dark grey/natural | | | | | FSB | stone grey/stone grey | | | |
| | T12 | brown/natural | | | | | FSC | sand beige/sand beige | | | |
| -- | 996 555 859 00 | grommet b-pillar | | 2 | | | FSD | seeblue/grey | | | |
| 15 | 997 555 071 00 | side trim panel leatherette | /L | 1 | | | FSE | palm-green/palm-green | | | |
| | 1MZ | black | | | | | FSF | terrakotta/terrakotta | | | |
| | 1YP | stone grey | | | | | FSG | cocoa/cocoa | | | |
| | 1TK | sand beige | | | | | FSH | darkgrey natural/grey | | | |
| | 1VM | sea blue | | | | | FSJ | brown nat./brown nat. | | | |
| | 1UL | palmgreen | | | | 15 | 997 555 071 06 | side trim panel bicolor | /L 06- | 1 | I970 |
| (15) | 997 555 072 00 | side trim panel leatherette | /R | 1 | | | BCG | black/stone grey | | | |
| | 1MZ | black | | | | | BCH | black/sand beige | | | |
| | 1YP | stone grey | | | | | BCJ | black/terracotta | | | |
| | 1TK | sand beige | | | | (15) | 997 555 072 06 | side trim panel bicolor | /R 06- | 1 | I970 |
| | 1VM | sea blue | | | | | BCG | black/stone grey | | | |
| | 1UL | palmgreen | | | | | BCH | black/sand beige | | | |
| 15 | 997 555 071 01 | side trim panel leather | /L | 1 | I981 | | BCJ | black/terracotta | | | |
| | FSA | black/grey | | | | 16 | 999 507 676 09 | clamp 2,5/2,2 | | 2 | |
| | FSB | stone grey/stone grey | | | | 17 | 999 551 609 40 | plastic washer 8,0 X 23 X 3,0 | | 2 | |
| | FSC | sand beige/sand beige | | | | 18 | 999 507 533 02 | clamp 8.0 X 10 /2,5 | | 1 | |
| | FSD | seeblue/grey | | | | 19 | 999 507 050 40 | expander nut ST 4,2 | | 2 | |
| | FSE | palm-green/palm-green | | | | | | | | | |
| | FSF | terrakotta/terrakotta | | | | | | | | | |

| | | | | | | | | | | | |
|-------|------|----|----|--------------|--------------|--------|------|------------|---------|-----|---------|
| Model | Year | MG | SG | Illustration | Restrictions | Update | 7:40 | 28.08.2006 | PORSCHE | PET | PORSCHE |
| 997 | 07 | 8 | 07 | 807-05 | | 203 | | | | | |

| Pos | Part Number | Name | Remarks | Qty | Model | Pos | Part Number | Name | Remarks | Qty | Model |
|------|----------------|--|---------|-----|-------|------|----------------|--------------------------------|---------|-----|-------|
| 20 | 999 073 142 09 | tapping screw ST 4,2 X 19 | | 2 | | | 8P9 | cocoa | | | |
| 21 | 997 555 049 00 | loudspeaker grille side trim panel lacquered | /L | 1 | | (22) | T13 | brown/natural | | | |
| | A03 | black | | | | | 997 555 062 00 | rose seat belt lacquered | /R | 1 | |
| | 5V7 | stone grey | | | | | A03 | black | | | |
| | 5Z1 | sand beige | | | | | 5V7 | stone grey | | | |
| | 8W7 | sea blue | | | | | 5Z1 | sand beige | | | |
| | 5Y2 | palmgreen | | | | | 8W7 | sea blue | | | |
| | 8X8 | terracotta | | | | | 5Y2 | palmgreen | | | |
| | 8P9 | cocoa | | | | | 8X8 | terracotta | | | |
| | T13 | brown/natural | | | | | 8P9 | cocoa | | | |
| (21) | 997 555 050 00 | loudspeaker grille side trim panel lacquered | /R | 1 | | 23 | T13 | brown/natural | | | |
| | A03 | black | | | | | 997 555 573 00 | coat hook lacquered | /L | 1 | |
| | 5V7 | stone grey | | | | | A03 | black | | | |
| | 5Z1 | sand beige | | | | | 5V7 | stone grey | | | |
| | 8W7 | sea blue | | | | | 5Z1 | sand beige | | | |
| | 5Y2 | palmgreen | | | | | 8W7 | sea blue | | | |
| | 8X8 | terracotta | | | | | 5Y2 | palmgreen | | | |
| | 8P9 | cocoa | | | | | 8X8 | terracotta | | | |
| | T13 | brown/natural | | | | | 8P9 | cocoa | | | |
| | | | | | | | T13 | brown/natural | | | |
| 22 | 997 555 061 00 | rose seat belt lacquered | /L | 1 | | (23) | 997 555 574 00 | coat hook lacquered | /R | 1 | |
| | A03 | black | | | | | A03 | black | | | |
| | 5V7 | stone grey | | | | | 5V7 | stone grey | | | |
| | 5Z1 | sand beige | | | | | 5Z1 | sand beige | | | |
| | 8W7 | sea blue | | | | | 8W7 | sea blue | | | |
| | 5Y2 | palmgreen | | | | | 5Y2 | palmgreen | | | |
| | 8X8 | terracotta | | | | | 8X8 | terracotta | | | |

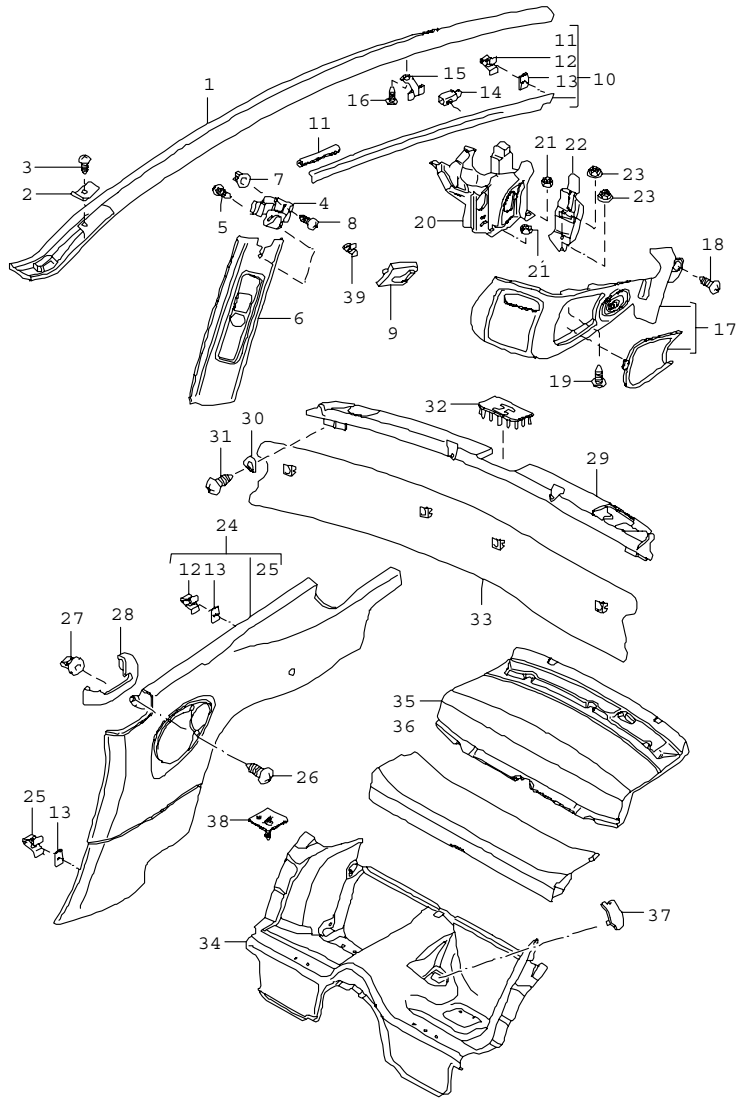
| | | | | | | | | | | | |
|-------|------|----|----|--------------|--------------|--------|------|------------|---------|-----|---------|
| Model | Year | MG | SG | Illustration | Restrictions | Update | | | | | |
| 997 | 07 | 8 | 07 | 807-05 | | 203 | 7:40 | 28.08.2006 | PORSCHE | PET | PORSCHE |

| Pos | Part Number | Name | Remarks | Qty | Model | Pos | Part Number | Name | Remarks | Qty | Model |
|------|----------------|--|---------|-----|----------|------|----------------|--|---------|-----|----------|
| | 8P9 | cocoa | | | | | E10 | sea blue | | | |
| | T13 | brown/natural | | | | | J10 | palmgreen | | | |
| 24 | 997 551 017 00 | adhesive carpet seat well carpet | | 1 | | | M10 | terracotta | | | |
| | A10 | black | | | | | R10 | cocoa | | | |
| | B10 | stone grey | | | | | D11 | dark grey/natural | | | |
| | T10 | sand beige | | | | (25) | 997 551 031 06 | adhesive carpet rear wall carpet | | 1 | I680 |
| | E10 | sea blue | | | | | A10 | black | | | |
| | J10 | palmgreen | | | | | B10 | stone grey | | | |
| | M10 | terracotta | | | | | T10 | sand beige | | | |
| | R10 | cocoa | | | | | E10 | sea blue | | | |
| | D11 | dark grey/natural | | | | | J10 | palmgreen | | | |
| (25) | 997 551 031 00 | adhesive carpet rear wall carpet | | 1 | I490 | | M10 | terracotta | | | |
| | A10 | black | | | | | R10 | cocoa | | | |
| | B10 | stone grey | | | | | D11 | dark grey/natural | | | |
| | T10 | sand beige | | | | (25) | 997 551 031 07 | adhesive carpet rear wall carpet | | 1 | I479/680 |
| | E10 | sea blue | | | | | A10 | black | | | |
| | J10 | palmgreen | | | | | B10 | stone grey | | | |
| | M10 | terracotta | | | | | T10 | sand beige | | | |
| | R10 | cocoa | | | | | E10 | sea blue | | | |
| | D11 | dark grey/natural | | | | | J10 | palmgreen | | | |
| (25) | 997 551 031 01 | adhesive carpet rear wall carpet | | 1 | I479/490 | | M10 | terracotta | | | |
| | A10 | black | | | | | R10 | cocoa | | | |
| | B10 | stone grey | | | | | D11 | dark grey/natural | | | |
| | T10 | sand beige | | | | -- | 996 551 561 00 | desk pad | | 1 | I680 |

| | | | | | | | | | | | |
|-------|------|----|----|--------------|--------------|--------|------|------------|---------|-----|---------|
| Model | Year | MG | SG | Illustration | Restrictions | Update | 7:40 | 28.08.2006 | PORSCHE | PET | PORSCHE |
| 997 | 07 | 8 | 07 | 807-05 | | 203 | | | | | |

| Pos | Part Number | Name | Remarks | Qty | Model | Pos | Part Number | Name | Remarks | Qty | Model |
|------|----------------|-----------------------------------|---------|-----|-------|------|----------------|---|---------|-----|-------|
| 26 | 997 551 033 00 | lining control units carpet | | 1 | | (27) | 997 551 526 00 | cover seat-belt buckle | /R 06- | 1 | |
| | A10 | black | | | | | 01C | black | | | |
| | B10 | stone grey | | | | 29 | 999 507 476 01 | clamp 8,0 x 10 / 2,5 mount coat hook | | 2 | |
| | T10 | sand beige | | | | | | | | | |
| | E10 | sea blue | | | | | | | | | |
| | J10 | palmgreen | | | | | | | | | |
| | M10 | terracotta | | | | | | | | | |
| | R10 | cocoa | | | | | | | | | |
| | D11 | dark grey/natural | | | | | | | | | |
| | T11 | brown/natural | | | | | | | | | |
| (26) | 997 551 033 01 | lining control units carpet | | 1 | I680 | | | | | | |
| | A10 | black | | | | | | | | | |
| | B10 | stone grey | | | | | | | | | |
| | T10 | sand beige | | | | | | | | | |
| | E10 | sea blue | | | | | | | | | |
| | J10 | palmgreen | | | | | | | | | |
| | M10 | terracotta | | | | | | | | | |
| | R10 | cocoa | | | | | | | | | |
| | D11 | dark grey/natural | | | | | | | | | |
| | T11 | brown/natural | | | | | | | | | |
| 27 | 996 551 525 00 | cover seat-belt buckle | /L 05 | 1 | | | | | | | |
| | 01C | black | | | | | | | | | |
| 27 | 997 551 525 00 | cover seat-belt buckle | /L 06- | 1 | | | | | | | |
| | 01C | black | | | | | | | | | |
| (27) | 996 551 526 00 | cover seat-belt buckle | /R 05 | 1 | | | | | | | |
| | 01C | black | | | | | | | | | |

| | | | | | | | | | | | |
|-------|------|----|----|--------------|--------------|--------|------|------------|---------|-----|---------|
| Model | Year | MG | SG | Illustration | Restrictions | Update | 7:40 | 28.08.2006 | PORSCHE | PET | PORSCHE |
| 997 | 07 | 8 | 07 | 807-06 | | 203 | | | | | |



| Pos | Part Number | Name | Remarks | Qty | Model |
|-----|------------------|--------------------------------|---------|-----|-------|
| | | linings rear | | | TARGA |
| (1) | N 997 555 195 00 | lining roof pillar leatherette | /L | 1 | |
| | 5Q2 | black | | | |
| | 8X4 | stone grey | | | |
| | 5S4 | sand beige | | | |
| | 8W3 | sea blue | | | |
| | 5Y5 | palmgreen | | | |
| 1 | N 997 555 196 00 | lining roof pillar leatherette | /R | 1 | |
| | 5Q2 | black | | | |
| | 8X4 | stone grey | | | |
| | 5S4 | sand beige | | | |
| | 8W3 | sea blue | | | |
| | 5Y5 | palmgreen | | | |
| (1) | N 997 555 195 01 | lining roof pillar leather | /L | 1 | I981 |
| | A11 | black | | | |
| | 5X6 | stone grey | | | |
| | 8G2 | sand beige | | | |
| | 3S9 | sea blue | | | |
| | 4P2 | palmgreen | | | |
| | 9S5 | terracotta | | | |
| | 9V6 | cocoa | | | |
| | D12 | dark grey/natural | | | |
| | T12 | brown/natural | | | |
| 1 | N 997 555 196 01 | lining roof pillar leather | /R | 1 | I981 |
| | A11 | black | | | |

| | | | | | | | | | | | |
|-------|------|----|----|--------------|--------------|--------|------|------------|---------|-----|---------|
| Model | Year | MG | SG | Illustration | Restrictions | Update | 7:40 | 28.08.2006 | PORSCHE | PET | PORSCHE |
| 997 | 07 | 8 | 07 | 807-06 | | 203 | | | | | |

| Pos | Part Number | Name | Remarks | Qty | Model | Pos | Part Number | Name | Remarks | Qty | Model |
|-----|------------------|-----------------------------|---------|-----|-------|-------|----------------|-----------------------------------|---------|-----|-------|
| | 5X6 | stone grey | | | | (6) N | 997 555 183 02 | lining b-pillar leatherette | /L | 1 | |
| | 8G2 | sand beige | | | | | 1MZ | black | | | |
| | 3S9 | sea blue | | | | | 1YP | stone grey | | | |
| | 4P2 | palmgreen | | | | | 1TK | sand beige | | | |
| | 9S5 | terracotta | | | | | 1VM | sea blue | | | |
| | 9V6 | cocoa | | | | | 1UL | palmgreen | | | |
| | D12 | dark grey/natural | | | | 6 N | 997 555 184 02 | lining b-pillar leatherette | /R | 1 | |
| | T12 | brown/natural | | | | | 1MZ | black | | | |
| - | P 996 555 887 00 | pipng | | 2 | | | 1YP | stone grey | | | |
| (2) | P 996 555 879 00 | cover | /L | 1 | | | 1TK | sand beige | | | |
| | 01C | satin black | | | | | 1VM | sea blue | | | |
| 2 | P 996 555 880 00 | cover | /R | 1 | | | 1UL | palmgreen | | | |
| | 01C | satin black | | | | (6) N | 997 555 183 03 | lining b-pillar leather | /L | 1 | I981 |
| 3 | P 999 073 218 09 | tapping screw 4,2 X 16 | | 2 | | | A11 | black | | | |
| (4) | N 997 555 573 01 | coat hook lacquered | /L | 1 | | | 5X6 | stone grey | | | |
| | A03 | black | | | | | 8G2 | sand beige | | | |
| | 5V7 | stone grey | | | | | 3S9 | sea blue | | | |
| | 5Z1 | sand beige | | | | | 4P2 | palmgreen | | | |
| | 8W7 | sea blue | | | | | 9S5 | terracotta | | | |
| | 5Y2 | palmgreen | | | | | 9V6 | cocoa | | | |
| 4 | N 997 555 574 01 | coat hook lacquered | /R | 1 | | | D12 | dark grey/natural | | | |
| | A03 | black | | | | | T12 | brown/natural | | | |
| | 5V7 | stone grey | | | | 6 N | 997 555 184 03 | lining b-pillar leather | /R | 1 | I981 |
| | 5Z1 | sand beige | | | | | A11 | black | | | |
| | 8W7 | sea blue | | | | | 5X6 | stone grey | | | |
| | 5Y2 | palmgreen | | | | | | | | | |
| 5 | P 999 919 164 09 | oval-head screw 5,0 X 12 | | 2 | | | | | | | |

| | | | | | | | | | | | |
|-------|------|----|----|--------------|--------------|--------|------|------------|---------|-----|---------|
| Model | Year | MG | SG | Illustration | Restrictions | Update | 7:40 | 28.08.2006 | PORSCHE | PET | PORSCHE |
| 997 | 07 | 8 | 07 | 807-06 | | 203 | | | | | |

| Pos | Part Number | Name | Remarks | Qty | Model | Pos | Part Number | Name | Remarks | Qty | Model |
|-----|------------------|---------------------------|---------|-----|-------|--------|------------------|-----------------------------------|---------|-----|-------|
| | 8G2 | sand beige | | | | | T13 | brown/natural | | | |
| | 3S9 | sea blue | | | | (10) N | 997 555 187 02 | lining c-pillar leatherette | /L | 1 | |
| | 4P2 | palmgreen | | | | | 1MZ | black | | | |
| | 9S5 | terracotta | | | | | 1YP | stone grey | | | |
| | 9V6 | cocoa | | | | | 1TK | sand beige | | | |
| | D12 | dark grey/natural | | | | | 1VM | sea blue | | | |
| | T12 | brown/natural | | | | | 1UL | palmgreen | | | |
| -- | P 996 555 859 00 | grommet b-pillar | | 2 | | | | | | | |
| 7 | P 999 507 755 40 | expander nut | | 2 | | 10 | N 997 555 188 02 | lining c-pillar leatherette | /R | 1 | |
| 8 | P 999 073 064 02 | tapping screw 4,8 X 25 | | 2 | | | 1MZ | black | | | |
| 9 | N 997 555 773 00 | cover coat hook | /L | 1 | | | 1YP | stone grey | | | |
| | A03 | black | | | | | 1TK | sand beige | | | |
| | 5V7 | stone grey | | | | | 1VM | sea blue | | | |
| | 5Z1 | sand beige | | | | | 1UL | palmgreen | | | |
| | 8W7 | sea blue | | | | (10) N | 997 555 187 03 | lining c-pillar leather | /L | 1 | I981 |
| | 5Y2 | palmgreen | | | | | A11 | black | | | |
| | 8X8 | terracotta | | | | | 5X6 | stone grey | | | |
| | 8P9 | cocoa | | | | | 8G2 | sand beige | | | |
| | T13 | brown/natural | | | | | 3S9 | sea blue | | | |
| (9) | N 997 555 774 00 | cover coat hook | /R | 1 | | | 4P2 | palmgreen | | | |
| | A03 | black | | | | | 9S5 | terracotta | | | |
| | 5V7 | stone grey | | | | | 9V6 | cocoa | | | |
| | 5Z1 | sand beige | | | | | D12 | dark grey/natural | | | |
| | 8W7 | sea blue | | | | | T12 | brown/natural | | | |
| | 5Y2 | palmgreen | | | | 10 | N 997 555 188 03 | lining c-pillar leather | /R | 1 | I981 |
| | 8X8 | terracotta | | | | | A11 | black | | | |
| | 8P9 | cocoa | | | | | | | | | |

| | | | | | | | | | | | |
|-------|------|----|----|--------------|--------------|--------|------|------------|---------|-----|---------|
| Model | Year | MG | SG | Illustration | Restrictions | Update | 7:40 | 28.08.2006 | PORSCHE | PET | PORSCHE |
| 997 | 07 | 8 | 07 | 807-06 | | 203 | | | | | |

| Pos | Part Number | Name | Remarks | Qty | Model | Pos | Part Number | Name | Remarks | Qty | Model |
|------|------------------|---------------------------------|---------|-----|-------|------|------------------|--------------------------------|---------|-----|-------|
| | 5X6 | stone grey | | | | | 5V7 | stone grey | | | |
| | 8G2 | sand beige | | | | | 5Z1 | sand beige | | | |
| | 3S9 | sea blue | | | | | 8W7 | sea blue | | | |
| | 4P2 | palmgreen | | | | | 5Y2 | palmgreen | | | |
| | 9S5 | terracotta | | | | | 8X8 | terracotta | | | |
| | 9V6 | cocoa | | | | | 8P9 | cocoa | | | |
| | D12 | dark grey/natural | | | | | T13 | brown/natural | | | |
| | T12 | brown/natural | | | | -- | P 996 555 877 00 | clamp | | 2 | |
| 11 | N 999 911 441 40 | tread 1,0 X 12 | | 4 | | 18 | P 999 073 251 09 | tapping screw 4,2 X 25 | | 2 | |
| 12 | P 999 507 681 09 | clamp 2,5/3,0 | | 3 | | 19 | P 999 073 226 09 | tapping screw 4,2 X 16 | | 2 | |
| 13 | P 999 209 084 40 | spacer 20 X 25 X 0,5 | | X | | (20) | P 996 555 175 01 | support | /L | 1 | |
| 14 | P 996 555 581 00 | mounting clip | | 10 | | 20 | P 996 555 176 01 | support | /R | 1 | |
| 15 | P 996 555 875 00 | clamp | | 4 | | 21 | P 999 084 629 09 | hexagon nut M 6 | | 4 | |
| 16 | P 999 073 218 09 | tapping screw 4,2 X 16 | | 4 | | (22) | P 996 555 503 00 | support | /L | 1 | |
| (17) | P 996 555 245 01 | cover seat belt lacquered | /L | 1 | | 22 | P 996 555 504 00 | support | /R | 1 | |
| | A03 | black | | | | 23 | P 999 049 028 40 | plastic nut | | 4 | |
| | 5V7 | stone grey | | | | (24) | N 997 555 071 04 | side trim panel leatherette | /L | 1 | |
| | 5Z1 | sand beige | | | | | 1MZ | black | | | |
| | 8W7 | sea blue | | | | | 1YP | stone grey | | | |
| | 5Y2 | palmgreen | | | | | 1TK | sand beige | | | |
| | 8X8 | terracotta | | | | | 1VM | sea blue | | | |
| | 8P9 | cocoa | | | | | 1UL | palmgreen | | | |
| | T13 | brown/natural | | | | 24 | N 997 555 072 04 | side trim panel leatherette | /R | 1 | |
| 17 | P 996 555 246 01 | cover seat belt lacquered | /R | 1 | | | 1MZ | black | | | |
| | A03 | black | | | | | 1YP | stone grey | | | |
| | | | | | | | 1TK | sand beige | | | |
| | | | | | | | 1VM | sea blue | | | |

| | | | | | | | | | | | |
|-------|------|----|----|--------------|--------------|--------|------|------------|---------|-----|---------|
| Model | Year | MG | SG | Illustration | Restrictions | Update | 7:40 | 28.08.2006 | PORSCHE | PET | PORSCHE |
| 997 | 07 | 8 | 07 | 807-06 | | 203 | | | | | |

| Pos | Part Number | Name | Remarks | Qty | Model | Pos | Part Number | Name | Remarks | Qty | Model |
|------|------------------|-------------------------|---------|-----|-------|------|------------------|--------------------------------|---------|-----|-------|
| | 1UL | palmgreen | | | | | BCH | black/sand beige | | | |
| (24) | N 997 555 071 05 | side trim panel leather | /L | 1 | I981 | | BCJ | black/terracotta | | | |
| | FSA | black | | | | 25 | P 999 507 479 09 | clamp 2,5 X 0,9 | | 1 | |
| | FSB | stone grey | | | | 26 | P 999 073 142 09 | tapping screw 4,2 X 19 | | 2 | |
| | FSC | sand beige | | | | 27 | P 999 507 050 40 | expander nut | | 2 | |
| | FSD | sea blue | | | | (28) | P 997 555 061 00 | rose seat belt lacquered | /L | 1 | |
| | FSE | palmgreen | | | | | A03 | black | | | |
| | FSF | terracotta | | | | | 5V7 | stone grey | | | |
| | FSG | cocoa | | | | | 5Z1 | sand beige | | | |
| | FSH | dark grey/natural | | | | | 8W7 | sea blue | | | |
| | FSJ | brown/natural | | | | | 5Y2 | palmgreen | | | |
| 24 | N 997 555 072 05 | side trim panel leather | /R | 1 | I981 | | 8X8 | terracotta | | | |
| | FSA | black | | | | | 8P9 | cocoa | | | |
| | FSB | stone grey | | | | | T13 | brown/natural | | | |
| | FSC | sand beige | | | | 28 | P 997 555 062 00 | rose seat belt lacquered | /R | 1 | |
| | FSD | sea blue | | | | | A03 | black | | | |
| | FSE | palmgreen | | | | | 5V7 | stone grey | | | |
| | FSF | terracotta | | | | | 5Z1 | sand beige | | | |
| | FSG | cocoa | | | | | 8W7 | sea blue | | | |
| | FSH | dark grey/natural | | | | | 5Y2 | palmgreen | | | |
| | FSJ | brown/natural | | | | | 8X8 | terracotta | | | |
| (24) | N 997 555 071 08 | side trim panel bicolor | /L | 1 | I970 | | 8P9 | cocoa | | | |
| | BCG | black/stone grey | | | | | T13 | brown/natural | | | |
| | BCH | black/sand beige | | | | 29 | P 996 555 151 00 | lining rear wall | | 1 | I426 |
| | BCJ | black/terracotta | | | | | A03 | black | | | |
| 24 | N 997 555 072 08 | side trim panel bicolor | /R | 1 | I970 | | | | | | |
| | BCG | black/stone grey | | | | | | | | | |

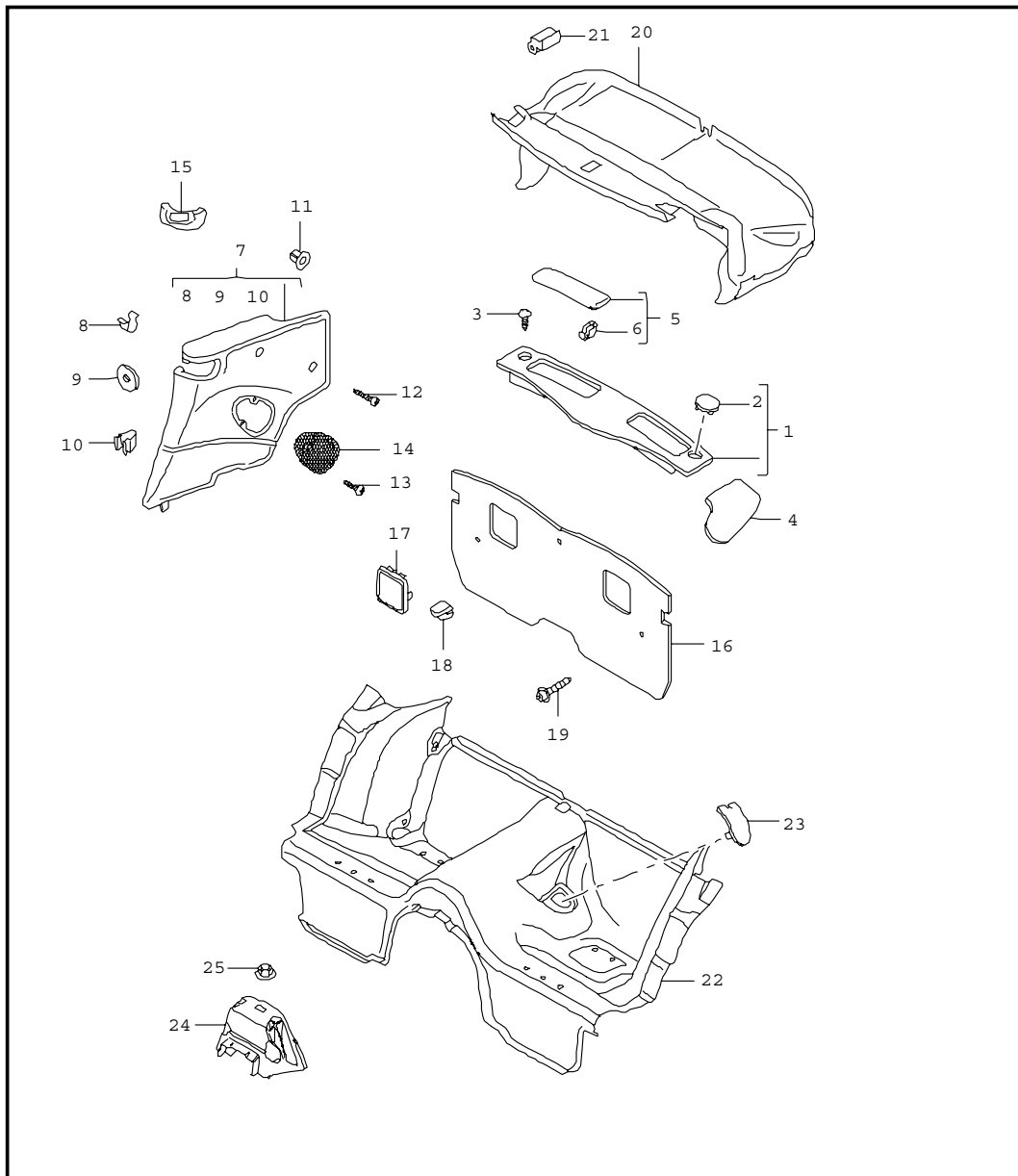
| | | | | | | | | | | | |
|-------|------|----|----|--------------|--------------|--------|------|------------|---------|-----|---------|
| Model | Year | MG | SG | Illustration | Restrictions | Update | 7:40 | 28.08.2006 | PORSCHE | PET | PORSCHE |
| 997 | 07 | 8 | 07 | 807-06 | | 203 | | | | | |

| Pos | Part Number | Name | Remarks | Qty | Model | Pos | Part Number | Name | Remarks | Qty | Model |
|------|------------------|----------------------------------|---------|-----|-------|------|------------------|----------------------------------|---------|-----|----------|
| (29) | P 996 555 151 01 | lining rear wall | | 1 | I425 | 35 | N 997 551 031 03 | adhesive carpet rear wall carpet | | 1 | |
| | A03 | black | | | | | A10 | black | | | |
| 30 | P 999 507 782 01 | spring washer 5,3 X 18 | | 2 | | | B10 | stone grey | | | |
| 31 | P 999 073 061 02 | tapping screw | | 4 | | | T10 | sand beige | | | |
| 32 | P 996 555 885 00 | rose rear wall upper part | | 1 | | | E10 | sea blue | | | |
| | | | | | | | J10 | palmgreen | | | |
| 33 | P 996 555 081 08 | lining rear wall carpet | | 1 | | | M10 | terracotta | | | |
| | A10 | black | | | | | R10 | cocoa | | | |
| | B10 | stone grey | | | | | D11 | dark grey/natural | | | |
| | T10 | sand beige | | | | | T11 | brown/natural | | | |
| | E10 | sea blue | | | | (35) | N 997 551 031 04 | adhesive carpet rear wall carpet | | 1 | I479/484 |
| | J10 | palmgreen | | | | | A10 | black | | | |
| | M10 | terracotta | | | | | B10 | stone grey | | | |
| | R10 | cocoa | | | | | T10 | sand beige | | | |
| | D11 | dark grey/natural | | | | | E10 | sea blue | | | |
| | T11 | brown/natural | | | | | J10 | palmgreen | | | |
| 34 | P 997 551 017 00 | adhesive carpet seat well carpet | | 1 | I685 | | M10 | terracotta | | | |
| | A10 | black | | | | | R10 | cocoa | | | |
| | B10 | stone grey | | | | | D11 | dark grey/natural | | | |
| | T10 | sand beige | | | | | T11 | brown/natural | | | |
| | E10 | sea blue | | | | 36 | P 997 551 033 00 | lining control units carpet | | 1 | |
| | J10 | palmgreen | | | | | A10 | black | | | |
| | M10 | terracotta | | | | | B10 | stone grey | | | |
| | R10 | cocoa | | | | | T10 | sand beige | | | |
| | D11 | dark grey/natural | | | | | E10 | sea blue | | | |
| | T11 | brown/natural | | | | | J10 | palmgreen | | | |

| | | | | | | | | | | | |
|-------|------|----|----|--------------|--------------|--------|------|------------|---------|-----|---------|
| Model | Year | MG | SG | Illustration | Restrictions | Update | | | | | |
| 997 | 07 | 8 | 07 | 807-06 | | 203 | 7:40 | 28.08.2006 | PORSCHE | PET | PORSCHE |

| Pos | Part Number | Name | Remarks | Qty | Model | Pos | Part Number | Name | Remarks | Qty | Model |
|------|------------------|---|---------|-----|-------|-----|-------------|------|---------|-----|-------|
| | M10 | terracotta | | | | | | | | | |
| | R10 | cocoa | | | | | | | | | |
| | D11 | dark grey/natural | | | | | | | | | |
| | T11 | brown/natural | | | | | | | | | |
| 37 | P 997 551 525 00 | cover seat-belt buckle | /L | 1 | | | | | | | |
| | 01C | black | | | | | | | | | |
| (37) | P 997 551 526 00 | cover seat-belt buckle | /R | 1 | | | | | | | |
| | 01C | black | | | | | | | | | |
| 39 | P 999 507 476 01 | clamp 8,0 X 10 / 2,5 mount coat hook | | 2 | | | | | | | |
| | | - - - E N D - - - | | | | | | | | | |

| | | | | | | | | | | | |
|-------|------|----|----|--------------|--------------|--------|------|------------|---------|-----|---------|
| Model | Year | MG | SG | Illustration | Restrictions | Update | 7:40 | 28.08.2006 | PORSCHE | PET | PORSCHE |
| 997 | 07 | 8 | 07 | 807-07 | | 203 | | | | | |



| Pos | Part Number | Name | Remarks | Qty | Model |
|-----|----------------|--|---------|-----|--------|
| 1 | 996 555 083 04 | linings rear cover convertible top cloth | | 1 | CABRIO |
| | EDK | black | | | |
| | FNX | stone grey | | | |
| | ERN | metropole blue | | | |
| | FNZ | brown | | | |
| 2 | 996 555 457 00 | cover hardtop mounting lacquered | | 2 | |
| | A10 | black | | | |
| | 5V7 | stone grey | | | |
| | G10 | metropole blue | | | |
| | 8P9 | cocoa | | | |
| 3 | 999 073 060 02 | tapping screw 4,8 X 13 for mount cover convertible top | | 3 | |
| 4 | 996 555 263 03 | flap convertible top cloth | /L | 1 | |
| | A07 | black | | | |
| | C19 | stone grey | | | |
| | G03 | metropole blue | | | |
| | R18 | brown | | | |
| (4) | 996 555 264 03 | flap convertible top cloth | /R | 1 | |
| | A07 | black | | | |
| | C19 | stone grey | | | |
| | G03 | metropole blue | | | |
| | R18 | brown | | | |

| | | | | | | | | | | | |
|-------|------|----|----|--------------|--------------|--------|------|------------|---------|-----|---------|
| Model | Year | MG | SG | Illustration | Restrictions | Update | 7:40 | 28.08.2006 | PORSCHE | PET | PORSCHE |
| 997 | 07 | 8 | 07 | 807-07 | | 203 | | | | | |

| Pos | Part Number | Name | Remarks | Qty | Model | Pos | Part Number | Name | Remarks | Qty | Model |
|-----|----------------|-----------------------------|---------|-----|-------|-----|----------------|-------------------------|---------|-----|-------|
| 5 | 996 555 341 01 | flap cover | /L | 1 | | | 1VM | sea blue | | | |
| | A07 | black | | | | | 1UL | palmgreen | | | |
| | C19 | stone grey | | | | 7 | 997 555 071 12 | side trim panel leather | /L | 1 | I981 |
| | G03 | metropole blue | | | | | FSA | black/grey | | | |
| | R18 | brown | | | | | FSB | stone grey/stone grey | | | |
| (5) | 996 555 342 01 | flap cover | /R | 1 | | | FSC | sand beige/sand beige | | | |
| | A07 | black | | | | | FSD | seeblue/grey | | | |
| | C19 | stone grey | | | | | FSE | palm-green/palm-green | | | |
| | G03 | metropole blue | | | | | FSF | terrakotta/terrakotta | | | |
| | R18 | brown | | | | | FSG | cocoa/cocoa | | | |
| 6 | 996 555 355 00 | hinge outer | | 2 | | | FSH | darkgrey natural/grey | | | |
| (6) | 996 555 356 00 | hinge inner | | 2 | | (7) | 997 555 072 12 | side trim panel leather | /R | 1 | I981 |
| -- | 996 580 667 00 | support | | 2 | | | FSA | black/grey | | | |
| -- | 999 591 489 02 | speed nut 4,8 | | 2 | | | FSB | stone grey/stone grey | | | |
| -- | 999 073 060 02 | tapping screw 4,8 X 13 | | 3 | | | FSC | sand beige/sand beige | | | |
| | | | | | | | FSD | seeblue/grey | | | |
| 7 | 997 555 071 11 | side trim panel leatherette | /L | 1 | | | FSE | palm-green/palm-green | | | |
| | 1MZ | black | | | | | FSF | terrakotta/terrakotta | | | |
| | 1YP | stone grey | | | | | FSG | cocoa/cocoa | | | |
| | 1TK | sand beige | | | | | FSH | darkgrey natural/grey | | | |
| | 1VM | sea blue | | | | | FSJ | brown nat./brown nat. | | | |
| | 1UL | palmgreen | | | | 7 | 997 555 071 13 | side trim panel bicolor | /L 06- | 1 | I970 |
| (7) | 997 555 072 11 | side trim panel leatherette | /R | 1 | | | BCK | black/stone grey | | | |
| | 1MZ | black | | | | | BCL | black/sand beige | | | |
| | 1YP | stone grey | | | | | BCM | black/terracotta | | | |
| | 1TK | sand beige | | | | (7) | 997 555 072 13 | side trim panel bicolor | /R 06- | 1 | I970 |

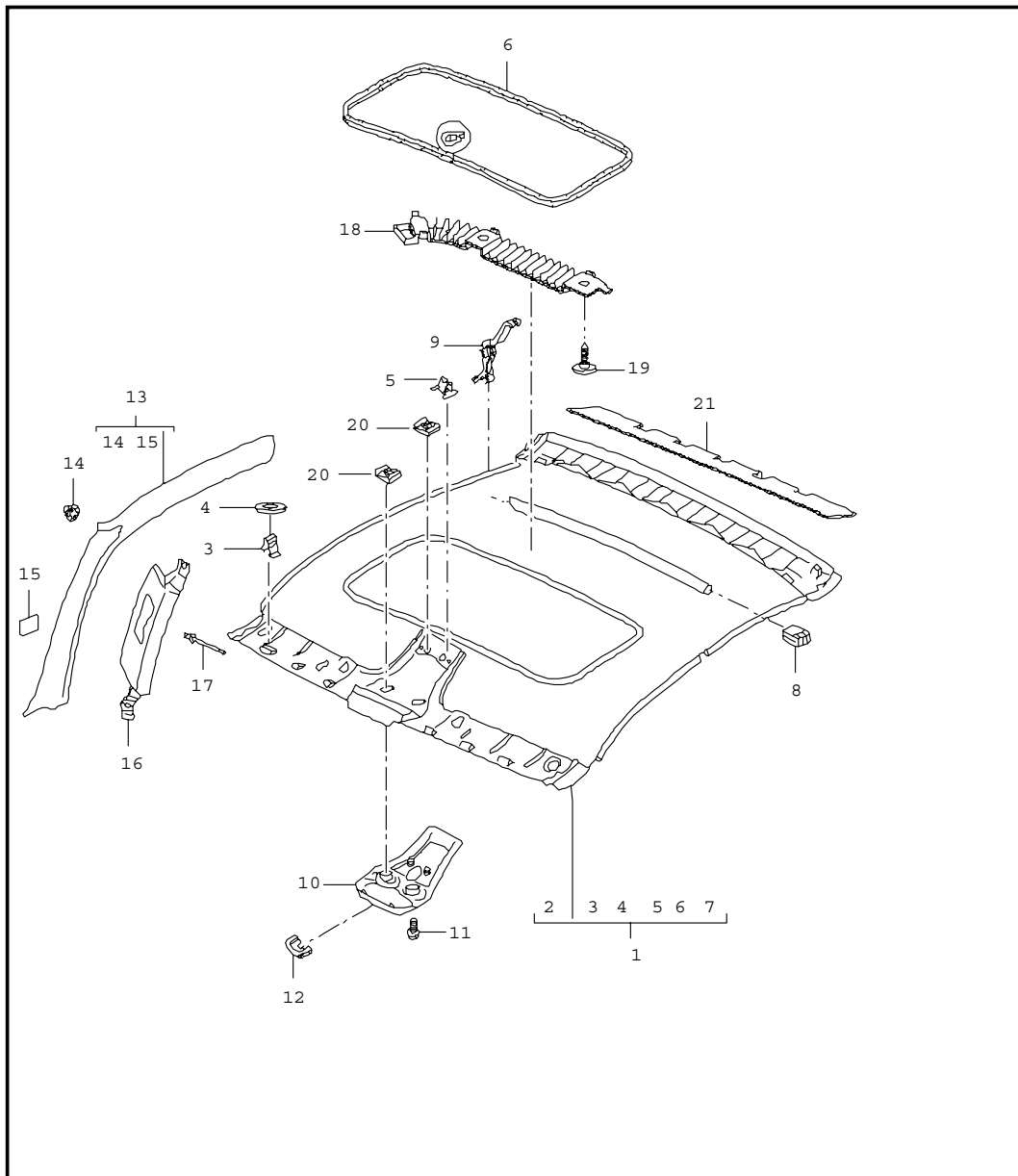
| | | | | | | | | | | | |
|-------|------|----|----|--------------|--------------|--------|------|------------|---------|-----|---------|
| Model | Year | MG | SG | Illustration | Restrictions | Update | 7:40 | 28.08.2006 | PORSCHE | PET | PORSCHE |
| 997 | 07 | 8 | 07 | 807-07 | | 203 | | | | | |

| Pos | Part Number | Name | Remarks | Qty | Model | Pos | Part Number | Name | Remarks | Qty | Model |
|------|----------------|--|---------|-----|-------|------|----------------|----------------------------|---------|-----|-------|
| | BCK | black/stone grey | | | | | 8X8 | terracotta | | | |
| | BCL | black/sand beige | | | | | 8P9 | cocoa | | | |
| | BCM | black/terracotta | | | | | T13 | brown/natural | | | |
| 8 | 999 507 676 09 | clamp 2,5/2,2 | | 1 | | (15) | 997 555 671 01 | rose seat belt | /L | 1 | |
| 9 | 999 551 609 40 | plastic washer 8,0 X 23 X3,0 | | 1 | | | A03 | black | | | |
| 10 | 999 507 533 02 | clamp 8,0 X 10 /2,5 | | 2 | | | 5V7 | stone grey | | | |
| 11 | 999 507 050 40 | expander nut ST 4,2 | | 2 | | | 5Z1 | sand beige | | | |
| 12 | 999 073 142 09 | tapping screw ST 4,2 X 19 | | 2 | | | 8W7 | sea blue | | | |
| 13 | 999 073 048 02 | tapping screw ST 3,5 X 13 | | 2 | | | 5Y2 | palmgreen | | | |
| 14 | 997 555 049 00 | loudspeaker grille side trim panel lacquered | /L | 1 | | (15) | 997 555 672 01 | rose seat belt | /R | 1 | |
| | A03 | black | | | | | A03 | black | | | |
| | 5V7 | stone grey | | | | | 5V7 | stone grey | | | |
| | 5Z1 | sand beige | | | | | 5Z1 | sand beige | | | |
| | 8W7 | sea blue | | | | | 8W7 | sea blue | | | |
| | 5Y2 | palmgreen | | | | | 5Y2 | palmgreen | | | |
| | 8X8 | terracotta | | | | | 8X8 | terracotta | | | |
| | 8P9 | cocoa | | | | | 8P9 | cocoa | | | |
| | T13 | brown/natural | | | | | T13 | brown/natural | | | |
| (14) | 997 555 050 00 | loudspeaker grille side trim panel lacquered | /R | 1 | | (16) | 996 555 281 06 | back wall lining carpet | | 1 | |
| | A03 | black | | | | | A10 | black | | | |
| | 5V7 | stone grey | | | | | B10 | stone grey | | | |
| | 5Z1 | sand beige | | | | | E10 | sea blue | | | |
| | 8W7 | sea blue | | | | | J10 | palmgreen | | | |
| | 5Y2 | palmgreen | | | | | M10 | terracotta | | | |
| | | | | | | | R10 | cocoa | | | |

| | | | | | | | | | | | |
|-------|------|----|----|--------------|--------------|--------|------|------------|---------|-----|---------|
| Model | Year | MG | SG | Illustration | Restrictions | Update | 7:40 | 28.08.2006 | PORSCHE | PET | PORSCHE |
| 997 | 07 | 8 | 07 | 807-07 | | 203 | | | | | |

| Pos | Part Number | Name | Remarks | Qty | Model | Pos | Part Number | Name | Remarks | Qty | Model |
|-----|----------------|---|---------|-----|-------|------|----------------|---|---------|-----|-------|
| 16 | D11 | dark grey/natural | | 1 | I 479 | 21 | 999 703 432 40 | plug for mount lining convertible top frame | | 6 | |
| | T11 | brown/natural | | | | | | | | | |
| | 996 555 281 07 | back wall lining carpet | | | | | | | | | |
| | A10 | black | | | | | | | | | |
| | B10 | stone grey | | | | | | | | | |
| | E10 | sea blue | | | | | | | | | |
| | J10 | palmgreen | | | | | | | | | |
| | M10 | terracotta | | | | | | | | | |
| | R10 | cocoa | | | | | | | | | |
| | D11 | dark grey/natural | | | | | | | | | |
| 17 | T11 | brown/natural | | 2 | I 479 | 22 | 997 551 017 01 | adhesive carpet seat well carpet | | 1 | |
| | 996 555 785 00 | cover release carpet | | | | | | | | | |
| | EDA | black | | | | | | | | | |
| | FNQ | stone grey | | | | | | | | | |
| | FNR | sand beige | | | | | | | | | |
| | FNS | sea blue | | | | | | | | | |
| | FNT | palmgreen | | | | | | | | | |
| | FNU | terracotta | | | | | | | | | |
| | FNV | cocoa | | | | | | | | | |
| | VSM | dark grey/natural | | | | | | | | | |
| VSN | brown/natural | | | | | | | | | | |
| 18 | 996 555 789 00 | base wind deflector | | 1 | | 23 | 996 551 526 00 | cover seat-belt buckle | /R 05 | 1 | |
| | 01C | satin black | | | | | | | | | |
| 19 | 999 073 062 02 | tapping screw 4,8 X 12 | | 2 | | (23) | 997 551 525 00 | cover seat-belt buckle | /L 06- | 1 | |
| | 01C | satin black | | | | | | | | | |
| 20 | 996 551 035 04 | lining convertible top frame carpet | | 1 | | 23 | 996 551 526 00 | cover seat-belt buckle | /R 05 | 1 | |
| | B04 | dark grey | | | | | | | | | |
| | | | | | | 23 | 997 551 526 00 | cover seat-belt buckle | /R 06- | 1 | |
| | | | | | | 24 | 997 551 221 00 | support seat well | | 1 | |
| | | | | | | 25 | 999 076 081 40 | plastic nut T5 16 X 11,2 | | 2 | |
| | | | | | | | | - - - E N D - - - | | | |

| | | | | | | | | | | | |
|-------|------|----|----|--------------|--------------|--------|------|------------|---------|-----|---------|
| Model | Year | MG | SG | Illustration | Restrictions | Update | 7:40 | 28.08.2006 | PORSCHE | PET | PORSCHE |
| 997 | 07 | 8 | 07 | 807-08 | | 203 | | | | | |



| Pos | Part Number | Name | Remarks | Qty | Model |
|-----|----------------|--|---------|-----|------------------------------------|
| 1 | 996 555 091 06 | rooflining alcantara F >>995S7 01250 F >>99XS7 31577 A14 black B14 stone grey T44 stone grey G14 metropole blue J44 palmgreen | | 1 | COUPE COUPE/TARGA COUPE/I652 |
| 1 | 996 555 091 07 | rooflining alcantara F >>995S7 01250 F >>99XS7 31577 A14 black B14 stone grey T44 stone grey G14 metropole blue J44 palmgreen | | 1 | COUPE/I650 |
| 1 | 997 555 091 02 | rooflining alcantara when required order also: position 21 see technical manual 70 84 19 F 995S7 01251>> F 995S7 31578>> A14 black B14 stone grey T44 sand beige G14 metropole blue J44 palmgreen | | 1 | COUPE/I652 |

| | | | | | | | | | | | |
|-------|------|----|----|--------------|--------------|--------|------|------------|---------|-----|---------|
| Model | Year | MG | SG | Illustration | Restrictions | Update | 7:40 | 28.08.2006 | PORSCHE | PET | PORSCHE |
| 997 | 07 | 8 | 07 | 807-08 | | 203 | | | | | |

| Pos | Part Number | Name | Remarks | Qty | Model | Pos | Part Number | Name | Remarks | Qty | Model |
|-----|----------------|--|---------|-----|------------|-----|----------------|--|---------|-----|-----------|
| (1) | 997 555 091 03 | rooflining alcantara when required order also: position 21 see technical manual 70 84 19 F 995S7 01251>> F 995S7 31578>> | | 1 | COUPE/I650 | | 9S5 | terracotta | | | |
| | A14 | black | | | | | 9V6 | cocoa | | | |
| | B14 | stone grey | | | | | D12 | dark grey/natural | | | |
| | T44 | sand beige | | | | | T12 | brown/natural | | | |
| | G14 | metropole blue | | | | (1) | 997 555 980 02 | rooflining when required order also: position 21 see technical manual 70 84 19 valid from: F 995S7 01251>> F 995S7 31578>> | | 1 | IXMA/I652 |
| | J44 | palmgreen | | | | | A11 | black | | | |
| (1) | 996 555 982 02 | rooflining valid up to: F >>995S7 01250 F >>99X57 31577 | | 1 | IXMA/I652 | | 5X6 | stone grey | | | |
| | A11 | black | | | | | 8G2 | sand beige | | | |
| | 5X6 | stone grey | | | | | 3S9 | sea blue | | | |
| | 8G2 | sand beige | | | | | 4P2 | palmgreen | | | |
| | 3S9 | sea blue | | | | | 9S5 | terracotta | | | |
| | 4P2 | palmgreen | | | | | 9V6 | cocoa | | | |
| | 9S5 | terracotta | | | | | D12 | dark grey/natural | | | |
| | 9V6 | cocoa | | | | | T12 | brown/natural | | | |
| | D12 | dark grey/natural | | | | (1) | 997 555 980 03 | rooflining when required order also: position 21 see technical manual 70 84 19 valid from: F 995S7 01251>> F 995S7 31578>> | | 1 | IXMA/I650 |
| | T12 | brown/natural | | | | | A11 | black | | | |
| (1) | 996 555 982 03 | rooflining valid up to: F >>995S7 01250 F >>99X57 31577 | | 1 | IXMA/I650 | | 5X6 | stone grey | | | |
| | A11 | black | | | | | 8G2 | sand beige | | | |
| | 5X6 | stone grey | | | | | 3S9 | sea blue | | | |
| | 8G2 | sand beige | | | | | 4P2 | palmgreen | | | |
| | 3S9 | sea blue | | | | | 9S5 | terracotta | | | |
| | 4P2 | palmgreen | | | | | | | | | |

| | | | | | | | | | | | |
|-------|------|----|----|--------------|--------------|--------|------|------------|---------|-----|---------|
| Model | Year | MG | SG | Illustration | Restrictions | Update | 7:40 | 28.08.2006 | PORSCHE | PET | PORSCHE |
| 997 | 07 | 8 | 07 | 807-08 | | 203 | | | | | |

| Pos | Part Number | Name | Remarks | Qty | Model | Pos | Part Number | Name | Remarks | Qty | Model |
|-----|------------------|--|---------|-----|------------|------|----------------|------------------------------|---------|-----|------------|
| | 9V6 | cocoa | | | | 9 | 996 555 691 02 | clip mount rooflining | | 8 | COUPE |
| | D12 | dark grey/natural | | | | | | | | | |
| | T12 | brown/natural | | | | (10) | 996 555 557 09 | cover interior light | | 1 | COUPE/I650 |
| (2) | U 996 555 553 08 | cover rooflining front valid up to: F >>995S7 01250 F >>995S7 31577 | | 1 | COUPE/I652 | | A03 | black | | | |
| | | | | | | | 5V7 | stone grey | | | |
| | | | | | | | 5Z1 | sand beige | | | |
| 2 | U 996 555 553 09 | cover rooflining front valid up to: F >>995S7 01250 F >>995S7 31577 | | 1 | COUPE/I650 | | 8W7 | sea blue | | | |
| | | | | | | | 5Y2 | palmgreen | | | |
| (2) | U 997 555 591 00 | cover front valid from: F 995S7 01251>> F 995S7 31578>> | | 1 | COUPE/I652 | 10 | 996 555 557 11 | cover interior light | | 1 | COUPE/I652 |
| | | | | | | | A03 | black | | | |
| | | | | | | | 5V7 | stone grey | | | |
| | | | | | | | 5Z1 | sand beige | | | |
| 2 | U 997 555 591 01 | cover front valid from: F 995S7 01251>> F 995S7 31578>> | | 1 | COUPE/I650 | | 8W7 | sea blue | | | |
| | | | | | | | 5Y2 | palmgreen | | | |
| 3 | 999 507 479 09 | clamp 2,5/0,9 | | 6 | COUPE | (10) | 996 555 993 02 | cover interior light leather | 06- | 1 | IXZD/I650 |
| 4 | 999 551 609 40 | plastic washer 8,0 X 23 X 3,0 | | 6 | COUPE | | A11 | black | | | |
| 5 | 999 507 533 02 | clamp 8 X 10/2,5 | | 2 | COUPE/I650 | | 5X6 | stone grey | | | |
| 6 | 996 564 231 02 | pipng | | 1 | COUPE/I650 | | 8G2 | sand beige | | | |
| (7) | U 996 555 155 06 | cover rooflining rear | | 1 | COUPE/I652 | | 3S9 | sea blue | | | |
| | | | | | | | 4P2 | palmgreen | | | |
| | | | | | | | 9S5 | terracotta | | | |
| 7 | U 996 555 155 07 | cover rooflining rear | | 1 | COUPE/I650 | | 9V6 | cocoa | | | |
| | | | | | | | D12 | dark grey/natural | | | |
| 8 | 996 555 823 00 | support transverse strut | -05 | 2 | COUPE/I650 | | T12 | brown/natural | | | |
| 8 | 997 555 823 00 | support transverse strut | 06- | 2 | COUPE/I650 | (10) | 996 555 993 03 | cover interior light leather | 06- | 1 | IXZD/I652 |
| | | | | | | | A11 | black | | | |

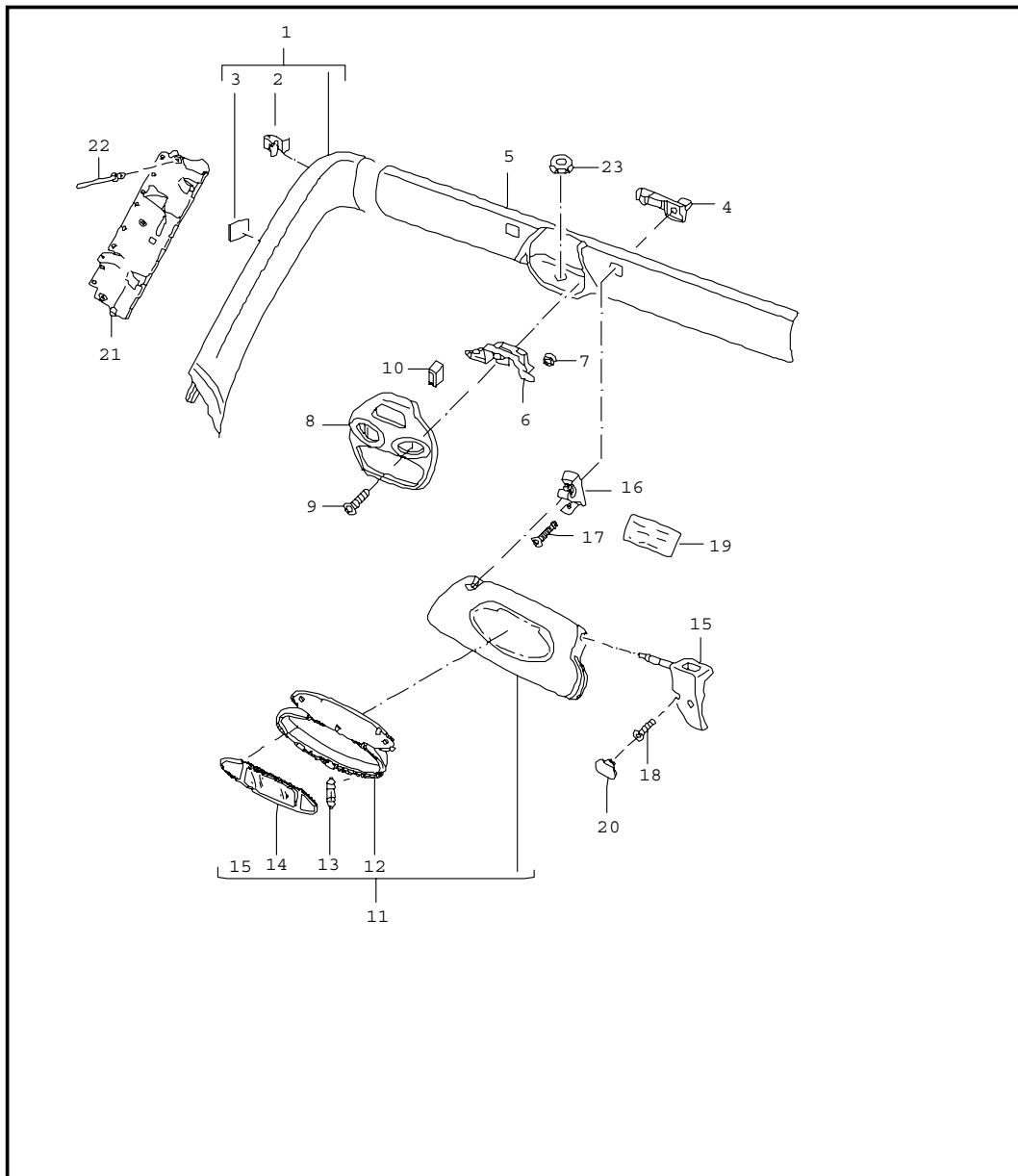
| | | | | | | | | | | | |
|-------|------|----|----|--------------|--------------|--------|------|------------|---------|-----|---------|
| Model | Year | MG | SG | Illustration | Restrictions | Update | 7:40 | 28.08.2006 | PORSCHE | PET | PORSCHE |
| 997 | 07 | 8 | 07 | 807-08 | | 203 | | | | | |

| Pos | Part Number | Name | Remarks | Qty | Model | Pos | Part Number | Name | Remarks | Qty | Model |
|------|----------------|--|---------|-----|-------|------|----------------|-----------------------------------|---------|-----|------------|
| | 5X6 | stone grey | | | | | 1TK | sand beige | | | |
| | 8G2 | sand beige | | | | | 1VM | sea blue | | | |
| | 3S9 | sea blue | | | | | 1UL | palmgreen | | | |
| | 4P2 | palmgreen | | | | (13) | 997 555 182 04 | lining a-pillar leatherette | /R 06- | 1 | COUPE |
| | 9S5 | terracotta | | | | | 1MZ | black | | | |
| | 9V6 | cocoa | | | | | 1YP | stone grey | | | |
| | D12 | dark grey/natural | | | | | 1TK | sand beige | | | |
| | T12 | brown/natural | | | | | 1VM | sea blue | | | |
| 11 | 999 073 061 02 | tapping screw 4,8 X 16 | | X | | | 1UL | palmgreen | | | |
| 12 | 996 555 619 00 | grommet wiring harness rain sensor | | 1 | | (13) | 997 555 181 10 | lining a-pillar leatherette | /L 07- | 1 | TARGA |
| (13) | 997 555 181 00 | lining a-pillar leatherette | /L 05 | 1 | COUPE | | 1MZ | black | | | |
| | 1MZ | black | | | | | 1YP | stone grey | | | |
| | 1YP | stone grey | | | | | 1TK | sand beige | | | |
| | 1TK | sand beige | | | | | 1VM | sea blue | | | |
| | 1VM | sea blue | | | | | 1UL | palmgreen | | | |
| 13 | 997 555 182 00 | lining a-pillar leatherette | /R 05 | 1 | COUPE | (13) | 997 555 182 10 | lining a-pillar leatherette | /R 07- | 1 | TARGA |
| | 1MZ | black | | | | | 1YP | stone grey | | | |
| | 1YP | stone grey | | | | | 1TK | sand beige | | | |
| | 1TK | sand beige | | | | | 1VM | sea blue | | | |
| | 1VM | sea blue | | | | | 1UL | palmgreen | | | |
| (13) | 997 555 181 04 | lining a-pillar leatherette | /L 06- | 1 | COUPE | (13) | 997 555 181 01 | lining a-pillar leather | /L 05 | 1 | COUPE/I981 |
| | 1MZ | black | | | | | A11 | black | | | |
| | 1YP | stone grey | | | | | 5X6 | stone grey | | | |
| | | | | | | | 8G2 | sand beige | | | |

| | | | | | | | | | | | |
|-------|------|----|----|--------------|--------------|--------|------|------------|---------|-----|---------|
| Model | Year | MG | SG | Illustration | Restrictions | Update | 7:40 | 28.08.2006 | PORSCHE | PET | PORSCHE |
| 997 | 07 | 8 | 07 | 807-08 | | 203 | | | | | |

| Pos | Part Number | Name | Remarks | Qty | Model | Pos | Part Number | Name | Remarks | Qty | Model |
|------|----------------|-------------------------------|---------|-----|------------|------|----------------|---------------------------------|---------|-----|------------|
| | 3S9 | sea blue | | | | (13) | 997 555 182 05 | lining a-pillar leather | /R 06- | 1 | COUPE/I981 |
| | 4P2 | palmgreen | | | | | | | | | |
| | 9S5 | terracotta | | | | | A11 | black | | | |
| | 9V6 | cocoa | | | | | 5X6 | stone grey | | | |
| | D12 | dark grey/natural | | | | | 8G2 | sand beige | | | |
| | T12 | brown/natural | | | | | 3S9 | sea blue | | | |
| (13) | 997 555 182 01 | lining a-pillar leather | /R 05 | 1 | COUPE/I981 | | 4P2 | palmgreen | | | |
| | A11 | black | | | | | 9S5 | terracotta | | | |
| | 5X6 | stone grey | | | | | 9V6 | cocoa | | | |
| | 8G2 | sand beige | | | | | D12 | dark grey/natural | | | |
| | 3S9 | sea blue | | | | 14 | 999 507 681 09 | clamp 2,5/3,0 | 05 | 5 | COUPE |
| | 4P2 | palmgreen | | | | (14) | 999 507 839 01 | clamp 3,5 | 06- | 2 | COUPE |
| | 9S5 | terracotta | | | | (14) | 999 507 047 09 | clamp 3,6 | 06- | 3 | COUPE |
| | 9V6 | cocoa | | | | 14 | 999 507 681 09 | clamp 2,5/3,0 | 07- | 4 | TARGA |
| | D12 | dark grey/natural | | | | (14) | 999 507 047 09 | clamp 3,6 | 07- | 2 | TARGA |
| | T12 | brown/natural | | | | (14) | 999 209 084 40 | spacer 20 X 25 X 0,5 | 07- | 6 | TARGA |
| (13) | 997 555 181 05 | lining a-pillar leather | /L 06- | 1 | COUPE/I981 | 15 | 999 551 134 40 | adhesive tape 20 X 65 | | 5 | COUPE |
| | A11 | black | | | | (16) | 996 555 291 00 | deformation element a-pillar | /L 05 | 1 | |
| | 5X6 | stone grey | | | | 16 | 996 555 292 00 | deformation element a-pillar | /R 05 | 1 | |
| | 8G2 | sand beige | | | | 17 | 999 190 167 30 | blind rivet 4,0 X 6,3 | -06 | 8 | |
| | 3S9 | sea blue | | | | 17 | 999 190 184 01 | blind rivet 4,0 X 8,5 | 07- | 8 | |
| | 4P2 | palmgreen | | | | 20 | 999 591 348 02 | speed nut St 4,8 | | X | |
| | 9S5 | terracotta | | | | | | | | | |
| | 9V6 | cocoa | | | | | | | | | |
| | D12 | dark grey/natural | | | | | | | | | |
| | T12 | brown/natural | | | | | | | | | |

| | | | | | | | | | | | |
|-------|------|----|----|--------------|--------------|--------|------|------------|---------|-----|---------|
| Model | Year | MG | SG | Illustration | Restrictions | Update | 7:41 | 28.08.2006 | PORSCHE | PET | PORSCHE |
| 997 | 07 | 8 | 07 | 807-09 | | 203 | | | | | |



| Pos | Part Number | Name | Remarks | Qty | Model |
|-----|----------------|---|---------|-----|--|
| 1 | 997 555 181 06 | a-pillar windscreen frame windscreen frame sun visors sun visors lining a-pillar leatherette 1MZ black 1YP stone grey 1TK sand beige 1VM sea blue 1UL palmgreen | /L | 1 | CABRIO CABRIO TARGA COUPE/CABRIO TARGA CABRIO |
| (1) | 997 555 182 06 | lining a-pillar leatherette 1MZ black 1YP stone grey 1TK sand beige 1VM sea blue 1UL palmgreen | /R | 1 | CABRIO |
| 1 | 997 555 181 07 | lining a-pillar leather A11 black 5X6 stone grey 8G2 sand beige 3S9 sea blue 4P2 palmgreen 9S5 terracotta 9V6 cocoa D12 dark grey/natural T12 brown/natural | /L | 1 | CABRIO/I981 |

| | | | | | | | | | | | |
|-------|------|----|----|--------------|--------------|--------|------|------------|---------|-----|---------|
| Model | Year | MG | SG | Illustration | Restrictions | Update | | | | | |
| 997 | 07 | 8 | 07 | 807-09 | | 203 | 7:41 | 28.08.2006 | PORSCHE | PET | PORSCHE |

| Pos | Part Number | Name | Remarks | Qty | Model | Pos | Part Number | Name | Remarks | Qty | Model |
|-----|----------------|--|---------|-----|--------------|-----|----------------|--|---------|-----|-------------|
| (1) | 997 555 182 07 | lining a-pillar leather | /R | 1 | CABRIO/I981 | | 1TK | sand beige | | | |
| | A11 | black | | | | | 1VM | sea blue | | | |
| | 5X6 | stone grey | | | | | 1UL | palmgreen | | | |
| | 8G2 | sand beige | | | | 5 | 997 555 059 01 | lining windscreen frame part leather | | 1 | CABRIO/I981 |
| | 3S9 | sea blue | | | | | A11 | black | | | |
| | 4P2 | palmgreen | | | | | 5X6 | stone grey | | | |
| | 9S5 | terracotta | | | | | 8G2 | sand beige | | | |
| | 9V6 | cocoa | | | | | 3S9 | sea blue | | | |
| | D12 | dark grey/natural | | | | | 4P2 | palmgreen | | | |
| | T12 | brown/natural | | | | | 9S5 | terracotta | | | |
| 2 | 999 507 047 09 | clamp 3,6 | | 2 | | | 9V6 | cocoa | | | |
| 3 | 999 551 134 40 | adhesive tape 20 X 65 | | 2 | | | D12 | dark grey/natural | | | |
| 4 | 986 731 541 01 | plate for sun visors | | 2 | COUPE/CABRIO | (5) | 997 555 059 03 | lining windscreen frame part leather | 07- | 1 | TARGA/I981 |
| (4) | 997 731 543 00 | plate for sun visors | 07- | 2 | TARGA | | A11 | black | | | |
| 5 | 997 555 059 00 | lining windscreen frame part leatherette | | 1 | CABRIO | | 5X6 | stone grey | | | |
| | 1MZ | black | | | | | 8G2 | sand beige | | | |
| | 1YP | stone grey | | | | | 3S9 | sea blue | | | |
| | 1TK | sand beige | | | | | 4P2 | palmgreen | | | |
| | 1VM | sea blue | | | | | 9S5 | terracotta | | | |
| | 1UL | palmgreen | | | | | 9V6 | cocoa | | | |
| (5) | 997 555 059 04 | lining windscreen frame part leatherette | 07- | 1 | TARGA | 6 | 996 613 795 01 | microswitch | | 1 | CABRIO |
| | 1MZ | black | | | | 7 | 999 507 534 02 | clamping washer 2,5 | | 2 | CABRIO |
| | 1YP | stone grey | | | | 8 | 996 561 635 00 | cover interior light lacquered | | 1 | CABRIO |

| | | | | | | | | | | | |
|-------|------|----|----|--------------|--------------|--------|------|------------|---------|-----|---------|
| Model | Year | MG | SG | Illustration | Restrictions | Update | 7:41 | 28.08.2006 | PORSCHE | PET | PORSCHE |
| 997 | 07 | 8 | 07 | 807-09 | | 203 | | | | | |

| Pos | Part Number | Name | Remarks | Qty | Model | Pos | Part Number | Name | Remarks | Qty | Model |
|------|----------------|--|---------|-----|--------|------|----------------|---|---------|-----|-----------|
| (8) | A09 | rally black | | | | | 7E3 | sand beige | | | |
| | 996 555 557 07 | cover interior light lacquered | 07- | 1 | TARGA | | 8Z5 | sea blue | | | |
| | A03 | black | | | | (11) | 997 731 031 00 | sun visor leatherette valid from: F 995S7 01251>> F 995S9 31578>> | /L | 1 | COUPE |
| | 5V7 | stone grey | | | | | A12 | black | | | |
| | 5Z1 | sand beige | | | | | 8W4 | stone grey | | | |
| | 8W7 | sea blue | | | | | 7E3 | sand beige | | | |
| | 5Y2 | palmgreen | | | | | 8Z5 | sea blue | | | |
| | 8X8 | terracotta | | | | | 7W3 | palmgreen | | | |
| | 8P9 | cocoa | | | | | | | | | |
| - | 996 561 613 00 | cover | | 1 | CABRIO | (11) | 997 731 032 00 | sun visor leatherette valid from: F 995S7 01251>> F 995S9 31578>> | /R | 1 | COUPE |
| | 01C | satin black | | | | | A12 | black | | | |
| 9 | 999 073 166 09 | countersunk-head screw M 6 X 25 | | 2 | CABRIO | | 8W4 | stone grey | | | |
| (9) | 999 073 061 02 | tapping screw 4,8 X 16 | 07- | 2 | TARGA | | 7E3 | sand beige | | | |
| 10 | 996 561 609 00 | cap | | 1 | CABRIO | | 8Z5 | sea blue | | | |
| (11) | 996 731 031 15 | sun visor valid up to: F >>995S7 01250 F >>995S7 31577 leatherette | /L | 1 | COUPE | | 7W3 | palmgreen | | | |
| | A12 | black | | | | (11) | 997 731 981 03 | sun visor leather valid up to: F >>995S7 01250 F >>995S7 31577 | /L | 1 | COUPE/XMP |
| | 8W4 | stone grey | | | | | A11 | black | | | |
| | 7E3 | sand beige | | | | | 5X6 | stone grey | | | |
| | 8Z5 | sea blue | | | | | 8G2 | sand beige | | | |
| | 7W3 | palmgreen | | | | | 3S9 | sea blue | | | |
| (11) | 996 731 032 15 | sun visor valid up to: F >>995S7 01250 F >>995S7 31577 leatherette | /R | 1 | COUPE | | 4P2 | palmgreen | | | |
| | A12 | black | | | | | 9S5 | terracotta | | | |
| | 8W4 | stone grey | | | | | 9V6 | cocoa | | | |

| | | | | | | | | | | | |
|-------|------|----|----|--------------|--------------|--------|------|------------|---------|-----|---------|
| Model | Year | MG | SG | Illustration | Restrictions | Update | 7:41 | 28.08.2006 | PORSCHE | PET | PORSCHE |
| 997 | 07 | 8 | 07 | 807-09 | | 203 | | | | | |

| Pos | Part Number | Name | Remarks | Qty | Model | Pos | Part Number | Name | Remarks | Qty | Model | |
|------|----------------|--------------|-------------------|-----|-------|-----------|-------------|-------------------|-----------|-----|-------|------------|
| (11) | 997 731 982 03 | D12 | dark grey/natural | /R | 1 | COUPE/XMP | A11 | black | | | | |
| | | T12 | brown/natural | | | | 5X6 | stone grey | | | | |
| | | sun visor | | | | | 8G2 | sand beige | | | | |
| | | leather | | | | | 3S9 | sea blue | | | | |
| | | valid up to: | | | | | 4P2 | palmgreen | | | | |
| | | F | >>995S7 01250 | | | | 9S5 | terracotta | | | | |
| | | F | >>995S7 31577 | | | | 9V6 | cocoa | | | | |
| | | A11 | black | | | | D12 | dark grey/natural | | | | |
| | | 5X6 | stone grey | | | | T12 | brown/natural | | | | |
| | | 8G2 | sand beige | | | | | | | | | |
| (11) | 997 731 981 00 | sun visor | | /L | 1 | COUPE/XMP | (11) | 996 731 031 18 | sun visor | /L | 1 | CABRIO |
| | | leather | | | | | A12 | black | | | | |
| | | valid from: | | | | | 8W4 | stone grey | | | | |
| | | F | 995S7 01251>> | | | | 7E3 | sand beige | | | | |
| | | F | 995S7 31578>> | | | | 8Z5 | sea blue | | | | |
| | | A11 | black | | | | 7W3 | palmgreen | | | | |
| | | 5X6 | stone grey | | | | (11) | 996 731 032 18 | sun visor | /R | 1 | CABRIO |
| | | 8G2 | sand beige | | | | A12 | black | | | | |
| | | 3S9 | sea blue | | | | 8W4 | stone grey | | | | |
| | | 4P2 | palmgreen | | | | 7E3 | sand beige | | | | |
| (11) | 997 731 982 00 | sun visor | | /R | 1 | COUPE/XMP | (11) | 997 731 981 06 | sun visor | /L | 1 | CABRIO/XMP |
| | | leather | | | | | A11 | black | | | | |
| | | valid from: | | | | | 5X6 | stone grey | | | | |
| | | F | 995S7 01251>> | | | | 8G2 | sand beige | | | | |
| | | F | 995S7 31578>> | | | | 3S9 | sea blue | | | | |
| | | A11 | black | | | | 4P2 | palmgreen | | | | |
| | | 5X6 | stone grey | | | | 9S5 | terracotta | | | | |
| | | 8G2 | sand beige | | | | | | | | | |
| | | 3S9 | sea blue | | | | | | | | | |
| | | 4P2 | palmgreen | | | | | | | | | |

| | | | | | | | | | | | |
|-------|------|----|----|--------------|--------------|--------|------|------------|---------|-----|---------|
| Model | Year | MG | SG | Illustration | Restrictions | Update | | | | | |
| 997 | 07 | 8 | 07 | 807-09 | | 203 | 7:41 | 28.08.2006 | PORSCHE | PET | PORSCHE |

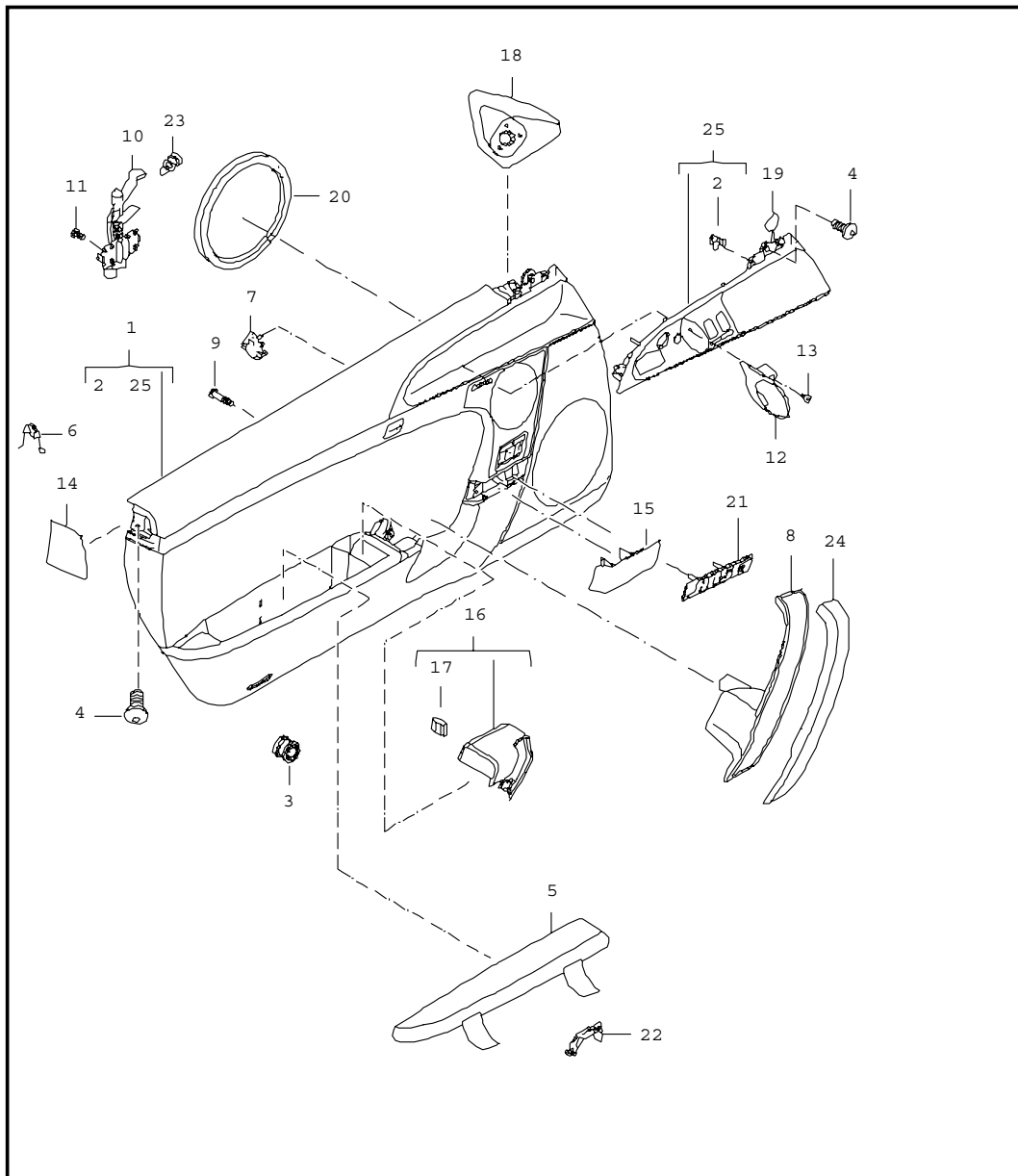
| Pos | Part Number | Name | Remarks | Qty | Model | Pos | Part Number | Name | Remarks | Qty | Model |
|------|-------------------|-----------------------|----------------|----------------------------------|------------|----------------|----------------|-------------------|---------|--------|------------|
| (11) | 9V6 | cocoa | /R | 1 | CABRIO/XMP | (11) | 5X6 | stone grey | /R 07- | 1 | TARGA/IXMP |
| | D12 | dark grey/natural | | | | | 8G2 | sand beige | | | |
| | T12 | brown/natural | | | | | 3S9 | sea blue | | | |
| | 997 731 982 06 | sun visor leather | | | | | 4P2 | palmgreen | | | |
| | A11 | black | | | | | 9S5 | terracotta | | | |
| | 5X6 | stone grey | | | | | 9V6 | cocoa | | | |
| | 8G2 | sand beige | | | | | D12 | dark grey/natural | | | |
| | 3S9 | sea blue | | | | | T12 | brown/natural | | | |
| | 4P2 | palmgreen | | | | | 997 731 982 13 | sun visor leather | | | |
| | 9S5 | terracotta | | | | | A11 | black | | | |
| | 9V6 | cocoa | | | | | 5X6 | stone grey | | | |
| D12 | dark grey/natural | 8G2 | sand beige | | | | | | | | |
| T12 | brown/natural | 3S9 | sea blue | | | | | | | | |
| (11) | 997 731 031 09 | sun visor leatherette | /L 07- | 1 | TARGA | (11) | 4P2 | palmgreen | /R 07- | 1 | TARGA/IXMP |
| | A12 | black | 9S5 | terracotta | | | | | | | |
| | 8W4 | stone grey | 9V6 | cocoa | | | | | | | |
| | 7E3 | sand beige | D12 | dark grey/natural | | | | | | | |
| | 8Z5 | sea blue | T12 | brown/natural | | | | | | | |
| | 7W3 | palmgreen | 996 731 903 00 | mirror housing with illumination | | | | | | | |
| | 997 731 032 09 | sun visor leatherette | /R 07- | 1 | TARGA | | 01C | satin black | | | |
| A12 | black | (11) | 999 631 147 90 | bulb 3 W | 4 | | | | | | |
| 8W4 | stone grey | | 996 731 531 01 | mirror glass with frame | 2 | | | | | | |
| 7E3 | sand beige | | 01C | satin black | | | | | | | |
| 8Z5 | sea blue | | (15) | 996 731 461 00 | mounting | /L | 1 | CABRIO | | | |
| 7W3 | palmgreen | 01C | | satin black | | | | | | | |
| (11) | 997 731 981 13 | sun visor leather | /L 07- | 1 | TARGA/IXMP | 996 731 462 00 | mounting | /R | 1 | CABRIO | |
| | A11 | black | | | | | | | | | |

| | | | | | | | | | | | |
|-------|------|----|----|--------------|--------------|--------|------|------------|---------|-----|---------|
| Model | Year | MG | SG | Illustration | Restrictions | Update | 7:41 | 28.08.2006 | PORSCHE | PET | PORSCHE |
| 997 | 07 | 8 | 07 | 807-09 | | 203 | | | | | |

| Pos | Part Number | Name | Remarks | Qty | Model | Pos | Part Number | Name | Remarks | Qty | Model |
|------|----------------|---|---------|-----|--------------|-----|----------------|---|---------|-----|--------|
| | 01C | satin black | | | | 19 | 997 701 401 09 | indication sticker folding top control italian | | 1 | CABRIO |
| (15) | 997 731 461 00 | mounting | /L | 1 | COUPE | | | | | | |
| | 01C | satin black | | | | 19 | 997 701 401 10 | indication sticker folding top control spanish | | 1 | CABRIO |
| (15) | 997 731 462 00 | mounting | /R | 1 | COUPE | | | | | | |
| | 01C | satin black | | | | 19 | 997 701 401 11 | indication sticker folding top control japanese | | 1 | CABRIO |
| 16 | 996 731 341 00 | support sun visor | /L | 1 | COUPE/CABRIO | | | | | | |
| | 01C | satin black | | | | 20 | 996 561 613 00 | cover mounting | | 2 | CABRIO |
| (16) | 996 731 342 00 | support sun visor | /R | 1 | COUPE/CABRIO | | 01C | satin black | | | |
| | 01C | satin black | | | | 23 | 996 555 619 00 | grommet wiring harness rain sensor | | 1 | |
| 17 | 999 919 120 09 | oval-head screw 4,0 X 18 | | 1 | COUPE/CABRIO | | | | | | |
| (17) | 999 073 255 09 | screw M 5 X 14 for mount sun visors | | 4 | TARGA | | | | | | |
| 18 | 999 073 166 09 | countersunk-head screw M 6 X 25 | | 4 | CABRIO | | | | | | |
| 18 | 999 073 139 01 | oval-head screw M 5 X 25 valid up to: F >>995S7 01250 F >>995S7 31577 | | 2 | COUPE | | | | | | |
| 18 | 999 073 326 09 | oval-head screw M 5 X 10 valid from: F 995S7 01251>> F 995S7 31578>> | | 2 | COUPE | | | | | | |
| (18) | 999 500 093 02 | nut M 5 | | 2 | COUPE | | | | | | |
| 19 | 997 701 401 06 | indication sticker folding top control german | | 1 | CABRIO | | | | | | |
| 19 | 997 701 401 07 | indication sticker folding top control english | | 1 | CABRIO | | | | | | |
| 19 | 997 701 401 08 | indication sticker folding top control french | | 1 | CABRIO | | | | | | |

- - - E N D - - -

| | | | | | | | | | | | |
|-------|------|----|----|--------------|--------------|--------|------|------------|---------|-----|---------|
| Model | Year | MG | SG | Illustration | Restrictions | Update | 7:41 | 28.08.2006 | PORSCHE | PET | PORSCHE |
| 997 | 07 | 8 | 07 | 807-10 | | 203 | | | | | |



| Pos | Part Number | Name | Remarks | Qty | Model |
|-----|----------------|-----------------------------|---------|-----|----------------------|
| 1 | 997 555 201 04 | door trim panel accessories | /LL/L | 1 | COUPE/TARGA I098/490 |
| | | leatherette | | | |
| | 9L4 | black | | | |
| | 9M5 | stone grey | | | |
| | 9C6 | sand beige | | | |
| | 9D7 | sea blue | | | |
| | 9E8 | palmgreen | | | |
| 1 | 997 555 201 06 | door trim panel | /L | 1 | COUPE/TARGA I490/537 |
| | | leatherette | | | |
| | 9L4 | black | | | |
| | 9M5 | stone grey | | | |
| | 9C6 | sand beige | | | |
| | 9D7 | sea blue | | | |
| | 9E8 | palmgreen | | | |
| (1) | 997 555 201 16 | door trim panel | /LL/L | 1 | CABRIO I098/490 |
| | | leatherette | | | |
| | 9L4 | black | | | |
| | 9M5 | stone grey | | | |
| | 9C6 | sand beige | | | |
| | 9D7 | sea blue | | | |
| | 9E8 | palmgreen | | | |
| (1) | 997 555 201 18 | door trim panel | /L | 1 | CABRIO I490/537 |
| | | leatherette | | | |
| | 9L4 | black | | | |
| | 9M5 | stone grey | | | |
| | 9C6 | sand beige | | | |
| | 9D7 | sea blue | | | |
| | 9E8 | palmgreen | | | |

| | | | | | | | | | | | |
|-------|------|----|----|--------------|--------------|--------|------|------------|---------|-----|---------|
| Model | Year | MG | SG | Illustration | Restrictions | Update | 7:41 | 28.08.2006 | PORSCHE | PET | PORSCHE |
| 997 | 07 | 8 | 07 | 807-10 | | 203 | | | | | |

| Pos | Part Number | Name | Remarks | Qty | Model | Pos | Part Number | Name | Remarks | Qty | Model |
|-----|----------------|--------------------------------|---------|-----|-------------------------|-----|----------------|--------------------------------|---------|-----|-------------------------|
| (1) | 997 555 202 26 | door trim panel leatherette | /LL/R | 1 | I098/490 | | 9L4 | black | | | |
| | 9L4 | black | | | | | 9M5 | stone grey | | | |
| | 9M5 | stone grey | | | | | 9C6 | sand beige | | | |
| | 9C6 | sand beige | | | | | 9D7 | sea blue | | | |
| | 9D7 | sea blue | | | | | 9E8 | palmgreen | | | |
| | 9E8 | palmgreen | | | | (1) | 997 555 201 26 | door trim panel leatherette | /RL/L | 1 | I099/490 |
| (1) | 997 555 202 04 | door trim panel leatherette | /RL/R | 1 | COUPE/TARGA I099/490 | | 9L4 | black | | | |
| | 9L4 | black | | | | | 9M5 | stone grey | | | |
| | 9M5 | stone grey | | | | | 9C6 | sand beige | | | |
| | 9C6 | sand beige | | | | | 9D7 | sea blue | | | |
| | 9D7 | sea blue | | | | | 9E8 | palmgreen | | | |
| | 9E8 | palmgreen | | | | (1) | 997 555 201 08 | door trim panel leatherette | /LL/L | 1 | COUPE/TARGA I098/680 |
| (1) | 997 555 202 06 | door trim panel leatherette | /R | 1 | COUPE/TARGA I490/538 | | 9L4 | black | | | |
| | 9L4 | black | | | | | 9M5 | stone grey | | | |
| | 9M5 | stone grey | | | | | 9C6 | sand beige | | | |
| | 9C6 | sand beige | | | | | 9D7 | sea blue | | | |
| | 9D7 | sea blue | | | | | 9E8 | palmgreen | | | |
| | 9E8 | palmgreen | | | | (1) | 997 555 201 10 | door trim panel leatherette | /L | 1 | COUPE/TARGA I537/680 |
| (1) | 997 555 202 16 | door trim panel leatherette | /RL/R | 1 | CABRIO I099/490 | | 9L4 | black | | | |
| | 9L4 | black | | | | | 9M5 | stone grey | | | |
| | 9M5 | stone grey | | | | | 9C6 | sand beige | | | |
| | 9C6 | sand beige | | | | | 9D7 | sea blue | | | |
| | 9D7 | sea blue | | | | | 9E8 | palmgreen | | | |
| | 9E8 | palmgreen | | | | (1) | 997 555 201 20 | door trim panel leatherette | /LL/L | 1 | CABRIO I098/680 |
| (1) | 997 555 202 18 | door trim panel leatherette | /R | 1 | CABRIO I490/538 | | 9L4 | black | | | |
| | | | | | | | 9M5 | stone grey | | | |

| | | | | | | | | | | | |
|-------|------|----|----|--------------|--------------|--------|------|------------|---------|-----|---------|
| Model | Year | MG | SG | Illustration | Restrictions | Update | 7:41 | 28.08.2006 | PORSCHE | PET | PORSCHE |
| 997 | 07 | 8 | 07 | 807-10 | | 203 | | | | | |

| Pos | Part Number | Name | Remarks | Qty | Model | Pos | Part Number | Name | Remarks | Qty | Model |
|-----|----------------|-----------------|---------|-----|-------------------------|-----|----------------|-----------------|---------|-----|-----------------------------|
| | 9C6 | sand beige | | | | | 9E8 | palmgreen | | | |
| | 9D7 | sea blue | | | | (1) | 997 555 202 20 | door trim panel | /RL/R | 1 | CABRIO I099/680 |
| | 9E8 | palmgreen | | | | | | leatherette | | | |
| (1) | 997 555 201 22 | door trim panel | /L | 1 | CABRIO I537/680 | | 9L4 | black | | | |
| | | leatherette | | | | | 9M5 | stone grey | | | |
| | 9L4 | black | | | | | 9C6 | sand beige | | | |
| | 9M5 | stone grey | | | | | 9D7 | sea blue | | | |
| | 9C6 | sand beige | | | | | 9E8 | palmgreen | | | |
| | 9D7 | sea blue | | | | (1) | 997 555 202 22 | door trim panel | /R | 1 | CABRIO I538/680 |
| | 9E8 | palmgreen | | | | | | leatherette | | | |
| (1) | 997 555 202 28 | door trim panel | /LL/R | 1 | I098/680 | | 9L4 | black | | | |
| | | leatherette | | | | | 9M5 | stone grey | | | |
| | 9L4 | black | | | | | 9C6 | sand beige | | | |
| | 9M5 | stone grey | | | | | 9D7 | sea blue | | | |
| | 9C6 | sand beige | | | | | 9E8 | palmgreen | | | |
| | 9D7 | sea blue | | | | (1) | 997 555 201 28 | door trim panel | /RL/L | 1 | I099/680 |
| | 9E8 | palmgreen | | | | | | leatherette | | | |
| (1) | 997 555 202 08 | door trim panel | /RL/R | 1 | COUPE/TARGA I099/680 | | 9L4 | black | | | |
| | | leatherette | | | | | 9M5 | stone grey | | | |
| | 9L4 | black | | | | | 9C6 | sand beige | | | |
| | 9M5 | stone grey | | | | | 9D7 | sea blue | | | |
| | 9C6 | sand beige | | | | | 9E8 | palmgreen | | | |
| | 9D7 | sea blue | | | | (1) | 997 555 201 05 | door trim panel | /LL/L | 1 | COUPE/TARGA I098/490/981 |
| | 9E8 | palmgreen | | | | | | leather | | | |
| (1) | 997 555 202 10 | door trim panel | /R | 1 | COUPE/TARGA I538/680 | | FSA | black | | | |
| | | leatherette | | | | | FSB | stone grey | | | |
| | 9L4 | black | | | | | FSC | sand beige | | | |
| | 9M5 | stone grey | | | | | FSD | sea blue | | | |
| | 9C6 | sand beige | | | | | FSE | palmgreen | | | |
| | 9D7 | sea blue | | | | | FSF | terracotta | | | |

| | | | | | | | | | | | |
|-------|------|----|----|--------------|--------------|--------|------|------------|---------|-----|---------|
| Model | Year | MG | SG | Illustration | Restrictions | Update | | | | | |
| 997 | 07 | 8 | 07 | 807-10 | | 203 | 7:41 | 28.08.2006 | PORSCHE | PET | PORSCHE |

| Pos | Part Number | Name | Remarks | Qty | Model | Pos | Part Number | Name | Remarks | Qty | Model |
|-----|----------------|-----------------------|---------|-----|--------------------------|-----|----------------|-----------------------|---------|-----|---------------------|
| | | FSG cocoa | | | | | | FSH dark grey/natural | | | |
| | | FSH dark grey/natural | | | | | | FSJ brown/natural | | | |
| | | FSJ brown/natural | | | | | | BCD black/stone grey | 06- | | |
| | | BCD black/stone grey | 06- | | | | | BCE black/sand beige | 06 | | |
| | | BCE black/sand beige | 06 | | | | | BCF black/terracotta | 06- | | |
| | | BCF black/terracotta | 06- | | | (1) | 997 555 201 19 | door trim panel | /L | 1 | CABRIO I490/537/981 |
| (1) | 997 555 201 07 | door trim panel | /L | 1 | COUPE/TARGA I490/537/981 | | | leather | | | |
| | | leather | | | | | | FSA black | | | |
| | | FSA black | | | | | | FSB stone grey | | | |
| | | FSB stone grey | | | | | | FSC sand beige | | | |
| | | FSC sand beige | | | | | | FSD sea blue | | | |
| | | FSD sea blue | | | | | | FSE palmgreen | | | |
| | | FSE palmgreen | | | | | | FSF terracotta | | | |
| | | FSF terracotta | | | | | | FSG cocoa | | | |
| | | FSG cocoa | | | | | | FSH dark grey/natural | | | |
| | | FSH dark grey/natural | | | | | | FSJ brown/natural | | | |
| | | FSJ brown/natural | | | | | | BCD black/stone grey | 06- | | |
| | | BCD black/stone grey | 06- | | | | | BCE black/sand beige | 06 | | |
| | | BCE black/sand beige | 06 | | | | | BCF black/terracotta | 06- | | |
| | | BCF black/terracotta | 06- | | | (1) | 997 555 202 27 | door trim panel | /LL/R | 1 | I098/490/981 |
| (1) | 997 555 201 17 | door trim panel | /LL/L | 1 | CABRIO I098/490/981 | | | leather | | | |
| | | leather | | | | | | FSA black | | | |
| | | FSA black | | | | | | FSB stone grey | | | |
| | | FSB stone grey | | | | | | FSC sand beige | | | |
| | | FSC sand beige | | | | | | FSD sea blue | | | |
| | | FSD sea blue | | | | | | FSE palmgreen | | | |
| | | FSE palmgreen | | | | | | FSF terracotta | | | |
| | | FSF terracotta | | | | | | FSG cocoa | | | |
| | | FSG cocoa | | | | | | FSH dark grey/natural | | | |
| | | FSH dark grey/natural | | | | | | FSJ brown/natural | | | |
| | | FSJ brown/natural | | | | | | | | | |

| | | | | | | | | | | | |
|-------|------|----|----|--------------|--------------|--------|------|------------|---------|-----|---------|
| Model | Year | MG | SG | Illustration | Restrictions | Update | 7:41 | 28.08.2006 | PORSCHE | PET | PORSCHE |
| 997 | 07 | 8 | 07 | 807-10 | | 203 | | | | | |

| Pos | Part Number | Name | Remarks | Qty | Model | Pos | Part Number | Name | Remarks | Qty | Model |
|-----|----------------|-----------------------|---------|-----|-----------------------------|-----|-----------------------|-----------------|---------|-----|------------------------|
| | | BCD black/stone grey | 06- | | | | BCE black/sand beige | | 06- | | |
| | | BCE black/sand beige | 06 | | | | BCF black/terracotta | | 06- | | |
| | | BCF black/terracotta | 06- | | | (1) | 997 555 202 17 | door trim panel | /RL/R | 1 | CABRIO I099/490/981 |
| (1) | 997 555 202 05 | door trim panel | /RL/R | 1 | COUPE/TARGA I099/490/981 | | | leather | | | |
| | | FSA black | | | | | FSA black | | | | |
| | | FSB stone grey | | | | | FSB stone grey | | | | |
| | | FSC sand beige | | | | | FSC sand beige | | | | |
| | | FSD sea blue | | | | | FSD sea blue | | | | |
| | | FSE palmgreen | | | | | FSE palmgreen | | | | |
| | | FSF terracotta | | | | | FSF terracotta | | | | |
| | | FSG cocoa | | | | | FSG cocoa | | | | |
| | | FSH dark grey/natural | | | | | FSH dark grey/natural | | | | |
| | | FSJ brown/natural | | | | | FSJ brown/natural | | | | |
| | | BCD black/stone grey | 06- | | | | BCD black/stone grey | | 06- | | |
| | | BCE black/sand beige | 06- | | | | BCE black/sand beige | | 06- | | |
| | | BCF black/terracotta | 06- | | | | BCF black/terracotta | | 06- | | |
| (1) | 997 555 202 07 | door trim panel | /R | 1 | COUPE/TARGA I490/538/981 | (1) | 997 555 202 19 | door trim panel | /R | 1 | CABRIO I490/538/981 |
| | | leather | | | | | | leather | | | |
| | | FSA black | | | | | FSA black | | | | |
| | | FSB stone grey | | | | | FSB stone grey | | | | |
| | | FSC sand beige | | | | | FSC sand beige | | | | |
| | | FSD sea blue | | | | | FSD sea blue | | | | |
| | | FSE palmgreen | | | | | FSE palmgreen | | | | |
| | | FSF terracotta | | | | | FSF terracotta | | | | |
| | | FSG cocoa | | | | | FSG cocoa | | | | |
| | | FSH dark grey/natural | | | | | FSH dark grey/natural | | | | |
| | | FSJ brown/natural | | | | | FSJ brown/natural | | | | |
| | | BCD black/stone grey | 06- | | | | BCD black/stone grey | | 06- | | |
| | | BCD black/stone grey | 06- | | | | BCE black/sand beige | | 06- | | |

| | | | | | | | | | | | |
|-------|------|----|----|--------------|--------------|--------|------|------------|---------|-----|---------|
| Model | Year | MG | SG | Illustration | Restrictions | Update | 7:41 | 28.08.2006 | PORSCHE | PET | PORSCHE |
| 997 | 07 | 8 | 07 | 807-10 | | 203 | | | | | |

| Pos | Part Number | Name | Remarks | Qty | Model | Pos | Part Number | Name | Remarks | Qty | Model |
|-----|----------------|--|--------------|-----|-----------------------------|-----|-----------------------|----------------------------|---------|-----|-----------------------------|
| (1) | 997 555 201 27 | BCF black/terracotta door trim panel leather | 06- /RL/L | 1 | I099/490/981 | (1) | 997 555 201 11 | door trim panel leather | /L | 1 | COUPE/TARGA I537/680/981 |
| | | FSA black | | | | | FSA black | | | | |
| | | FSB stone grey | | | | | FSB stone grey | | | | |
| | | FSC sand beige | | | | | FSC sand beige | | | | |
| | | FSD sea blue | | | | | FSD sea blue | | | | |
| | | FSE palmgreen | | | | | FSE palmgreen | | | | |
| | | FSF terracotta | | | | | FSF terracotta | | | | |
| | | FSG cocoa | | | | | FSG cocoa | | | | |
| | | FSH dark grey/natural | | | | | FSH dark grey/natural | | | | |
| | | FSJ brown/natural | | | | | FSJ brown/natural | | | | |
| | | BCD black/stone grey | 06- | | | | BCD black/stone grey | 06- | | | |
| | | BCE black/sand beige | 06- | | | | BCE black/sand beige | 06- | | | |
| | | BCF black/terracotta | 06- | | | | BCF black/terracotta | 06- | | | |
| (1) | 997 555 201 09 | door trim panel leather | /LL/L | 1 | COUPE/TARGA I098/680/981 | (1) | 997 555 201 21 | door trim panel leather | /LL/L | 1 | CABRIO I098/680/981 |
| | | FSA black | | | | | FSA black | | | | |
| | | FSB stone grey | | | | | FSB stone grey | | | | |
| | | FSC sand beige | | | | | FSC sand beige | | | | |
| | | FSD sea blue | | | | | FSD sea blue | | | | |
| | | FSE palmgreen | | | | | FSE palmgreen | | | | |
| | | FSF terracotta | | | | | FSF terracotta | | | | |
| | | FSG cocoa | | | | | FSG cocoa | | | | |
| | | FSH dark grey/natural | | | | | FSH dark grey/natural | | | | |
| | | FSJ brown/natural | | | | | FSJ brown/natural | | | | |
| | | BCD black/stone grey | 06- | | | | BCD black/stone grey | 06- | | | |
| | | BCE black/sand beige | 06- | | | | BCE black/sand beige | 06- | | | |
| | | BCF black/terracotta | 06- | | | | BCF black/terracotta | 06- | | | |

| | | | | | | | | | | | |
|-------|------|----|----|--------------|--------------|--------|------|------------|---------|-----|---------|
| Model | Year | MG | SG | Illustration | Restrictions | Update | 7:41 | 28.08.2006 | PORSCHE | PET | PORSCHE |
| 997 | 07 | 8 | 07 | 807-10 | | 203 | | | | | |

| Pos | Part Number | Name | Remarks | Qty | Model | Pos | Part Number | Name | Remarks | Qty | Model |
|-----|----------------|--|---------|-----|-----------------------------|-----|--|--|---------|-----|-----------------------------|
| (1) | 997 555 201 23 | door trim panel leather FSA black FSB stone grey FSC sand beige FSD sea blue FSE palmgreen FSF terracotta FSG cocoa FSH dark grey/natural FSJ brown/natural BCD black/stone grey BCE black/sand beige BCF black/terraccotta | /L | 1 | CABRIO I537/680/981 | | FSA black FSB stone grey FSC sand beige FSD sea blue FSE palmgreen FSF terracotta FSG cocoa FSH dark grey/natural FSJ brown/natural BCD black/stone grey BCE black/sand beige BCF black/terraccotta | | | | |
| (1) | 997 555 202 29 | door trim panel leather FSA black FSB stone grey FSC sand beige FSD sea blue FSE palmgreen FSF terracotta FSG cocoa FSH dark grey/natural FSJ brown/natural BCD black/stone grey BCE black/sand beige BCF black/terraccotta | /LL/R | 1 | I098/680/981 | (1) | 997 555 202 11 | door trim panel leather FSA black FSB stone grey FSC sand beige FSD sea blue FSE palmgreen FSF terracotta FSG cocoa FSH dark grey/natural FSJ brown/natural BCD black/stone grey BCE black/sand beige BCF black/terraccotta | /R | 1 | COUPE/TARGA I538/680/981 |
| (1) | 997 555 202 09 | door trim panel leather | /RL/R | 1 | COUPE/TARGA I099/680/981 | (1) | 997 555 202 21 | door trim panel leather FSA black | /RL/R | 1 | CABRIO I099/680/981 |

| | | | | | | | | | | | |
|-------|------|----|----|--------------|--------------|--------|------|------------|---------|-----|---------|
| Model | Year | MG | SG | Illustration | Restrictions | Update | 7:41 | 28.08.2006 | PORSCHE | PET | PORSCHE |
| 997 | 07 | 8 | 07 | 807-10 | | 203 | | | | | |

| Pos | Part Number | Name | Remarks | Qty | Model | Pos | Part Number | Name | Remarks | Qty | Model |
|-----|----------------|----------------------------|---------|-----|------------------------|-----|-----------------------|--|---------|-----|-------|
| | | FSB stone grey | | | | | FSD sea blue | | | | |
| | | FSC sand beige | | | | | FSE palmgreen | | | | |
| | | FSD sea blue | | | | | FSF terracotta | | | | |
| | | FSE palmgreen | | | | | FSG cocoa | | | | |
| | | FSF terracotta | | | | | FSH dark grey/natural | | | | |
| | | FSG cocoa | | | | | FSJ brown/natural | | | | |
| | | FSH dark grey/natural | | | | | BCD black/stone grey | 06- | | | |
| | | FSJ brown/natural | | | | | BCE black/sand beige | 06- | | | |
| | | BCD black/stone grey | 06- | | | | BCF black/terracotta | 06- | | | |
| | | BCE black/sand beige | 06- | | | 2 | 999 507 533 02 | clamp 8,0X 10/2,5 | | 2 | |
| | | BCF black/terracotta | 06- | | | 3 | 955 555 243 00 | fixing clip for mount door trim panel | | 9 | |
| (1) | 997 555 202 23 | door trim panel leather | /R | 1 | CABRIO I538/680/981 | 4 | 999 073 322 02 | oval-head screw M 6 X 20 for mount door trim panel | | 5 | |
| | | FSA black | | | | 5 | 997 555 221 01 | cover shelf | /L | 1 | |
| | | FSB stone grey | | | | | FSA black | | | | |
| | | FSC sand beige | | | | | FSB stone grey | | | | |
| | | FSD sea blue | | | | | FSC sand beige | | | | |
| | | FSE palmgreen | | | | | FSD sea blue | | | | |
| | | FSF terracotta | | | | | FSE palmgreen | | | | |
| | | FSG cocoa | | | | | FSF terracotta | | | | |
| | | FSH dark grey/natural | | | | | FSG cocoa | | | | |
| | | FSJ brown/natural | | | | | FSH dark grey/natural | | | | |
| | | BCD black/stone grey | 06- | | | | FSJ brown/natural | | | | |
| | | BCE black/sand beige | 06- | | | | FSJ brown/natural | | | | |
| | | BCF black/terracotta | 06- | | | | (5) 997 555 222 01 | cover shelf | /R | 1 | |
| (1) | 997 555 201 29 | door trim panel leather | /RL/L | 1 | I099/680/981 | | FSA black | | | | |
| | | FSA black | | | | | FSB stone grey | | | | |
| | | FSB stone grey | | | | | FSC sand beige | | | | |
| | | FSC sand beige | | | | | | | | | |

| | | | | | | | | | | | |
|-------|------|----|----|--------------|--------------|--------|------|------------|---------|-----|---------|
| Model | Year | MG | SG | Illustration | Restrictions | Update | 7:41 | 28.08.2006 | PORSCHE | PET | PORSCHE |
| 997 | 07 | 8 | 07 | 807-10 | | 203 | | | | | |

| Pos | Part Number | Name | Remarks | Qty | Model | Pos | Part Number | Name | Remarks | Qty | Model |
|-----|----------------|-----------------------|---------|-----|-------|-----|----------------|------------------------|---------|-----|-------|
| | | FSB stone grey | | | | 6 | 997 555 833 00 | spring for cover shelf | /L | 1 | |
| | | FSC sand beige | | | | | | | | | |
| | | FSD sea blue | | | | | | | | | |
| | | FSE palmgreen | | | | (6) | 997 555 834 00 | spring for cover shelf | /R | 1 | |
| | | FSF terracotta | | | | | | | | | |
| | | FSG cocoa | | | | 7 | 997 555 841 00 | damper shelf | | 1 | |
| | | FSH dark grey/natural | | | | | | | | | |
| | | FSJ brown/natural | | | | (8) | 997 555 261 01 | handle lower part | /L | 1 | |
| (5) | 997 555 989 00 | cover shelf carbon | /L | 1 | XTL | | A11 | black | | | |
| | | A35 black | | | | | 5X6 | stone grey | | | |
| (5) | 997 555 990 00 | cover shelf carbon | /R | 1 | XTL | | 8G2 | sand beige | | | |
| | | A35 black | | | | | 3S9 | sea blue | | | |
| (5) | 997 555 989 01 | cover shelf | /L | 1 | XTU | | 4P2 | palmgreen | | | |
| | | S62 sycamore wood | | | | | 9S5 | terracotta | | | |
| (5) | 997 555 990 01 | cover shelf | /R | 1 | XTU | | 9V6 | cocoa | | | |
| | | S62 sycamore wood | | | | | D12 | dark grey/natural | | | |
| (5) | 997 555 989 02 | cover shelf | /L | 1 | XTT | | T12 | brown/natural | | | |
| | | S61 makassar | | | | (8) | 997 555 262 01 | handle lower part | /R | 1 | |
| (5) | 997 555 990 02 | cover shelf | /R | 1 | XTT | | A11 | black | | | |
| | | S61 makassar | | | | | 5X6 | stone grey | | | |
| (5) | 997 555 989 03 | cover shelf | /L | 1 | XTW | | 8G2 | sand beige | | | |
| | | V04 galvano silver | | | | | 3S9 | sea blue | | | |
| (5) | 997 555 990 03 | cover shelf | /R | 1 | XTW | | 4P2 | palmgreen | | | |
| | | V04 galvano silver | | | | | 9S5 | terracotta | | | |
| | | | | | | | 9V6 | cocoa | | | |
| | | | | | | | D12 | dark grey/natural | | | |
| | | | | | | | T12 | brown/natural | | | |

| | | | | | | | | | | | |
|-------|------|----|----|--------------|--------------|--------|------|------------|---------|-----|---------|
| Model | Year | MG | SG | Illustration | Restrictions | Update | | | | | |
| 997 | 07 | 8 | 07 | 807-10 | | 203 | 7:41 | 28.08.2006 | PORSCHE | PET | PORSCHE |

| Pos | Part Number | Name | Remarks | Qty | Model | Pos | Part Number | Name | Remarks | Qty | Model |
|------|----------------|---|---------|-----|-------|------|----------------|-----------------------------|---------|-----|-------|
| 9 | 999 919 229 02 | oval-head screw 6,0 X 40,0 for mount handle | | 2 | | | 5Z1 | sand beige | | | |
| | | | | | | | 8W7 | sea blue | | | |
| | | | | | | | 5Y2 | palmgreen | | | |
| 10 | 997 555 381 01 | mounting for shaft | /L | 1 | | | 8X8 | terracotta | | | |
| (10) | 997 555 382 01 | mounting for shaft | /R | 1 | | | 8P9 | cocoa | | | |
| 11 | 999 919 164 09 | oval-head screw 5 X 12 for mount mounting for shaft | | 3 | | | T13 | brown/natural | | | |
| | | | | | | 15 | 997 555 643 01 | cover front lacquered | /L | 1 | |
| 12 | 997 555 461 00 | lever door opener | /L | 1 | | | A03 | black | | | |
| | V05 | galvano silver | | | | | 5V7 | stone grey | | | |
| (12) | 997 555 462 00 | lever door opener | /R | 1 | | | 5Z1 | sand beige | | | |
| | V05 | galvano silver | | | | | 8W7 | sea blue | | | |
| 13 | 999 919 164 09 | oval-head screw 5 X 12 for mount lever door opener | | 1 | | | 5Y2 | palmgreen | | | |
| | | | | | | | 8X8 | terracotta | | | |
| | | | | | | | 8P9 | cocoa | | | |
| 14 | 997 555 683 00 | cap airbag | /L | 1 | | (15) | 997 555 644 01 | cover front lacquered | /R | 1 | |
| | A03 | black | | | | | A03 | black | | | |
| | 5V7 | stone grey | | | | | 5V7 | stone grey | | | |
| | 5Z1 | sand beige | | | | | 5Z1 | sand beige | | | |
| | 8W7 | sea blue | | | | | 8W7 | sea blue | | | |
| | 5Y2 | palmgreen | | | | | 5Y2 | palmgreen | | | |
| | 8X8 | terracotta | | | | | 8X8 | terracotta | | | |
| | 8P9 | cocoa | | | | | 8P9 | cocoa | | | |
| | T13 | brown/natural | | | | | T13 | brown/natural | | | |
| (14) | 997 555 684 00 | cap airbag | /R | 1 | | 16 | 997 555 431 01 | cover door handle | /L | 1 | |
| | A03 | black | | | | | FSA | black | | | |
| | 5V7 | stone grey | | | | | FSB | stone grey | | | |

| | | | | | | | | | | | |
|-------|------|----|----|--------------|--------------|--------|------|------------|---------|-----|---------|
| Model | Year | MG | SG | Illustration | Restrictions | Update | 7:41 | 28.08.2006 | PORSCHE | PET | PORSCHE |
| 997 | 07 | 8 | 07 | 807-10 | | 203 | | | | | |

| Pos | Part Number | Name | Remarks | Qty | Model | Pos | Part Number | Name | Remarks | Qty | Model |
|------|----------------|--------------------------|---------|-----|-------|------|----------------|---------------------------------|---------|-----|-------|
| (16) | 997 555 432 01 | cover door handle | /R | 1 | | (16) | 997 555 992 00 | cover door handle carbon | /R | 1 | XTL |
| | FSC | sand beige | | | | | A11 | black | | | |
| | FSD | sea blue | | | | | 5X6 | stone grey | | | |
| | FSE | palmgreen | | | | | 8G2 | sand beige | | | |
| | FSF | terracotta | | | | | 3S9 | sea blue | | | |
| | FSG | cocoa | | | | | 4P2 | palmgreen | | | |
| | FSH | dark grey/natural | | | | | 9S5 | terracotta | | | |
| | FSJ | brown/natural | | | | | 9V6 | cocoa | | | |
| | FSA | black | | | | | D12 | dark grey/natural | | | |
| | FSB | stone grey | | | | | T12 | brown/natural | | | |
| (16) | 997 555 991 00 | cover door handle carbon | /L | 1 | XTL | (16) | 997 555 991 01 | cover door handle sycamore wood | /L | 1 | XTU |
| | FSC | sand beige | | | | | A11 | black | | | |
| | FSD | sea blue | | | | | 5X6 | stone grey | | | |
| | FSE | palmgreen | | | | | 8G2 | sand beige | | | |
| | FSF | terracotta | | | | | 3S9 | sea blue | | | |
| | FSG | cocoa | | | | | 4P2 | palmgreen | | | |
| | FSH | dark grey/natural | | | | | 9S5 | terracotta | | | |
| | FSJ | brown/natural | | | | | 9V6 | cocoa | | | |
| | A11 | black | | | | | D12 | dark grey/natural | | | |
| | 5X6 | stone grey | | | | | T12 | brown/natural | | | |
| | 8G2 | sand beige | | | | (16) | 997 555 992 01 | cover door handle sycamore wood | /R | 1 | XTU |
| | 3S9 | sea blue | | | | | A11 | black | | | |
| | 4P2 | palmgreen | | | | | 5X6 | stone grey | | | |
| | 9S5 | terracotta | | | | | 8G2 | sand beige | | | |
| | 9V6 | cocoa | | | | | 3S9 | sea blue | | | |
| | D12 | dark grey/natural | | | | | 4P2 | palmgreen | | | |
| | T12 | brown/natural | | | | | | | | | |

| | | | | | | | | | | | |
|-------|------|----|----|--------------|--------------|--------|------|------------|---------|-----|---------|
| Model | Year | MG | SG | Illustration | Restrictions | Update | | | | | |
| 997 | 07 | 8 | 07 | 807-10 | | 203 | 7:41 | 28.08.2006 | PORSCHE | PET | PORSCHE |

| Pos | Part Number | Name | Remarks | Qty | Model | Pos | Part Number | Name | Remarks | Qty | Model |
|------|----------------|----------------------------------|---------|-----|-------|------|----------------|---|---------|-----|-------|
| | | 9S5 terracotta | | | | | | 5X6 stone grey | | | |
| | | 9V6 cocoa | | | | | | 8G2 sand beige | | | |
| | | D12 dark grey/natural | | | | | | 3S9 sea blue | | | |
| | | T12 brown/natural | | | | | | 4P2 palmgreen | | | |
| (16) | 997 555 991 02 | cover door handle makassar | /L | 1 | XTT | | | 9S5 terracotta | | | |
| | | A11 black | | | | | | 9V6 cocoa | | | |
| | | 5X6 stone grey | | | | | | D12 dark grey/natural | | | |
| | | 8G2 sand beige | | | | (16) | 997 555 992 03 | cover door handle aluminium look | /R | 1 | XTW |
| | | 3S9 sea blue | | | | | | A11 black | | | |
| | | 4P2 palmgreen | | | | | | 5X6 stone grey | | | |
| | | 9S5 terracotta | | | | | | 8G2 sand beige | | | |
| | | 9V6 cocoa | | | | | | 3S9 sea blue | | | |
| | | D12 dark grey/natural | | | | | | 4P2 palmgreen | | | |
| | | T12 brown/natural | | | | | | 9S5 terracotta | | | |
| (16) | 997 555 992 02 | cover door handle makassar | /R | 1 | XTT | | | 9V6 cocoa | | | |
| | | A11 black | | | | | | D12 dark grey/natural | | | |
| | | 5X6 stone grey | | | | | | T12 brown/natural | | | |
| | | 8G2 sand beige | | | | 17 | 999 591 380 02 | cable clamp | | 4 | |
| | | 3S9 sea blue | | | | 18 | 997 555 685 02 | cover door mirror driver's side lacquered | /LL | 1 | I 098 |
| | | 4P2 palmgreen | | | | | | A03 black | | | |
| | | 9S5 terracotta | | | | | | 5V7 stone grey | | | |
| | | 9V6 cocoa | | | | | | 5Z1 sand beige | | | |
| | | D12 dark grey/natural | | | | | | 8W7 sea blue | | | |
| | | T12 brown/natural | | | | | | 5Y2 palmgreen | | | |
| (16) | 997 555 991 03 | cover door handle aluminium look | /L | 1 | XTW | | | 8X8 terracotta | | | |
| | | A11 black | | | | | | 8P9 cocoa | | | |

| | | | | | | | | | | | |
|-------|------|----|----|--------------|--------------|--------|------|------------|---------|-----|---------|
| Model | Year | MG | SG | Illustration | Restrictions | Update | | | | | |
| 997 | 07 | 8 | 07 | 807-10 | | 203 | 7:41 | 28.08.2006 | PORSCHE | PET | PORSCHE |

| Pos | Part Number | Name | Remarks | Qty | Model | Pos | Part Number | Name | Remarks | Qty | Model |
|------|----------------|--|---------|-----|-------|------|----------------|---|---------|-----|-------|
| (18) | 997 555 686 03 | T13 brown/natural cover door mirror driver's side lacquered | /RL | 1 | I 099 | 19 | 997 555 577 00 | 8X8 terracotta 8P9 cocoa T13 brown/natural cap handle liner | | 1 | |
| | A03 | black | | | | | A03 | black | | | |
| | 5V7 | stone grey | | | | | 5V7 | stone grey | | | |
| | 5Z1 | sand beige | | | | | 8W7 | sea blue | | | |
| | 8W7 | sea blue | | | | | 5Y2 | palmgreen | | | |
| | 5Y2 | palmgreen | | | | | 8X8 | terracotta | | | |
| | 8X8 | terracotta | | | | | 8P9 | cocoa | | | |
| | 8P9 | cocoa | | | | | T13 | brown/natural | | | |
| (18) | 997 555 686 02 | T13 brown/natural cover door mirror passenger's side lacquered | /LL | 1 | I098 | 20 | 997 555 895 00 | T13 brown/natural plastic foam strip for woofer | | 1 | |
| | A03 | black | | | | 21 | 997 645 511 00 | logo | | 2 | I680 |
| | 5V7 | stone grey | | | | 22 | 997 555 597 00 | spacer lid hinge | | 2 | |
| | 5Z1 | sand beige | | | | 23 | 999 702 281 40 | grommet mounting for shaft | | 1 | |
| | 8W7 | sea blue | | | | 24 | 997 555 271 01 | handle upper part | /L | 1 | |
| | 5Y2 | palmgreen | | | | | FSA | black | | | |
| | 8X8 | terracotta | | | | | FSB | stone grey | | | |
| | 8P9 | cocoa | | | | | FSC | sand beige | | | |
| (18) | 997 555 685 03 | T13 brown/natural cover door mirror passenger's side lacquered | /RL | 1 | I099 | | FSD | sea blue | | | |
| | A03 | black | | | | | FSE | palmgreen | | | |
| | 5V7 | stone grey | | | | | FSF | terracotta | | | |
| | 5Z1 | sand beige | | | | | FSG | cocoa | | | |
| | 8W7 | sea blue | | | | | FSH | dark grey/natural | | | |
| | 5Y2 | palmgreen | | | | (24) | 997 555 272 01 | handle upper part | /R | 1 | |

| | | | | | | | | | | | |
|-------|------|----|----|--------------|--------------|--------|------|------------|---------|-----|---------|
| Model | Year | MG | SG | Illustration | Restrictions | Update | 7:41 | 28.08.2006 | PORSCHE | PET | PORSCHE |
| 997 | 07 | 8 | 07 | 807-10 | | 203 | | | | | |

| Pos | Part Number | Name | Remarks | Qty | Model | Pos | Part Number | Name | Remarks | Qty | Model |
|------|----------------|--------------------------------|---------|-----|-------|------|----------------|-------------------------------------|---------|-----|-------------|
| | FSA | black | | | | | V04 | galvano silver | | | |
| | FSB | stone grey | | | | 25 | 997 555 351 03 | insert handle liner lacquered | /LL/L | 1 | COUPE/I098 |
| | FSC | sand beige | | | | | A03 | black | | | |
| | FSD | sea blue | | | | | 5V7 | stone grey | | | |
| | FSE | palmgreen | | | | | 5Z1 | sand beige | | | |
| | FSF | terracotta | | | | | 8W7 | sea blue | | | |
| | FSG | cocoa | | | | | 5Y2 | palmgreen | | | |
| | FSH | dark grey/natural | | | | | 8X8 | terracotta | | | |
| | FSJ | brown/natural | | | | | 8P9 | cocoa | | | |
| (24) | 997 555 987 00 | handle upper part carbon | /L | 1 | IXTL | | T13 | brown/natural | | | |
| | A35 | black | | | | (25) | 997 555 352 03 | insert handle liner lacquered | /RL/R | 1 | COUPE/I099 |
| (24) | 997 555 988 00 | handle upper part carbon | /R | 1 | IXTL | | A03 | black | | | |
| | A35 | black | | | | | 5V7 | stone grey | | | |
| (24) | 997 555 987 01 | handle upper part | /L | 1 | IXTU | | 5Z1 | sand beige | | | |
| | S62 | sycamore wood | | | | | 8W7 | sea blue | | | |
| (24) | 997 555 988 01 | handle upper part | /R | 1 | IXTU | | 5Y2 | palmgreen | | | |
| | S62 | sycamore wood | | | | | 8X8 | terracotta | | | |
| (24) | 997 555 987 02 | handle upper part | /L | 1 | IXTT | | 8P9 | cocoa | | | |
| | S61 | makassar | | | | (25) | T13 | brown/natural | | | |
| (24) | 997 555 988 02 | handle upper part | /R | 1 | IXTT | | 997 555 351 05 | insert handle liner lacquered | /LL/L | 1 | CABRIO/I098 |
| | S61 | makassar | | | | | A03 | black | | | |
| (24) | 997 555 987 03 | handle upper part | /L | 1 | IXTW | | 5V7 | stone grey | | | |
| | V04 | galvano silver | | | | | 5Z1 | sand beige | | | |
| (24) | 997 555 988 03 | handle upper part | /R | 1 | IXTW | | 8W7 | sea blue | | | |
| | | | | | | | 5Y2 | palmgreen | | | |
| | | | | | | | 8X8 | terracotta | | | |

| | | | | | | | | | | | |
|-------|------|----|----|--------------|--------------|--------|------|------------|---------|-----|---------|
| Model | Year | MG | SG | Illustration | Restrictions | Update | 7:41 | 28.08.2006 | PORSCHE | PET | PORSCHE |
| 997 | 07 | 8 | 07 | 807-10 | | 203 | | | | | |

| Pos | Part Number | Name | Remarks | Qty | Model | Pos | Part Number | Name | Remarks | Qty | Model |
|------|----------------|---|---------|-----|-------------|------|----------------|---|---------|-----|-----------------|
| (25) | 997 555 352 05 | 8P9 cocoa T13 brown/natural insert handle liner lacquered | /RL/R | 1 | CABRIO/I099 | 25 | 997 555 985 00 | 8X8 terracotta 8P9 cocoa T13 brown/natural insert handle liner leather | /LL/L | 1 | COUPE/IXTV/098 |
| | | A03 black | | | | | | A11 black | | | |
| | | 5V7 stone grey | | | | | | 5X6 stone grey | | | |
| | | 5Z1 sand beige | | | | | | 8G2 sand beige | | | |
| | | 8W7 sea blue | | | | | | 3S9 sea blue | | | |
| | | 5Y2 palmgreen | | | | | | 4P2 palmgreen | | | |
| | | 8X8 terracotta | | | | | | 9S5 terracotta | | | |
| | | 8P9 cocoa | | | | | | 9V6 cocoa | | | |
| | | T13 brown/natural | | | | | | D12 dark grey/natural | | | |
| | | | | | | | | T12 brown/natural | | | |
| (25) | 997 555 352 04 | insert handle liner lacquered | /LL/R | 1 | I098 | (25) | 997 555 986 01 | insert handle liner leather | /RL/R | 1 | COUPE/IXTV/099 |
| | | A03 black | | | | | | A11 black | | | |
| | | 5V7 stone grey | | | | | | 5X6 stone grey | | | |
| | | 5Z1 sand beige | | | | | | 8G2 sand beige | | | |
| | | 8W7 sea blue | | | | | | 3S9 sea blue | | | |
| | | 5Y2 palmgreen | | | | | | 4P2 palmgreen | | | |
| | | 8X8 terracotta | | | | | | 9S5 terracotta | | | |
| | | 8P9 cocoa | | | | | | 9V6 cocoa | | | |
| | | T13 brown/natural | | | | | | D12 dark grey/natural | | | |
| | | | | | | | | T12 brown/natural | | | |
| (25) | 997 555 351 04 | insert handle liner lacquered | /RL/L | 1 | I099 | (25) | 997 555 985 01 | insert handle liner leather | /LL/L | 1 | CABRIO/IXTV/098 |
| | | A03 black | | | | | | A11 black | | | |

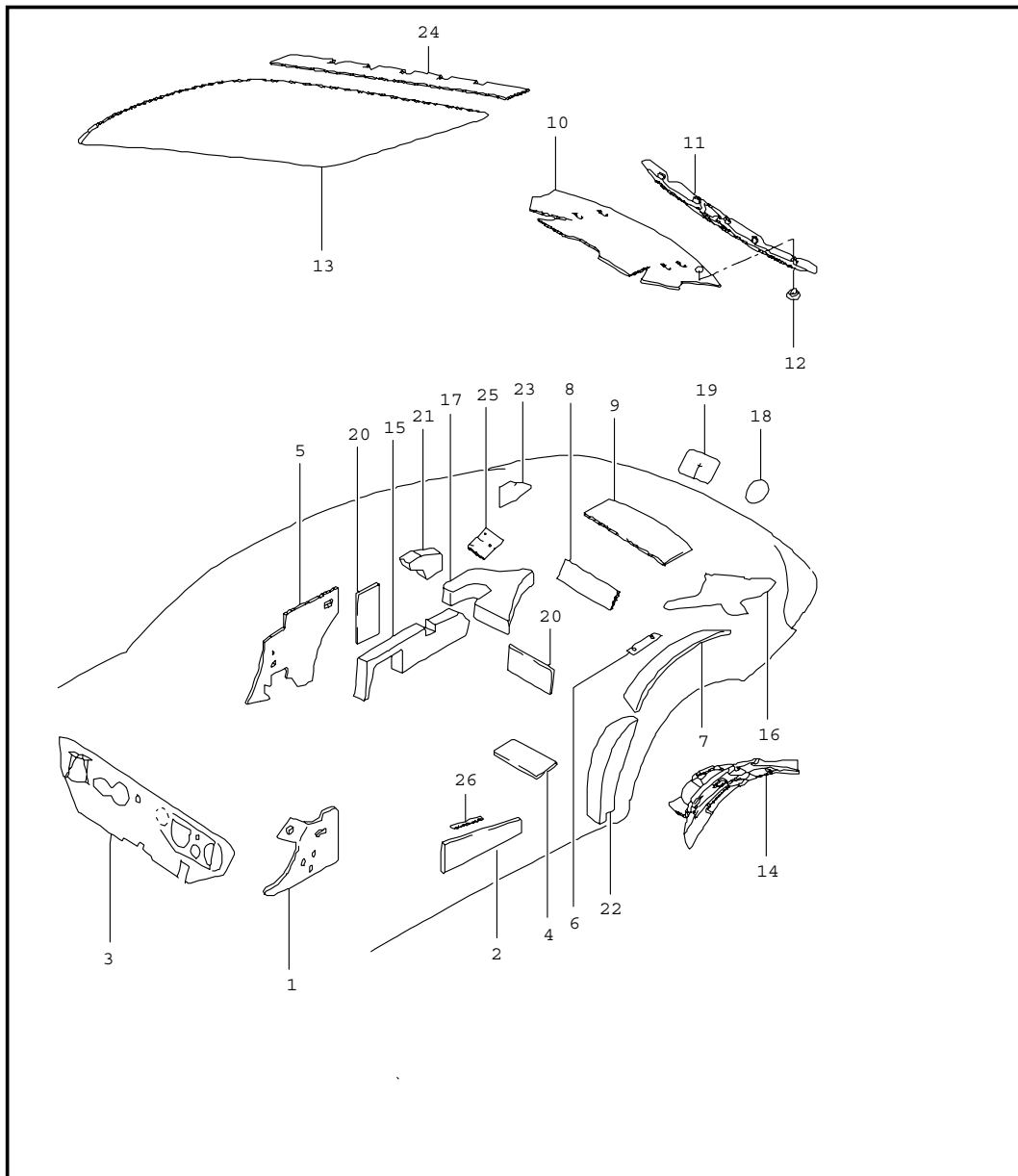
| | | | | | | | | | | | |
|-------|------|----|----|--------------|--------------|--------|------|------------|---------|-----|---------|
| Model | Year | MG | SG | Illustration | Restrictions | Update | 7:41 | 28.08.2006 | PORSCHE | PET | PORSCHE |
| 997 | 07 | 8 | 07 | 807-10 | | 203 | | | | | |

| Pos | Part Number | Name | Remarks | Qty | Model | Pos | Part Number | Name | Remarks | Qty | Model |
|------|----------------|-----------------------------------|---------|-----|---------------------|------|----------------|-----------------------------------|---------|-----|---------------------|
| | 5X6 | stone grey | | | | | T12 | brown/natural | | | |
| | 8G2 | sand beige | | | | (25) | 997 555 985 02 | insert handle liner leather | /RL/L | 1 | IXTV/099 |
| | 3S9 | sea blue | | | | | A11 | black | | | |
| | 4P2 | palmgreen | | | | | 5X6 | stone grey | | | |
| | 9S5 | terracotta | | | | | 8G2 | sand beige | | | |
| | 9V6 | cocoa | | | | | 3S9 | sea blue | | | |
| | D12 | dark grey/natural | | | | | 4P2 | palmgreen | | | |
| | T12 | brown/natural | | | | | 9S5 | terracotta | | | |
| (25) | 997 555 986 02 | insert handle liner leather | /RL/R | 1 | CABRIO/ IXTV/099 | | 9V6 | cocoa | | | |
| | A11 | black | | | | | D12 | dark grey/natural | | | |
| | 5X6 | stone grey | | | | | T12 | brown/natural | | | |
| | 8G2 | sand beige | | | | 25 | 997 555 985 03 | insert handle liner carbon | /LL/L | 1 | COUPE/ IXTL/098 |
| | 3S9 | sea blue | | | | | A35 | black | | | |
| | 4P2 | palmgreen | | | | (25) | 997 555 986 04 | insert handle liner carbon | /RL/R | 1 | COUPE/ IXTL/099 |
| | 9S5 | terracotta | | | | | A35 | black | | | |
| | 9V6 | cocoa | | | | (25) | 997 555 985 04 | insert handle liner carbon | /LL/L | 1 | CABRIO/ IXTL/098 |
| | D12 | dark grey/natural | | | | | A35 | black | | | |
| (25) | 997 555 986 00 | insert handle liner leather | /LL/R | 1 | IXTV/098 | | 997 555 986 05 | insert handle liner carbon | /RL/R | 1 | CABRIO/ IXTL/099 |
| | A11 | black | | | | | A35 | black | | | |
| | 5X6 | stone grey | | | | (25) | 997 555 986 03 | insert handle liner carbon | /LL/R | 1 | IXTL/098 |
| | 8G2 | sand beige | | | | | A35 | black | | | |
| | 3S9 | sea blue | | | | | | | | | |
| | 4P2 | palmgreen | | | | | | | | | |
| | 9S5 | terracotta | | | | | | | | | |
| | 9V6 | cocoa | | | | | | | | | |
| | D12 | dark grey/natural | | | | | | | | | |

| | | | | | | | | | | | |
|-------|------|----|----|--------------|--------------|--------|------|------------|---------|-----|---------|
| Model | Year | MG | SG | Illustration | Restrictions | Update | 7:41 | 28.08.2006 | PORSCHE | PET | PORSCHE |
| 997 | 07 | 8 | 07 | 807-10 | | 203 | | | | | |

| Pos | Part Number | Name | Remarks | Qty | Model | Pos | Part Number | Name | Remarks | Qty | Model |
|------|----------------|----------------------------------|---------|-----|---------------------|------|----------------|------------------------|---------|-----|---------------------|
| (25) | 997 555 985 05 | insert handle liner carbon | /RL/L | 1 | IXTL/099 | (25) | 997 555 986 11 | insert handle liner | /RL/R | 1 | CABRIO/ IXTT/099 |
| | A35 | black | | | | | S61 | makassar | | | |
| (25) | 997 555 985 06 | insert handle liner | /LL/L | 1 | COUPE/ IXTU/098 | (25) | 997 555 986 09 | insert handle liner | /LL/R | 1 | IXTT/098 |
| | S62 | sycamore wood | | | | | S61 | makassar | | | |
| (25) | 997 555 986 07 | insert handle liner | /RL/R | 1 | COUPE/ IXTU/099 | (25) | 997 555 985 11 | insert handle liner | /RL/L | 1 | IXTT/099 |
| | S62 | sycamore wood | | | | 25 | 997 555 985 12 | insert handle liner | /LL/L | 1 | COUPE/ IXTW/098 |
| (25) | 997 555 985 07 | insert handle liner | /LL/L | 1 | CABRIO/ IXTU/098 | | V04 | galvano silver | | | |
| | S62 | sycamore wood | | | | (25) | 997 555 986 13 | insert handle liner | /RL/R | 1 | COUPE/ IXTW/099 |
| (25) | 997 555 986 08 | insert handle liner | /RL/R | 1 | CABRIO/ IXTU/099 | | V04 | galvano silver | | | |
| | S62 | sycamore wood | | | | (25) | 997 555 985 13 | insert handle liner | /LL/L | 1 | CABRIO/ IXTW/098 |
| (25) | 997 555 986 06 | insert handle liner | /LL/R | 1 | IXTU/098 | | V04 | galvano silver | | | |
| | S62 | sycamore wood | | | | (25) | 997 555 986 14 | insert handle liner | /RL/R | 1 | CABRIO/ IXTW/099 |
| (25) | 997 555 985 08 | insert handle liner | /RL/L | 1 | IXTU/099 | | V04 | galvano silver | | | |
| | S62 | sycamore wood | | | | (25) | 997 555 986 12 | insert handle liner | /LL/R | 1 | IXTW/098 |
| 25 | 997 555 985 09 | insert handle liner | /LL/L | 1 | COUPE/ IXTT/098 | | V04 | galvano silver | | | |
| | S61 | makassar | | | | (25) | 997 555 985 14 | insert handle liner | /RL/L | 1 | IXTW/099 |
| (25) | 997 555 986 10 | insert handle liner | /RL/R | 1 | COUPE/ IXTT/099 | | V04 | galvano silver | | | |
| | S61 | makassar | | | | 26 N | 997 555 577 00 | cap | | 2 | |
| (25) | 997 555 985 10 | insert handle liner | /LL/L | 1 | CABRIO/ IXTT/098 | | | - - - E N D - - - | | | |
| | S61 | makassar | | | | | | | | | |

| | | | | | | | | | | | |
|-------|------|----|----|--------------|--------------|--------|------|------------|---------|-----|---------|
| Model | Year | MG | SG | Illustration | Restrictions | Update | 7:41 | 28.08.2006 | PORSCHE | PET | PORSCHE |
| 997 | 07 | 8 | 07 | 807-15 | | 203 | | | | | |

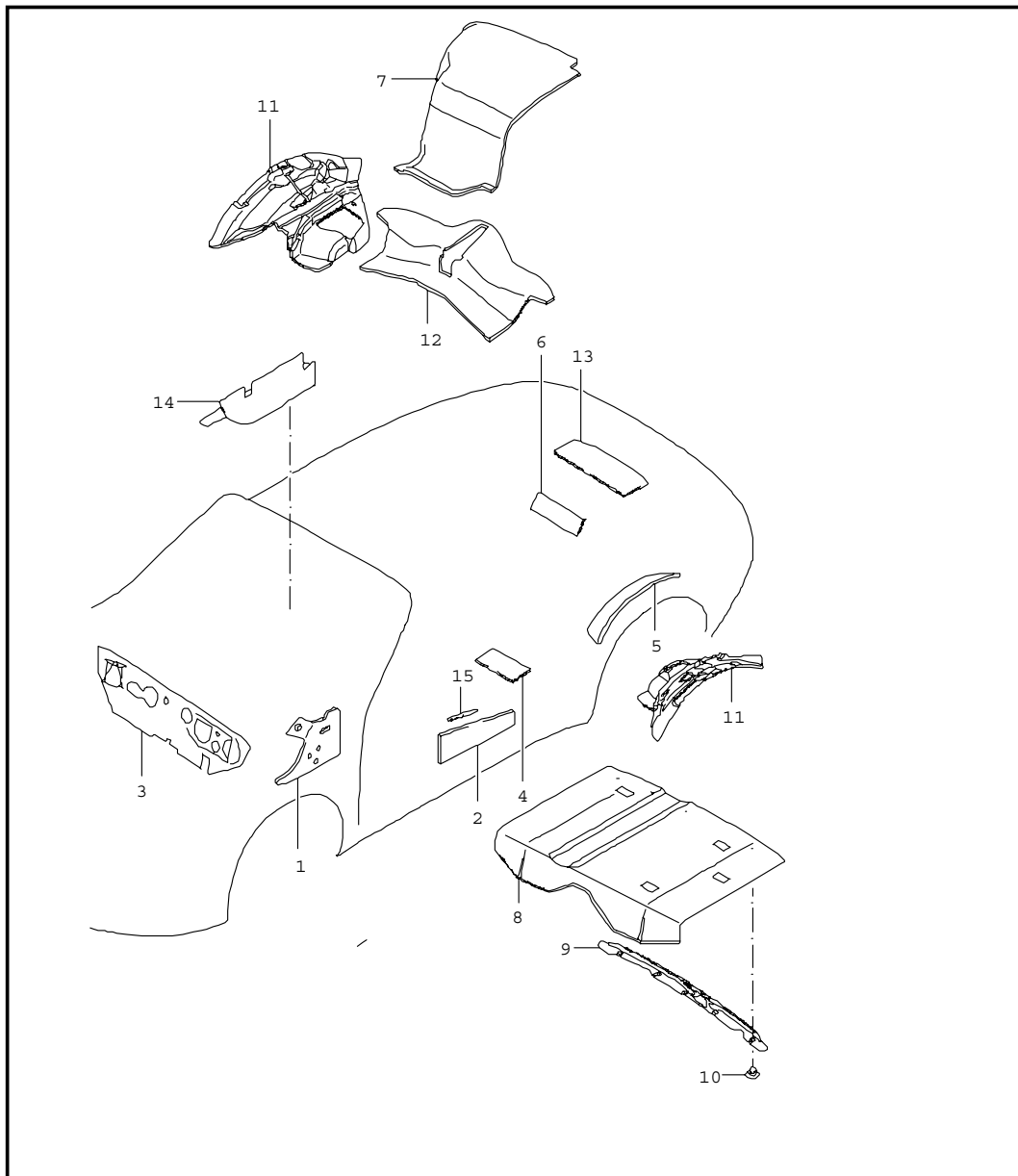


| Pos | Part Number | Name | Remarks | Qty | Model |
|-----|----------------|--|---------|-----|-------|
| | | body sound proofing 1 | | | COUPE |
| 1 | 997 556 605 00 | sound absorber wheel housing front | /L | 1 | |
| (1) | 997 556 606 00 | sound absorber wheel housing front | /R | 1 | |
| 2 | 997 556 531 00 | insulation door | 05 | 2 | |
| 2 | 997 537 551 00 | insulation door | 06- | 2 | |
| 3 | 997 556 723 00 | sound absorber firewall | /LL | 1 | I098 |
| (3) | 997 556 724 00 | sound absorber firewall | /RL | 1 | I099 |
| 4 | 997 556 503 00 | insulation floor | | 2 | |
| 5 | 997 556 655 00 | sound absorber side trim panel | /L | 1 | |
| (5) | 997 556 656 00 | sound absorber side trim panel | /R | 1 | |
| 6 | 997 556 523 00 | insulation tray | | 2 | |
| 7 | 997 556 507 00 | insulation wheel housing rear | /L | 1 | |
| (7) | 997 556 508 00 | insulation wheel housing rear | /R | 1 | |
| 8 | 997 556 511 00 | insulation rear wall lower | | 1 | |
| 9 | 997 556 521 00 | insulation rear wall upper | | 1 | |
| 10 | 997 556 711 01 | sound absorber | -05 | 1 | |
| 10 | 997 556 711 02 | sound absorber engine compartment | 06- | 1 | |
| 11 | 996 556 761 01 | retaining strip engine compartment | | 1 | |

| | | | | | | | | | | | |
|-------|------|----|----|--------------|--------------|--------|------|------------|---------|-----|---------|
| Model | Year | MG | SG | Illustration | Restrictions | Update | 7:41 | 28.08.2006 | PORSCHE | PET | PORSCHE |
| 997 | 07 | 8 | 07 | 807-15 | | 203 | | | | | |

| Pos | Part Number | Name | Remarks | Qty | Model | Pos | Part Number | Name | Remarks | Qty | Model |
|------|----------------|---|---------|-----|-------|------|----------------|--|---------|-----|-------|
| 12 | 999 049 020 40 | plastic nut T5/30 X 5,1 | | 5 | | 24 | 997 556 603 00 | sound absorber tensioner rear | | 1 | |
| 13 | 997 556 647 00 | sound absorber roof | | 1 | I652 | 25 | 997 556 613 00 | sound absorber mounting spring strut | /L | 1 | |
| 14 | 997 556 657 00 | sound absorber wheel-housing liner rear | /L | 1 | | (25) | 997 556 614 00 | sound absorber mounting spring strut | /R | 1 | |
| (14) | 997 556 658 00 | sound absorber wheel-housing liner rear | /R | 1 | | 26 | 997 537 553 00 | insulation reinforcement door | 06- | 4 | |
| 15 | 997 556 571 01 | sound absorber side trim panel | | 2 | | | | - - - E N D - - - | | | |
| 16 | 996 556 753 01 | seal side section upper | /L | 1 | | | | | | | |
| (16) | 996 556 754 01 | seal side section upper | /R | 1 | | | | | | | |
| 17 | 997 556 811 01 | filler piece wheel housing | /L | 1 | | | | | | | |
| (17) | 997 556 812 01 | filler piece wheel housing | /R | 1 | | | | | | | |
| 18 | 997 556 807 00 | sound absorber 40,0 end plate rear end | | 2 | | | | | | | |
| 19 | 997 556 805 00 | sound absorber 120 X 90 end plate rear end | | 1 | | | | | | | |
| 20 | 997 556 801 00 | sound absorber seat well | | 4 | | | | | | | |
| 21 | 997 556 803 00 | filler piece seat well | | 2 | | | | | | | |
| 22 | 997 556 513 00 | sound absorber b-pillar | -05 | 2 | | | | | | | |
| 22 | 997 556 513 02 | sound absorber b-pillar | 06- | 2 | | | | | | | |
| 23 | 997 556 619 00 | sound absorber air duct | /L | 1 | | | | | | | |
| (23) | 997 556 620 00 | sound absorber air duct | /R | 1 | | | | | | | |

| | | | | | | | | | | | |
|-------|------|----|----|--------------|--------------|--------|------|------------|---------|-----|---------|
| Model | Year | MG | SG | Illustration | Restrictions | Update | | | PORSCHE | PET | PORSCHE |
| 997 | 07 | 8 | 07 | 807-16 | | 203 | 7:41 | 28.08.2006 | | | |

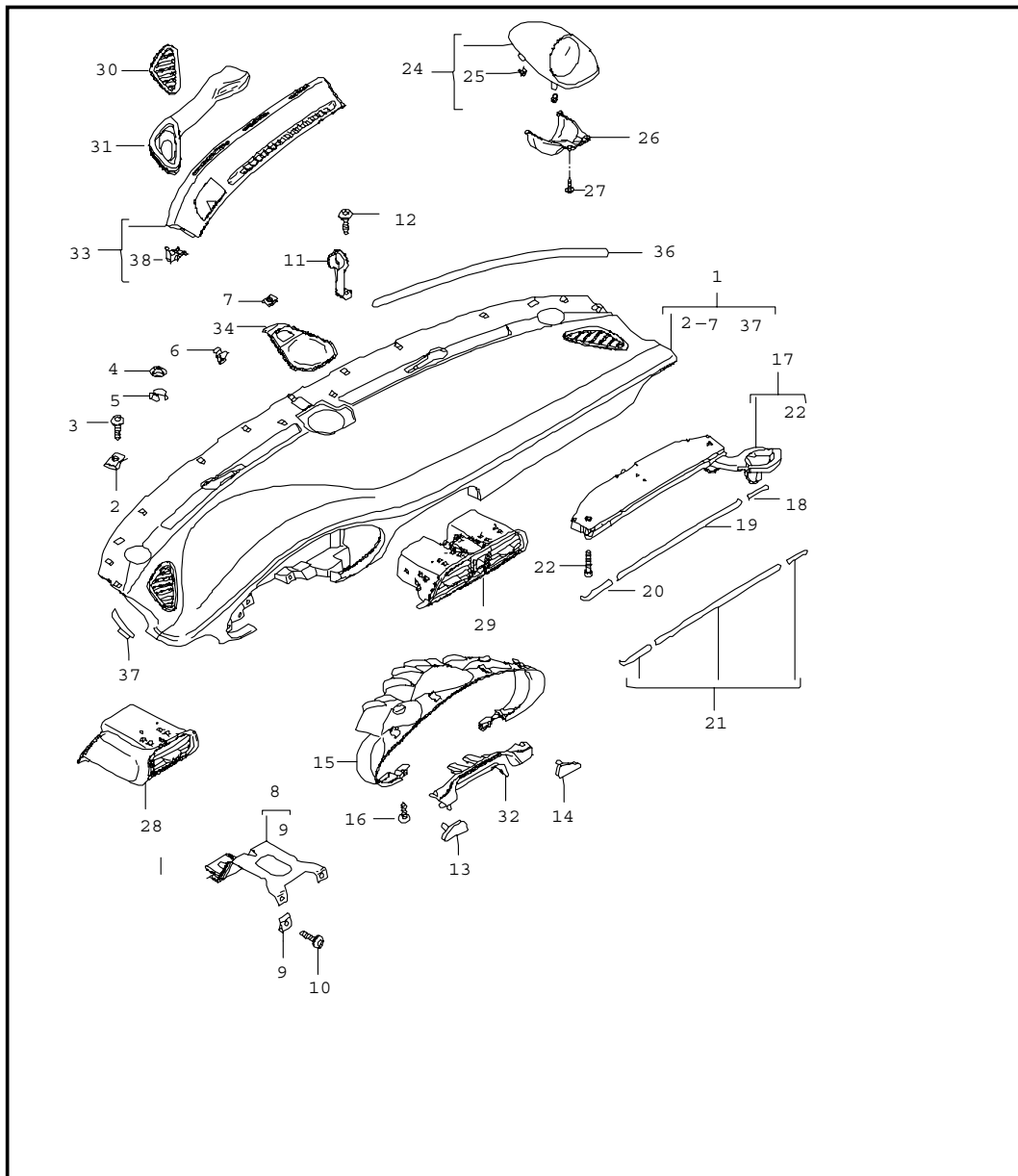


| Pos | Part Number | Name | Remarks | Qty | Model |
|-----|----------------|---|---------|-----|--------|
| | | body sound proofing 1 | | | CABRIO |
| 1 | 997 556 605 00 | sound absorber wheel housing front | /L | 1 | |
| (1) | 997 556 606 00 | sound absorber wheel housing front | /R | 1 | |
| 2 | 997 556 531 00 | insulation door | 05 | 2 | |
| 2 | 997 537 551 00 | insulation door | 06- | 2 | |
| 3 | 997 556 723 00 | sound absorber firewall | /LL | 1 | I098 |
| (3) | 997 556 724 00 | sound absorber firewall | /RL | 1 | I099 |
| 4 | 997 556 503 00 | insulation floor | | 2 | |
| 5 | 997 556 507 01 | insulation wheel housing rear | /L | 1 | |
| (5) | 997 556 508 01 | insulation wheel housing rear | /R | 1 | |
| 6 | 997 556 511 00 | insulation rear wall lower | | 1 | |
| (7) | 997 556 611 00 | sound absorber convertible top tray | /L | 1 | |
| 7 | 997 556 612 00 | sound absorber convertible top tray | /R | 1 | |
| 8 | 997 556 711 01 | sound absorber engine compartment | -05 | 1 | |
| 8 | 997 556 711 02 | sound absorber engine compartment | 06- | 1 | |
| 9 | 996 556 761 01 | retaining strip engine compartment | | 1 | |
| 10 | 999 049 020 40 | plastic nut T5/30 X 5,1 | | 5 | |

| | | | | | | | | | | | |
|-------|------|----|----|--------------|--------------|--------|------|------------|---------|-----|---------|
| Model | Year | MG | SG | Illustration | Restrictions | Update | | | | | |
| 997 | 07 | 8 | 07 | 807-16 | | 203 | 7:41 | 28.08.2006 | PORSCHE | PET | PORSCHE |

| Pos | Part Number | Name | Remarks | Qty | Model | Pos | Part Number | Name | Remarks | Qty | Model |
|------|----------------|---|---------|-----|-------|-----|-------------|------|---------|-----|-------|
| (11) | 997 556 657 01 | sound absorber wheel-housing liner rear | /L | 1 | | | | | | | |
| 11 | 997 556 658 01 | sound absorber wheel-housing liner rear | /R | 1 | | | | | | | |
| 12 | 997 556 653 00 | sound absorber control units | | 1 | | | | | | | |
| 13 | 997 556 521 00 | insulation rear wall upper | | 1 | | | | | | | |
| 14 | 997 556 634 00 | sound absorber subwoofer | | 1 | I680 | | | | | | |
| 15 | 997 537 553 00 | insulation reinforcement door | 06- | 4 | | | | | | | |
| | | - - - E N D - - - | | | | | | | | | |

| | | | | | | | | | | | |
|-------|------|----|----|--------------|--------------|--------|------|------------|---------|-----|---------|
| Model | Year | MG | SG | Illustration | Restrictions | Update | 7:42 | 28.08.2006 | PORSCHE | PET | PORSCHE |
| 997 | 07 | 8 | 09 | 809-00 | | 203 | | | | | |



| Pos | Part Number | Name | Remarks | Qty | Model |
|-----|----------------|---|---------|-----|--------------|
| 1 | 997 552 101 06 | dashboard trim upper part with accessories | /LL | 1 | I098 |
| | 9L4 | black | | | |
| | 9M5 | stone grey | | | |
| | 9C6 | sand beige | | | |
| | 9D7 | sea blue | | | |
| | 9E8 | palmgreen | | | |
| (1) | 997 552 102 06 | dashboard upper part leatherette | /RL | 1 | I099 |
| | 9L4 | black | | | |
| | 9M5 | stone grey | | | |
| | 9C6 | sand beige | | | |
| | 9D7 | sea blue | | | |
| | 9E8 | palmgreen | | | |
| 1 | 997 552 101 08 | dashboard upper part leatherette | /LL | 1 | I098/639/640 |
| | 9L4 | black | | | |
| | 9M5 | stone grey | | | |
| | 9C6 | sand beige | | | |
| | 9D7 | sea blue | | | |
| | 9E8 | palmgreen | | | |
| 1 | 997 552 102 08 | dashboard upper part leatherette | /RL | 1 | I099/639/640 |
| | 9L4 | black | | | |
| | 9M5 | stone grey | | | |
| | 9C6 | sand beige | | | |
| | 9D7 | sea blue | | | |

| | | | | | | | | | | | |
|-------|------|----|----|--------------|--------------|--------|------|------------|---------|-----|---------|
| Model | Year | MG | SG | Illustration | Restrictions | Update | | | | | |
| 997 | 07 | 8 | 09 | 809-00 | | 203 | 7:42 | 28.08.2006 | PORSCHE | PET | PORSCHE |

| Pos | Part Number | Name | Remarks | Qty | Model | Pos | Part Number | Name | Remarks | Qty | Model |
|-----|----------------|------------------------------------|---------|-----|--------------|-----|----------------|---|---------|-----|--------------|
| | 9E8 | palmgreen | | | | | FSE | palm-green/palm-green | | | |
| 1 | 997 552 101 07 | dashboard upper part leather | /LL | 1 | I098/981 | | FSF | terrakotta/terrakotta | | | |
| | FSA | black/grey | | | | | FSG | cocoa/cocoa | | | |
| | FSB | stone grey/stone grey | | | | | FSH | darkgrey natural/grey | | | |
| | FSC | sand beige/sand beige | | | | (1) | 997 552 102 09 | dashboard upper part leather | /RL | 1 | I639/640/981 |
| | FSD | seeblue/grey | | | | | FSA | black/grey | | | |
| | FSE | palm-green/palm-green | | | | | FSB | stone grey/stone grey | | | |
| | FSF | terrakotta/terrakotta | | | | | FSC | sand beige/sand beige | | | |
| | FSG | cocoa/cocoa | | | | | FSD | seeblue/grey | | | |
| | FSH | darkgrey natural/grey | | | | | FSE | palm-green/palm-green | | | |
| | FSJ | brown nat./brown nat. | | | | | FSF | terrakotta/terrakotta | | | |
| (1) | 997 552 102 07 | dashboard upper part leather | /RL | 1 | I099/981 | | FSG | cocoa/cocoa | | | |
| | FSA | black/grey | | | | | FSH | darkgrey natural/grey | | | |
| | FSB | stone grey/stone grey | | | | | FSJ | brown nat./brown nat. | | | |
| | FSC | sand beige/sand beige | | | | 2 | 999 507 971 01 | speed nut ST 4,2 for mount dashboard | | X | |
| | FSD | seeblue/grey | | | | | | | | | |
| | FSE | palm-green/palm-green | | | | | | | | | |
| | FSF | terrakotta/terrakotta | | | | 3 | 999 073 155 09 | tapping screw ST 4,2 X 13 for mount dashboard | | X | |
| | FSG | cocoa/cocoa | | | | | | | | | |
| | FSH | darkgrey natural/grey | | | | | | | | | |
| | FSJ | brown nat./brown nat. | | | | 4 | 999 507 106 02 | clamping washer 8,0 for mount dashboard | | X | |
| 1 | 997 552 101 09 | dashboard upper part leather | /LL | 1 | I639/640/981 | | | | | | |
| | FSA | black/grey | | | | | | | | | |
| | FSB | stone grey/stone grey | | | | 5 | 999 507 573 02 | clamp 6,7 - 8,1 for mount dashboard | | X | |
| | FSC | sand beige/sand beige | | | | | | | | | |
| | FSD | seeblue/grey | | | | | | | | | |

| | | | | | | | | | | | |
|-------|------|----|----|--------------|--------------|--------|------|------------|---------|-----|---------|
| Model | Year | MG | SG | Illustration | Restrictions | Update | 7:42 | 28.08.2006 | PORSCHE | PET | PORSCHE |
| 997 | 07 | 8 | 09 | 809-00 | | 203 | | | | | |

| Pos | Part Number | Name | Remarks | Qty | Model | Pos | Part Number | Name | Remarks | Qty | Model |
|------|----------------|---|---------|-----|-----------|------|----------------|------------------------------------|---------|-----|-------|
| 6 | 999 507 732 01 | clamp 8,0 X 12,0 /4,0 for mount dashboard | | X | | (13) | 997 552 382 03 | moulding driver's side outer | /RL | 1 | I801 |
| 7 | 999 507 020 02 | speed nut ST 4,2 for mount dashboard | | X | | 13 | 997 552 381 04 | moulding driver's side outer | /LL | 1 | I802 |
| 8 | 997 552 617 01 | support dashboard driver's side | | 1 | | (13) | 997 552 382 04 | moulding driver's side outer | /RL | 1 | I802 |
| 9 | 999 507 020 02 | speed nut ST 4,2 | | 2 | | 13 | 997 552 381 05 | moulding driver's side outer | /LL | 1 | I803 |
| 10 | 999 073 155 09 | tapping screw ST 4,2 X 13 | | 2 | | | A35 | black | | | |
| 11 | 997 552 673 00 | cover defroster trim | | 2 | | (13) | 997 552 382 05 | moulding driver's side outer | /RL | 1 | I803 |
| 12 | 999 073 226 09 | tapping screw ST 4,2 X 16 | | 2 | | | A35 | black | | | |
| 13 | 997 552 381 01 | moulding driver's side outer | /LL | 1 | CARRERA | 13 | 997 552 986 00 | moulding driver's side outer | /LL | 1 | IXVP |
| | D07 | volcano grey | | | | | A11 | black | | | |
| (13) | 997 552 382 01 | moulding driver's side outer | /RL | 1 | CARRERA | | 5X6 | stone grey | | | |
| | D07 | volcano grey | | | | | 8G2 | sand beige | | | |
| 13 | 997 552 381 02 | moulding driver's side outer | /LL | 1 | CARRERA S | | 3S9 | sea blue | | | |
| | V04 | galvano silver | | | | | 4P2 | palmgreen | | | |
| (13) | 997 552 382 02 | moulding driver's side outer | /RL | 1 | CARRERA S | | 9S5 | terracotta | | | |
| | V04 | galvano silver | | | | | 9V6 | cocoa | | | |
| | | | | | | | D12 | dark grey/natural | | | |
| | | | | | | | T12 | brown/natural | | | |
| 13 | 997 552 381 03 | moulding driver's side outer | /LL | 1 | I801 | (13) | 997 552 986 01 | moulding driver's side outer | /RL | 1 | IXVP |
| | S61 | makassar | | | | | A11 | black | | | |

| | | | | | | | | | | | |
|-------|------|----|----|--------------|--------------|--------|------|------------|---------|-----|---------|
| Model | Year | MG | SG | Illustration | Restrictions | Update | 7:42 | 28.08.2006 | PORSCHE | PET | PORSCHE |
| 997 | 07 | 8 | 09 | 809-00 | | 203 | | | | | |

| Pos | Part Number | Name | Remarks | Qty | Model | Pos | Part Number | Name | Remarks | Qty | Model |
|------|----------------|-------------------------------|---------|-----|-----------|------|----------------|-------------------------------|---------|-----|-------|
| | 5X6 | stone grey | | | | (14) | 997 552 384 04 | moulding driver's side centre | /RL | 1 | I802 |
| | 8G2 | sand beige | | | | | S62 | sycamore wood | | | |
| | 3S9 | sea blue | | | | 14 | 997 552 383 05 | moulding driver's side centre | /LL | 1 | I803 |
| | 4P2 | palmgreen | | | | | A35 | black | | | |
| | 9S5 | terracotta | | | | (14) | 997 552 384 05 | moulding driver's side centre | /RL | 1 | I803 |
| | 9V6 | cocoa | | | | | A35 | black | | | |
| | D12 | dark grey/natural | | | | 14 | 997 552 987 00 | moulding driver's side centre | /LL | 1 | IXVP |
| | T12 | brown/natural | | | | | A11 | black | | | |
| 14 | 997 552 383 01 | moulding driver's side centre | /LL | 1 | CARRERA | | 5X6 | stone grey | | | |
| | D07 | volcano grey | | | | | 8G2 | sand beige | | | |
| (14) | 997 552 384 01 | moulding driver's side centre | /RL | 1 | CARRERA | | 3S9 | sea blue | | | |
| | D07 | volcano grey | | | | | 4P2 | palmgreen | | | |
| 14 | 997 552 383 02 | moulding driver's side centre | /LL | 1 | CARRERA S | | 9S5 | terracotta | | | |
| | V04 | galvano silver | | | | | 9V6 | cocoa | | | |
| (14) | 997 552 384 02 | moulding driver's side centre | /RL | 1 | CARRERA S | | D12 | dark grey/natural | | | |
| | V04 | galvano silver | | | | | T12 | brown/natural | | | |
| 14 | 997 552 383 03 | moulding driver's side centre | /LL | 1 | I801 | (14) | 997 552 987 01 | moulding driver's side centre | /RL | 1 | IXVP |
| | S61 | makassar | | | | | A11 | black | | | |
| (14) | 997 552 384 03 | moulding driver's side centre | /RL | 1 | I801 | | 5X6 | stone grey | | | |
| | S61 | makassar | | | | | 8G2 | sand beige | | | |
| 14 | 997 552 383 04 | moulding driver's side centre | /LL | 1 | I802 | | 3S9 | sea blue | | | |
| | S62 | sycamore wood | | | | | 4P2 | palmgreen | | | |
| | | | | | | | 9S5 | terracotta | | | |
| | | | | | | | 9V6 | cocoa | | | |

| | | | | | | | | | | | |
|-------|------|----|----|--------------|--------------|--------|------|------------|---------|-----|---------|
| Model | Year | MG | SG | Illustration | Restrictions | Update | | | | | |
| 997 | 07 | 8 | 09 | 809-00 | | 203 | 7:42 | 28.08.2006 | PORSCHE | PET | PORSCHE |

| Pos | Part Number | Name | Remarks | Qty | Model | Pos | Part Number | Name | Remarks | Qty | Model |
|------|----------------|--------------------------|---------|-----|-------|------|----------------|--|---------|-----|---------|
| | | D12 dark grey/natural | | | | | | D12 dark grey/natural | | | |
| | | T12 brown/natural | | | | | | T12 brown/natural | | | |
| 15 | 997 552 325 01 | cover instrument cluster | /LL | 1 | | (15) | 997 552 989 01 | cover instrument cluster | /RL | 1 | IXNG |
| | | A03 black | | | | | | A11 black | | | |
| | | 5V7 stone grey | | | | | | 5X6 stone grey | | | |
| | | 5Z1 sand beige | | | | | | 8G2 sand beige | | | |
| | | 8W7 sea blue | | | | | | 3S9 sea blue | | | |
| | | 5Y2 palmgreen | | | | | | 4P2 palmgreen | | | |
| | | 8X8 terracotta | | | | | | 9S5 terracotta | | | |
| | | 8P9 cocoa | | | | | | 9V6 cocoa | | | |
| | | T13 brown/natural | | | | | | D12 dark grey/natural | | | |
| (15) | 997 552 326 01 | cover instrument cluster | /RL | 1 | | | | T12 brown/natural | | | |
| | | A03 black | | | | 15 | 997 552 989 02 | cover instrument cluster | /LL | 1 | IXCL |
| | | 5V7 stone grey | | | | | | V04 galvano silver | | | |
| | | 5Z1 sand beige | | | | (15) | 997 552 989 03 | cover instrument cluster | /RL | 1 | IXCL |
| | | 8W7 sea blue | | | | | | V04 galvano silver | | | |
| | | 5Y2 palmgreen | | | | 16 | 999 073 155 09 | tapping screw ST 4,2 X 13 | | 2 | |
| | | 8X8 terracotta | | | | 17 | 997 552 294 00 | support beverages without position 18/19/20 | /LL -06 | 1 | I098 |
| | | 8P9 cocoa | | | | | | | | | |
| | | T13 brown/natural | | | | | | | | | |
| 15 | 997 552 989 00 | cover instrument cluster | /LL | 1 | IXNG | 17 | 997 552 293 01 | support beverages without position 18/19/20 | /RL -06 | 1 | I099 |
| | | A11 black | | | | | | | | | |
| | | 5X6 stone grey | | | | | | | | | |
| | | 8G2 sand beige | | | | (17) | 997 552 174 01 | support beverages with position 18/19/20 | /LL | 1 | CARRERA |
| | | 3S9 sea blue | | | | | | | | | |
| | | 4P2 palmgreen | | | | | | | | | |
| | | 9S5 terracotta | | | | | | | | | |
| | | 9V6 cocoa | | | | | | D07 volcano grey | | | |

| | | | | | | | | | | | |
|-------|------|----|----|--------------|--------------|--------|------|------------|---------|-----|---------|
| Model | Year | MG | SG | Illustration | Restrictions | Update | 7:42 | 28.08.2006 | PORSCHE | PET | PORSCHE |
| 997 | 07 | 8 | 09 | 809-00 | | 203 | | | | | |

| Pos | Part Number | Name | Remarks | Qty | Model | Pos | Part Number | Name | Remarks | Qty | Model |
|------|----------------|--|---------|-----|-----------|------|----------------|--|---------|-----|-------|
| (17) | 997 552 173 01 | support beverages with position 18/19/20 | /RL | 1 | CARRERA | | A35 | black | | | |
| | D07 | volcano grey | | | | (17) | 997 552 173 05 | support beverages with position 18/19/20 | /RL | 1 | I803 |
| (17) | 997 552 174 02 | support beverages with position 18/19/20 | /LL | 1 | CARRERA S | | A35 | black | | | |
| | V04 | galvano silver | | | | (17) | 997 552 988 00 | support beverages with position 18/19/20 | /LL | 1 | IXVP |
| (17) | 997 552 173 02 | support beverages with position 18/19/20 | /RL | 1 | CARRERA S | | A11 | black | | | |
| | V04 | galvano silver | | | | | 5X6 | stone grey | | | |
| (17) | 997 552 174 03 | support with position 18/19/20 | /LL | 1 | I801 | | 8G2 | sand beige | | | |
| | S61 | makassar | | | | | 3S9 | sea blue | | | |
| (17) | 997 552 173 03 | support with position 18/19/20 | /RL | 1 | I801 | | 4P2 | palmgreen | | | |
| | S61 | makassar | | | | | 9S5 | terracotta | | | |
| (17) | 997 552 174 04 | support with position 18/19/20 | /LL | 1 | I802 | | 9V6 | cocoa | | | |
| | S62 | sycamore wood | | | | | D12 | dark grey/natural | | | |
| (17) | 997 552 173 04 | support with position 18/19/20 | /RL | 1 | I802 | | T12 | brown/natural | | | |
| | S62 | sycamore wood | | | | (17) | 997 552 988 01 | support beverages with position 18/19/20 | /RL | 1 | IXVP |
| (17) | 997 552 174 05 | support beverages with position 18/19/20 | /LL | 1 | I803 | | A11 | black | | | |
| | | | | | | | 5X6 | stone grey | | | |
| | | | | | | | 8G2 | sand beige | | | |
| | | | | | | | 3S9 | sea blue | | | |
| | | | | | | | 4P2 | palmgreen | | | |
| | | | | | | | 9S5 | terracotta | | | |
| | | | | | | | 9V6 | cocoa | | | |
| | | | | | | | D12 | dark grey/natural | | | |
| | | | | | | | T12 | brown/natural | | | |

| | | | | | | | | | | | |
|-------|------|----|----|--------------|--------------|--------|------|------------|---------|-----|---------|
| Model | Year | MG | SG | Illustration | Restrictions | Update | 7:42 | 28.08.2006 | PORSCHE | PET | PORSCHE |
| 997 | 07 | 8 | 09 | 809-00 | | 203 | | | | | |

| Pos | Part Number | Name | Remarks | Qty | Model | Pos | Part Number | Name | Remarks | Qty | Model |
|------|----------------|-------------------|---------|-----|-----------|------|----------------|-------------------|---------|-----|-----------|
| 18 | 997 552 394 01 | cover | /LL/R | 1 | CARRERA | | 9V6 | cocoa | | | |
| | D07 | volcano grey | | | | | D12 | dark grey/natural | | | |
| (18) | 997 552 393 01 | cover | /RL/R | 1 | CARRERA | | T12 | brown/natural | | | |
| | D07 | volcano grey | | | | 19 | 997 552 398 00 | cover centre | /LL | 1 | CARRERA |
| 18 | 997 552 394 02 | cover | /LL/R | 1 | CARRERA S | | D07 | volcano grey | | | |
| | V04 | galvano silver | | | | (19) | 997 552 397 00 | cover centre | /RL | 1 | CARRERA |
| (18) | 997 552 393 02 | cover | /RL/R | 1 | CARRERA S | | D07 | volcano grey | | | |
| | V04 | galvano silver | | | | 19 | 997 552 398 01 | cover centre | /LL | 1 | CARRERA S |
| 18 | 997 552 396 05 | cover | /LL/R | 1 | I803 | | V04 | galvano silver | | | |
| | A35 | black | | | | (19) | 997 552 397 01 | cover centre | /RL | 1 | CARRERA S |
| (18) | 997 552 395 05 | cover | /RL/R | 1 | I803 | | V04 | galvano silver | | | |
| | A35 | black | | | | 19 | 997 552 398 04 | cover centre | /LL | 1 | I803 |
| 18 | 997 552 993 00 | cover | /LL/R | 1 | IXVP | | A35 | black | | | |
| | A11 | black | | | | (19) | 997 552 397 04 | cover centre | /RL | 1 | I803 |
| | 5X6 | stone grey | | | | | A35 | black | | | |
| | 8G2 | sand beige | | | | 19 | 997 552 994 00 | cover centre | /LL | 1 | IXVP |
| | 3S9 | sea blue | | | | | A11 | black | | | |
| | 4P2 | palmgreen | | | | | 5X6 | stone grey | | | |
| | 9S5 | terracotta | | | | | 8G2 | sand beige | | | |
| | 9V6 | cocoa | | | | | 3S9 | sea blue | | | |
| | D12 | dark grey/natural | | | | | 4P2 | palmgreen | | | |
| | T12 | brown/natural | | | | | 9S5 | terracotta | | | |
| (18) | 997 552 993 01 | cover | /RL/R | 1 | IXVP | | 9V6 | cocoa | | | |
| | A11 | black | | | | | D12 | dark grey/natural | | | |
| | 5X6 | stone grey | | | | | T12 | brown/natural | | | |
| | 8G2 | sand beige | | | | | | | | | |
| | 3S9 | sea blue | | | | | | | | | |
| | 4P2 | palmgreen | | | | | | | | | |
| | 9S5 | terracotta | | | | | | | | | |

| | | | | | | | | | | | |
|-------|------|----|----|--------------|--------------|--------|------|------------|---------|-----|---------|
| Model | Year | MG | SG | Illustration | Restrictions | Update | 7:42 | 28.08.2006 | PORSCHE | PET | PORSCHE |
| 997 | 07 | 8 | 09 | 809-00 | | 203 | | | | | |

| Pos | Part Number | Name | Remarks | Qty | Model | Pos | Part Number | Name | Remarks | Qty | Model |
|------|----------------|-------------------|---------|-----|-----------|------|----------------|----------------------------------|---------|-----|----------|
| 19 | 997 552 994 01 | cover centre | /RL | 1 | IXVP | | 9V6 | cocoa | | | |
| | A11 | black | | | | | D12 | dark grey/natural | | | |
| | 5X6 | stone grey | | | | | T12 | brown/natural | | | |
| | 8G2 | sand beige | | | | (20) | 997 552 992 01 | cover | /RL/L | 1 | IXVP |
| | 3S9 | sea blue | | | | | A11 | black | | | |
| | 4P2 | palmgreen | | | | | 5X6 | stone grey | | | |
| | 9S5 | terracotta | | | | | 8G2 | sand beige | | | |
| | 9V6 | cocoa | | | | | 3S9 | sea blue | | | |
| | D12 | dark grey/natural | | | | | 4P2 | palmgreen | | | |
| | T12 | brown/natural | | | | | 9S5 | terracotta | | | |
| 20 | 997 552 396 01 | cover | /LL/L | 1 | CARRERA | | 9V6 | cocoa | | | |
| | D07 | volcano grey | | | | | D12 | dark grey/natural | | | |
| (20) | 997 552 395 01 | cover | /RL/L | 1 | CARRERA | 21 | 997 552 904 00 | set cover wood | /LL | 1 | I098/801 |
| | D07 | volcano grey | | | | | S61 | makassar | | | |
| 20 | 997 552 396 02 | cover | /LL/L | 1 | CARRERA S | (21) | 997 552 903 00 | set cover wood | /RL | 1 | I099/801 |
| | V04 | galvano silver | | | | | S61 | makassar | | | |
| (20) | 997 552 395 02 | cover | /RL/L | 1 | CARRERA S | 21 | 997 552 904 01 | set cover wood | /LL | 1 | I098/802 |
| | V04 | galvano silver | | | | | S62 | sycamore wood | | | |
| 20 | 997 552 394 05 | cover | /LL/L | 1 | I803 | 21 | 997 552 903 01 | set cover wood | /RL | 1 | I099/802 |
| | A35 | black | | | | | S62 | sycamore wood | | | |
| (20) | 997 552 393 05 | cover | /RL/L | 1 | I803 | 22 | 900 067 416 01 | pan-head screw M5 x 27 4,2 | | 2 | |
| | A35 | black | | | | 24 | 997 552 371 00 | air box upper part | | 1 | I639/640 |
| 20 | 997 552 992 00 | cover | /LL/L | 1 | IXVP | | A03 | black | | | |
| | A11 | black | | | | | | | | | |
| | 5X6 | stone grey | | | | | | | | | |
| | 8G2 | sand beige | | | | | | | | | |
| | 3S9 | sea blue | | | | | | | | | |
| | 4P2 | palmgreen | | | | | | | | | |
| | 9S5 | terracotta | | | | | | | | | |

| | | | | | | | | | | | |
|-------|------|----|----|--------------|--------------|--------|------|------------|---------|-----|---------|
| Model | Year | MG | SG | Illustration | Restrictions | Update | 7:42 | 28.08.2006 | PORSCHE | PET | PORSCHE |
| 997 | 07 | 8 | 09 | 809-00 | | 203 | | | | | |

| Pos | Part Number | Name | Remarks | Qty | Model | Pos | Part Number | Name | Remarks | Qty | Model |
|------|----------------|---|---------|-----|--------------|------|----------------|-------------------|---------|-----|-----------|
| | 5V7 | stone grey | | | | | D07 | volcano grey | | | |
| | 5Z1 | sand beige | | | | 28 | 997 552 131 04 | side vent | /L -05 | 1 | CARRERA S |
| | 8W7 | sea blue | | | | | V04 | galvano silver | | | |
| | 5Y2 | palmgreen | | | | 28 | 997 552 131 06 | side vent | /L 06- | 1 | CARRERA S |
| (24) | 997 552 371 01 | air box upper part | | 1 | I639/640/981 | | V04 | galvano silver | | | |
| | A11 | black | | | | (28) | 997 552 132 04 | side vent | /R -05 | 1 | CARRERA S |
| | 5X6 | stone grey | | | | | V04 | galvano silver | | | |
| | 8G2 | sand beige | | | | (28) | 997 552 132 06 | side vent | /R 06- | 1 | CARRERA S |
| | 3S9 | sea blue | | | | | V04 | galvano silver | | | |
| | 4P2 | palmgreen | | | | 28 | 997 552 981 00 | side vent | /L | 1 | IXN3 |
| | 9S5 | terracotta | | | | | A11 | black | | | |
| | 9V6 | cocoa | | | | | 5X6 | stone grey | | | |
| | D12 | dark grey/natural | | | | | 8G2 | sand beige | | | |
| | T12 | brown/natural | | | | | 3S9 | sea blue | | | |
| 25 | 999 507 920 01 | u-clamp 1,7-2,1 | | 4 | I639/640 | | 4P2 | palmgreen | | | |
| 26 | 997 552 373 01 | support for air box upper part | | 1 | I639/640 | | 9S5 | terracotta | | | |
| 27 | 999 919 167 09 | oval-head screw 3,0 X 10 for mount support air box | | 4 | | | 9V6 | cocoa | | | |
| | | | | | | | D12 | dark grey/natural | | | |
| | | | | | | | T12 | brown/natural | | | |
| 28 | 997 552 131 03 | side vent | /L -05 | 1 | CARRERA | (28) | 997 552 982 00 | side vent | /R | 1 | IXN3 |
| | D07 | volcano grey | | | | | A11 | black | | | |
| 28 | 997 552 131 05 | side vent | /L 06- | 1 | CARRERA | | 5X6 | stone grey | | | |
| | D07 | volcano grey | | | | | 8G2 | sand beige | | | |
| (28) | 997 552 132 03 | side vent | /R -05 | 1 | CARRERA | | 3S9 | sea blue | | | |
| | D07 | volcano grey | | | | | 4P2 | palmgreen | | | |
| (28) | 997 552 132 05 | side vent | /R 06- | 1 | CARRERA | | 9S5 | terracotta | | | |
| | | | | | | | 9V6 | cocoa | | | |
| | | | | | | | D12 | dark grey/natural | | | |
| | | | | | | | T12 | brown/natural | | | |

| | | | | | | | | | | | |
|-------|------|----|----|--------------|--------------|--------|------|------------|---------|-----|---------|
| Model | Year | MG | SG | Illustration | Restrictions | Update | 7:42 | 28.08.2006 | PORSCHE | PET | PORSCHE |
| 997 | 07 | 8 | 09 | 809-00 | | 203 | | | | | |

| Pos | Part Number | Name | Remarks | Qty | Model | Pos | Part Number | Name | Remarks | Qty | Model |
|------|----------------|-------------------|---------|-----|-------|------|----------------|-------------------|---------|-----|-------|
| 28 | 997 552 981 01 | side vent | /L | 1 | IXKD | | T12 | brown/natural | | | |
| | A11 | black | | | | (28) | 997 552 982 02 | side vent | /R | 1 | IXJM |
| | 5X6 | stone grey | | | | | A11 | black | | | |
| | 8G2 | sand beige | | | | | 5X6 | stone grey | | | |
| | 3S9 | sea blue | | | | | 8G2 | sand beige | | | |
| | 4P2 | palmgreen | | | | | 3S9 | sea blue | | | |
| | 9S5 | terracotta | | | | | 4P2 | palmgreen | | | |
| | 9V6 | cocoa | | | | | 9S5 | terracotta | | | |
| | D12 | dark grey/natural | | | | | 9V6 | cocoa | | | |
| | T12 | brown/natural | | | | | D12 | dark grey/natural | | | |
| (28) | 997 552 982 01 | side vent | /R | 1 | IXKD | | T12 | brown/natural | | | |
| | A11 | black | | | | 28 | 997 552 981 03 | side vent | /L | 1 | IXJL |
| | 5X6 | stone grey | | | | | A11 | black | | | |
| | 8G2 | sand beige | | | | | 5X6 | stone grey | | | |
| | 3S9 | sea blue | | | | | 8G2 | sand beige | | | |
| | 4P2 | palmgreen | | | | | 3S9 | sea blue | | | |
| | 9S5 | terracotta | | | | | 4P2 | palmgreen | | | |
| | 9V6 | cocoa | | | | | 9S5 | terracotta | | | |
| | D12 | dark grey/natural | | | | | 9V6 | cocoa | | | |
| | T12 | brown/natural | | | | | D12 | dark grey/natural | | | |
| 28 | 997 552 981 02 | side vent | /L | 1 | IXJM | | T12 | brown/natural | | | |
| | A11 | black | | | | (28) | 997 552 982 03 | side vent | /R | 1 | IXJL |
| | 5X6 | stone grey | | | | | A11 | black | | | |
| | 8G2 | sand beige | | | | | 5X6 | stone grey | | | |
| | 3S9 | sea blue | | | | | 8G2 | sand beige | | | |
| | 4P2 | palmgreen | | | | | 3S9 | sea blue | | | |
| | 9S5 | terracotta | | | | | 4P2 | palmgreen | | | |
| | 9V6 | cocoa | | | | | 9S5 | terracotta | | | |
| | D12 | dark grey/natural | | | | | 9V6 | cocoa | | | |

| | | | | | | | | | | | |
|-------|------|----|----|--------------|--------------|--------|------|------------|---------|-----|---------|
| Model | Year | MG | SG | Illustration | Restrictions | Update | 7:42 | 28.08.2006 | PORSCHE | PET | PORSCHE |
| 997 | 07 | 8 | 09 | 809-00 | | 203 | | | | | |

| Pos | Part Number | Name | Remarks | Qty | Model | Pos | Part Number | Name | Remarks | Qty | Model |
|------|----------------|-------------------|---------|-----|-----------|------|----------------|-------------------|---------|-----|-------|
| | D12 | dark grey/natural | | | | | V04 | galvano silver | | | |
| | T12 | brown/natural | | | | (29) | 997 552 980 00 | centre nozzle | | 1 | IXVM |
| 28 | 997 552 981 04 | side vent | /L | 1 | IXCN | | A11 | black | | | |
| | A11 | black | | | | | 5X6 | stone grey | | | |
| | 5X6 | stone grey | | | | | 8G2 | sand beige | | | |
| | 8G2 | sand beige | | | | | 3S9 | sea blue | | | |
| | 3S9 | sea blue | | | | | 4P2 | palmgreen | | | |
| | 4P2 | palmgreen | | | | | 9S5 | terracotta | | | |
| | 9S5 | terracotta | | | | | 9V6 | cocoa | | | |
| | 9V6 | cocoa | | | | | D12 | dark grey/natural | | | |
| | D12 | dark grey/natural | | | | | T12 | brown/natural | | | |
| (28) | 997 552 982 04 | side vent | /R | 1 | IXCN | (29) | 997 552 980 01 | centre nozzle | | 1 | IXZB |
| | T12 | brown/natural | | | | | A11 | black | | | |
| | A11 | black | | | | | 5X6 | stone grey | | | |
| | 5X6 | stone grey | | | | | 8G2 | sand beige | | | |
| | 8G2 | sand beige | | | | | 3S9 | sea blue | | | |
| | 3S9 | sea blue | | | | | 4P2 | palmgreen | | | |
| | 4P2 | palmgreen | | | | | 9S5 | terracotta | | | |
| | 9S5 | terracotta | | | | | 9V6 | cocoa | | | |
| | 9V6 | cocoa | | | | | D12 | dark grey/natural | | | |
| | D12 | dark grey/natural | | | | | T12 | brown/natural | | | |
| | T12 | brown/natural | | | | (29) | 997 552 980 02 | centre nozzle | | 1 | IXJP |
| 29 | 997 552 141 03 | centre nozzle | -05 | 1 | CARRERA | | A11 | black | | | |
| | D07 | volcano grey | | | | | 5X6 | stone grey | | | |
| 29 | 997 552 141 05 | centre nozzle | 06- | 1 | CARRERA | | 8G2 | sand beige | | | |
| | D07 | volcano grey | | | | | 3S9 | sea blue | | | |
| (29) | 997 552 141 04 | centre nozzle | -05 | 1 | CARRERA S | | 4P2 | palmgreen | | | |
| | V04 | galvano silver | | | | | 9S5 | terracotta | | | |
| (29) | 997 552 141 06 | centre nozzle | 06- | 1 | CARRERA S | | 9V6 | cocoa | | | |

| | | | | | | | | | | | |
|-------|------|----|----|--------------|--------------|--------|------|------------|---------|-----|---------|
| Model | Year | MG | SG | Illustration | Restrictions | Update | | | | | |
| 997 | 07 | 8 | 09 | 809-00 | | 203 | 7:42 | 28.08.2006 | PORSCHE | PET | PORSCHE |

| Pos | Part Number | Name | Remarks | Qty | Model | Pos | Part Number | Name | Remarks | Qty | Model |
|------|----------------|-----------------------|---------|-----|-------|------|----------------|----------------------|---------|-----|-------|
| | | D12 dark grey/natural | | | | | | 8P9 cocoa | | | |
| | | T12 brown/natural | | | | | | T13 brown/natural | | | |
| (29) | 997 552 980 03 | centre nozzle | | 1 | IXJN | (30) | 997 552 456 01 | cover defroster vent | /R | 1 | |
| | | A11 black | | | | | | A03 black | | | |
| | | 5X6 stone grey | | | | | | 5V7 stone grey | | | |
| | | 8G2 sand beige | | | | | | 5Z1 sand beige | | | |
| | | 3S9 sea blue | | | | | | 8W7 sea blue | | | |
| | | 4P2 palmgreen | | | | | | 5Y2 palmgreen | | | |
| | | 9S5 terracotta | | | | | | 8X8 terracotta | | | |
| | | 9V6 cocoa | | | | | | 8P9 cocoa | | | |
| | | D12 dark grey/natural | | | | | | T13 brown/natural | | | |
| (29) | 997 552 980 04 | centre nozzle | | 1 | IXCY | 31 | 997 552 315 01 | air duct lateral | /L | 1 | |
| | | A11 black | | | | (31) | 997 552 316 01 | air duct lateral | /R | 1 | |
| | | 5X6 stone grey | | | | | | 32 997 552 271 01 | bridge | 1 | |
| | | 8G2 sand beige | | | | | | A03 black | | | |
| | | 3S9 sea blue | | | | | | 5V7 stone grey | | | |
| | | 4P2 palmgreen | | | | | | 5Z1 sand beige | | | |
| | | 9S5 terracotta | | | | | | 8W7 sea blue | | | |
| | | 9V6 cocoa | | | | | | 5Y2 palmgreen | | | |
| | | D12 dark grey/natural | | | | | | 8X8 terracotta | | | |
| | | T12 brown/natural | | | | | | 8P9 cocoa | | | |
| 30 | 997 552 455 01 | cover defroster vent | /L | 1 | | | | T13 brown/natural | | | |
| | | A03 black | | | | 32 | 997 552 978 00 | bridge leather | 06- | 1 | IXNS |
| | | 5V7 stone grey | | | | | | A11 black | | | |
| | | 5Z1 sand beige | | | | | | 5X6 stone grey | | | |
| | | 8W7 sea blue | | | | | | 8G2 sand beige | | | |
| | | 5Y2 palmgreen | | | | | | 3S9 sea blue | | | |
| | | 8X8 terracotta | | | | | | | | | |

| | | | | | | | | | | | |
|-------|------|----|----|--------------|--------------|--------|------|------------|---------|-----|---------|
| Model | Year | MG | SG | Illustration | Restrictions | Update | | | | | |
| 997 | 07 | 8 | 09 | 809-00 | | 203 | 7:42 | 28.08.2006 | PORSCHE | PET | PORSCHE |

| Pos | Part Number | Name | Remarks | Qty | Model | Pos | Part Number | Name | Remarks | Qty | Model |
|------|----------------|-------------------|---------|-----|-------|------|----------------|-------------------|---------|-----|-------|
| | 4P2 | palmgreen | | | | | 9S5 | terracotta | | | |
| | 9S5 | terracotta | | | | | 9V6 | cocoa | | | |
| | 9V6 | cocoa | | | | | D12 | dark grey/natural | | | |
| | D12 | dark grey/natural | | | | | T12 | brown/natural | | | |
| | T12 | brown/natural | | | | (33) | 997 552 984 00 | defroster trim | /R | 1 | IXV1 |
| 33 | 997 552 175 01 | defroster trim | /L | 1 | | | A11 | black | | | |
| | A03 | black | | | | | 5X6 | stone grey | | | |
| | 5V7 | stone grey | | | | | 8G2 | sand beige | | | |
| | 5Z1 | sand beige | | | | | 3S9 | sea blue | | | |
| | 8W7 | sea blue | | | | | 4P2 | palmgreen | | | |
| | 5Y2 | palmgreen | | | | | 9S5 | terracotta | | | |
| | 8X8 | terracotta | | | | | 9V6 | cocoa | | | |
| | 8P9 | cocoa | | | | | D12 | dark grey/natural | | | |
| | T13 | brown/natural | | | | | T12 | brown/natural | | | |
| (33) | 997 552 176 01 | defroster trim | /R | 1 | | 33 | 997 552 983 01 | defroster trim | /L | 1 | IXKJ |
| | A03 | black | | | | | A11 | black | | | |
| | 5V7 | stone grey | | | | | 5X6 | stone grey | | | |
| | 5Z1 | sand beige | | | | | 8G2 | sand beige | | | |
| | 8W7 | sea blue | | | | | 3S9 | sea blue | | | |
| | 5Y2 | palmgreen | | | | | 4P2 | palmgreen | | | |
| | 8X8 | terracotta | | | | | 9S5 | terracotta | | | |
| | 8P9 | cocoa | | | | | 9V6 | cocoa | | | |
| | T13 | brown/natural | | | | | D12 | dark grey/natural | | | |
| 33 | 997 552 983 00 | defroster trim | /L | 1 | IXV1 | (33) | 997 552 984 01 | defroster trim | /R | 1 | IXKJ |
| | A11 | black | | | | | A11 | black | | | |
| | 5X6 | stone grey | | | | | 5X6 | stone grey | | | |
| | 8G2 | sand beige | | | | | 8G2 | sand beige | | | |
| | 3S9 | sea blue | | | | | 3S9 | sea blue | | | |
| | 4P2 | palmgreen | | | | | | | | | |

| | | | | | | | | | | | |
|-------|------|----|----|--------------|--------------|--------|------|------------|---------|-----|---------|
| Model | Year | MG | SG | Illustration | Restrictions | Update | | | | | |
| 997 | 07 | 8 | 09 | 809-00 | | 203 | 7:42 | 28.08.2006 | PORSCHE | PET | PORSCHE |

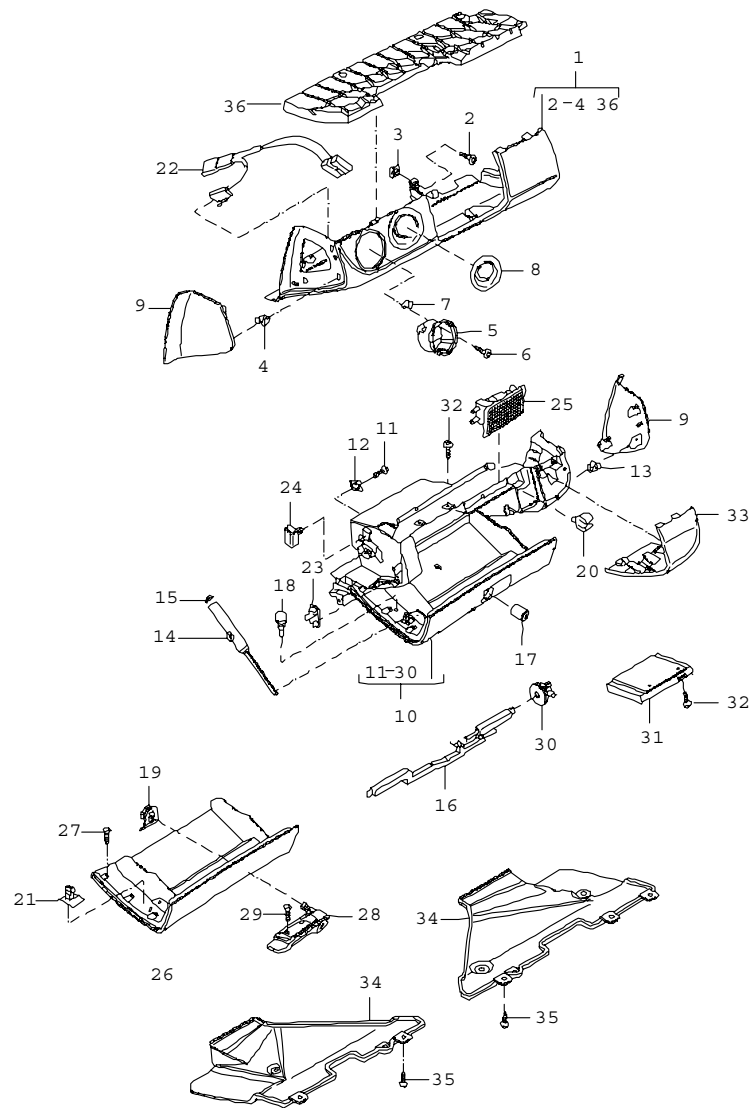
| Pos | Part Number | Name | Remarks | Qty | Model | Pos | Part Number | Name | Remarks | Qty | Model |
|------|----------------|-------------------|---------|-----|-------|------|----------------|-------------------|---------|-----|-------|
| | 4P2 | palmgreen | | | | | 3S9 | sea blue | | | |
| | 9S5 | terracotta | | | | | 4P2 | palmgreen | | | |
| | 9V6 | cocoa | | | | | 9S5 | terracotta | | | |
| | D12 | dark grey/natural | | | | | 9V6 | cocoa | | | |
| | T12 | brown/natural | | | | | D12 | dark grey/natural | | | |
| 33 | 997 552 983 02 | defroster trim | /L | 1 | IXJS | | T12 | brown/natural | | | |
| | A11 | black | | | | (33) | 997 552 984 03 | defroster trim | /R | 1 | IXJR |
| | 5X6 | stone grey | | | | | A11 | black | | | |
| | 8G2 | sand beige | | | | | 5X6 | stone grey | | | |
| | 3S9 | sea blue | | | | | 8G2 | sand beige | | | |
| | 4P2 | palmgreen | | | | | 3S9 | sea blue | | | |
| | 9S5 | terracotta | | | | | 4P2 | palmgreen | | | |
| | 9V6 | cocoa | | | | | 9S5 | terracotta | | | |
| | D12 | dark grey/natural | | | | | 9V6 | cocoa | | | |
| | T12 | brown/natural | | | | | D12 | dark grey/natural | | | |
| (33) | 997 552 984 02 | defroster trim | /R | 1 | IXJS | | T12 | brown/natural | | | |
| | A11 | black | | | | 34 | 997 552 351 01 | cover centre | | 1 | |
| | 5X6 | stone grey | | | | | A03 | black | | | |
| | 8G2 | sand beige | | | | | 5V7 | stone grey | | | |
| | 3S9 | sea blue | | | | | 5Z1 | sand beige | | | |
| | 4P2 | palmgreen | | | | | 8W7 | sea blue | | | |
| | 9S5 | terracotta | | | | | 5Y2 | palmgreen | | | |
| | 9V6 | cocoa | | | | | 8X8 | terracotta | | | |
| | D12 | dark grey/natural | | | | | 8P9 | cocoa | | | |
| | T12 | brown/natural | | | | | T13 | brown/natural | | | |
| 33 | 997 552 983 03 | defroster trim | /L | 1 | IXJR | (34) | 997 552 985 00 | cover centre | | 1 | IXV1 |
| | A11 | black | | | | | A11 | black | | | |
| | 5X6 | stone grey | | | | | 5X6 | stone grey | | | |
| | 8G2 | sand beige | | | | | | | | | |

| | | | | | | | | | | | |
|-------|------|----|----|--------------|--------------|--------|------|------------|---------|-----|---------|
| Model | Year | MG | SG | Illustration | Restrictions | Update | | | | | |
| 997 | 07 | 8 | 09 | 809-00 | | 203 | 7:42 | 28.08.2006 | PORSCHE | PET | PORSCHE |

| Pos | Part Number | Name | Remarks | Qty | Model | Pos | Part Number | Name | Remarks | Qty | Model |
|------|----------------|-----------------------|---------|-----|-------|------|----------------|------------------------------|---------|-----|-------|
| | | 8G2 sand beige | | | | | A11 | black | | | |
| | | 3S9 sea blue | | | | | 5X6 | stone grey | | | |
| | | 4P2 palmgreen | | | | | 8G2 | sand beige | | | |
| | | 9S5 terracotta | | | | | 3S9 | sea blue | | | |
| | | 9V6 cocoa | | | | | 4P2 | palmgreen | | | |
| | | D12 dark grey/natural | | | | | 9S5 | terracotta | | | |
| | | T12 brown/natural | | | | | 9V6 | cocoa | | | |
| (34) | 997 552 985 00 | cover centre | | 1 | IXKJ | | D12 | dark grey/natural | | | |
| | | A11 black | | | | | T12 | brown/natural | | | |
| | | 5X6 stone grey | | | | 36 | 997 552 645 00 | gasket cowl | | 1 | |
| | | 8G2 sand beige | | | | 37 | 997 552 481 00 | insert a-pillar | /L | 1 | |
| | | 3S9 sea blue | | | | (37) | 997 552 482 00 | insert a-pillar | /R | 1 | |
| | | 4P2 palmgreen | | | | 38 | 999 591 307 01 | u-clamp mount defroster trim | | 2 | |
| | | 9S5 terracotta | | | | | | | | | |
| | | 9V6 cocoa | | | | | | | | | |
| | | D12 dark grey/natural | | | | | | | | | |
| | | T12 brown/natural | | | | | | | | | |
| (34) | 997 552 985 00 | cover centre | | 1 | IXJS | | | | | | |
| | | A11 black | | | | | | | | | |
| | | 5X6 stone grey | | | | | | | | | |
| | | 8G2 sand beige | | | | | | | | | |
| | | 3S9 sea blue | | | | | | | | | |
| | | 4P2 palmgreen | | | | | | | | | |
| | | 9S5 terracotta | | | | | | | | | |
| | | 9V6 cocoa | | | | | | | | | |
| | | D12 dark grey/natural | | | | | | | | | |
| | | T12 brown/natural | | | | | | | | | |
| (34) | 997 552 985 00 | cover centre | | 1 | IXJR | | | | | | |

- - - E N D - - -

| | | | | | | | | | | | |
|-------|------|----|----|--------------|--------------|--------|------|------------|---------|-----|---------|
| Model | Year | MG | SG | Illustration | Restrictions | Update | 7:42 | 28.08.2006 | PORSCHE | PET | PORSCHE |
| 997 | 07 | 8 | 09 | 809-03 | | 203 | | | | | |



| Pos | Part Number | Name | Remarks | Qty | Model |
|-----|----------------|--|---------|-----|----------|
| 1 | 997 552 201 02 | glove compartment cover and lining driver's side lining leatherette | /LL | 1 | I098 |
| | 1MZ | black | | | |
| | 1YP | stone grey | | | |
| | 1TK | sand beige | | | |
| | 1VM | sea blue | | | |
| | 1UL | palmgreen | | | |
| (1) | 997 552 202 02 | lining leatherette | /RL | 1 | I099 |
| | 1MZ | black | | | |
| | 1YP | stone grey | | | |
| | 1TK | sand beige | | | |
| | 1VM | sea blue | | | |
| | 1UL | palmgreen | | | |
| 1 | 997 552 201 03 | lining leather | /LL | 1 | I098/981 |
| | A11 | black | | | |
| | 5X6 | stone grey | | | |
| | 8G2 | sand beige | | | |
| | 3S9 | sea blue | | | |
| | 4P2 | palmgreen | | | |
| | 9S5 | terracotta | | | |
| | 9V6 | cocoa | | | |
| | D12 | dark grey/natural | | | |
| | T12 | brown/natural | | | |
| (1) | 997 552 202 03 | lining leather | /RL | 1 | I098/981 |
| | A11 | black | | | |

| | | | | | | | | | | | |
|-------|------|----|----|--------------|--------------|--------|------|------------|---------|-----|---------|
| Model | Year | MG | SG | Illustration | Restrictions | Update | 7:42 | 28.08.2006 | PORSCHE | PET | PORSCHE |
| 997 | 07 | 8 | 09 | 809-03 | | 203 | | | | | |

| Pos | Part Number | Name | Remarks | Qty | Model | Pos | Part Number | Name | Remarks | Qty | Model |
|-----|----------------|---|---------|-----|-------|-----|----------------|--|---------|-----|-------|
| | 5X6 | stone grey | | | | 6 | 999 073 155 09 | tapping screw 4,2 X 13 for mount cover light switch | | 3 | |
| | 8G2 | sand beige | | | | | | | | | |
| | 3S9 | sea blue | | | | | | | | | |
| | 4P2 | palmgreen | | | | | | | | | |
| | 9S5 | terracotta | | | | 7 | 999 507 971 01 | speed nut 4,2 for mount cover light switch | | 3 | |
| | 9V6 | cocoa | | | | | | | | | |
| | D12 | dark grey/natural | | | | | | | | | |
| | T12 | brown/natural | | | | 8 | 997 552 425 01 | cover ignition starter lock | /LL | 1 | I098 |
| 2 | 999 073 155 09 | tapping screw 4,2 X 13 for mount lining | | 8 | | | A03 | black | | | |
| 3 | 999 507 971 01 | speed nut 4,2 for mount lining | | 8 | | | 5V7 | stone grey | | | |
| | | | | | | | 5Z1 | sand beige | | | |
| 4 | 999 507 732 01 | clamp 8 X 12/ 4 for mount lining | | 7 | | | 8W7 | sea blue | | | |
| | | | | | | | 5Y2 | palmgreen | | | |
| 5 | 997 552 427 01 | cover light switch | | 1 | | (8) | 997 552 426 01 | cover ignition starter lock | /RL | 1 | I099 |
| | A03 | black | | | | | A03 | black | | | |
| | 5V7 | stone grey | | | | | 5V7 | stone grey | | | |
| | 5Z1 | sand beige | | | | | 5Z1 | sand beige | | | |
| | 8W7 | sea blue | | | | | 8W7 | sea blue | | | |
| | 5Y2 | palmgreen | | | | | 5Y2 | palmgreen | | | |
| | 8X8 | terracotta | | | | | 8X8 | terracotta | | | |
| | 8P9 | cocoa | | | | | 8P9 | cocoa | | | |
| | T13 | brown/natural | | | | | T13 | brown/natural | | | |
| | | | | | | 9 | 997 552 405 02 | cover | /L | 1 | |
| | | | | | | | A03 | black | | | |
| | | | | | | | 5V7 | stone grey | | | |

| | | | | | | | | | | | |
|-------|------|----|----|--------------|--------------|--------|------|------------|---------|-----|---------|
| Model | Year | MG | SG | Illustration | Restrictions | Update | | | | | |
| 997 | 07 | 8 | 09 | 809-03 | | 203 | 7:42 | 28.08.2006 | PORSCHE | PET | PORSCHE |

| Pos | Part Number | Name | Remarks | Qty | Model | Pos | Part Number | Name | Remarks | Qty | Model |
|-----|----------------|--|---------|-----|-------|------|----------------|--|---------|-----|----------|
| | 5Z1 | sand beige | | | | | 1UL | palmgreen | | | |
| | 8W7 | sea blue | | | | (10) | 997 552 203 04 | glove compartment leatherette complete | /RL | 1 | I099 |
| | 5Y2 | palmgreen | | | | | 1MZ | black | | | |
| | 8X8 | terracotta | | | | | 1YP | stone grey | | | |
| | 8P9 | cocoa | | | | | 1TK | sand beige | | | |
| | T13 | brown/natural | | | | | 1VM | sea blue | | | |
| (9) | 997 552 406 02 | cover lateral driver's side | /R | 1 | | | 1UL | palmgreen | | | |
| | A03 | black | | | | 10 | 997 552 204 03 | glove compartment leather complete | /LL 05 | 1 | I098/981 |
| | 5V7 | stone grey | | | | | A11 | black | | | |
| | 5Z1 | sand beige | | | | | 5X6 | stone grey | | | |
| | 8W7 | sea blue | | | | | 8G2 | sand beige | | | |
| | 5Y2 | palmgreen | | | | | 3S9 | sea blue | | | |
| | 8X8 | terracotta | | | | | 4P2 | palmgreen | | | |
| | 8P9 | cocoa | | | | | 9S5 | terracotta | | | |
| | T13 | brown/natural | | | | | 9V6 | cocoa | | | |
| 10 | 997 552 204 02 | glove compartment leatherette complete | /LL 05 | 1 | I098 | | D12 | dark grey/natural | | | |
| | 1MZ | black | | | | | T12 | brown/natural | | | |
| | 1YP | stone grey | | | | 10 | 997 552 204 05 | glove compartment leather complete | /LL 06- | 1 | I098/981 |
| | 1TK | sand beige | | | | | A11 | black | | | |
| | 1VM | sea blue | | | | | 5X6 | stone grey | | | |
| | 1UL | palmgreen | | | | | 8G2 | sand beige | | | |
| 10 | 997 552 204 04 | glove compartment leatherette complete | /LL 06- | 1 | I098 | | 3S9 | sea blue | | | |
| | 1MZ | black | | | | | 4P2 | palmgreen | | | |
| | 1YP | stone grey | | | | | 9S5 | terracotta | | | |
| | 1TK | sand beige | | | | | 9V6 | cocoa | | | |
| | 1VM | sea blue | | | | | D12 | dark grey/natural | | | |

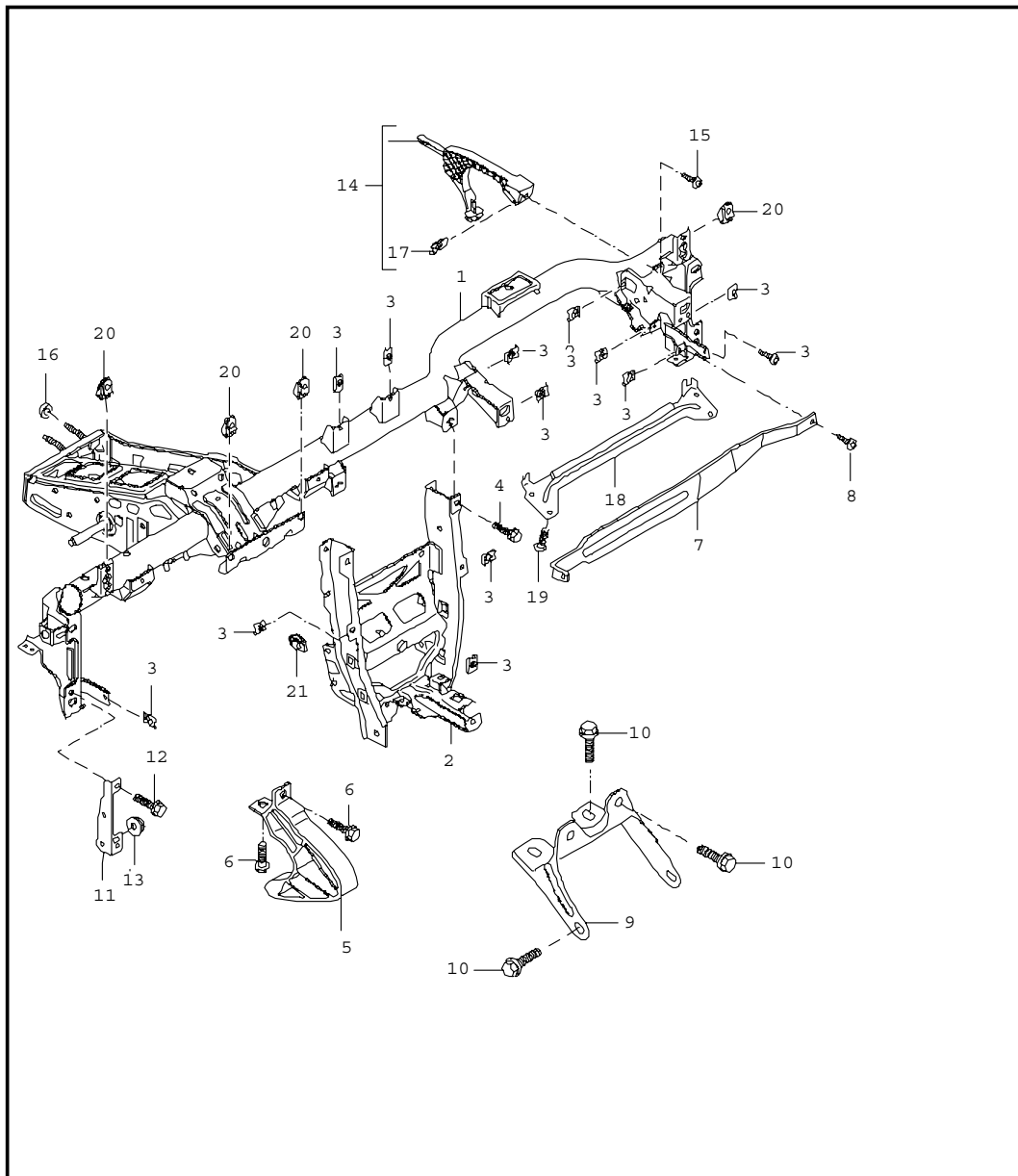
| | | | | | | | | | | | |
|-------|------|----|----|--------------|--------------|--------|------|------------|---------|-----|---------|
| Model | Year | MG | SG | Illustration | Restrictions | Update | 7:42 | 28.08.2006 | PORSCHE | PET | PORSCHE |
| 997 | 07 | 8 | 09 | 809-03 | | 203 | | | | | |

| Pos | Part Number | Name | Remarks | Qty | Model | Pos | Part Number | Name | Remarks | Qty | Model |
|------|----------------|--|---------|-----|----------|------|----------------|---|---------|-----|-------|
| (10) | 997 552 203 05 | T12 brown/natural glove compartment leather complete | /RL | 1 | I099/981 | 18 | 997 555 533 01 | stop glove compartment F >>996S7 00479 F >>996S7 00483 F >>996S7 30971 F >>996S7 30981 F >>996S7 60450 F >>996S7 60448 | | 2 | |
| | A11 | black | | | | | | | | | |
| | 5X6 | stone grey | | | | 18 | 999 703 068 40 | buffer 3,7 x 10,3 glove compartment F 996S7 00480>> F 996S7 00484>> F 996S7 30972>> F 996S7 30982>> F 996S7 60451>> F 996S7 60449>> | | 2 | |
| | 8G2 | sand beige | | | | | | | | | |
| | 3S9 | sea blue | | | | | | | | | |
| | 4P2 | palmgreen | | | | | | | | | |
| | 9S5 | terracotta | | | | | | | | | |
| | 9V6 | cocoa | | | | | | | | | |
| | D12 | dark grey/natural | | | | 19 | 997 552 509 02 | mounting end plate | /LL/L | 1 | I098 |
| | T12 | brown/natural | | | | (19) | 997 552 510 02 | mounting end plate | /LL/R | 1 | I098 |
| 11 | 999 073 155 09 | tapping screw 4,2 X 13 for mount glove compartment | | X | | (19) | 997 552 509 03 | mounting end plate | /RL/L | 1 | I099 |
| 12 | 999 507 971 01 | speed nut 4,2 for mount glove compartment | | X | | (19) | 997 552 510 03 | mounting end plate | /RL/R | 1 | I099 |
| 13 | 999 507 732 01 | clamp 8 X 12 /4 for mount glove compartment | | X | | 20 | 996 552 813 00 | support pin | | 2 | |
| 14 | 997 552 484 01 | damper glove compartment | | 1 | | 21 | 996 552 879 00 | adapter for damper | | 2 | |
| 15 | 997 552 612 00 | cover damper | | 1 | | 22 | 997 612 651 00 | wiring harness glove compartment light | | 1 | |
| 16 | 997 552 410 01 | release glove compartment | /LL | 1 | I098 | 23 | 999 650 564 40 | clip for wiring harness microswitch | | 1 | |
| (16) | 997 552 409 01 | release glove compartment | /RL | 1 | I099 | 24 | 999 650 565 40 | clip for wiring harness | | 1 | |
| 17 | 996 552 915 00 | lock cylinder glove compartment state lock number | | 1 | | 25 | 997 632 071 00 | glove compartment light | | 1 | |
| | | | | | | 26 | 997 552 252 02 | glove box cover leatherette | /LL | 1 | I098 |
| | | | | | | | 1MZ | black | | | |
| | | | | | | | 1YP | stone grey | | | |

| | | | | | | | | | | | |
|-------|------|----|----|--------------|--------------|--------|------|------------|---------|-----|---------|
| Model | Year | MG | SG | Illustration | Restrictions | Update | 7:42 | 28.08.2006 | PORSCHE | PET | PORSCHE |
| 997 | 07 | 8 | 09 | 809-03 | | 203 | | | | | |

| Pos | Part Number | Name | Remarks | Qty | Model | Pos | Part Number | Name | Remarks | Qty | Model |
|------|----------------|--------------------------------|---------|-----|----------|------|----------------|---|---------|-----|-------|
| | | 1TK sand beige | | | | | T12 | brown/natural | | | |
| | | 1VM sea blue | | | | 27 | 999 073 249 07 | tapping screw 3.5 X 12 for mount | | 11 | |
| | | 1UL palmgreen | | | | | | glove box cover | | | |
| (26) | 997 552 251 02 | glove box cover leatherette | /RL | 1 | I099 | | | | | | |
| | | 1MZ black | | | | 28 | 997 552 362 01 | handle complete | /LL | 1 | I098 |
| | | 1YP stone grey | | | | | A03 | black | | | |
| | | 1TK sand beige | | | | | 5V7 | stone grey | | | |
| | | 1VM sea blue | | | | | 5Z1 | sand beige | | | |
| | | 1UL palmgreen | | | | | 8W7 | sea blue | | | |
| 26 | 997 552 252 03 | glove box cover leather | /LL | 1 | I098/981 | | 5Y2 | palmgreen | | | |
| | | A11 black | | | | | 8X8 | terracotta | | | |
| | | 5X6 stone grey | | | | | 8P9 | cocoa | | | |
| | | 8G2 sand beige | | | | | T13 | brown/natural | | | |
| | | 3S9 sea blue | | | | (28) | 997 552 361 01 | handle complete | /RL | 1 | I099 |
| | | 4P2 palmgreen | | | | | A03 | black | | | |
| | | 9S5 terracotta | | | | | 5V7 | stone grey | | | |
| | | 9V6 cocoa | | | | | 5Z1 | sand beige | | | |
| | | D12 dark grey/natural | | | | | 8W7 | sea blue | | | |
| | | T12 brown/natural | | | | | 5Y2 | palmgreen | | | |
| (26) | 997 552 251 03 | glove box cover leather | /RL | 1 | I099/981 | | 8X8 | terracotta | | | |
| | | A11 black | | | | | 8P9 | cocoa | | | |
| | | 5X6 stone grey | | | | | T13 | brown/natural | | | |
| | | 8G2 sand beige | | | | 29 | 999 073 240 02 | screw M 4 X 10 for mount handle | | 2 | |
| | | 3S9 sea blue | | | | | | | | | |
| | | 4P2 palmgreen | | | | | | | | | |
| | | 9S5 terracotta | | | | 30 | 997 552 448 00 | stop | | 1 | |
| | | 9V6 cocoa | | | | 31 | 997 552 663 00 | box for cds | | 1 | I424 |
| | | D12 dark grey/natural | | | | | | | | | |

| | | | | | | | | | | | |
|-------|------|----|----|--------------|--------------|--------|------|------------|---------|-----|---------|
| Model | Year | MG | SG | Illustration | Restrictions | Update | 7:42 | 28.08.2006 | PORSCHE | PET | PORSCHE |
| 997 | 07 | 8 | 09 | 809-04 | | 203 | | | | | |

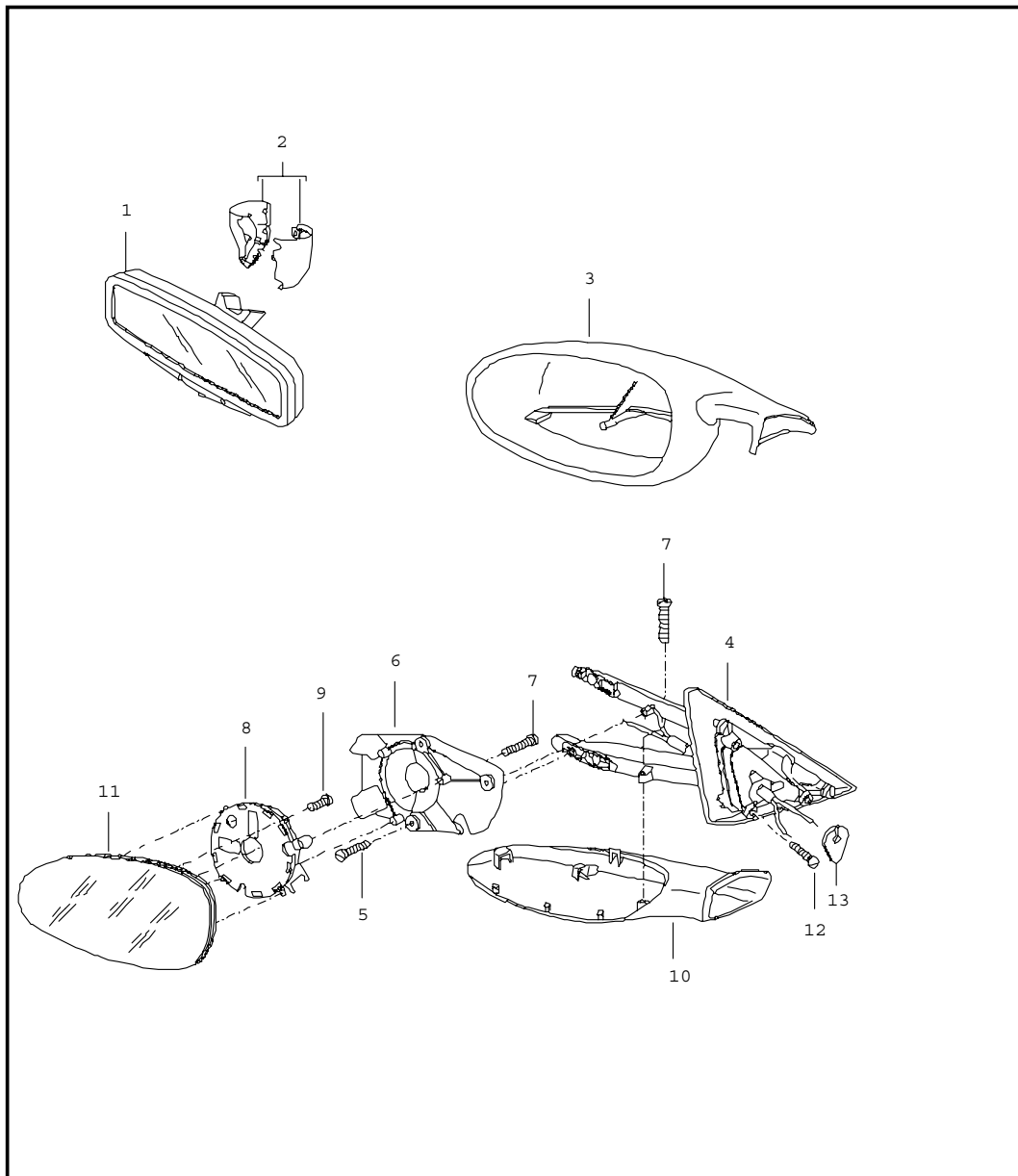


| Pos | Part Number | Name | Remarks | Qty | Model |
|------|----------------|--|---------|-----|-------|
| | | retaining frame dashboard | | | |
| 1 | 997 552 063 03 | retaining frame | /LL | 1 | |
| (1) | 997 552 063 04 | retaining frame | /RL | 1 | |
| 2 | 997 552 163 03 | support tunnel | /LL | 1 | |
| (2) | 997 552 163 04 | support tunnel | /RL | 1 | |
| 3 | 999 507 020 02 | speed nut ST 4,2 | | X | |
| 4 | 900 378 175 09 | hexagon-head bolt M 8 X 65 for mount support | | 2 | |
| 9 | 997 552 515 01 | support tunnel | | 1 | |
| 10 | 900 075 432 02 | screw M 6 X 18 for mount support tunnel | -06 | X | |
| 10 N | 999 217 098 01 | screw M 6 X 25 for mount support tunnel | 07- | X | |
| 11 | 997 552 407 01 | support a-pillar | /L | 1 | |
| (11) | 997 552 408 01 | support a-pillar | /R | 1 | |
| 12 | 900 378 176 09 | hexagon-head bolt M 8 X 20 for mount support a-pillar | | 4 | |
| 13 | 999 084 630 09 | hexagon nut M 8 for mount support a-pillar | | 4 | |

| | | | | | | | | | | | |
|-------|------|----|----|--------------|--------------|--------|------|------------|---------|-----|---------|
| Model | Year | MG | SG | Illustration | Restrictions | Update | | | | | |
| 997 | 07 | 8 | 09 | 809-04 | | 203 | 7:42 | 28.08.2006 | PORSCHE | PET | PORSCHE |

| Pos | Part Number | Name | Remarks | Qty | Model | Pos | Part Number | Name | Remarks | Qty | Model |
|-----|----------------|--|---------|-----|-------|-----|-------------|------|---------|-----|-------|
| 14 | 997 552 401 00 | support heating | | 1 | | | | | | | |
| 15 | 999 073 155 09 | tapping screw ST 4,2 X 13 for mount support heating | | 1 | | | | | | | |
| 16 | 997 423 299 01 | nut for adjustment retaining frame firewall | | 2 | | | | | | | |
| 17 | 999 507 971 01 | speed nut ST 4,2 for mount support heating | | 1 | | | | | | | |
| 18 | 997 552 603 01 | reinforcement plate support airbag | | 1 | | | | | | | |
| 19 | 900 378 222 09 | hexagon-head bolt M 6 X 16 | | 4 | | | | | | | |
| 20 | 999 591 850 02 | speed nut ST 4,2 ST 4,2 | | X | | | | | | | |
| | | - - - E N D - - - | | | | | | | | | |

| | | | | | | | | | | | |
|-------|------|----|----|--------------|--------------|--------|------|------------|---------|-----|---------|
| Model | Year | MG | SG | Illustration | Restrictions | Update | 7:43 | 28.08.2006 | PORSCHE | PET | PORSCHE |
| 997 | 07 | 8 | 09 | 809-10 | | 203 | | | | | |



| Pos | Part Number | Name | Remarks | Qty | Model |
|-----|----------------|-----------------|---------|-----|----------|
| 1 | 997 731 511 01 | interior mirror | | 1 | I267 |
| (1) | 997 731 511 02 | interior mirror | | 1 | |
| | 01C | satin black | | | |
| 2 | 997 731 811 00 | cover | /L | 1 | |
| | 01C | satin black | | | |
| (2) | 997 731 812 00 | cover | /R | 1 | |
| | 01C | satin black | | | |
| 3 | 997 731 619 00 | housing | /L | 1 | |
| | G2L | prime coated | | | |
| (3) | 997 731 620 00 | housing | /R | 1 | |
| | G2L | prime coated | | | |
| 4 | 997 731 219 00 | mirror base | /LL/L | 1 | I098 |
| | G2L | prime coated | | | |
| (4) | 997 731 220 00 | mirror base | /LL/R | 1 | I098 |
| | G2L | prime coated | | | |
| (4) | 997 731 219 01 | mirror base | /LL/L | 1 | I537 |
| | G2L | prime coated | | | |
| (4) | 997 731 220 01 | mirror base | /LL/R | 1 | I537 |
| | G2L | prime coated | | | |
| (4) | 997 731 219 02 | mirror base | /LL/L | 1 | I098/267 |
| | G2L | prime coated | | | |
| (4) | 997 731 220 02 | mirror base | /LL/R | 1 | I098/267 |
| | G2L | prime coated | | | |
| (4) | 997 731 219 03 | mirror base | /LL/L | 1 | I267/537 |
| | | door mirror | | | |

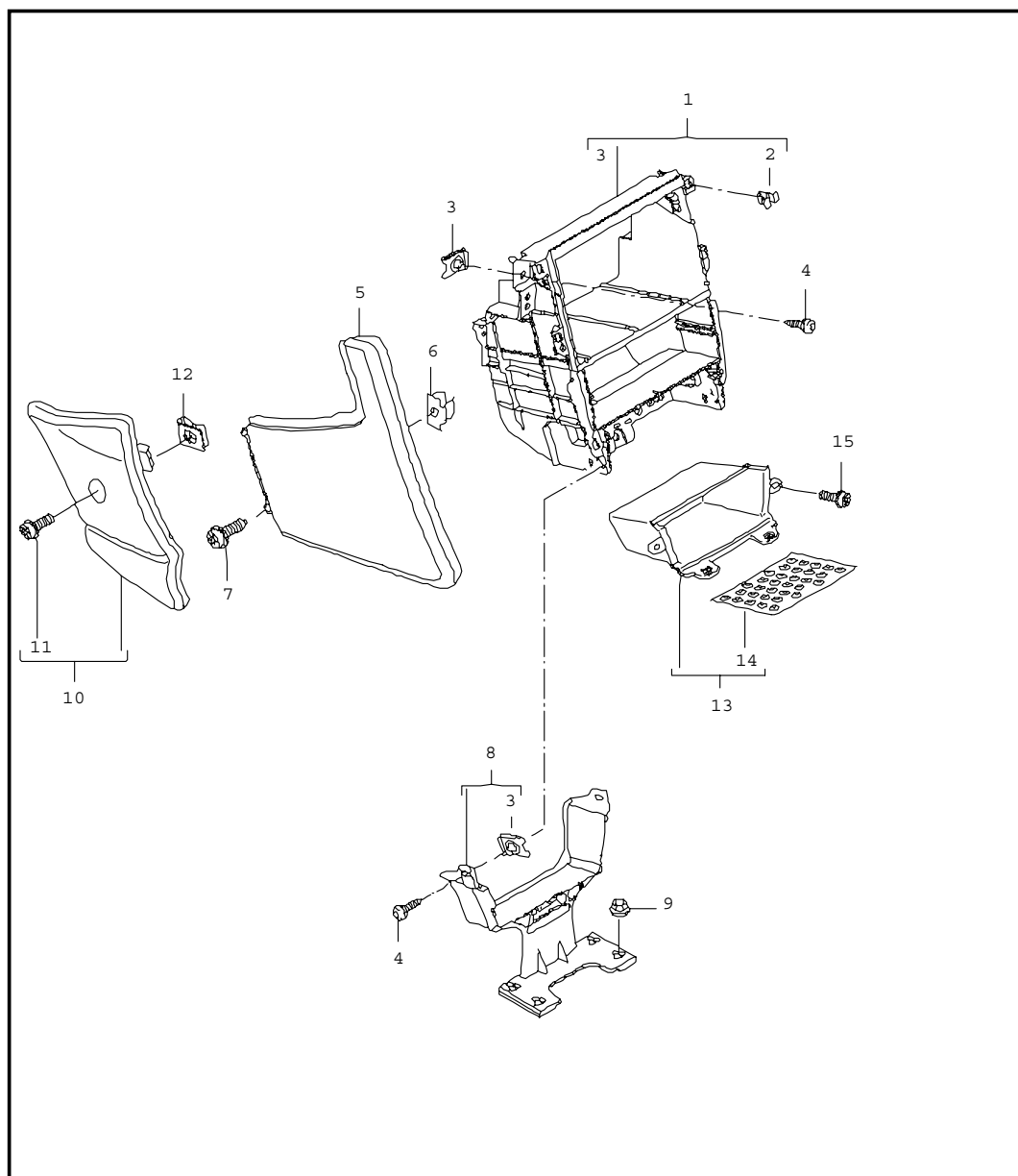
| | | | | | | | | | | | |
|-------|------|----|----|--------------|--------------|--------|------|------------|---------|-----|---------|
| Model | Year | MG | SG | Illustration | Restrictions | Update | 7:43 | 28.08.2006 | PORSCHE | PET | PORSCHE |
| 997 | 07 | 8 | 09 | 809-10 | | 203 | | | | | |

| Pos | Part Number | Name | Remarks | Qty | Model | Pos | Part Number | Name | Remarks | Qty | Model |
|-----|----------------|--------------------------|---------|-----|----------|------|------------------|---------------------------------|---------|-----|--------------|
| | | G2L prime coated | | | | 8 | 997 624 047 00 | adjusting motor | | 2 | |
| (4) | 997 731 220 03 | mirror base door mirror | /LL/R | 1 | I267/537 | (8) | 997 624 048 00 | adjusting motor | | 2 | I537/538 |
| | | G2L prime coated | | | | 9 | 999 141 043 02 | oval-head screw M 3,0 X 14 | | 3 | |
| (4) | 997 731 219 04 | mirror base door mirror | /RL/L | 1 | I099 | 10 | 997 731 719 00 | cover lower | /L | 1 | |
| | | G2L prime coated | | | | | G2L prime coated | | | | |
| (4) | 997 731 220 04 | mirror base door mirror | /RL/R | 1 | I099 | (10) | 997 731 720 00 | cover lower | /R | 1 | |
| | | G2L prime coated | | | | | G2L prime coated | | | | |
| (4) | 997 731 219 05 | mirror base door mirror | RL/L | 1 | I538 | 11 | 997 731 035 00 | mirror glass plan | /LL/L | 1 | I098/270 |
| | | G2L prime coated | | | | (11) | 997 731 035 01 | mirror glass aspherical | /LL/L | 1 | I098/271 |
| (4) | 997 731 220 05 | mirror base door mirror | RL/R | 1 | I538 | (11) | 997 731 035 02 | mirror glass plan dipping | /LL/L | 1 | I098/267/270 |
| | | G2L prime coated | | | | (11) | 997 731 035 03 | mirror glass aspherical dipping | /LL/L | 1 | I098/267/271 |
| (4) | 997 731 219 06 | mirror base door mirror | /RL/L | 1 | I099/267 | (11) | 997 731 037 00 | mirror glass convex | /RL/L | 1 | I099 |
| | | G2L prime coated | | | | (11) | 997 731 037 01 | mirror glass convex dipping | /RL/L | 1 | I099/267 |
| (4) | 997 731 220 06 | mirror base door mirror | /RL/R | 1 | I099/267 | (11) | 997 731 037 01 | mirror glass convex dipping | /RL/L | 1 | I099/267 |
| | | G2L prime coated | | | | (11) | 997 731 037 01 | mirror glass convex dipping | /RL/L | 1 | I099/267 |
| (4) | 997 731 219 07 | mirror base door mirror | RL/L | 1 | I267/538 | (11) | 997 731 038 00 | mirror glass convex | /LL/R | 1 | I098 |
| | | G2L prime coated | | | | (11) | 997 731 038 01 | mirror glass convex | /LL/R | 1 | (ROK) |
| (4) | 997 731 220 07 | mirror base door mirror | RL/R | 1 | I267/538 | (11) | 997 731 038 01 | mirror glass convex | /LL/R | 1 | (ROK) |
| | | G2L prime coated | | | | (11) | 997 731 038 02 | mirror glass convex | /LL/R | 1 | I215 |
| 5 | 999 919 024 09 | oval-head screw 3,0 X 12 | | 3 | | (11) | 997 731 038 02 | mirror glass convex | /LL/R | 1 | I215 |
| 6 | 997 731 519 00 | plate door mirror | /L | 1 | | (11) | 997 731 038 03 | mirror glass convex dipping | /LL/R | 1 | I098/267 |
| (6) | 997 731 520 00 | plate door mirror | /R | 1 | | (11) | 997 731 038 04 | mirror glass convex dipping | /LL/R | 1 | I267 (ROK) |
| 7 | 999 141 043 02 | oval-head screw M 3 X 14 | | 4 | | (11) | 997 731 038 05 | mirror glass convex dipping | /LL/R | 1 | I215/267 |

| | | | | | | | | | | | |
|-------|------|----|----|--------------|--------------|--------|------|------------|---------|-----|---------|
| Model | Year | MG | SG | Illustration | Restrictions | Update | | | | | |
| 997 | 07 | 8 | 09 | 809-10 | | 203 | 7:43 | 28.08.2006 | PORSCHE | PET | PORSCHE |

| Pos | Part Number | Name | Remarks | Qty | Model | Pos | Part Number | Name | Remarks | Qty | Model |
|------|----------------|---------------------------------------|---------|-----|--------------|-----|-------------|------|---------|-----|-------|
| (11) | 997 731 036 00 | mirror glass plan | /RL/R | 1 | I099/270 | | | | | | |
| (11) | 997 731 036 01 | mirror glass aspherical | /RL/R | 1 | I099/271 | | | | | | |
| (11) | 997 731 036 02 | mirror glass plan dipping | /RL/R | 1 | I099/267/270 | | | | | | |
| (11) | 997 731 036 03 | mirror glass aspherical dipping | /RL/R | 1 | I099/267/271 | | | | | | |
| 12 | 999 073 345 09 | lens-head screw M 5 X 18 | | 3 | | | | | | | |
| 13 | 997 537 731 00 | seal cable plug mirror base | | 1 | | | | | | | |
| | | - - - E N D - - - | | | | | | | | | |

| | | | | | | | | | | | |
|-------|------|----|----|--------------|--------------|--------|------|------------|---------|-----|---------|
| Model | Year | MG | SG | Illustration | Restrictions | Update | 7:43 | 28.08.2006 | PORSCHE | PET | PORSCHE |
| 997 | 07 | 8 | 09 | 809-15 | | 203 | | | | | |



| Pos | Part Number | Name | Remarks | Qty | Model |
|-----|----------------|------------------------------|---------|-----|-----------|
| 1 | 997 553 111 01 | centre console front | | 1 | |
| 2 | 999 507 476 01 | bracket centre console front | | 6 | |
| 3 | 999 507 971 01 | clamp 8,0 X 10,0/2,5 | | X | |
| 4 | 999 073 155 09 | speed nut st 4,2 | | X | |
| 5 | 997 553 117 01 | tapping screw st 4,2 x 13 | | 1 | |
| | | cover lateral leatherette | /L | | |
| | | 9L4 black | | | |
| | | 9M5 stone grey | | | |
| | | 9C6 sand beige | | | |
| | | 9D7 sea blue | | | |
| | | 9E8 palmgreen | | | |
| (5) | 997 553 118 01 | cover lateral leatherette | /R | 1 | |
| | | 9L4 black | | | |
| | | 9M5 stone grey | | | |
| | | 9C6 sand beige | | | |
| | | 9D7 sea blue | | | |
| | | 9E8 palmgreen | | | |
| 5 | 997 553 117 06 | cover lateral leather | /LL/L | 1 | I098/I618 |
| | | FSA black/grey | | | |
| | | FSB stone grey/stone grey | | | |
| | | FSC sand beige/sand beige | | | |
| | | FSD seeblue/grey | | | |
| | | FSE palm-green/palm-green | | | |

| | | | | | | | | | | | |
|-------|------|----|----|--------------|--------------|--------|------|------------|---------|-----|---------|
| Model | Year | MG | SG | Illustration | Restrictions | Update | | | | | |
| 997 | 07 | 8 | 09 | 809-15 | | 203 | 7:43 | 28.08.2006 | PORSCHE | PET | PORSCHE |

| Pos | Part Number | Name | Remarks | Qty | Model | Pos | Part Number | Name | Remarks | Qty | Model |
|-----|----------------|---------------------------|---------|-----|-----------|-----|----------------|---------------------------|---------|-----|-----------|
| | | FSF terrakotta/terrakotta | | | | | | FSB stone grey/stone grey | | | |
| | | FSG cocoa/cocoa | | | | | | FSC sand beige/sand beige | | | |
| | | FSH darkgrey natural/grey | | | | | | FSD seeblue/grey | | | |
| | | FSJ brown nat./brown nat. | | | | | | FSE palm-green/palm-green | | | |
| 5 | 997 553 117 06 | cover lateral leather | /LL/L | 1 | I098/I668 | | | FSF terrakotta/terrakotta | | | |
| | | FSA black/grey | | | | | | FSG cocoa/cocoa | | | |
| | | FSB stone grey/stone grey | | | | | | FSH darkgrey natural/grey | | | |
| | | FSC sand beige/sand beige | | | | (5) | 997 553 118 06 | cover lateral leather | /RL/R | 1 | I099/I668 |
| | | FSD seeblue/grey | | | | | | FSA black/grey | | | |
| | | FSE palm-green/palm-green | | | | | | FSB stone grey/stone grey | | | |
| | | FSF terrakotta/terrakotta | | | | | | FSC sand beige/sand beige | | | |
| | | FSG cocoa/cocoa | | | | | | FSD seeblue/grey | | | |
| | | FSH darkgrey natural/grey | | | | | | FSE palm-green/palm-green | | | |
| | | FSJ brown nat./brown nat. | | | | | | FSF terrakotta/terrakotta | | | |
| 5 | 997 553 117 06 | cover lateral leather | /L | 1 | I981 | | | FSG cocoa/cocoa | | | |
| | | FSA black/grey | | | | | | FSH darkgrey natural/grey | | | |
| | | FSB stone grey/stone grey | | | | | | FSJ brown nat./brown nat. | | | |
| | | FSC sand beige/sand beige | | | | (5) | 997 553 118 06 | cover lateral leather | /R | 1 | I981 |
| | | FSD seeblue/grey | | | | | | FSA black/grey | | | |
| | | FSE palm-green/palm-green | | | | | | FSB stone grey/stone grey | | | |
| | | FSF terrakotta/terrakotta | | | | | | FSC sand beige/sand beige | | | |
| | | FSG cocoa/cocoa | | | | | | FSD seeblue/grey | | | |
| | | FSH darkgrey natural/grey | | | | | | FSE palm-green/palm-green | | | |
| | | FSJ brown nat./brown nat. | | | | | | FSF terrakotta/terrakotta | | | |
| (5) | 997 553 118 06 | cover lateral leather | /RL/R | 1 | I099/I618 | | | FSG cocoa/cocoa | | | |
| | | FSA black/grey | | | | | | FSH darkgrey natural/grey | | | |

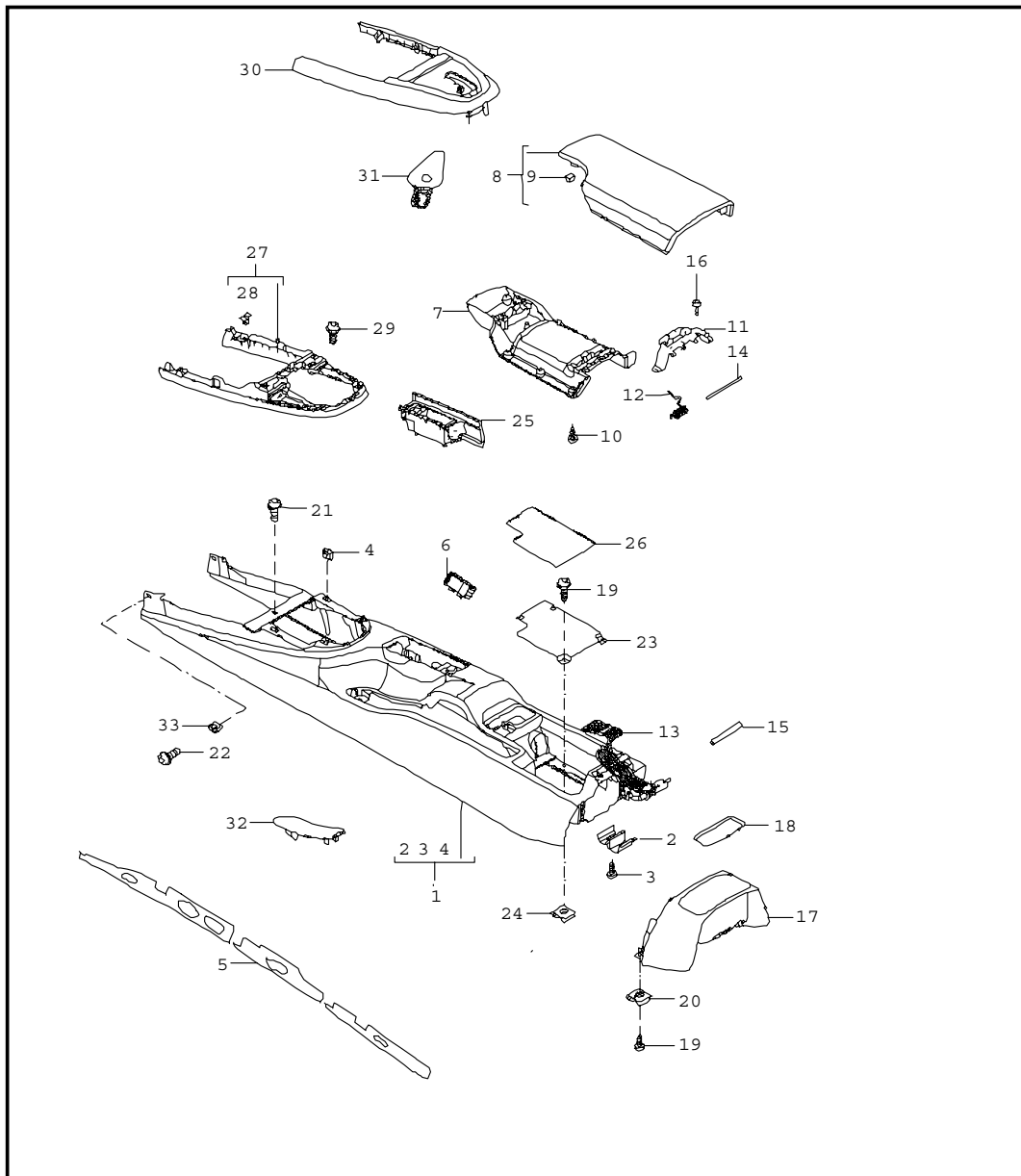
| | | | | | | | | | | | |
|-------|------|----|----|--------------|--------------|--------|------|------------|---------|-----|---------|
| Model | Year | MG | SG | Illustration | Restrictions | Update | 7:43 | 28.08.2006 | PORSCHE | PET | PORSCHE |
| 997 | 07 | 8 | 09 | 809-15 | | 203 | | | | | |

| Pos | Part Number | Name | Remarks | Qty | Model | Pos | Part Number | Name | Remarks | Qty | Model |
|------|----------------|---------------------------|----------|-----|-------|------|----------------|----------------------|----------|-----|-------|
| | FSJ | brown nat./brown nat. | | | | | T10 | sand beige | | | |
| | | cover | | 1 | | | E10 | sea blue | | | |
| | | lateral | | | | | J10 | palmgreen | | | |
| | | with | | | | | M10 | terracotta | | | |
| | | preparation for telephone | | | | | R10 | cocoa | | | |
| | | see group | | | | | D11 | dark grey/natural | | | |
| | | 9/11/10 | | | | | T11 | brown/natural | | | |
| 6 | 999 591 508 02 | captive nut | | 4 | | (10) | 997 553 132 02 | cover | /RL/R-05 | 1 | I099 |
| | | ST 4,2 | | | | | | footwell outlet vent | | | |
| | | for | | | | | | carpet | | | |
| | | mount | | | | | A10 | black | | | |
| | | cover | | | | | B10 | stone grey | | | |
| | | lateral | | | | | T10 | sand beige | | | |
| 7 | 999 073 226 09 | tapping screw | | 4 | | | E10 | sea blue | | | |
| | | ST 4,2 X 16 | | | | | J10 | palmgreen | | | |
| | | for | | | | | M10 | terracotta | | | |
| | | mount | | | | | R10 | cocoa | | | |
| | | cover | | | | | D11 | dark grey/natural | | | |
| | | lateral | | | | | T11 | brown/natural | | | |
| 8 | 997 553 361 01 | support | | 1 | | (10) | 997 553 131 02 | cover | /RL/L-05 | 1 | I099 |
| | | centre | | | | | | footwell outlet vent | | | |
| | | | | | | | | carpet | | | |
| 9 | 999 084 629 09 | hexagon nut | | 4 | | | A10 | black | | | |
| | | m 6 | | | | | B10 | stone grey | | | |
| 10 | 997 553 131 01 | cover | /LL/L-05 | 1 | I098 | | T10 | sand beige | | | |
| | | footwell outlet vent | | | | | E10 | sea blue | | | |
| | | carpet | | | | | J10 | palmgreen | | | |
| | A10 | black | | | | | M10 | terracotta | | | |
| | B10 | stone grey | | | | | R10 | cocoa | | | |
| | T10 | sand beige | | | | | D11 | dark grey/natural | | | |
| | E10 | sea blue | | | | | T11 | brown/natural | | | |
| | J10 | palmgreen | | | | | | | | | |
| | M10 | terracotta | | | | | | | | | |
| | R10 | cocoa | | | | | | | | | |
| | D11 | dark grey/natural | | | | | | | | | |
| | T11 | brown/natural | | | | | | | | | |
| (10) | 997 553 132 01 | cover | /LL/R-05 | 1 | I098 | | | | | | |
| | | footwell outlet vent | | | | | | | | | |
| | | carpet | | | | | | | | | |
| | A10 | black | | | | | | | | | |
| | B10 | stone grey | | | | | | | | | |

| | | | | | | | | | | | |
|-------|------|----|----|--------------|--------------|--------|------|------------|---------|-----|---------|
| Model | Year | MG | SG | Illustration | Restrictions | Update | 7:43 | 28.08.2006 | PORSCHE | PET | PORSCHE |
| 997 | 07 | 8 | 09 | 809-15 | | 203 | | | | | |

| Pos | Part Number | Name | Remarks | Qty | Model | Pos | Part Number | Name | Remarks | Qty | Model |
|------|----------------|---|----------|-----|----------|-----|----------------|--|---------|-----|-------|
| 10 | 997 553 131 01 | cover footwell outlet vent carpet | /L 06- | 1 | | | M10 | terracotta | | | |
| | A10 | black | | | | | R10 | cocoa | | | |
| | B10 | stone grey | | | | | D11 | dark grey/natural | | | |
| | T10 | sand beige | | | | | T11 | brown/natural | | | |
| | E10 | sea blue | | | | 11 | 999 073 223 07 | oval-head screw M 6 X 25 for mount cover footwell outlet vent | | 2 | |
| | J10 | palmgreen | | | | 12 | 999 507 766 02 | speed nut M 6 for mount cover footwell outlet vent | | 2 | |
| | M10 | terracotta | | | | 13 | 997 553 143 01 | shelf centre console front | | 1 | |
| | R10 | cocoa | | | | | D07 | volcano grey | | | |
| | D11 | dark grey/natural | | | | 14 | 997 553 543 01 | insert shelf | | 1 | |
| | T11 | brown/natural | | | | 15 | 999 919 164 09 | oval-head screw 5,0 X 12,0 for mount shelf | | 3 | |
| (10) | 997 553 132 01 | cover footwell outlet vent carpet | /LL/R06- | 1 | I098/621 | | | | | | |
| | A10 | black | | | | | | | | | |
| | B10 | stone grey | | | | | | | | | |
| | T10 | sand beige | | | | | | | | | |
| | E10 | sea blue | | | | | | | | | |
| | J10 | palmgreen | | | | | | | | | |
| | M10 | terracotta | | | | | | | | | |
| | R10 | cocoa | | | | | | | | | |
| | D11 | dark grey/natural | | | | | | | | | |
| | T11 | brown/natural | | | | | | | | | |
| (10) | 997 553 132 02 | cover footwell outlet vent carpet | /R 06- | 1 | | | | | | | |
| | A10 | black | | | | | | | | | |
| | B10 | stone grey | | | | | | | | | |
| | T10 | sand beige | | | | | | | | | |
| | E10 | sea blue | | | | | | | | | |
| | J10 | palmgreen | | | | | | | | | |
| | | | | | | | | - - - E N D - - - | | | |

| | | | | | | | | | | | |
|-------|------|----|----|--------------|--------------|--------|------|------------|---------|-----|---------|
| Model | Year | MG | SG | Illustration | Restrictions | Update | 7:43 | 28.08.2006 | PORSCHE | PET | PORSCHE |
| 997 | 07 | 8 | 09 | 809-20 | | 203 | | | | | |



| Pos | Part Number | Name | Remarks | Qty | Model |
|-----|----------------|----------------------------------|---------|-----|-------------|
| 1 | 997 553 211 01 | centre console rear lacquered | | 1 | |
| | A03 | black | | | |
| | 5V7 | stone grey | | | |
| | 5Z1 | sand beige | | | |
| | 8W7 | sea blue | | | |
| | 5Y2 | palmgreen | | | |
| | 8X8 | terracotta | | | |
| | 8P9 | cocoa | | | |
| | T13 | brown/natural | | | |
| (1) | 997 553 980 00 | centre console rear leather | 05 | 1 | COUPE/IXMZ |
| | A11 | black | | | |
| | 5X6 | stone grey | | | |
| | 8G2 | sand beige | | | |
| | 3S9 | sea blue | | | |
| | 4P2 | palmgreen | | | |
| | 9S5 | terracotta | | | |
| | 9V6 | cocoa | | | |
| | D12 | dark grey/natural | | | |
| | T12 | brown/natural | | | |
| (1) | 997 553 980 12 | centre console rear leather | -05 | 1 | CABRIO/IXMZ |
| | A11 | black | | | |
| | 5X6 | stone grey | | | |
| | 8G2 | sand beige | | | |
| | 3S9 | sea blue | | | |
| | 4P2 | palmgreen | | | |

| | | | | | | | | | | | |
|-------|------|----|----|--------------|--------------|--------|------|------------|---------|-----|---------|
| Model | Year | MG | SG | Illustration | Restrictions | Update | 7:43 | 28.08.2006 | PORSCHE | PET | PORSCHE |
| 997 | 07 | 8 | 09 | 809-20 | | 203 | | | | | |

| Pos | Part Number | Name | Remarks | Qty | Model | Pos | Part Number | Name | Remarks | Qty | Model |
|-----|----------------|-------------------|---------|-----|--------------------|-----|----------------|-------------------|---------|-----|--------------------------|
| | 9S5 | terracotta | | | | | A11 | black | | | |
| | 9V6 | cocoa | | | | | 5X6 | stone grey | | | |
| | D12 | dark grey/natural | | | | | 8G2 | sand beige | | | |
| | T12 | brown/natural | | | | | 3S9 | sea blue | | | |
| (1) | 997 553 980 00 | centre console | 06- | 1 | COUPE/ IXMZ/370 | | 4P2 | palmgreen | | | |
| | | rear leather | | | | | 9S5 | terracotta | | | |
| | A11 | black | | | | | 9V6 | cocoa | | | |
| | 5X6 | stone grey | | | | | D12 | dark grey/natural | | | |
| | 8G2 | sand beige | | | | (1) | 997 553 980 24 | centre console | 06- | 1 | COUPE/ IXMZ/378 |
| | 3S9 | sea blue | | | | | | rear leather | | | |
| | 4P2 | palmgreen | | | | | A11 | black | | | |
| | 9S5 | terracotta | | | | | 5X6 | stone grey | | | |
| | 9V6 | cocoa | | | | | 8G2 | sand beige | | | |
| | D12 | dark grey/natural | | | | | 3S9 | sea blue | | | |
| | T12 | brown/natural | | | | | 4P2 | palmgreen | | | |
| (1) | 997 553 980 00 | centre console | 06- | 1 | COUPE/ IXMZ/438 | | 9S5 | terracotta | | | |
| | | rear leather | | | | | 9V6 | cocoa | | | |
| | A11 | black | | | | | D12 | dark grey/natural | | | |
| | 5X6 | stone grey | | | | (1) | 997 553 980 12 | centre console | 06- | 1 | CABRIO/TARGA IXMZ/370 |
| | 8G2 | sand beige | | | | | | rear leather | | | |
| | 3S9 | sea blue | | | | | A11 | black | | | |
| | 4P2 | palmgreen | | | | | 5X6 | stone grey | | | |
| | 9S5 | terracotta | | | | | 8G2 | sand beige | | | |
| | 9V6 | cocoa | | | | | 3S9 | sea blue | | | |
| | D12 | dark grey/natural | | | | | 4P2 | palmgreen | | | |
| | T12 | brown/natural | | | | | 9S5 | terracotta | | | |
| (1) | 997 553 980 24 | centre console | 06- | 1 | COUPE/ IXMZ/376 | | | | | | |
| | | rear leather | | | | | | | | | |

| | | | | | | | | | | | | |
|-------|------|----|----|--------------|--------------|--------|------|------------|--|---------|-----|---------|
| Model | Year | MG | SG | Illustration | Restrictions | Update | | | | PORSCHE | PET | PORSCHE |
| 997 | 07 | 8 | 09 | 809-20 | | 203 | 7:43 | 28.08.2006 | | | | |

| Pos | Part Number | Name | Remarks | Qty | Model | Pos | Part Number | Name | Remarks | Qty | Model |
|-----|----------------|-------------------|---------|-----|--------------------------|-----|----------------|----------------------------------|---------|-----|--------------------|
| | 9V6 | cocoa | | | | | 5X6 | stone grey | | | |
| | D12 | dark grey/natural | | | | | 8G2 | sand beige | | | |
| | T12 | brown/natural | | | | | 3S9 | sea blue | | | |
| (1) | 997 553 980 12 | centre console | 06- | 1 | CABRIO/TARGA IXMZ/438 | | 4P2 | palmgreen | | | |
| | | rear leather | | | | | 9S5 | terracotta | | | |
| | A11 | black | | | | | 9V6 | cocoa | | | |
| | 5X6 | stone grey | | | | | D12 | dark grey/natural | | | |
| | 8G2 | sand beige | | | | | T12 | brown/natural | | | |
| | 3S9 | sea blue | | | | (1) | 997 553 980 01 | centre console rear carbon | 05 | 1 | COUPE/XMJ |
| | 4P2 | palmgreen | | | | | A35 | black | | | |
| | 9S5 | terracotta | | | | (1) | 997 553 980 13 | centre console rear carbon | 05 | 1 | CABRIO/XMJ |
| | 9V6 | cocoa | | | | | A35 | black | | | |
| | D12 | dark grey/natural | | | | (1) | 997 553 980 01 | centre console rear carbon | 06- | 1 | COUPE/ IXMJ/370 |
| | T12 | brown/natural | | | | | A35 | black | | | |
| (1) | 997 553 980 26 | centre console | 06- | 1 | CABRIO/TARGA IXMZ/376 | | | | | | |
| | | rear leather | | | | | | | | | |
| | A11 | black | | | | (1) | 997 553 980 01 | centre console rear carbon | 06- | 1 | COUPE/ IXMJ/438 |
| | 5X6 | stone grey | | | | | A35 | black | | | |
| | 8G2 | sand beige | | | | | | | | | |
| | 3S9 | sea blue | | | | (1) | 997 553 980 28 | centre console rear carbon | 06- | 1 | COUPE/ IXMJ/376 |
| | 4P2 | palmgreen | | | | | A35 | black | | | |
| | 9S5 | terracotta | | | | | | | | | |
| | 9V6 | cocoa | | | | (1) | 997 553 980 28 | centre console rear carbon | 06- | 1 | COUPE/ IXMJ/378 |
| | D12 | dark grey/natural | | | | | A35 | black | | | |
| | T12 | brown/natural | | | | | | | | | |
| (1) | 997 553 980 26 | centre console | 06- | 1 | CABRIO/TARGA IXMZ/378 | | | | | | |
| | | rear leather | | | | | A35 | black | | | |
| | A11 | black | | | | | | | | | |

| | | | | | | | | | | | |
|-------|------|----|----|--------------|--------------|--------|------|------------|---------|-----|---------|
| Model | Year | MG | SG | Illustration | Restrictions | Update | 7:43 | 28.08.2006 | PORSCHE | PET | PORSCHE |
| 997 | 07 | 8 | 09 | 809-20 | | 203 | | | | | |

| Pos | Part Number | Name | Remarks | Qty | Model | Pos | Part Number | Name | Remarks | Qty | Model |
|-----|----------------|---|---------|-----|--------------------------|-----|----------------|---|---------|-----|--------------------------|
| (1) | 997 553 980 13 | centre console rear carbon A35 black | 06- | 1 | CABRIO/TARGA IXMJ/370 | (1) | 997 553 980 32 | centre console rear S62 sycamore wood | 06- | 1 | COUPE/ IXJU/378 |
| (1) | 997 553 980 13 | centre console rear carbon A35 black | 06- | 1 | CABRIO/TARGA IXMJ/438 | (1) | 997 553 980 14 | centre console rear S62 sycamore wood | 06- | 1 | CABRIO/TARGA IXJU/370 |
| (1) | 997 553 980 30 | centre console rear carbon A35 black | 06- | 1 | CABRIO/TARGA IXMJ/376 | (1) | 997 553 980 14 | centre console rear S62 sycamore wood | 06- | 1 | CABRIO/TARGA IXJU/438 |
| (1) | 997 553 980 30 | centre console rear carbon A35 black | 06- | 1 | CABRIO/TARGA IXMJ/378 | (1) | 997 553 980 34 | centre console rear S62 sycamore wood | 06- | 1 | CABRIO/TARGA IXJU/376 |
| (1) | 997 553 980 02 | centre console rear S62 sycamore wood | 05 | 1 | COUPE/XJU | (1) | 997 553 980 03 | centre console rear S61 makassar | 05 | 1 | COUPE/XJT |
| (1) | 997 553 980 14 | centre console rear S62 sycamore wood | 05 | 1 | CABRIO/XJU | (1) | 997 553 980 15 | centre console rear S61 makassar | 05 | 1 | CABRIO/XJT |
| (1) | 997 553 980 02 | centre console rear S62 sycamore wood | 06- | 1 | COUPE/ IXJU/370 | (1) | 997 553 980 03 | centre console rear S61 makassar | 06- | 1 | COUPE/ IXJT/370 |
| (1) | 997 553 980 02 | centre console rear S62 sycamore wood | 06- | 1 | COUPE/ IXJU/438 | (1) | 997 553 980 03 | centre console rear S61 makassar | 06- | 1 | COUPE/ IXJT/438 |
| (1) | 997 553 980 32 | centre console rear S62 sycamore wood | 06- | 1 | COUPE/ IXJU/376 | (1) | 997 553 980 36 | centre console rear S61 makassar | 06- | 1 | COUPE/ IXJT/376 |

| | | | | | | | | | | | |
|-------|------|----|----|--------------|--------------|--------|------|------------|---------|-----|---------|
| Model | Year | MG | SG | Illustration | Restrictions | Update | 7:43 | 28.08.2006 | PORSCHE | PET | PORSCHE |
| 997 | 07 | 8 | 09 | 809-20 | | 203 | | | | | |

| Pos | Part Number | Name | Remarks | Qty | Model | Pos | Part Number | Name | Remarks | Qty | Model |
|-----|----------------|--|---------|-----|--------------------------|-----|----------------|--|---------|-----|--------------------------|
| (1) | 997 553 980 36 | centre console rear S61 makassar | 06- | 1 | COUPE/ IXJT/378 | (1) | 997 553 980 40 | centre console rear V04 galvano silver | 06- | 1 | COUPE/ XCK/378 |
| (1) | 997 553 980 15 | centre console rear S61 makassar | 06- | 1 | CABRIO/TARGA IXJT/370 | (1) | 997 553 980 16 | centre console rear V04 galvano silver | 06- | 1 | CABRIO/TARGA IXCK/370 |
| (1) | 997 553 980 15 | centre console rear S61 makassar | 06- | 1 | CABRIO/TARGA IXJT/438 | (1) | 997 553 980 16 | centre console rear V04 galvano silver | 06- | 1 | CABRIO/TARGA IXCK/438 |
| (1) | 997 553 980 38 | centre console rear S61 makassar | 06- | 1 | CABRIO/TARGA IXJT/376 | (1) | 997 553 980 42 | centre console rear V04 galvano silver | 06- | 1 | CABRIO/TARGA IXCK/376 |
| (1) | 997 553 980 38 | centre console rear S61 makassar | 06- | 1 | CABRIO/TARGA IXJT/378 | (1) | 997 553 980 42 | centre console rear V04 galvano silver | 06- | 1 | CABRIO/TARGA IXCK/378 |
| (1) | 997 553 980 04 | centre console rear V04 galvano silver | 05 | 1 | COUPE/XCK | (1) | 997 553 980 05 | centre console rear 041 black | 05 | 1 | COUPE/XME |
| (1) | 997 553 980 16 | centre console rear V04 galvano silver | 05 | 1 | CABRIO/XCK | | 84A | guards red | | | |
| (1) | 997 553 980 04 | centre console rear V04 galvano silver | 06- | 1 | COUPE/ IXCK/370 | | B9A | carrara white | | | |
| (1) | 997 553 980 04 | centre console rear V04 galvano silver | 06- | 1 | COUPE/ IXCK/438 | | 12H | speed yellow | | | |
| (1) | 997 553 980 04 | centre console rear V04 galvano silver | 06- | 1 | COUPE/ IXCK/370 | | 92U | arctic silver metallic | | | |
| (1) | 997 553 980 04 | centre console rear V04 galvano silver | 06- | 1 | COUPE/ IXCK/438 | | M3W | carmon red metallic | | | |
| (1) | 997 553 980 04 | centre console rear V04 galvano silver | 06- | 1 | COUPE/ IXCK/438 | | M5W | lapis blue metallic | | | |
| (1) | 997 553 980 04 | centre console rear V04 galvano silver | 06- | 1 | COUPE/ IXCK/438 | | M6W | lagoon green metallic | | | |
| (1) | 997 553 980 40 | centre console rear V04 galvano silver | 06- | 1 | COUPE/ XCK/376 | | C9Z | basalt black metallic | | | |
| (1) | 997 553 980 40 | centre console rear V04 galvano silver | 06- | 1 | COUPE/ XCK/376 | | M7X | atlas grey metallic | | | |
| (1) | 997 553 980 40 | centre console rear V04 galvano silver | 06- | 1 | COUPE/ XCK/376 | | 39C | midnight blue metallic | | | |
| (1) | 997 553 980 40 | centre console rear V04 galvano silver | 06- | 1 | COUPE/ XCK/376 | | 6B4 | seal grey metallic | | | |
| (1) | 997 553 980 40 | centre console rear V04 galvano silver | 06- | 1 | COUPE/ XCK/376 | | 2B4 | forest green metallic | | | |

| | | | | | | | | | | | |
|-------|------|----|----|--------------|--------------|--------|------|------------|---------|-----|---------|
| Model | Year | MG | SG | Illustration | Restrictions | Update | 7:43 | 28.08.2006 | PORSCHE | PET | PORSCHE |
| 997 | 07 | 8 | 09 | 809-20 | | 203 | | | | | |

| Pos | Part Number | Name | Remarks | Qty | Model | Pos | Part Number | Name | Remarks | Qty | Model |
|-----|----------------|------------------------|---------|-----|--------------------|----------------|-------------|------------------------|---------|-----|--------------------|
| | 3C8 | cobalt blue metallic | | | | | M3W | carmon red metallic | | | |
| | 23F | slate grey metallic | | | | | M5W | lapis blue metallic | | | |
| | M7Z | gt silver metallic | | | | | M6W | lagoon green metallic | | | |
| | M6X | dark olive-metallic | | | | | C9Z | basalt black metallic | | | |
| (1) | 997 553 980 17 | centre console rear | 05 | 1 | CABRIO/XME | | M7X | atlas grey metallic | | | |
| | 041 | black | | | | | 39C | midnight blue metallic | | | |
| | 84A | guards red | | | | | 6B4 | seal grey metallic | -06 | | |
| | B9A | carrara white | | | | | 2B4 | forest green metallic | | | |
| | 12H | speed yellow | | | | | 3C8 | cobalt blue metallic | | | |
| | 92U | arctic silver metallic | | | | | 23F | slate grey metallic | | | |
| | M3W | carmon red metallic | | | | | M7Z | gt silver metallic | | | |
| | M5W | lapis blue metallic | | | | (1) | M6X | dark olive-metallic | | | |
| | M6W | lagoon green metallic | | | | 997 553 980 05 | | centre console rear | 06- | 1 | COUPE/ IXME/438 |
| | C9Z | basalt black metallic | | | | | 041 | black | | | |
| | M7X | atlas grey metallic | | | | | 84A | guards red | | | |
| | 39C | midnight blue metallic | | | | | B9A | carrara white | | | |
| | 6B4 | seal grey metallic | | | | | 12H | speed yellow | | | |
| | 2B4 | forest green metallic | | | | | 92U | arctic silver metallic | | | |
| | 3C8 | cobalt blue metallic | | | | | M3W | carmon red metallic | | | |
| | 23F | slate grey metallic | | | | | M5W | lapis blue metallic | | | |
| | M7Z | gt silver metallic | | | | | M6W | lagoon green metallic | | | |
| | M6X | dark olive-metallic | | | | | C9Z | basalt black metallic | | | |
| (1) | 997 553 980 05 | centre console rear | 06- | 1 | COUPE/ IXME/370 | | M7X | atlas grey metallic | | | |
| | 041 | black | | | | | 39C | midnight blue metallic | | | |
| | 84A | guards red | | | | | 6B4 | seal grey metallic | -06 | | |
| | B9A | carrara white | | | | | 2B4 | forest green metallic | | | |
| | 12H | speed yellow | | | | | 3C8 | cobalt blue metallic | | | |
| | 92U | arctic silver metallic | | | | | 23F | slate grey metallic | | | |

| | | | | | | | | | | | |
|-------|------|----|----|--------------|--------------|--------|------|------------|---------|-----|---------|
| Model | Year | MG | SG | Illustration | Restrictions | Update | 7:43 | 28.08.2006 | PORSCHE | PET | PORSCHE |
| 997 | 07 | 8 | 09 | 809-20 | | 203 | | | | | |

| Pos | Part Number | Name | Remarks | Qty | Model | Pos | Part Number | Name | Remarks | Qty | Model |
|-----|----------------|------------------------|---------|-----|--------------------|-----|----------------|------------------------|---------|-----|--------------------------|
| | M7Z | gt silver metallic | | | | | M5W | lapis blue metallic | | | |
| | M6X | dark olive-metallic | | | | | M6W | lagoon green metallic | | | |
| (1) | 997 553 980 44 | centre console | 06- | 1 | COUPE/ IXME/376 | | C9Z | basalt black metallic | | | |
| | | rear | | | | | M7X | atlas grey metallic | | | |
| | 041 | black | | | | | 39C | midnight blue metallic | | | |
| | 84A | guards red | | | | | 6B4 | seal grey metallic | -06 | | |
| | B9A | carrara white | | | | | 2B4 | forest green metallic | | | |
| | 12H | speed yellow | | | | | 3C8 | cobalt blue metallic | | | |
| | 92U | arctic silver metallic | | | | | 23F | slate grey metallic | | | |
| | M3W | carmon red metallic | | | | | M7Z | gt silver metallic | | | |
| | M5W | lapis blue metallic | | | | | M6X | dark olive-metallic | | | |
| | M6W | lagoon green metallic | | | | (1) | 997 553 980 17 | centre console | 06- | 1 | CABRIO/TARGA IXME/370 |
| | C9Z | basalt black metallic | | | | | | rear | | | |
| | M7X | atlas grey metallic | | | | | 041 | black | | | |
| | 39C | midnight blue metallic | | | | | 84A | guards red | | | |
| | 6B4 | seal grey metallic | -06 | | | | B9A | carrara white | | | |
| | 2B4 | forest green metallic | | | | | 12H | speed yellow | | | |
| | 3C8 | cobalt blue metallic | | | | | 92U | arctic silver metallic | | | |
| | 23F | slate grey metallic | | | | | M3W | carmon red metallic | | | |
| | M7Z | gt silver metallic | | | | | M5W | lapis blue metallic | | | |
| | M6X | dark olive-metallic | | | | | M6W | lagoon green metallic | | | |
| (1) | 997 553 980 44 | centre console | 06- | 1 | COUPE/ IXME/378 | | C9Z | basalt black metallic | | | |
| | | rear | | | | | M7X | atlas grey metallic | | | |
| | 041 | black | | | | | 39C | midnight blue metallic | | | |
| | 84A | guards red | | | | | 6B4 | seal grey metallic | -06 | | |
| | B9A | carrara white | | | | | 2B4 | forest green metallic | | | |
| | 12H | speed yellow | | | | | 3C8 | cobalt blue metallic | | | |
| | 92U | arctic silver metallic | | | | | 23F | slate grey metallic | | | |
| | M3W | carmon red metallic | | | | | M7Z | gt silver metallic | | | |

| | | | | | | | | | | | |
|-------|------|----|----|--------------|--------------|--------|------|------------|---------|-----|---------|
| Model | Year | MG | SG | Illustration | Restrictions | Update | 7:43 | 28.08.2006 | PORSCHE | PET | PORSCHE |
| 997 | 07 | 8 | 09 | 809-20 | | 203 | | | | | |

| Pos | Part Number | Name | Remarks | Qty | Model | Pos | Part Number | Name | Remarks | Qty | Model |
|-----|----------------|---|---------|-----|--------------------------|-----|----------------|--|---------|-----|--------------------------|
| (1) | 997 553 980 17 | M6X dark olive-metallic centre console rear 041 black 84A guards red B9A carrara white 12H speed yellow 92U arctic silver metallic M3W carmon red metallic M5W lapis blue metallic M6W lagoon green metallic C9Z basalt black metallic M7X atlas grey metallic 39C midnight blue metallic 6B4 seal grey metallic 2B4 forest green metallic 3C8 cobalt blue metallic 23F slate grey metallic M7Z gt silver metallic M6X dark olive-metallic | 06- | 1 | CABRIO/TARGA IXME/438 | (1) | 997 553 980 46 | M6W lagoon green metallic C9Z basalt black metallic M7X atlas grey metallic 39C midnight blue metallic 6B4 seal grey metallic 2B4 forest green metallic 3C8 cobalt blue metallic 23F slate grey metallic M7Z gt silver metallic M6X dark olive-metallic centre console rear 041 black 84A guards red B9A carrara white 12H speed yellow 92U arctic silver metallic M3W carmon red metallic M5W lapis blue metallic M6W lagoon green metallic C9Z basalt black metallic M7X atlas grey metallic 39C midnight blue metallic 6B4 seal grey metallic 2B4 forest green metallic 3C8 cobalt blue metallic 23F slate grey metallic M7Z gt silver metallic M6X dark olive-metallic | -06 | 1 | CABRIO/TARGA IXME/378 |
| (1) | 997 553 980 46 | centre console rear 041 black 84A guards red B9A carrara white 12H speed yellow 92U arctic silver metallic M3W carmon red metallic M5W lapis blue metallic | 06- | 1 | CABRIO/TARGA IXME/376 | | | | | | |

| | | | | | | | | | | | |
|-------|------|----|----|--------------|--------------|--------|------|------------|---------|-----|---------|
| Model | Year | MG | SG | Illustration | Restrictions | Update | 7:43 | 28.08.2006 | PORSCHE | PET | PORSCHE |
| 997 | 07 | 8 | 09 | 809-20 | | 203 | | | | | |

| Pos | Part Number | Name | Remarks | Qty | Model | Pos | Part Number | Name | Remarks | Qty | Model |
|-----|----------------|--|---------|-----|-------|-----|----------------|---|---------|-----|-------------|
| 2 | 997 553 575 01 | insert locking device centre console | | 1 | | | 9S5 | terracotta | | | |
| | 01C | satin black | | | | | 9V6 | cocoa | | | |
| 3 | 999 919 162 09 | oval-head screw 4 X 8 for mount insert locking device | | 1 | | | D12 | dark grey/natural | | | |
| | | | | | | | T12 | brown/natural | | | |
| 4 | 999 591 214 40 | expander nut 4,2 | 06- | 4 | | 9 | 999 507 972 01 | speed nut 3,5 for mount cover outer | | 8 | |
| 5 | 997 553 843 00 | sound absorber | /L | 1 | | 10 | 999 073 153 07 | tapping screw 3,5 X 14 for mount cover outer | | 8 | |
| (5) | 997 553 844 00 | sound absorber | /R | 1 | | | | | | | |
| 6 | 997 553 579 00 | cover lacquered | | 1 | COUPE | 11 | 997 553 437 01 | hinge | | 1 | |
| | A03 | black | | | | 12 | 997 553 439 00 | spring | | 1 | |
| | 5V7 | stone grey | | | | 13 | 997 553 441 00 | belt | | 1 | |
| | 5Z1 | sand beige | | | | 14 | 997 553 447 00 | axle | | 1 | |
| | 8W7 | sea blue | | | | 15 | 997 553 733 00 | retaining pin | | 1 | |
| | 5Y2 | palmgreen | | | | 16 | 999 919 159 09 | oval-head screw M4X12 | | X | |
| | 8X8 | terracotta | | | | 17 | 997 553 221 01 | extension centre console lacquered | | 1 | COUPE/TARGA |
| | 8P9 | cocoa | | | | | | | | | |
| | T13 | brown/natural | | | | | | | | | |
| 7 | 997 553 433 01 | cover inner | | 1 | | | A03 | black | | | |
| | 01C | satin black | | | | | 5V7 | stone grey | | | |
| 8 | 997 553 231 01 | cover outer leather | | 1 | | | 5Z1 | sand beige | | | |
| | A11 | black | | | | | 8W7 | sea blue | | | |
| | 5X6 | stone grey | | | | | 5Y2 | palmgreen | | | |
| | 8G2 | sand beige | | | | | 8X8 | terracotta | | | |
| | 3S9 | sea blue | | | | | 8P9 | cocoa | | | |
| | 4P2 | palmgreen | | | | | T13 | brown/natural | | | |

| | | | | | | | | | | | |
|-------|------|----|----|--------------|--------------|--------|------|------------|---------|-----|---------|
| Model | Year | MG | SG | Illustration | Restrictions | Update | | | | | |
| 997 | 07 | 8 | 09 | 809-20 | | 203 | 7:43 | 28.08.2006 | PORSCHE | PET | PORSCHE |

| Pos | Part Number | Name | Remarks | Qty | Model | Pos | Part Number | Name | Remarks | Qty | Model |
|------|----------------|---|---------|-----|---------------------|------|----------------|---|---------|-----|---------------------|
| (17) | 997 553 983 00 | extension centre console leather A11 black 5X6 stone grey 8G2 sand beige 3S9 sea blue 4P2 palmgreen 9S5 terracotta 9V6 cocoa D12 dark grey/natural T12 brown/natural | | 1 | COUPE/TARGA IXMZ | (17) | 997 553 983 03 | extension centre console leather A11 black 5X6 stone grey 8G2 sand beige 3S9 sea blue 4P2 palmgreen 9S5 terracotta 9V6 cocoa D12 dark grey/natural T12 brown/natural | | 1 | COUPE/TARGA IXJT |
| (17) | 997 553 983 01 | extension centre console leather A11 black 5X6 stone grey 8G2 sand beige 3S9 sea blue 4P2 palmgreen 9S5 terracotta 9V6 cocoa D12 dark grey/natural T12 brown/natural | | 1 | COUPE/TARGA IXMJ | (17) | 997 553 983 04 | extension centre console leather A11 black 5X6 stone grey 8G2 sand beige 3S9 sea blue 4P2 palmgreen 9S5 terracotta 9V6 cocoa D12 dark grey/natural T12 brown/natural | | 1 | COUPE/TARGA IXCK |
| (17) | 997 553 983 02 | extension centre console leather A11 black 5X6 stone grey 8G2 sand beige 3S9 sea blue | | 1 | COUPE/TARGA IXJU | | | | | | |

| | | | | | | | | | | | |
|-------|------|----|----|--------------|--------------|--------|------|------------|---------|-----|---------|
| Model | Year | MG | SG | Illustration | Restrictions | Update | 7:43 | 28.08.2006 | PORSCHE | PET | PORSCHE |
| 997 | 07 | 8 | 09 | 809-20 | | 203 | | | | | |

| Pos | Part Number | Name | Remarks | Qty | Model | Pos | Part Number | Name | Remarks | Qty | Model |
|------|----------------|-----------------------------|---------|-----|---------------------|------|----------------|---------------------------|---------|-----|-------|
| (17) | 997 553 983 05 | extension | | 1 | COUPE/TARGA IXME | 24 | 999 507 971 01 | speed nut 4,2 | | X | |
| | | centre console lacquered | | | | 25 | 997 553 141 02 | ashtray lacquered | | 1 | |
| | 041 | black | | | | | A03 | black | | | |
| | 84A | guards red | | | | | 5V7 | stone grey | | | |
| | B9A | carrara white | | | | | 5Z1 | sand beige | | | |
| | 12H | speed yellow | | | | | 8W7 | sea blue | | | |
| | 92U | arctic silver metallic | | | | | 5Y2 | palmgreen | | | |
| | M3W | carmon red metallic | | | | | 8X8 | terracotta | | | |
| | M5W | lapis blue metallic | | | | | 8P9 | cocoa | | | |
| | M6W | lagoon green metallic | | | | | T13 | brown/natural | | | |
| | C9Z | basalt black metallic | | | | (25) | 997 553 982 00 | ashtray leather | | 1 | IXMZ |
| | M7X | atlas grey metallic | | | | | A11 | black | | | |
| | 39C | midnight blue metallic | | | | | 5X6 | stone grey | | | |
| | 6B4 | seal grey metallic | -06 | | | | 8G2 | sand beige | | | |
| | 2B4 | forest green metallic | | | | | 3S9 | sea blue | | | |
| | 3C8 | cobalt blue metallic | | | | | 4P2 | palmgreen | | | |
| | 23F | slate grey metallic | | | | | 9S5 | terracotta | | | |
| | M7Z | gt silver metallic | | | | | 9V6 | cocoa | | | |
| | M6X | dark olive-metallic | | | | | D12 | dark grey/natural | | | |
| 18 | 997 553 625 01 | insert extension | | 1 | COUPE/TARGA | | T12 | brown/natural | | | |
| 19 | 999 073 226 09 | tapping screw 4,2 X 16 | | X | | (25) | 997 553 982 01 | ashtray carbon | | 1 | IXMJ |
| 20 | 999 507 020 02 | speed nut 4,2 | | X | | | A35 | black | | | |
| 21 | 999 919 121 09 | oval-head screw 5 X 16 | | 2 | | (25) | 997 553 982 02 | ashtray | | 1 | IXJU |
| 22 | 999 073 155 09 | tapping screw 4,2 X 13 | | 2 | | | S62 | sycamore wood | | | |
| 23 | 997 553 615 01 | floor centre console | | 1 | | (25) | 997 553 982 03 | ashtray | | 1 | IXJT |
| | | | | | | | S61 | makassar | | | |
| | | | | | | (25) | 997 553 982 04 | ashtray aluminium look | | 1 | IXCK |

| | | | | | | | | | | | |
|-------|------|----|----|--------------|--------------|--------|------|------------|---------|-----|---------|
| Model | Year | MG | SG | Illustration | Restrictions | Update | 7:43 | 28.08.2006 | PORSCHE | PET | PORSCHE |
| 997 | 07 | 8 | 09 | 809-20 | | 203 | | | | | |

| Pos | Part Number | Name | Remarks | Qty | Model | Pos | Part Number | Name | Remarks | Qty | Model |
|------|----------------|-------------------------|---------|-----|-----------|------|----------------|--|---------|-----|-------|
| | V04 | galvano silver | | | | 29 | 999 073 155 09 | tapping screw 4,2 X 13 for mount frame | | 4 | |
| (25) | 997 553 982 05 | ashtray lacquered | | 1 | IXME | | | | | | |
| | 041 | black | | | | 30 | 997 553 241 01 | cover shift gate lacquered | -05 | 1 | I249 |
| | 84A | guards red | | | | | A03 | black | | | |
| | B9A | carrara white | | | | | 5V7 | stone grey | | | |
| | 12H | speed yellow | | | | | 5Z1 | sand beige | | | |
| | 92U | arctic silver metallic | | | | | 8W7 | sea blue | | | |
| | M3W | carmon red metallic | | | | | 5Y2 | palmgreen | | | |
| | M5W | coral metallic | | | | | 8X8 | terracotta | | | |
| | M6W | lagoon green metallic | | | | | 8P9 | cocoa | | | |
| | C9Z | basalt black metallic | | | | | T13 | brown/natural | | | |
| | M7X | atlas grey metallic | | | | 30 | 997 553 241 02 | cover shift gate lacquered | 06- | 1 | I249 |
| | 39C | midnight blue metallic | | | | | A03 | black | | | |
| | 6B4 | seal grey metallic | -06 | | | | 5V7 | stone grey | | | |
| | 2B4 | forest green metallic | | | | | 5Z1 | sand beige | | | |
| | 3C8 | cobalt blue metallic | | | | | 8W7 | sea blue | | | |
| | 23F | slate grey metallic | | | | | 5Y2 | palmgreen | | | |
| | M7Z | gt silver metallic | | | | | 8X8 | terracotta | | | |
| | M6X | dark olive-metallic | | | | | 8P9 | cocoa | | | |
| 26 | 997 553 611 01 | insert | | 1 | | | T13 | brown/natural | | | |
| 27 | 997 553 261 01 | frame lacquered | | 1 | CARRERA | | | | | | |
| | D07 | volcano grey | | | | | | | | | |
| (27) | 997 553 261 02 | frame lacquered | | 1 | CARRERA S | (30) | 997 553 243 01 | cover shift gate lacquered | | 1 | I480 |
| | V04 | galvano silver | | | | | A03 | black | | | |
| 28 | 999 507 533 02 | clamp 8,0 X 10,0/2,5 | | 7 | | | 5V7 | stone grey | | | |
| | | | | | | | 5Z1 | sand beige | | | |
| | | | | | | | 8W7 | sea blue | | | |

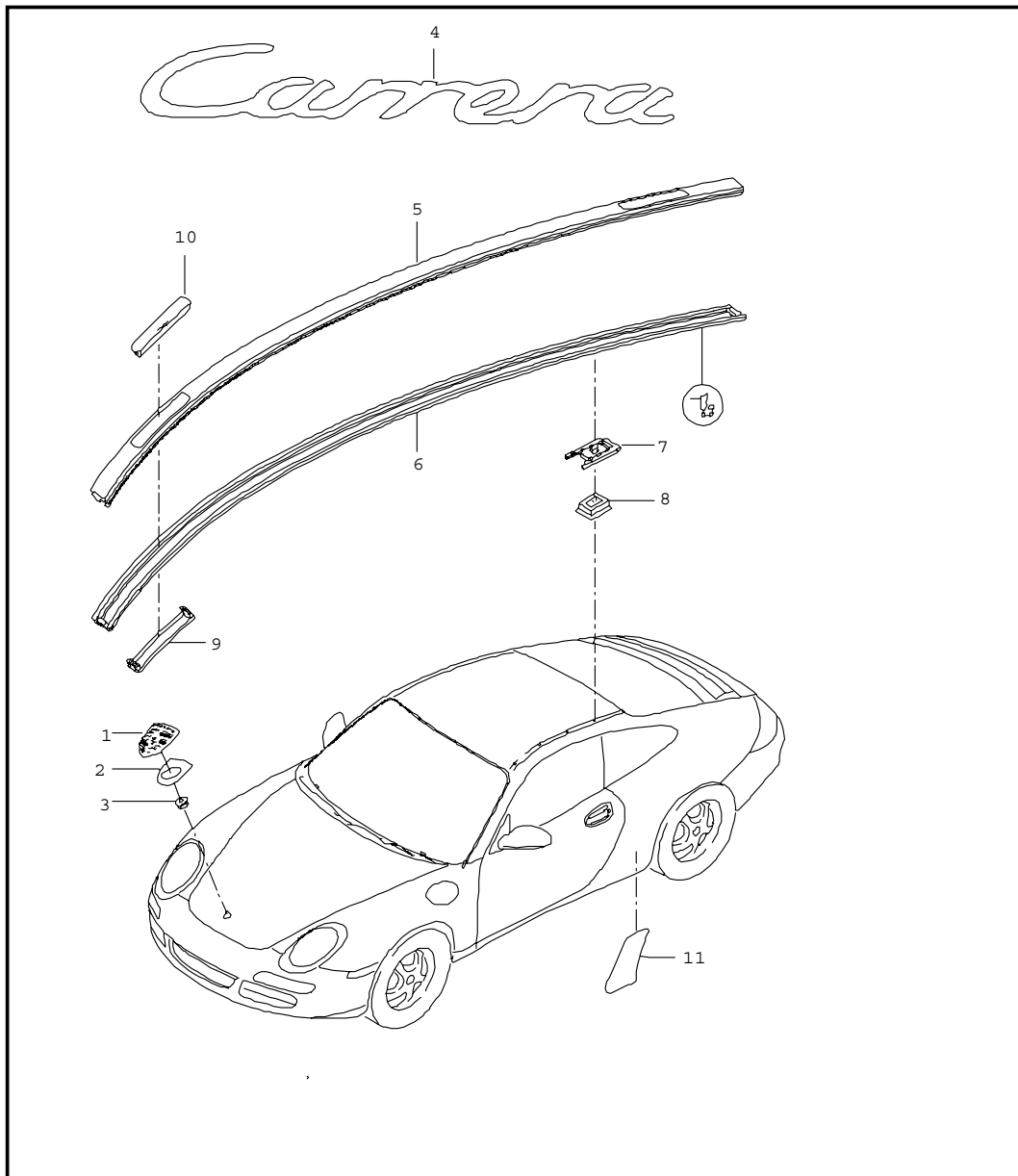
| | | | | | | | | | | | |
|-------|------|----|----|--------------|--------------|--------|------|------------|---------|-----|---------|
| Model | Year | MG | SG | Illustration | Restrictions | Update | | | | | |
| 997 | 07 | 8 | 09 | 809-20 | | 203 | 7:43 | 28.08.2006 | PORSCHE | PET | PORSCHE |

| Pos | Part Number | Name | Remarks | Qty | Model | Pos | Part Number | Name | Remarks | Qty | Model |
|------|----------------|---|---------|-----|-------|------|----------------|------------------------------|---------|-----|-------|
| | 5Y2 | palmgreen | | | | | 5X6 | stone grey | | | |
| | 8X8 | terracotta | | | | | 8G2 | sand beige | | | |
| | 8P9 | cocoa | | | | | 3S9 | sea blue | | | |
| | T13 | brown/natural | | | | | 4P2 | palmgreen | | | |
| 31 | 996 552 687 00 | slide | | 1 | I249 | | 9S5 | terracotta | | | |
| | 01C | satin black | | | | | 9V6 | cocoa | | | |
| 32 | 997 553 455 01 | cover parking-brake lever lacquered | | 1 | | | D12 | dark grey/natural | | | |
| | A03 | black | | | | (32) | 997 553 981 00 | cover parking-brake lever | | 1 | XJU |
| | 5V7 | stone grey | | | | | A11 | black | | | |
| | 5Z1 | sand beige | | | | | 5X6 | stone grey | | | |
| | 8W7 | sea blue | | | | | 8G2 | sand beige | | | |
| | 5Y2 | palmgreen | | | | | 3S9 | sea blue | | | |
| | 8X8 | terracotta | | | | | 4P2 | palmgreen | | | |
| | 8P9 | cocoa | | | | | 9S5 | terracotta | | | |
| | T13 | brown/natural | | | | | 9V6 | cocoa | | | |
| (32) | 997 553 981 00 | cover parking-brake lever | | 1 | XCK | | D12 | dark grey/natural | | | |
| | A11 | black | | | | | T12 | brown/natural | | | |
| | 5X6 | stone grey | | | | (32) | 997 553 981 00 | cover parking-brake lever | | 1 | XME |
| | 8G2 | sand beige | | | | | A11 | black | | | |
| | 3S9 | sea blue | | | | | 5X6 | stone grey | | | |
| | 4P2 | palmgreen | | | | | 8G2 | sand beige | | | |
| | 9S5 | terracotta | | | | | 3S9 | sea blue | | | |
| | 9V6 | cocoa | | | | | 4P2 | palmgreen | | | |
| | D12 | dark grey/natural | | | | | 9S5 | terracotta | | | |
| | T12 | brown/natural | | | | | 9V6 | cocoa | | | |
| (32) | 997 553 981 00 | cover parking-brake lever | | 1 | XJT | | D12 | dark grey/natural | | | |
| | A11 | black | | | | | T12 | brown/natural | | | |

| | | | | | | | | | | | |
|-------|------|----|----|--------------|--------------|--------|------|------------|---------|-----|---------|
| Model | Year | MG | SG | Illustration | Restrictions | Update | | | | | |
| 997 | 07 | 8 | 09 | 809-20 | | 203 | 7:43 | 28.08.2006 | PORSCHE | PET | PORSCHE |

| Pos | Part Number | Name | Remarks | Qty | Model | Pos | Part Number | Name | Remarks | Qty | Model |
|------|----------------|------------------------------|---------|-----|-------|-----|-------------|------|---------|-----|-------|
| (32) | 997 553 981 00 | cover parking-brake lever | | 1 | XMJ | | | | | | |
| | A11 | black | | | | | | | | | |
| | 5X6 | stone grey | | | | | | | | | |
| | 8G2 | sand beige | | | | | | | | | |
| | 3S9 | sea blue | | | | | | | | | |
| | 4P2 | palmgreen | | | | | | | | | |
| | 9S5 | terracotta | | | | | | | | | |
| | 9V6 | cocoa | | | | | | | | | |
| | D12 | dark grey/natural | | | | | | | | | |
| | T12 | brown/natural | | | | | | | | | |
| (32) | 997 553 981 06 | cover parking-brake lever | | 1 | XMZ | | | | | | |
| | A11 | black | | | | | | | | | |
| | 5X6 | stone grey | | | | | | | | | |
| | 8G2 | sand beige | | | | | | | | | |
| | 3S9 | sea blue | | | | | | | | | |
| | 4P2 | palmgreen | | | | | | | | | |
| | 9S5 | terracotta | | | | | | | | | |
| | 9V6 | cocoa | | | | | | | | | |
| | D12 | dark grey/natural | | | | | | | | | |
| | T12 | brown/natural | | | | | | | | | |
| 33 | 999 591 215 40 | expander nut 4,2 | | 2 | | | | | | | |
| | | - - - E N D - - - | | | | | | | | | |

| | | | | | | | | | | | |
|-------|------|----|----|--------------|--------------|--------|------|------------|---------|-----|---------|
| Model | Year | MG | SG | Illustration | Restrictions | Update | 7:43 | 28.08.2006 | PORSCHE | PET | PORSCHE |
| 997 | 07 | 8 | 10 | 810-00 | | 203 | | | | | |

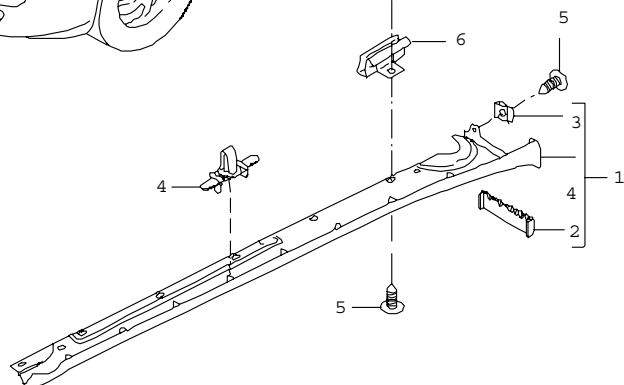
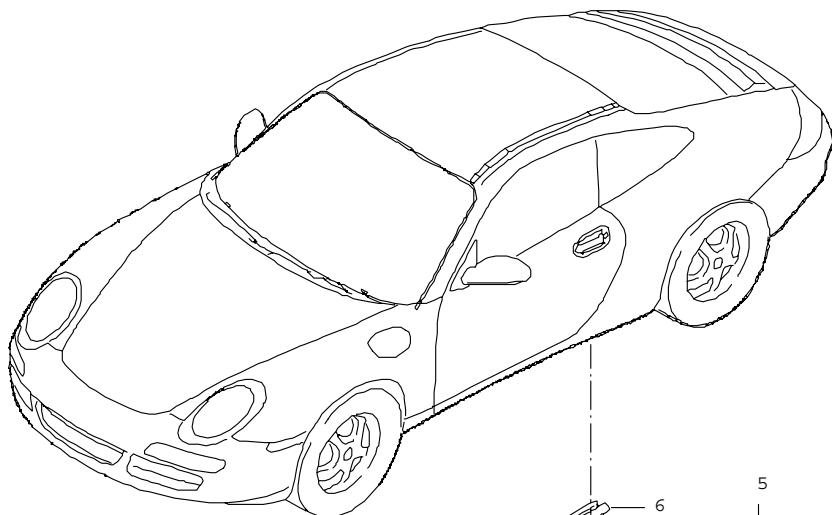


| Pos | Part Number | Name | Remarks | Qty | Model |
|-------|----------------|--|---------|-----|---------|
| | | insignias decorative fittings stone guard film | | | |
| 1 | 996 559 211 01 | lid emblem | | 1 | |
| 2 | 7L5 853 611 B | desk pad | | 1 | |
| 3 | 999 591 423 03 | tapping nut | | 2 | |
| 4 | 997 559 237 00 | logo *CARRERA* lacquered titanium | | 1 | C2/C4 |
| (4) | 997 559 237 01 | logo *CARRERA* | | 1 | C2S/C4S |
| (4) N | 997 559 237 04 | logo *TARGA* lacquered titanium | 07- | 1 | C4 |
| (4) N | 997 559 237 05 | logo *TARGA* | 07 | 1 | C4S |
| (4) | 997 559 243 00 | logo *S* | | 1 | C2S/C4S |
| (4) | 997 559 241 00 | logo *4* | | 1 | C4 |
| (4) | 997 559 241 01 | logo *4* | | 1 | C4S |
| 5 | 997 559 401 00 | roof edge strip G2X prime coated | /L | 1 | |
| (5) | 997 559 402 00 | roof edge strip G2X prime coated | /R | 1 | |
| 6 | 997 559 721 00 | gasket roof edge strip | /L | 1 | |
| (6) | 997 559 722 00 | gasket roof edge strip | /R | 1 | |
| 7 | 996 559 403 01 | clip | | 10 | |
| 8 | 996 559 405 01 | adapter | | 10 | |
| 9 | 996 559 729 00 | bracket for flap | | 4 | |

| | | | | | | | | | | | |
|-------|------|----|----|--------------|--------------|--------|------|------------|---------|-----|---------|
| Model | Year | MG | SG | Illustration | Restrictions | Update | | | | | |
| 997 | 07 | 8 | 10 | 810-00 | | 203 | 7:43 | 28.08.2006 | PORSCHE | PET | PORSCHE |

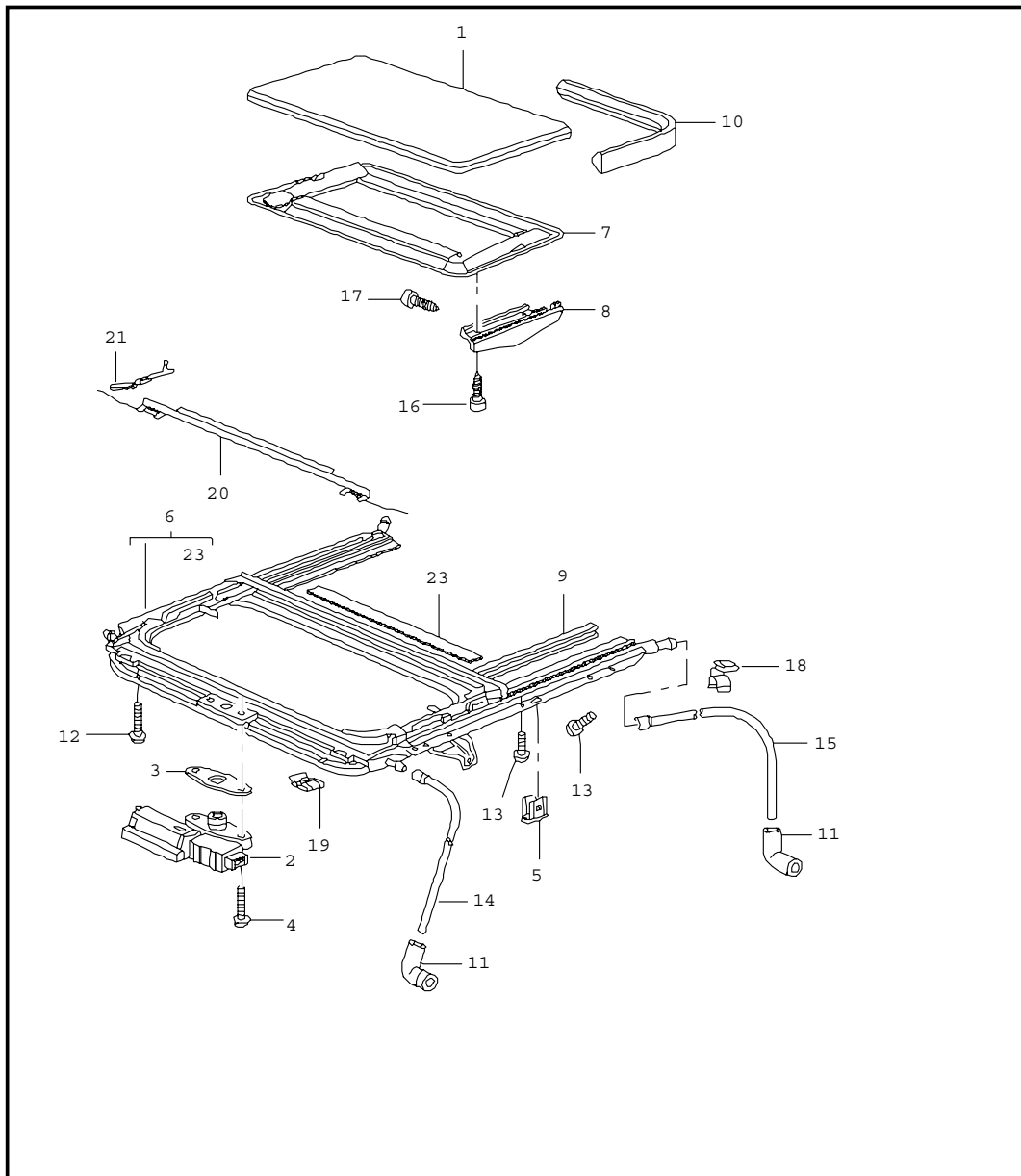
| Pos | Part Number | Name | Remarks | Qty | Model | Pos | Part Number | Name | Remarks | Qty | Model |
|------|----------------|----------------------------------|---------|-----|-------|-----|-------------|------|---------|-----|-------|
| 10 | 996 559 501 00 | flap front | | 2 | | | | | | | |
| | G2X | prime coated | | | | | | | | | |
| (10) | 996 559 503 00 | flap rear | | 2 | | | | | | | |
| | G2X | prime coated | | | | | | | | | |
| 11 | 997 504 825 01 | stone guard film side section | /L | 1 | | | | | | | |
| (11) | 997 504 826 01 | stone guard film side section | /R | 1 | | | | | | | |
| | | - - - E N D - - - | | | | | | | | | |

| | | | | | | | | | | | |
|-------|------|----|----|--------------|--------------|--------|------|------------|---------|-----|---------|
| Model | Year | MG | SG | Illustration | Restrictions | Update | 7:44 | 28.08.2006 | PORSCHE | PET | PORSCHE |
| 997 | 07 | 8 | 10 | 810-05 | | 203 | | | | | |



| Pos | Part Number | Name | Remarks | Qty | Model |
|-------------------|----------------|--|---------|-----|-----------|
| | | sill cover | | | CARRERA 4 |
| 1 | 997 504 363 00 | sill cover | /L | 1 | |
| | 01C | satin black | | | |
| (1) | 997 504 364 00 | sill cover | /R | 1 | |
| | 01C | satin black | | | |
| 1 | 997 504 981 00 | sill cover | /L | 1 | IXAJ |
| | G2X | prime coated | | | |
| (1) | 997 504 982 00 | sill cover | /R | 1 | IXAJ |
| | G2X | prime coated | | | |
| 2 | 997 504 863 00 | rubber lip sill cover | /L | 1 | |
| | 01C | satin black | | | |
| (2) | 997 504 864 00 | rubber lip sill cover | /R | 1 | |
| | 01C | satin black | | | |
| 3 | 999 507 795 09 | speed nut ST 4,8 | | 4 | |
| 4 | 999 507 986 40 | fixing clip sill cover 9,0 x 1,5 | | 18 | |
| 5 | 999 073 231 09 | tapping screw st 4,8 x 16 | | 24 | |
| 6 | 999 507 640 09 | u-clamp | | 18 | |
| - - - E N D - - - | | | | | |

| | | | | | | | | | | | |
|-------|------|----|----|--------------|--------------|--------|------|------------|---------|-----|---------|
| Model | Year | MG | SG | Illustration | Restrictions | Update | 7:44 | 28.08.2006 | PORSCHE | PET | PORSCHE |
| 997 | 07 | 8 | 11 | 811-00 | | 203 | | | | | |

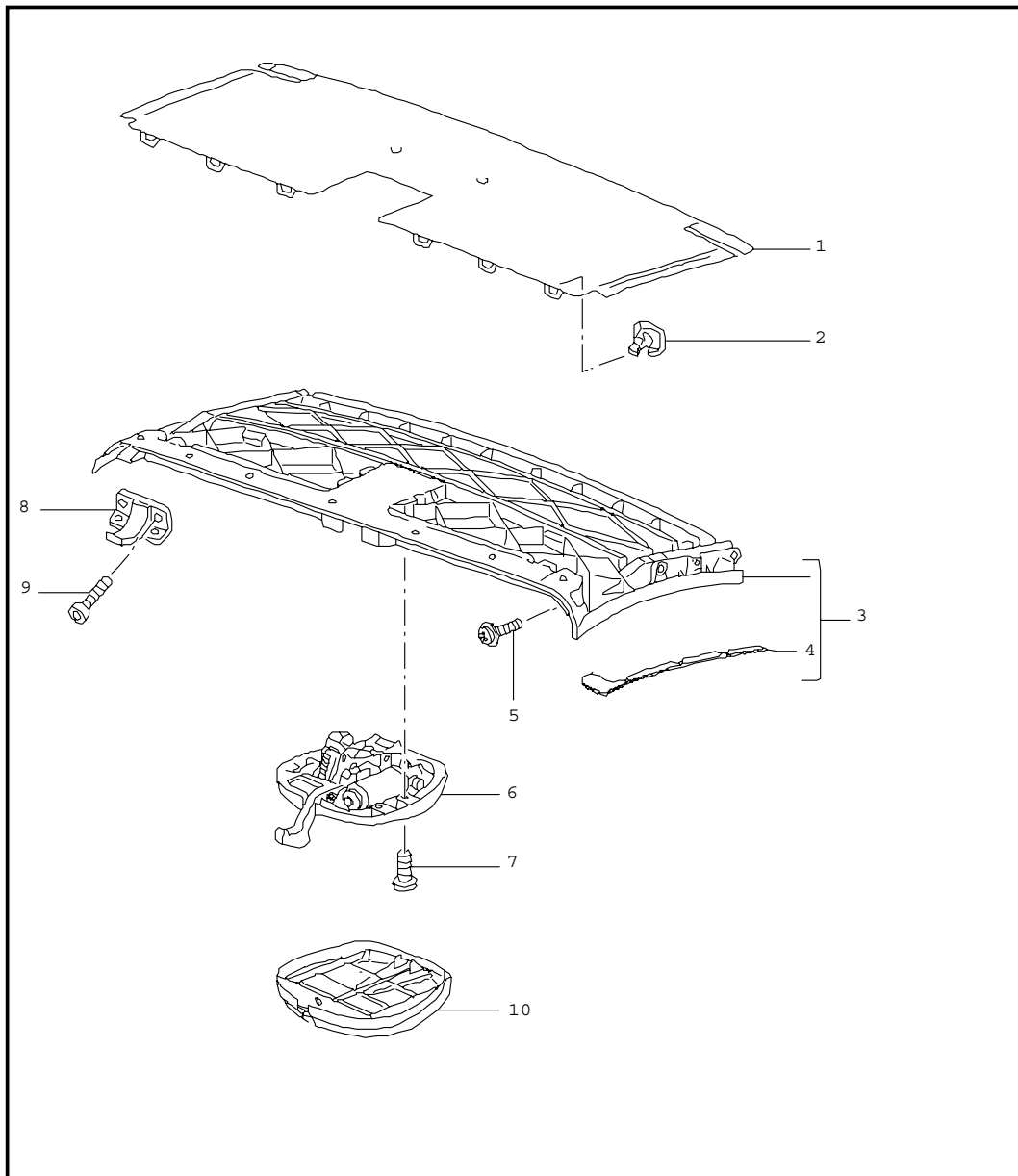


| Pos | Part Number | Name | Remarks | Qty | Model |
|-----|----------------|--------------------------|---------------------|-----|-------|
| | | sunroof | | | I650 |
| 1 | 996 564 941 01 | cover | | 1 | |
| | | GRV | prime coated | | |
| 2 | 997 624 211 00 | driving mechanism | | 1 | |
| 3 | 996 564 213 00 | spacer | | 1 | |
| 4 | 999 073 135 07 | countersunk-head screw | | 2 | |
| 5 | 999 703 258 42 | clip | | 2 | |
| 6 | 997 564 015 00 | sunroof | | 1 | |
| 7 | 996 564 021 04 | roof lining alcantara | | 1 | |
| | | A14 | black | | |
| | | B14 | stone grey | | |
| | | G14 | metropole blue | | |
| | | T44 | sand beige | | |
| | | J44 | palmgreen | | |
| (7) | 996 564 983 00 | roof lining leather | | 1 | |
| | | A11 | black | | |
| | | 5X6 | stone grey | | |
| | | 8G2 | sand beige | | |
| | | 3S9 | sea blue | | |
| | | 4P2 | palmgreen | | |
| | | 9S5 | terracotta | | |
| | | D12 | dark grey/natural | | |
| | | T12 | natural brown | | |
| | | 9V6 | cocoa | | |
| 8 | 996 564 181 00 | cover outer | /L | 1 | |
| | | 01C | black | | |
| | | M6X | dark olive-metallic | | |

| | | | | | | | | | | | |
|-------|------|----|----|--------------|--------------|--------|------|------------|---------|-----|---------|
| Model | Year | MG | SG | Illustration | Restrictions | Update | 7:44 | 28.08.2006 | PORSCHE | PET | PORSCHE |
| 997 | 07 | 8 | 11 | 811-00 | | 203 | | | | | |

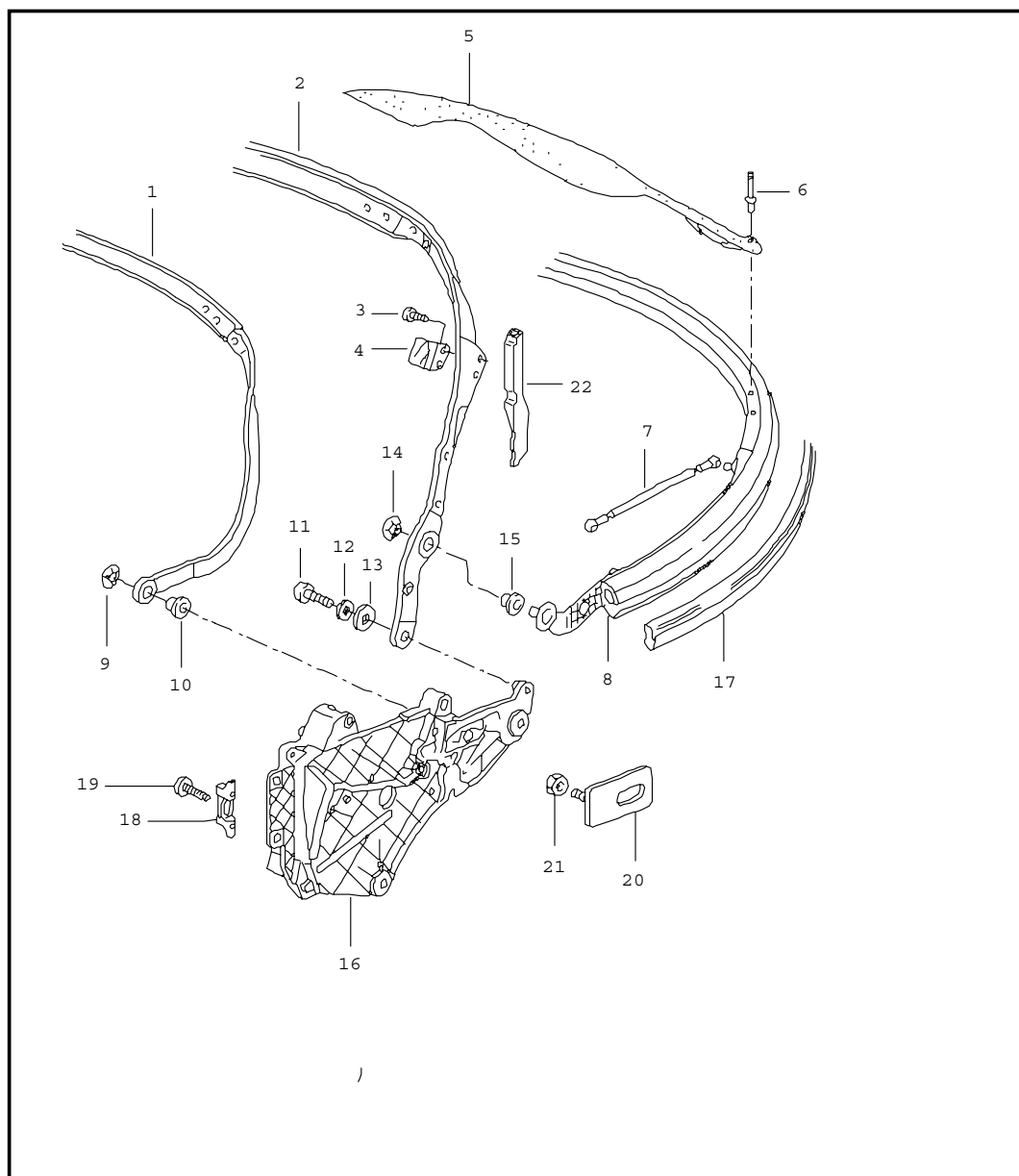
| Pos | Part Number | Name | Remarks | Qty | Model | Pos | Part Number | Name | Remarks | Qty | Model |
|------|----------------|------------------------------------|---------|-----|-------|-----|----------------|-----------------------|---------|-----|-------|
| (8) | 996 564 182 00 | cover outer | /R | 1 | | -- | 997 564 905 00 | damping piece rear | | 2 | |
| | 01C | black | | | | | | - - - E N D - - - | | | |
| | M6X | dark olive-metallic | | | | | | | | | |
| 9 | 996 564 241 00 | interior lining inner | /L | 1 | | | | | | | |
| (9) | 996 564 242 00 | interior lining inner | /R | 1 | | | | | | | |
| 10 | 997 564 211 00 | gasket | | 1 | | | | | | | |
| 11 | 996 561 825 00 | water drain valve | | 4 | | | | | | | |
| 12 | 999 073 131 02 | oval-head screw M6X25 | -05 | 4 | | | | | | | |
| 12 | 999 073 366 02 | oval-head screw M6X30 | 06- | 4 | | | | | | | |
| 13 | 999 073 130 02 | oval-head screw M6X16 | | 6 | | | | | | | |
| 14 | 996 564 207 00 | water drain hose front | | 2 | | | | | | | |
| 15 | 996 564 205 01 | water drain hose | | 2 | | | | | | | |
| 16 | 900 143 133 07 | tapping screw | | 4 | | | | | | | |
| 17 | 996 564 245 00 | screw | | 4 | | | | | | | |
| 18 | 999 507 631 02 | cable holder | | 6 | | | | | | | |
| 19 | 999 591 348 02 | speed nut | | 2 | | | | | | | |
| 20 | 996 564 161 02 | air deflector | -05 | 1 | | | | | | | |
| 20 | 997 564 161 00 | air deflector | 06- | 1 | | | | | | | |
| 21 | 996 564 521 01 | hinge | | 1 | | | | | | | |
| (21) | 996 564 522 01 | hinge | | 1 | | | | | | | |
| -- | 996 564 950 00 | sound absorber | | 1 | | | | | | | |
| -- | 997 564 950 00 | assembly kit for roof lining | | 1 | C4 | | | | | | |
| 23 | 996 564 907 01 | protective edging | | 1 | | | | | | | |
| -- | 997 564 903 00 | damping piece front | | 2 | | | | | | | |

| | | | | | | | | | | | |
|-------|------|----|----|--------------|--------------|--------|------|------------|---------|-----|---------|
| Model | Year | MG | SG | Illustration | Restrictions | Update | 7:44 | 28.08.2006 | PORSCHE | PET | PORSCHE |
| 997 | 07 | 8 | 11 | 811-05 | | 203 | | | | | |



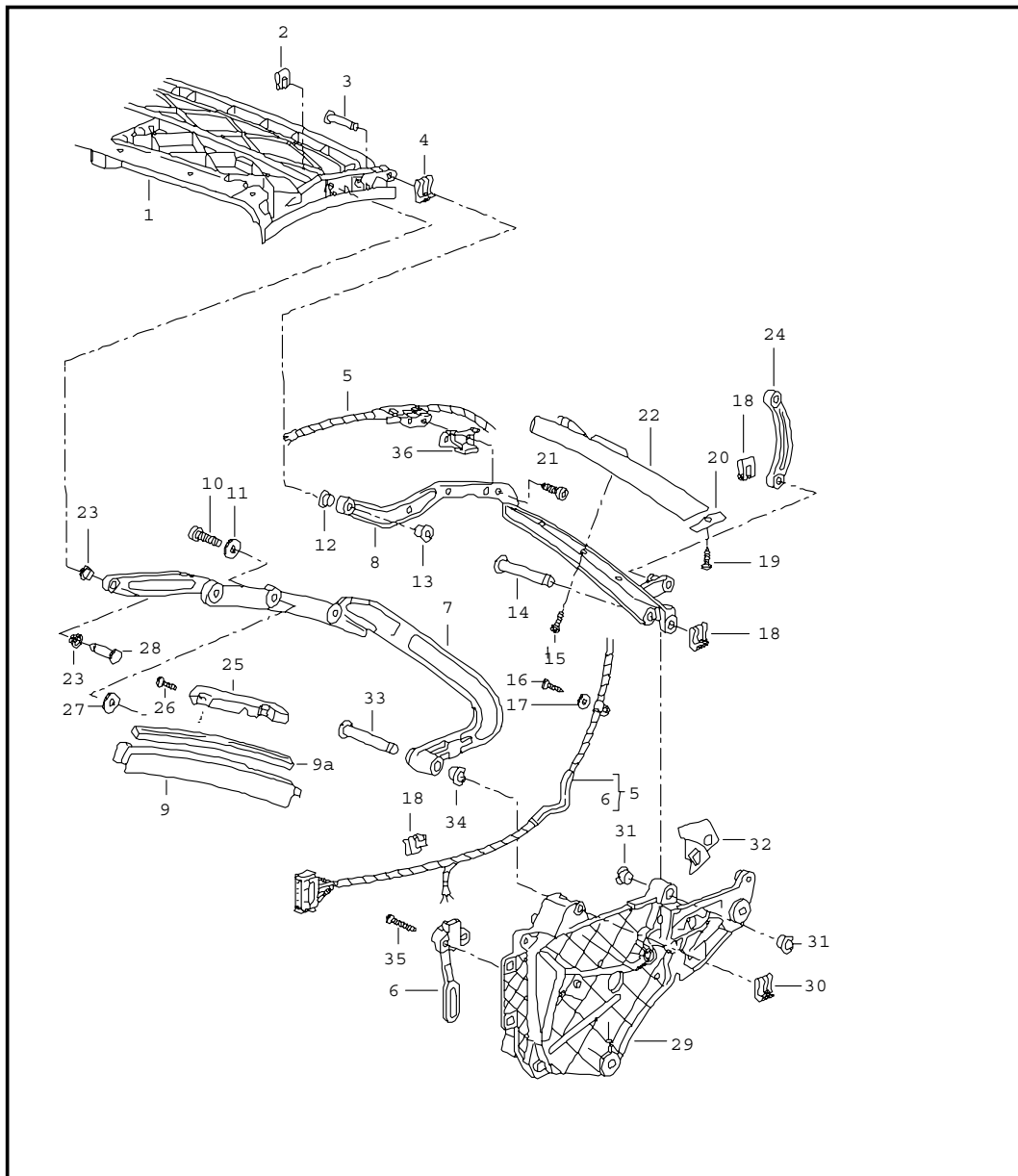
| Pos | Part Number | Name | Remarks | Qty | Model |
|-----|----------------|---|---------|-----|-------|
| | | convertible top frame front roof frame catch | | | |
| 1 | 996 561 963 00 | base | | 1 | |
| 2 | 996 561 731 00 | clip | | 6 | |
| 3 | 997 561 905 00 | roof frame | | 1 | |
| | A09 | black | | | |
| 4 | 996 561 807 00 | gasket roof frame plastic foam strip | /L | 1 | |
| 4 | 996 561 808 00 | gasket roof frame plastic foam strip | /R | 1 | |
| 5 | 996 561 247 00 | expansion rivet | | 6 | |
| 6 | 997 561 117 00 | catch | | 1 | |
| 7 | 999 073 195 09 | oval-head screw | | 4 | |
| 8 | 997 561 605 00 | centring journal | /L | 1 | |
| (8) | 997 561 606 00 | centring journal | /R | 1 | |
| 9 | 999 919 144 09 | oval-head screw | | 4 | |
| 10 | 997 561 515 00 | trim | | 1 | |
| | 01C | black | | | |
| - | 000 043 206 65 | grease Krytox 1 tube 56 Gramm | | X | |
| - | 000 043 206 83 | grease Optitemp LG2 1 tube 80 Gramm | | X | |
| - | 999 917 557 00 | grease Osixo 30 ml | | X | |
| | | - - - E N D - - - | | | |

| | | | | | | | | | | | |
|-------|------|----|----|--------------|--------------|--------|------|------------|---------|-----|---------|
| Model | Year | MG | SG | Illustration | Restrictions | Update | 7:44 | 28.08.2006 | PORSCHE | PET | PORSCHE |
| 997 | 07 | 8 | 11 | 811-06 | | 203 | | | | | |



| Pos | Part Number | Name | Remarks | Qty | Model |
|------|----------------|---|---------|-----|-------|
| | | convertible top frame single parts | | | |
| 1 | 996 561 042 01 | bow | | 1 | |
| 2 | 996 561 037 00 | bow | | 1 | |
| 3 | 900 146 003 02 | oval-head screw | | 4 | |
| 4 | 996 561 959 00 | thrust wedge | | 2 | |
| 5 | 997 561 089 01 | restraining strap | /L | 1 | |
| (5) | 997 561 090 01 | restraining strap | /R | 1 | |
| 6 | 999 190 446 30 | rivet | | X | |
| 8 | 996 561 041 01 | bow | | 1 | |
| 9 | 996 561 645 00 | lock | | 4 | |
| 10 | 999 924 122 40 | bush | | 4 | |
| 11 | 999 073 195 09 | oval-head screw | | 2 | |
| 12 | 900 151 006 09 | washer | | 2 | |
| 13 | 999 924 131 30 | washer | | 2 | |
| 14 | 996 561 645 00 | lock | | 4 | |
| 15 | 999 924 122 40 | bush | | X | |
| 16 | 996 561 443 00 | convertible top support | /L | 1 | |
| (16) | 996 561 444 00 | convertible top support | /R | 1 | |
| 17 | 996 561 693 00 | additional gasket FUER bow POS.8 | | 1 | |
| 18 | 996 561 735 02 | adjusting shim | | 2 | |
| 19 | 999 073 138 09 | screw | | 2 | |
| 20 | 996 561 715 00 | support | | 2 | |
| 21 | 999 084 630 09 | hexagon nut | | 2 | |
| 22 | 996 561 259 00 | gasket | /L | 1 | |
| (22) | 996 561 260 00 | gasket | /R | 1 | |
| -- | 996 561 055 01 | bracket for tension rope | /L | 1 | |

| | | | | | | | | | | | |
|-------|------|----|----|--------------|--------------|--------|------|------------|---------|-----|---------|
| Model | Year | MG | SG | Illustration | Restrictions | Update | 7:44 | 28.08.2006 | PORSCHE | PET | PORSCHE |
| 997 | 07 | 8 | 11 | 811-07 | | 203 | | | | | |

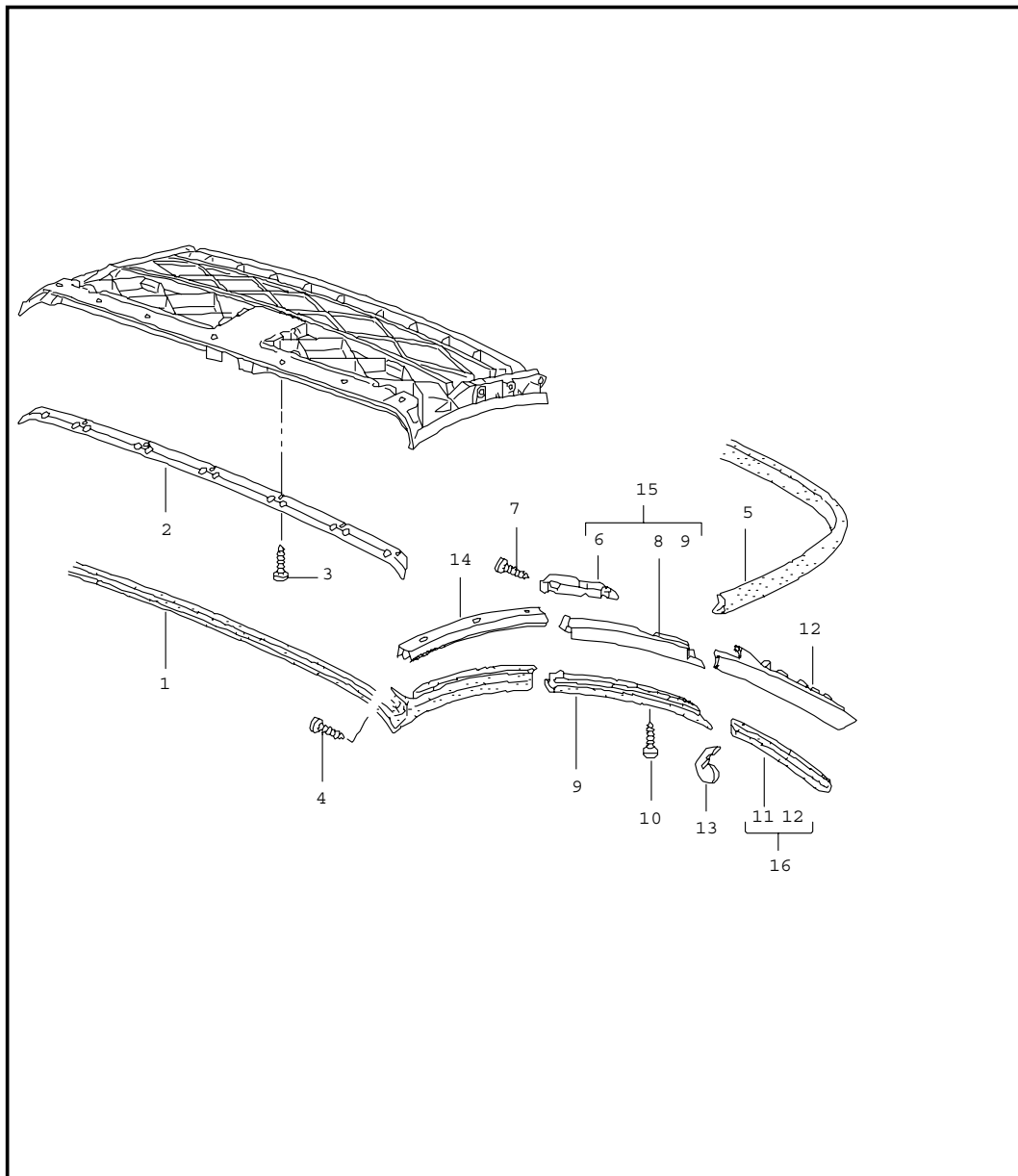


| Pos | Part Number | Name | Remarks | Qty | Model |
|-----|----------------|---------------------------------------|---------|-----|-------|
| | | convertible top frame single parts | | | |
| 1 | 997 561 905 00 | roof frame | | 1 | |
| | A09 | black | | | |
| 2 | 999 166 075 02 | lock | | X | |
| 3 | 999 088 050 30 | bolt 8X27,8 | | 2 | |
| - | 997 561 909 00 | repair kit bush bolt lock | | 1 | |
| 4 | 999 166 075 02 | lock | | X | |
| 5 | 997 612 698 00 | wiring harness | | 1 | |
| 6 | 996 613 313 02 | potentiometer | | 1 | |
| 7 | 996 561 335 00 | roof frame | /L | 1 | |
| (7) | 996 561 336 00 | roof frame | /R | 1 | |
| 8 | 996 561 339 00 | roof frame | /L | 1 | |
| (8) | 996 561 340 00 | roof frame | /R | 1 | |
| 9 | 996 561 355 00 | sealing frame | /L | 1 | |
| (9) | 996 561 356 00 | sealing frame | /R | 1 | |
| 9A | 996 561 219 00 | gasket for sealing frame | | 2 | |
| 10 | 999 073 195 09 | screw M 6X20 | | X | |
| 11 | 900 151 006 09 | washer | | X | |
| 12 | 999 924 086 40 | bearing sleeve | | 4 | |
| 13 | 999 924 086 40 | bearing sleeve | | 4 | |
| 14 | 999 088 031 30 | bolt | | 1 | |
| 15 | 999 919 152 09 | oval-head screw | | X | |
| 16 | 900 144 101 02 | tapping screw | | X | |
| 17 | 900 151 027 02 | washer | | 8 | |
| 18 | 999 166 076 02 | lock | | X | |

| | | | | | | | | | | | |
|-------|------|----|----|--------------|--------------|--------|------|------------|---------|-----|---------|
| Model | Year | MG | SG | Illustration | Restrictions | Update | 7:44 | 28.08.2006 | PORSCHE | PET | PORSCHE |
| 997 | 07 | 8 | 11 | 811-07 | | 203 | | | | | |

| Pos | Part Number | Name | Remarks | Qty | Model | Pos | Part Number | Name | Remarks | Qty | Model |
|------|----------------|--------------------------|---------|-----|-------|-----|-------------|------|---------|-----|-------|
| 19 | 999 919 141 09 | oval-head screw | | 4 | | | | | | | |
| 20 | 996 561 239 00 | gasket | /L | 1 | | | | | | | |
| (20) | 996 561 240 00 | gasket | /R | 1 | | | | | | | |
| 21 | N 014 128 13 | oval-head screw M5X8 | | 4 | | | | | | | |
| 22 | 996 561 319 00 | frame | /L | 1 | | | | | | | |
| | A09 | black | | | | | | | | | |
| (22) | 996 561 320 00 | frame | /R | 1 | | | | | | | |
| | A09 | black | | | | | | | | | |
| 23 | 999 924 086 40 | bearing sleeve | | 8 | | | | | | | |
| 24 | 996 561 051 01 | lever | /L | 1 | | | | | | | |
| (24) | 996 561 052 01 | lever | /R | 1 | | | | | | | |
| 25 | 996 561 535 00 | guide | /L | 1 | | | | | | | |
| (25) | 996 561 536 00 | guide | /R | 1 | | | | | | | |
| 26 | 999 919 141 09 | oval-head screw | | 4 | | | | | | | |
| 27 | 999 025 267 09 | washer | | 8 | | | | | | | |
| 28 | 999 088 049 30 | bolt 8x32,8 | | 2 | | | | | | | |
| 29 | 996 561 443 00 | convertible top support | /L | 1 | | | | | | | |
| (29) | 996 561 444 00 | convertible top support | /R | 1 | | | | | | | |
| 30 | 999 166 076 02 | lock | | 6 | | | | | | | |
| 31 | 999 924 125 40 | bush | | 4 | | | | | | | |
| 32 | 996 561 249 01 | gasket | /L | 1 | | | | | | | |
| (32) | 996 561 250 01 | gasket | /R | 1 | | | | | | | |
| 33 | 999 088 031 30 | bolt | | 4 | | | | | | | |
| 34 | 999 924 125 40 | bush | | 4 | | | | | | | |
| 35 | 999 919 152 09 | oval-head screw 3,5X8 | | 2 | | | | | | | |
| | | - - - E N D - - - | | | | | | | | | |

| | | | | | | | | | | | |
|-------|------|----|----|--------------|--------------|--------|------|------------|---------|-----|---------|
| Model | Year | MG | SG | Illustration | Restrictions | Update | 7:45 | 28.08.2006 | PORSCHE | PET | PORSCHE |
| 997 | 07 | 8 | 11 | 811-09 | | 203 | | | | | |



| Pos | Part Number | Name | Remarks | Qty | Model |
|-----|------------------|----------------------|---------|-----|-------|
| | | convertible top seal | | | |
| 1 | 997 561 327 00 | roof frame seal | | 1 | |
| 2 | 997 561 501 00 | retaining strip | | 1 | |
| 3 | 999 919 139 09 | oval-head screw | | 7 | |
| 4 | 999 919 139 09 | oval-head screw | | 2 | |
| 5 | 996 561 449 00 | gasket | | 1 | |
| 6 | U 996 561 535 00 | guide | /L | 1 | |
| | | F >>996S7 56018 | | | |
| | | F >>996S7 66265 | | | |
| | | F >>996S7 50545 | | | |
| | | F >>996S7 60997 | | | |
| | | order | | | |
| | | Pos. 15 + 16 | | | |
| | | F 996S7 56019>> | | | |
| | | F 996S7 66266>> | | | |
| | | F 996S7 50546>> | | | |
| | | F 996S7 60998>> | | | |
| | | order | | | |
| | | Pos. 15 | | | |
| (6) | U 996 561 536 00 | guide | /R | 1 | |
| | | F >>996S7 56018 | | | |
| | | F >>996S7 66265 | | | |
| | | F >>996S7 50545 | | | |
| | | F >>996S7 60997 | | | |
| | | order | | | |
| | | Pos. 15 + 16 | | | |
| | | F 996S7 56019>> | | | |
| | | F 996S7 66266>> | | | |
| | | F 996S7 50546>> | | | |
| | | F 996S7 60998>> | | | |
| | | order | | | |
| | | Pos. 15 | | | |
| 7 | 999 919 152 09 | oval-head screw | | 4 | |
| 8 | U 996 561 355 00 | frame | /L | 1 | |
| | | F >>996S7 56018 | | | |
| | | F >>996S7 66265 | | | |
| | | F >>996S7 50545 | | | |
| | | F >>996S7 60997 | | | |
| | | order | | | |
| | | Pos. 15+16 | | | |
| | | F 996S7 56019>> | | | |
| | | F 996S7 66266>> | | | |
| | | F 996S7 50546>> | | | |
| | | F 996S7 60998>> | | | |
| | | order | | | |
| | | Pos. 15 | | | |

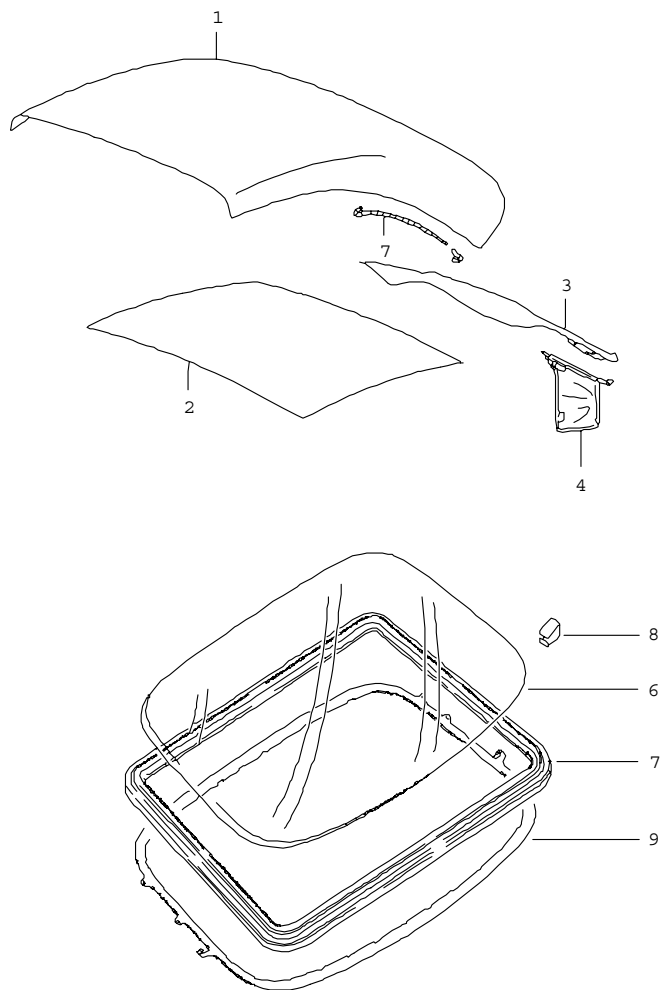
| | | | | | | | | | | | |
|-------|------|----|----|--------------|--------------|--------|------|------------|---------|-----|---------|
| Model | Year | MG | SG | Illustration | Restrictions | Update | 7:45 | 28.08.2006 | PORSCHE | PET | PORSCHE |
| 997 | 07 | 8 | 11 | 811-09 | | 203 | | | | | |

| Pos | Part Number | Name | Remarks | Qty | Model | Pos | Part Number | Name | Remarks | Qty | Model |
|-----|------------------|---|---------|-----|-------|------|------------------|---|---------|-----|-------|
| (8) | U 996 561 356 00 | frame F >>996S7 56018 F >>996S7 66265 F >>996S7 50545 F >>996S7 60997 order Pos. 15+16 F 996S7 56019>> F 996S7 66266>> F 996S7 50546>> F 996S7 60998>> order Pos. 15 | /R | 1 | | (11) | U 996 561 412 00 | gasket F >>996S7 56018 F >>996S7 66265 F >>996S7 50545 F >>996S7 60997 order Pos. 15 + 16 F 996S7 56019>> F 996S7 66266>> F 996S7 50546>> F 996S7 60998>> order Pos. 16 | /R | 1 | |
| 9 | U 996 561 413 00 | gasket F >>996S7 56018 F >>996S7 66265 F >>996S7 50545 F >>996S7 60997 order Pos. 15 + 16 F 996S7 56019>> F 996S7 66266>> F 996S7 50546>> F 996S7 60998>> order Pos. 15 | /L | 1 | | 12 | U 996 561 319 00 | frame black F >>996S7 56018 F >>996S7 66265 F >>996S7 50545 F >>996S7 60997 order Pos. 15 + 16 F 996S7 56019>> F 996S7 66266>> F 996S7 50546>> F 996S7 60998>> order Pos. 16 | /L | 1 | |
| 9 | U 996 561 414 00 | gasket F >>996S7 56018 F >>996S7 66265 F >>996S7 50545 F >>996S7 60997 order Pos. 15 + 16 F 996S7 56019>> F 996S7 66266>> F 996S7 50546>> F 996S7 60998>> order Pos. 15 | /R | 1 | | (12) | U 996 561 320 00 | frame black F >>996S7 56018 F >>996S7 66265 F >>996S7 50545 F >>996S7 60997 order Pos. 15 + 16 F 996S7 56019>> F 996S7 66266>> F 996S7 50546>> F 996S7 60998>> order Pos. 16 | /R | 1 | |
| 10 | 999 919 152 09 | oval-head screw | | 8 | | | | | | | |
| 11 | U 996 561 411 00 | gasket F >>996S7 56018 F >>996S7 66265 F >>996S7 50545 F >>996S7 60997 order Pos. 15 + 16 F 996S7 56019>> F 996S7 66266>> F 996S7 50546>> F 996S7 60998>> order Pos. 16 | /L | 1 | | 13 | 996 561 935 00 | filler piece set | | 2 | |
| | | | | | | 15 | N 997 561 913 01 | gaskets | /L | 1 | |
| | | | | | | (15) | N 997 561 914 01 | gaskets assembly kit pos. 6,8,9 roof frame front | /R | 1 | |
| | | | | | | 16 | N 997 561 923 00 | gaskets | /L | 1 | |

| | | | | | | | | | | | |
|-------|------|----|----|--------------|--------------|--------|------|------------|---------|-----|---------|
| Model | Year | MG | SG | Illustration | Restrictions | Update | | | | | |
| 997 | 07 | 8 | 11 | 811-09 | | 203 | 7:45 | 28.08.2006 | PORSCHE | PET | PORSCHE |

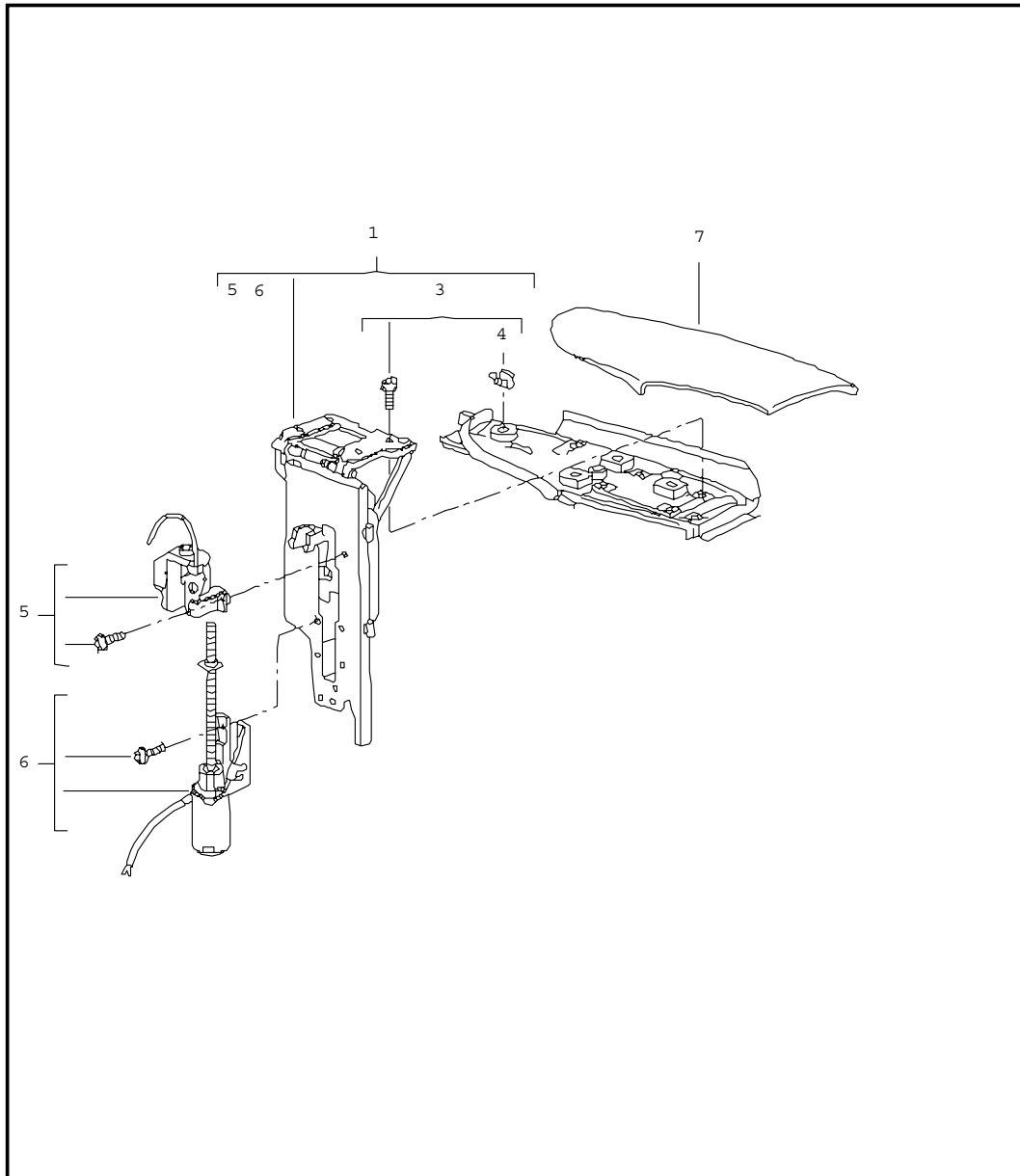
| Pos | Part Number | Name | Remarks | Qty | Model | Pos | Part Number | Name | Remarks | Qty | Model |
|------|------------------|--|---------|-----|-------|-----|-------------|------|---------|-----|-------|
| (16) | N 997 561 924 00 | gaskets assembly kit Pos. 11,12 roof frame rear - - - E N D - - - | /R | 1 | | | | | | | |

| | | | | | | | | | | | |
|-------|------|----|----|--------------|--------------|--------|------|------------|---------|-----|---------|
| Model | Year | MG | SG | Illustration | Restrictions | Update | 7:45 | 28.08.2006 | PORSCHE | PET | PORSCHE |
| 997 | 07 | 8 | 11 | 811-10 | | 203 | | | | | |



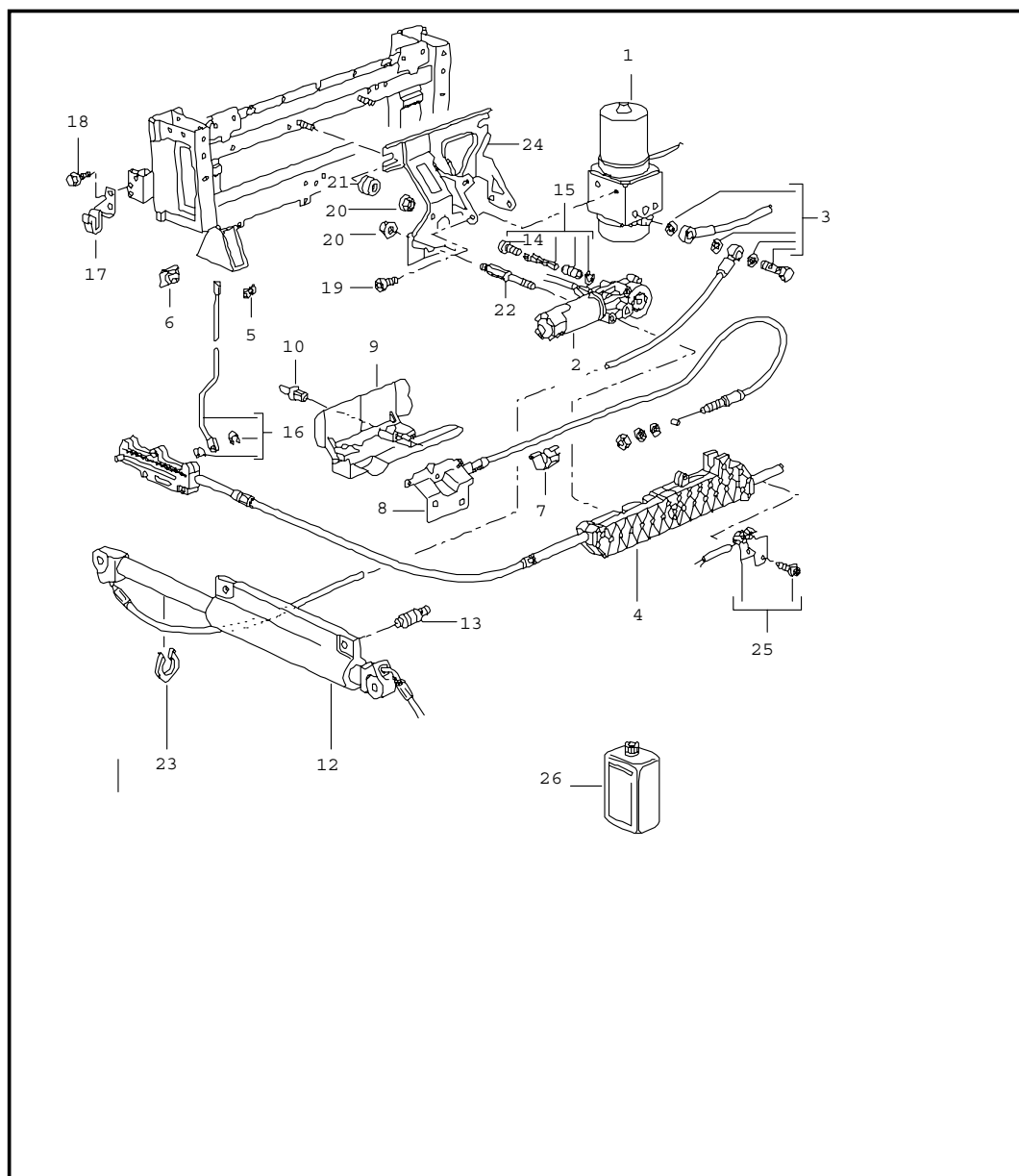
| Pos | Part Number | Name | Remarks | Qty | Model |
|-----|----------------|--|---------|-----|-------|
| | | convertible top covering roof lining | | | |
| 1 | 997 561 901 00 | convertible top covering without rear window | | 1 | |
| | A10 | black | | | |
| | C17 | stone grey | | | |
| | G02 | metropole blue | | | |
| | R17 | brown | | | |
| 2 | 997 561 085 01 | roof lining | | 1 | |
| | A21 | black | | | |
| 3 | 997 561 089 01 | restraining strap | /L | 1 | |
| (3) | 997 561 090 01 | restraining strap | /R | 1 | |
| 4 | 997 561 095 01 | bag | /L | 1 | |
| | A20 | black | | | |
| (4) | 997 561 096 01 | bag | /R | 1 | |
| | A20 | black | | | |
| 5 | 996 561 931 01 | tension rope | | 2 | |
| 6 | 996 561 101 00 | rear window | | 1 | |
| 7 | 996 561 331 00 | gasket | | 1 | |
| 8 | 996 561 205 00 | clamp | | 32 | |
| 9 | 996 561 203 00 | frame | | 1 | |
| | | - - - E N D - - - | | | |

| | | | | | | | | | | | |
|-------|------|----|----|--------------|--------------|--------|------|------------|---------|-----|---------|
| Model | Year | MG | SG | Illustration | Restrictions | Update | 7:45 | 28.08.2006 | PORSCHE | PET | PORSCHE |
| 997 | 07 | 8 | 11 | 811-11 | | 203 | | | | | |



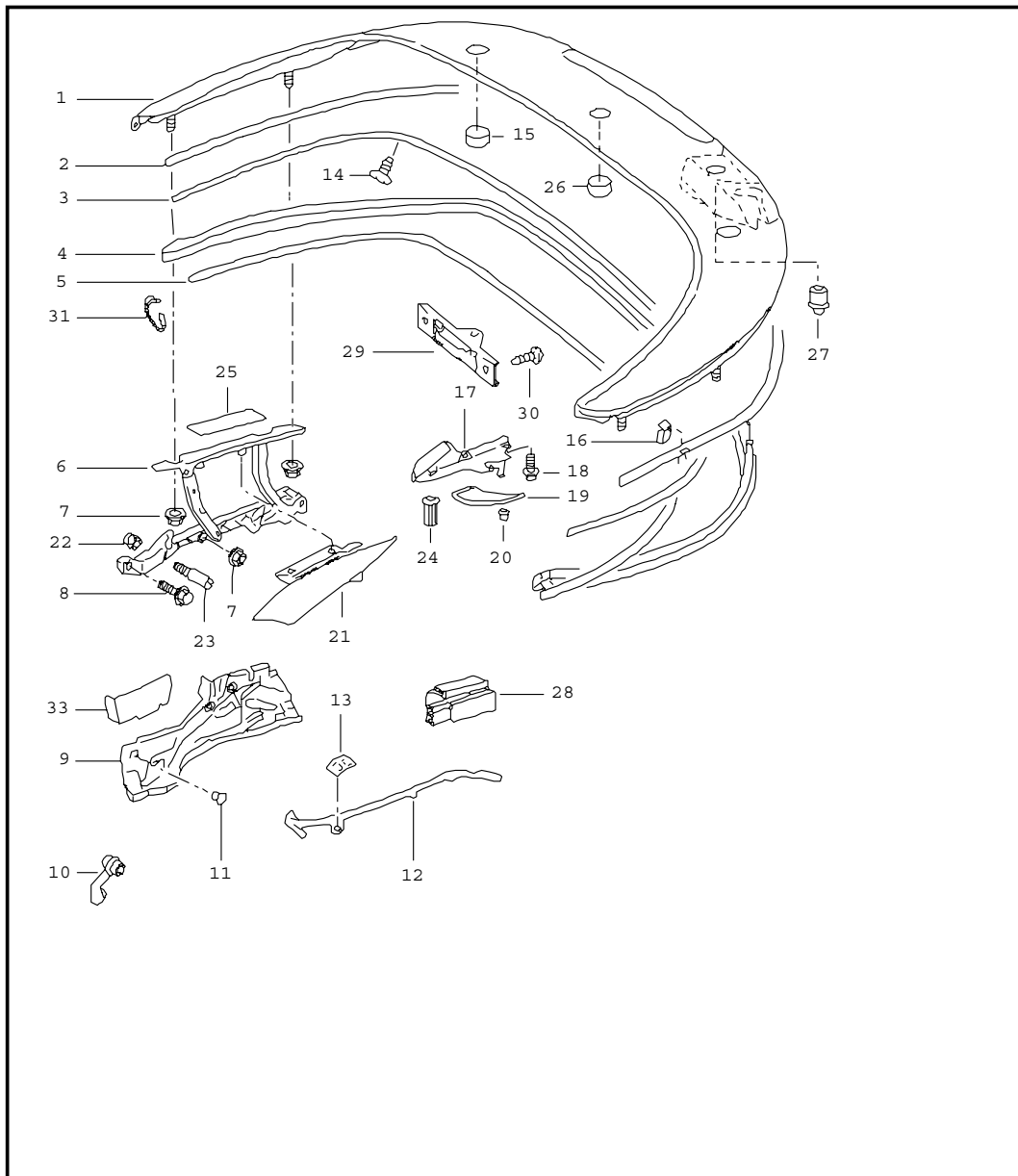
| Pos | Part Number | Name | Remarks | Qty | Model |
|-----|----------------|--------------------------------|---------|-----|-------|
| | | flap lateral folding top | | | |
| 1 | 996 561 175 01 | flap | /L | 1 | |
| (1) | 996 561 176 01 | flap | /R | 1 | |
| 2 | 996 561 911 00 | lower part | | 1 | |
| (2) | 996 561 912 00 | lower part | | 1 | |
| 3 | 996 561 625 00 | flap | /L | 1 | |
| (3) | 996 561 626 00 | flap | /R | 1 | |
| 5 | 996 561 685 00 | microswitch | /L | 1 | |
| (5) | 996 561 686 00 | microswitch | /R | 1 | |
| 6 | 996 561 675 00 | driving mechanism | /L | 1 | |
| (6) | 996 561 676 00 | driving mechanism | /R | 1 | |
| 7 | --- --- --- -- | see illustrations 8/07/07 | /R | 1 | |
| | | - - - E N D - - - | | | |

| | | | | | | | | | | | |
|-------|------|----|----|--------------|--------------|--------|------|------------|---------|-----|---------|
| Model | Year | MG | SG | Illustration | Restrictions | Update | 7:45 | 28.08.2006 | PORSCHE | PET | PORSCHE |
| 997 | 07 | 8 | 11 | 811-12 | | 203 | | | | | |



| Pos | Part Number | Name | Remarks | Qty | Model |
|------|----------------|---|---------|-----|-------|
| | | convertible top driving mechanism hydraulic | | | |
| 1 | 996 561 307 02 | pump | | 1 | |
| 2 | 996 561 933 00 | engine | | 1 | |
| 3 | 996 561 573 00 | banjo bolt | | 2 | |
| 4 | 996 561 021 04 | driving mechanism | | 1 | |
| 5 | 999 166 054 02 | lock | | 2 | |
| 6 | 999 703 425 40 | spacer sleeve | | 2 | |
| 7 | 999 507 683 40 | cable holder | | X | |
| 8 | 996 561 065 01 | locking device | | 1 | |
| 9 | 996 561 265 03 | lining | | 1 | |
| 10 | 999 591 941 40 | expansion rivet | | X | |
| 12 | 996 561 945 02 | cylinder | | 2 | |
| 13 | 996 561 245 00 | bolt | | 1 | |
| 14 | 996 561 671 00 | screw | | 1 | |
| 15 | 996 561 673 00 | repair kit | | 1 | |
| 15 | 996 561 673 01 | repair kit | | 1 | |
| 16 | 996 561 229 00 | push rod | /L | 1 | |
| 16 | 996 561 230 00 | push rod | /R | 1 | |
| 18 | 900 378 173 09 | hexagon-head tapping screw | | X | |
| 22 - | 996 561 863 01 | stud | | 3 | |
| 23 | 996 561 281 00 | retainer | | 2 | |
| 24 | 996 561 207 01 | bracket convertible top compartm. driving mechanism | | 1 | |
| 25 | 996 561 165 00 | microswitch | | 1 | |
| 25 | 996 561 165 01 | microswitch | | 1 | |
| 26 | 000 043 204 89 | OEL 250 ML | | X | |
| | | - - - E N D - - - | | | |

| | | | | | | | | | | | |
|-------|------|----|----|--------------|--------------|--------|------|------------|---------|-----|---------|
| Model | Year | MG | SG | Illustration | Restrictions | Update | 7:46 | 28.08.2006 | PORSCHE | PET | PORSCHE |
| 997 | 07 | 8 | 11 | 811-13 | | 203 | | | | | |

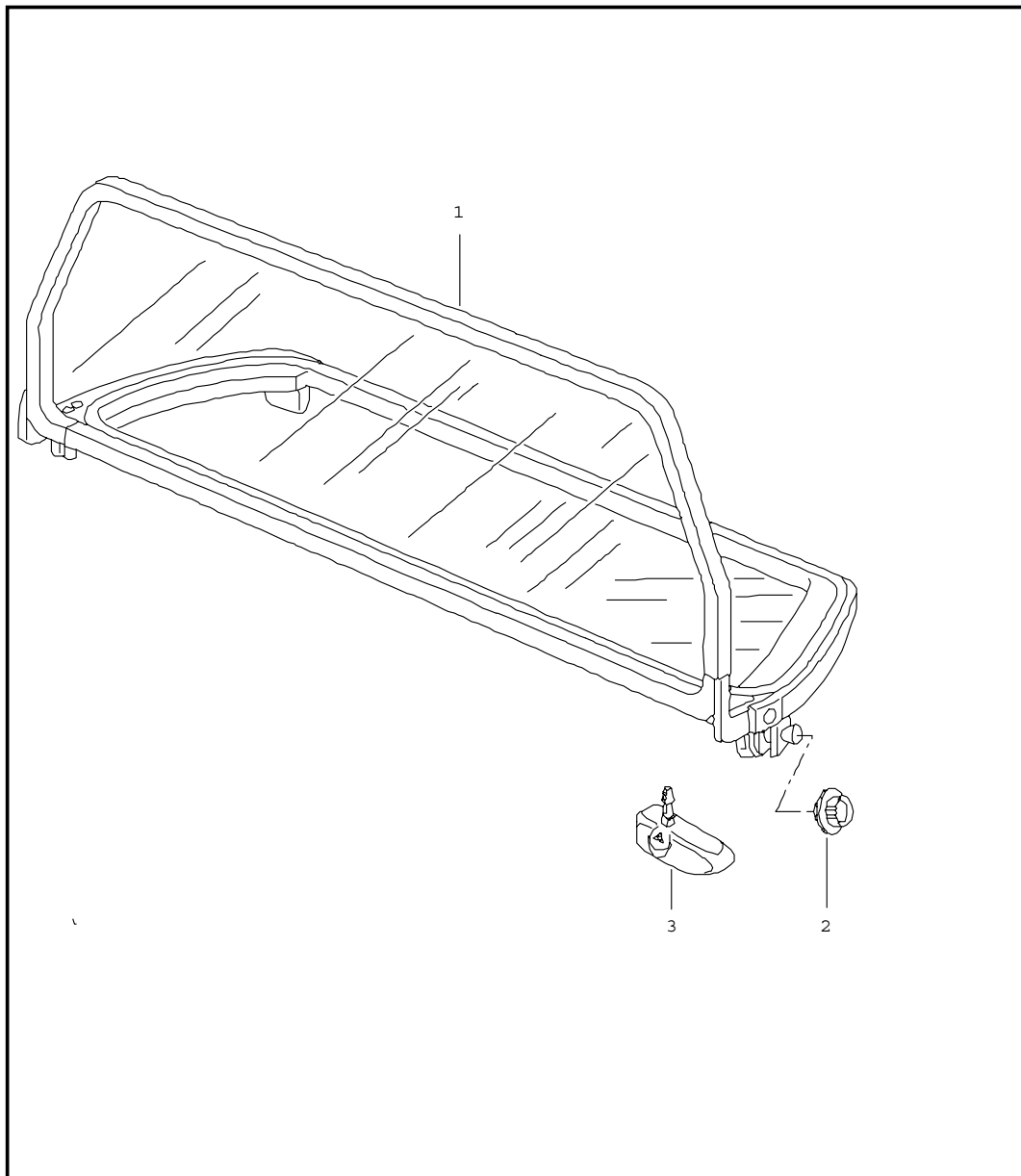


| Pos | Part Number | Name | Remarks | Qty | Model |
|------|------------------|---|---------|-----|-------|
| | | convertible top compartm. cover gaskets | | | |
| 1 | 997 514 011 00 | cover | | 1 | |
| | | GRV prime coated | | | |
| 2 | 996 514 631 00 | sealing strip | | 1 | |
| 3 | 996 514 731 00 | gasket | | 1 | |
| 4 | 997 514 714 01 | protective edging | | 1 | |
| 5 | 997 514 211 00 | gasket | | 1 | |
| 6 | 996 561 907 02 | hinge | /L | 1 | |
| 6 | 996 561 908 02 | hinge | /R | 1 | |
| 7 | 900 377 003 02 | hexagon nut | | 4 | |
| 8 | 900 378 180 09 | hexagon-head bolt | | 2 | |
| 9 | 996 561 805 03 | water drip pan | /L | 1 | |
| 9 | 996 561 806 03 | water drip pan | /R | 1 | |
| 10 | 996 561 815 01 | water drain hose | /L | 1 | |
| 10 | 996 561 816 01 | water drain hose | /R | 1 | |
| - | N 996 561 809 00 | clamp for Pos. 10 | | 2 | |
| 11 | 999 703 432 40 | plug | | 2 | |
| 12 | 996 561 755 01 | water drain strip | | 1 | |
| (12) | 996 561 756 01 | water drain strip | | 1 | |
| 13 | 999 507 647 02 | tab washer | | 4 | |
| 14 | 999 073 047 02 | tapping screw | | 2 | |
| 15 | 996 561 633 01 | buffer | | 2 | |
| 16 | 999 507 600 09 | u-clamp | | 2 | |
| 17 | 997 514 651 00 | mounting | /L | 1 | |
| (17) | 997 514 652 00 | mounting | /R | 1 | |
| 18 | 999 073 189 09 | torx screw | | 6 | |
| 19 | 996 504 861 00 | cover | /L | 1 | |

| | | | | | | | | | | | |
|-------|------|----|----|--------------|--------------|--------|------|------------|---------|-----|---------|
| Model | Year | MG | SG | Illustration | Restrictions | Update | | | | | |
| 997 | 07 | 8 | 11 | 811-13 | | 203 | 7:46 | 28.08.2006 | PORSCHE | PET | PORSCHE |

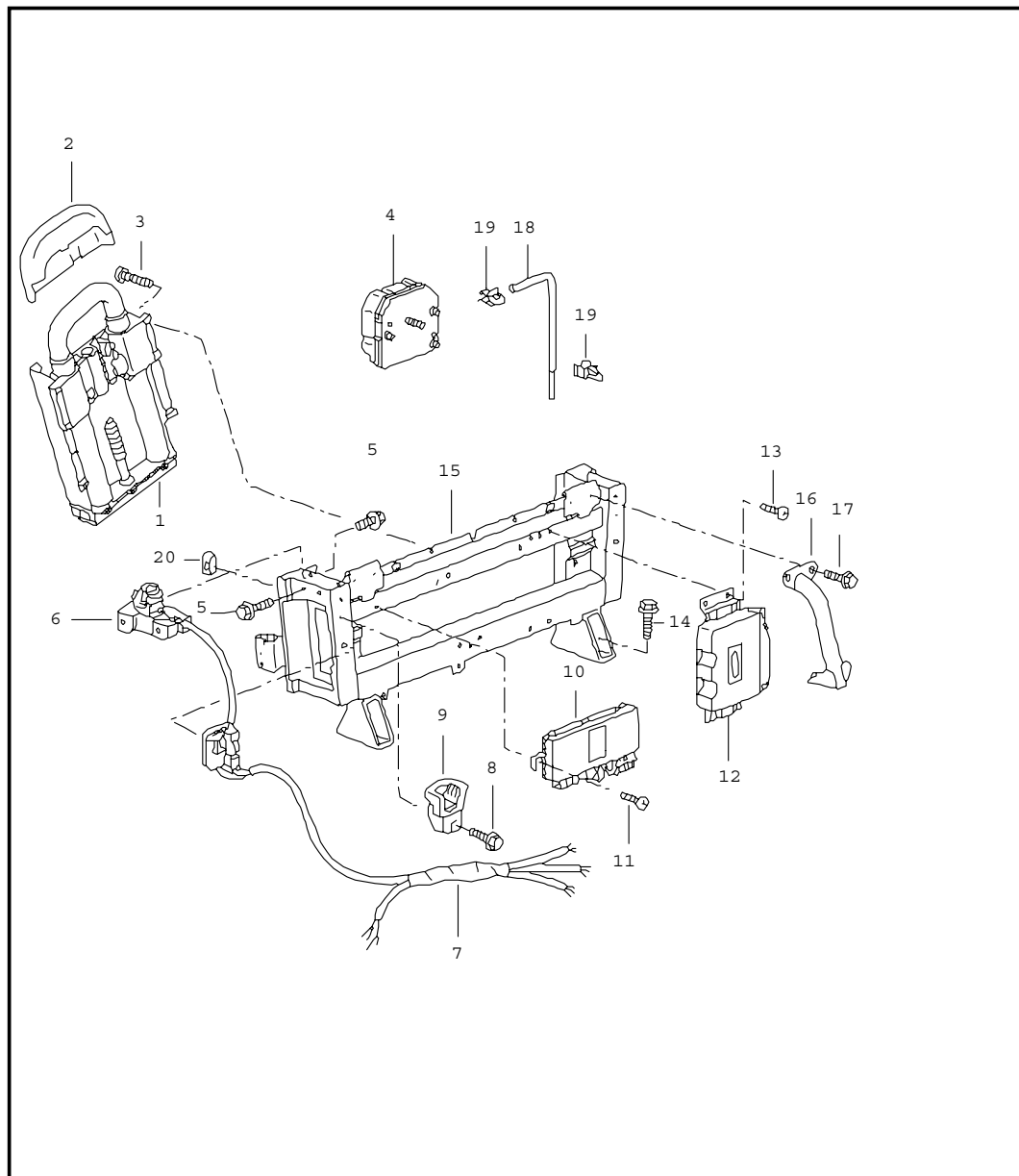
| Pos | Part Number | Name | Remarks | Qty | Model | Pos | Part Number | Name | Remarks | Qty | Model |
|------|----------------|-------------------|---------|-----|-------|-----|-------------|------|---------|-----|-------|
| | | GRV prime coated | | | | | | | | | |
| (19) | 996 504 862 00 | cover | /R | 1 | | | | | | | |
| | | GRV prime coated | | | | | | | | | |
| 21 | 996 561 061 02 | flap | /L | 1 | | | | | | | |
| (21) | 996 561 062 02 | flap | /R | 1 | | | | | | | |
| 22 | 999 500 086 02 | blind rivet nut | | 4 | | | | | | | |
| (24) | 996 504 855 01 | mounting | | 4 | | | | | | | |
| 25 | 996 561 904 00 | gasket | | X | | | | | | | |
| 26 | 986 561 633 01 | buffer | | 1 | | | | | | | |
| 27 | 999 703 140 40 | rubber buffer | | 1 | | | | | | | |
| 28 | 996 561 401 00 | stop | /L | 1 | | | | | | | |
| (28) | 996 561 402 00 | stop | /R | 1 | | | | | | | |
| 29 | 996 561 465 00 | clip | | 1 | | | | | | | |
| 30 | 999 073 130 02 | oval-head screw | | 2 | | | | | | | |
| 31 | 996 514 511 00 | clip | | 2 | | | | | | | |
| 32 | 997 561 801 00 | stop -2MM | | 2 | | | | | | | |
| 32 | 997 561 801 01 | stop -1MM | | 2 | | | | | | | |
| 32 | 997 561 801 02 | stop +0 | | 2 | | | | | | | |
| 32 | 997 561 801 03 | stop +1MM | | 2 | | | | | | | |
| 32 | 997 561 801 04 | stop +2MM | | 2 | | | | | | | |
| 32 | 997 561 801 05 | stop +3MM | | 2 | | | | | | | |
| | | - - - E N D - - - | | | | | | | | | |

| | | | | | | | | | | | |
|-------|------|----|----|--------------|--------------|--------|------|------------|---------|-----|---------|
| Model | Year | MG | SG | Illustration | Restrictions | Update | 7:46 | 28.08.2006 | PORSCHE | PET | PORSCHE |
| 997 | 07 | 8 | 11 | 811-14 | | 203 | | | | | |



| Pos | Part Number | Name | Remarks | Qty | Model |
|-------------------|----------------|-----------------------|---------|-----|-------|
| | | wind deflector | | | |
| 1 | 996 561 125 03 | wind deflector | | 1 | |
| | 01C | black | | | |
| 2 | 996 561 127 00 | rose | /L | 1 | |
| | 01C | black | | | |
| 2 | 996 561 128 00 | rose | /R | 1 | |
| | 01C | black | | | |
| 3 | 996 561 955 00 | repair kit | /L | 1 | |
| (3) | 996 561 956 00 | repair kit | /R | 1 | |
| - | 997 561 161 01 | bag wind deflector | | 1 | |
| - - - E N D - - - | | | | | |

| | | | | | | | | | | | |
|-------|------|----|----|--------------|--------------|--------|------|------------|---------|-----|---------|
| Model | Year | MG | SG | Illustration | Restrictions | Update | 7:46 | 28.08.2006 | PORSCHE | PET | PORSCHE |
| 997 | 07 | 8 | 11 | 811-15 | | 203 | | | | | |

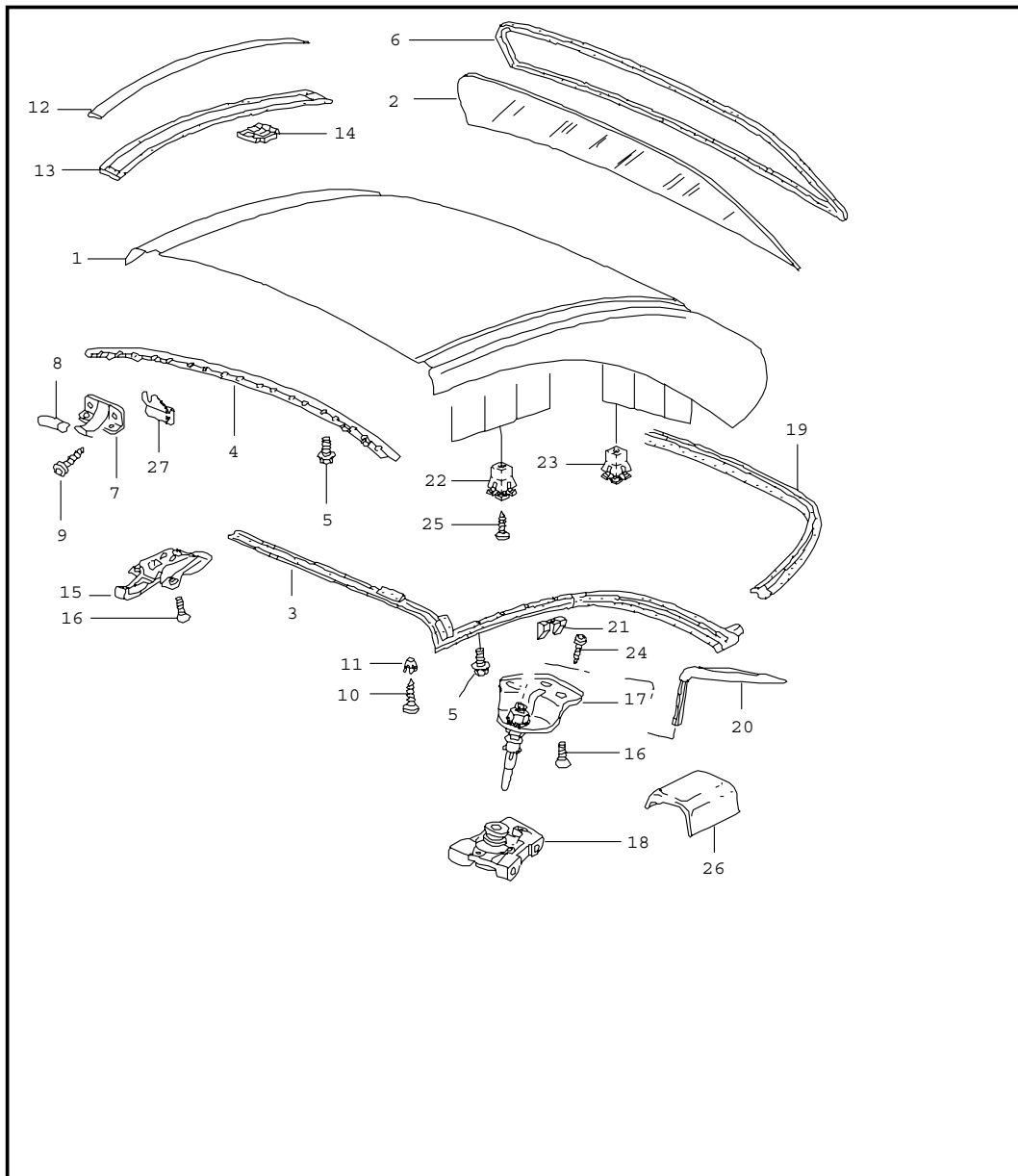


| Pos | Part Number | Name | Remarks | Qty | Model |
|------|----------------|----------------------|---------|-----|--------|
| | | roll-over bar | | | CABRIO |
| 1 | 997 580 021 01 | roll-over bar | | 2 | |
| 2 | 996 580 191 01 | cap | | 2 | |
| 3 | 900 067 382 09 | hexagon-head bolt | | 12 | |
| 4 | 996 618 281 00 | control unit | | 1 | |
| 5 | 900 378 173 09 | hexagon-head bolt | | 4 | |
| - | 999 084 635 02 | shear-off nut | | 3 | |
| 6 | 996 561 653 04 | mounting | /L | 1 | |
| (6) | 996 561 654 04 | mounting | /R | 1 | |
| 7 | 997 612 696 00 | wiring harness | | 1 | |
| 8 | 900 378 173 09 | hexagon-head bolt | | 2 | |
| 9 | 996 561 463 02 | guide | /L | 1 | |
| (9) | 996 561 464 02 | guide | /R | 1 | |
| 10 | 997 618 111 02 | control unit | 05 | 1 | |
| 10 N | 997 618 111 03 | control unit | 06- | 1 | |
| 11 | 999 073 060 02 | tapping screw | | X | |
| 12 | --- | see group 9/01/03 | | X | |
| 13 | 999 073 060 02 | tapping screw | | X | |
| 14 | 999 072 033 09 | hexagon-head bolt | | 4 | |
| 15 | 997 580 311 02 | auxiliary support | | 1 | |
| -- | 999 590 050 40 | catch | | 4 | |
| -- | 999 650 176 40 | clip | | 3 | |
| 16 | 997 580 331 02 | bracket | /L | 1 | |
| (16) | 997 580 332 02 | bracket | /R | 1 | |
| 17 | 900 378 101 09 | hexagon-head bolt | | X | |
| 18 | 999 571 079 03 | angular screw driver | | 1 | |
| 19 | 999 507 633 40 | retaining clip | | 2 | |
| 20 | 996 561 457 00 | sleeve | | 2 | |
| 21 | 996 561 297 00 | insert | /L | 1 | |

| | | | | | | | | | | | | |
|-------|------|----|----|--------------|--------------|--------|------|------------|---------|-----|---------|--|
| Model | Year | MG | SG | Illustration | Restrictions | Update | | | | | | |
| 997 | 07 | 8 | 11 | 811-15 | | 203 | 7:46 | 28.08.2006 | PORSCHE | PET | PORSCHE | |

| Pos | Part Number | Name | Remarks | Qty | Model | Pos | Part Number | Name | Remarks | Qty | Model |
|------|----------------|------------------------------|---------|-----|-------|-----|-------------|------|---------|-----|-------|
| (21) | 996 561 298 00 | insert | /R | 1 | | | | | | | |
| 22 | 999 217 166 01 | hexagon-head bolt M 10X55 | | 2 | | | | | | | |
| | | - - - E N D - - - | | | | | | | | | |

| | | | | | | | | | | | |
|-------|------|----|----|--------------|--------------|--------|------|------------|---------|-----|---------|
| Model | Year | MG | SG | Illustration | Restrictions | Update | 7:46 | 28.08.2006 | PORSCHE | PET | PORSCHE |
| 997 | 07 | 8 | 11 | 811-16 | | 203 | | | | | |

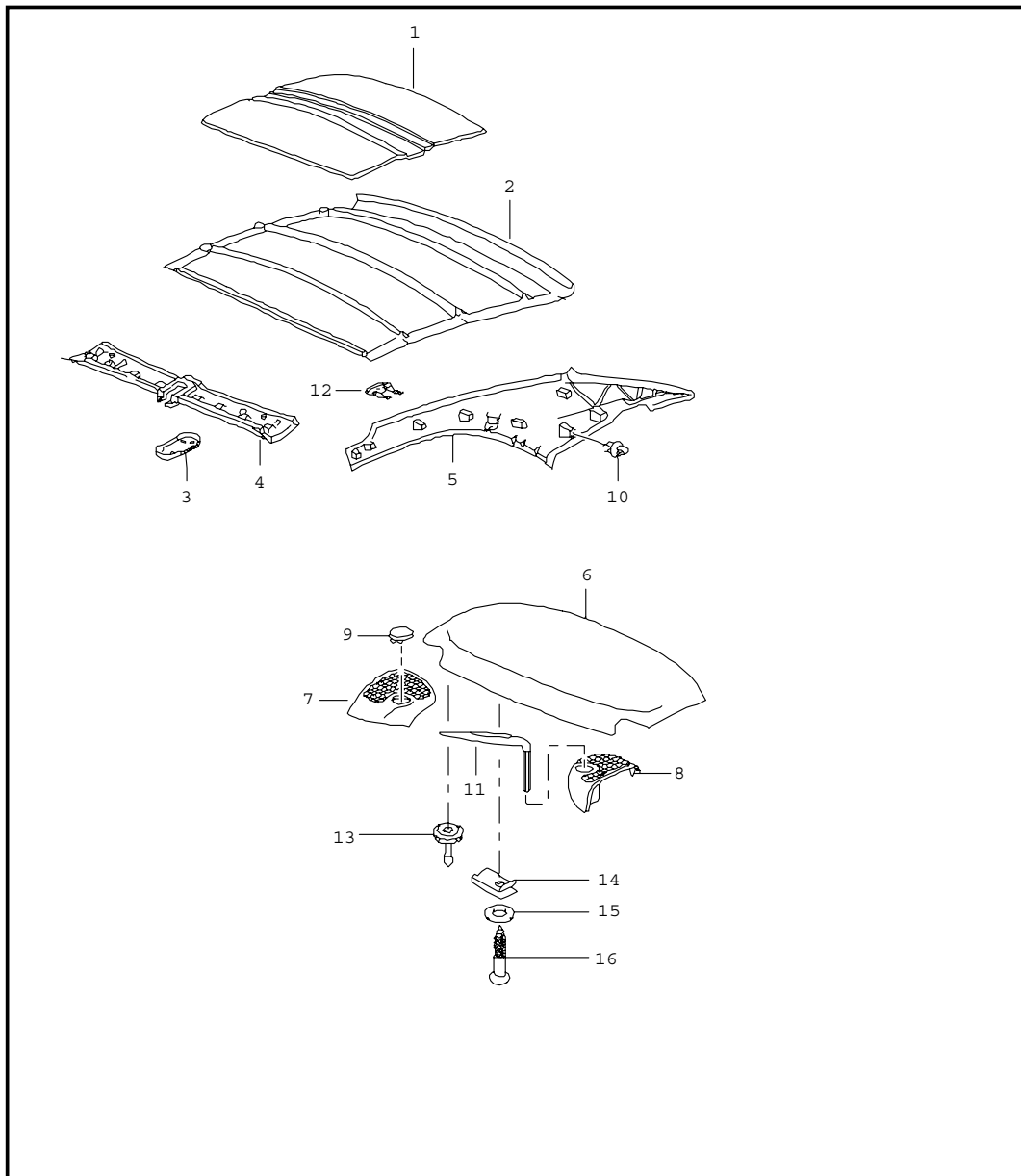


| Pos | Part Number | Name | Remarks | Qty | Model |
|------|----------------|------------------------------------|---------|-----|-------|
| | | hardtop accessories gaskets | | | I550 |
| 1 | 996 563 911 00 | hardtop | | 1 | |
| | GRV | prime coated without accessories | | | |
| 2 | 996 563 091 00 | rear window ready for installation | | 1 | |
| 3 | 997 563 225 00 | roof frame seal | | 1 | |
| -- | 996 563 309 00 | retaining strip | /L | 1 | |
| -- | 996 563 310 00 | retaining strip | /R | 1 | |
| 4 | 996 563 319 00 | retaining strip | | 1 | |
| 6 | 996 563 029 00 | gasket | | 1 | |
| 7 | 996 563 405 00 | centring journal | /L | 1 | |
| (7) | 996 563 406 00 | centring journal | /R | 1 | |
| 8 | 996 563 705 01 | cap | /L | 1 | |
| 8 | 996 563 706 01 | cap | /R | 1 | |
| 9 | 999 919 144 09 | oval-head screw | | 4 | |
| 10 | 999 073 049 02 | tapping screw | | 14 | |
| 11 | 999 507 547 40 | expander nut | | 8 | |
| 12 | 996 563 707 00 | cover strip | /L | 1 | |
| | GRV | prime coated | | | |
| (12) | 996 563 708 00 | cover strip | /R | 1 | |
| | GRV | prime coated | | | |
| 13 | 996 563 361 00 | gasket | /L | 1 | |
| (13) | 996 563 362 00 | gasket | /R | 1 | |
| 14 | 986 563 721 00 | clip | | 8 | |
| 15 | 996 563 401 00 | catch | | 1 | |
| 16 | 900 378 030 09 | hexagon-head bolt M 6X20 | | 3 | |
| 17 | 996 563 403 04 | catch | /L | 1 | |

| | | | | | | | | | | | |
|-------|------|----|----|--------------|--------------|--------|------|------------|---------|-----|---------|
| Model | Year | MG | SG | Illustration | Restrictions | Update | 7:46 | 28.08.2006 | PORSCHE | PET | PORSCHE |
| 997 | 07 | 8 | 11 | 811-16 | | 203 | | | | | |

| Pos | Part Number | Name | Remarks | Qty | Model | Pos | Part Number | Name | Remarks | Qty | Model |
|------|----------------|---|---------|-----|-------|-----|-------------|------|---------|-----|-------|
| (17) | 996 563 404 04 | catch | /R | 1 | | | | | | | |
| 18 | 996 561 653 04 | mounting | /L | 1 | | | | | | | |
| -- | 996 561 657 02 | insert | | 1 | | | | | | | |
| -- | 900 249 031 09 | countersunk-head screw | | 6 | | | | | | | |
| (18) | 996 561 654 04 | mounting | /R | 1 | | | | | | | |
| -- | 996 561 658 02 | insert | | 1 | | | | | | | |
| 19 | 996 563 027 01 | gasket | | 1 | | | | | | | |
| 20 | 996 563 413 01 | tool | | 1 | | | | | | | |
| 21 | 996 563 125 00 | thrust wedge | | 2 | | | | | | | |
| 22 | 999 507 923 40 | expander nut green | | 8 | | | | | | | |
| 23 | 999 507 924 40 | expander nut yellow | | 8 | | | | | | | |
| 24 | 999 450 008 09 | tapping screw | | 2 | | | | | | | |
| 25 | 999 073 049 02 | tapping screw | | 16 | | | | | | | |
| 26 | 996 563 421 01 | protective tab | | 2 | | | | | | | |
| -- | 999 507 659 40 | expander nut hardtop support for contact | /L | 1 | | | | | | | |
| -- | 999 507 662 40 | expander nut hardtop support for contact | /R | 1 | | | | | | | |
| 27 | 996 563 509 00 | support for lining see group 8/11/17 POS. 5 | /L | 1 | | | | | | | |
| (27) | 996 563 510 00 | support for lining see group 8/11/17 POS. 5 | /R | 1 | | | | | | | |
| | | - - - E N D - - - | | | | | | | | | |

| | | | | | | | | | | | |
|-------|------|----|----|--------------|--------------|--------|------|------------|---------|-----|---------|
| Model | Year | MG | SG | Illustration | Restrictions | Update | 7:46 | 28.08.2006 | PORSCHE | PET | PORSCHE |
| 997 | 07 | 8 | 11 | 811-17 | | 203 | | | | | |

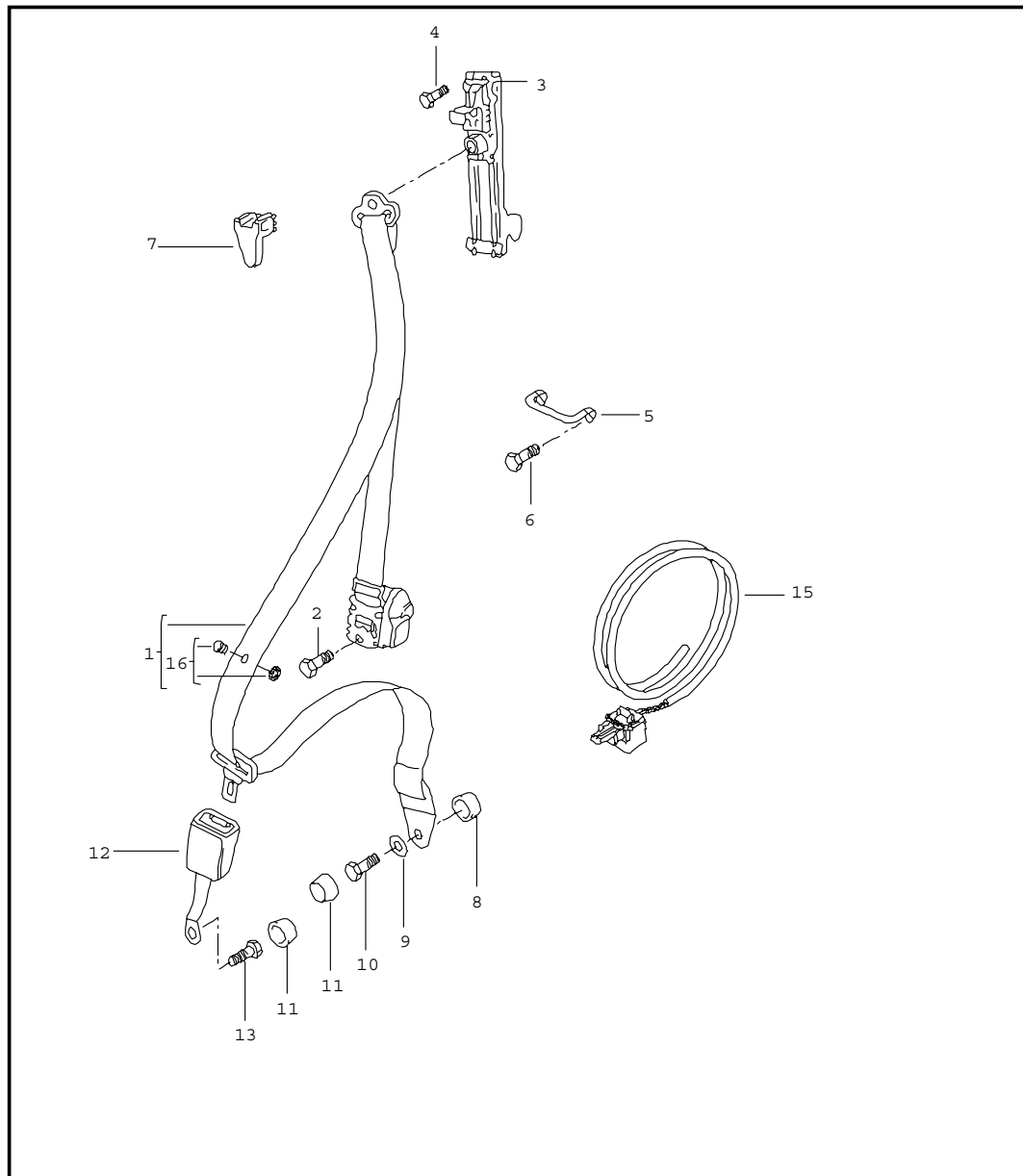


| Pos | Part Number | Name | Remarks | Qty | Model |
|-----|----------------|---------------------------|---------|-----|-------|
| | | hardtop sound absorber | | | I550 |
| 1 | 996 563 523 00 | sound absorber | | 1 | |
| 2 | 996 563 111 00 | inner lining | | 1 | |
| | A20 | black | | | |
| 3 | 996 563 551 00 | trim | | 1 | |
| | 01C | black | | | |
| 4 | 997 563 501 00 | lining leatherette | | 1 | |
| | 1MZ | black | | | |
| | 1TK | sand beige | | | |
| | 1UL | palmgreen | | | |
| | 1VM | sea blue | | | |
| | 1YP | stone grey | | | |
| 5 | 997 563 503 00 | lining leatherette | /L | 1 | |
| | 1MZ | black | | | |
| | 1TK | sand beige | | | |
| | 1UL | palmgreen | | | |
| | 1VM | sea blue | | | |
| | 1YP | stone grey | | | |
| (5) | 997 563 504 00 | lining leatherette | /R | 1 | |
| | 1MZ | black | | | |
| | 1TK | sand beige | | | |
| | 1UL | palmgreen | | | |
| | 1VM | sea blue | | | |
| | 1YP | stone grey | | | |
| 6 | 996 563 505 00 | lining | | 1 | |
| | A07 | black | | | |
| | B07 | space grey | | | |

| | | | | | | | | | | | |
|-------|------|----|----|--------------|--------------|--------|------|------------|---------|-----|---------|
| Model | Year | MG | SG | Illustration | Restrictions | Update | | | | | |
| 997 | 07 | 8 | 11 | 811-17 | | 203 | 7:46 | 28.08.2006 | PORSCHE | PET | PORSCHE |

| Pos | Part Number | Name | Remarks | Qty | Model | Pos | Part Number | Name | Remarks | Qty | Model |
|-----|----------------|--------------------------------|---------|-----|-------|-----|-------------|------|---------|-----|-------|
| | | C07 graphite grey | | | | | | | | | |
| | | G07 metropole blue | | | | | | | | | |
| 7 | 996 563 554 00 | lining | /R | 1 | | | | | | | |
| | | A10 black | | | | | | | | | |
| | | B50 space grey | | | | | | | | | |
| | | C50 graphite grey | | | | | | | | | |
| | | G10 metropole blue | | | | | | | | | |
| 8 | 996 563 553 00 | lining | /L | 1 | | | | | | | |
| | | A10 black | | | | | | | | | |
| | | B50 space grey | | | | | | | | | |
| | | C50 graphite grey | | | | | | | | | |
| | | G10 metropole blue | | | | | | | | | |
| 9 | 996 555 457 00 | cover | | 2 | | | | | | | |
| | | A10 black | | | | | | | | | |
| | | C50 graphite grey | | | | | | | | | |
| | | G10 metropole blue | | | | | | | | | |
| | | B50 space grey | | | | | | | | | |
| 10 | 999 507 764 40 | clip | | X | | | | | | | |
| 11 | 996 563 413 01 | tool | | 1 | | | | | | | |
| 12 | 996 563 561 00 | rubber stop | | 2 | | | | | | | |
| | | 01C black for sun visors | | | | | | | | | |
| 13 | 999 507 764 40 | clip | | X | | | | | | | |
| 15 | 900 151 027 02 | washer | | 2 | | | | | | | |
| 16 | 900 143 046 02 | tapping screw | | 2 | | | | | | | |
| | | - - - E N D - - - | | | | | | | | | |

| | | | | | | | | | | | |
|-------|------|----|----|--------------|--------------|--------|------|------------|---------|-----|---------|
| Model | Year | MG | SG | Illustration | Restrictions | Update | 7:47 | 28.08.2006 | PORSCHE | PET | PORSCHE |
| 997 | 07 | 8 | 12 | 812-00 | | 203 | | | | | |

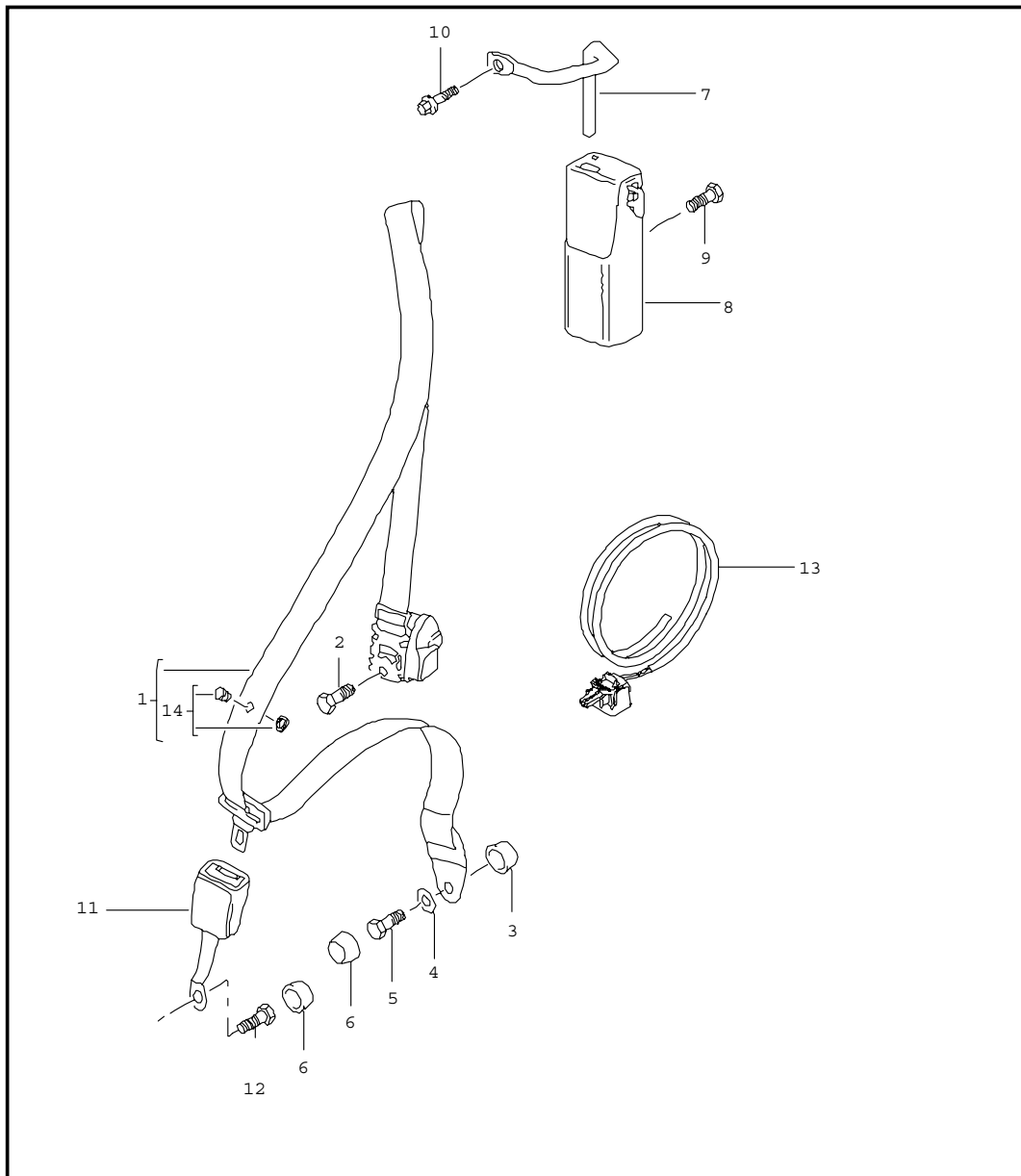


| Pos | Part Number | Name | Remarks | Qty | Model |
|-----|----------------|-------------------|---------|-----|-------|
| | | seat belt front | | | COUPE |
| 1 | 997 803 033 00 | seat belt | /L -05 | 1 | |
| | A23 | black | | | |
| 1 | 997 803 033 02 | seat belt | /L 06- | 1 | |
| | A23 | black | | | |
| (1) | 997 803 034 00 | seat belt | /R -05 | 1 | |
| | A23 | black | | | |
| (1) | 997 803 034 04 | seat belt | /R 06- | 1 | |
| | A23 | black | | | |
| 1 | 997 803 033 00 | seat belt | /L -05 | 1 | |
| | N13 | guards red | | | |
| | U01 | silver | | | |
| | V02 | speed yellow | | | |
| 1 | 997 803 033 02 | seat belt | /L 06- | 1 | |
| | N13 | guards red | | | |
| | U01 | silver | | | |
| | V02 | speed yellow | | | |
| (1) | 997 803 034 00 | seat belt | /R -05 | 1 | |
| | N13 | guards red | | | |
| | U01 | silver | | | |
| | V02 | speed yellow | | | |
| (1) | 997 803 034 04 | seat belt | /R 06- | 1 | |
| | N13 | guards red | | | |
| | U01 | silver | | | |
| | V02 | speed yellow | | | |
| 2 | 999 075 070 09 | fastening screw | | 2 | |
| 3 | 997 803 231 00 | height adjustment | | 2 | |
| 4 | 900 067 131 02 | pan-head screw | | 2 | |
| 5 | 996 803 825 01 | relay lever | | 2 | |

| | | | | | | | | | | | |
|-------|------|----|----|--------------|--------------|--------|------|------------|---------|-----|---------|
| Model | Year | MG | SG | Illustration | Restrictions | Update | | | | | |
| 997 | 07 | 8 | 12 | 812-00 | | 203 | 7:47 | 28.08.2006 | PORSCHE | PET | PORSCHE |

| Pos | Part Number | Name | Remarks | Qty | Model | Pos | Part Number | Name | Remarks | Qty | Model |
|------|----------------|---|---------|-----|-------|-----|-------------|------|---------|-----|-------|
| 6 | 900 378 036 09 | hexagon-head bolt | | 4 | | | | | | | |
| -- | 999 028 021 01 | spring washer B 14,2 | | 2 | | | | | | | |
| 7 | 997 803 521 00 | cover | | 2 | | | | | | | |
| | A03 | black | | | | | | | | | |
| 8 | 999 924 064 02 | spacer sleeve | | 2 | | | | | | | |
| 9 | 211 857 771 | washer | | 2 | | | | | | | |
| 10 | 999 075 073 09 | screw | | 2 | | | | | | | |
| 11 | 811 857 845 | cap | | 2 | | | | | | | |
| | 01C | black | | | | | | | | | |
| 12 | 996 803 183 08 | seat-belt buckle passenger's side | | 1 | | | | | | | |
| (12) | 997 803 183 01 | seat-belt buckle driver's side | | 1 | | | | | | | |
| 13 | 999 218 101 02 | fastening screw | | 2 | | | | | | | |
| 15 | --- --- --- -- | cable for seat-belt tensioner see group 9/02/10 | | X | | | | | | | |
| 16 | 955 803 056 00 | knob | | 2 | | | | | | | |
| | HCP | black | | | | | | | | | |
| 17 | 997 803 334 00 | clamping piece | | 2 | | | | | | | |
| | 01C | black | | | | | | | | | |
| | | - - - E N D - - - | | | | | | | | | |

| | | | | | | | | | | |
|-------|------|----|----|--------------|--------------|--------|------|------------|---------|---------|
| Model | Year | MG | SG | Illustration | Restrictions | Update | | | | |
| 997 | 07 | 8 | 12 | 812-01 | | 203 | 7:47 | 28.08.2006 | PORSCHE | PET |
| | | | | | | | | | PORSCHE | PORSCHE |

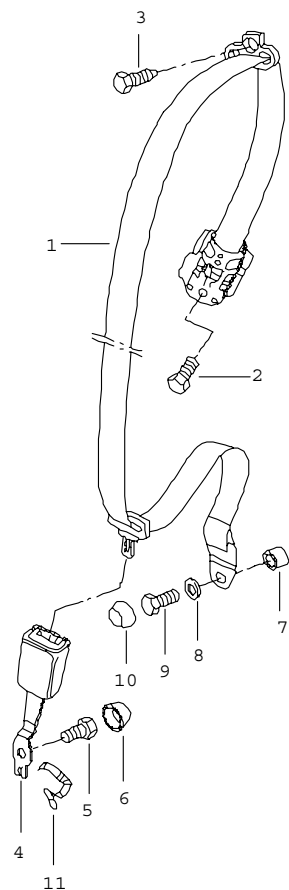


| Pos | Part Number | Name | Remarks | Qty | Model |
|-----|----------------|-----------------|---------|-----|--------|
| | | seat belt front | | | CABRIO |
| 1 | 997 803 033 01 | seat belt | /L -05 | 1 | |
| | A23 | black | | | |
| | N13 | guards red | | | |
| | V02 | speed yellow | | | |
| | U01 | silver | | | |
| 1 | 997 803 033 03 | seat belt | /L 06- | 1 | |
| | A23 | black | | | |
| | N13 | guards red | | | |
| | V02 | speed yellow | | | |
| | U01 | silver | | | |
| (1) | 997 803 034 01 | seat belt | /R -05 | 1 | |
| | A23 | black | | | |
| | N13 | guards red | | | |
| | V02 | speed yellow | | | |
| | U01 | silver | | | |
| (1) | 997 803 034 05 | seat belt | /R 06- | 1 | |
| | A23 | black | | | |
| | N13 | guards red | | | |
| | V02 | speed yellow | | | |
| | U01 | silver | | | |
| 2 | 999 075 070 09 | fastening screw | | 2 | |
| 3 | 999 924 064 02 | spacer sleeve | | 2 | |
| 4 | 211 857 771 | washer | | 2 | |
| 5 | 999 075 073 09 | fastening screw | | 2 | |
| 6 | 811 857 845 | cap | | 2 | |
| 7 | 996 803 815 00 | reverse lever | /L | 1 | |
| 7 | 996 803 816 00 | reverse lever | /R | 1 | |
| 8 | 996 803 581 00 | mounting | /L | 1 | |

| | | | | | | | | | | | |
|-------|------|----|----|--------------|--------------|--------|------|------------|---------|-----|---------|
| Model | Year | MG | SG | Illustration | Restrictions | Update | | | | | |
| 997 | 07 | 8 | 12 | 812-01 | | 203 | 7:47 | 28.08.2006 | PORSCHE | PET | PORSCHE |

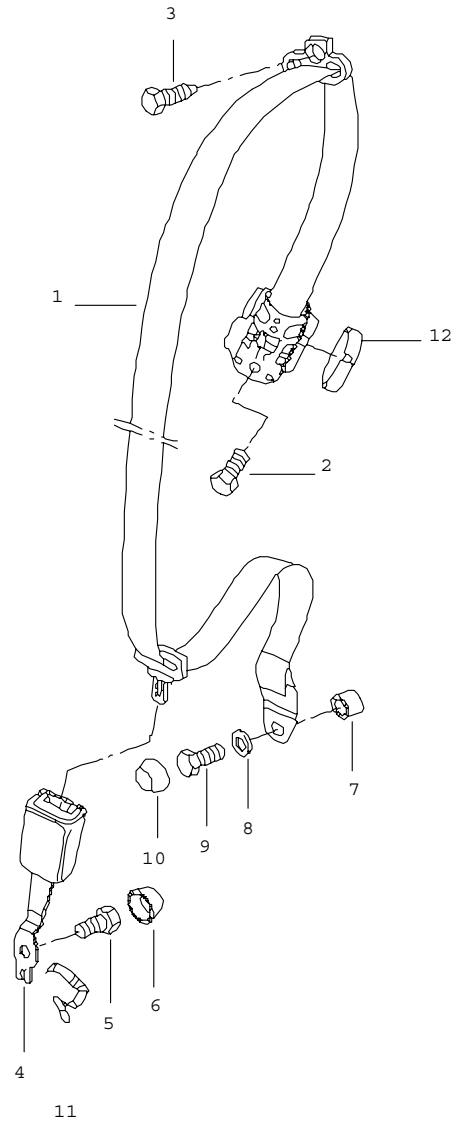
| Pos | Part Number | Name | Remarks | Qty | Model | Pos | Part Number | Name | Remarks | Qty | Model |
|------|----------------|---|---------|--------|-------|-----|-------------|------|---------|-----|-------|
| 8 | 996 803 582 00 | mounting | /R | 1 | | | | | | | |
| 10 | 900 378 017 09 | fastening screw seat-belt buckle driver's side | | 2 2 | | | | | | | |
| 11 | 996 803 183 08 | seat-belt buckle passenger's side | | 1 | | | | | | | |
| (11) | 997 803 183 01 | seat-belt buckle driver's side | | 1 | | | | | | | |
| 12 | 999 218 101 02 | fastening screw | | 2 | | | | | | | |
| 13 | --- --- --- -- | cable for seat-belt tensioner see group 9/02/10 | | X | | | | | | | |
| 14 | 955 803 056 00 | knob | | 2 | | | | | | | |
| | HCP | black | | | | | | | | | |
| 15 | 997 803 334 00 | clamping piece | | 2 | | | | | | | |
| | 01C | black | | | | | | | | | |
| | | - - - E N D - - - | | | | | | | | | |

| | | | | | | | | | | | |
|-------|------|----|----|--------------|--------------|--------|------|------------|---------|-----|---------|
| Model | Year | MG | SG | Illustration | Restrictions | Update | 7:47 | 28.08.2006 | PORSCHE | PET | PORSCHE |
| 997 | 07 | 8 | 12 | 812-05 | | 203 | | | | | |



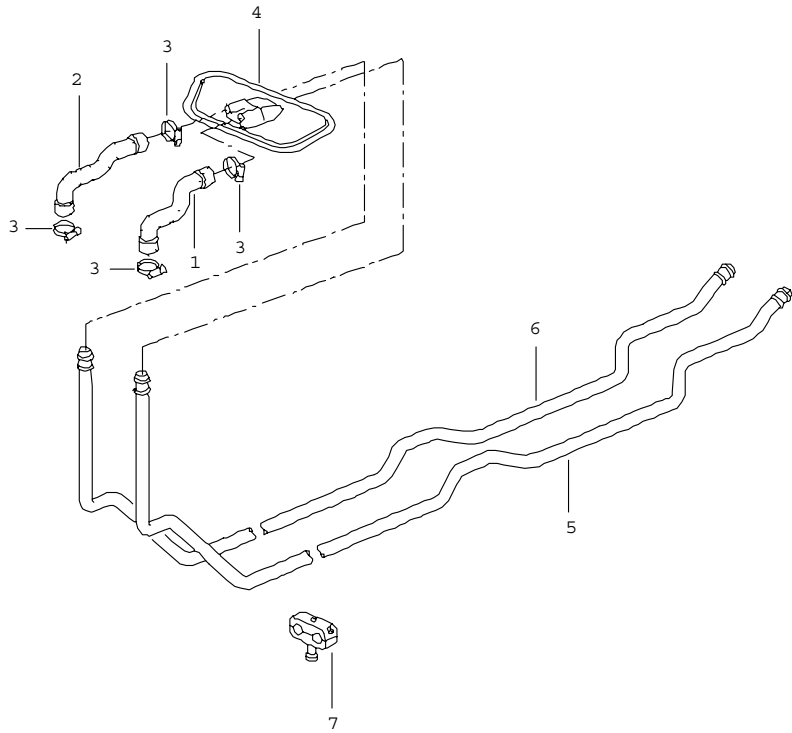
| Pos | Part Number | Name | Remarks | Qty | Model |
|-------------------|----------------|------------------|---------|-----|-------|
| | | seat belt rear | | | COUPE |
| 1 | 997 803 035 02 | seat belt | /L | 1 | |
| | V02 | speed yellow | | | |
| | N13 | guards red | | | |
| | U01 | silver | | | |
| | A23 | black | | | |
| (1) | 997 803 036 02 | seat belt | /R | 1 | |
| | V02 | speed yellow | | | |
| | N13 | guards red | | | |
| | U01 | silver | | | |
| | A23 | black | | | |
| 2 | 999 075 070 09 | fastening screw | | 2 | |
| 3 | 999 075 057 09 | fastening screw | | 2 | |
| 4 | 996 803 165 01 | seat-belt buckle | /L | 1 | |
| (4) | 996 803 166 01 | seat-belt buckle | /R | 1 | |
| 5 | 999 075 070 09 | fastening screw | | 2 | |
| 6 | 811 857 845 | cap | | 2 | |
| 7 | 999 924 064 02 | spacer sleeve | | 2 | |
| 8 | 211 857 771 | washer | | 2 | |
| 9 | 999 075 073 09 | screw | | 2 | |
| 10 | 811 857 845 | cap | | 2 | I193 |
| 11 | 996 551 745 00 | clamp | /L | 2 | |
| (11) | 996 551 746 00 | clamp | /R | 2 | |
| - - - E N D - - - | | | | | |

| | | | | | | | | | | | |
|-------|------|----|----|--------------|--------------|--------|------|------------|---------|-----|---------|
| Model | Year | MG | SG | Illustration | Restrictions | Update | 7:47 | 28.08.2006 | PORSCHE | PET | PORSCHE |
| 997 | 07 | 8 | 12 | 812-06 | | 203 | | | | | |



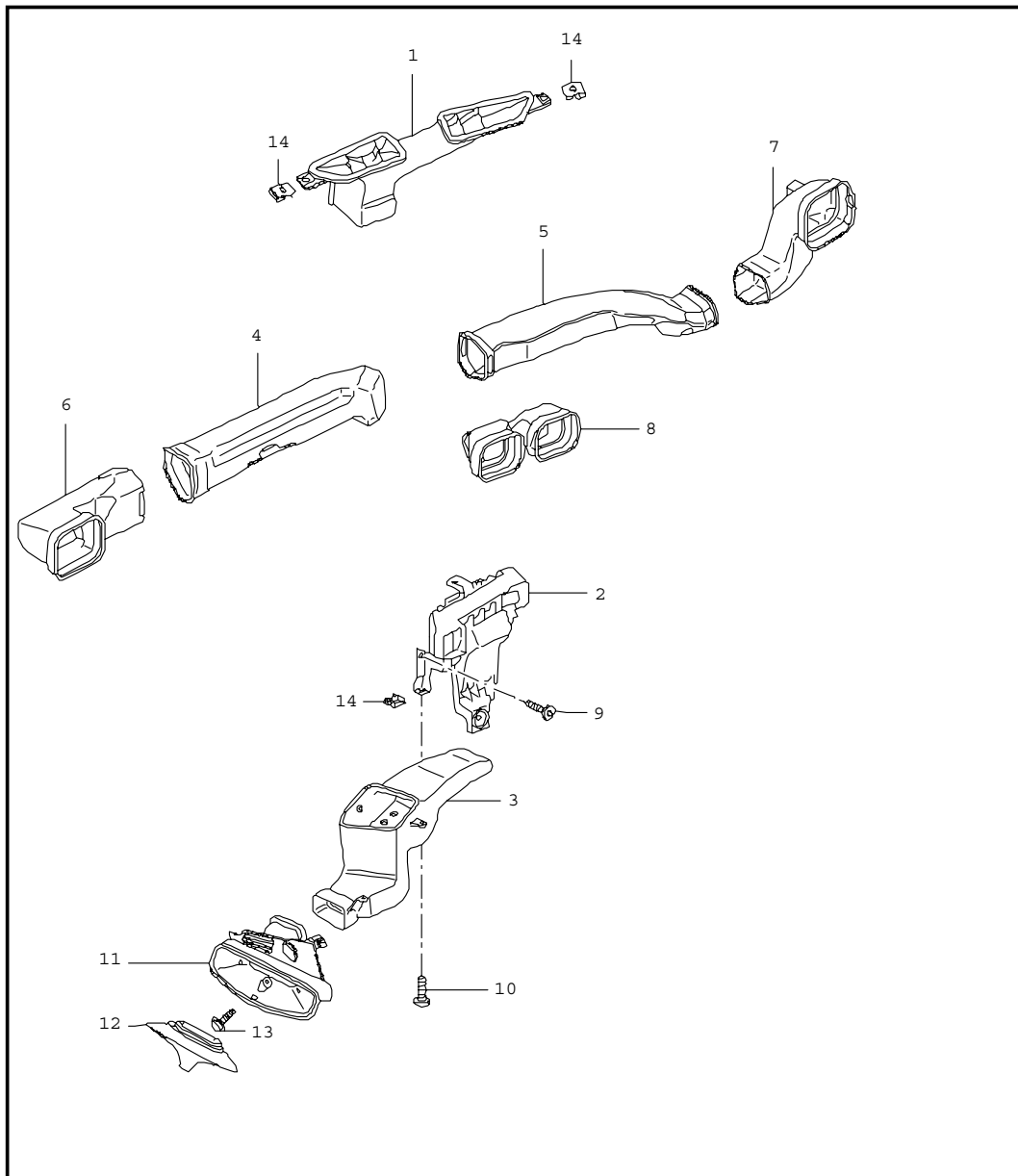
| Pos | Part Number | Name | Remarks | Qty | Model |
|-----|----------------|-------------------|---------|-----|--------|
| | | seat belt rear | | | CABRIO |
| 1 | 997 803 035 00 | seat belt | /L | 1 | |
| | V02 | speed yellow | | | |
| | N13 | guards red | | | |
| | U01 | silver | | | |
| | A23 | black | | | |
| (1) | 997 803 036 00 | seat belt | /R | 1 | |
| | V02 | speed yellow | | | |
| | N13 | guards red | | | |
| | U01 | silver | | | |
| | A23 | black | | | |
| 2 | 999 075 070 09 | fastening screw | | 2 | |
| 3 | 999 075 057 09 | fastening screw | | 2 | |
| 4 | 996 803 165 01 | seat-belt buckle | /L | 1 | |
| (4) | 996 803 166 01 | seat-belt buckle | /R | 1 | |
| 5 | 999 075 070 09 | fastening screw | | 2 | |
| 6 | 811 857 845 | cap | | 2 | |
| 7 | 999 924 064 02 | spacer sleeve | | 2 | |
| 8 | 211 857 771 | washer | | 2 | |
| 9 | 999 075 073 09 | fastening screw | | 2 | |
| 10 | 811 857 845 | cap | | 2 | |
| | 01C | black | | | |
| 11 | 996 551 745 00 | clamp | | 2 | |
| | | - - - E N D - - - | | | |

| | | | | | | | | | | | |
|-------|------|----|----|--------------|--------------|--------|------|------------|---------|-----|---------|
| Model | Year | MG | SG | Illustration | Restrictions | Update | 7:48 | 28.08.2006 | PORSCHE | PET | PORSCHE |
| 997 | 07 | 8 | 13 | 813-00 | | 203 | | | | | |



| Pos | Part Number | Name | Remarks | Qty | Model |
|-------------------|----------------|--|---------|-----|-------|
| | | heating system 1 feed line return line | | | |
| 1 | 996 572 583 04 | heater hose | /LL | 1 | |
| (1) | 996 572 583 05 | heater hose | /RL | 1 | |
| 2 | 996 572 585 04 | heater hose | /LL | 1 | |
| (2) | 996 572 585 05 | heater hose | /RL | 1 | |
| 3 | 999 512 603 09 | hose clamp | | 4 | |
| 4 | 996 572 263 02 | gasket | /LL | 1 | |
| (4) | 996 572 263 03 | gasket | /RL | 1 | |
| 5 | 997 572 681 00 | heater pipeline supply | | 1 | |
| 6 | 997 572 683 00 | heater pipeline return | | 1 | |
| -- | 996 572 785 00 | connection piece | | X | |
| 7 | 999 511 230 40 | cable holder | | 4 | |
| -- | 999 511 232 41 | rubber mounting 19/19 | | 4 | |
| - - - E N D - - - | | | | | |

| | | | | | | | | | | | |
|-------|------|----|----|--------------|--------------|--------|------|------------|---------|-----|---------|
| Model | Year | MG | SG | Illustration | Restrictions | Update | 7:48 | 28.08.2006 | PORSCHE | PET | PORSCHE |
| 997 | 07 | 8 | 13 | 813-01 | | 203 | | | | | |



| Pos | Part Number | Name | Remarks | Qty | Model |
|-----|----------------|---------------------------------------|---------|-----|------------------|
| | | air distributor passenger compartment | | | |
| 1 | 997 572 631 00 | defroster vent | /LL | 1 | I098 |
| (1) | 997 572 631 01 | defroster vent | /RL | 1 | I099 |
| 2 | 997 572 171 00 | air distributor | /LL | 1 | I098 |
| (2) | 997 572 171 01 | air distributor | /RL | 1 | I099 |
| 3 | 997 572 793 00 | footwell outlet vent | /LL | 1 | I098 |
| (3) | 997 572 793 02 | footwell outlet vent | /LL | 1 | I098/680 |
| (3) | 997 572 793 01 | footwell outlet vent | /RL | 1 | I099 |
| (3) | 997 572 793 03 | footwell outlet vent | /RL | 1 | I099/680 |
| 4 | 997 572 463 01 | air duct | /LL /L | 1 | I098 |
| (4) | 997 572 463 00 | air duct | /RL /L | 1 | I099 |
| 5 | 997 572 464 00 | air duct | /LL /R | 1 | I098 |
| (5) | 997 572 464 01 | air duct | /RL /R | 1 | I099 |
| 6 | 997 572 767 00 | air duct | /LL /L | 1 | I098 |
| (6) | 997 572 767 01 | air duct | /RL /L | 1 | I099 |
| 7 | 997 572 768 00 | air duct | /RL /R | 1 | I098 |
| (7) | 997 572 768 01 | air duct | /LL /R | 1 | I099 |
| 8 | 997 572 769 00 | air duct | | 1 | |
| (8) | 997 572 769 01 | air duct | | 1 | |
| 9 | 999 919 118 09 | oval-head screw | | 2 | |
| 10 | 999 073 339 09 | tapping screw | | 2 | |
| 11 | 997 572 396 00 | cover | /LL 05 | 1 | CABRIO I098/I680 |
| | | 01C | | | |
| 11 | 997 572 396 02 | cover | /LL 06- | 1 | CABRIO I098/I680 |
| | | 01C | | | |
| 11 | 997 572 395 00 | cover | /RL 05 | 1 | CABRIO I099/I680 |
| | | 01C | | | |

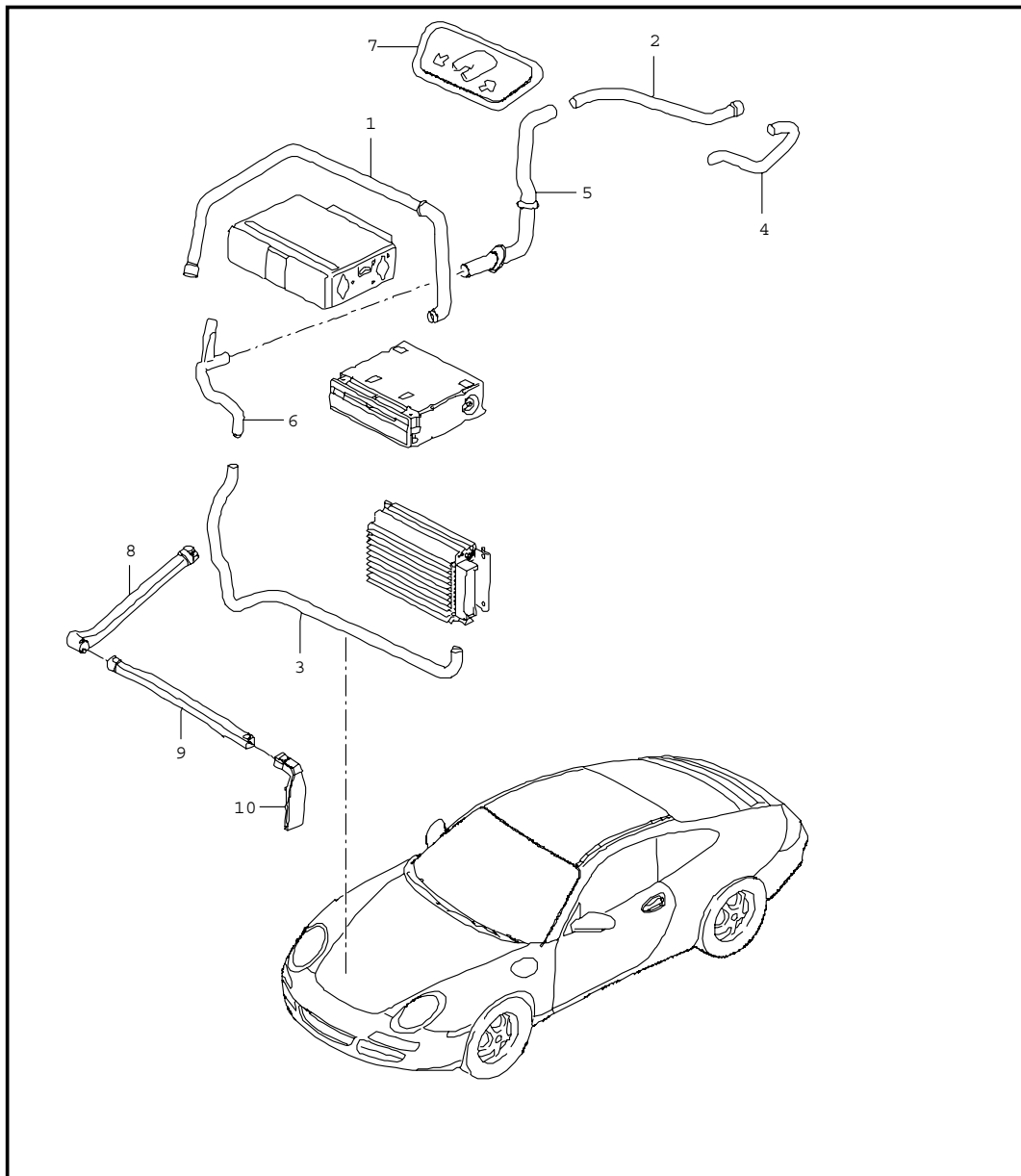
| | | | | | | | | | | | |
|-------|------|----|----|--------------|--------------|--------|------|------------|---------|-----|---------|
| Model | Year | MG | SG | Illustration | Restrictions | Update | 7:48 | 28.08.2006 | PORSCHE | PET | PORSCHE |
| 997 | 07 | 8 | 13 | 813-01 | | 203 | | | | | |

| Pos | Part Number | Name | Remarks | Qty | Model | Pos | Part Number | Name | Remarks | Qty | Model |
|-----|----------------|---------------|---------|-----|----------------------|-----|----------------|---------------|---------|-----|----------------------|
| 11 | 997 572 395 02 | cover | /RL 06- | 1 | CABRIO I099/ I680 | 11 | 997 572 395 03 | cover | /RL 06- | 1 | CABRIO I099/ I680 |
| | 01C | satin black | | | | | | lacquered | | | |
| 11 | 997 572 396 01 | cover | /LL 05 | 1 | CABRIO I098/ I680 | | 5V7 | stone grey | | | |
| | | lacquered | | | | | 5Y2 | palmgreen | | | |
| | 5V7 | stone grey | | | | | 5Z1 | sand beige | | | |
| | 5Y2 | palmgreen | | | | | 8P9 | cocoa | | | |
| | 5Z1 | sand beige | | | | | 8W7 | sea blue | | | |
| | 8P9 | cocoa | | | | | 8X8 | terracotta | | | |
| | 8W7 | sea blue | | | | | T13 | brown/natural | | | |
| | 8X8 | terracotta | | | | 12 | 997 572 798 02 | cover | /LL | 1 | CABRIO I098/ I680 |
| | T13 | brown/natural | | | | | 01C | satin black | | | |
| 11 | 997 572 396 03 | cover | /LL 06- | 1 | CABRIO I098/ I680 | 12 | 997 572 797 02 | cover | /RL | 1 | CABRIO I099/ I680 |
| | | lacquered | | | | | 01C | satin black | | | |
| | 5V7 | stone grey | | | | 12 | 997 572 798 03 | cover | /LL | 1 | CABRIO I098/ I680 |
| | 5Y2 | palmgreen | | | | | | lacquered | | | |
| | 5Z1 | sand beige | | | | | 5V7 | stone grey | | | |
| | 8P9 | cocoa | | | | | 5Y2 | palmgreen | | | |
| | 8W7 | sea blue | | | | | 5Z1 | sand beige | | | |
| | 8X8 | terracotta | | | | | 8P9 | cocoa | | | |
| | T13 | brown/natural | | | | | 8W7 | sea blue | | | |
| 11 | 997 572 395 01 | cover | /RL 05 | 1 | CABRIO I099/ I680 | | 8X8 | terracotta | | | |
| | | lacquered | | | | | T13 | brown/natural | | | |
| | 5V7 | stone grey | | | | 12 | 997 572 797 03 | cover | /RL | 1 | CABRIO I099/ I680 |
| | 5Y2 | palmgreen | | | | | | lacquered | | | |
| | 5Z1 | sand beige | | | | | 5V7 | stone grey | | | |
| | 8P9 | cocoa | | | | | 5Y2 | palmgreen | | | |
| | 8W7 | sea blue | | | | | 5Z1 | sand beige | | | |
| | 8X8 | terracotta | | | | | 8P9 | cocoa | | | |
| | T13 | brown/natural | | | | | | | | | |

| | | | | | | | | | | | |
|-------|------|----|----|--------------|--------------|--------|------|------------|---------|-----|---------|
| Model | Year | MG | SG | Illustration | Restrictions | Update | | | | | |
| 997 | 07 | 8 | 13 | 813-01 | | 203 | 7:48 | 28.08.2006 | PORSCHE | PET | PORSCHE |

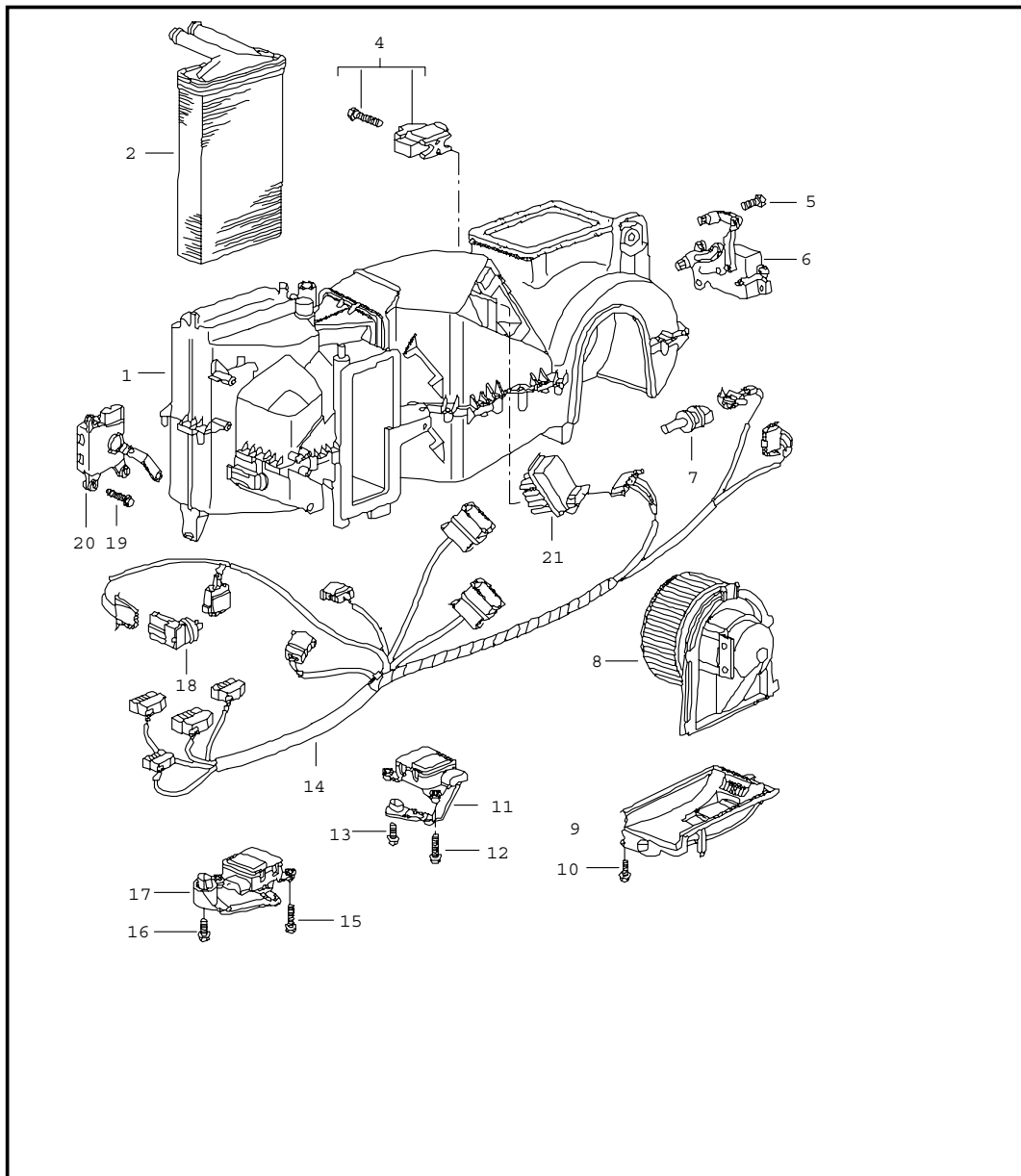
| Pos | Part Number | Name | Remarks | Qty | Model | Pos | Part Number | Name | Remarks | Qty | Model |
|-----|----------------|-----------------------------|---------|-----|-------------|-----|-------------|------|---------|-----|-------|
| | 8W7 | sea blue | | | | | | | | | |
| | 8X8 | terracotta | | | | | | | | | |
| | T13 | brown/natural | | | | | | | | | |
| 13 | 999 073 345 09 | lens-head screw M 5 x 18 | | 1 | CABRIO I680 | | | | | | |
| 14 | 999 507 785 02 | speed nut ST 4,2 | | 3 | | | | | | | |
| | | - - - E N D - - - | | | | | | | | | |

| | | | | | | | | | | | |
|-------|------|----|----|--------------|--------------|--------|------|------------|---------|-----|---------|
| Model | Year | MG | SG | Illustration | Restrictions | Update | 7:48 | 28.08.2006 | PORSCHE | PET | PORSCHE |
| 997 | 07 | 8 | 13 | 813-02 | | 203 | | | | | |



| Pos | Part Number | Name | Remarks | Qty | Model |
|-----|----------------|-----------------------------|---------|-----|----------------------|
| | | luggage compartment cooling | | | I575 |
| 1 | 997 572 588 00 | air duct dvd | | 1 | I072/215/670 |
| (1) | 997 572 588 01 | air duct dvd | | 1 | I664/670 |
| 2 | 997 572 582 00 | air duct plenum panel | | 1 | I072/215 I553/670 |
| 3 | 997 572 590 00 | air duct booster | | 1 | I072/215 I553/670 |
| 4 | 997 572 580 00 | air duct air conditioner | | 1 | I072/215 I553/670 |
| 5 | 997 572 584 03 | air duct bulkhead | | 1 | I072/215 I553/670 |
| 6 | 997 572 586 06 | air duct booster | | 1 | I072/215/670 |
| 7 | 997 572 263 00 | gasket | | 1 | |
| | | - - - E N D - - - | | | |

| | | | | | | | | | | | |
|-------|------|----|----|--------------|--------------|--------|------|------------|---------|-----|---------|
| Model | Year | MG | SG | Illustration | Restrictions | Update | 7:48 | 28.08.2006 | PORSCHE | PET | PORSCHE |
| 997 | 07 | 8 | 13 | 813-05 | | 203 | | | | | |

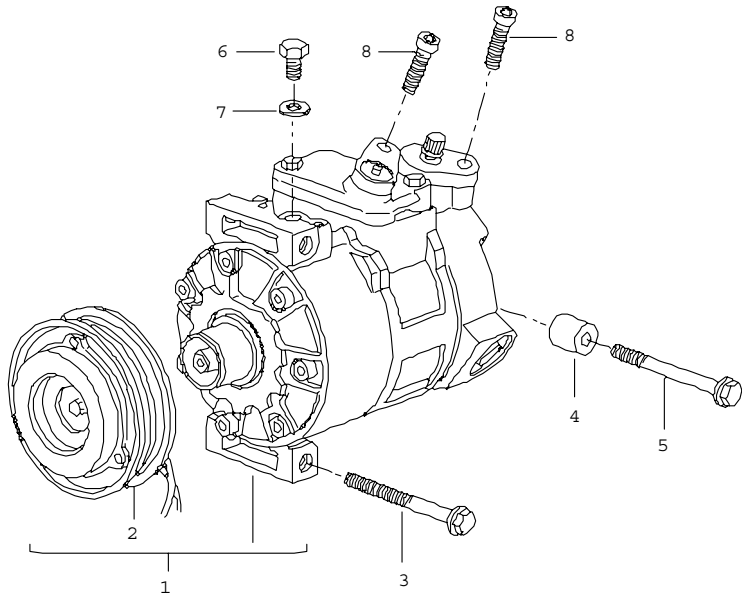


| Pos | Part Number | Name | Remarks | Qty | Model |
|------|----------------|--|---------|-----|-------|
| | | air conditioner single parts | | | I 573 |
| 1 | 997 573 901 00 | air conditioner | /LL | 1 | |
| 1 | 996 573 901 01 | air conditioner without heat exchanger with evaporator | /RL | 1 | |
| 2 | 996 572 129 00 | heat exchanger | | 1 | |
| 3 | 996 572 913 00 | gasket | | 1 | |
| 4 | 996 573 929 01 | expansion valve | | 1 | |
| 5 | 900 143 102 02 | tapping screw | | 2 | |
| 6 | 996 573 915 00 | electric motor central valve | /LL | 1 | |
| 6 | 996 573 915 01 | electric motor central valve | /RL | 1 | |
| 7 | 955 572 304 10 | temperature sensor | | 1 | |
| 8 | 996 624 107 01 | blower | /LL | 1 | |
| 8 | 996 624 108 01 | blower | /RL | 1 | |
| 9 | 996 573 905 00 | cover | | 1 | |
| 10 | 900 143 102 02 | hexagon-head bolt | | 1 | |
| 11 | 996 573 919 02 | electric motor temperature valve marked red | /LL | 1 | |
| 11 | 996 573 919 03 | electric motor temperature valve | /RL | 1 | |
| 12 | 900 143 102 02 | hexagon-head bolt | | 1 | |
| 13 | 900 143 102 02 | hexagon-head bolt | | 1 | |
| 14 | 997 612 655 02 | wiring harness | | 1 | |
| (14) | 997 612 656 02 | wiring harness | /RL 412 | 1 | I099 |
| 15 | 900 143 102 02 | hexagon-head bolt | | 1 | |
| 16 | 900 143 102 02 | hexagon-head bolt | | 1 | |
| 17 | 996 573 917 02 | electric motor defroster flap | /LL | 1 | |

| | | | | | | | | | | | |
|-------|------|----|----|--------------|--------------|--------|------|------------|---------|-----|---------|
| Model | Year | MG | SG | Illustration | Restrictions | Update | 7:48 | 28.08.2006 | PORSCHE | PET | PORSCHE |
| 997 | 07 | 8 | 13 | 813-05 | | 203 | | | | | |

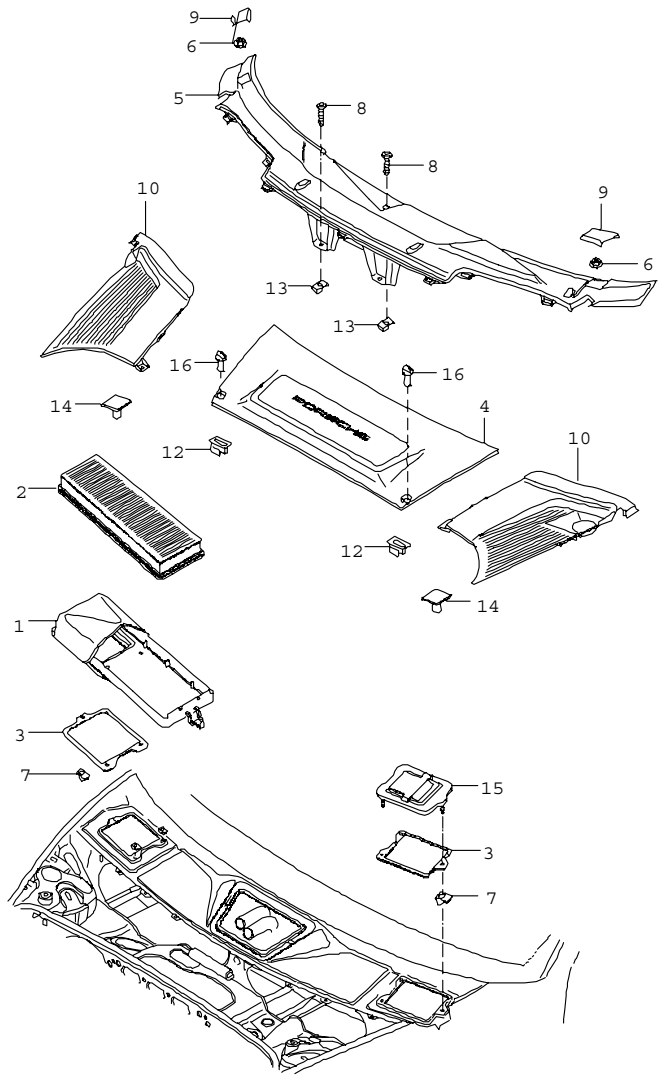
| Pos | Part Number | Name | Remarks | Qty | Model | Pos | Part Number | Name | Remarks | Qty | Model |
|------|----------------|--|---------|-----|-------|-----|-------------|------|---------|-----|-------|
| (17) | 996 573 917 03 | electric motor defroster flap | /RL | 1 | | | | | | | |
| 18 | 1H0 907 543 A | temperature sensor | | 1 | | | | | | | |
| 19 | 900 143 102 02 | hexagon-head bolt | | 1 | | | | | | | |
| 20 | 996 573 921 02 | electric motor air flow sensor plate | /LL | 1 | | | | | | | |
| (20) | 996 573 921 03 | electric motor air flow sensor plate marked black | /RL | 1 | | | | | | | |
| 21 | 996 573 923 00 | resistor | | 1 | | | | | | | |
| -- | 996 573 927 00 | blower outlet sensor | | 1 | | | | | | | |
| -- | 996 572 511 06 | sound absorber | /LL - | 1 | | | | | | | |
| -- | 996 572 511 07 | sound absorber | | 1 | | | | | | | |
| -- | 1H0 819 943 | screw | | 2 | | | | | | | |
| -- | 997 573 935 00 | plug | | 1 | | | | | | | |
| | | - - - E N D - - - | | | | | | | | | |

| | | | | | | | | | | | |
|-------|------|----|----|--------------|--------------|--------|------|------------|---------|-----|---------|
| Model | Year | MG | SG | Illustration | Restrictions | Update | 7:49 | 28.08.2006 | PORSCHE | PET | PORSCHE |
| 997 | 07 | 8 | 13 | 813-15 | | 203 | | | | | |



| Pos | Part Number | Name | Remarks | Qty | Model |
|-----|----------------|------------------------------|---------|-----|-------|
| | | compressor | | | |
| 1 | 996 126 011 52 | compressor | | 1 | |
| 2 | 996 573 926 00 | magnetic clutch | | 1 | |
| 3 | 900 378 075 09 | hexagon-head bolt M 8X90 | | 1 | |
| 4 | 996 126 102 53 | spacer sleeve | | 1 | |
| 5 | 900 378 136 09 | hexagon-head bolt M 8X120 | | 1 | |
| 6 | 996 573 926 01 | hexagon-head bolt | | 1 | |
| 7 | 996 573 926 02 | sealing ring | | 1 | |
| 8 | 900 067 252 02 | hexagon socket head bolt | | 2 | |
| | | - - - E N D - - - | | | |

| | | | | | | | | | | | |
|-------|------|----|----|--------------|--------------|--------|------|------------|---------|-----|---------|
| Model | Year | MG | SG | Illustration | Restrictions | Update | 7:49 | 28.08.2006 | PORSCHE | PET | PORSCHE |
| 997 | 07 | 8 | 13 | 813-20 | | 203 | | | | | |

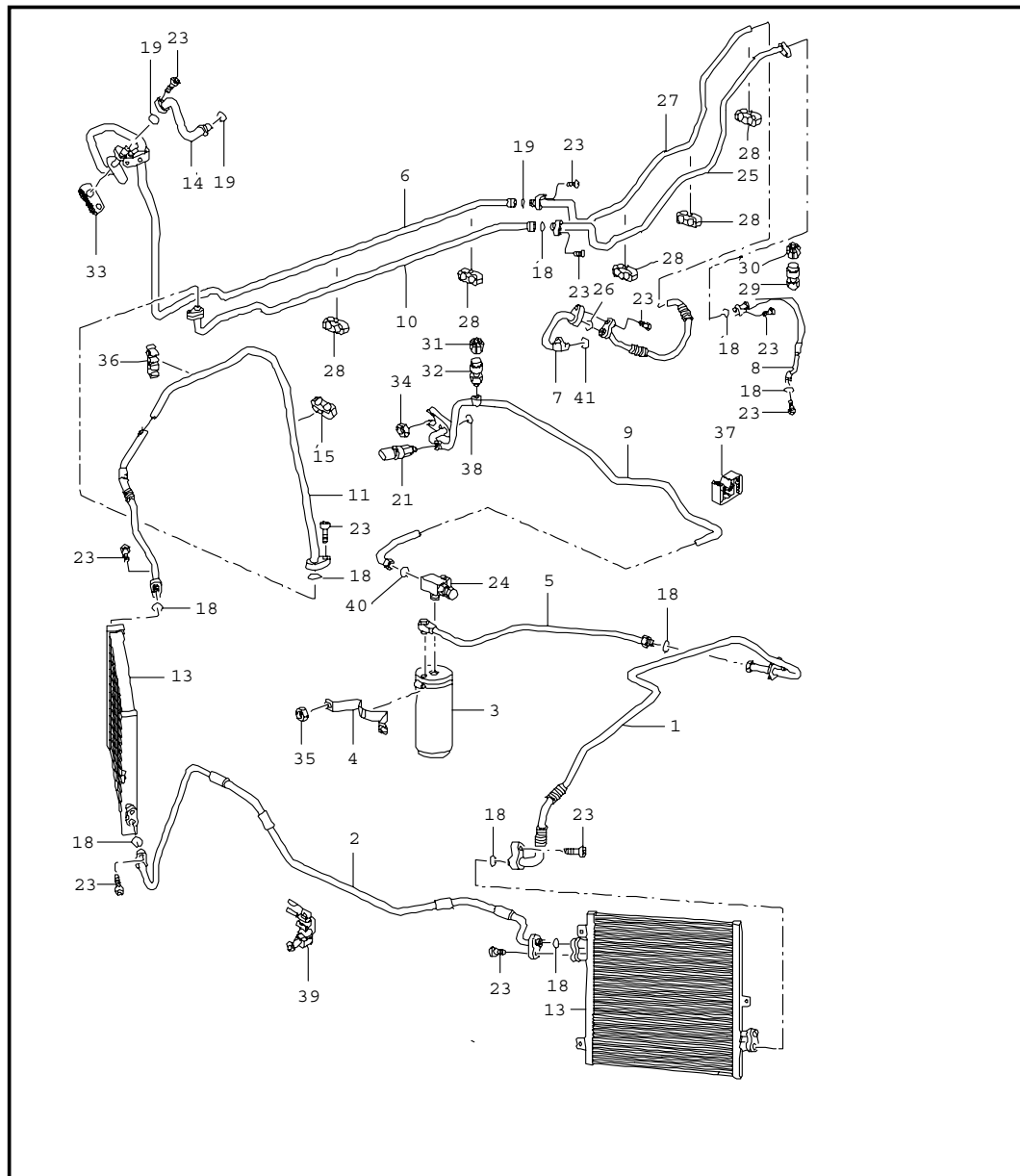


| Pos | Part Number | Name | Remarks | Qty | Model |
|-----|------------------|--|---------|-----|-------|
| | | particle filter cowl panel covering | | | |
| 1 | 997 572 019 02 | housing | /LL | 1 | |
| 1 | 997 572 019 03 | housing | /RL | 1 | |
| 2 | 997 571 219 00 | particle filter | | 1 | |
| 3 | 997 572 121 00 | gasket | | 1 | |
| 4 | 997 572 567 03 | cover | | 1 | |
| | FMT | black battery | | | |
| (4) | 997 572 729 02 | cover particle filter | /LL | 1 | |
| (4) | 997 572 729 02 | cover particle filter | /RL | 1 | |
| 5 | 997 572 563 06 | cover cowl | /LL | 1 | |
| | FMT | black | | | |
| 5 | 997 572 563 05 | cover cowl | /RL | 1 | |
| | FMT | black | | | |
| 6 | 999 076 071 02 | hexagon nut M6 | | 2 | |
| 7 | 999 591 722 02 | speed nut | | 3 | |
| 8 | N 906 487 02 | tapping screw | | 3 | |
| 9 | 997 572 569 04 | cap | /L | 2 | I098 |
| | FMT | black | | | |
| 9 | 997 572 569 05 | cap | /L | 2 | I099 |
| | FMT | black | | | |
| (9) | 997 572 570 04 | cap | /R | 1 | I098 |
| | FMT | black | | | |
| (9) | 997 572 570 05 | cap | /R | 1 | I099 |
| | FMT | black | | | |
| 10 | A 997 572 361 03 | cover | /L | 1 | |
| | 02A | black | | | |

| | | | | | | | | | | | |
|-------|------|----|----|--------------|--------------|--------|------|------------|---------|-----|---------|
| Model | Year | MG | SG | Illustration | Restrictions | Update | | | | | |
| 997 | 07 | 8 | 13 | 813-20 | | 203 | 7:49 | 28.08.2006 | PORSCHE | PET | PORSCHE |

| Pos | Part Number | Name | Remarks | Qty | Model | Pos | Part Number | Name | Remarks | Qty | Model |
|------|----------------|-------------------|---------|-----|-------|-----|-------------|------|---------|-----|-------|
| 10 | 997 572 361 04 | cover | /L | 1 | | | | | | | |
| | 02A | black | | | | | | | | | |
| (10) | 997 572 362 03 | cover | /R | 1 | | | | | | | |
| | 02A | black | | | | | | | | | |
| 11 | 999 590 045 40 | screw plug | | X | | | | | | | |
| 12 | 999 590 046 40 | disc cam | | 2 | | | | | | | |
| 13 | 999 500 092 00 | nut | | 2 | | | | | | | |
| 14 | 999 902 046 40 | catch | | 1 | | | | | | | |
| 15 | 996 572 719 01 | cover | | 2 | | | | | | | |
| 16 | 997 572 867 00 | locking bolt | | 2 | | | | | | | |
| | 02A | black | | | | | | | | | |
| -- | 997 572 763 00 | cover | | 1 | | | | | | | |
| | | - - - E N D - - - | | | | | | | | | |

| | | | | | | | | | | | |
|-------|------|----|----|--------------|--------------|--------|------|------------|---------|-----|---------|
| Model | Year | MG | SG | Illustration | Restrictions | Update | 7:49 | 28.08.2006 | PORSCHE | PET | PORSCHE |
| 997 | 07 | 8 | 13 | 813-25 | | 203 | | | | | |

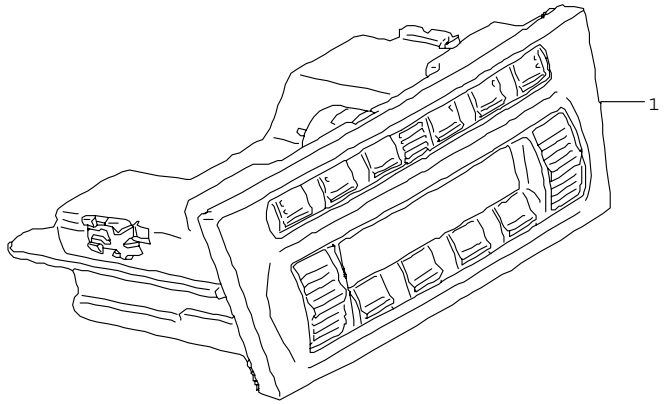


| Pos | Part Number | Name | Remarks | Qty | Model |
|-----|------------------|--|---------|-----|-------|
| | | refrigerant circuit | | | |
| 1 | 997 573 105 00 | refrigerant line | | 1 | |
| 2 | 997 573 103 00 | refrigerant line | | 1 | |
| 3 | 944 573 143 01 | desiccator | | 1 | |
| 4 | 996 573 451 00 | support | | 1 | |
| 5 | 996 573 106 00 | refrigerant line | | 1 | |
| 6 | 996 573 091 01 | refrigerant line | | 1 | |
| -- | 996 573 769 01 | grommet | | 1 | |
| 7 | 997 573 099 01 | refrigerant line | | 1 | |
| 8 | 997 573 096 00 | pressure line | | 1 | |
| 8 | 997 573 097 00 | pressure line | | 1 | |
| 9 | 997 573 108 02 | pressure line | /LL | 1 | |
| (9) | 997 573 108 01 | pressure line | /RL | 1 | |
| 10 | 996 573 092 02 | pressure line | | 1 | |
| 11 | 997 573 094 00 | refrigerant line | | 1 | |
| 12 | 996 347 543 00 | cable holder | | 2 | |
| 13 | 996 573 111 03 | condenser | | 2 | |
| 14 | 996 573 093 06 | intake pipe | /LL | 1 | |
| 14 | 996 573 093 07 | intake pipe | /RL | 1 | |
| 15 | P 996 347 543 00 | cable holder | | 2 | |
| 16 | 999 707 247 40 | o-ring 7,5X2 | | 2 | |
| 17 | 999 707 439 41 | o-ring 23,8X2,4 | | 8 | |
| 18 | 999 707 434 41 | o-ring 10,6X2 | | 8 | |
| 19 | 999 707 534 41 | o-ring 17X2 | | 3 | |
| 20 | 999 707 262 40 | o-ring 6,7X1,8 | | X | |
| 21 | 955 613 137 00 | pressure sensor when required order also: | | 1 | |

| | | | | | | | | | | | |
|-------|------|----|----|--------------|--------------|--------|------|------------|---------|-----|---------|
| Model | Year | MG | SG | Illustration | Restrictions | Update | 7:49 | 28.08.2006 | PORSCHE | PET | PORSCHE |
| 997 | 07 | 8 | 13 | 813-25 | | 203 | | | | | |

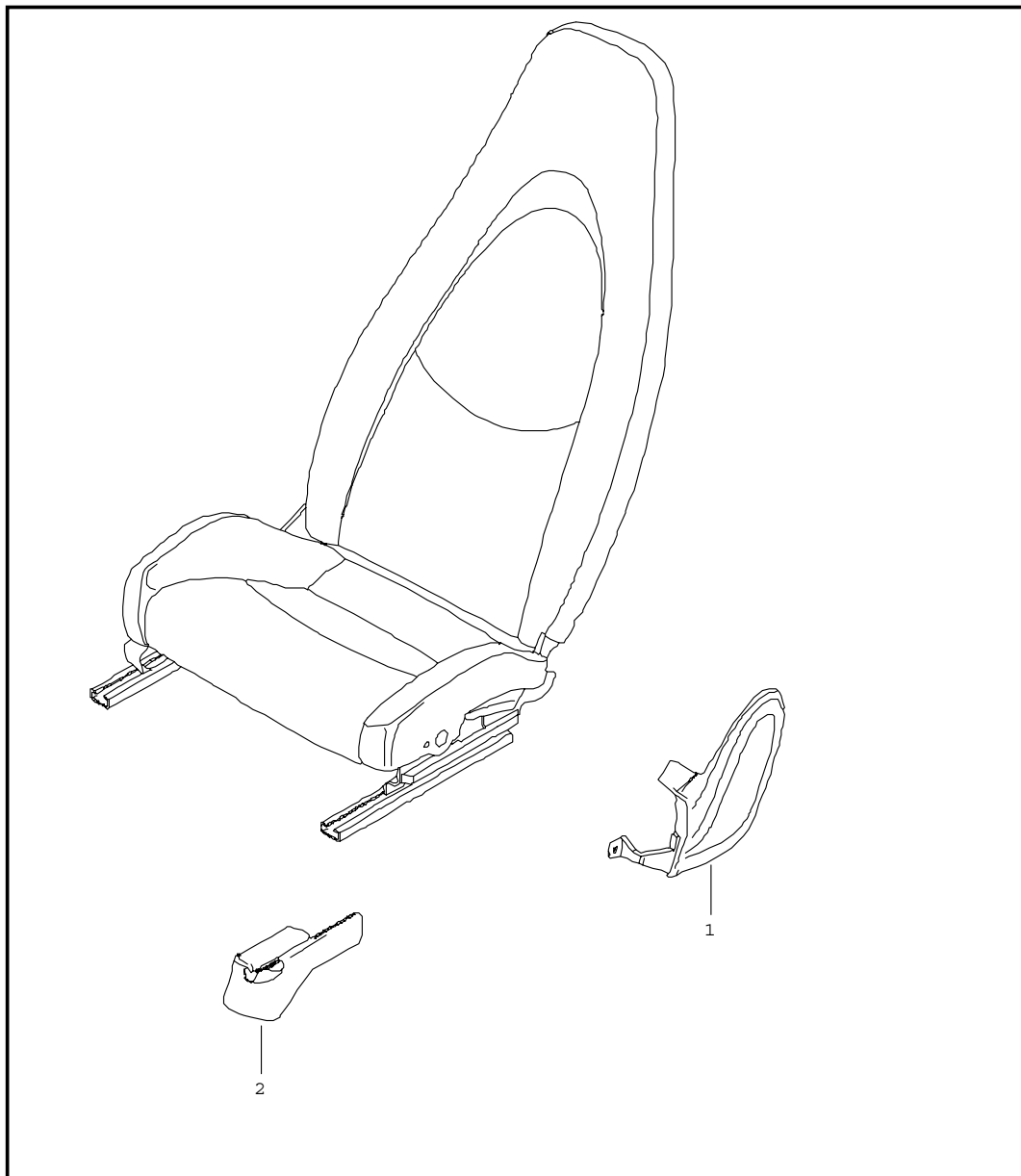
| Pos | Part Number | Name | Remarks | Qty | Model | Pos | Part Number | Name | Remarks | Qty | Model |
|-----|----------------|---------------------------|---------|-----|-------|-----|-------------|------|---------|-----|-------|
| - | 999 707 555 41 | o-ring 10,8 X 1,8 | | 1 | | | | | | | |
| 22 | 996 573 711 00 | cover strip | | 2 | | | | | | | |
| 23 | 900 067 019 03 | pan-head screw | | X | | | | | | | |
| 24 | 993 573 243 00 | distributing piece | -06 | 1 | | | | | | | |
| 25 | 997 573 096 01 | pressure line | | 1 | | | | | | | |
| 26 | 999 707 558 41 | o-ring 13,7x2,5 | | X | | | | | | | |
| 27 | 997 573 095 02 | intake pipe | | 1 | | | | | | | |
| 28 | 999 511 230 40 | cable holder use also: | | X | | | | | | | |
| -- | 999 511 231 41 | rubber mounting | | X | | | | | | | |
| 29 | 996 573 465 00 | valve | | 1 | | | | | | | |
| 30 | 944 573 663 01 | valve cap | | 1 | | | | | | | |
| 31 | 944 573 663 02 | valve cap | | 1 | | | | | | | |
| 32 | 996 573 465 00 | valve | | 1 | | | | | | | |
| 34 | 900 377 010 09 | hexagon nut M 6 | | 1 | | | | | | | |
| 35 | 900 380 015 09 | hexagon nut M6 | | 2 | | | | | | | |
| 36 | 996 355 547 01 | holder | | 1 | | | | | | | |
| 37 | 999 591 922 40 | cable holder | | 1 | | | | | | | |
| 38 | 999 707 531 41 | o-ring 7,5X2 | | 2 | | | | | | | |
| 39 | --- --- --- -- | cable holder | | 1 | | | | | | | |
| 40 | 999 707 434 41 | o-ring | | X | | | | | | | |
| 41 | 999 707 439 41 | o-ring | | X | | | | | | | |
| | | - - - E N D - - - | | | | | | | | | |

| | | | | | | | | | | | |
|-------|------|----|----|--------------|--------------|--------|------|------------|---------|-----|---------|
| Model | Year | MG | SG | Illustration | Restrictions | Update | 7:49 | 28.08.2006 | PORSCHE | PET | PORSCHE |
| 997 | 07 | 8 | 13 | 813-45 | | 203 | | | | | |



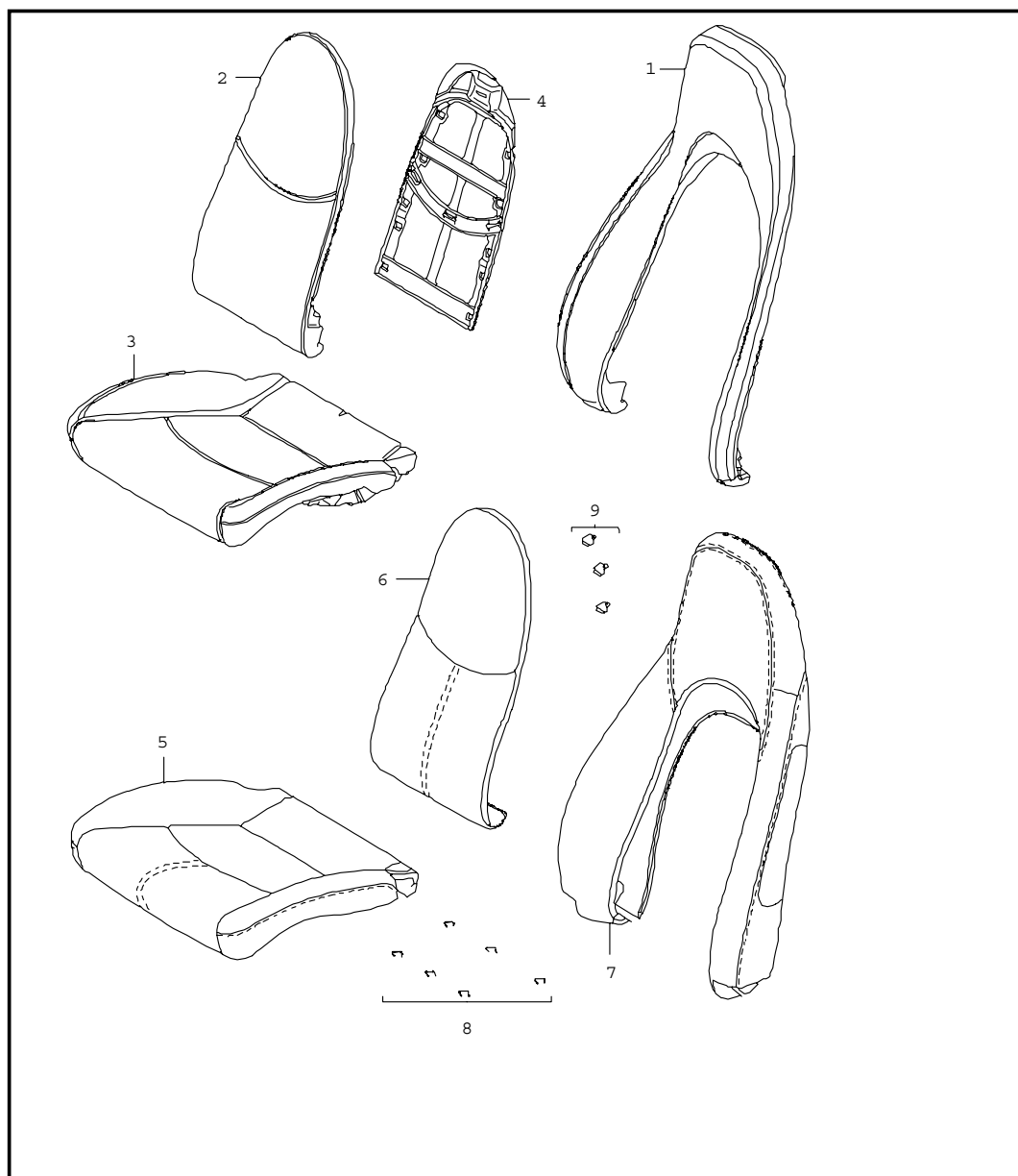
| Pos | Part Number | Name | Remarks | Qty | Model |
|-----|----------------|------------------------|---------|-----|----------|
| | | control switch | | | |
| 1 | 997 653 101 09 | control part | | 1 | I573 |
| | FMH | volcano grey/black mat | | | |
| 1 | 997 653 111 09 | control part | | 1 | I573/342 |
| | FMH | volcano grey/black mat | | | |
| | | - - - E N D - - - | | | |

| | | | | | | | | | | | |
|-------|------|----|----|--------------|--------------|--------|------|------------|---------|-----|---------|
| Model | Year | MG | SG | Illustration | Restrictions | Update | 7:49 | 28.08.2006 | PORSCHE | PET | PORSCHE |
| 997 | 07 | 8 | 17 | 817-00 | | 203 | | | | | |



| Pos | Part Number | Name | Remarks | Qty | Model |
|-------------------|----------------|---|------------|-----|-------------------------------------|
| | | front seat complete not available | 05- 07- | | CARRERA COUPE CABRIO TARGA |
| 1 | 997 521 315 02 | trim mounting component D07 volcano grey | /L | 1 | |
| (1) | 997 521 316 02 | trim mounting component D07 volcano grey | /R | 1 | |
| (1) | 997 521 316 03 | trim mounting component advancedairbag D07 volcano grey | /R 06- | 1 | I370/376 I378/438/560 |
| 2 | 997 521 359 01 | rail seat rail manual 01C satin black | /L | 1 | I369/375 |
| (2) | 997 521 360 01 | rail seat rail manual 01C satin black | /R | 1 | I370/376 |
| (2) | 997 521 361 00 | rail seat rail 01C satin black | /L | 1 | I370/376/377 I378/437/438 |
| (2) | 997 521 362 00 | rail seat rail 01C satin black | /R | 1 | I369/375/377 I378/437/438 |
| - - - E N D - - - | | | | | |

| | | | | | | | | | | | |
|-------|------|----|----|--------------|--------------|--------|------|------------|---------|-----|---------|
| Model | Year | MG | SG | Illustration | Restrictions | Update | 7:50 | 28.08.2006 | PORSCHE | PET | PORSCHE |
| 997 | 07 | 8 | 17 | 817-02 | | 203 | | | | | |



| Pos | Part Number | Name | Remarks | Qty | Model |
|-----|----------------|---|------------|-----|-------------------------------------|
| | | foam part cover series seat comfort seat | 05- 07- | | CARRERA COUPE CABRIO TARGA |
| 1 | 997 521 535 00 | foam part backrest outer | | 2 | I369/370 I437/438 |
| 2 | 997 521 581 00 | foam part backrest centre | | 2 | I369/370 I437/438 |
| 3 | 997 521 571 00 | foam part seat cushion with heating | | 1 | I369/370 I437/438 |
| (3) | 997 521 571 03 | foam part seat cushion advancedairbag | | 1 | I370/438/560 |
| 4 | 997 521 551 00 | cushion carrier backrest | | 2 | I369/370 I437/438 |
| 5 | 997 521 161 00 | cover for cushion | | 2 | I369/370/946 I437/438 |
| | | FLB black | | | |
| | | FLC stone grey | | | |
| | | FLD sand beige | | | |
| | | FLF sea blue | | | |
| | | FLO palmgreen | | | |
| (5) | 997 521 161 01 | cover for cushion | | 2 | I369/370/983 I437/438 |
| | | FLC black | | | |
| | | FLF stone grey | | | |
| | | FLJ sand beige | | | |
| | | FLM sea blue | | | |
| | | FLP palmgreen | | | |
| | | FLQ terracotta | | | |
| | | FLR cocoa | | | |
| | | VAA dark grey/natural | | | |
| | | VAB brown/natural | | | |
| (5) | 997 521 161 02 | cover for cushion | | 2 | I369/370/982 |

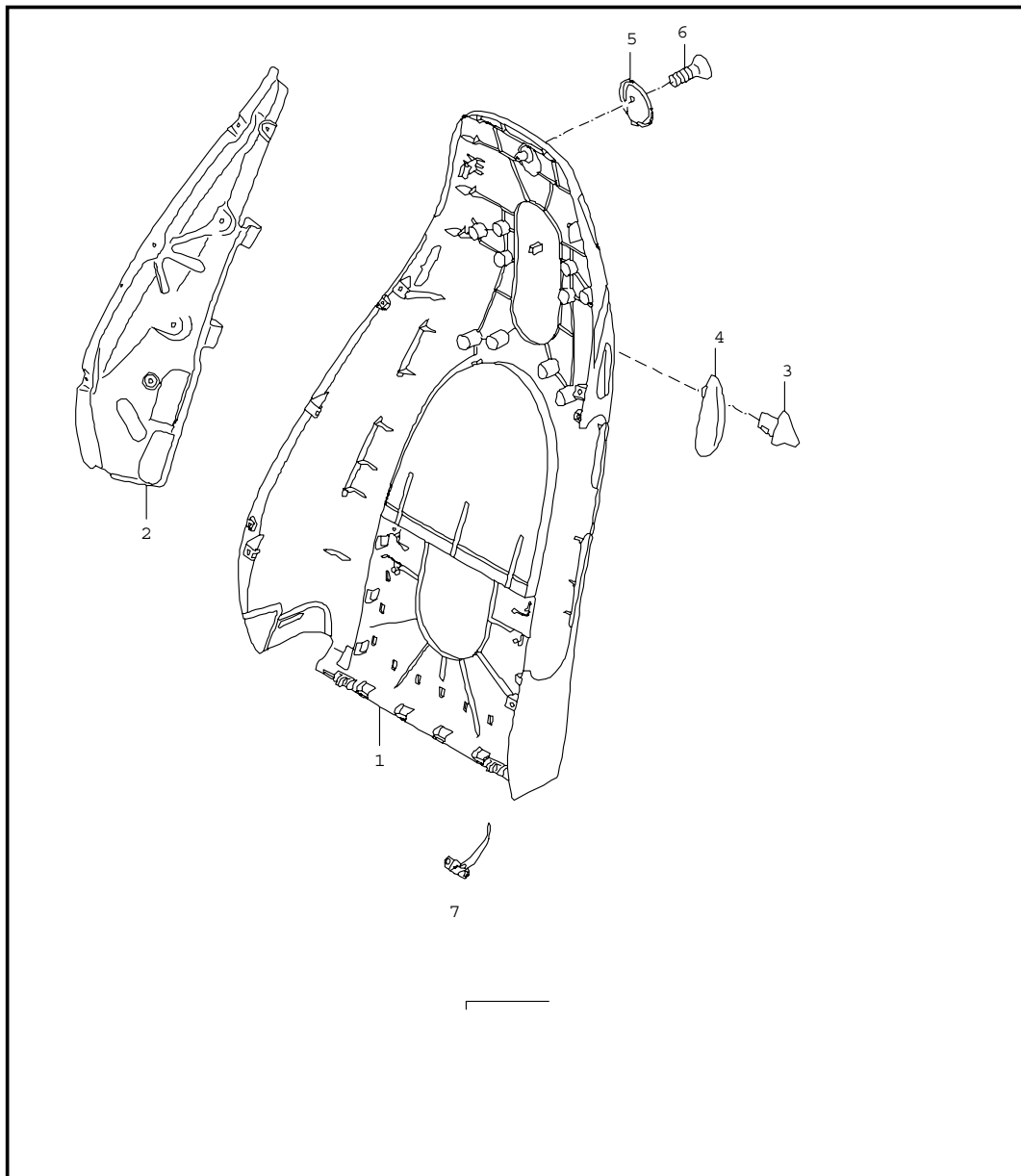
| | | | | | | | | | | | |
|-------|------|----|----|--------------|--------------|--------|------|------------|---------|-----|---------|
| Model | Year | MG | SG | Illustration | Restrictions | Update | 7:50 | 28.08.2006 | PORSCHE | PET | PORSCHE |
| 997 | 07 | 8 | 17 | 817-02 | | 203 | | | | | |

| Pos | Part Number | Name | Remarks | Qty | Model | Pos | Part Number | Name | Remarks | Qty | Model |
|-----|----------------|------------------------------------|---------|-----|--------------------------|-----|--|------|---------|-----|----------------------|
| | | FLC black | | | I437/438 | | 8G1 sand beige | | | | |
| | | FLF stone grey | | | | | 3S8 sea blue | | | | |
| | | FLJ sand beige | | | | | 4P1 palmgreen | | | | |
| | | FLM sea blue | | | | | 9N2 terracotta | | | | |
| | | FLP palmgreen | | | | | 9Q3 cocoa | | | | |
| | | FLQ terracotta | | | | | D11 dark grey/natural | | | | |
| | | FLR cocoa | | | | | T11 brown/natural | | | | |
| | | VAA dark grey/natural | | | | 7 | 997 521 141 00 backrest cover outer part | /L | | 1 | I369/437/946 |
| | | VAB brown/natural | | | | | FLB black | | | | |
| 6 | 997 521 151 00 | backrest cushion cover centre part | | 2 | I946 | | FLC black | | | | |
| | | A08 black | | | | | FLF stone grey | | | | |
| | | 5D6 stone grey | | | | | FLH sand beige | | | | |
| | | T25 sand beige | | | | | FLL sea blue | | | | |
| | | 3W7 sea blue | | | | (7) | 997 521 142 00 backrest cover outer part | /R | | 1 | I370/438/946 |
| | | 4Q2 palmgreen | | | | | FLO palmgreen | | | | |
| (6) | 997 521 151 00 | backrest cushion cover centre part | | 1 | I983 | | FLB black | | | | |
| | | 8YR black | | | | | FLC black | | | | |
| | | 5X5 stone grey | | | | | FLF stone grey | | | | |
| | | 8G1 sand beige | | | | | FLJ sand beige | | | | |
| | | 3S8 sea blue | | | | (7) | 997 521 141 01 backrest cover outer part | /L | | 1 | I369/437 I982/983 |
| | | 4P1 palmgreen | | | | | FLC black | | | | |
| | | 9N2 terracotta | | | | | FLF stone grey | | | | |
| | | 9Q3 cocoa | | | | | FLJ sand beige | | | | |
| | | D11 dark grey/natural | | | | | FLM sea blue | | | | |
| | | T11 brown/natural | | | | | FLP palmgreen | | | | |
| (6) | 997 521 151 01 | backrest cushion cover centre part | | 1 | I437/438/982 I369/370 | | FLQ terracotta | | | | |
| | | 8YR black | | | | | FLR cocoa | | | | |
| | | 5X5 stone grey | | | | | VAA dark grey/natural | | | | |

| | | | | | | | | | | | |
|-------|------|----|----|--------------|--------------|--------|------|------------|---------|-----|---------|
| Model | Year | MG | SG | Illustration | Restrictions | Update | | | | | |
| 997 | 07 | 8 | 17 | 817-02 | | 203 | 7:50 | 28.08.2006 | PORSCHE | PET | PORSCHE |

| Pos | Part Number | Name | Remarks | Qty | Model | Pos | Part Number | Name | Remarks | Qty | Model |
|-----|----------------|------------------------------|---------|-----|----------------------|-----|----------------|------------------------------|---------|-----|--------------|
| | VAB | brown/natural | | | | | 9Q3 | cocoa | | | |
| (7) | 997 521 142 01 | backrest cover outer part | /R | 1 | I370/438 I982/983 | | D11 | dark grey/natural | | | |
| | FLC | black | | | | | T11 | brown/natural | | | |
| | FLF | stone grey | | | | (7) | 997 521 942 01 | backrest cover outer part | /R 06- | 1 | IXSC/982/983 |
| | FLJ | sand beige | | | | | 8YR | black | | | |
| | FLM | sea blue | | | | | 5X5 | stone grey | | | |
| | FLP | palmgreen | | | | | 8G1 | sand beige | | | |
| | FLQ | terracotta | | | | | 3S8 | sea blue | | | |
| | FLR | cocoa | | | | | 4P1 | palmgreen | | | |
| | VAA | dark grey/natural | | | | | 9N2 | terracotta | | | |
| | VAB | brown/natural | | | | | 9Q3 | cocoa | | | |
| (7) | 997 521 941 00 | backrest cover outer part | 06- | 1 | IXSC/946 | | D11 | dark grey/natural | | | |
| | A08 | black | | | | | T11 | brown/natural | | | |
| | 5X5 | stone grey | | | | 8 | 997 521 837 00 | clip padding seat | | 6 | |
| | 3S8 | sea blue | | | | | | | | | |
| | 4P1 | palmgreen | | | | 9 | 997 521 897 00 | clip backrest cover | | 5 | |
| (7) | 997 521 942 00 | backrest cover outer part | 06- | 1 | IXSC/946 | | | - - - E N D - - - | | | |
| | A08 | black | | | | | | | | | |
| | 5X5 | stone grey | | | | | | | | | |
| | 3S8 | sea blue | | | | | | | | | |
| | 4P1 | palmgreen | | | | | | | | | |
| (7) | 997 521 941 01 | backrest cover | /L 06- | 1 | IXSC/982/983 | | | | | | |
| | 8YR | black | | | | | | | | | |
| | 5X5 | stone grey | | | | | | | | | |
| | 8G1 | sand beige | | | | | | | | | |
| | 3S8 | sea blue | | | | | | | | | |
| | 4P1 | palmgreen | | | | | | | | | |
| | 9N2 | terracotta | | | | | | | | | |

| | | | | | | | | | | | |
|-------|------|----|----|--------------|--------------|--------|------|------------|---------|-----|---------|
| Model | Year | MG | SG | Illustration | Restrictions | Update | 7:50 | 28.08.2006 | PORSCHE | PET | PORSCHE |
| 997 | 07 | 8 | 17 | 817-04 | | 203 | | | | | |

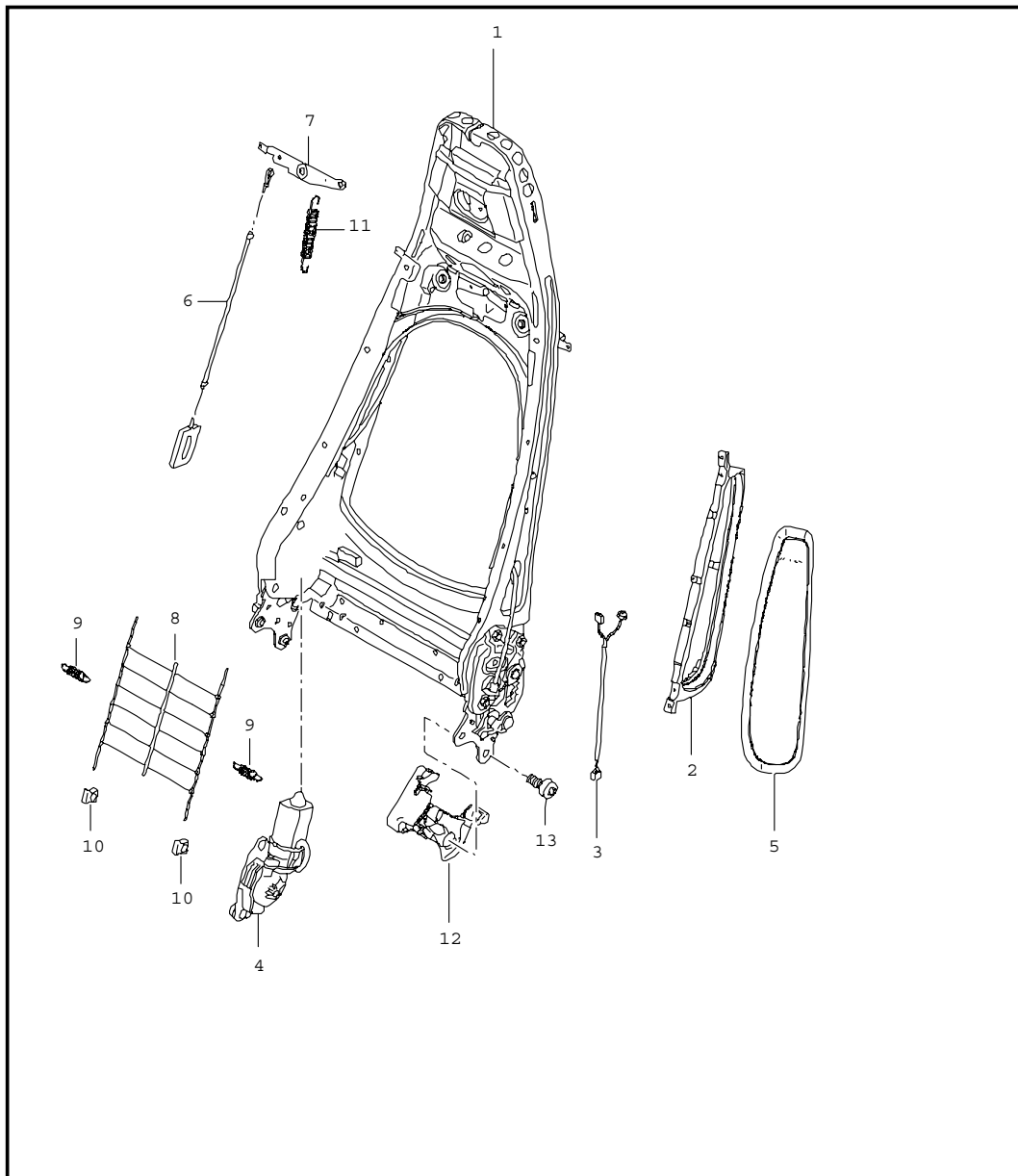


| Pos | Part Number | Name | Remarks | Qty | Model |
|-----|----------------|---|---------|-----|----------------------------|
| | | backrest shell series seat comfort seat | 05- | | CARRERA COUPE CABRIO |
| 1 | 997 521 303 09 | backrest shell | /L | 1 | I369/437/946 |
| | 5Q2 | black | | | |
| | 8X4 | stone grey | | | |
| | 5S4 | sand beige | | | |
| | 8W3 | sea blue | | | |
| | 5Y5 | palmgreen | | | |
| (1) | 997 521 304 09 | backrest shell | /R | 1 | I370/438/946 |
| | 5Q2 | black | | | |
| | 8X4 | stone grey | | | |
| | 5S4 | sand beige | | | |
| | 8W3 | sea blue | | | |
| | 5Y5 | palmgreen | | | |
| (1) | 997 521 303 10 | backrest shell leather | /L | 1 | I369/437 I982/983 |
| | A80 | black | | | |
| | B80 | stone grey | | | |
| | T80 | sand beige | | | |
| | E80 | sea blue | | | |
| | J80 | palmgreen | | | |
| | M80 | terracotta | | | |
| | R80 | COCOA | | | |
| (1) | 997 521 304 10 | backrest shell leather | /R | 1 | I370/438 I982/983 |
| | A80 | black | | | |
| | B80 | stone grey | | | |
| | T80 | sand beige | | | |
| | E80 | sea blue | | | |
| | J80 | palmgreen | | | |

| | | | | | | | | | | | |
|-------|------|----|----|--------------|--------------|--------|------|------------|---------|-----|---------|
| Model | Year | MG | SG | Illustration | Restrictions | Update | 7:50 | 28.08.2006 | PORSCHE | PET | PORSCHE |
| 997 | 07 | 8 | 17 | 817-04 | | 203 | | | | | |

| Pos | Part Number | Name | Remarks | Qty | Model | Pos | Part Number | Name | Remarks | Qty | Model |
|-----|----------------|-------------------------------------|---------|-----|----------------------|-----|-------------|------|---------|-----|-------|
| | M80 | terracotta | | | | | | | | | |
| | R80 | cocoa | | | | | | | | | |
| (1) | 997 521 303 11 | backrest shell | /L | 1 | I369/437/982 | | | | | | |
| | D11 | dark grey/natural | | | I983/998 | | | | | | |
| | T11 | brown/natural | | | | | | | | | |
| (1) | 997 521 304 11 | backrest shell | /R | 1 | I370/438/982 | | | | | | |
| | D11 | dark grey/natural | | | I983/998 | | | | | | |
| | T11 | brown/natural | | | | | | | | | |
| (2) | 997 521 319 00 | bracket | /L | 1 | | | | | | | |
| 2 | 997 521 320 00 | bracket backrest side part | /R | 1 | | | | | | | |
| 3 | 997 521 623 02 | control button locking lever | /L | 1 | | | | | | | |
| | V05 | galvano silver | | | | | | | | | |
| (3) | 997 521 624 02 | control button locking lever | /R | 1 | | | | | | | |
| | V05 | galvano silver | | | | | | | | | |
| 4 | 997 521 621 02 | rose locking lever | /L | 1 | I369/370 I437/438 | | | | | | |
| | D07 | volcano grey | | | | | | | | | |
| (4) | 997 521 622 02 | rose locking lever | /R | 1 | I369/370 I437/438 | | | | | | |
| | D07 | volcano grey | | | | | | | | | |
| 5 | 997 521 373 01 | coat hook | | 2 | | | | | | | |
| | D07 | volcano grey | | | | | | | | | |
| 6 | 999 919 199 09 | countersunk-head screw coat hook | | 1 | | | | | | | |
| 7 | 997 521 783 00 | bracket | /L | 1 | | | | | | | |
| (7) | 997 521 784 00 | bracket backrest shell | /R | 1 | | | | | | | |
| | | - - - E N D - - - | | | | | | | | | |

| | | | | | | | | | | | |
|-------|------|----|----|--------------|--------------|--------|------|------------|---------|-----|---------|
| Model | Year | MG | SG | Illustration | Restrictions | Update | 7:50 | 28.08.2006 | PORSCHE | PET | PORSCHE |
| 997 | 07 | 8 | 17 | 817-06 | | 203 | | | | | |

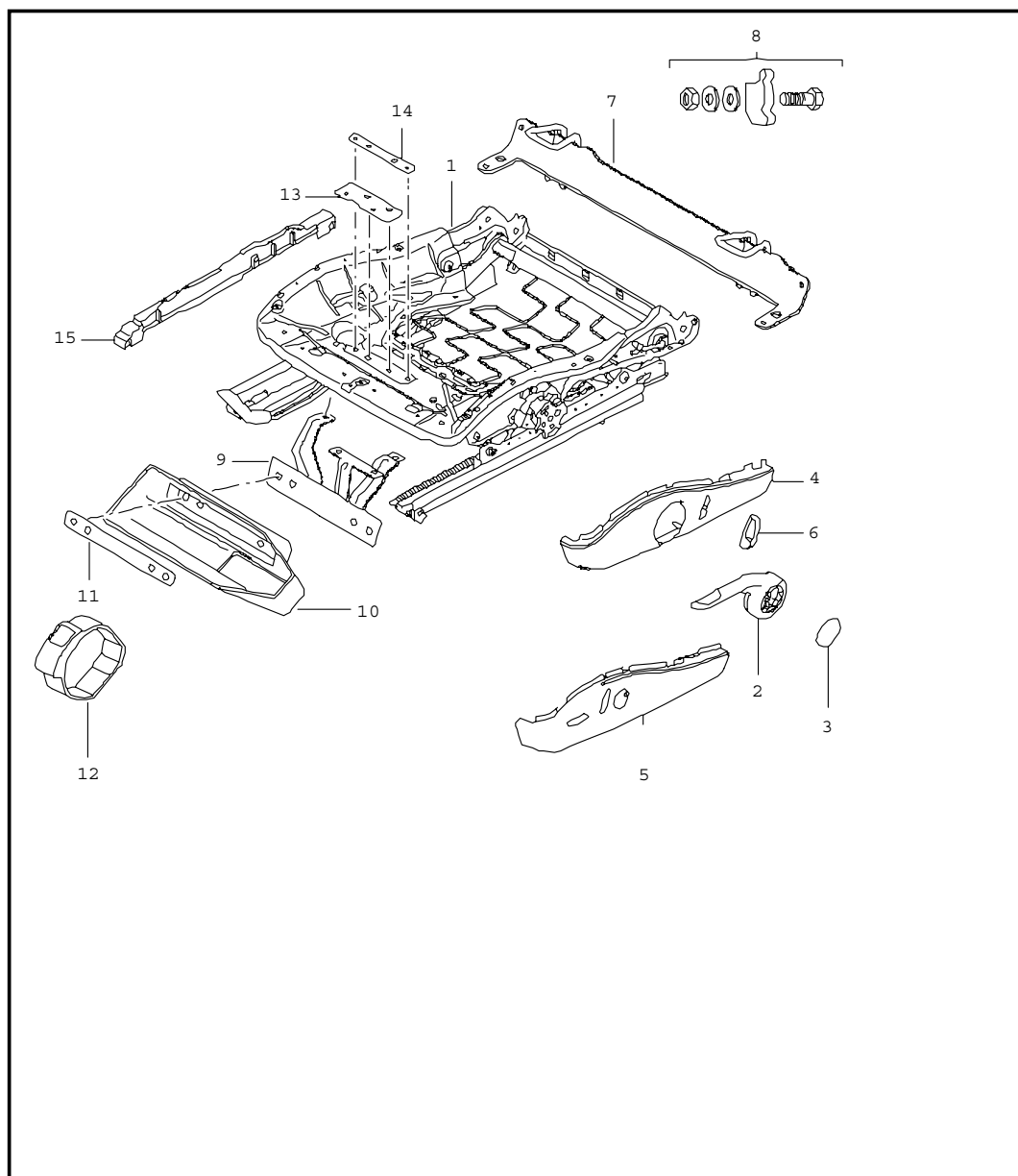


| Pos | Part Number | Name | Remarks | Qty | Model |
|-----|----------------|--|---------|-----|----------------------|
| | | backrest frame series seat comfort seat | 05- | | CARRERA COUPE CABRIO |
| 1 | 997 521 329 00 | backrest frame without memory | /L/R | 2 | I369/370 I437/438 |
| (1) | 997 521 329 01 | backrest frame with memory | /L/R | 2 | I537/538 |
| 2 | 997 521 533 00 | cushion carrier | /L | 1 | I369/437 |
| (2) | 997 521 534 00 | cushion carrier side airbag | /R | 1 | I370/438 |
| 3 | 997 612 785 01 | wiring harness | /L | 1 | I537 |
| (3) | 997 612 786 01 | wiring harness side airbag | /R | 1 | I538 |
| 4 | 997 624 331 00 | electric motor backrest frame memory | | 1 | I537/538 |
| (4) | 997 624 321 00 | electric motor backrest frame without memory | | 1 | |
| 5 | 997 803 081 01 | side airbag | /L | 1 | I369/437 |
| | A03 | black | | | |
| | 5V7 | stone grey | | | |
| | 5Z1 | sand beige | | | |
| | 8W7 | sea blue | | | |
| | 5Y2 | palmgreen | | | |
| | 8X8 | terracotta | | | |
| | 8P9 | cocoa | | | |
| | T13 | brown/natural | | | |
| (5) | 997 803 082 01 | side airbag | /R | 1 | I370/438 |
| | A03 | black | | | |
| | 5V7 | stone grey | | | |
| | 5Z1 | sand beige | | | |
| | 8W7 | sea blue | | | |

| | | | | | | | | | | | |
|-------|------|----|----|--------------|--------------|--------|------|------------|---------|-----|---------|
| Model | Year | MG | SG | Illustration | Restrictions | Update | | | | | |
| 997 | 07 | 8 | 17 | 817-06 | | 203 | 7:50 | 28.08.2006 | PORSCHE | PET | PORSCHE |

| Pos | Part Number | Name | Remarks | Qty | Model | Pos | Part Number | Name | Remarks | Qty | Model |
|------|----------------|---|---------|-----|-------|-----|-------------|------|---------|-----|-------|
| | 5Y2 | palmgreen | | | | | | | | | |
| | 8X8 | terracotta | | | | | | | | | |
| | 8P9 | cocoa | | | | | | | | | |
| | T13 | brown/natural | | | | | | | | | |
| 6 | 997 521 485 00 | bowden cable backrest frame | | 2 | | | | | | | |
| 7 | 997 521 375 00 | release backrest frame | | 1 | | | | | | | |
| 8 | 997 521 855 00 | grille backrest frame | | 1 | | | | | | | |
| 9 | 997 521 893 00 | tension spring inner spring | | 2 | | | | | | | |
| 10 | 997 521 895 00 | clip inner spring | | 2 | | | | | | | |
| 11 | 997 521 797 00 | tension spring release backrest | | 1 | | | | | | | |
| 12 | 997 521 335 01 | cover mounting component inner | /L | 1 | | | | | | | |
| | D07 | volcano grey | | | | | | | | | |
| (12) | 997 521 336 01 | cover mounting component inner | /R | 1 | | | | | | | |
| | D07 | volcano grey | | | | | | | | | |
| 13 | 999 073 375 09 | screw mount backrest seat adjuster | | 4 | | | | | | | |
| | | - - - E N D - - - | | | | | | | | | |

| | | | | | | | | | | | |
|-------|------|----|----|--------------|--------------|--------|------|------------|---------|-----|---------|
| Model | Year | MG | SG | Illustration | Restrictions | Update | 7:50 | 28.08.2006 | PORSCHE | PET | PORSCHE |
| 997 | 07 | 8 | 17 | 817-08 | | 203 | | | | | |

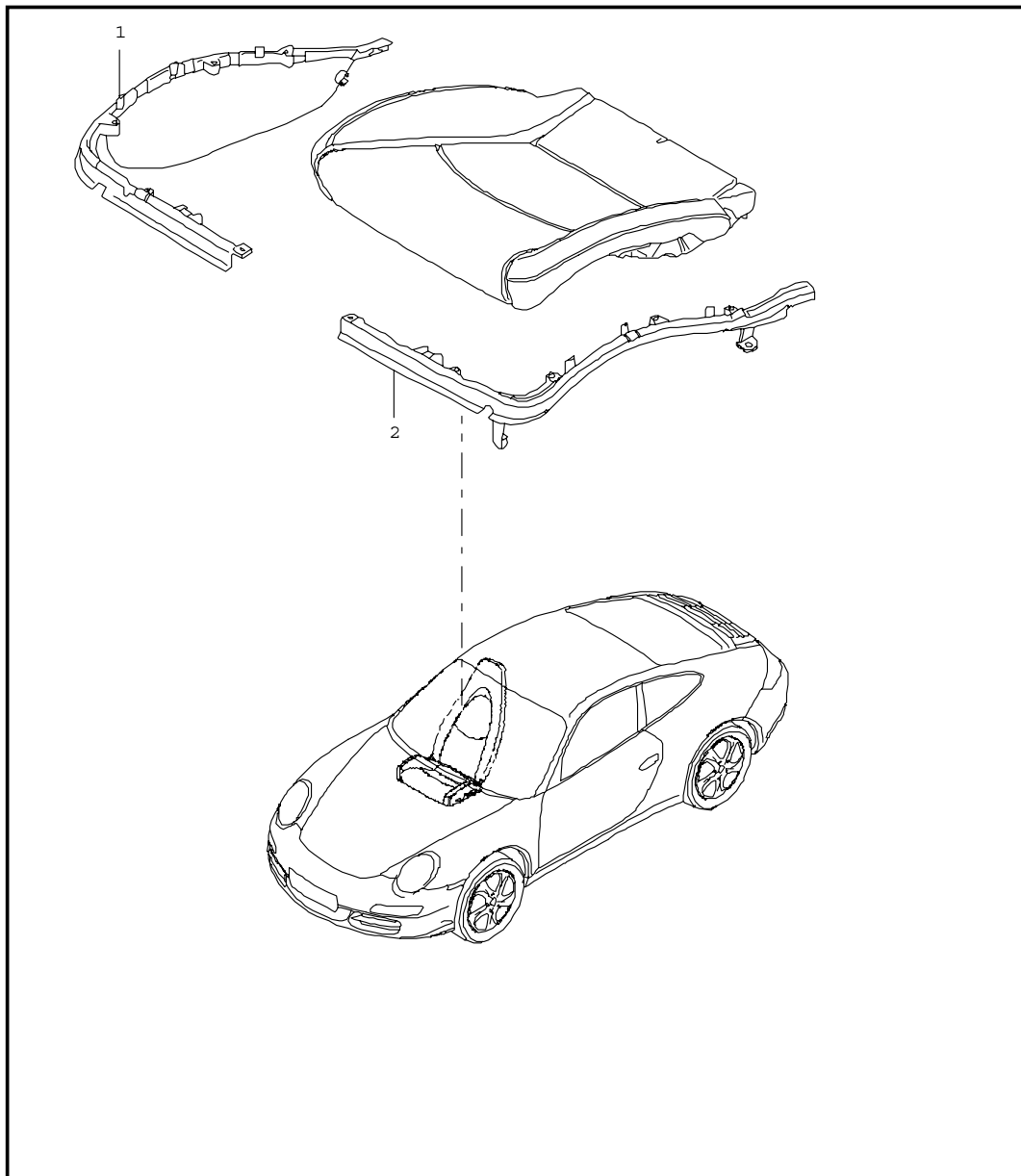


| Pos | Part Number | Name | Remarks | Qty | Model |
|-----|----------------|--|---------|-----|----------------------|
| | | seat adjuster series seat comfort seat | 05- | | CARRERA COUPE CABRIO |
| 1 | 997 521 201 00 | seat adjuster manual left-hand drive driver's side | /L | 1 | I098/369/375 |
| (1) | 997 521 202 00 | seat adjuster manual right-hand drive driver's side | /R | 1 | I099/370/376 |
| (1) | 997 521 201 04 | seat adjuster | /L | 1 | I377/437 |
| (1) | 997 521 202 10 | seat adjuster electric without memory | /R | 1 | I378/438 |
| (1) | 997 521 201 05 | seat adjuster | /L | 1 | I377/437/537 |
| (1) | 997 521 202 11 | seat adjuster electric with memory | /R | 1 | I378/438/538 |
| (1) | 997 521 201 03 | seat adjuster manual right-hand drive passenger's side | /L | 1 | I099/369/375 |
| (1) | 997 521 202 05 | seat adjuster manual left-hand drive passenger's side | /R 05- | 1 | I098/370/376 |
| (1) | 997 521 202 06 | seat adjuster manual seat occupancy detection | /R 06- | 1 | I370/376/560 |
| (1) | 997 521 202 12 | seat adjuster electric seat occupancy detection | /R 06- | 1 | I378/438/560 |
| 2 | 997 521 627 01 | actuating lever height adjustment | /L | 1 | I369/375 |
| | | V05 galvano silver | | | |
| (2) | 997 521 628 01 | actuating lever height adjustment | /R | 1 | I370/376 |
| | | V05 galvano silver | | | |
| 3 | 997 521 629 01 | cap actuating lever | /L/R | 2 | I369/370 I375/376 |

| | | | | | | | | | | | |
|-------|------|----|----|--------------|--------------|--------|------|------------|---------|-----|---------|
| Model | Year | MG | SG | Illustration | Restrictions | Update | 7:50 | 28.08.2006 | PORSCHE | PET | PORSCHE |
| 997 | 07 | 8 | 17 | 817-08 | | 203 | | | | | |

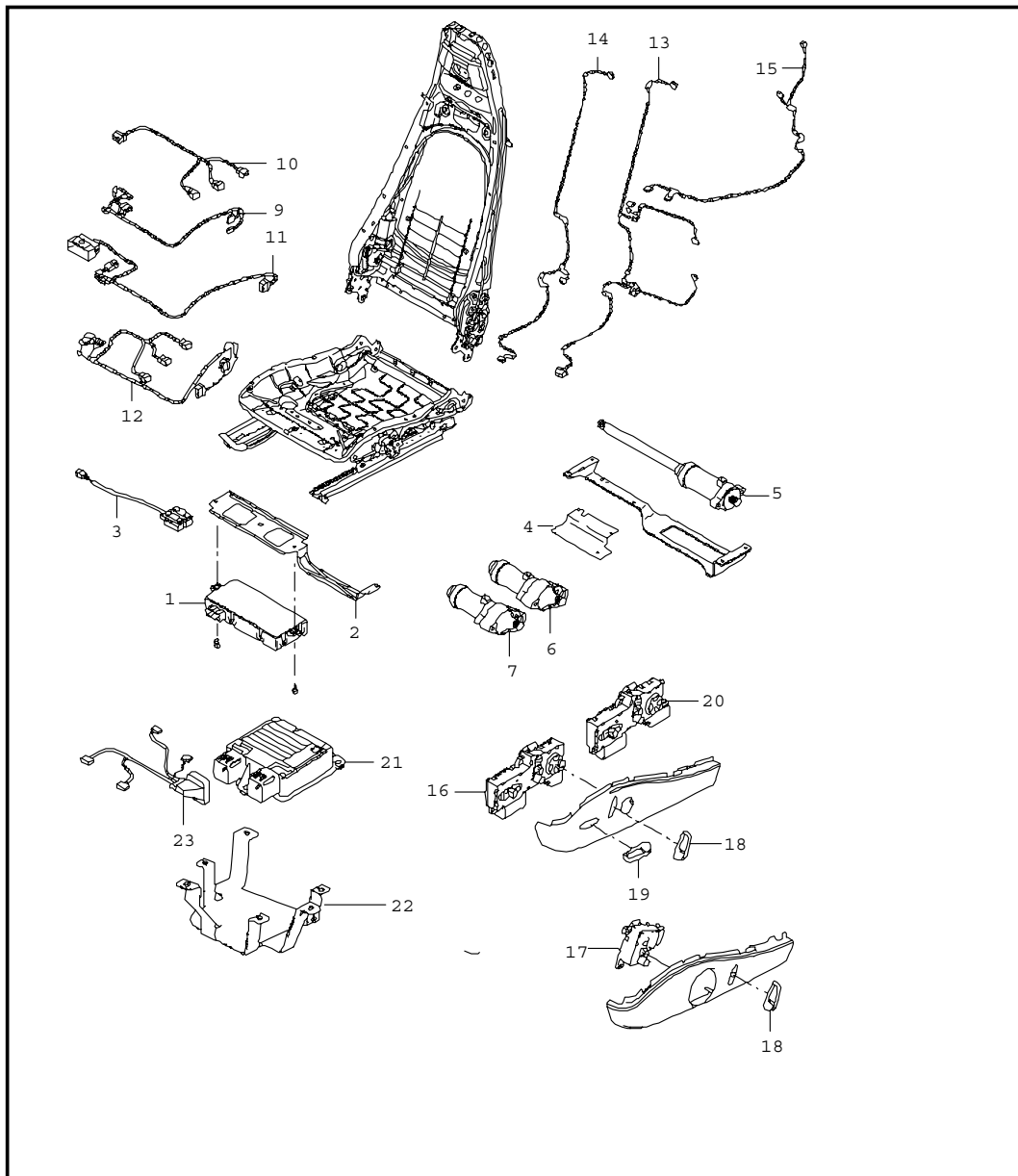
| Pos | Part Number | Name | Remarks | Qty | Model | Pos | Part Number | Name | Remarks | Qty | Model |
|-----|----------------|--|---------|-----|--------------|------|----------------|--|---------|-----|--------------------------|
| | D07 | volcano grey | | | | 11 | 997 521 881 00 | support cup fire extinguisher | | 1 | I509 |
| 4 | 997 521 325 06 | trim for switch | /L | 1 | I369/375 | 12 | 997 521 851 00 | restraining strap fire extinguisher | | 1 | I509 |
| | D07 | volcano grey without advancedairbag | | | | 13 | 997 521 841 00 | reinforcement front | | 1 | I509 |
| (4) | 997 521 326 06 | trim for switch | /R | 1 | I370/376 | 14 | 997 521 843 00 | reinforcement rear | | 1 | I509 |
| | D07 | volcano grey without advancedairbag | | | | 15 | 997 521 427 01 | cover sensor weight | /L 06- | 1 | I370/376/378 I438/560 |
| 5 | 997 521 325 07 | trim for switch without advancedairbag | /L | 1 | I437 | | 01C | satin black | | | |
| | D07 | volcano grey | | | | (15) | 997 521 426 01 | cover sensor weight | /R 06- | 1 | I370/376/378 I438/560 |
| (5) | 997 521 326 07 | trim for switch without advancedairbag | /R | 1 | I438 | | 01C | satin black | | | |
| | D07 | volcano grey | | | | (16) | 999 141 047 01 | torx screw seat rail BEFEST | | 4 | |
| (5) | 997 521 326 09 | trim for switch advancedairbag | /R 06- | 1 | I370/376/560 | | | - - - E N D - - - | | | |
| | D07 | volcano grey | | | | | | | | | |
| (5) | 997 521 326 10 | trim for switch advancedairbag | /R 06- | 1 | I438/560 | | | | | | |
| | D07 | volcano grey | | | | | | | | | |
| 6 | 997 521 631 01 | control button backrest | | 1 | | | | | | | |
| | V05 | galvano silver | | | | | | | | | |
| 7 | 997 521 061 01 | retaining bow child car seat ISOFIX not for AUSTRALIEN | | 1 | | | | | | | |
| 8 | 997 521 961 01 | set of fastening parts retaining bow | | 1 | | | | | | | |
| 9 | 997 521 251 00 | support fire extinguisher | | 1 | I098/509 | | | | | | |
| (9) | 997 521 252 00 | support fire extinguisher | | 1 | I099/509 | | | | | | |
| 10 | 997 521 607 00 | cup fire extinguisher | | 1 | I509 | | | | | | |

| | | | | | | | | | | | |
|-------|------|----|----|--------------|--------------|--------|------|------------|---------|-----|---------|
| Model | Year | MG | SG | Illustration | Restrictions | Update | | | | | |
| 997 | 07 | 8 | 17 | 817-09 | | 203 | 7:51 | 28.08.2006 | PORSCHE | PET | PORSCHE |



| Pos | Part Number | Name | Remarks | Qty | Model |
|-------------------|----------------|--|---------|-----|----------------------------|
| | | cushion carrier frame seat surface | 05- | | CARRERA COUPE CABRIO |
| (1) | 997 521 547 00 | frame inner left | /L | 1 | I370/376 I378/438 |
| 1 | 997 521 548 00 | frame inner right | /R | 1 | I369/375 I377/437 |
| 2 | 997 521 545 00 | frame outer left without advancedairbag | /L | 1 | I369/375 I377/437 |
| (2) | 997 521 546 00 | frame outer right without advancedairbag | /R | 1 | I370/376 I378/438 |
| - | 997 521 546 01 | frame outer right with advancedairbag | /R 06- | 1 | I370/376/378 I438/560 |
| - - - E N D - - - | | | | | |

| | | | | | | | | | | | |
|-------|------|----|----|--------------|--------------|--------|------|------------|---------|-----|---------|
| Model | Year | MG | SG | Illustration | Restrictions | Update | 7:51 | 28.08.2006 | PORSCHE | PET | PORSCHE |
| 997 | 07 | 8 | 17 | 817-10 | | 203 | | | | | |

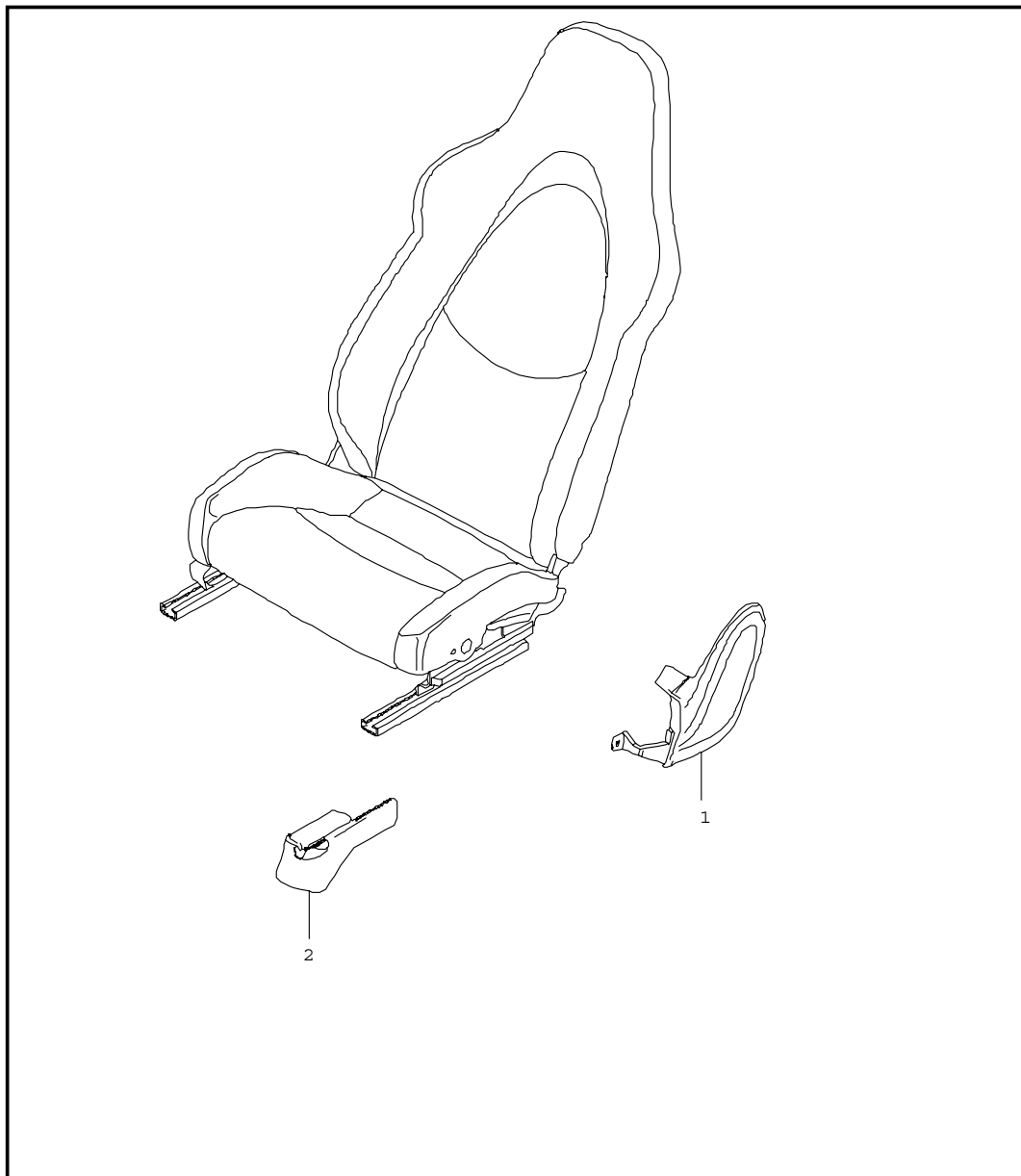


| Pos | Part Number | Name | Remarks | Qty | Model |
|-----|----------------|---|---------|-----|------------------------------|
| | | harnesses switch control unit electric motor series seat comfort seat | 05- | | CARRERA COUPE CABRIO |
| 1 | 997 618 537 07 | control unit seating position control | | 1 | I537/538 |
| 2 | 997 521 643 00 | support control unit seating position control | | 1 | I377/378/437 I438/537/538 |
| 3 | 997 613 725 00 | switch seat adjuster | /L | 1 | I377 |
| | | V05 galvano silver | | | |
| (3) | 997 613 726 00 | switch seat adjuster | /R | 1 | I378 |
| | | V05 galvano silver | | | |
| 4 | 997 521 343 00 | support compressor | | 1 | I377/378 |
| 5 | 997 624 322 00 | electric motor seat adjuster lengthways height adjustment without memory | | 1 | I377/378 I437/438 |
| (5) | 997 624 332 00 | electric motor seat adjuster lengthways height adjustment memory | | 1 | I537/538 |
| 6 | 997 624 323 00 | electric motor seat adjuster tilt without memory | | 1 | I377/378 I437/438 |
| 7 | 997 624 333 00 | electric motor seat adjuster memory tilt | | 1 | I537/538 |
| 9 | 997 612 684 00 | wiring harness seat adjuster memory | | 1 | I537/538 |

| | | | | | | | | | | | |
|-------|------|----|----|--------------|--------------|--------|------|------------|---------|-----|---------|
| Model | Year | MG | SG | Illustration | Restrictions | Update | 7:51 | 28.08.2006 | PORSCHE | PET | PORSCHE |
| 997 | 07 | 8 | 17 | 817-10 | | 203 | | | | | |

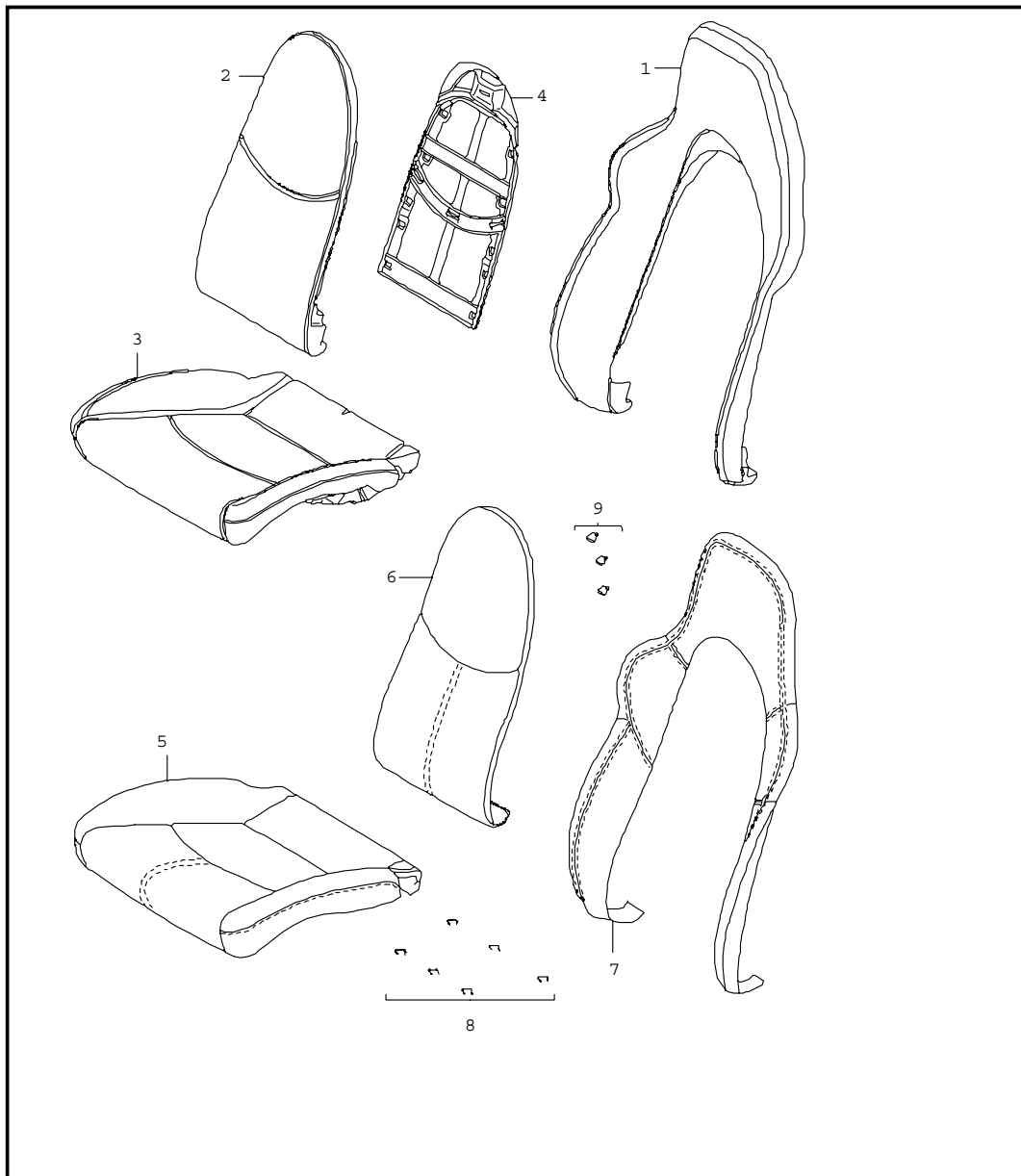
| Pos | Part Number | Name | Remarks | Qty | Model | Pos | Part Number | Name | Remarks | Qty | Model |
|------|----------------|---|---------|-----|----------------------|------|----------------|---|---------|-----|--------------------------|
| 10 | 997 612 690 00 | wiring harness lengthways height adjustment memory | | 1 | I537/538 | 20 | 997 613 717 01 | switch seat adjuster without memory | /L | 1 | I377/437 |
| 11 | 997 612 682 01 | wiring harness switch seat adjuster | | 1 | I369/370 I375/376 | | V05 | galvano silver | | | |
| 12 | 997 612 683 01 | wiring harness switch seat adjuster | | 1 | I437/438 | (20) | 997 613 718 01 | switch seat adjuster without memory | /R | 1 | I378/438 |
| 13 | 997 612 689 00 | wiring harness lumbar support without memory | | 1 | I377/378 I437/438 | | V05 | galvano silver | | | |
| 14 | 997 612 687 00 | wiring harness lumbar backrest memory | | 1 | I437/438 I537/538 | (21) | 997 618 233 05 | control unit seat occupancy detection | 06- | 1 | I370/376/378 I438/560 |
| 15 | 997 612 685 01 | wiring harness backrest | /L | 1 | I369/375 I377/437 | (22) | 997 521 646 00 | support control unit seat occupancy detection | 06- | 1 | I370/376/378 I438/560 |
| (15) | 997 612 686 01 | wiring harness backrest | /R | 1 | I370/376 I378/438 | 23 | 997 612 688 00 | wiring harness seat occupancy detection | 06- | 1 | I370/376/378 I438/560 |
| 16 | 997 613 721 01 | switch seat adjuster memory switch | /L | 1 | I377/437/537 | | | - - - E N D - - - | | | |
| | V05 | galvano silver | | | | | | | | | |
| (16) | 997 613 722 01 | switch seat adjuster memory switch | /R | 1 | I378/438/538 | | | | | | |
| | V05 | galvano silver | | | | | | | | | |
| 17 | 997 613 713 00 | switch | /L | 1 | I369/375 | | | | | | |
| (17) | 997 613 714 00 | switch seat adjuster manually adjustable | /R | 1 | I370/376 | | | | | | |
| 18 | 997 521 631 01 | control button | | 1 | I369/370 | | | | | | |
| | V05 | galvano silver | | | I437/438 | | | | | | |
| 19 | 997 521 633 02 | control button | | 1 | I377/378 | | | | | | |
| | V05 | galvano silver | | | I437/438 | | | | | | |

| | | | | | | | | | | | |
|-------|------|----|----|--------------|--------------|--------|------|------------|---------|-----|---------|
| Model | Year | MG | SG | Illustration | Restrictions | Update | 7:51 | 28.08.2006 | PORSCHE | PET | PORSCHE |
| 997 | 07 | 8 | 17 | 817-15 | | 203 | | | | | |



| Pos | Part Number | Name | Remarks | Qty | Model |
|-------------------|----------------|--|---------|-----|----------------------------|
| | | front seat complete not available sports seat | 05- | | CARRERA COUPE CABRIO |
| 1 | 997 521 315 02 | trim | /L | 1 | I375/377 |
| | D07 | volcano grey | | | |
| (1) | 997 521 316 02 | trim | /R | 1 | I376/378 |
| | D07 | volcano grey | | | |
| (1) | 997 521 316 03 | trim mounting component advancedairbag | /R 06- | 1 | I376/378/560 |
| | D07 | volcano grey | | | |
| 2 | 997 521 359 01 | rail seat rail manual | /L | 1 | I369/375 |
| | 01C | satin black | | | |
| (2) | 997 521 360 01 | rail seat rail manual | /R | 1 | I370/376 |
| | 01C | satin black | | | |
| (2) | 997 521 361 00 | rail seat rail | /L | 1 | |
| | 01C | satin black | | | |
| (2) | 997 521 362 00 | rail seat rail | /R | 1 | |
| | 01C | satin black | | | |
| - - - E N D - - - | | | | | |

| | | | | | | | | | | | |
|-------|------|----|----|--------------|--------------|--------|------|------------|---------|-----|---------|
| Model | Year | MG | SG | Illustration | Restrictions | Update | 7:51 | 28.08.2006 | PORSCHE | PET | PORSCHE |
| 997 | 07 | 8 | 17 | 817-17 | | 203 | | | | | |

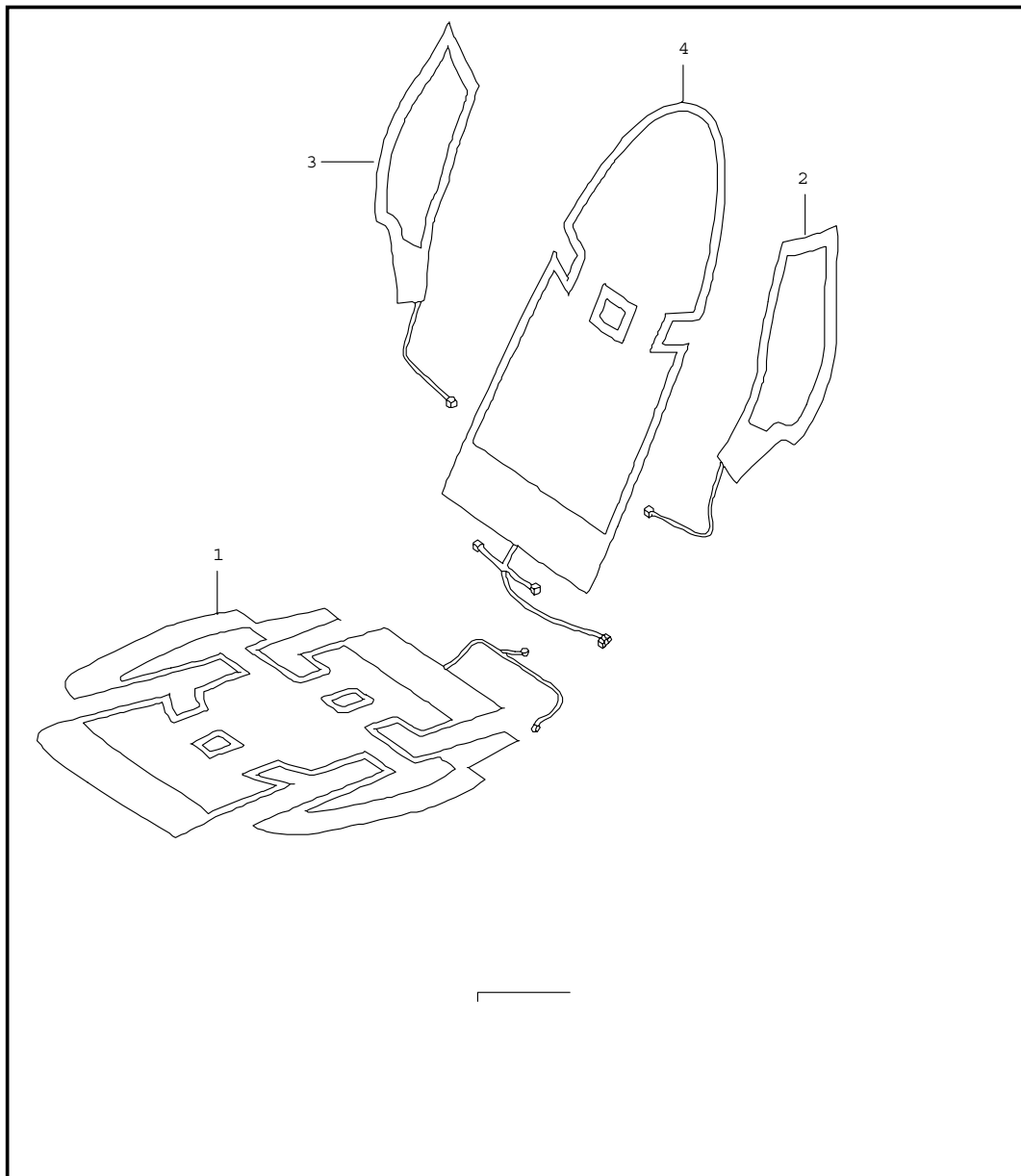


| Pos | Part Number | Name | Remarks | Qty | Model |
|-----|----------------|---------------------------------------|---------|-----|----------------------|
| | | foam part cover sports seat | 05- | | CARRERA CABRIO COUPE |
| 1 | 997 521 535 01 | foam part backrest outer | | 2 | I375/376 |
| (1) | 997 521 535 02 | foam part backrest outer | | 2 | I377/378 |
| 2 | 997 521 581 00 | foam part backrest centre | | 2 | |
| 3 | 997 521 571 01 | foam part seat cushion with heating | | 2 | I375/376 |
| (3) | 997 521 571 02 | foam part seat cushion with heating | | 2 | I377/378 |
| (3) | 997 521 571 04 | foam part seat cushion advancedairbag | 06- | 1 | I376/560 |
| (3) | 997 521 571 05 | foam part seat cushion advancedairbag | 06- | 1 | I378/560 |
| 4 | 997 521 551 00 | cushion carrier backrest | | 2 | |
| 5 | 997 521 161 03 | cover for cushion | | 2 | I375/376/983 |
| | | FLC black | | | |
| | | FLF stone grey | | | |
| | | FLJ sand beige | | | |
| | | FLM sea blue | | | |
| | | FLP palmgreen | | | |
| | | FLQ terracotta | | | |
| | | FLR cocoa | | | |
| | | VAA dark grey/natural | | | |
| | | VAB brown/natural | | | |
| (5) | 997 521 161 06 | cover for cushion | | 2 | I377/378/983 |
| | | FLC black | | | |

| | | | | | | | | | | | |
|-------|------|----|----|--------------|--------------|--------|------|------------|---------|-----|---------|
| Model | Year | MG | SG | Illustration | Restrictions | Update | | | | | |
| 997 | 07 | 8 | 17 | 817-17 | | 203 | 7:51 | 28.08.2006 | PORSCHE | PET | PORSCHE |

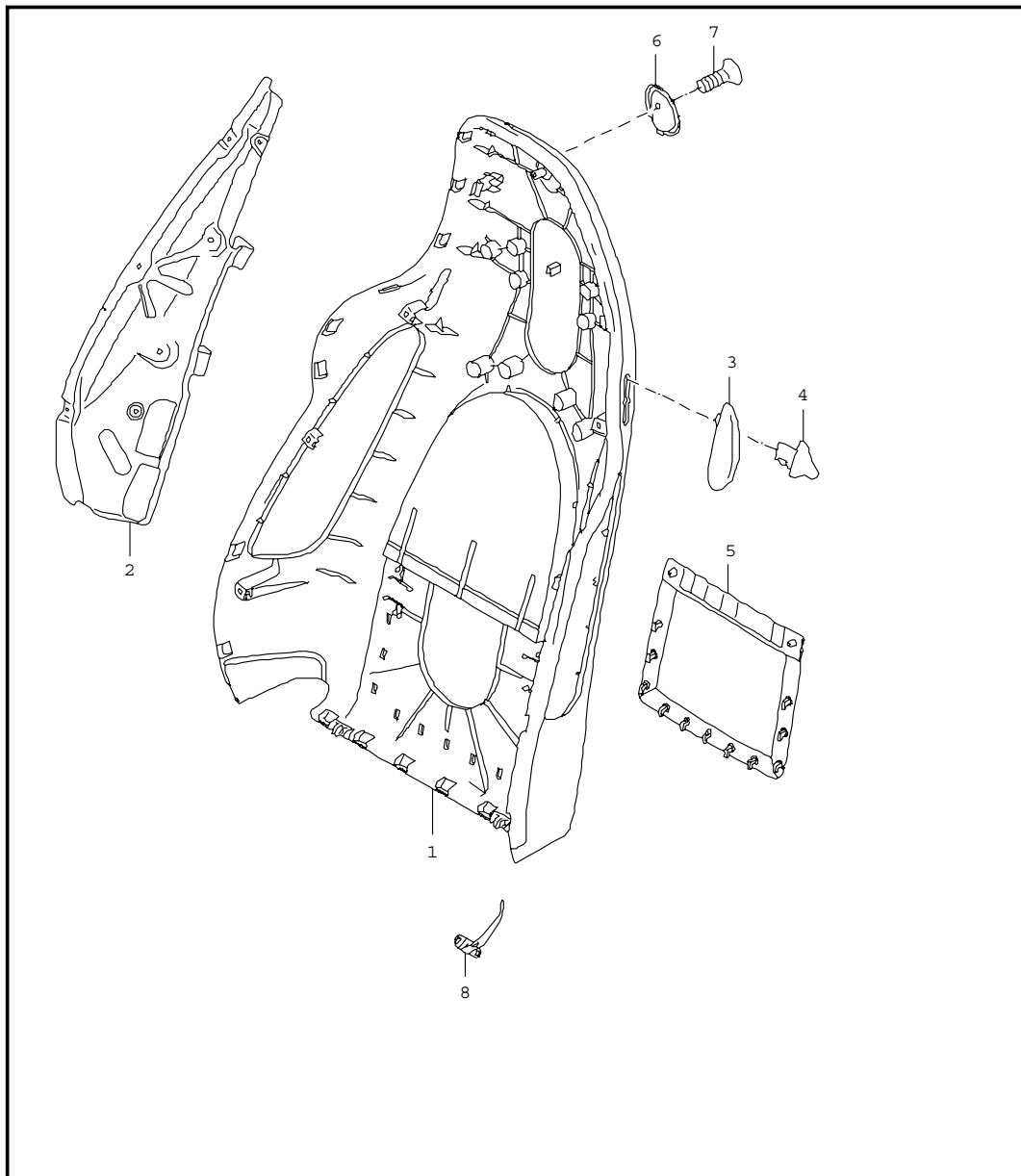
| Pos | Part Number | Name | Remarks | Qty | Model | Pos | Part Number | Name | Remarks | Qty | Model |
|-----|----------------|---------------------------------------|---------|-----|--------------------------|-----|-----------------------|------------------------------|---------|-----|----------|
| | | FLF stone grey | | | | | FLM sea blue | | | | |
| | | FLJ sand beige | | | | | FLP palmgreen | | | | |
| | | FLM sea blue | | | | | FLQ terracotta | | | | |
| | | FLP palmgreen | | | | | FLR cocoa | | | | |
| | | FLQ terracotta | | | | | VAA dark grey/natural | | | | |
| | | FLR cocoa | | | | | VAB brown/natural | | | | |
| | | VAA dark grey/natural | | | | (7) | 997 521 941 02 | backrest cover outer part | 06- | 1 | IXSC/983 |
| | | VAB brown/natural | | | | | 8YR black | | | | |
| 6 | 997 521 151 00 | backrest cushion cover centre part | | 2 | I946 | | 5X5 stone grey | | | | |
| | | A08 black | | | | | 8G1 sand beige | | | | |
| | | 5D6 stone grey | | | | | 3S8 sea blue | | | | |
| | | T25 sand beige | | | | | 4P1 palmgreen | | | | |
| | | 3W7 sea blue | | | | | 9N2 terracotta | | | | |
| | | 4Q2 palmgreen | | | | | 9Q3 cocoa | | | | |
| (6) | 997 521 151 00 | backrest cushion cover centre part | | 1 | I983 | | D11 dark grey/natural | | | | |
| | | 8YR black | | | | | T11 brown/natural | | | | |
| | | 5X5 stone grey | | | | 8 | 997 521 837 00 | clip padding seat | | 6 | |
| | | 8G1 sand beige | | | | | | | | | |
| | | 3S8 sea blue | | | | 9 | 997 521 897 00 | clip backrest cover | | 5 | |
| | | 4P1 palmgreen | | | | | | | | | |
| | | 9N2 terracotta | | | | | | | | | |
| | | 9Q3 cocoa | | | | | | | | | |
| | | D11 dark grey/natural | | | | | | | | | |
| | | T11 brown/natural | | | | | | | | | |
| (7) | 997 521 155 01 | backrest cover outer part | | 2 | I375/376/377 I378/983 | | | | | | |
| | | FLC black | | | | | | | | | |
| | | FLF stone grey | | | | | | | | | |
| | | FLJ sand beige | | | | | | | | | |
| | | | | | | | | - - - E N D - - - | | | |

| | | | | | | | | | | | |
|-------|------|----|----|--------------|--------------|--------|------|------------|---------|-----|---------|
| Model | Year | MG | SG | Illustration | Restrictions | Update | 7:52 | 28.08.2006 | PORSCHE | PET | PORSCHE |
| 997 | 07 | 8 | 17 | 817-18 | | 203 | | | | | |



| Pos | Part Number | Name | Remarks | Qty | Model |
|-----|----------------|---|---------|-----|-----------------------|
| | | heating front seat | 05 - | | CARRERA CABRIO COUPE |
| 1 | 997 653 105 02 | heating element seat cushion series seat comfort seat | /L/R | 2 | I342/369/370 I437/438 |
| (1) | 997 653 105 03 | heating element seat cushion sports seat | /L/R | 2 | I342/375/376 I377/378 |
| 2 | 997 653 109 00 | heating element backrest side part series seat comfort seat | /L | 1 | I342/369/370 I437/438 |
| (2) | 997 653 109 01 | heating element backrest side part sports seat | /L | 1 | I342/375/376 I377/378 |
| 3 | 997 653 110 00 | heating element backrest side part series seat comfort seat | /R | 1 | I342/369/370 I437/438 |
| (3) | 997 653 110 01 | heating element backrest side part sports seat | /R | 1 | I342/375/376 I377/378 |
| 4 | 997 653 107 00 | heating element backrest cushion | /L/R | 2 | I342 |
| | | - - - E N D - - - | | | |

| | | | | | | | | | | | |
|-------|------|----|----|--------------|--------------|--------|------|------------|---------|-----|---------|
| Model | Year | MG | SG | Illustration | Restrictions | Update | 7:52 | 28.08.2006 | PORSCHE | PET | PORSCHE |
| 997 | 07 | 8 | 17 | 817-19 | | 203 | | | | | |



| Pos | Part Number | Name | Remarks | Qty | Model |
|-----|----------------|-------------------------------|---------|-----|----------------------------|
| | | backrest shell sports seat | 05- | | CARRERA COUPE CABRIO |
| 1 | 997 521 303 12 | backrest shell | /L | 1 | I375/377 |
| | D07 | volcano grey | | | |
| (1) | 997 521 304 12 | backrest shell | /R | 1 | I376/378 |
| | D07 | volcano grey | | | |
| (1) | 997 521 303 13 | backrest shell | /L 06- | 1 | I375/377 |
| | D07 | volcano grey | | | |
| (1) | 997 521 304 13 | backrest shell | /R 06- | 1 | I376/378 |
| | D07 | volcano grey | | | |
| (1) | 997 521 981 00 | backrest shell | /L 06- | 1 | IXSA/375/377 |
| | 041 | black | | | |
| | 84A | guards red | | | |
| | 12H | speed yellow | | | |
| | B9A | carrara white | | | |
| | 92U | arctic silver metallic | | | |
| | M3W | carmon red metallic | | | |
| | M5W | lapis blue metallic | | | |
| | M6W | lagoon green metallic | | | |
| | C9Z | basalt black metallic | | | |
| | M7X | atlas grey metallic | | | |
| | 39C | midnight blue metallic | | | |
| | 6B4 | seal grey metallic | | | |
| | 2B4 | forest green metallic | | | |
| | 3C8 | cobalt blue metallic | | | |
| | 23F | slate grey metallic | | | |
| | M6X | dark olive-metallic | | | |
| | M7Z | gt silver metallic | | | |
| (1) | 997 521 982 00 | backrest shell | /R 06- | 1 | IXSA/376/378 |

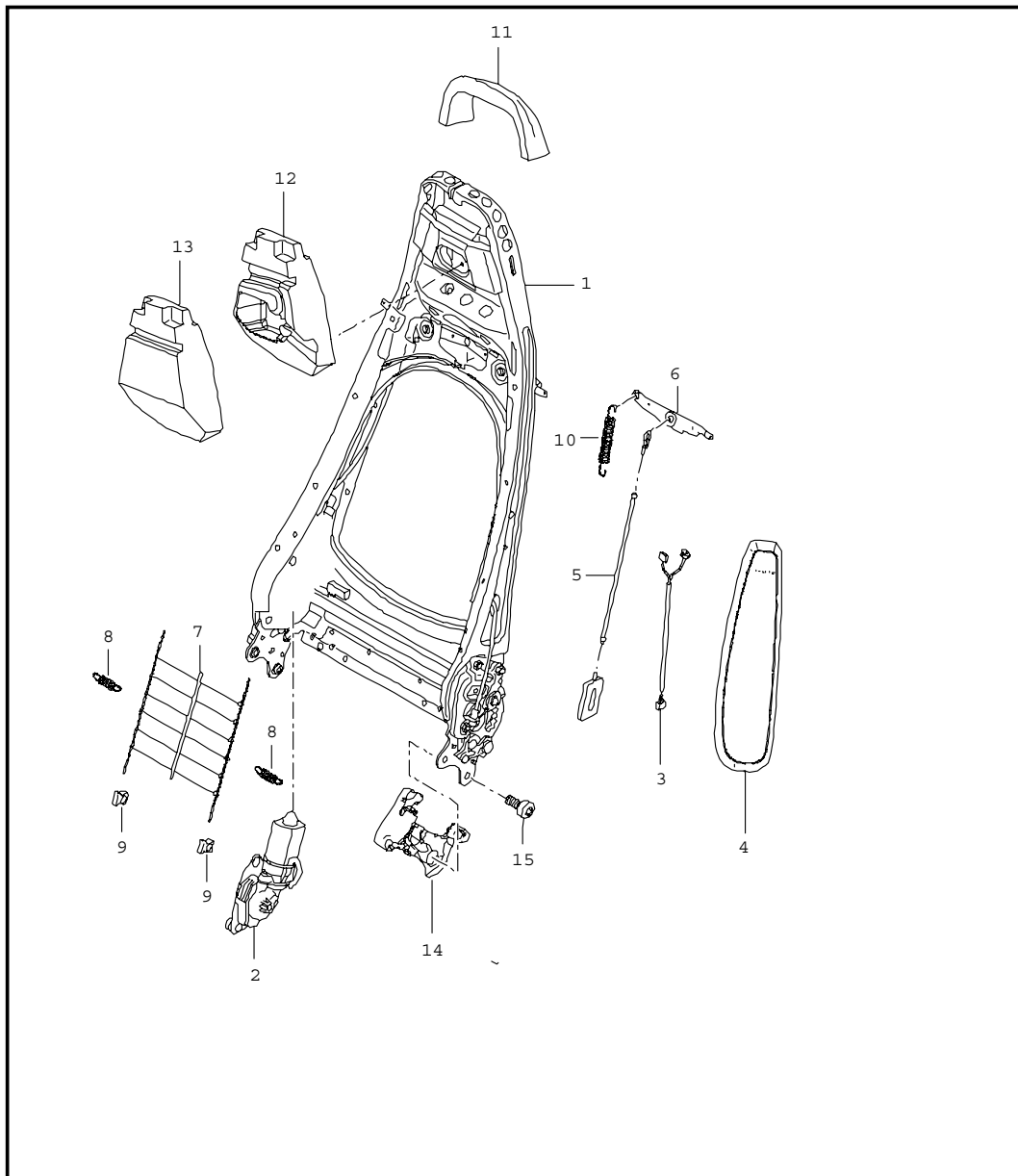
| | | | | | | | | | | | |
|-------|------|----|----|--------------|--------------|--------|------|------------|---------|-----|---------|
| Model | Year | MG | SG | Illustration | Restrictions | Update | 7:52 | 28.08.2006 | PORSCHE | PET | PORSCHE |
| 997 | 07 | 8 | 17 | 817-19 | | 203 | | | | | |

| Pos | Part Number | Name | Remarks | Qty | Model | Pos | Part Number | Name | Remarks | Qty | Model |
|-----|----------------|-------------------------------|---------|-----|--------------|-----|----------------|------------------------------|---------|-----|----------------------|
| | 041 | black | | | | | 9V6 | cocoa | | | |
| | 84A | guards red | | | | | D12 | dark grey/natural | | | |
| | 12H | speed yellow | | | | | T12 | brown/natural | | | |
| | B9A | carrara white | | | | (1) | 997 521 982 04 | backrest shell leather | /R 06- | 1 | IXSB/376/378 |
| | 92U | arctic silver metallic | | | | | A11 | black | | | |
| | M3W | carmon red metallic | | | | | 5X6 | stone grey | | | |
| | M5W | lapis blue metallic | | | | | 8G2 | sand beige | | | |
| | M6W | lagoon green metallic | | | | | 3S9 | sea blue | | | |
| | C9Z | basalt black metallic | | | | | 4P2 | palmgreen | | | |
| | M7X | atlas grey metallic | | | | | 9S5 | terracotta | | | |
| | 39C | midnight blue metallic | | | | | 9V6 | cocoa | | | |
| | 6B4 | seal grey metallic | | | | | D12 | dark grey/natural | | | |
| | 2B4 | forest green metallic | | | | | T12 | brown/natural | | | |
| | 3C8 | cobalt blue metallic | | | | (2) | 997 521 319 00 | bracket | /L | 1 | |
| | 23F | slate grey metallic | | | | 2 | 997 521 320 00 | bracket backrest side part | /R | 1 | |
| | M6X | dark olive-metallic | | | | 3 | 997 521 621 03 | rose locking lever | /L | 1 | I375/376 I377/378 |
| | M7Z | gt silver metallic | | | | | D07 | volcano grey | | | |
| (1) | 997 521 981 01 | backrest shell aluminium look | /L 06- | 1 | IXCG/375/377 | | D07 | volcano grey | | | |
| | V04 | galvano silver | | | | (3) | 997 521 622 03 | rose locking lever | /R | 1 | I375/376 I377/378 |
| (1) | 997 521 982 01 | backrest shell aluminium look | /R 06- | 1 | IXCG/376/378 | | D07 | volcano grey | | | |
| | V04 | galvano silver | | | | 4 | 997 521 623 02 | control button locking lever | /L | 1 | |
| (1) | 997 521 981 04 | backrest shell leather | /L 06- | 1 | IXSB/375/377 | | V05 | galvano silver | | | |
| | A11 | black | | | | (4) | 997 521 624 02 | control button locking lever | /R | 1 | |
| | 5X6 | stone grey | | | | | V05 | galvano silver | | | |
| | 8G2 | sand beige | | | | 5 | 997 521 313 01 | bag backrest shell | 05 | 2 | I375/376 I377/378 |
| | 3S9 | sea blue | | | | | 8YR | black | | | |
| | 4P2 | palmgreen | | | | | 5X5 | stone grey | | | |
| | 9S5 | terracotta | | | | | | | | | |

| | | | | | | | | | | | |
|-------|------|----|----|--------------|--------------|--------|------|------------|---------|-----|---------|
| Model | Year | MG | SG | Illustration | Restrictions | Update | 7:52 | 28.08.2006 | PORSCHE | PET | PORSCHE |
| 997 | 07 | 8 | 17 | 817-19 | | 203 | | | | | |

| Pos | Part Number | Name | Remarks | Qty | Model | Pos | Part Number | Name | Remarks | Qty | Model |
|-----|----------------|-------------------------------------|---------|-----|-------|-----|-------------|------|---------|-----|-------|
| | 8G1 | sand beige | | | | | | | | | |
| | 3S8 | sea blue | | | | | | | | | |
| | 4P1 | palmgreen | | | | | | | | | |
| | 9N2 | terracotta | | | | | | | | | |
| | 9Q3 | cocoa | | | | | | | | | |
| | D11 | dark grey/natural | | | | | | | | | |
| | T11 | brown/natural | | | | | | | | | |
| 6 | 997 521 373 01 | coat hook | 05- | 2 | | | | | | | |
| | D07 | volcano grey | | | | | | | | | |
| 7 | 999 919 199 09 | countersunk-head screw coat hook | | 1 | | | | | | | |
| 8 | 997 521 783 00 | bracket | /L | 1 | | | | | | | |
| (8) | 997 521 784 00 | bracket backrest shell | /R | 1 | | | | | | | |
| | | - - - E N D - - - | | | | | | | | | |

| | | | | | | | | | | | |
|-------|------|----|----|--------------|--------------|--------|------|------------|---------|-----|---------|
| Model | Year | MG | SG | Illustration | Restrictions | Update | 7:52 | 28.08.2006 | PORSCHE | PET | PORSCHE |
| 997 | 07 | 8 | 17 | 817-21 | | 203 | | | | | |

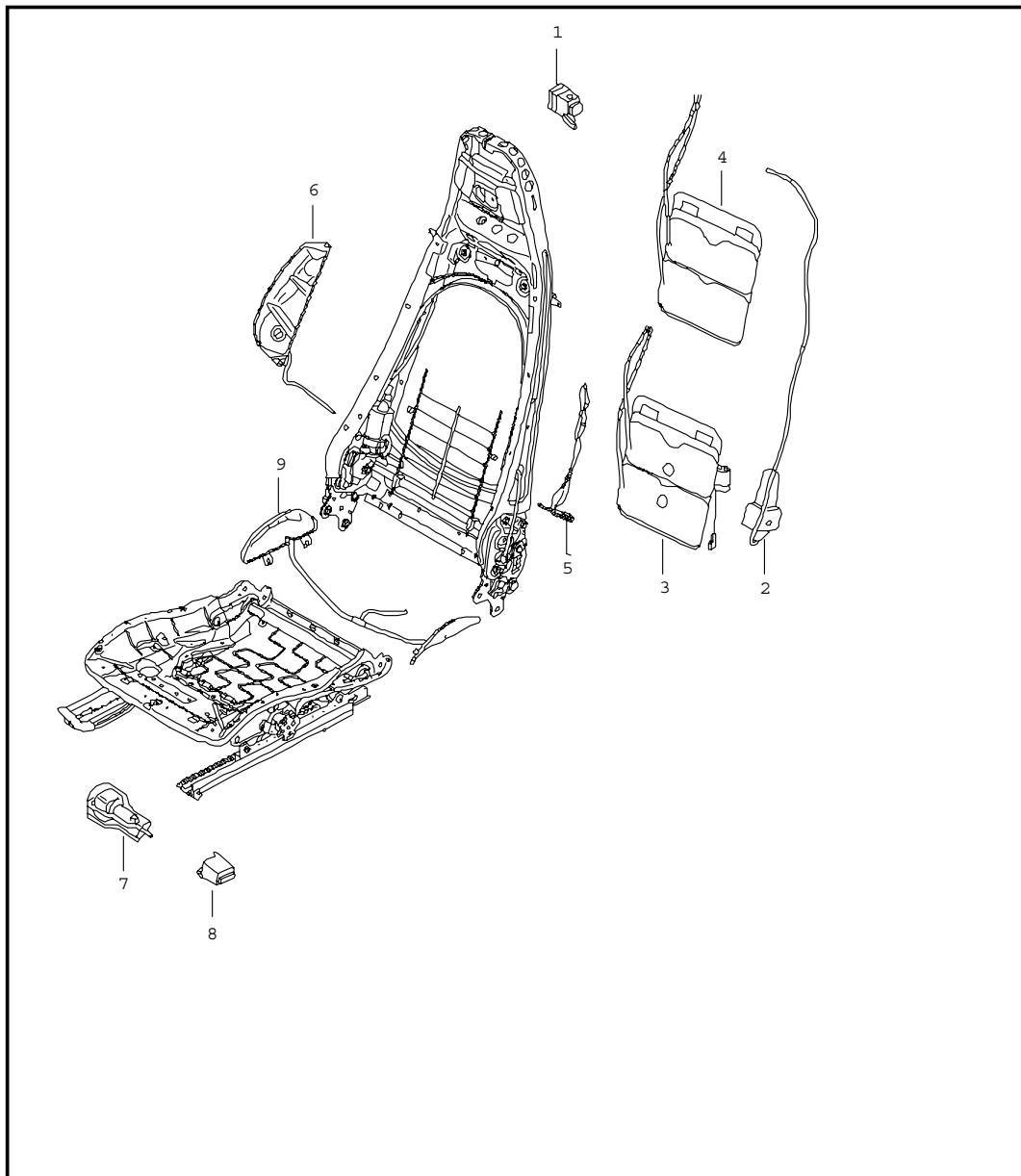


| Pos | Part Number | Name | Remarks | Qty | Model |
|-----|----------------|--|---------|-----|----------------------------|
| | | backrest frame sports seat | 05- | | CARRERA COUPE CABRIO |
| 1 | 997 521 329 00 | backrest frame without memory | /L/R | 2 | I375/376 I377/378 |
| (1) | 997 521 329 01 | backrest frame with memory | /L/R | 2 | I537/538 |
| 2 | 997 624 331 00 | electric motor backrest with memory | /L/R | 1 | I537/538 |
| (2) | 997 624 321 00 | electric motor backrest without memory | /L/R | 1 | I375/376 I377 378 |
| 3 | 997 612 785 01 | wiring harness | /L | 1 | I537 |
| (3) | 997 612 786 01 | wiring harness side airbag | /R | 1 | I538 |
| 4 | 997 803 081 01 | side airbag | /L | 1 | I375/377 |
| | | D07 volcano grey | | | |
| (4) | 997 803 082 01 | side airbag | /R | 1 | I376/378 |
| | | D07 volcano grey | | | |
| 5 | 997 521 485 00 | bowden cable backrest frame | | 2 | |
| 6 | 997 521 375 00 | release backrest frame | | 1 | |
| 7 | 997 521 855 00 | grille backrest frame | | 1 | |
| 8 | 997 521 893 00 | tension spring inner spring | | 2 | |
| 9 | 997 521 895 00 | clip inner spring | | 2 | |
| 10 | 997 521 797 00 | tension spring release backrest | | 1 | |
| 11 | 997 521 885 00 | foam part head rest upper | | 1 | I375/376 I377/378 |

| | | | | | | | | | | | |
|-------|------|----|----|--------------|--------------|--------|------|------------|---------|-----|---------|
| Model | Year | MG | SG | Illustration | Restrictions | Update | | | | | |
| 997 | 07 | 8 | 17 | 817-21 | | 203 | 7:52 | 28.08.2006 | PORSCHE | PET | PORSCHE |

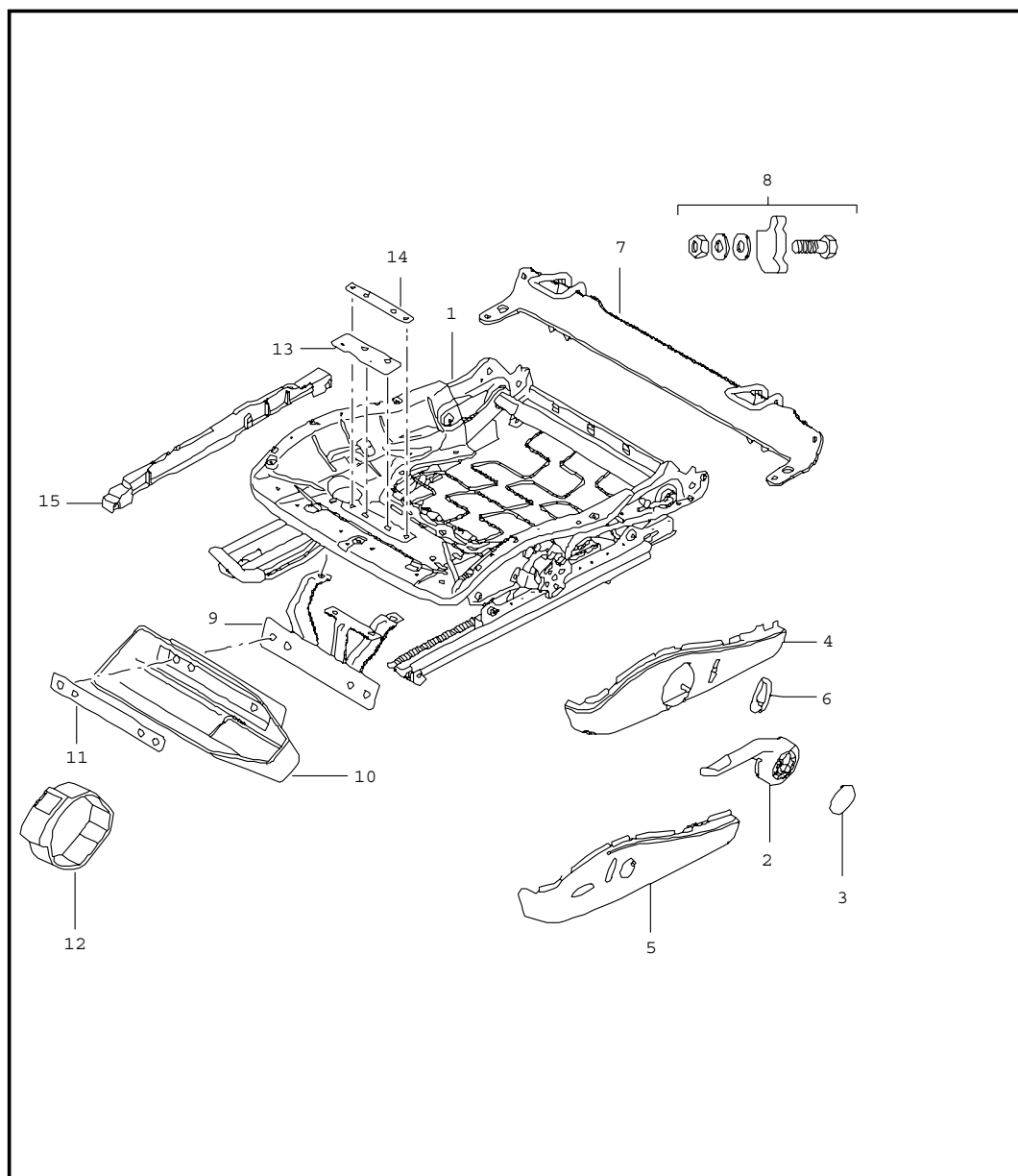
| Pos | Part Number | Name | Remarks | Qty | Model | Pos | Part Number | Name | Remarks | Qty | Model |
|------|----------------|--|---------|-----|----------|-----|-------------|------|---------|-----|-------|
| 12 | 997 521 887 01 | foam part head rest centre electric | | 1 | I377/378 | | | | | | |
| 13 | 997 521 887 00 | foam part head rest centre | | 1 | I375/376 | | | | | | |
| 14 | 997 521 335 01 | cover mounting component inner | /L | 1 | | | | | | | |
| | D07 | volcano grey | | | | | | | | | |
| (14) | 997 521 336 01 | cover mounting component inner | /R | 1 | | | | | | | |
| | D07 | volcano grey | | | | | | | | | |
| 15 | 999 073 375 09 | screw mount backrest seat adjuster | | 4 | | | | | | | |
| | | - - - E N D - - - | | | | | | | | | |

| | | | | | | | | | | | |
|-------|------|----|----|--------------|--------------|--------|------|------------|---------|-----|---------|
| Model | Year | MG | SG | Illustration | Restrictions | Update | 7:52 | 28.08.2006 | PORSCHE | PET | PORSCHE |
| 997 | 07 | 8 | 17 | 817-22 | | 203 | | | | | |



| Pos | Part Number | Name | Remarks | Qty | Model |
|-------------------|----------------|--|---------|-----|------------------------------|
| | | lumbar support | 05- | | CARRERA COUPE CABRIO |
| 1 | 997 617 725 00 | valve lumbar support without memory | | 1 | I377/378 I437/438 |
| (1) | 997 617 726 00 | valve lumbar support memory | | 1 | I537/538 |
| 2 | 997 620 725 00 | compressor lumbar | | 1 | I377/378 I437/438 |
| 3 | 997 521 709 01 | lumbar support memory | | 1 | I377/378/437 I438/537/538 |
| 4 | 997 521 709 00 | lumbar support without memory | | 1 | I377/378 I437/438 |
| 5 | 997 521 711 00 | container air distributor backrest side part | | 1 | I377/378 |
| 6 | 997 521 712 00 | container air distributor backrest side part | | 1 | I377/378 |
| 7 | 997 620 727 00 | compressor adjustment cushion | | 1 | I377/378 |
| 8 | 997 617 727 00 | valve adjustment seat wide | | 1 | I377/378 |
| 9 | 997 521 713 01 | container air distributor cushion | | 1 | I377/378 |
| - - - E N D - - - | | | | | |

| | | | | | | | | | | | |
|-------|------|----|----|--------------|--------------|--------|------|------------|---------|-----|---------|
| Model | Year | MG | SG | Illustration | Restrictions | Update | 7:53 | 28.08.2006 | PORSCHE | PET | PORSCHE |
| 997 | 07 | 8 | 17 | 817-23 | | 203 | | | | | |

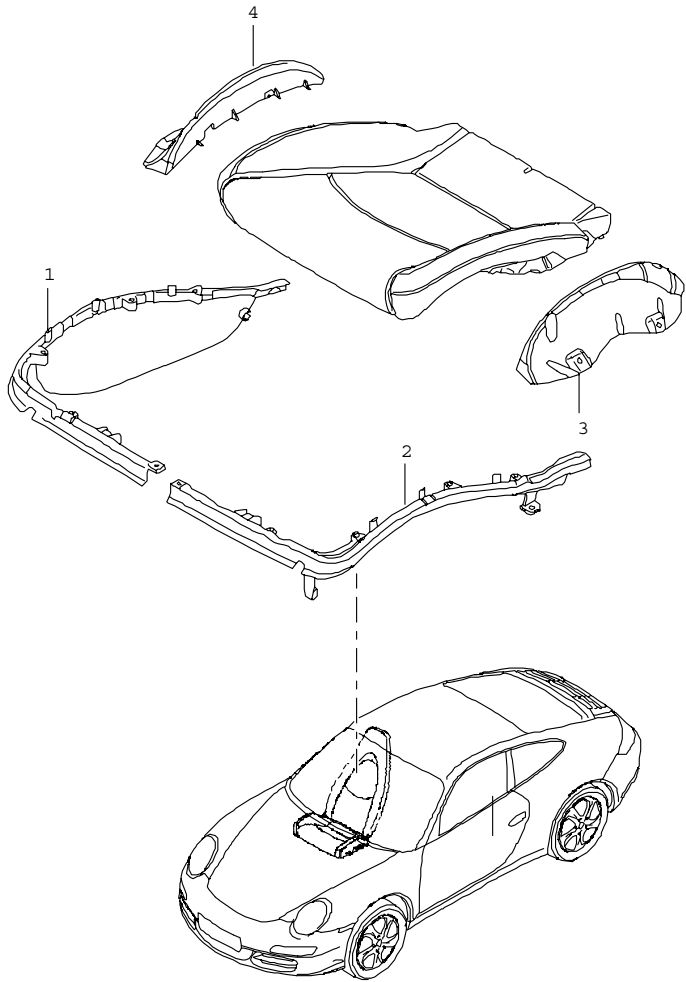


| Pos | Part Number | Name | Remarks | Qty | Model |
|-----|----------------|--|---------|-----|----------------------------|
| | | seat adjuster sports seat | 05- | | CARRERA COUPE CABRIO |
| 1 | 997 521 201 00 | seat adjuster manual left-hand drive driver's side | /L | 1 | I098/369/375 |
| 1 | 997 521 202 00 | seat adjuster manual right-hand drive driver's side | /R | 1 | I099/370/376 |
| 1 | 997 521 201 04 | seat adjuster electric without memory | /L | 1 | I377/437 |
| (1) | 997 521 201 05 | seat adjuster electric memory | /L | 1 | I377/437/537 |
| (1) | 997 521 202 10 | seat adjuster electric without memory without advancedairbag | /R | 1 | I378/438 |
| (1) | 997 521 202 11 | seat adjuster electric memory | /R | 1 | I378/438/538 |
| (1) | 997 521 201 03 | seat adjuster manual right-hand drive passenger's side | /L | 1 | I099/369/375 |
| (1) | 997 521 202 05 | seat adjuster manual left-hand drive passenger's side | /R | 1 | I098/370/376 |
| (1) | 997 521 202 06 | seat adjuster manual seat occupancy detection | 06- | 1 | I370/376/560 |
| (1) | 997 521 202 12 | seat adjuster electric seat occupancy detection | 06- | 1 | I378/438/560 |
| 2 | 997 521 627 01 | actuating lever height adjustment | /L | 1 | I369/375 |
| | V05 | galvano silver | | | |

| | | | | | | | | | | | |
|-------|------|----|----|--------------|--------------|--------|------|------------|---------|-----|---------|
| Model | Year | MG | SG | Illustration | Restrictions | Update | 7:53 | 28.08.2006 | PORSCHE | PET | PORSCHE |
| 997 | 07 | 8 | 17 | 817-23 | | 203 | | | | | |

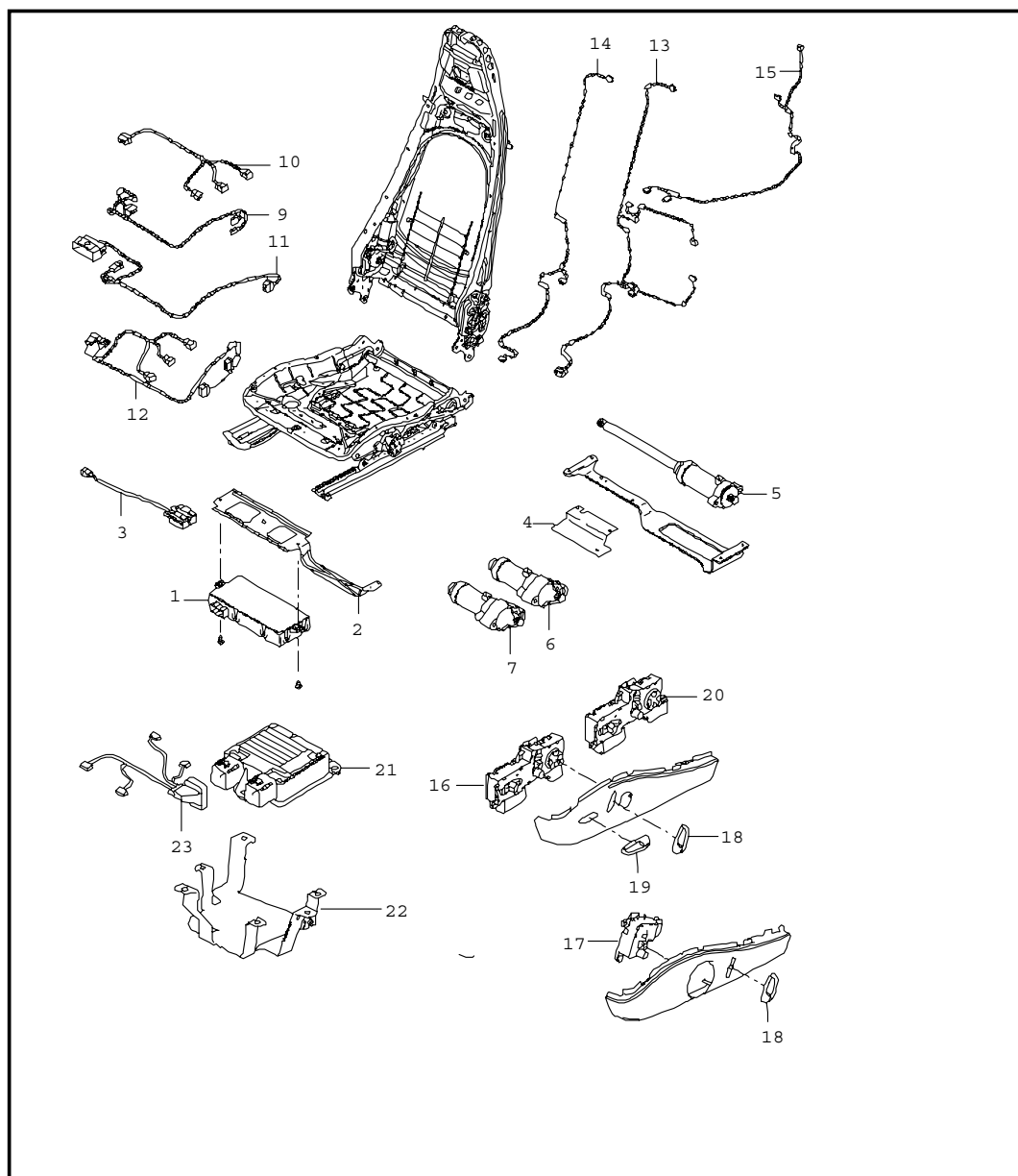
| Pos | Part Number | Name | Remarks | Qty | Model | Pos | Part Number | Name | Remarks | Qty | Model |
|-----|----------------|---|---------|-----|----------------------|------|----------------|--|---------|-----|--------------|
| (2) | 997 521 628 01 | actuating lever height adjustment | /R | 1 | I370/376 | (9) | 997 521 252 00 | support fire extinguisher | | 1 | I099/509 |
| | V05 | galvano silver | | | | 10 | 997 521 607 00 | cup fire extinguisher | | 1 | I509 |
| 3 | 997 521 629 01 | cap height adjustment | /L/R | 2 | I369/370 I375/376 | 11 | 997 521 881 00 | support cup fire extinguisher | | 1 | I509 |
| | D07 | volcano grey | | | | 12 | 997 521 851 00 | restraining strap fire extinguisher | | 1 | I509 |
| 4 | 997 521 325 06 | trim for switch | /L | 1 | I369/375 | 13 | 997 521 841 00 | reinforcement front | | 1 | I509 |
| | D07 | volcano grey without advancedairbag | | | | 14 | 997 521 843 00 | reinforcement rear | | 1 | I509 |
| (4) | 997 521 326 06 | trim for switch | /R | 1 | I370/376 | 15 | 997 521 427 01 | cover sensor weight | /L 06- | 1 | I376/378/560 |
| | D07 | volcano grey without advancedairbag | | | | | 01C | satin black | | | |
| 5 | 997 521 325 08 | trim for switch elect. backrest adjustment | /L | 1 | I377 | (15) | 997 521 426 01 | cover sensor weight | /R 06- | 1 | I376/378/560 |
| | D07 | volcano grey | | | | | 01C | satin black | | | |
| (5) | 997 521 326 08 | trim for switch elect. backrest adjustment | /R | 1 | I378 | (16) | 999 141 047 01 | torx screw seat rail mount | | 4 | |
| | D07 | volcano grey | | | | | | - - - E N D - - - | | | |
| (5) | 997 521 326 09 | trim for switch advancedairbag | /R 06- | 1 | I370/376/560 | | | | | | |
| | D07 | volcano grey | | | | | | | | | |
| (5) | 997 521 326 11 | trim for switch advancedairbag | /R 06- | 1 | I378/560 | | | | | | |
| | D07 | volcano grey | | | | | | | | | |
| 6 | 997 521 631 01 | control button backrest | | 1 | I375/376 I377/378 | | | | | | |
| | V05 | galvano silver | | | | | | | | | |
| 7 | 997 521 061 01 | retaining bow child car seat retaining bow not for AUSTRALIEN | | 1 | | | | | | | |
| 8 | 997 521 961 01 | set of fastening parts retaining bow | | 1 | | | | | | | |
| 9 | 997 521 251 00 | support fire extinguisher | | 1 | I098/509 | | | | | | |

| | | | | | | | | | | | |
|-------|------|----|----|--------------|--------------|--------|------|------------|---------|-----|---------|
| Model | Year | MG | SG | Illustration | Restrictions | Update | 7:53 | 28.08.2006 | PORSCHE | PET | PORSCHE |
| 997 | 07 | 8 | 17 | 817-24 | | 203 | | | | | |



| Pos | Part Number | Name | Remarks | Qty | Model |
|-------------------|----------------|---|---------|-----|----------------------------|
| | | cushion carrier frame seat surface sports seat | 05- | | CARRERA COUPE CABRIO |
| 1 | 997 521 547 00 | frame inner left | /L | 1 | I376/378 |
| (1) | 997 521 548 00 | frame inner right | /R | 1 | I375/377 |
| 2 | 997 521 545 00 | frame outer left | /L | 1 | I375/377 |
| (2) | 997 521 546 00 | frame outer right | /R | 1 | I376/378 |
| 3 | 997 521 519 00 | supporting plate seat cushion | /L | 1 | I377/378 |
| 4 | 997 521 520 00 | supporting plate seat cushion | /R | 1 | 377/378 |
| - | 997 521 546 01 | frame outer with advancedairbag | /R 06- | 1 | I376/378/560 |
| - - - E N D - - - | | | | | |

| | | | | | | | | | | | |
|-------|------|----|----|--------------|--------------|--------|------|------------|---------|-----|---------|
| Model | Year | MG | SG | Illustration | Restrictions | Update | 7:53 | 28.08.2006 | PORSCHE | PET | PORSCHE |
| 997 | 07 | 8 | 17 | 817-25 | | 203 | | | | | |

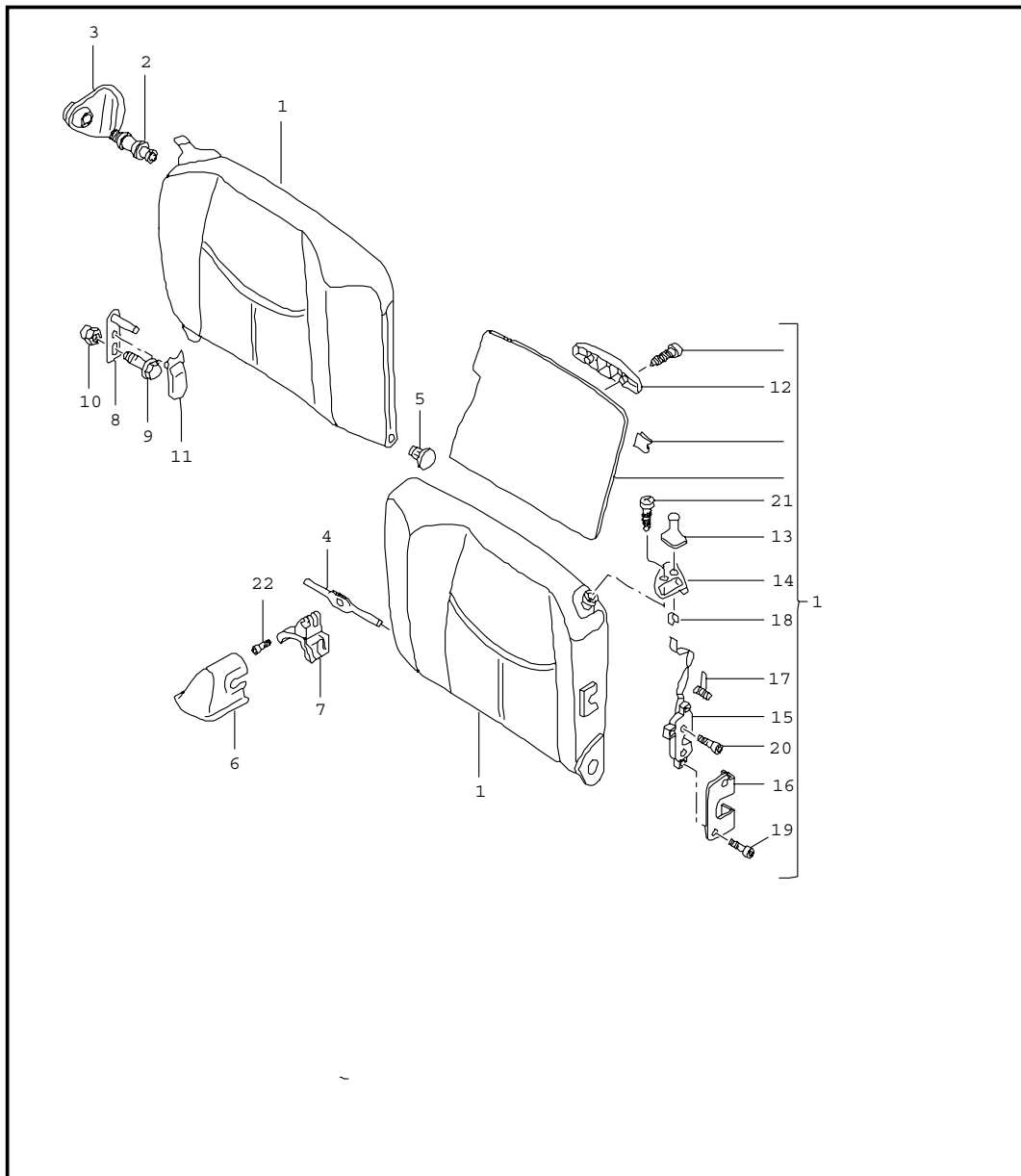


| Pos | Part Number | Name | Remarks | Qty | Model |
|-----|----------------|---|---------|-----|------------------------------|
| | | harnesses switch control unit electric motor sports seat | 05- | | CARRERA COUPE CABRIO |
| 1 | 997 618 537 07 | control unit seating position control | | 1 | I537/538 |
| 2 | 997 521 643 00 | support control unit seating position control | | 1 | I377/378/437 I438/537/538 |
| 3 | 997 613 725 00 | switch seat adjuster | | 1 | I377 |
| | | V05 galvano silver | | | |
| (3) | 997 613 726 00 | switch seat adjuster | | 1 | I378 |
| | | V05 galvano silver | | | |
| 4 | 997 521 343 00 | support electric motor | | 1 | I377/378 |
| 5 | 997 624 322 00 | electric motor seat adjuster lengthways height adjustment without memory | | 1 | I377/378 I437/438 |
| (5) | 997 624 332 00 | electric motor seat adjuster lengthways height adjustment memory | | 1 | I537/538 |
| 6 | 997 624 323 00 | electric motor seat adjuster tilt without memory | | 1 | I377/378 I437/438 |
| 7 | 997 624 333 00 | electric motor seat adjuster memory tilt | | 1 | I537/538 |
| 9 | 997 612 684 00 | wiring harness switch seat adjuster memory | | 1 | I537/538 |

| | | | | | | | | | | | |
|-------|------|----|----|--------------|--------------|--------|------|------------|---------|-----|---------|
| Model | Year | MG | SG | Illustration | Restrictions | Update | 7:53 | 28.08.2006 | PORSCHE | PET | PORSCHE |
| 997 | 07 | 8 | 17 | 817-25 | | 203 | | | | | |

| Pos | Part Number | Name | Remarks | Qty | Model | Pos | Part Number | Name | Remarks | Qty | Model |
|------|----------------|---|---------|-----|----------------------|------|----------------|---|---------|-----|--------------------------|
| 10 | 997 612 690 00 | wiring harness lengthways height adjustment memory | | 1 | I537/538 | 19 | 997 521 633 02 | control button seat cushion | | 1 | I377/378 I437/438 |
| | | | | | | | V05 | galvano silver | | | |
| 11 | 997 612 682 01 | wiring harness switch | | 1 | I369/370 I375/376 | 20 | 997 613 717 01 | switch seat adjuster without memory | /L | 1 | I377/437 |
| 12 | 997 612 691 01 | wiring harness switch without memory | | 1 | I377/378 | | V05 | galvano silver | | | |
| 13 | 997 612 689 00 | wiring harness lumbar support without memory | | 1 | I377/378 I437/438 | (20) | 997 613 718 01 | switch seat adjuster without memory | /R | 1 | I378/438 |
| | | | | | | | V05 | galvano silver | | | |
| 14 | 997 612 692 00 | wiring harness backrest lumbar with memory | | 1 | I377/378 I537/538 | (21) | 997 618 233 05 | control unit seat occupancy detection | 06- | 1 | I370/376/378 I438/560 |
| 15 | 997 612 685 01 | wiring harness backrest without memory | | 1 | I369/375 I377/437 | (22) | 997 521 646 00 | support control unit seat occupancy detection | 06- | 1 | I370/376/378 I438/560 |
| (15) | 997 612 686 01 | wiring harness backrest without memory | | 1 | I370/376 I378/438 | 23 | 997 612 688 00 | wiring harness seat occupancy detection | 06- | 1 | I370/376/378 I438/560 |
| | | | | | | | | - - - E N D - - - | | | |
| 16 | 997 613 721 01 | switch seat adjuster memory switch | /L | 1 | I377/437/537 | | | | | | |
| | V05 | galvano silver | | | | | | | | | |
| (16) | 997 613 722 01 | switch seat adjuster memory switch | /R | 1 | I378/438/538 | | | | | | |
| | V05 | galvano silver | | | | | | | | | |
| 17 | 997 613 713 00 | switch | /L | 1 | I369/375 | | | | | | |
| (17) | 997 613 714 00 | switch seat adjuster manually adjustable | /R | 1 | I370/376 | | | | | | |
| 18 | 997 521 631 01 | control button backrest | | 1 | I375/376 I377/378 | | | | | | |
| | V05 | galvano silver | | | | | | | | | |

| | | | | | | | | | | | |
|-------|------|----|----|--------------|--------------|--------|------|------------|---------|-----|---------|
| Model | Year | MG | SG | Illustration | Restrictions | Update | 7:53 | 28.08.2006 | PORSCHE | PET | PORSCHE |
| 997 | 07 | 8 | 17 | 817-40 | | 203 | | | | | |



| Pos | Part Number | Name | Remarks | Qty | Model |
|-----|----------------|--------------------|---------|-----|---------------|
| | | back seat backrest | 05- | | CARRERA COUPE |
| 1 | 997 522 011 06 | back seat backrest | /L | 1 | I685/937 |
| | 5Q2 | black | | | |
| | 8X4 | stone grey | | | |
| | 5S4 | sand beige | | | |
| | 8W3 | sea blue | | | |
| | 5Y5 | palmgreen | | | |
| (1) | 997 522 012 06 | back seat backrest | /R | 1 | I685/937 |
| | 5Q2 | black | | | |
| | 8X4 | stone grey | | | |
| | 5S4 | sand beige | | | |
| | 8W3 | sea blue | | | |
| | 5Y5 | palmgreen | | | |
| (1) | 997 522 011 07 | back seat backrest | /L | 1 | I685/936 |
| | 8YR | black | | | |
| | 5X5 | stone grey | | | |
| | 8G1 | sand beige | | | |
| | 3S8 | sea blue | | | |
| | 4P1 | palmgreen | | | |
| | 9N2 | terracotta | | | |
| | 9Q3 | cocoa | | | |
| | D11 | dark grey/natural | | | |
| | T11 | brown/natural | | | |
| (1) | 997 522 012 07 | back seat backrest | /R | 1 | I685/936 |
| | 8YR | black | | | |
| | 5X5 | stone grey | | | |
| | 8G1 | sand beige | | | |
| | 3S8 | sea blue | | | |
| | 4P1 | palmgreen | | | |

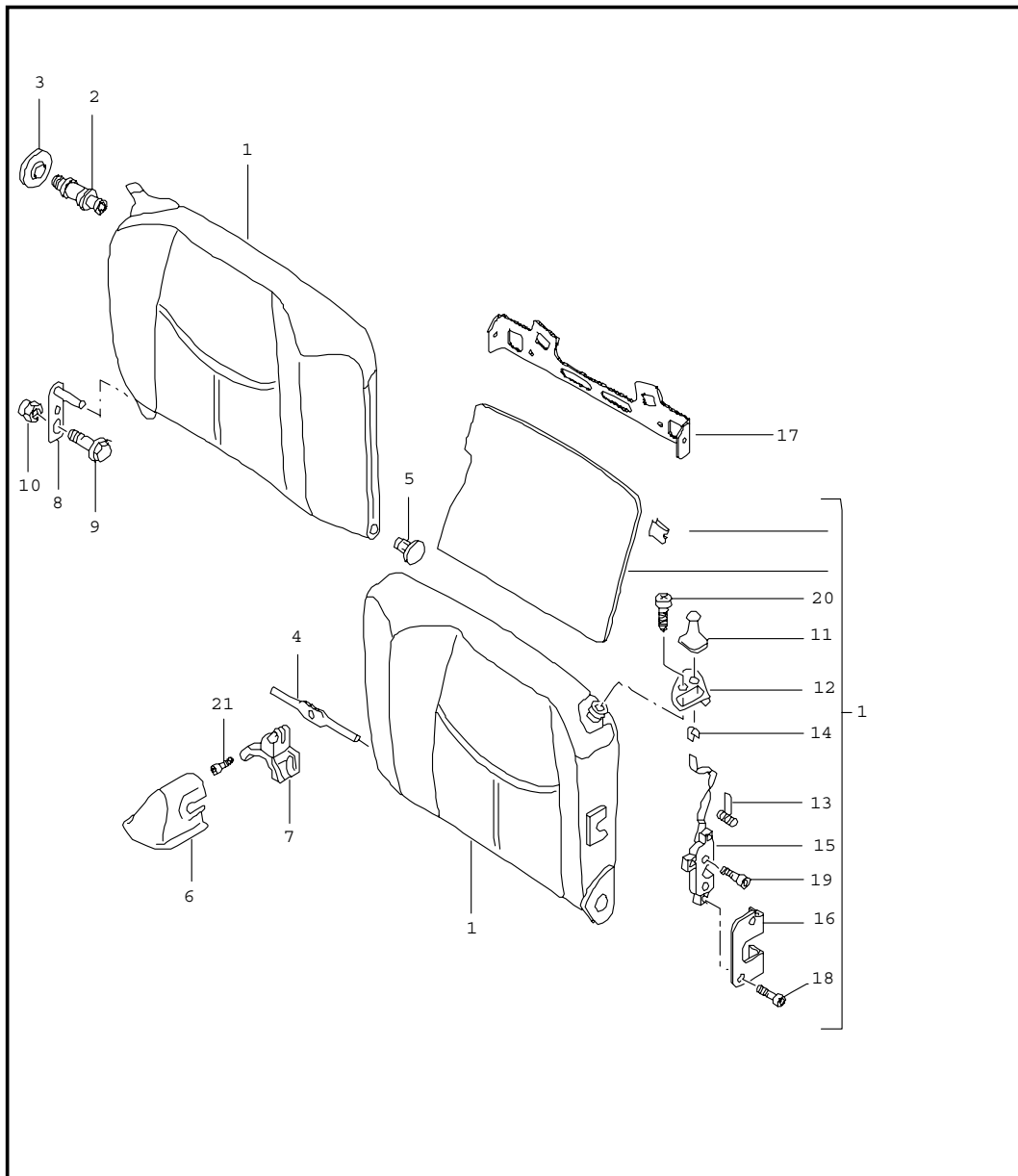
| | | | | | | | | | | | |
|-------|------|----|----|--------------|--------------|--------|------|------------|---------|-----|---------|
| Model | Year | MG | SG | Illustration | Restrictions | Update | 7:53 | 28.08.2006 | PORSCHE | PET | PORSCHE |
| 997 | 07 | 8 | 17 | 817-40 | | 203 | | | | | |

| Pos | Part Number | Name | Remarks | Qty | Model | Pos | Part Number | Name | Remarks | Qty | Model |
|-----|----------------|---------------------|---------|-----|----------|------|----------------|--------------------------|---------|-----|-------|
| | 9N2 | terracotta | | | | 4 | 996 522 615 01 | shaft | | 1 | I685 |
| | 9Q3 | cocoa | | | | 5 | 996 522 571 00 | protection washer | | 1 | I685 |
| | D11 | dark grey/natural | | | | | 01C | satin black | | | |
| | T11 | brown/natural | | | | 6 | 996 522 431 02 | cover | | 1 | I685 |
| (1) | 997 522 011 08 | back seat backrest | /L | 1 | I685/939 | | 01C | satin black | | | |
| | 8YR | black | | | | 7 | 996 522 333 00 | bracket | | 1 | I685 |
| | 5X5 | stone grey | | | | 8 | 996 522 211 01 | bearing outer | | 2 | I685 |
| | 8G1 | sand beige | | | | 9 | 999 073 138 09 | screw M 8 X 25 | | 2 | |
| | 3S8 | sea blue | | | | 10 | 996 522 271 00 | bush | | 2 | I685 |
| | 4P1 | palmgreen | | | | 11 | 996 522 425 01 | cover | | 1 | I685 |
| | 9N2 | terracotta | | | | | 01C | satin black | | | |
| | 9Q3 | cocoa | | | | 12 | 996 522 421 00 | stop backrest | | 2 | I685 |
| | D11 | dark grey/natural | | | | | 01C | satin black | | | |
| (1) | 997 522 012 08 | back seat backrest | /R | 1 | I685/939 | 13 | 997 522 321 00 | actuating lever backrest | /L | 1 | I685 |
| | 8YR | black | | | | | 01C | satin black | | | |
| | 5X5 | stone grey | | | | (13) | 997 522 322 00 | actuating lever backrest | /R | 1 | I685 |
| | 8G1 | sand beige | | | | | 01C | satin black | | | |
| | 3S8 | sea blue | | | | 14 | 996 522 315 00 | rose control button | /L | 1 | I685 |
| | 4P1 | palmgreen | | | | | 01C | satin black | | | |
| | 9N2 | terracotta | | | | (14) | 996 522 316 00 | rose control button | /R | 1 | I685 |
| | 9Q3 | cocoa | | | | | 01C | satin black | | | |
| | D11 | dark grey/natural | | | | 15 | 996 522 281 02 | lock | /L | 1 | |
| | T11 | brown/natural | | | | (15) | 996 522 282 02 | lock backrest | /R | 1 | |
| 2 | 996 522 267 06 | bolt locking device | /L/R | 2 | I685 | 16 | 996 522 771 00 | cover lock | /L | 1 | |
| 3 | 997 522 095 00 | stop | /L | 1 | I685 | | 01C | satin black | | | |
| | 01C | satin black | | | | | | | | | |
| (3) | 997 522 096 00 | stop | /R | 1 | I685 | | 01C | satin black | | | |
| | 01C | satin black | | | | | | | | | |

| | | | | | | | | | | | |
|-------|------|----|----|--------------|--------------|--------|------|------------|---------|-----|---------|
| Model | Year | MG | SG | Illustration | Restrictions | Update | | | | | |
| 997 | 07 | 8 | 17 | 817-40 | | 203 | 7:53 | 28.08.2006 | PORSCHE | PET | PORSCHE |

| Pos | Part Number | Name | Remarks | Qty | Model | Pos | Part Number | Name | Remarks | Qty | Model |
|------|----------------|------------------------------------|---------|-----|-------|-----|-------------|------|---------|-----|-------|
| (16) | 996 522 772 00 | cover lock | /R | 1 | | | | | | | |
| | 01C | satin black | | | | | | | | | |
| 17 | 996 522 653 00 | spring lock | | 2 | | | | | | | |
| 18 | 999 507 630 01 | clamp control button | | 2 | | | | | | | |
| 19 | 999 073 049 02 | tapping screw ST 3,5 X 16 | | 4 | I685 | | | | | | |
| 20 | 900 269 028 02 | countersunk-head screw M 8 X 30 | | 4 | I685 | | | | | | |
| 21 | 900 145 041 07 | tapping screw B 3,5 X 16 | | 4 | I685 | | | | | | |
| 22 | 900 067 358 09 | screw M 5 X 16 | | 1 | I685 | | | | | | |
| | | - - - E N D - - - | | | | | | | | | |

| | | | | | | | | | | | |
|-------|------|----|----|--------------|--------------|--------|------|------------|---------|-----|---------|
| Model | Year | MG | SG | Illustration | Restrictions | Update | 7:54 | 28.08.2006 | PORSCHE | PET | PORSCHE |
| 997 | 07 | 8 | 17 | 817-44 | | 203 | | | | | |



| Pos | Part Number | Name | Remarks | Qty | Model |
|-----|----------------|--------------------|---------|-----|----------------|
| | | back seat backrest | 05- | | CARRERA CABRIO |
| 1 | 997 522 011 09 | back seat backrest | /L | 1 | I685/937 |
| | 5Q2 | black | | | |
| | 8X4 | stone grey | | | |
| | 5S4 | sand beige | | | |
| | 8W3 | sea blue | | | |
| | 5Y5 | palmgreen | | | |
| (1) | 997 522 012 09 | back seat backrest | /R | 1 | I685/937 |
| | 5Q2 | black | | | |
| | 8X4 | stone grey | | | |
| | 5S4 | sand beige | | | |
| | 8W3 | sea blue | | | |
| | 5Y5 | palmgreen | | | |
| (1) | 997 522 011 10 | back seat backrest | /L | 1 | I685/936 |
| | 8YR | black | | | |
| | 5X5 | stone grey | | | |
| | 8G1 | sand beige | | | |
| | 3S8 | sea blue | | | |
| | 4P1 | palmgreen | | | |
| | 9N2 | terracotta | | | |
| | 9Q3 | cocoa | | | |
| | D11 | dark grey/natural | | | |
| | T11 | brown/natural | | | |
| (1) | 997 522 012 10 | back seat backrest | /R | 1 | I685/936 |
| | 8YR | black | | | |
| | 5X5 | stone grey | | | |
| | 8G1 | sand beige | | | |
| | 3S8 | sea blue | | | |
| | 4P1 | palmgreen | | | |

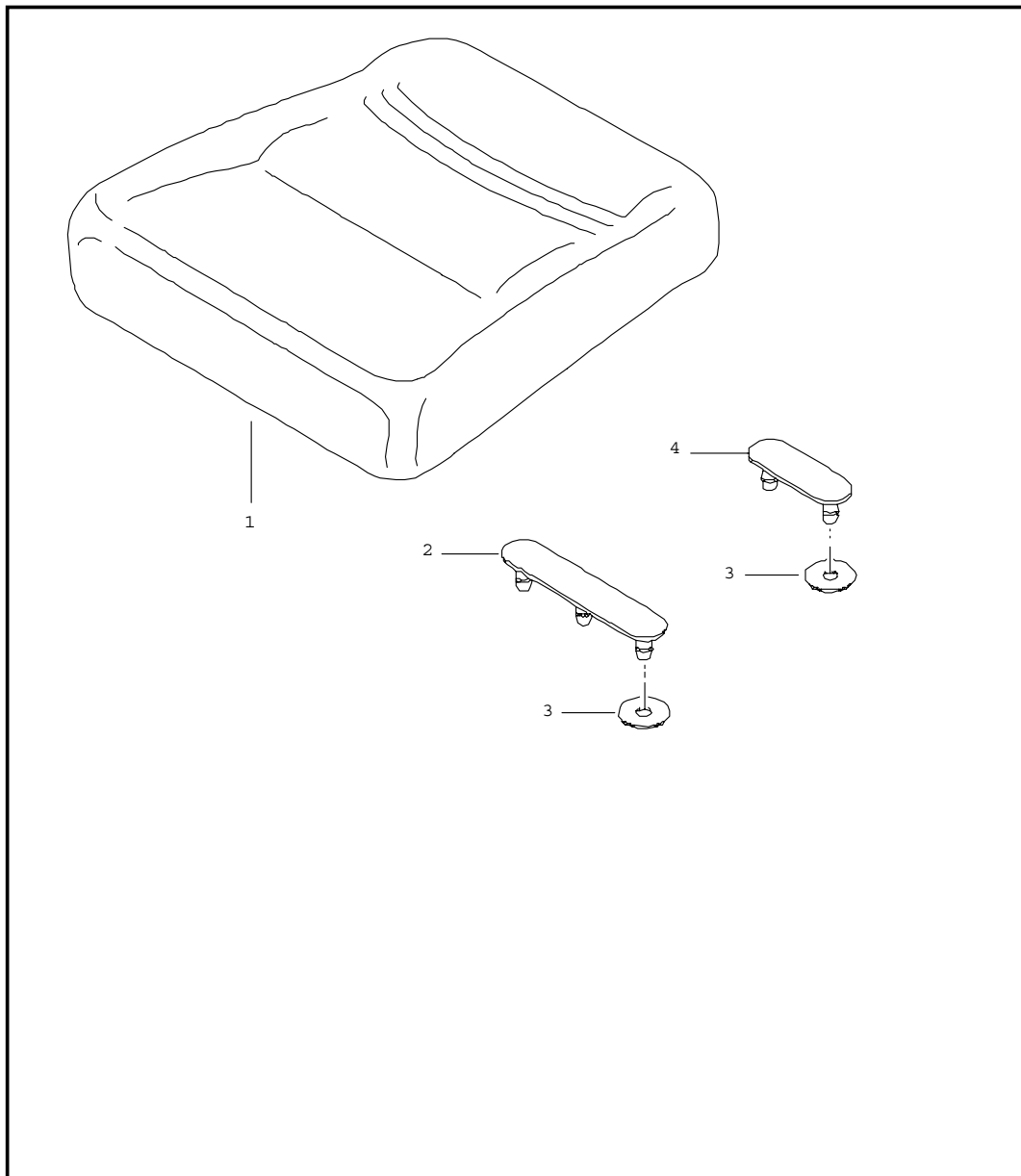
| | | | | | | | | | | | |
|-------|------|----|----|--------------|--------------|--------|------|------------|---------|-----|---------|
| Model | Year | MG | SG | Illustration | Restrictions | Update | 7:54 | 28.08.2006 | PORSCHE | PET | PORSCHE |
| 997 | 07 | 8 | 17 | 817-44 | | 203 | | | | | |

| Pos | Part Number | Name | Remarks | Qty | Model | Pos | Part Number | Name | Remarks | Qty | Model |
|-----|----------------|------------------------|---------|-----|----------|------|----------------|---|---------|-----|----------|
| | 9N2 | terracotta | | | | | 01C | satin black | | | |
| | 9Q3 | cocoa | | | | 6 | 996 522 431 02 | cover | | 1 | I685 |
| | D11 | dark grey/natural | | | | | 01C | satin black | | | |
| | T11 | brown/natural | | | | 7 | 996 522 041 00 | bearing | | 1 | |
| (1) | 997 522 011 11 | back seat backrest | /L | 1 | I685/939 | 8 | 996 522 211 01 | bearing outer | /L/R | 2 | I685 |
| | 8YR | black | | | | 9 | 999 073 138 09 | screw M 8 X 25 | | 2 | |
| | 5X5 | stone grey | | | | 10 | 996 522 271 00 | bush | /L/R | 2 | I685 |
| | 8G1 | sand beige | | | | 11 | 997 522 321 00 | actuating lever | /L | 1 | I685 |
| | 3S8 | sea blue | | | | | 01C | satin black | | | |
| | 4P1 | palmgreen | | | | (11) | 997 522 322 00 | actuating lever | /R | 1 | I685 |
| | 9N2 | terracotta | | | | | 01C | satin black | | | |
| | 9Q3 | cocoa | | | | 12 | 996 522 315 00 | rose | /L | 1 | I685 |
| | D11 | dark grey/natural | | | | | 01C | satin black | | | |
| (1) | 997 522 012 11 | back seat backrest | /R | 1 | I685/939 | (12) | 996 522 316 00 | rose | /R | 1 | I685 |
| | 8YR | black | | | | | 01C | satin black | | | |
| | 5X5 | stone grey | | | | 13 | 996 522 653 00 | spring lock | /L/R | 2 | I685 |
| | 8G1 | sand beige | | | | 14 | 999 507 630 01 | clamp control button | | 2 | |
| | 3S8 | sea blue | | | | 15 | 996 522 281 02 | lock | /L | 1 | I685 |
| | 4P1 | palmgreen | | | | (15) | 996 522 282 02 | lock backrest | /R | 1 | I685 |
| | 9N2 | terracotta | | | | 16 | 996 522 771 00 | cover | /L | 1 | I685 |
| | 9Q3 | cocoa | | | | | 01C | satin black | | | |
| | D11 | dark grey/natural | | | | (16) | 996 522 772 00 | cover | /R | 1 | I685 |
| | T11 | brown/natural | | | | | 01C | satin black | | | |
| 2 | 996 522 267 07 | bolt locking device | /L/R | 2 | I685 | | | | | | |
| 3 | 996 522 097 08 | rose | /L/R | 2 | I685 | 17 | 997 803 721 00 | support child car seat filler plate back seat backrest | | 1 | I335/479 |
| | 01C | satin black | | | | | | | | | |
| 4 | 996 522 615 01 | shaft | | 1 | I685 | 18 | 999 073 049 02 | tapping screw ST 4,3 X 16 | | 4 | I685 |
| 5 | 996 522 571 00 | protection washer | | 1 | I685 | | | | | | |

| | | | | | | | | | | | |
|-------|------|----|----|--------------|--------------|--------|------|------------|---------|-----|---------|
| Model | Year | MG | SG | Illustration | Restrictions | Update | | | | | |
| 997 | 07 | 8 | 17 | 817-44 | | 203 | 7:54 | 28.08.2006 | PORSCHE | PET | PORSCHE |

| Pos | Part Number | Name | Remarks | Qty | Model | Pos | Part Number | Name | Remarks | Qty | Model |
|-----|----------------|------------------------------------|---------|-----|-------|-----|-------------|------|---------|-----|-------|
| 19 | 900 269 028 02 | countersunk-head screw M 8 X 30 | | 4 | I685 | | | | | | |
| 20 | 900 145 041 07 | tapping screw B 3,5 X 16 | | 4 | I685 | | | | | | |
| 21 | 900 067 358 09 | screw M 5 X 16 | | 1 | I685 | | | | | | |
| | | - - - E N D - - - | | | | | | | | | |

| | | | | | | | | | | | |
|-------|------|----|----|--------------|--------------|--------|------|------------|---------|-----|---------|
| Model | Year | MG | SG | Illustration | Restrictions | Update | 7:54 | 28.08.2006 | PORSCHE | PET | PORSCHE |
| 997 | 07 | 8 | 17 | 817-50 | | 203 | | | | | |

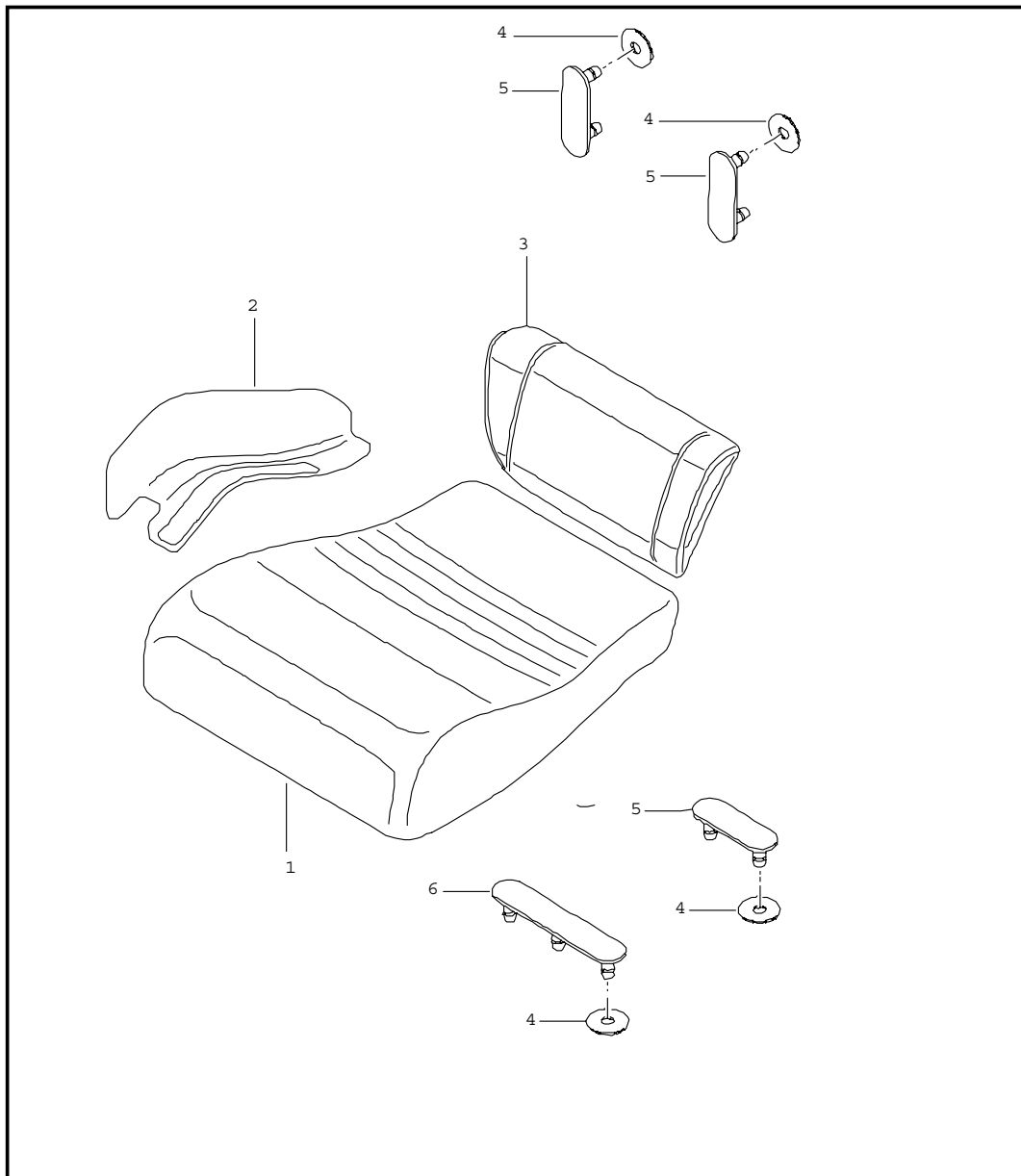


| Pos | Part Number | Name | Remarks | Qty | Model |
|-----|----------------|-------------------|---------|-----|---------------|
| | | back seat cushion | 05- | | CARRERA COUPE |
| 1 | 997 522 051 00 | back seat cushion | /L | 1 | I685/937 |
| | 5Q2 | black | | | |
| | 8X4 | stone grey | | | |
| | 5S4 | sand beige | | | |
| | 8W3 | sea blue | | | |
| | 5Y5 | palmgreen | | | |
| (1) | 997 522 052 00 | back seat cushion | /R | 1 | I685/937 |
| | 5Q2 | black | | | |
| | 8X4 | stone grey | | | |
| | 5S4 | sand beige | | | |
| | 8W3 | sea blue | | | |
| | 5Y5 | palmgreen | | | |
| (1) | 997 522 051 01 | back seat cushion | /L | 1 | I685/936 |
| | 8YR | black | | | |
| | 5X5 | stone grey | | | |
| | 8G1 | sand beige | | | |
| | 3S8 | sea blue | | | |
| | 4P1 | palmgreen | | | |
| | 9N2 | terracotta | | | |
| | 9Q3 | cocoa | | | |
| | D11 | dark grey/natural | | | |
| | T11 | brown/natural | | | |
| (1) | 997 522 052 01 | back seat cushion | /R | 1 | I685/936 |
| | 8YR | black | | | |
| | 5X5 | stone grey | | | |
| | 8G1 | sand beige | | | |
| | 3S8 | sea blue | | | |
| | 4P1 | palmgreen | | | |

| | | | | | | | | | | | |
|-------|------|----|----|--------------|--------------|--------|------|------------|---------|-----|---------|
| Model | Year | MG | SG | Illustration | Restrictions | Update | | | | | |
| 997 | 07 | 8 | 17 | 817-50 | | 203 | 7:54 | 28.08.2006 | PORSCHE | PET | PORSCHE |

| Pos | Part Number | Name | Remarks | Qty | Model | Pos | Part Number | Name | Remarks | Qty | Model |
|-----|----------------|-----------------------|---------|-----|----------|-----|-------------|------|---------|-----|-------|
| | | 9N2 terracotta | | | | | | | | | |
| | | 9Q3 cocoa | | | | | | | | | |
| | | D11 dark grey/natural | | | | | | | | | |
| | | T11 brown/natural | | | | | | | | | |
| (1) | 997 522 051 02 | back seat cushion | /L | 1 | I685/939 | | | | | | |
| | | 8YR black | | | | | | | | | |
| | | 5X5 stone grey | | | | | | | | | |
| | | 8G1 sand beige | | | | | | | | | |
| | | 3S8 sea blue | | | | | | | | | |
| | | 4P1 palmgreen | | | | | | | | | |
| | | 9N2 terracotta | | | | | | | | | |
| | | 9Q3 cocoa | | | | | | | | | |
| | | D11 dark grey/natural | | | | | | | | | |
| | | T11 brown/natural | | | | | | | | | |
| (1) | 997 522 052 02 | back seat cushion | /R | 1 | I685/939 | | | | | | |
| | | 8YR black | | | | | | | | | |
| | | 5X5 stone grey | | | | | | | | | |
| | | 8G1 sand beige | | | | | | | | | |
| | | 3S8 sea blue | | | | | | | | | |
| | | 4P1 palmgreen | | | | | | | | | |
| | | 9N2 terracotta | | | | | | | | | |
| | | 9Q3 cocoa | | | | | | | | | |
| | | D11 dark grey/natural | | | | | | | | | |
| | | T11 brown/natural | | | | | | | | | |
| 2 | 997 551 893 00 | clip triple | | X | I685 | | | | | | |
| 3 | 996 522 897 00 | clips nut | -06 | X | I685 | | | | | | |
| 4 | 997 551 895 00 | clip double | | X | I685 | | | | | | |
| | | - - - E N D - - - | | | | | | | | | |

| | | | | | | | | | | | |
|-------|------|----|----|--------------|--------------|--------|------|------------|---------|-----|---------|
| Model | Year | MG | SG | Illustration | Restrictions | Update | 7:54 | 28.08.2006 | PORSCHE | PET | PORSCHE |
| 997 | 07 | 8 | 17 | 817-54 | | 203 | | | | | |



| Pos | Part Number | Name | Remarks | Qty | Model |
|-----|----------------|---|---------|-----|-------------------|
| | | back seat cushion | 05- | | CARRERA CABRIO |
| 1 | 997 522 051 03 | back seat cushion not for version for japan | /L | 1 | I685/937 |
| | 5Q2 | black | | | |
| | 8X4 | stone grey | | | |
| | 5S4 | sand beige | | | |
| | 8W3 | sea blue | | | |
| | 5Y5 | palmgreen | | | |
| (1) | 997 522 052 03 | back seat cushion not for version for japan | /R | 1 | I685/937 |
| | 5Q2 | black | | | |
| | 8X4 | stone grey | | | |
| | 5S4 | sand beige | | | |
| | 8W3 | sea blue | | | |
| | 5Y5 | palmgreen | | | |
| (1) | 997 522 051 04 | back seat cushion not for version for japan | /L | 1 | I685/936 |
| | 8YR | black | | | |
| | 5X5 | stone grey | | | |
| | 8G1 | sand beige | | | |
| | 3S8 | sea blue | | | |
| | 4P1 | palmgreen | | | |
| | 9N2 | terracotta | | | |
| | 9Q3 | cocoa | | | |
| | D11 | dark grey/natural | | | |
| | T11 | brown/natural | | | |
| (1) | 997 522 052 04 | back seat cushion not for version for japan | /R | 1 | I685/936 |
| | 8YR | black | | | |

| | | | | | | | | | | | |
|-------|------|----|----|--------------|--------------|--------|------|------------|---------|-----|---------|
| Model | Year | MG | SG | Illustration | Restrictions | Update | 7:54 | 28.08.2006 | PORSCHE | PET | PORSCHE |
| 997 | 07 | 8 | 17 | 817-54 | | 203 | | | | | |

| Pos | Part Number | Name | Remarks | Qty | Model | Pos | Part Number | Name | Remarks | Qty | Model |
|-----|----------------|---|---------|-----|----------|-----|----------------|--|---------|-----|--------------|
| | 5X5 | stone grey | | | | | T11 | brown/natural | | | |
| | 8G1 | sand beige | | | | (1) | 997 522 051 06 | back seat cushion version for japan | /L | 1 | I193/685/937 |
| | 3S8 | sea blue | | | | | 5Q2 | black | | | |
| | 4P1 | palmgreen | | | | | 8X4 | stone grey | | | |
| | 9N2 | terracotta | | | | | 5S4 | sand beige | | | |
| | 9Q3 | cocoa | | | | | 8W3 | sea blue | | | |
| | D11 | dark grey/natural | | | | | 5Y5 | palmgreen | | | |
| (1) | 997 522 051 05 | back seat cushion not for version for japan | /L | 1 | I685/939 | (1) | 997 522 052 06 | back seat cushion version for japan | /R | 1 | I193/685/937 |
| | T11 | brown/natural | | | | | 5Q2 | black | | | |
| | 8YR | black | | | | | 8X4 | stone grey | | | |
| | 5X5 | stone grey | | | | | 5S4 | sand beige | | | |
| | 8G1 | sand beige | | | | | 8W3 | sea blue | | | |
| | 3S8 | sea blue | | | | | 5Y5 | palmgreen | | | |
| | 4P1 | palmgreen | | | | (1) | 997 522 051 07 | back seat cushion version for japan | /L | 1 | I193/685/936 |
| | 9N2 | terracotta | | | | | 8YR | black | | | |
| | 9Q3 | cocoa | | | | | 5X5 | stone grey | | | |
| | D11 | dark grey/natural | | | | | 8G1 | sand beige | | | |
| (1) | 997 522 052 05 | back seat cushion not for version for japan | /R | 1 | I685/939 | | 3S8 | sea blue | | | |
| | T11 | brown/natural | | | | | 4P1 | palmgreen | | | |
| | 8YR | black | | | | | 9N2 | terracotta | | | |
| | 5X5 | stone grey | | | | | 9Q3 | cocoa | | | |
| | 8G1 | sand beige | | | | | D11 | dark grey/natural | | | |
| | 3S8 | sea blue | | | | | T11 | brown/natural | | | |
| | 4P1 | palmgreen | | | | (1) | 997 522 052 07 | back seat cushion version for japan | /R | 1 | I193/685/936 |
| | 9N2 | terracotta | | | | | 8YR | black | | | |
| | 9Q3 | cocoa | | | | | 5X5 | stone grey | | | |
| | D11 | dark grey/natural | | | | | 8G1 | sand beige | | | |

| | | | | | | | | | | | |
|-------|------|----|----|--------------|--------------|--------|------|------------|---------|-----|---------|
| Model | Year | MG | SG | Illustration | Restrictions | Update | 7:54 | 28.08.2006 | PORSCHE | PET | PORSCHE |
| 997 | 07 | 8 | 17 | 817-54 | | 203 | | | | | |

| Pos | Part Number | Name | Remarks | Qty | Model | Pos | Part Number | Name | Remarks | Qty | Model |
|-----|----------------|--|---------|-----|--------------|-----|----------------|--|---------|-----|--------------|
| | | 3S8 sea blue | | | | | | 5Q2 black | | | |
| | | 4P1 palmgreen | | | | | | 8X4 stone grey | | | |
| | | 9N2 terracotta | | | | | | 5S4 sand beige | | | |
| | | 9Q3 cocoa | | | | | | 8W3 sea blue | | | |
| | | D11 dark grey/natural | | | | | | 5Y5 palmgreen | | | |
| | | T11 brown/natural | | | | (2) | 997 522 066 00 | extension seat cushion version for japan | /R | 1 | I193/685/937 |
| (1) | 997 522 051 08 | back seat cushion version for japan | /L | 1 | I193/685/939 | | | 5Q2 black | | | |
| | | 8YR black | | | | | | 8X4 stone grey | | | |
| | | 5X5 stone grey | | | | | | 5S4 sand beige | | | |
| | | 8G1 sand beige | | | | | | 8W3 sea blue | | | |
| | | 3S8 sea blue | | | | | | 5Y5 palmgreen | | | |
| | | 4P1 palmgreen | | | | (2) | 997 522 065 01 | extension seat cushion version for japan | /L | 1 | I193/936/939 |
| | | 9N2 terracotta | | | | | | 8YR black | | | |
| | | 9Q3 cocoa | | | | | | 5X5 stone grey | | | |
| | | D11 dark grey/natural | | | | | | 8G1 sand beige | | | |
| | | T11 brown/natural | | | | | | 3S8 sea blue | | | |
| (1) | 997 522 052 08 | back seat cushion version for japan | /R | 1 | I193/685/939 | | | 4P1 palmgreen | | | |
| | | 8YR black | | | | | | 9N2 terracotta | | | |
| | | 5X5 stone grey | | | | | | 9Q3 cocoa | | | |
| | | 8G1 sand beige | | | | | | D11 dark grey/natural | | | |
| | | 3S8 sea blue | | | | | | T11 brown/natural | | | |
| | | 4P1 palmgreen | | | | (2) | 997 522 066 01 | extension seat cushion version for japan | /R | 1 | I193/936/939 |
| | | 9N2 terracotta | | | | | | 8YR black | | | |
| | | 9Q3 cocoa | | | | | | 5X5 stone grey | | | |
| | | D11 dark grey/natural | | | | | | 8G1 sand beige | | | |
| | | T11 brown/natural | | | | | | 3S8 sea blue | | | |
| 2 | 997 522 065 00 | extension seat cushion version for japan | /L | 1 | I193/685/937 | | | | | | |

| | | | | | | | | | | | |
|-------|------|----|----|--------------|--------------|--------|------|------------|---------|-----|---------|
| Model | Year | MG | SG | Illustration | Restrictions | Update | 7:54 | 28.08.2006 | PORSCHE | PET | PORSCHE |
| 997 | 07 | 8 | 17 | 817-54 | | 203 | | | | | |

| Pos | Part Number | Name | Remarks | Qty | Model | Pos | Part Number | Name | Remarks | Qty | Model |
|-----|----------------|-----------------------------------|---------|-----|----------|-----|----------------|-----------------------------------|---------|-----|----------|
| | 4P1 | palmgreen | | | | (3) | 997 522 236 01 | centre part back seat backrest | /R | 1 | I685/936 |
| | 9N2 | terracotta | | | | | 8YR | black | | | |
| | 9Q3 | cocoa | | | | | 5X5 | stone grey | | | |
| | D11 | dark grey/natural | | | | | 8G1 | sand beige | | | |
| | T11 | brown/natural | | | | | 3S8 | sea blue | | | |
| 3 | 997 522 235 00 | centre part back seat backrest | /L | 1 | I685/937 | | 4P1 | palmgreen | | | |
| | 5Q2 | black | | | | | 9N2 | terracotta | | | |
| | 8X4 | stone grey | | | | | 9Q3 | cocoa | | | |
| | 5S4 | sand beige | | | | | D11 | dark grey/natural | | | |
| | 8W3 | sea blue | | | | | T11 | brown/natural | | | |
| | 5Y5 | palmgreen | | | | (3) | 997 522 235 02 | centre part back seat backrest | /L | 1 | I685/939 |
| (3) | 997 522 236 00 | centre part back seat backrest | /R | 1 | I685/937 | | 8YR | black | | | |
| | 5Q2 | black | | | | | 5X5 | stone grey | | | |
| | 8X4 | stone grey | | | | | 8G1 | sand beige | | | |
| | 5S4 | sand beige | | | | | 3S8 | sea blue | | | |
| | 8W3 | sea blue | | | | | 4P1 | palmgreen | | | |
| | 5Y5 | palmgreen | | | | | 9N2 | terracotta | | | |
| (3) | 997 522 235 01 | centre part back seat backrest | /L | 1 | I685/936 | | 9Q3 | cocoa | | | |
| | 8YR | black | | | | | D11 | dark grey/natural | | | |
| | 5X5 | stone grey | | | | | T11 | brown/natural | | | |
| | 8G1 | sand beige | | | | (3) | 997 522 236 02 | centre part back seat backrest | /R | 1 | I685/939 |
| | 3S8 | sea blue | | | | | 8YR | black | | | |
| | 4P1 | palmgreen | | | | | 5X5 | stone grey | | | |
| | 9N2 | terracotta | | | | | 8G1 | sand beige | | | |
| | 9Q3 | cocoa | | | | | 3S8 | sea blue | | | |
| | D11 | dark grey/natural | | | | | 4P1 | palmgreen | | | |
| | T11 | brown/natural | | | | | 9N2 | terracotta | | | |
| | | | | | | | 9Q3 | cocoa | | | |

| | | | | | | | | | | | |
|-------|------|----|----|--------------|--------------|--------|------|------------|---------|-----|---------|
| Model | Year | MG | SG | Illustration | Restrictions | Update | | | | | |
| 997 | 07 | 8 | 17 | 817-54 | | 203 | 7:54 | 28.08.2006 | PORSCHE | PET | PORSCHE |

| Pos | Part Number | Name | Remarks | Qty | Model | Pos | Part Number | Name | Remarks | Qty | Model |
|-----|----------------|-------------------|---------|-----|-------|-----|-------------|------|---------|-----|-------|
| | D11 | dark grey/natural | | | | | | | | | |
| | T11 | brown/natural | | | | | | | | | |
| 4 | 996 522 897 00 | clips nut | -06 | X | I685 | | | | | | |
| 5 | 997 551 895 00 | clip double | | X | I685 | | | | | | |
| 6 | 997 551 893 00 | clip triple | | X | I685 | | | | | | |
| | | - - - E N D - - - | | | | | | | | | |

PORSCHE

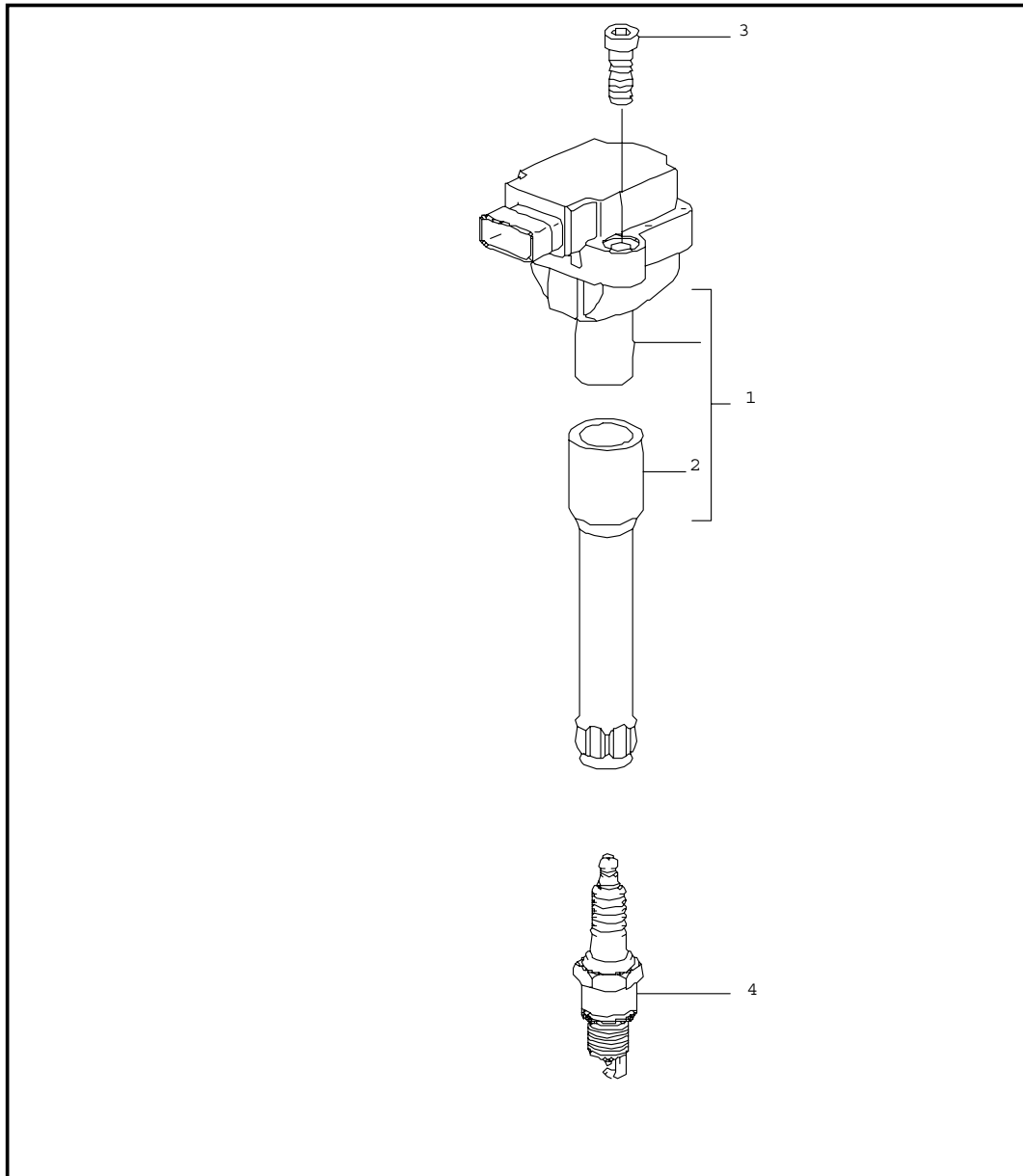
PET

PORSCHE

| | | | | | | | | |
|-------|------|----|----|--------------|--------------|--------|------|------------|
| Model | Year | MG | SG | Illustration | Restrictions | Update | | |
| 997 | 07 | 8 | 98 | 898-00 | | 203 | 7:54 | 28.08.2006 |

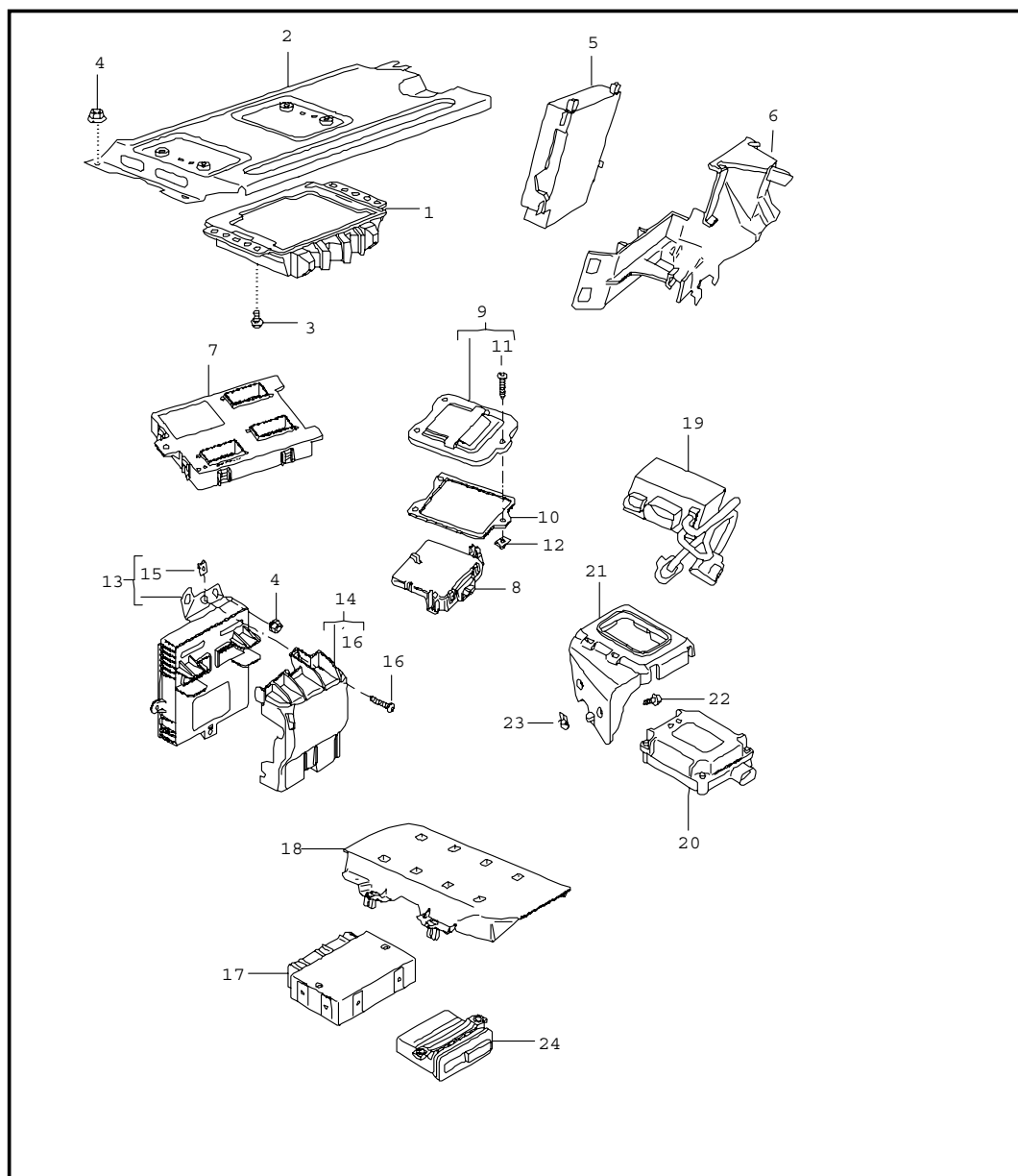
| Pos | Part Number | Name | Remarks | Qty | Model |
|-----|------------------|-------------------|---------|-----|-------|
| | | repair kits | | | |
| | | set of locks | | | |
| >> | > 997 538 011 00 | set of locks | | 1 | I 098 |
| >> | > 997 538 011 01 | set of locks | | 1 | I 099 |
| | | - - - E N D - - - | | | |

| | | | | | | | | | | | |
|-------|------|----|----|--------------|--------------|--------|------|------------|---------|-----|---------|
| Model | Year | MG | SG | Illustration | Restrictions | Update | 7:54 | 28.08.2006 | PORSCHE | PET | PORSCHE |
| 997 | 07 | 9 | 01 | 901-00 | | 203 | | | | | |



| Pos | Part Number | Name | Remarks | Qty | Model |
|-----|----------------|-------------------------|---------|-----|---------------------|
| | | ignition system | | | |
| 1 | 996 602 104 00 | ignition coil | | 6 | |
| 2 | 996 602 105 00 | spark plug socket | | 6 | |
| 3 | 900 387 008 09 | torx screw M 6 X 25 | | 12 | |
| 4 | 999 170 223 90 | spark plug FGR 5KQE0 | | 6 | M 96.05/ M 97.01 |
| | | - - - E N D - - - | | | |

| | | | | | | | | | | | |
|-------|------|----|----|--------------|--------------|--------|------|------------|---------|-----|---------|
| Model | Year | MG | SG | Illustration | Restrictions | Update | 7:55 | 28.08.2006 | PORSCHE | PET | PORSCHE |
| 997 | 07 | 9 | 01 | 901-03 | | 203 | | | | | |

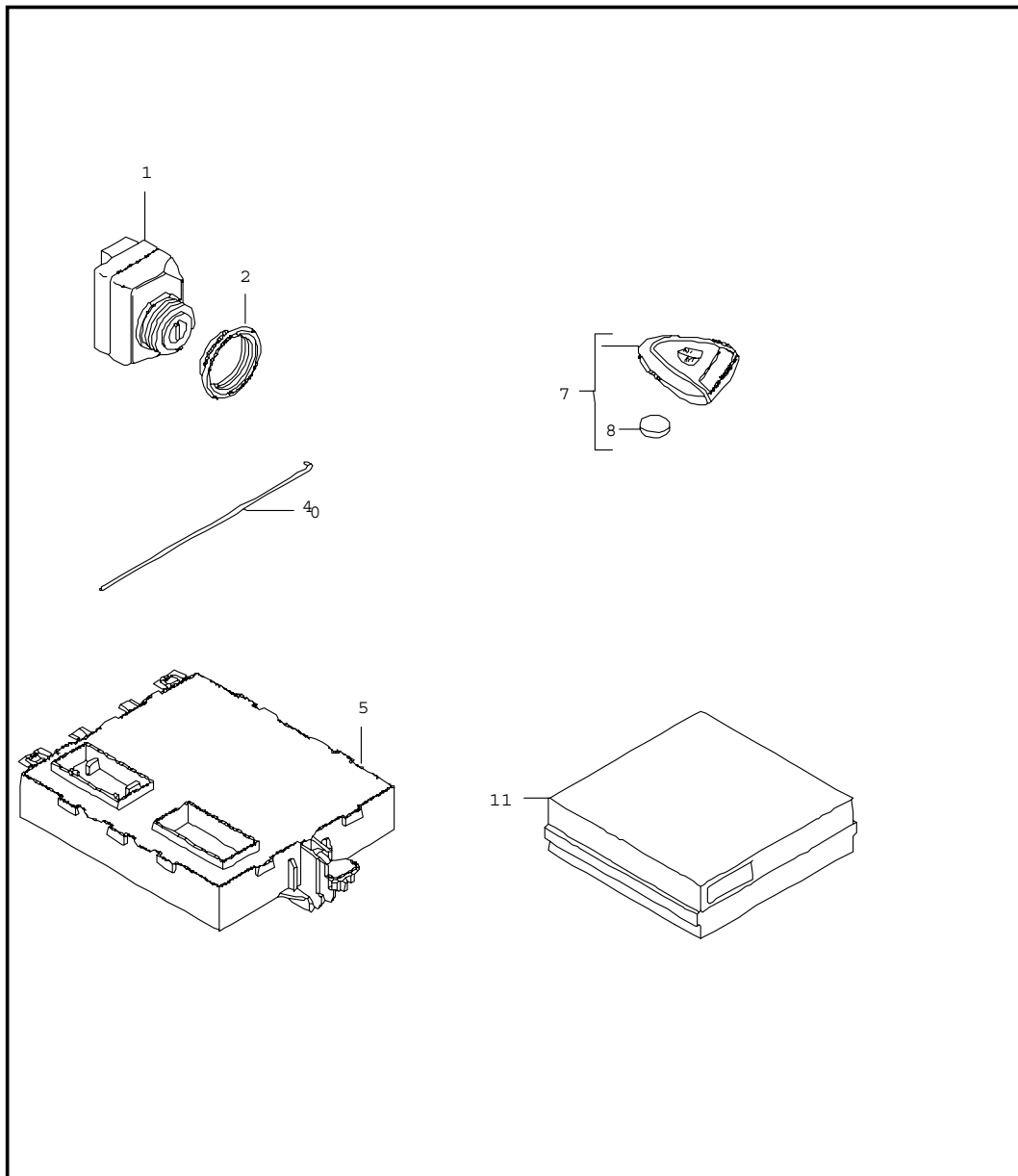


| Pos | Part Number | Name | Remarks | Qty | Model |
|-----|------------------|---|---------------|-----|----------------------|
| | | control units | | | |
| 1 | A 997 618 601 01 | control unit - dme - | 05 | 1 | |
| 1 | 997 618 601 02 | control unit - dme - | -06 | 1 | |
| 1 | P 997 618 601 03 | control unit - dme - | 07 | 1 | |
| 1 | A 997 618 603 02 | control unit - dme - | 06 | 1 | I660 |
| 1 | 997 618 603 03 | control unit - dme - | 06- | 1 | I660 |
| (1) | 996 618 150 01 | control unit fuel pump | | 1 | CARRERA 4/4S I664 |
| - | 999 919 125 09 | hexagon-head bolt 6,0 X 16,0 for control unit fuel pump | | 2 | CARRERA 4/4S I664 |
| 2 | 996 618 129 01 | support control unit - dme - | | 1 | COUPE |
| (2) | 996 618 131 00 | support control unit - dme - | | 2 | CABRIO |
| 3 | 900 378 036 09 | hexagon-head bolt M 6 X 12 | | 4 | COUPE |
| (3) | 999 073 060 02 | tapping screw 4,8 X 13 | | X | CABRIO |
| 4 | 999 084 629 09 | hexagon nut M 6 | | 3 | COUPE |
| 5 | 997 618 180 03 | control unit tiptronic F | >>995S7 61313 | 1 | CARRERA/S I249 |
| 5 | A 997 618 180 07 | control unit tiptronic F 995S7 61314>> | 05 | 1 | CARRERA/S I249 |
| 5 | 997 618 180 08 | control unit tiptronic F 995S7 61314>> | 05 | 1 | CARRERA/S I249 |
| 5 | 997 618 180 12 | control unit tiptronic | 06 | 1 | I249 |

| | | | | | | | | | | | |
|-------|------|----|----|--------------|--------------|--------|------|------------|---------|-----|---------|
| Model | Year | MG | SG | Illustration | Restrictions | Update | 7:55 | 28.08.2006 | PORSCHE | PET | PORSCHE |
| 997 | 07 | 9 | 01 | 901-03 | | 203 | | | | | |

| Pos | Part Number | Name | Remarks | Qty | Model | Pos | Part Number | Name | Remarks | Qty | Model |
|-------------------|------------------|---|---------|-----|--------|--------|----------------|---|---------|-----|--------------|
| 5 | N 997 618 180 13 | control unit tiptronic | 07 | 1 | I249 | (13) P | 997 610 105 11 | control unit front trunk | 07 | 1 | I601 |
| 6 | 996 618 257 01 | support control unit tiptronic | | 1 | I249 | 14 | 997 551 536 00 | cover | | 1 | CARRERA/S |
| - | - | control unit folding top control see group 8/11/15 | | 1 | CABRIO | (14) | 997 551 736 01 | cover | | 1 | CARRERA 4/4S |
| 7 | A 997 610 102 04 | control unit vehicle electrical system | 05 | 1 | | 15 | 999 507 462 09 | speed nut 4,8 | | 1 | |
| 7 | 997 610 102 05 | control unit vehicle electrical system | 05 | 1 | | 16 | 999 073 061 02 | tapping screw 4,8 X 16 | | 1 | |
| 7 | 997 610 102 06 | control unit vehicle electrical system | 06- | 1 | | 17 | 997 618 260 04 | control unit rear end | 05 | 1 | |
| 8 | A 997 610 108 01 | control unit gateway | 05 | 1 | | 17 | 997 618 260 06 | control unit rear end | 06- | 1 | |
| 8 | 997 610 107 03 | control unit gateway | | 1 | | 18 | 997 618 371 01 | support | | 1 | |
| 9 | 997 572 419 01 | cover | 05 | 1 | | 19 | 997 618 436 00 | control unit cooling air control | 05 | 1 | |
| 9 | 997 572 419 02 | cover | 06- | 1 | | 19 | 997 618 436 01 | control unit cooling air control | 06- | 1 | |
| 10 | 997 572 221 00 | gasket | | 1 | | 20 | 997 618 225 01 | control unit garage door opener | 05 | 1 | I608 |
| 11 | 900 143 094 09 | tapping screw ST 4,8 X 19 | | 3 | | 20 | 997 618 225 02 | control unit garage door opener | 06- | 1 | I608 |
| 12 | 999 591 855 02 | speed nut ST 4,8 | | 3 | | 20 | 997 618 227 00 | control unit garage door opener | 05 | 1 | I607 |
| 13 | A 997 610 106 04 | control unit front trunk | 05 | 1 | | 20 | 997 618 227 01 | control unit garage door opener | 06- | 1 | I607 |
| 13 | 997 610 106 05 | control unit front trunk | 05 | 1 | | 21 | 997 618 257 00 | support control unit garage door opener | | 1 | |
| 13 | 997 610 106 08 | control unit front trunk | 06 | 1 | | 22 | 900 075 466 09 | hexagon-head bolt M 6 X 16 | | 2 | |
| 13 | P 997 610 106 11 | control unit front trunk | 07 | 1 | | 23 | 999 591 882 02 | speed nut M 6 | | 2 | |
| (13) | 997 610 105 05 | control unit front trunk | 05 | 1 | I601 | 24 | 996 618 171 03 | control unit park distance control | | 1 | I635 |
| (13) | 997 610 105 08 | control unit front trunk | 06 | 1 | I601 | | | sensor see group 8/02/05 | | | I635 |
| - - - E N D - - - | | | | | | | | | | | |

| | | | | | | | | | | | |
|-------|------|----|----|--------------|--------------|--------|------|------------|---------|-----|---------|
| Model | Year | MG | SG | Illustration | Restrictions | Update | 7:55 | 28.08.2006 | PORSCHE | PET | PORSCHE |
| 997 | 07 | 9 | 01 | 901-04 | | 203 | | | | | |



| Pos | Part Number | Name | Remarks | Qty | Model |
|-----|----------------|--|---------|-----|-------|
| | | control units ignition starter switch PORSCHE ACCES SYSTEM | | | |
| 1 | 997 618 159 03 | control unit ignition starter switch | | 1 | |
| 2 | 997 618 759 00 | nut | | 1 | |
| - | 997 618 361 00 | cover release remote control | | 1 | |
| 4 | 997 618 761 00 | emergency operation release ignition starter switch | | 1 | |
| 5 A | 997 618 171 06 | control unit PORSCHE ACCESS SYSTEM F >>995S7 04028 F >>995S7 50660 | | 1 | I534 |
| 5 | 997 618 171 09 | control unit PORSCHE ACCESS SYSTEM F >>995S7 04028 F >>995S7 50660 | | 1 | I534 |
| 5 | 997 618 171 12 | control unit PORSCHE ACCESS SYSTEM F 995S7 04029>> F 995S7 50661>> information available | | 1 | I534 |
| 5 A | 997 618 172 06 | control unit PORSCHE ACCESS SYSTEM F >>995S7 36876 F >>995S7 55488 see technical information GR. 9 , NR. 8/05 | | 1 | I535 |
| 5 A | 997 618 172 09 | control unit PORSCHE ACCESS SYSTEM F >>995S7 36876 F >>995S7 55488 see technical information GR. 9 , NR. 8/05 | | 1 | I535 |
| 5 | 997 618 172 12 | control unit PORSCHE ACCESS SYSTEM F 995S7 36877>> F 995S7 55489>> information available | | 1 | I535 |

| | | | | | | | | | | | |
|-------|------|----|----|--------------|--------------|--------|------|------------|---------|-----|---------|
| Model | Year | MG | SG | Illustration | Restrictions | Update | 7:55 | 28.08.2006 | PORSCHE | PET | PORSCHE |
| 997 | 07 | 9 | 01 | 901-04 | | 203 | | | | | |

| Pos | Part Number | Name | Remarks | Qty | Model | Pos | Part Number | Name | Remarks | Qty | Model |
|-----|----------------|---|---------|-----|----------|-------|----------------|---|----------|-----|------------------------------------|
| 5 | 997 618 173 06 | control unit PORSCHE ACCESS SYSTEM F >>995S7 36876 F >>995S7 55488 see technical information GR. 9 , NR. 8/05 | | 1 | (J) I535 | - | 997 612 054 01 | connecting line antenna booster control unit POS. 5 F 995S7 36877>> F 995S7 55489>> information available | /RL | 1 | I099/535 |
| 5 | 997 618 172 12 | control unit PORSCHE ACCESS SYSTEM F 995S7 36877>> F 995S7 55489>> information available | | 1 | (J) I535 | 7 | 997 637 244 23 | remote control | 05 05 | 1 | COUPE I534 CABRIO I533/ I534 |
| - | 997 612 053 00 | connecting line antenna booster control unit POS. 5 F >>995S7 04028 F >>995S7 50660 F >>995S7 36876 F >>995S7 55488 | /LL | 1 | I098 | 7 | 997 637 244 43 | remote control information available | 06 06 | 1 | COUPE I534 CABRIO I533/ I534 |
| - | 997 612 054 00 | connecting line antenna booster control unit POS. 5 F >>995S7 04028 F >>995S7 50660 F >>995S7 36876 F >>995S7 55488 information available | /RL | 1 | I099 | 7 P | 997 637 244 46 | remote control | 07 07 | 1 | COUPE I534 CABRIO I533/ I534 |
| - | 997 612 053 00 | connecting line antenna booster control unit POS. 5 F 995S7 04029>> F 995S7 50661>> | /LL | 1 | I098/534 | 7 | 997 637 244 24 | remote control | 05 05 | 1 | COUPE I535 CABRIO I533/ I535 |
| - | 997 612 054 00 | connecting line antenna booster control unit POS. 5 F >>995S7 04028 F >>995S7 50660 F >>995S7 36876 F >>995S7 55488 information available | /RL | 1 | I099/534 | 7 | 997 637 244 44 | remote control information available | 06 06 | 1 | COUPE I535 CABRIO I533/ I535 |
| - | 997 612 053 00 | connecting line antenna booster control unit POS. 5 F 995S7 04029>> F 995S7 50661>> | /LL | 1 | I098/534 | 7 P | 997 637 244 47 | remote control | 07 07 | 1 | COUPE I535 CABRIO I533/ I535 |
| - | 997 612 054 00 | connecting line antenna booster control unit POS. 5 F 995S7 04029>> F 995S7 50661>> information available | /RL | 1 | I099/534 | 7 U | 997 637 244 25 | remote control | | 1 | COUPE (J) I535 |
| - | 997 612 053 01 | connecting line antenna booster control unit POS. 5 F 995S7 36877>> F 995S7 55489>> | /LL | 1 | I098/535 | 7 | 997 637 244 99 | remote control | 05 | 1 | COUPE (J) I535 |
| | | | | | | 7 | 997 637 244 45 | remote control | 06 | 1 | COUPE (J) I535 |
| | | | | | | 7 P | 997 637 244 48 | remote control | 07 | 1 | COUPE (J) I535 |
| | | | | | | (7) | 997 637 244 13 | remote control | 05 | 1 | CABRIO I534 |
| | | | | | | (7) | 997 637 244 33 | remote control information available | 06 | 1 | CABRIO I534 |
| | | | | | | (7) N | 997 637 244 36 | remote control | 07 | 1 | CABRIO I534 |
| | | | | | | (7) | 997 637 244 14 | remote control | 05 | 1 | CABRIO I535 |
| | | | | | | (7) | 997 637 244 34 | remote control information available | 06 | 1 | CABRIO I535 |

| | | | | | | | | | | | |
|-------|------|----|----|--------------|--------------|--------|------|------------|---------|-----|---------|
| Model | Year | MG | SG | Illustration | Restrictions | Update | | | | | |
| 997 | 07 | 9 | 01 | 901-04 | | 203 | 7:55 | 28.08.2006 | PORSCHE | PET | PORSCHE |

| Pos | Part Number | Name | Remarks | Qty | Model | Pos | Part Number | Name | Remarks | Qty | Model |
|-----|------------------|--|---------|-----|--------------------|-----|-------------|------|---------|-----|-------|
| (7) | N 997 637 244 37 | remote control | 07 | 1 | CABRIO I535 | | | | | | |
| (7) | 997 637 244 98 | remote control | 05 | 1 | CABRIO (J) I535 | | | | | | |
| (7) | 997 637 244 35 | remote control | 06 | 1 | CABRIO (J) I535 | | | | | | |
| (7) | N 997 637 244 38 | remote control | 07 | 1 | CABRIO (J) I535 | | | | | | |
| 8 | 999 611 108 00 | battery | | 1 | | | | | | | |
| 11 | A 997 618 210 00 | sensor interior monitoring | 05 | 1 | | | | | | | |
| 11 | 997 618 210 01 | sensor interior monitoring | | 1 | | | | | | | |
| | | alarm siren tilt sensor see group 9/03/00 | | | I536 I536 | | | | | | |
| | | - - - E N D - - - | | | | | | | | | |

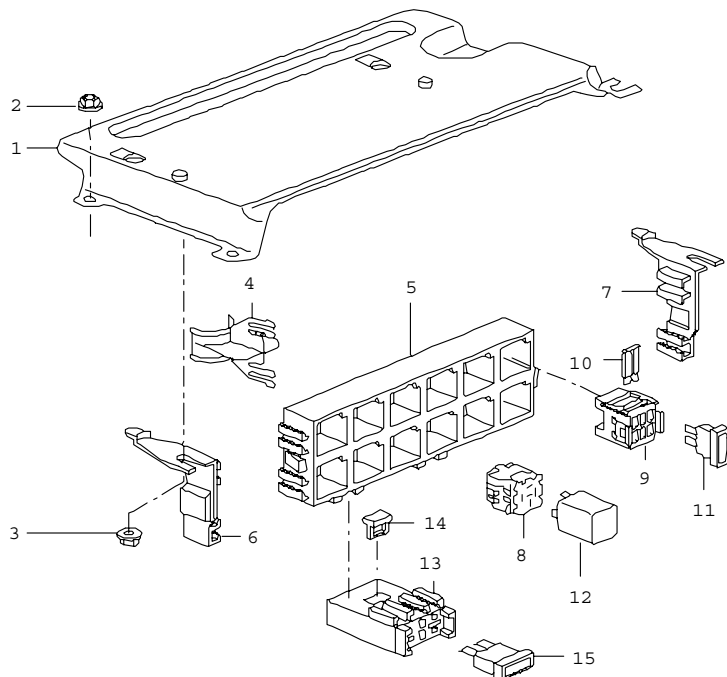
| | | | | | | | | | | | |
|-------|------|----|----|--------------|--------------|--------|------|------------|---------|-----|---------|
| Model | Year | MG | SG | Illustration | Restrictions | Update | 7:55 | 28.08.2006 | PORSCHE | PET | PORSCHE |
| 997 | 07 | 9 | 02 | 902-00 | | 203 | | | | | |

| Pos | Part Number | Name | Remarks | Qty | Model |
|------|----------------|-------------------------------------|---------|-----|-------|
| | | central electrical system dashboard | | | |
| 1 | 997 610 117 01 | support | /LL | 1 | I098 |
| (1) | 997 610 118 00 | support | /RL | 1 | I099 |
| 2 | 997 610 110 00 | relay carrier support frame | | 1 | |
| 3 | 997 610 112 00 | cover support frame | | 1 | |
| 4 | 900 378 155 09 | hexagon-head bolt M 6 X 16 ASP | | 2 | |
| (4) | 900 377 010 09 | hexagon nut M 6 | | 1 | |
| 5 | 928 610 511 00 | relay carrier | | X | |
| 6 | 999 650 538 40 | relay carrier | | X | |
| 7 | - | relay | | | |
| S 4 | 999 657 010 90 | relay KL. X | | 1 | |
| S 6 | 999 657 007 90 | relay KL. 86S | | 1 | |
| S 8 | 999 657 007 90 | relay fuel pump | | 1 | |
| S 11 | 999 657 009 90 | relay - dme - | | 1 | |
| S 12 | 999 657 009 90 | relay heating | | 1 | |
| S 14 | 999 657 009 90 | relay headlight washer system | | 1 | I288 |
| S 15 | 999 657 009 90 | relay starter | | 1 | |
| S 16 | 999 657 009 90 | relay KL. 15 | | 1 | |
| 8 | 997 610 340 00 | bracket | | 1 | |
| 9 | 997 610 341 00 | cover | | 1 | |
| 10 | 999 650 209 40 | fuse holder | | 4 | |
| 11 | 999 650 210 40 | slide | | 4 | |
| 12 | 999 650 750 40 | fuse holder | | 1 | |

| | | | | | | | | | | | |
|-------|------|----|----|--------------|--------------|--------|------|------------|---------|-----|---------|
| Model | Year | MG | SG | Illustration | Restrictions | Update | | | | | |
| 997 | 07 | 9 | 02 | 902-00 | | 203 | 7:55 | 28.08.2006 | PORSCHE | PET | PORSCHE |

| Pos | Part Number | Name | Remarks | Qty | Model | Pos | Part Number | Name | Remarks | Qty | Model |
|------|----------------|---|---------|-----|-------|-----|-------------|----------------------------------|---------|-----|-------|
| 13 | 999 650 749 40 | slide | | 1 | | - | - | cover | | X | |
| 14 | 999 607 082 00 | fuse 5 A | | X | | | | for housing | | | |
| (14) | 999 607 083 00 | fuse 7 , 5 A | | X | | | | fuse see group 8 / 07 / 02 | | | |
| (14) | 999 607 084 00 | fuse 10 A | | X | | | | - - - E N D - - - | | | |
| (14) | 999 607 085 00 | fuse 15 A | | X | | | | | | | |
| (14) | 999 607 087 00 | fuse 25 A | | X | | | | | | | |
| (14) | 999 607 088 00 | fuse 30 A | | X | | | | | | | |
| (14) | 999 607 072 00 | fuse 30 A large | | X | | | | | | | |
| (14) | 999 607 073 00 | fuse 40 A large | | X | | | | | | | |
| 15 | 999 107 300 40 | tool | | X | | | | | | | |
| - U | 997 610 195 02 | indication sticker fuse | | X | | | | | | | |
| - | 997 610 195 05 | indication sticker fuse | -06 | X | | | | | | | |
| - N | 997 610 195 07 | indication sticker fuse | 07 | X | | | | | | | |
| 16 | 997 618 761 00 | emergency operation release ignition starter switch emergency operation cover | | 1 | | | | | | | |
| 17 | 996 610 240 00 | terminal clamp | | 1 | | | | | | | |
| 18 | 999 657 010 90 | relay | | 1 | | | | | | | |
| 19 U | 999 650 026 99 | fuse holder | | 1 | | | | | | | |
| 19 | 997 610 915 00 | fuse holder with fuse 80 A for cooling air control | | 1 | | | | | | | |

| | | | | | | | | | | | |
|-------|------|----|----|--------------|--------------|--------|------|------------|---------|-----|---------|
| Model | Year | MG | SG | Illustration | Restrictions | Update | 7:55 | 28.08.2006 | PORSCHE | PET | PORSCHE |
| 997 | 07 | 9 | 02 | 902-01 | | 203 | | | | | |

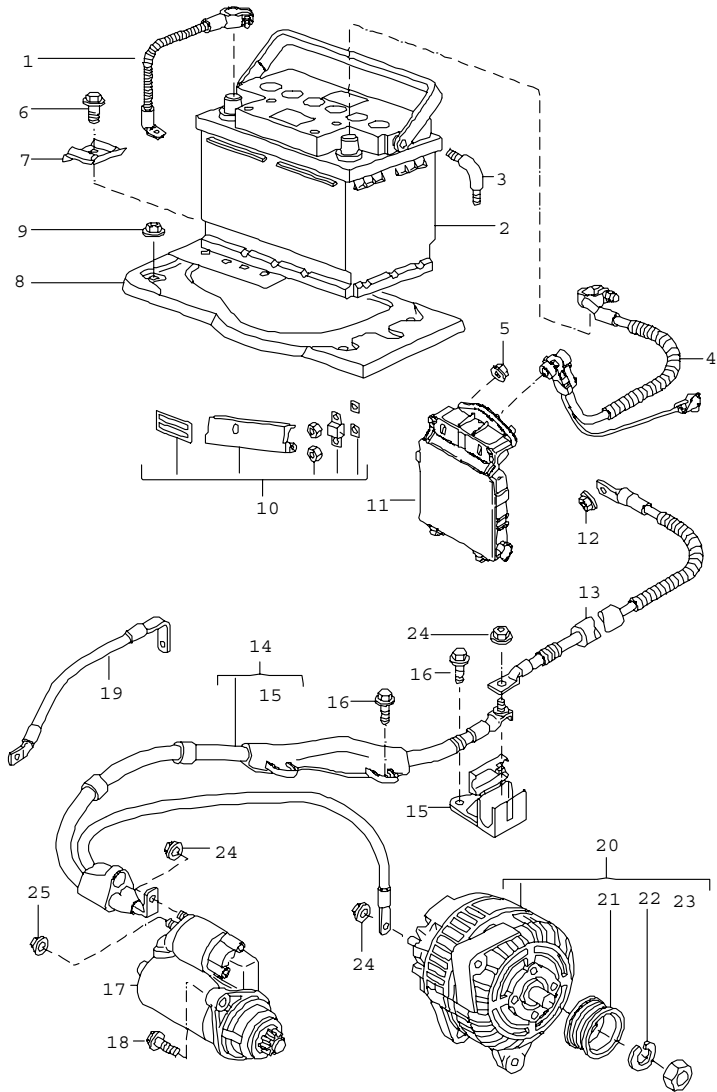


| Pos | Part Number | Name | Remarks | Qty | Model |
|-----|----------------|--|---------|-----|-------------------------------|
| | | central electrical system rear end | | | |
| 1 | 996 610 129 02 | plate F >>995S7 03675 F >>995S7 35994 | | 1 | COUPE CARRERA CARRERA S |
| (1) | 996 610 229 03 | plate F 995S7 03676>> F 995S7 35995>> | | 1 | COUPE CARRERA CARRERA S |
| 2 | 999 084 629 09 | hexagon nut M 6 | | 2 | COUPE |
| 3 | 900 380 015 09 | hexagon nut M 6 F >>995S7 03675 F >>995S7 35994 | | 2 | COUPE CARRERA CARRERA S |
| 4 | 996 610 112 00 | cable holder | | 1 | COUPE |
| (4) | 996 610 115 00 | cable holder | | 1 | CABRIO |
| 5 | 996 610 111 00 | relay carrier support frame | | X | |
| 6 | 996 610 126 00 | support F >>995S7 03675 F >>995S7 35994 | /R | 1 | CARRERA CARRERA S |
| (6) | 987 610 118 00 | support F 995S7 03676>> F 995S7 35995>> | /R | 1 | CARRERA CARRERA S |
| 7 | 996 610 127 00 | support F >>995S7 03675 F >>995S7 35994 | /L | 1 | CARRERA CARRERA S |
| (7) | 987 610 117 00 | support F 995S7 03676>> F 995S7 35995>> | /L | 1 | CARRERA CARRERA S |
| - | 996 610 128 00 | fixing clip | | 2 | CABRIO |
| - | 999 074 059 02 | round head screw M 5 | | 2 | CABRIO |
| 8 | 928 610 511 00 | relay carrier | | X | |
| 9 | 999 650 747 40 | fuse holder | | 1 | |
| 10 | 999 650 748 40 | locking device | | 1 | |
| 11 | 999 607 083 00 | fuse 7,5 A | | X | |
| 11 | 999 607 085 00 | fuse 15 A | | X | |

| | | | | | | | | | | | |
|-------|------|----|----|--------------|--------------|--------|------|------------|---------|-----|---------|
| Model | Year | MG | SG | Illustration | Restrictions | Update | | | | | |
| 997 | 07 | 9 | 02 | 902-01 | | 203 | 7:55 | 28.08.2006 | PORSCHE | PET | PORSCHE |

| Pos | Part Number | Name | Remarks | Qty | Model | Pos | Part Number | Name | Remarks | Qty | Model |
|-----|----------------|---------------------------------------|---------|-----|--------|-----|-------------|------|---------|-----|-------|
| 12 | - | relay | | | | | | | | | |
| S 1 | 999 657 009 90 | relay rear window heating | | 1 | COUPE | | | | | | |
| S 2 | 996 615 112 00 | relay rear window heating | | 1 | CABRIO | | | | | | |
| S 3 | 964 615 215 00 | relay air conditioner | | 1 | I573 | | | | | | |
| S 8 | 999 657 011 90 | relay blower engine compartment | | 1 | | | | | | | |
| S 9 | 999 657 008 90 | relay secondary pump | | 1 | I661 | | | | | | |
| 13 | 999 650 193 40 | fuse holder | | 3 | | | | | | | |
| 14 | 999 650 371 40 | locking device | | 3 | | | | | | | |
| 15 | 999 607 073 00 | fuse 40 A large | | 3 | | | | | | | |
| | | - - - E N D - - - | | | | | | | | | |

| | | | | | | | | | | | |
|-------|------|----|----|--------------|--------------|--------|------|------------|---------|-----|---------|
| Model | Year | MG | SG | Illustration | Restrictions | Update | 7:56 | 28.08.2006 | PORSCHE | PET | PORSCHE |
| 997 | 07 | 9 | 02 | 902-05 | | 203 | | | | | |



| Pos | Part Number | Name | Remarks | Qty | Model |
|-------|----------------|--|---------|-----|----------------------|
| | | battery power distributor starter generator | | | |
| 1 | 996 611 090 08 | ground strap | /LL 05 | 1 | I098 |
| 1 | 997 611 090 00 | ground strap | /LL 06- | 1 | I098 |
| (1) | 996 611 091 06 | ground strap | /RL 05 | 1 | I099 |
| (1) | 997 611 091 00 | ground strap when required order also: | /RL 06- | 1 | I099 |
| - | 900 377 010 09 | hexagon nut M 6 | | 1 | |
| (2) | 999 611 070 20 | battery 70 AH | | 1 | |
| 2 | 999 611 080 20 | battery 80 AH | | 1 | |
| (2) N | 999 611 095 20 | battery 95 AH | | 1 | I200 |
| 3 | 893 915 507 | angled pipe | | 1 | |
| 4 | 997 612 993 00 | repair kit wiring harness battery power distributor | /LL | 1 | I098 |
| (4) | 997 612 995 00 | repair kit wiring harness battery power distributor | /RL | 1 | I099 |
| 5 | 900 380 005 09 | hexagon nut VM 8 | | 2 | |
| 6 | 900 378 017 09 | hexagon-head bolt M 8 X 20 | | 1 | |
| 7 | 996 611 209 00 | rail | | 1 | |
| 8 | 996 504 151 00 | carrier plate for battery | | 1 | CARRERA/S |
| (8) N | 997 504 151 00 | carrier plate for battery | | 1 | CARRERA/S I200 |
| (8) | 996 504 151 02 | carrier plate for battery | | 1 | CARRERA 4/4S |
| (8) N | 997 504 151 01 | carrier plate for battery | | 1 | CARRERA 4/4S I200 |
| - | 996 504 622 00 | gasket | | 1 | CARRERA/S |

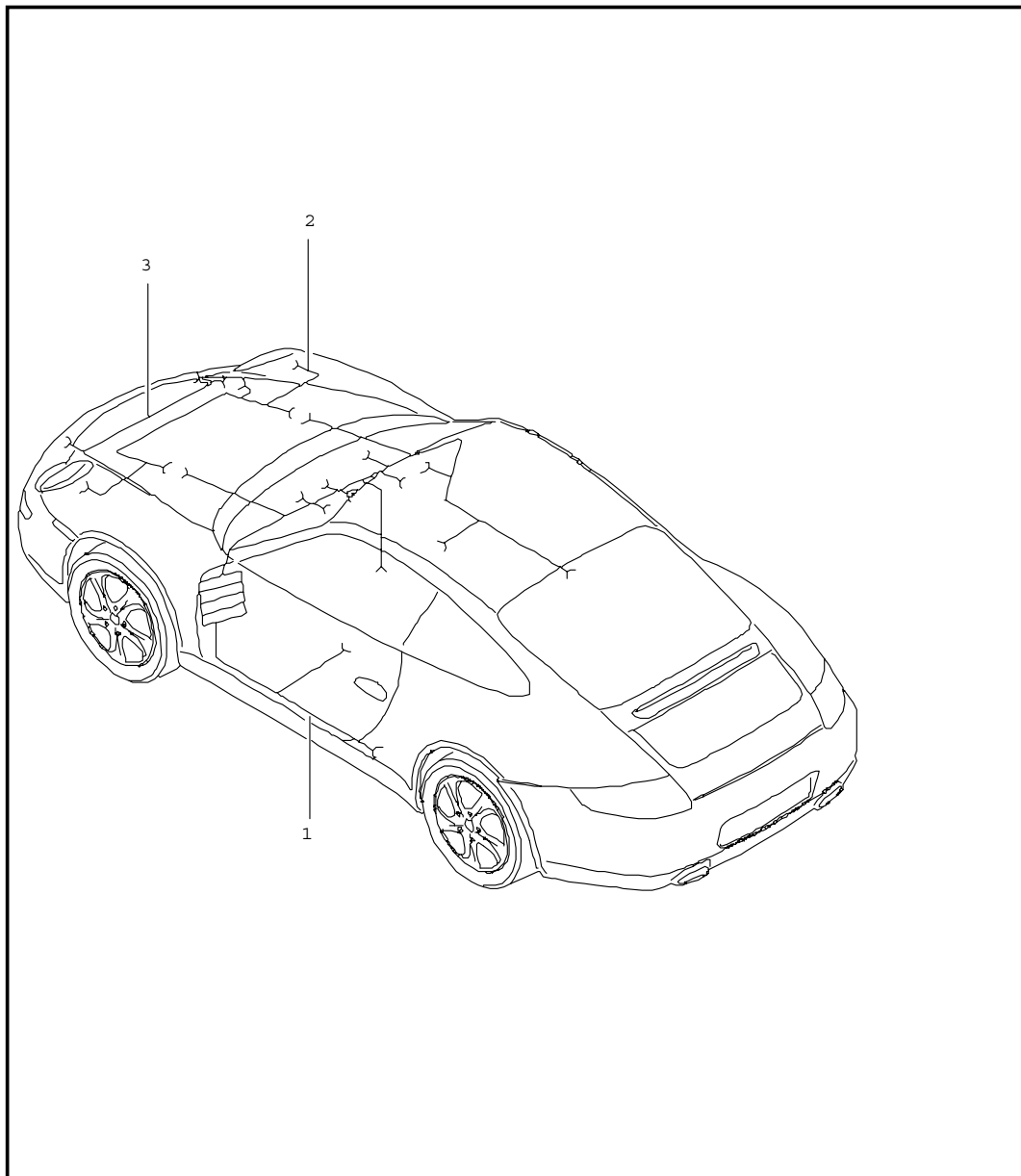
| | | | | | | | | | | | |
|-------|------|----|----|--------------|--------------|--------|------|------------|---------|-----|---------|
| Model | Year | MG | SG | Illustration | Restrictions | Update | 7:56 | 28.08.2006 | PORSCHE | PET | PORSCHE |
| 997 | 07 | 9 | 02 | 902-05 | | 203 | | | | | |

| Pos | Part Number | Name | Remarks | Qty | Model | Pos | Part Number | Name | Remarks | Qty | Model |
|------|----------------|---|---------|-----|--------------|------|----------------|--|---------|-----|----------|
| - | 996 504 622 01 | gasket carrier plate for battery | | 1 | CARRERA 4/4S | - | - | hexagon nut M 8 | | 3 | |
| 9 | 999 084 630 09 | hexagon nut VM 8 SB | | 4 | | - | - | seal label red when required order also: POS. 12 | | 1 | |
| 10 | 997 610 912 00 | repair kit replacement fuse element comprising: | | 1 | | 12 | 900 084 123 02 | hexagon nut M 8 | | 1 | |
| - | - | fuse element 50 AMPERE | | 1 | | 13 | 997 612 090 00 | cable power distributor connection point | /LL 05 | 1 | I098/480 |
| - | - | fuse element 80 AMPERE | | 1 | | 13 | 997 612 090 02 | cable power distributor connection point | /LL 06- | 1 | I098/480 |
| - | - | hexagon nut M 5 | | 4 | | (13) | 997 612 096 00 | cable power distributor connection point | /RL | 1 | I099/480 |
| - | - | square washer | | 4 | | (13) | 997 612 091 01 | cable power distributor connection point | /LL 05 | 1 | I098/249 |
| - | - | cover blue | | 1 | | (13) | 997 612 091 03 | cable power distributor connection point | /LL 06- | 1 | I098/249 |
| - | - | seal label red | | 1 | | (13) | 997 612 097 00 | cable power distributor connection point | /RL | 1 | I099/249 |
| (10) | 997 610 913 00 | repair kit replacement fuse element comprising: | | 1 | | 14 | 997 607 019 02 | wiring harness with connection point generator starter | | 1 | I480 |
| - | - | fuse element 150 AMPERE | | 1 | | (14) | 997 607 018 03 | wiring harness with connection point generator starter | | 1 | I249 |
| - | - | hexagon nut M 8 | | 2 | | 15 | 997 607 201 00 | connection point complete | | 1 | I480 |
| - | - | square washer | | 2 | | (15) | 997 607 301 00 | connection point complete | | 1 | I249 |
| - | - | cover blue | | 1 | | 16 | 900 385 009 09 | torx screw BM 6 X 16 | | 4 | I480 |
| - | - | seal label red | | 1 | | (16) | 999 919 046 02 | screw 5 X 16 | | 2 | I249 |
| 11 | 997 610 911 00 | repair kit replacement power distributor comprising: | | 1 | | | | | | 1 | I249 |
| - | - | power distributor without fuse element | | 1 | | | | | | 1 | I249 |
| - | - | hexagon nut M 5 | | 8 | | | | | | 1 | I249 |

| | | | | | | | | | | | |
|-------|------|----|----|--------------|--------------|--------|------|------------|---------|-----|---------|
| Model | Year | MG | SG | Illustration | Restrictions | Update | | | | | |
| 997 | 07 | 9 | 02 | 902-05 | | 203 | 7:56 | 28.08.2006 | PORSCHE | PET | PORSCHE |

| Pos | Part Number | Name | Remarks | Qty | Model | Pos | Part Number | Name | Remarks | Qty | Model |
|------|------------------|---|---------|-----|-------|-----|----------------|-----------------------------|---------|-----|-------|
| 17 | > 996 604 103 00 | starter | | 1 | | - | 996 603 153 50 | protection cap | | 1 | I480 |
| 18 | 900 385 097 09 | torx screw BM 10 X 35 | | 2 | | | | mounting parts generator | | | |
| 19 | 996 607 030 00 | ground strap engine body | | 1 | | - | 900 385 097 09 | torx screw BM 10 X 35 | | 1 | |
| 20 | W 997 603 012 00 | generator with pulley without free wheel lock | -06 | 1 | I249 | - | 900 385 092 04 | torx screw BM 10 X 145 | | 1 | |
| 20 | > 997 603 012 02 | generator with pulley without free wheel lock | -06 | 1 | I249 | 24 | 900 377 003 02 | hexagon nut M 8 | | 3 | |
| 20 | P 997 603 022 00 | generator with pulley without free wheel lock | 07 | 1 | I249 | 25 | 900 377 010 09 | hexagon nut M 6 | | 1 | |
| 20 | W 997 603 012 01 | generator with pulley free wheel lock | -06 | 1 | I480 | | | - - - E N D - - - | | | |
| 20 | > 997 603 012 03 | generator with pulley free wheel lock | -06 | 1 | I480 | | | | | | |
| 20 | P 997 603 022 01 | generator with pulley free wheel lock | 07 | 1 | I480 | | | | | | |
| 21 | 996 603 151 55 | pulley without free wheel lock | | 1 | I249 | | | | | | |
| (21) | 996 603 152 50 | pulley with free wheel lock | | 1 | I480 | | | | | | |
| 22 | N 012 016 1 | lock ring B 16 | | 1 | | | | | | | |
| 23 | 900 034 013 02 | hexagon nut M 16 X 1,5 | | 1 | | | | | | | |
| - | 996 603 113 00 | protection cap | | 1 | I249 | | | | | | |

| | | | | | | | | | | | |
|-------|------|----|----|--------------|--------------|--------|------|------------|---------|-----|---------|
| Model | Year | MG | SG | Illustration | Restrictions | Update | 7:56 | 28.08.2006 | PORSCHE | PET | PORSCHE |
| 997 | 07 | 9 | 02 | 902-10 | | 203 | | | | | |

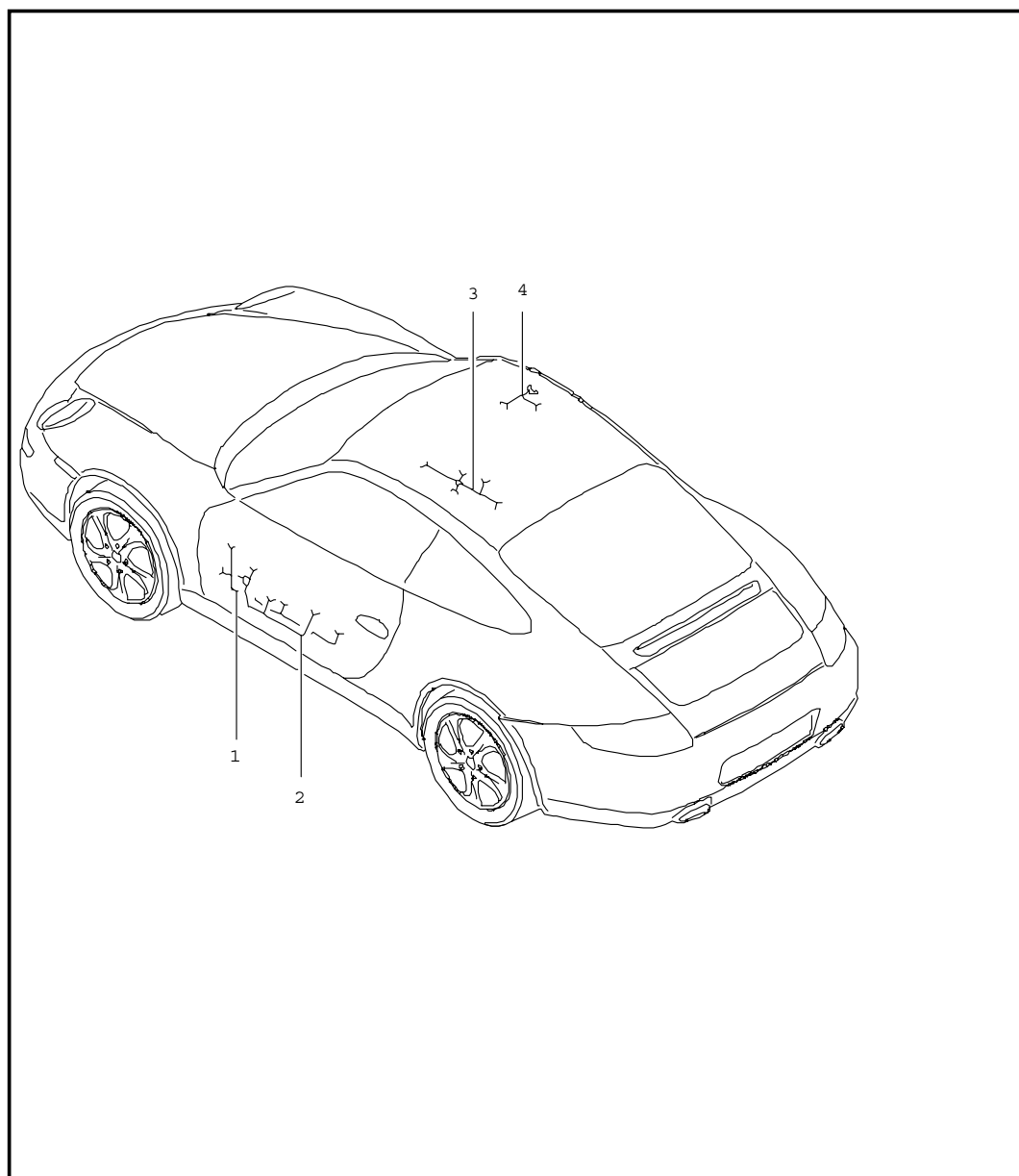


| Pos | Part Number | Name | Remarks | Qty | Model |
|-----|------------------|--|---------|-----|-------|
| | | harnesses passenger compartment front trunk lining front airbag seat-belt tensioner repair kits shock absorber anti-lock brake system brake pad wear indicator front axle | | | I475 |
| 1 | 997 612 903 00 | wiring harness passenger compartment vehicle identification no. indicate | | 1 | |
| 2 | 997 612 520 00 | wiring harness front trunk | 05 | 1 | |
| 2 | U 997 612 520 10 | wiring harness front trunk | 06 | 1 | |
| 2 | 997 612 520 11 | wiring harness front trunk | 06- | 1 | |
| (2) | 997 612 521 00 | wiring harness front trunk | 05 | 1 | I601 |
| (2) | U 997 612 521 10 | wiring harness front trunk | 06 | 1 | I601 |
| (2) | 997 612 521 11 | wiring harness front trunk | 06- | 1 | I601 |
| 3 | 997 612 501 00 | wiring harness lining front | 05 | 1 | |
| 3 | 997 612 501 01 | wiring harness lining front | 06- | 1 | |
| - | 997 612 781 00 | wiring harness airbag passenger's side setting 1 | | 1 | |
| - | 997 612 783 00 | wiring harness airbag passenger's side setting2 | | 1 | |

| | | | | | | | | | | | |
|-------|------|----|----|--------------|--------------|--------|------|------------|---------|-----|---------|
| Model | Year | MG | SG | Illustration | Restrictions | Update | | | | | |
| 997 | 07 | 9 | 02 | 902-10 | | 203 | 7:56 | 28.08.2006 | PORSCHE | PET | PORSCHE |

| Pos | Part Number | Name | Remarks | Qty | Model | Pos | Part Number | Name | Remarks | Qty | Model |
|-----|----------------|--|---------|-----|-------------|-----|-------------|------|---------|-----|-------|
| - | 997 612 992 00 | wiring harness control unit airbag connection point door wiring harness airbag seat see group 8/17/06 8/17/21 | | 2 | | | | | | | |
| - | 997 612 793 00 | wiring harness seat-belt tensioner | 05 | 2 | | | | | | | |
| - | 997 612 793 01 | wiring harness seat-belt tensioner | 06- | 2 | | | | | | | |
| - | 997 612 950 00 | repair kit wiring harness shock absorber repair kit wiring harness anti-lock brake system brake pad wear indicator front axle | | 2 | I475 | | | | | | |
| - | 997 612 961 00 | repair kit wiring harness | /V/L | 1 | CARRERA/S | | | | | | |
| - | 997 612 965 00 | repair kit wiring harness | /V/L | 1 | CARRERA4/4S | | | | | | |
| - | 997 612 960 00 | repair kit wiring harness | /V/R | 1 | CARRERA/S | | | | | | |
| - | 997 612 964 00 | repair kit wiring harness when required order also: | /V/R | 1 | CARRERA4/4S | | | | | | |
| - | 999 513 049 40 | tie-wrap repair kit wiring harness rear axle see group 9/02/20 - - - E N D - - - | | 4 | | | | | | | |

| | | | | | | | | | | | |
|-------|------|----|----|--------------|--------------|--------|------|------------|---------|-----|---------|
| Model | Year | MG | SG | Illustration | Restrictions | Update | 7:56 | 28.08.2006 | PORSCHE | PET | PORSCHE |
| 997 | 07 | 9 | 02 | 902-15 | | 203 | | | | | |

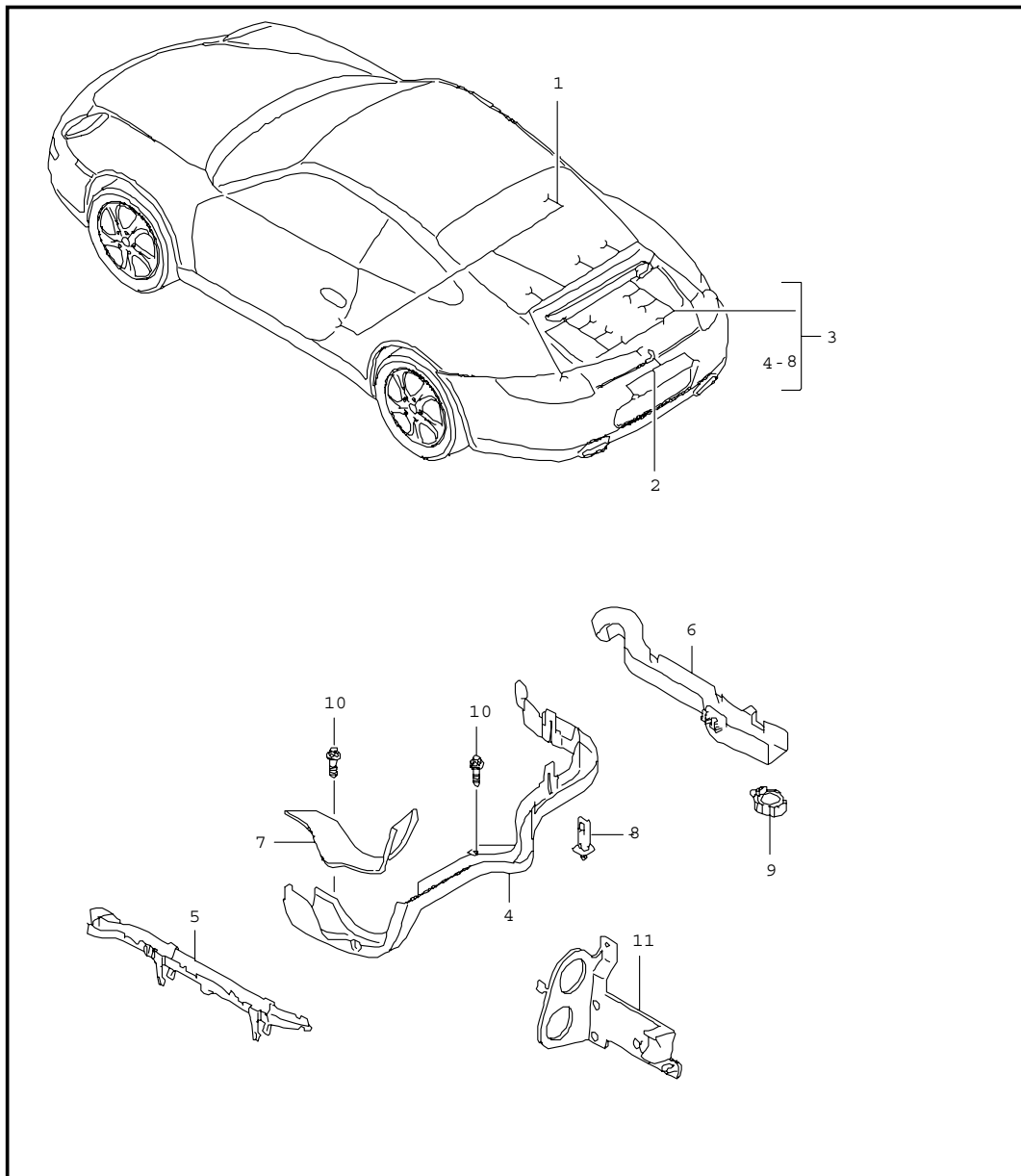


| Pos | Part Number | Name | Remarks | Qty | Model |
|-----|------------------|---|---------|-----|------------------|
| | | harnesses doors airbag centre console glove compartment folding top control auxiliary support | | | CABRIO CABRIO |
| 1 | 997 612 642 00 | wiring harness wiper frame driver's door | /LL 05 | 1 | I098 |
| 1 | 997 612 642 05 | wiring harness wiper frame driver's door | /LL 06 | 1 | I098 |
| 1 | N 997 612 642 07 | wiring harness wiper frame driver's door | /LL 07 | 1 | I098 |
| (1) | 997 612 644 00 | wiring harness wiper frame driver's door | /RL 05 | 1 | I099 |
| (1) | 997 612 644 55 | wiring harness wiper frame driver's door | /RL 06 | 1 | I099 |
| (1) | N 997 612 644 57 | wiring harness wiper frame driver's door | /RL 07 | 1 | I099 |
| (1) | 997 612 643 00 | wiring harness wiper frame passenger's door | /LL 05 | 1 | I098 |
| (1) | 997 612 643 55 | wiring harness wiper frame passenger's door | /LL 06 | 1 | I098 |
| (1) | N 997 612 643 57 | wiring harness wiper frame passenger's door | /LL 07 | 1 | I098 |
| (1) | 997 612 645 00 | wiring harness wiper frame passenger's door | /RL 05 | 1 | I099 |
| (1) | 997 612 645 05 | wiring harness wiper frame passenger's door | /RL 06 | 1 | I099 |
| (1) | N 997 612 645 07 | wiring harness wiper frame passenger's door | /RL 07 | 1 | I099 |
| - | 997 612 780 00 | wiring harness | 05 | 2 | |

| | | | | | | | | | | | |
|-------|------|----|----|--------------|--------------|--------|------|------------|---------|-----|---------|
| Model | Year | MG | SG | Illustration | Restrictions | Update | 7:56 | 28.08.2006 | PORSCHE | PET | PORSCHE |
| 997 | 07 | 9 | 02 | 902-15 | | 203 | | | | | |

| Pos | Part Number | Name | Remarks | Qty | Model | Pos | Part Number | Name | Remarks | Qty | Model |
|-----|------------------|--|---------|-----|--------|-----|----------------|---|---------|-----|--------|
| - | 997 612 780 16 | wiring harness airbag | 06- | 2 | | (3) | 997 612 652 75 | wiring harness centre console | 06- | 1 | |
| 2 | 997 612 647 00 | wiring harness door panel driver's door | /LL 05 | 1 | I098 | 4 | 997 612 651 00 | wiring harness glove compartment | | 1 | |
| 2 | 997 612 647 05 | wiring harness door panel driver's door | /LL 06 | 1 | I098 | - | - | wiring harness folding top control see group 8/11/07 | | 1 | CABRIO |
| 2 | N 997 612 647 07 | wiring harness door panel driver's door | /LL 07 | 1 | I098 | - | - | wiring harness auxiliary support see group 8/11/15 | | 1 | CABRIO |
| (2) | 997 612 650 00 | wiring harness door panel driver's door | /RL 05 | 1 | I099 | | | - - - E N D - - - | | | |
| (2) | 997 612 650 05 | wiring harness door panel driver's door | /RL 06 | 1 | I099 | | | | | | |
| (2) | N 997 612 650 07 | wiring harness door panel driver's door | /RL 07 | 1 | I099 | | | | | | |
| (2) | 997 612 648 00 | wiring harness door panel passenger's door | /LL 05 | 1 | I098 | | | | | | |
| (2) | 997 612 648 05 | wiring harness door panel passenger's door | /LL 06 | 1 | I098 | | | | | | |
| (2) | N 997 612 648 07 | wiring harness door panel passenger's door | /LL 07 | 1 | I098 | | | | | | |
| (2) | 997 612 649 00 | wiring harness door panel passenger's door | /RL 05 | 1 | I099 | | | | | | |
| (2) | 997 612 649 05 | wiring harness door panel passenger's door | /RL 06 | 1 | I099 | | | | | | |
| (2) | N 997 612 649 07 | wiring harness door panel passenger's door | /RL 07 | 1 | I099 | | | | | | |
| 3 | 997 612 652 00 | wiring harness centre console | 05 | 1 | COUPE | | | | | | |
| (3) | 997 612 652 50 | wiring harness centre console | 05 | 1 | CABRIO | | | | | | |

| | | | | | | | | | | | |
|-------|------|----|----|--------------|--------------|--------|------|------------|---------|-----|---------|
| Model | Year | MG | SG | Illustration | Restrictions | Update | 7:56 | 28.08.2006 | PORSCHE | PET | PORSCHE |
| 997 | 07 | 9 | 02 | 902-20 | | 203 | | | | | |



| Pos | Part Number | Name | Remarks | Qty | Model |
|-----|----------------|--|----------|-----|--------------------------------|
| | | harnesses rear end cover rear additional stoplamp license plate light engine transmission repair kits shock absorber anti-lock brake system brake pad wear indicator rear axle | | | IXAA CABRIO I249 I475 |
| 1 | 997 612 904 00 | wiring harness rear end vehicle identification no. indicate | | 1 | |
| - | 997 612 670 71 | wiring harness cover rear | | 1 | IXAA |
| - | 997 612 681 00 | wiring harness additional stoplamp | | 1 | CABRIO |
| - | 996 423 101 00 | protective tube for wiring harness | | 1 | CABRIO |
| 2 | 997 612 660 00 | wiring harness license plate light | | 1 | |
| (2) | 997 612 661 00 | wiring harness park distance control license plate light | | 1 | I635 |
| 3 A | 997 607 010 02 | wiring harness engine M >> 695 06305 M >> 685 07981 | | 1 | M.96/05 M.97/01 |
| 3 | 997 607 010 03 | wiring harness engine M >> 695 08791 M >> 685 12087 | | 1 | M.96/05 M.97/01 |
| 3 | 997 607 010 04 | wiring harness engine M 695 08792 >> M 685 12088 >> | -06 | 1 | M.96/05 M.97/01 |
| 3 N | 997 607 010 06 | wiring harness engine | 07 07 | 1 | M.96/05 M.97/01 |
| | | when required order also: | | | |

| | | | | | | | | | | | |
|-------|------|----|----|--------------|--------------|--------|------|------------|---------|-----|---------|
| Model | Year | MG | SG | Illustration | Restrictions | Update | 7:56 | 28.08.2006 | PORSCHE | PET | PORSCHE |
| 997 | 07 | 9 | 02 | 902-20 | | 203 | | | | | |

| Pos | Part Number | Name | Remarks | Qty | Model | Pos | Part Number | Name | Remarks | Qty | Model |
|-----|----------------|---|---------|-----|--------------|-----|----------------|--|---------|-----|-------|
| - | 997 606 136 00 | protective tube heat protection for temperature sensor water cooled | | 1 | | - | 999 591 746 02 | cable holder for wiring harness transmission | | 4 | I249 |
| - | 997 607 130 00 | connecting line adapter for valve tank ventilation | 06 | 1 | M 97/01/IX51 | - | 997 612 950 00 | repair kit wiring harness shock absorber | | 2 | I475 |
| 4 | 997 607 110 00 | cable guide crankcase | | 1 | | | | | | | |
| 5 | 997 607 111 00 | cable guide cyl. 1 - 3 | | 1 | | - | 997 612 967 00 | repair kit wiring harness | /H/L | 1 | |
| 6 | 997 607 112 00 | cable guide cyl. 4 - 6 for wiring harness 997.607.010.02 | | 1 | | - | 997 612 966 00 | repair kit wiring harness when required order also: | /H/R | 1 | |
| (6) | 997 607 112 01 | cable guide cyl. 4 - 6 for wiring harness 997.607.010.03/.04/.06 | | 1 | | - | 999 507 960 02 | cable holder repair kit wiring harness front axle see group 9/02/10 | | 4 | |
| 7 | 997 607 113 00 | cover cable guide | | 1 | | | | - - - E N D - - - | | | |
| 8 | 997 607 114 00 | support cable guide | | 1 | | | | | | | |
| 9 | 999 507 075 40 | cable holder 3,0 - 12,0 | | 1 | | | | | | | |
| 10 | 900 385 009 09 | torx screw BM 6 X 16 | | 2 | | | | | | | |
| 11 | 996 607 101 02 | support connection point wiring harness engine | | 1 | | | | | | | |
| - | 997 622 663 00 | wiring harness transmission | | 1 | I249 | | | | | | |
| - | 999 507 752 40 | cable holder for wiring harness transmission | | 1 | I249 | | | | | | |

| | | | | | | | | |
|-------|------|----|----|--------------|--------------|--------|------|------------|
| Model | Year | MG | SG | Illustration | Restrictions | Update | 7:57 | 28.08.2006 |
| 997 | 07 | 9 | 02 | 902-50 | | 203 | | |

| Pos | Part Number | Name | Remarks | Qty | Model |
|-----|----------------|--|---------|-----|------------------------------|
| | | optical waveguide module passenger compartment | | | |
| - | 997 622 701 00 | optical waveguide module | /LL | 1 | I098/670/672 I680/689/692 |
| - | 997 622 701 50 | optical waveguide module | /RL | 1 | I099/670/672 I680/689/692 |
| - | 997 622 702 00 | optical waveguide module | /LL | 1 | I098/666/689 |
| - | 997 622 702 50 | optical waveguide module | /RL | 1 | I099/666/689 |
| - | 997 622 703 00 | optical waveguide module | /LL | 1 | I098/666/670 672/680/692 |
| - | 997 622 703 50 | optical waveguide module | /RL | 1 | I099/666/670 I672/680/692 |
| | | module front trunk C A R R E R A / S | | | |
| - | 997 610 122 00 | support connection point | | 1 | |
| - | 996 610 132 00 | cable guide t-piece front trunk | | X | |
| - | 997 622 707 00 | optical waveguide module | /LL | 1 | I098/670/672 |
| - | 997 622 707 50 | optical waveguide module | /RL | 1 | I099/670/672 |
| - | 997 622 704 00 | optical waveguide module | /LL | 1 | I098/680 |
| - | 997 622 704 50 | optical waveguide module | /RL | 1 | I099/680 |
| - | 997 622 706 00 | optical waveguide module | /LL | 1 | I098/692 |
| - | 997 622 706 50 | optical waveguide module | /RL | 1 | I099/692 |
| - | 997 622 708 00 | optical waveguide module | /LL | 1 | I098/664/692 |
| - | 997 622 710 00 | optical waveguide module | /LL | 1 | I098/670/672 I680 |
| - | 997 622 710 50 | optical waveguide module | /RL | 1 | I099/670/672 I680 |

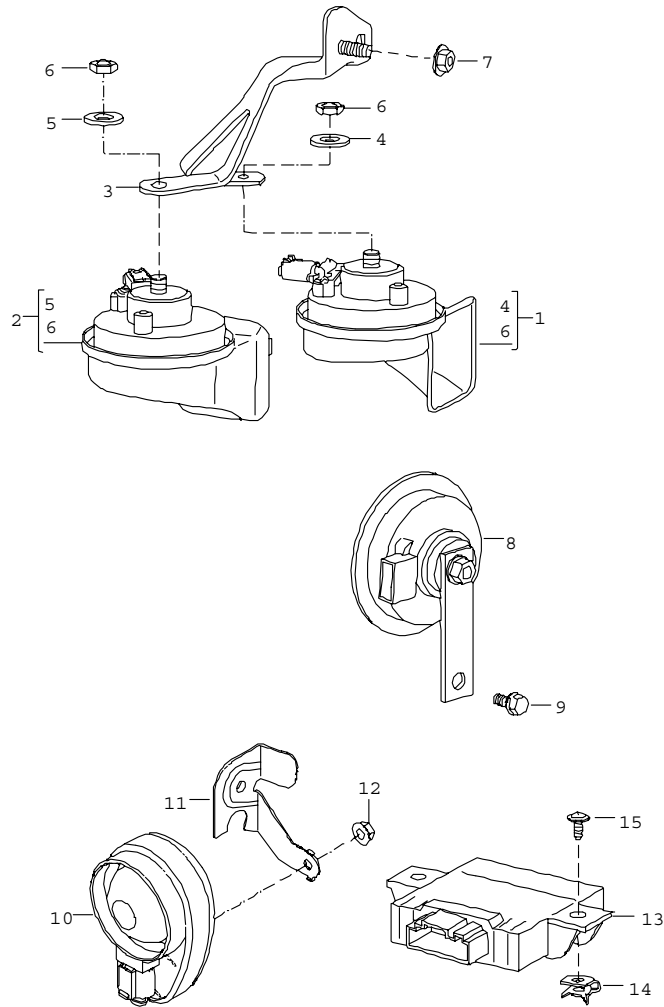
| | | | | | | | | |
|-------|------|----|----|--------------|--------------|--------|------|------------|
| Model | Year | MG | SG | Illustration | Restrictions | Update | 7:57 | 28.08.2006 |
| 997 | 07 | 9 | 02 | 902-50 | | 203 | | |

| Pos | Part Number | Name | Remarks | Qty | Model |
|-----|----------------|---|---------|-----|---------------------------|
| - | 997 622 714 00 | optical waveguide module | /LL | 1 | I098/670/672 I692 |
| - | 997 622 714 50 | optical waveguide module | /RL | 1 | I099/670/672 I692 |
| - | 997 622 715 00 | optical waveguide module | /LL | 1 | I098/664/670 I672/692 |
| - | 997 622 709 00 | optical waveguide module | /LL | 1 | I098/680/692 |
| - | 997 622 709 50 | optical waveguide module | /RL | 1 | I099/680/692 |
| - | 997 622 712 00 | optical waveguide module | /LL | 1 | I098/664/680 692 |
| - | 997 622 711 00 | optical waveguide module | /LL | 1 | I098/670/672 I680/692 |
| - | 997 622 711 50 | optical waveguide module | /RL | 1 | I099/670/672 I680/692 |
| - | 997 622 713 00 | optical waveguide module | /LL | 1 | I098/664/670 I672/680/692 |
| - | 997 610 122 00 | module front trunk C A R R E R A 4 / 4 S support connection point | | 1 | |
| - | 996 610 132 00 | cable guide t-piece front trunk | | X | |
| - | 997 622 723 00 | optical waveguide module | /LL | 1 | I098/670/672 |
| - | 997 622 723 50 | optical waveguide module | /RL | 1 | I099/670/672 |
| - | 997 622 705 00 | optical waveguide module | /LL | 1 | I098/680 |
| - | 997 622 705 50 | optical waveguide module | /RL | 1 | I099/680 |
| - | 997 622 721 00 | optical waveguide module | /LL | 1 | I098/692 |
| - | 997 622 721 50 | optical waveguide module | /RL | 1 | I099/692 |
| - | 997 622 722 00 | optical waveguide module | /LL | 1 | I098/664/670 672 |
| - | 997 622 726 00 | optical waveguide module | /LL | 1 | I098/664/680 |

| | | | | | | | | |
|-------|------|----|----|--------------|--------------|--------|------|------------|
| Model | Year | MG | SG | Illustration | Restrictions | Update | 7:57 | 28.08.2006 |
| 997 | 07 | 9 | 02 | 902-50 | | 203 | | |

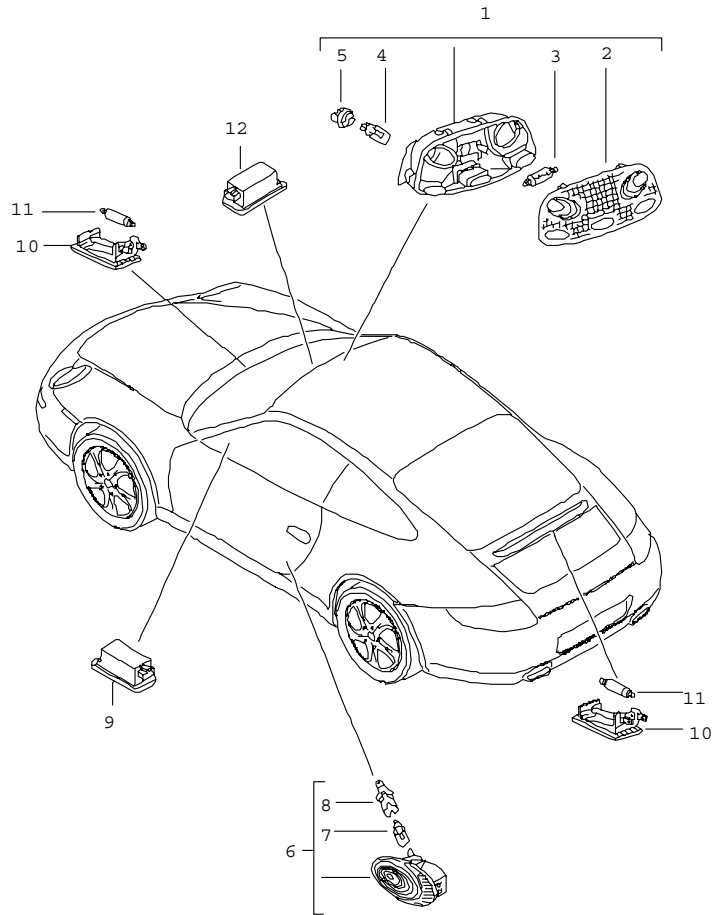
| Pos | Part Number | Name | Remarks | Qty | Model |
|-----|----------------|--------------------------|---------|-----|--------------------------|
| - | 997 622 728 00 | optical waveguide module | /LL | 1 | I098/664/692 |
| - | 997 622 718 00 | optical waveguide module | /LL | 1 | I098/670/672 680 |
| - | 997 622 718 50 | optical waveguide module | /RL | 1 | I099/670/672 680 |
| - | 997 622 717 00 | optical waveguide module | /LL | 1 | I098/664/670 672/680 |
| - | 997 622 724 00 | optical waveguide module | /LL | 1 | I098/670/672 692 |
| - | 997 622 724 50 | optical waveguide module | /RL | 1 | I099/670/672 692 |
| - | 997 622 725 00 | optical waveguide module | /LL | 1 | I098/664/670 672/692 |
| - | 997 622 716 00 | optical waveguide module | /LL | 1 | I098/680/692 |
| - | 997 622 716 50 | optical waveguide module | /RL | 1 | I099/680/692 |
| - | 997 622 727 00 | optical waveguide module | /LL | 1 | I098/664/680 692 |
| - | 997 622 719 00 | optical waveguide module | /LL | 1 | I098/670/672 680/692 |
| - | 997 622 719 50 | optical waveguide module | /RL | 1 | I099/670/672 680/692 |
| - | 997 622 720 00 | optical waveguide module | /LL | 1 | I098/664/670 672/680/692 |
| | | - - - E N D - - - | | | |

| | | | | | | | | | | | |
|-------|------|----|----|--------------|--------------|--------|------|------------|---------|-----|---------|
| Model | Year | MG | SG | Illustration | Restrictions | Update | 7:57 | 28.08.2006 | PORSCHE | PET | PORSCHE |
| 997 | 07 | 9 | 03 | 903-00 | | 203 | | | | | |



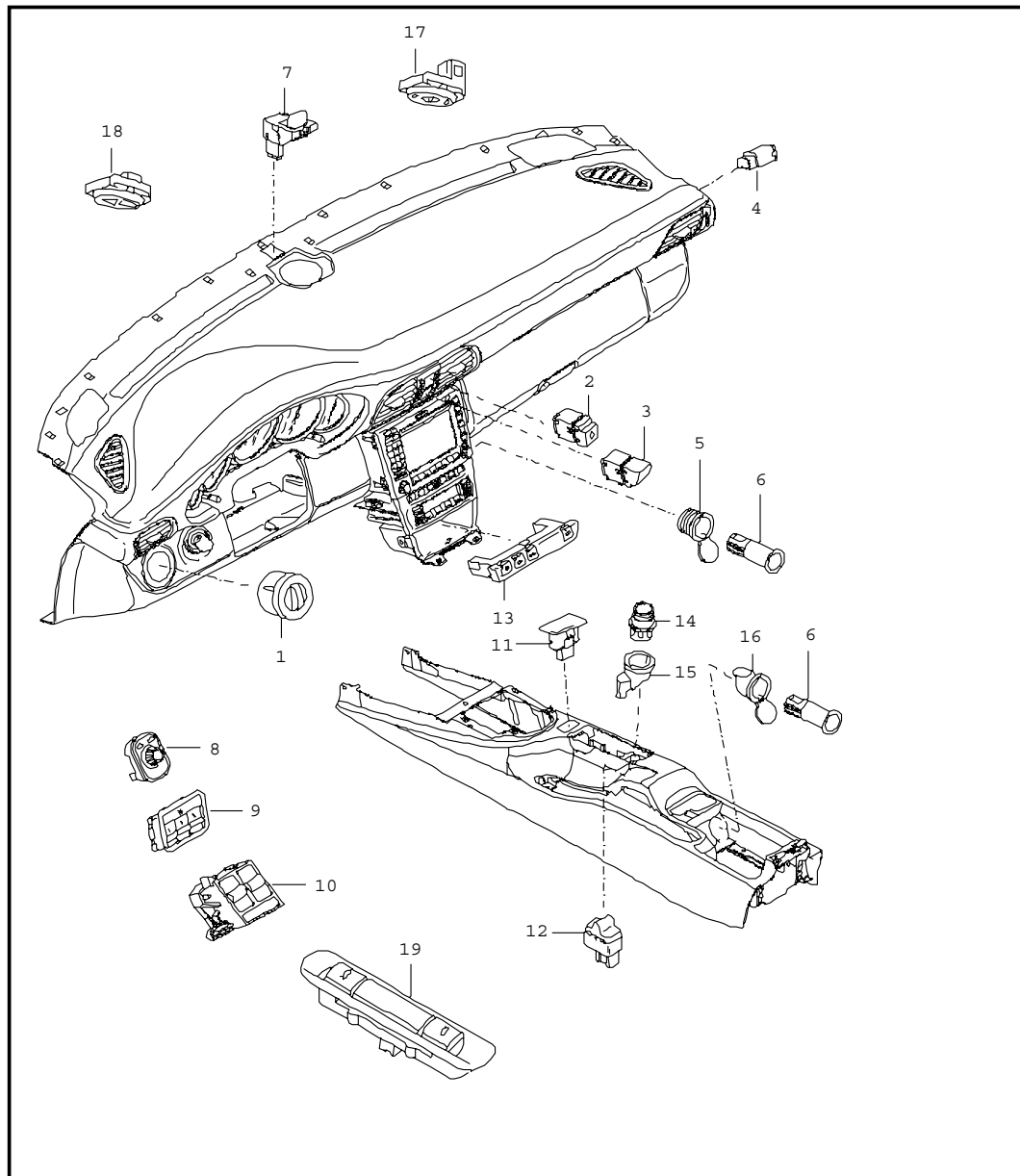
| Pos | Part Number | Name | Remarks | Qty | Model |
|-------------------|------------------|---------------------------------|---------|-----|-------|
| | | fanfare horn alarm system | | | I536 |
| 1 | 997 635 206 00 | fanfare high-pitched | -06 | 1 | |
| 1 | N 997 635 206 01 | fanfare high-pitched | 07 | 1 | |
| 2 | 997 635 205 00 | fanfare low-pitched | -06 | 1 | |
| 2 | N 997 635 205 01 | fanfare low-pitched | 07 | 1 | |
| 3 | 997 635 150 01 | support | -06 | 1 | |
| 3 | N 997 635 150 02 | support | 07 | 1 | |
| 4 | - | washer high-pitched | | 1 | |
| 5 | - | washer low-pitched | | 1 | |
| 6 | N 011 118 8 | hexagon nut M 8 | | 2 | |
| 7 | 900 377 003 02 | hexagon nut M 8 | | 1 | |
| 8 | 996 637 117 02 | horn for alarm system | | 1 | |
| 9 | 900 075 459 09 | screw M 6 X 12 Z2 | | 1 | |
| 10 | A 955 618 237 00 | alarm siren | | 1 | I536 |
| 10 | 955 618 237 01 | alarm siren | | 1 | I536 |
| 11 | 997 637 419 01 | support | | 1 | I536 |
| 12 | 900 380 015 09 | hexagon nut M 6 | | 1 | I536 |
| 13 | 997 618 265 00 | tilt sensor | | 1 | I536 |
| 14 | 999 591 742 02 | speed nut 4,2 | | 2 | I536 |
| 15 | 999 073 155 09 | tapping screw 4,2 X 13 | | 2 | I536 |
| - - - E N D - - - | | | | | |

| | | | | | | | | | | | |
|-------|------|----|----|--------------|--------------|--------|------|------------|---------|-----|---------|
| Model | Year | MG | SG | Illustration | Restrictions | Update | 7:57 | 28.08.2006 | PORSCHE | PET | PORSCHE |
| 997 | 07 | 9 | 03 | 903-04 | | 203 | | | | | |



| Pos | Part Number | Name | Remarks | Qty | Model |
|-----|----------------|---|---------|-----|-------|
| | | interior lights luggage boot lamp engine compartment lamp glove compartment light floor light | | | |
| 1 | 997 632 051 00 | interior light | | 1 | |
| 2 | 996 632 151 00 | lens | | 1 | |
| 3 | 900 631 106 90 | bulb 10 W | | 1 | |
| 4 | 999 631 134 90 | bulb 6 W | | 2 | |
| 5 | 999 632 018 00 | bulb holder | | 2 | |
| 6 | 996 632 132 01 | door guard light | | 2 | |
| 7 | 999 631 032 90 | bulb 5 W | | 2 | |
| 8 | 161 949 111 | bulb holder | | 2 | |
| 9 | 955 632 202 00 | light footwell | | 2 | |
| 10 | 997 632 201 00 | light engine compartment luggage compartment | | 2 | |
| 11 | 900 631 106 90 | bulb 10 W | | 2 | |
| 12 | 997 632 071 00 | glove compartment light | | 1 | |
| - | 999 631 137 90 | bulb 3 W make-up mirror | | 4 | |
| | | - - - E N D - - - | | | |

| | | | | | | | | | | | |
|-------|------|----|----|--------------|--------------|--------|------|------------|---------|-----|---------|
| Model | Year | MG | SG | Illustration | Restrictions | Update | 7:57 | 28.08.2006 | PORSCHE | PET | PORSCHE |
| 997 | 07 | 9 | 03 | 903-05 | | 203 | | | | | |



| Pos | Part Number | Name | Remarks | Qty | Model |
|-----|----------------|-----------------------------|---------|-----|------------|
| 1 | 997 613 535 01 | switch | | 1 | |
| | A05 | light switch | | | |
| | A05 | black mat | | | |
| 2 | 997 613 120 02 | hazard warning light sw. | | 1 | |
| | A05 | black mat | | | |
| 3 | 997 613 143 00 | switch | | 1 | |
| | | central locking system | | | |
| | A05 | black mat | | | |
| 4 | 955 613 165 01 | switch | 05 | 1 | |
| | | airbag | | | |
| | B41 | satin black | | | |
| 4 P | 955 613 165 02 | switch | 06- | 1 | |
| | | airbag | | | |
| | 9B9 | satin black | | | |
| 5 | 997 652 103 00 | clamping ring | | 1 | |
| | | with cover | | | |
| 6 | 955 652 107 00 | socket | | 2 | |
| 7 | 997 653 251 00 | sensor | | 1 | I573 |
| | | air conditioner | | | |
| 8 | 997 613 241 00 | switch | | 1 | |
| | | door mirror | | | |
| | A05 | black mat | | | |
| 9 | 997 613 103 00 | memory switch | /L | 1 | I537 |
| | A05 | black mat | | | |
| (9) | 997 613 104 00 | memory switch | /R | 1 | I538 |
| | A05 | black mat | | | |
| 10 | 997 613 151 02 | switch | /LL 05 | 1 | COUPE I098 |
| | | power windows driver's side | | | |
| | A05 | black mat | | | |
| 10 | 997 613 151 03 | switch | /LL 06- | 1 | COUPE I098 |
| | | power windows driver's side | | | |
| | A05 | black mat | | | |

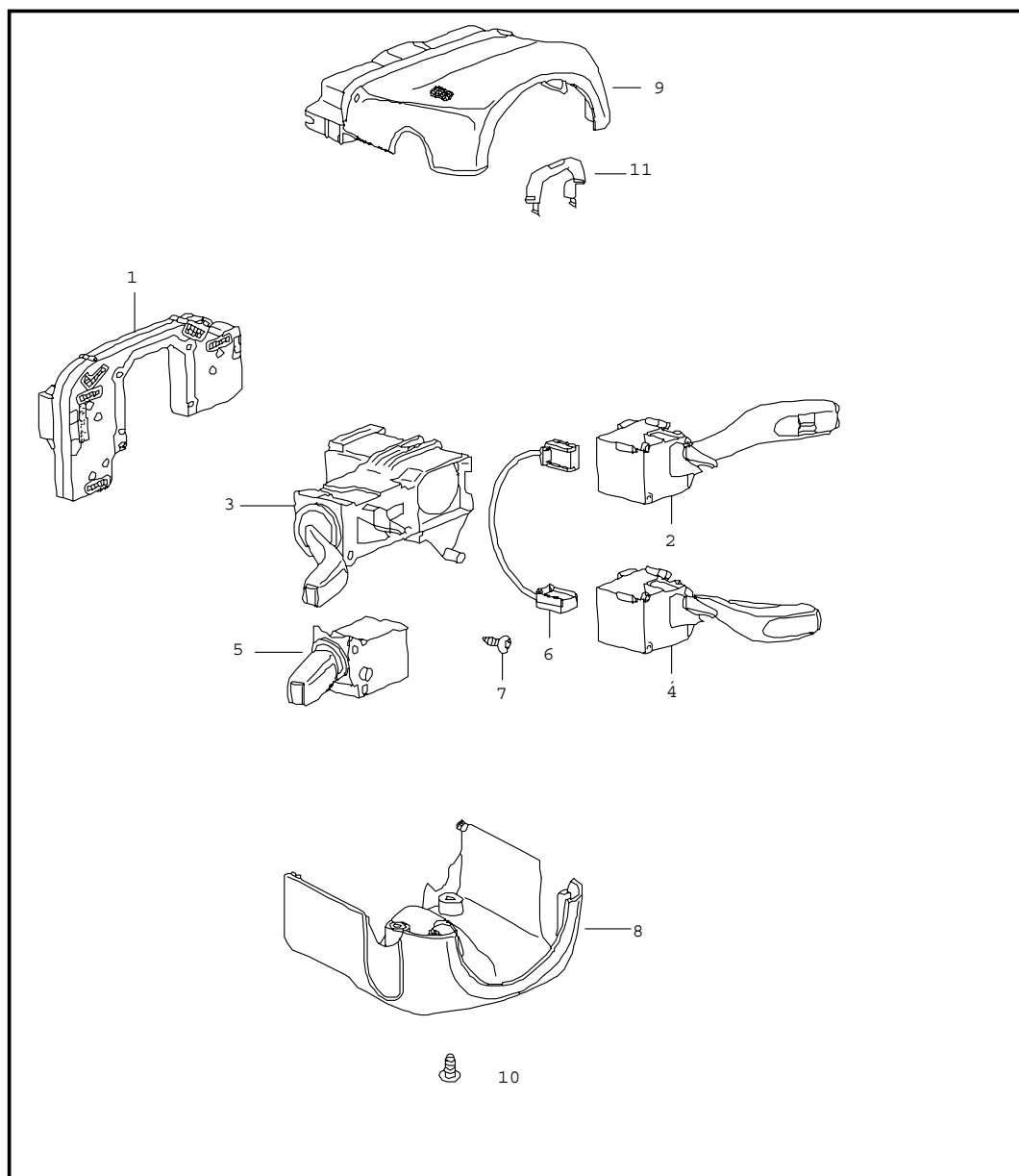
| | | | | | | | | | | | |
|-------|------|----|----|--------------|--------------|--------|------|------------|---------|-----|---------|
| Model | Year | MG | SG | Illustration | Restrictions | Update | 7:57 | 28.08.2006 | PORSCHE | PET | PORSCHE |
| 997 | 07 | 9 | 03 | 903-05 | | 203 | | | | | |

| Pos | Part Number | Name | Remarks | Qty | Model | Pos | Part Number | Name | Remarks | Qty | Model |
|------|----------------|---|---------|-----|-------------|------|------------------|-------------------------------------|---------|-----|----------------------|
| (10) | 997 613 152 02 | switch power windows driver's side | /RL 05 | 1 | COUPE I099 | | A05 | black mat | | | |
| | A05 | black mat | | | | 11 | 997 641 165 00 | indicator light airbag | | 1 | |
| (10) | 997 613 152 03 | switch power windows driver's side | /RL 06- | 1 | COUPE I099 | | A05 | black mat | | | |
| | A05 | black mat | | | | 12 | 997 613 141 01 | switch folding top control | | 1 | CABRIO |
| (10) | 997 613 153 02 | switch power windows driver's side | /LL 05 | 1 | CABRIO I098 | (12) | - | cover see group 8/09/20 POS.6 | | | COUPE |
| | A05 | black mat | | | | 13 | 997 613 139 00 | combined switch | | 1 | I475/476/639 I640 |
| (10) | 997 613 153 03 | switch power windows driver's side | /LL 06- | 1 | CABRIO I098 | | FMH | volcano grey/black mat | | | |
| | A05 | black mat | | | | (13) | 997 613 137 00 | combined switch | | 1 | I476/639/640 |
| (10) | 997 613 154 02 | switch power windows driver's side | /RL 05 | 1 | CABRIO I099 | | FMH | volcano grey/black mat | | | |
| | A05 | black mat | | | | (13) | 997 613 135 00 | combined switch | | 1 | I475/476 |
| (10) | 997 613 154 03 | switch power windows driver's side | /RL 06- | 1 | CABRIO I099 | | FMH | volcano grey/black mat | | | |
| | A05 | black mat | | | | (13) | 997 613 131 00 | combined switch | | 1 | IXLF/475/476 |
| (10) | 997 613 156 02 | switch power windows passenger's side | /LL 05 | 1 | I098 | | FMH | volcano grey/black mat | | | |
| | A05 | black mat | | | | (13) | 997 613 129 00 | combined switch | | 1 | IXLF/476 |
| (10) | 997 613 156 03 | switch power windows passenger's side | /LL 06- | 1 | I098 | 14 | 996 652 101 10 | cigarette lighter | | 1 | |
| | A05 | black mat | | | | 15 | 997 652 102 00 | headlight unit | | 1 | |
| (10) | 997 613 155 02 | switch power windows passenger's side | /RL 05 | 1 | I099 | 16 | 997 652 104 00 | clamping ring with cover | | 1 | |
| | A05 | black mat | | | | 17 | 997 613 147 00 | switch sunroof | | 1 | I650 |
| (10) | 997 613 155 03 | switch power windows passenger's side | /RL 06- | 1 | I099 | | A05 | black mat | | | |
| | | | | | | 18 | A 997 613 225 00 | switch garage door opener | /L | 1 | I607/I608 |

| | | | | | | | | | | | |
|-------|------|----|----|--------------|--------------|--------|------|------------|---------|-----|---------|
| Model | Year | MG | SG | Illustration | Restrictions | Update | | | | | |
| 997 | 07 | 9 | 03 | 903-05 | | 203 | 7:57 | 28.08.2006 | PORSCHE | PET | PORSCHE |

| Pos | Part Number | Name | Remarks | Qty | Model | Pos | Part Number | Name | Remarks | Qty | Model |
|------|----------------|-----------------------------------|---------|-----|-----------|-----|-------------|------|---------|-----|-------|
| | A05 | black mat | | | | | | | | | |
| 18 | 997 613 225 01 | switch garage door opener | /L | 1 | I607/I608 | | | | | | |
| | A05 | black mat | | | | | | | | | |
| (18) | 997 613 227 00 | switch garage door opener | /R 05 | 1 | I607/I608 | | | | | | |
| | A05 | black mat | | | | | | | | | |
| (18) | 997 613 227 01 | switch garage door opener | /R 06- | 1 | I607/I608 | | | | | | |
| | A05 | black mat | | | | | | | | | |
| (18) | 997 613 235 00 | cover | | 2 | | | | | | | |
| | 01C | satin black | | | | | | | | | |
| 19 | 997 613 105 00 | switch cover front and rear | | 1 | | | | | | | |
| | A05 | black mat | | | | | | | | | |
| | | - - - E N D - - - | | | | | | | | | |

| | | | | | | | | | | | |
|-------|------|----|----|--------------|--------------|--------|------|------------|---------|-----|---------|
| Model | Year | MG | SG | Illustration | Restrictions | Update | 7:58 | 28.08.2006 | PORSCHE | PET | PORSCHE |
| 997 | 07 | 9 | 03 | 903-10 | | 203 | | | | | |

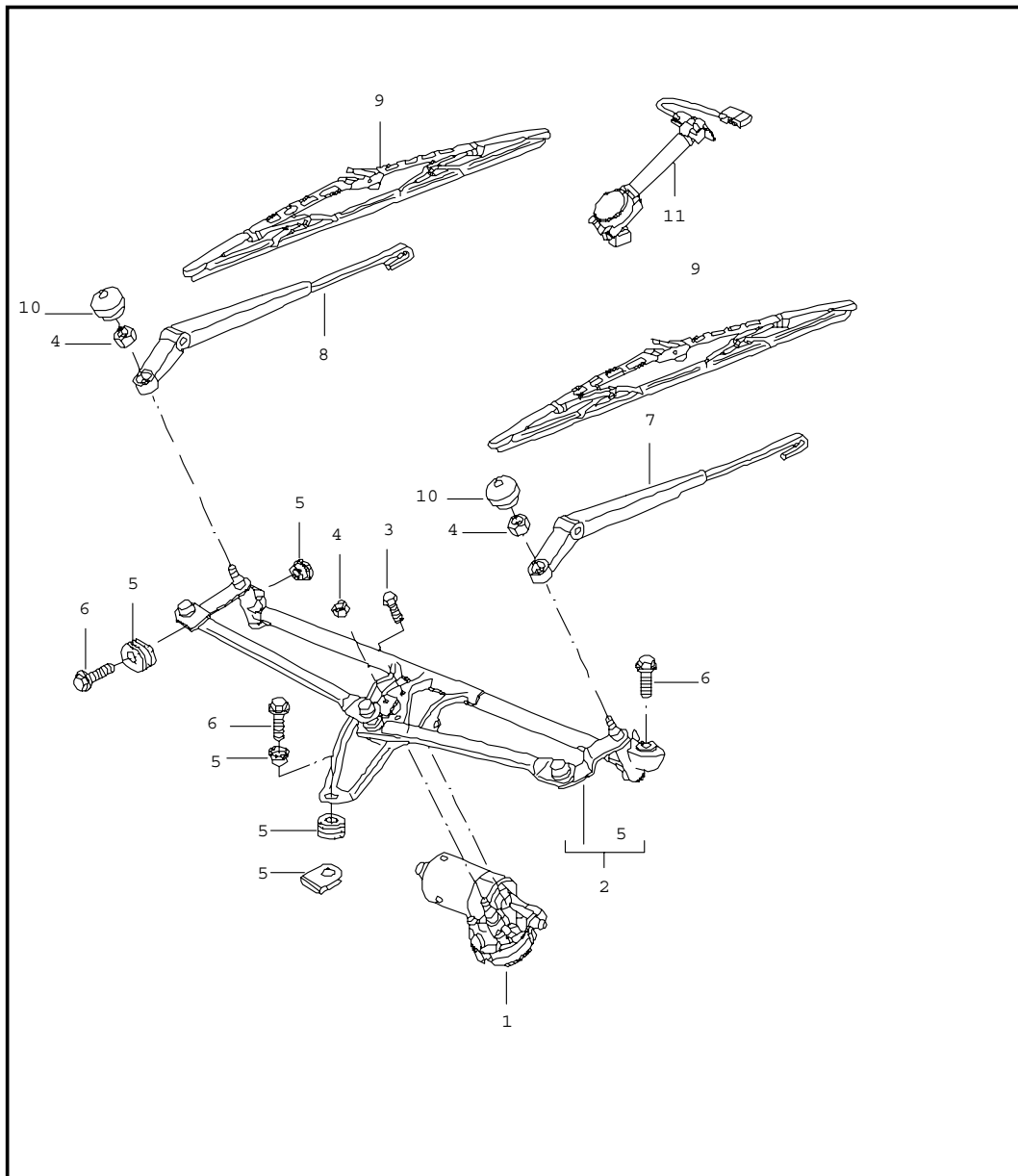


| Pos | Part Number | Name | Remarks | Qty | Model |
|-----|----------------|------------------------------------|---------|-----|-----------|
| | | steering column switch | | | |
| 1 | 997 613 291 02 | electronic unit | | 1 | |
| 2 | 997 613 251 00 | wiper switch | | 1 | |
| | 01C | satin black | | | |
| (2) | 997 613 253 00 | wiper switch | | 1 | I288 |
| | 01C | satin black | | | |
| (2) | 997 613 255 00 | wiper switch | | 1 | I425 |
| | 01C | satin black | | | |
| (2) | 997 613 257 00 | wiper switch | | 1 | I288/I425 |
| | 01C | satin black | | | |
| 3 | 997 613 245 00 | direction indicator switch | | 1 | |
| | 01C | satin black | | | |
| 4 | 997 613 261 00 | switch cruise control | | 1 | I454 |
| | 01C | satin black | | | |
| 5 | 997 613 265 00 | switch on-board computer | | 1 | I659 |
| | 01C | satin black | | | |
| 6 | 997 622 674 00 | wiring harness cruise control | | 1 | I454 |
| 7 | N 909 068 01 | torx screw M 2,5 X 2,6 X 43,5-D | | X | |
| 8 | 997 552 475 02 | switch housing lower | | 1 | |
| | A03 | black | | | |
| (8) | 997 552 475 03 | switch housing lower | | 1 | I454 |
| | A03 | black | | | |
| 8 | 997 552 979 00 | switch housing lower leather | 06- | 1 | IXNS |
| | A11 | black | | | |
| | 5X6 | stone grey | | | |

| | | | | | | | | | | | |
|-------|------|----|----|--------------|--------------|--------|------|------------|---------|-----|---------|
| Model | Year | MG | SG | Illustration | Restrictions | Update | | | | | |
| 997 | 07 | 9 | 03 | 903-10 | | 203 | 7:58 | 28.08.2006 | PORSCHE | PET | PORSCHE |

| Pos | Part Number | Name | Remarks | Qty | Model | Pos | Part Number | Name | Remarks | Qty | Model |
|-----|----------------|------------------------------------|---------|-----|----------|-----|----------------|-----------------------------|---------|-----|-------|
| | 8G2 | sand beige | | | | | D12 | dark grey/natural | | | |
| | 3S9 | sea blue | | | | | T12 | brown/natural | | | |
| | 4P2 | palmgreen | | | | 10 | 999 919 136 02 | oval-head screw 3,5 X 18 | | 3 | |
| | 9S5 | terracotta | | | | 11 | 997 610 206 00 | cable guide | | 1 | |
| | 9V6 | cocoa | | | | | | - - - E N D - - - | | | |
| | D12 | dark grey/natural | | | | | | | | | |
| | T12 | brown/natural | | | | | | | | | |
| (8) | 997 552 979 01 | switch housing lower leather | 06- | 1 | IXNS/454 | | | | | | |
| | A11 | black | | | | | | | | | |
| | 5X6 | stone grey | | | | | | | | | |
| | 8G2 | sand beige | | | | | | | | | |
| | 3S9 | sea blue | | | | | | | | | |
| | 4P2 | palmgreen | | | | | | | | | |
| | 9S5 | terracotta | | | | | | | | | |
| | 9V6 | cocoa | | | | | | | | | |
| | D12 | dark grey/natural | | | | | | | | | |
| | T12 | brown/natural | | | | | | | | | |
| 9 | 997 552 273 02 | switch housing upper | | 1 | | | | | | | |
| | A03 | black | | | | | | | | | |
| 9 | 997 552 997 00 | switch housing upper leather | 06- | 1 | IXNS | | | | | | |
| | A11 | black | | | | | | | | | |
| | 5X6 | stone grey | | | | | | | | | |
| | 8G2 | sand beige | | | | | | | | | |
| | 3S9 | sea blue | | | | | | | | | |
| | 4P2 | palmgreen | | | | | | | | | |
| | 9S5 | terracotta | | | | | | | | | |
| | 9V6 | cocoa | | | | | | | | | |

| | | | | | | | | | | | |
|-------|------|----|----|--------------|--------------|--------|------|------------|---------|-----|---------|
| Model | Year | MG | SG | Illustration | Restrictions | Update | 7:58 | 28.08.2006 | PORSCHE | PET | PORSCHE |
| 997 | 07 | 9 | 04 | 904-00 | | 203 | | | | | |

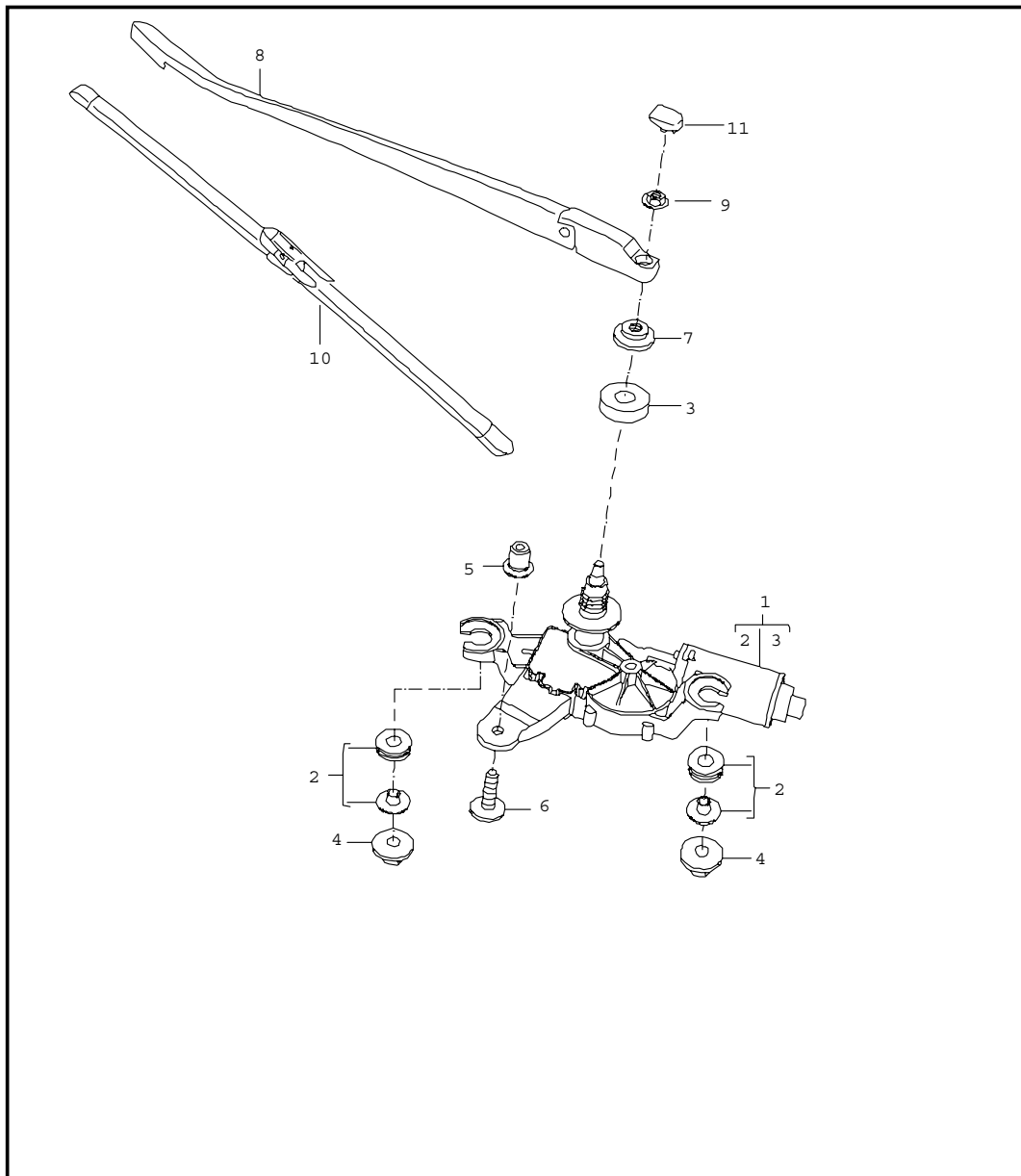


| Pos | Part Number | Name | Remarks | Qty | Model |
|-----|----------------|---|---------|-----|------------|
| | | windscreen wiper system rain sensor | | | |
| 1 | 997 624 105 00 | wiper motor | /LL | 1 | I098 |
| (1) | 997 624 106 00 | wiper motor | /RL | 1 | I099 |
| 2 | 997 628 235 00 | crank drive | /LL | 1 | I098 |
| (2) | 997 628 236 00 | crank drive | /RL | 1 | I099 |
| 3 | 999 073 359 09 | torx screw M 6 X 18 | | 3 | |
| 4 | 900 076 064 01 | hexagon nut M 8 | | 3 | |
| 5 | 997 628 928 00 | repair kit comprising: | | 1 | |
| - | - | sleeve | | 1 | |
| - | - | rubber bush | | 1 | |
| - | - | sleeve | | 1 | |
| - | - | rubber bush | | 1 | |
| - | - | clamp | | 2 | |
| 6 | 999 075 075 09 | screw M 6 X 22 SC | | 3 | |
| 7 | 996 628 028 00 | wiper arm driver's side | /LL | 1 | I098 |
| (7) | 996 628 027 01 | wiper arm passenger's side | /RL | 1 | I099 |
| 8 | 996 628 028 01 | wiper arm passenger's side | /LL | 1 | I098 |
| (8) | 996 628 027 00 | wiper arm driver's side | /RL | 1 | I099 |
| 9 | 996 628 901 08 | wiper blade set driver's side passenger's side | | 1 | |
| 10 | 944 628 305 01 | cap | | 2 | |
| 11 | 997 612 693 00 | rain sensor with wiring harness | | 1 | COUPE I268 |

| | | | | | | | | | | | |
|-------|------|----|----|--------------|--------------|--------|------|------------|---------|-----|---------|
| Model | Year | MG | SG | Illustration | Restrictions | Update | | | | | |
| 997 | 07 | 9 | 04 | 904-00 | | 203 | 7:58 | 28.08.2006 | PORSCHE | PET | PORSCHE |

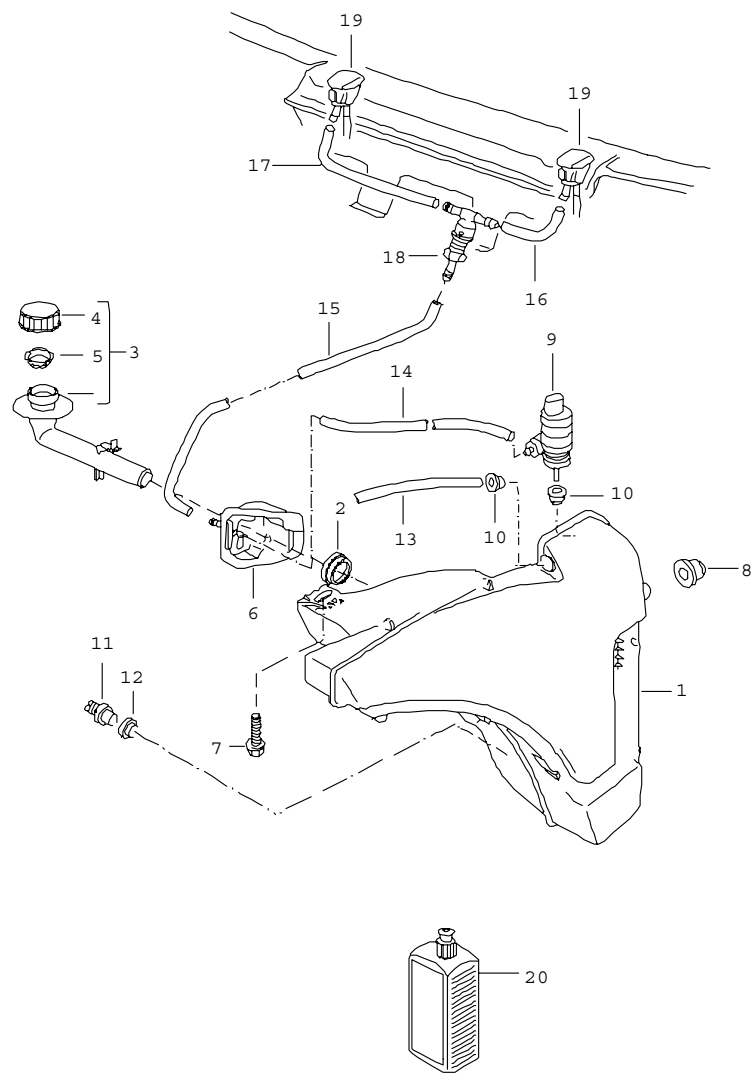
| Pos | Part Number | Name | Remarks | Qty | Model | Pos | Part Number | Name | Remarks | Qty | Model |
|------|----------------|--|---------|-----|----------------------|-----|-------------|------|---------|-----|-------|
| (11) | 997 612 693 25 | rain sensor with wiring harness | | 1 | CABRIO I268 | | | | | | |
| (11) | 997 612 694 00 | rain sensor with wiring harness | | 1 | COUPE I267/ I268 | | | | | | |
| (11) | 997 612 694 25 | rain sensor with wiring harness | | 1 | CABRIO I267/ I268 | | | | | | |
| - | 000 043 204 65 | adhesive film for rain sensor | | 1 | | | | | | | |
| (11) | 997 612 695 00 | wiring harness with light for cars without rain sensor | | 1 | COUPE | | | | | | |
| (11) | 997 612 695 25 | wiring harness with light for cars without rain sensor | | 1 | CABRIO | | | | | | |
| | | - - - E N D - - - | | | | | | | | | |

| | | | | | | | | | | | |
|-------|------|----|----|--------------|--------------|--------|------|------------|---------|-----|---------|
| Model | Year | MG | SG | Illustration | Restrictions | Update | 7:58 | 28.08.2006 | PORSCHE | PET | PORSCHE |
| 997 | 07 | 9 | 04 | 904-05 | | 203 | | | | | |



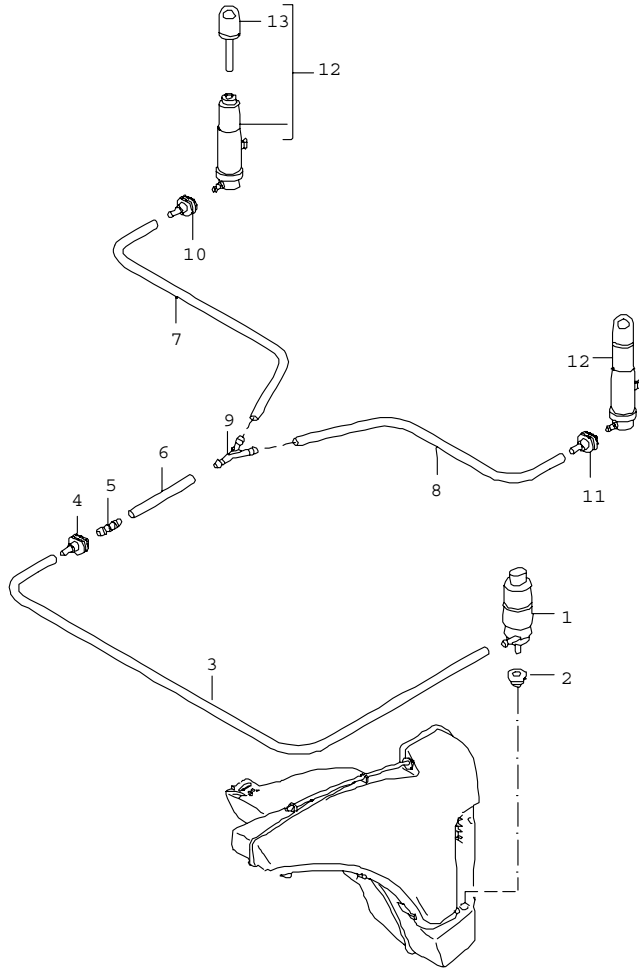
| Pos | Part Number | Name | Remarks | Qty | Model |
|-----|----------------|---------------------------|---------|-----|-------|
| | | rear window wiper | | | I425 |
| 1 | 997 628 080 00 | wiper motor | | 1 | COUPE |
| 2 | 997 628 908 00 | repair kit comprising: | | 1 | |
| - | - | grommet | | 2 | |
| - | - | bush | | 2 | |
| 3 | 997 628 910 00 | sealing ring | | 1 | |
| 4 | 999 076 078 09 | hexagon nut M 6 | | 2 | |
| 5 | 999 500 078 00 | sheetmetal press nut | | 1 | |
| 6 | 999 075 075 09 | screw M 6 X 22 Z2 | | 1 | |
| 7 | 997 628 273 00 | grommet | | 1 | |
| 8 | 997 628 169 00 | wiper arm | | 1 | COUPE |
| 9 | 900 377 003 02 | hexagon nut | | 1 | |
| 10 | 997 628 189 00 | wiper blade | | 1 | |
| 11 | 997 628 122 00 | cap | | 1 | |
| | | - - - E N D - - - | | | |

| | | | | | | | | | | | |
|-------|------|----|----|--------------|--------------|--------|------|------------|---------|-----|---------|
| Model | Year | MG | SG | Illustration | Restrictions | Update | 7:58 | 28.08.2006 | PORSCHE | PET | PORSCHE |
| 997 | 07 | 9 | 04 | 904-10 | | 203 | | | | | |



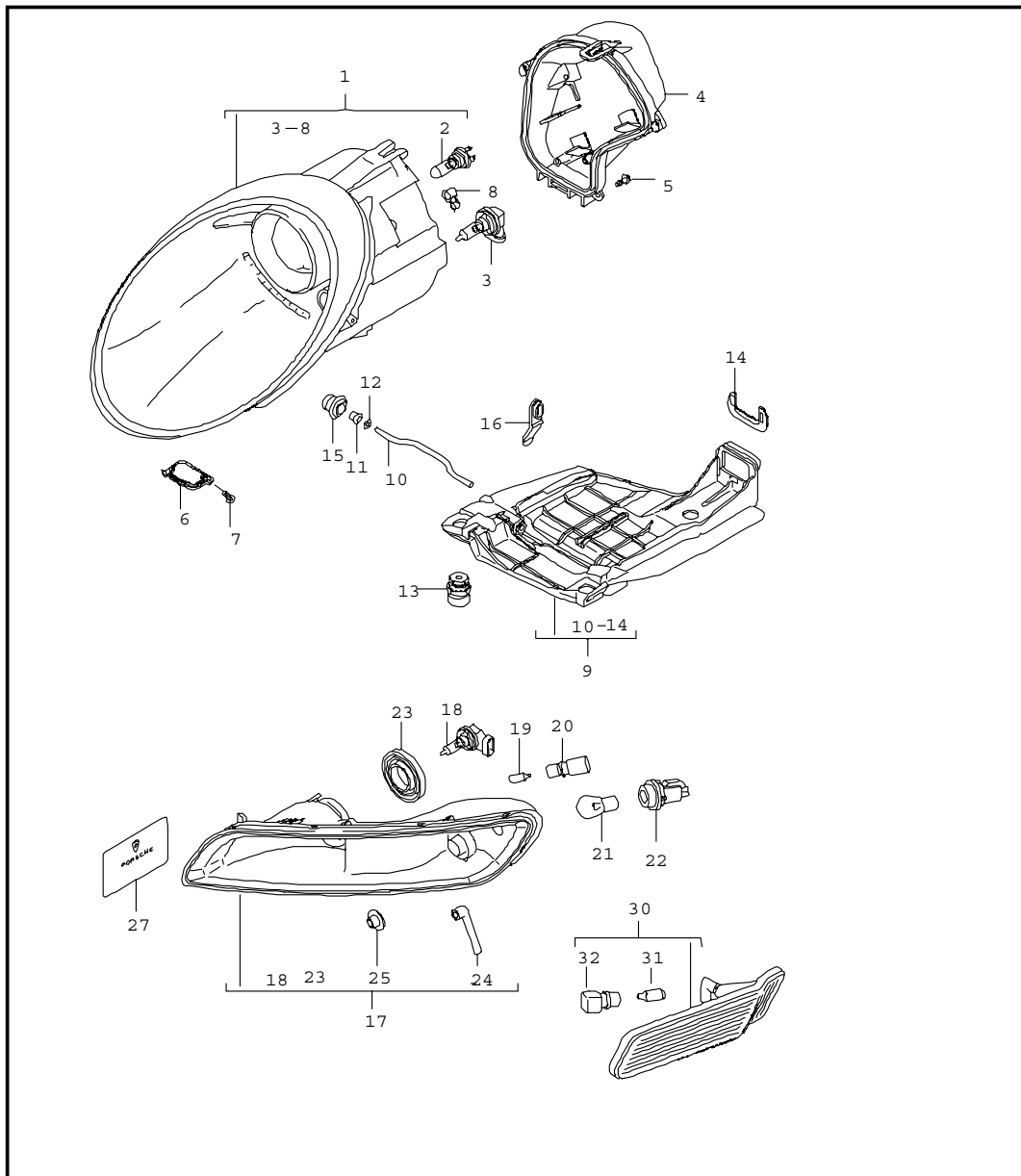
| Pos | Part Number | Name | Remarks | Qty | Model |
|------|----------------|---|---------|-----|-------|
| | | windscreen washer system | | | |
| 1 | 997 528 701 01 | water reservoir | | 1 | I288 |
| (1) | 997 528 701 00 | water reservoir | | 1 | |
| 2 | 996 528 711 00 | gasket | | 1 | |
| 3 | 997 528 605 00 | filler neck | | 1 | |
| 4 | 996 528 607 00 | cover | | 1 | |
| 5 | 997 528 621 00 | strainer | | 1 | |
| 6 | 996 528 615 01 | bracket | | 1 | |
| - | 999 137 091 40 | socket repair material for bracket 996.528.615.01 | | X | |
| 7 | 900 378 154 09 | hexagon-head bolt AM 8 X 35 SB | | 1 | |
| 8 | 999 702 221 40 | grommet | | 2 | |
| 9 | 997 628 182 00 | pump | | 1 | |
| 10 | 431 955 465 B | gasket | | 2 | |
| 11 | 955 628 105 00 | tank gauge | | 1 | |
| 12 | 955 528 721 00 | gasket | | 1 | |
| 13 | 999 181 347 40 | breather pipe 273 MM | | * | |
| - | 999 181 815 40 | hose 5,0 X 2,5 | | * | |
| 14 | - | 375 MM | | 1 | |
| 15 | - | 650 MM | | 1 | |
| 16 | - | 97 MM | | 1 | |
| 17 | - | 347 MM | | 1 | |
| (18) | 999 137 005 40 | t-piece | | 1 | |
| 19 A | 996 628 077 01 | nozzle | 05 | 2 | |
| 19 | 996 628 077 03 | nozzle when required order also: | | 2 | |
| - N | 997 612 976 00 | repair kit wiring harness | | 2 | |

| | | | | | | | | | | | |
|-------|------|----|----|--------------|--------------|--------|------|------------|---------|-----|---------|
| Model | Year | MG | SG | Illustration | Restrictions | Update | 7:58 | 28.08.2006 | PORSCHE | PET | PORSCHE |
| 997 | 07 | 9 | 04 | 904-20 | | 203 | | | | | |



| Pos | Part Number | Name | Remarks | Qty | Model |
|-----|----------------|-------------------------|---------|-----|-------|
| | | headlight washer system | | | I288 |
| 1 | 997 624 502 00 | pump | | 1 | |
| 2 | 928 628 193 00 | gasket | | 1 | |
| - | 000 043 204 79 | hose 8 X 3 | | * | |
| 3 | - | 890 MM | | 1 | |
| 4 | 996 628 204 00 | quick-connecting lock | | 1 | |
| 5 | 997 628 208 00 | hose connection | | 1 | |
| - | 999 181 760 40 | hose 10 X 3 | | * | |
| 6 | - | 440 MM | | | |
| 7 | - | 80 MM | | | |
| 8 | - | 1850 MM | | | |
| 9 | 999 137 093 40 | y-piece | | 1 | |
| 10 | 997 628 204 00 | quick-connecting lock | | 1 | |
| 11 | 997 628 205 00 | quick-connecting lock | | 1 | |
| 12 | 997 628 133 00 | nozzle | | 2 | |
| 13 | 997 628 231 00 | nozzle head | | 2 | |
| | | - - - E N D - - - | | | |

| | | | | | | | | | | | |
|-------|------|----|----|--------------|--------------|--------|------|------------|---------|-----|---------|
| Model | Year | MG | SG | Illustration | Restrictions | Update | 7:59 | 28.08.2006 | PORSCHE | PET | PORSCHE |
| 997 | 07 | 9 | 05 | 905-00 | | 203 | | | | | |

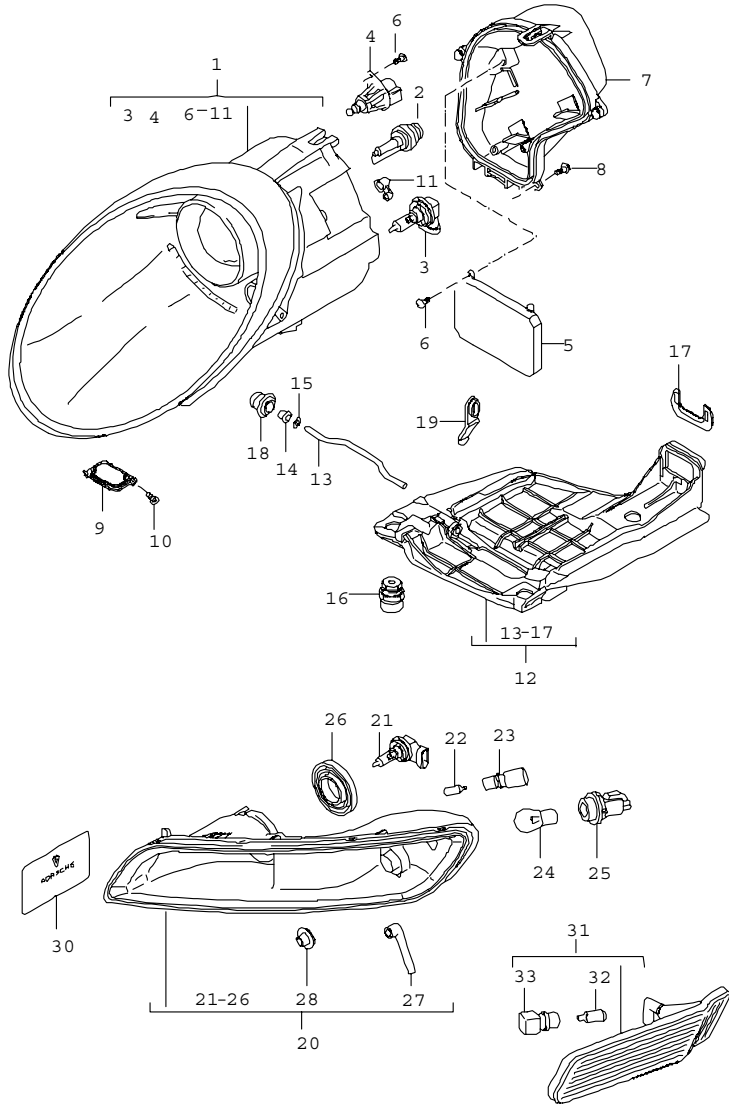


| Pos | Part Number | Name | Remarks | Qty | Model |
|-----|------------------|---|---------|-----|-------|
| | | headlamp additional headlamp side turn signal | | | |
| 1 | A 997 631 163 01 | headlamp F >>995S7 50819 | /L | 1 | |
| 1 | 997 631 163 02 | headlamp | /L | 1 | |
| (1) | A 997 631 164 01 | headlamp F >>995S7 50819 | /R | 1 | |
| (1) | 997 631 164 02 | headlamp | /R | 1 | |
| 1 | A 997 631 163 11 | headlamp F >>995S7 50745 | /L | 1 | I492 |
| 1 | 997 631 163 12 | headlamp | /L | 1 | I492 |
| (1) | A 997 631 164 11 | headlamp F >>995S7 50745 | /R | 1 | I492 |
| (1) | 997 631 164 12 | headlamp | /R | 1 | I492 |
| 2 | 999 631 133 91 | halogen bulb H 7 | | 2 | |
| 3 | 999 631 143 90 | halogen bulb H 9 | | 2 | |
| 4 | 997 631 101 00 | protective cap | /L | 1 | |
| (4) | 997 631 102 00 | protective cap | /R | 1 | |
| 5 | 997 631 191 00 | screw | | 8 | |
| 6 | 997 631 149 00 | ventilation component | /L | 1 | |
| (6) | 997 631 150 00 | ventilation component | /R | 1 | |
| 7 | 997 631 153 00 | screw | | 4 | |
| 8 | 997 631 249 00 | breather adapter | | 2 | |
| 9 | A 997 631 073 00 | mounting F >>995S7 50819 F >>995S7 50745 | /L | 1 | I492 |
| 9 | 997 631 073 01 | mounting | /L | 1 | |
| (9) | A 997 631 074 00 | mounting F >>995S7 50819 F >>995S7 50745 | /R | 1 | I492 |
| (9) | 997 631 074 01 | mounting | /R | 1 | |

| | | | | | | | | | | | |
|-------|------|----|----|--------------|--------------|--------|------|------------|---------|-----|---------|
| Model | Year | MG | SG | Illustration | Restrictions | Update | | | | | |
| 997 | 07 | 9 | 05 | 905-00 | | 203 | 7:59 | 28.08.2006 | PORSCHE | PET | PORSCHE |

| Pos | Part Number | Name | Remarks | Qty | Model | Pos | Part Number | Name | Remarks | Qty | Model |
|------|------------------|--|---------|-----|-------|-----|----------------|-----------------------|---------|-----|-------|
| 10 | A 997 631 273 00 | clamping bow F >>995S7 50819 F >>995S7 50745 | | 2 | I492 | 31 | 999 631 138 90 | bulb 5 W yellow | | 2 | |
| 10 | 997 631 273 01 | clamping bow | | 2 | | 32 | 997 631 133 00 | bulb holder | | 2 | |
| 11 | 997 631 272 00 | bearing sleeve | | 2 | | | | - - - E N D - - - | | | |
| 12 | 900 116 004 09 | lock washer | | 2 | | | | | | | |
| 13 | 997 631 194 00 | fastening part | | 6 | | | | | | | |
| 14 | 997 631 245 00 | locking device connector housing | | 2 | | | | | | | |
| 15 | 999 703 413 40 | plug | | 2 | | | | | | | |
| 16 | 993 631 170 03 | plug | | 6 | | | | | | | |
| | | additional headlamp | | | | | | | | | |
| 17 | 997 631 081 01 | additional headlamp | /L | 1 | | | | | | | |
| (17) | 997 631 082 01 | additional headlamp | /R | 1 | | | | | | | |
| 18 | 999 631 142 90 | halogen bulb H 8 | | 2 | | | | | | | |
| 19 | 999 631 033 90 | bulb 5 W position light | | 2 | | | | | | | |
| 20 | 997 631 137 00 | bulb holder position light | | 2 | | | | | | | |
| 21 | 900 631 021 90 | bulb 21 W direction indicator light | | 2 | | | | | | | |
| 22 | 997 631 139 00 | bulb holder direction indicator light | | 2 | | | | | | | |
| 23 | 997 631 145 00 | cap | | 2 | | | | | | | |
| 24 | 997 631 147 00 | breather adapter | | 2 | | | | | | | |
| 25 | 997 631 293 00 | cover | | 4 | | | | | | | |
| 27 | 997 631 231 00 | card for release additional headlamp | | 1 | | | | | | | |
| | | side turn signal | | | | | | | | | |
| 30 | 997 631 033 01 | side turn signal | /L | 1 | | | | | | | |
| (30) | 997 631 034 01 | side turn signal | /R | 1 | | | | | | | |

| | | | | | | | | | | | |
|-------|------|----|----|--------------|--------------|--------|------|------------|---------|-----|---------|
| Model | Year | MG | SG | Illustration | Restrictions | Update | 7:59 | 28.08.2006 | PORSCHE | PET | PORSCHE |
| 997 | 07 | 9 | 05 | 905-01 | | 203 | | | | | |

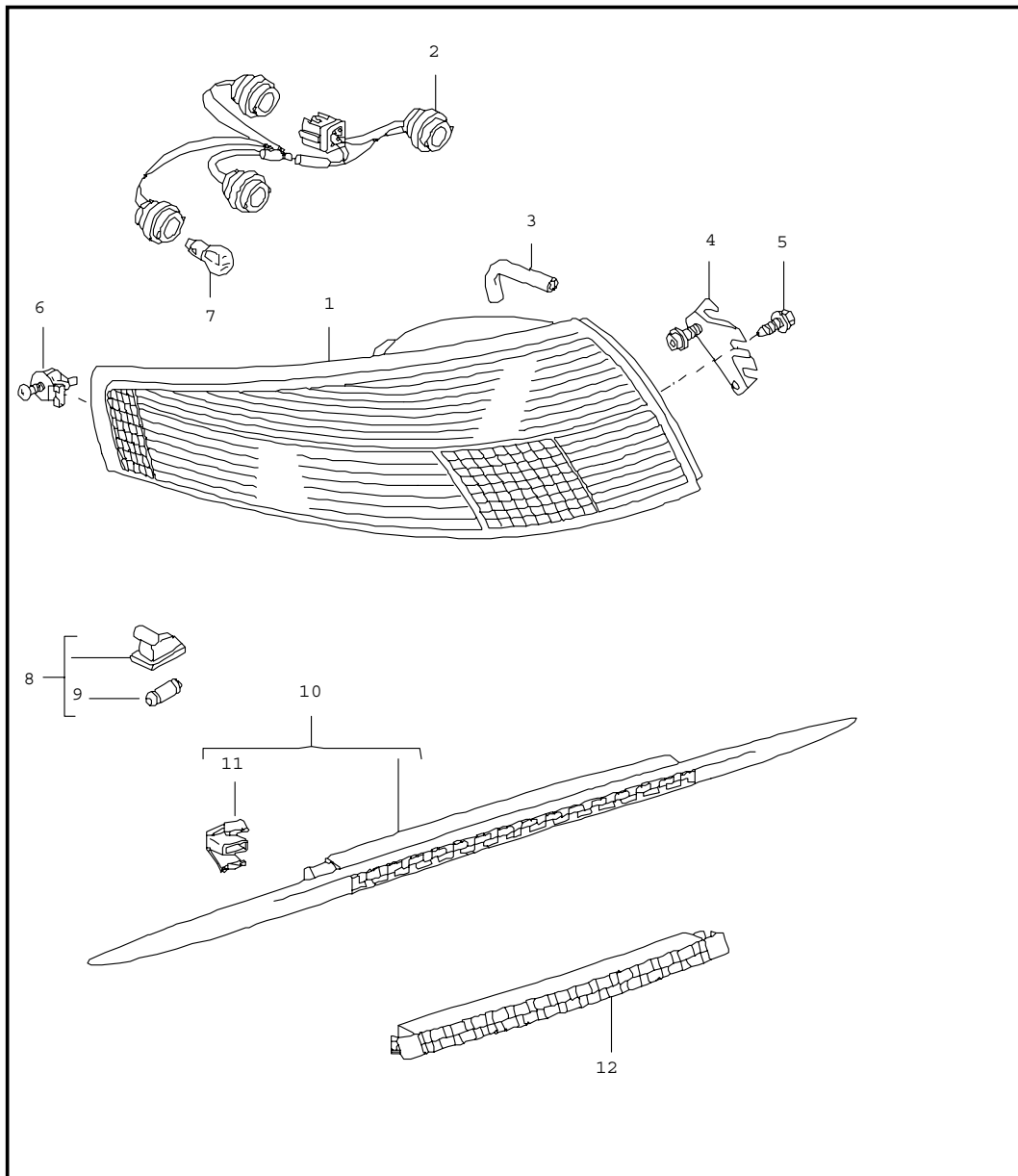


| Pos | Part Number | Name | Remarks | Qty | Model |
|-----|------------------|--|---------|-----|-------|
| | | headlamp additional headlamp side turn signal | | | I601 |
| | | headlamp without control unit and bulb XENON | | | |
| 1 | A 997 631 157 01 | headlamp F >>995S7 60873 | /L | 1 | |
| 1 | 997 631 157 02 | headlamp | /L | 1 | |
| (1) | A 997 631 158 01 | headlamp F >>995S7 60873 | /R | 1 | |
| (1) | 997 631 158 02 | headlamp | /R | 1 | |
| 1 | A 997 631 157 11 | headlamp F >>995S7 37045 | /L | 1 | I492 |
| 1 | 997 631 157 12 | headlamp | /L | 1 | I492 |
| (1) | A 997 631 158 11 | headlamp F >>995S7 37045 | /R | 1 | I492 |
| (1) | 997 631 158 12 | headlamp | /R | 1 | I492 |
| 2 | 999 631 036 90 | bulb - PHILIPS - | | 2 | |
| 3 | 999 631 144 91 | halogen bulb H 11 | | 2 | |
| 4 | 997 631 125 01 | electric motor headlight levelling system F >>995S7 60873 F >>995S7 37045 | /L | 1 | I492 |
| (4) | 997 631 126 01 | electric motor headlight levelling system F >>995S7 60873 F >>995S7 37045 | /R | 1 | I492 |
| 4 | 997 631 141 00 | electric motor headlight levelling system F 995S7 60874>> F 995S7 37046>> | | 2 | I492 |
| | | when required order also: | | | |
| - | 997 631 941 00 | cable adapter | | 2 | |
| 5 | 997 631 183 00 | control unit | | 2 | |

| | | | | | | | | | | | |
|-------|------|----|----|--------------|--------------|--------|------|------------|---------|-----|---------|
| Model | Year | MG | SG | Illustration | Restrictions | Update | 7:59 | 28.08.2006 | PORSCHE | PET | PORSCHE |
| 997 | 07 | 9 | 05 | 905-01 | | 203 | | | | | |

| Pos | Part Number | Name | Remarks | Qty | Model | Pos | Part Number | Name | Remarks | Qty | Model |
|------|------------------|--|---------|-----|-------|------|----------------|---|---------|-----|-------|
| 6 | 997 631 199 00 | screw | | 6 | | 22 | 999 631 033 90 | bulb 5 W position light | | 2 | |
| 7 | 997 631 101 00 | protective cap | /L | 1 | | | | | | | |
| (7) | 997 631 102 00 | protective cap | /R | 1 | | 23 | 997 631 137 00 | bulb holder position light | | 2 | |
| 8 | 997 631 191 00 | screw | | 8 | | | | | | | |
| 9 | 997 631 149 00 | ventilation component | /L | 1 | | 24 | 900 631 021 90 | bulb 21 W direction indicator light | | 2 | |
| (9) | 997 631 150 00 | ventilation component | /R | 1 | | | | | | | |
| 10 | 997 631 153 00 | screw | | 4 | | 25 | 997 631 139 00 | bulb holder direction indicator light | | 2 | |
| 11 | 997 631 249 00 | breather adapter | | 2 | | 26 | 997 631 145 00 | cap | | 2 | |
| 12 | A 997 631 073 00 | mounting F >>995S7 60873 F >>995S7 37045 | /L | 1 | I492 | 27 | 997 631 147 00 | breather adapter | | 2 | |
| 12 | 997 631 073 01 | mounting | /L | 1 | | 28 | 997 631 293 00 | cover | | 4 | |
| (12) | A 997 631 074 00 | mounting F >>995S7 60873 F >>995S7 37045 | /R | 1 | I492 | 30 | 997 631 231 00 | card for release additional headlamp | | 1 | |
| (12) | 997 631 074 01 | mounting | /R | 1 | | | | side turn signal | | | |
| 13 | A 997 631 273 00 | clamping bow F >>995S7 60873 F >>995S7 37045 | | 2 | I492 | 31 | 997 631 033 01 | side turn signal | /L | 1 | |
| 13 | 997 631 273 01 | clamping bow | | 2 | | (31) | 997 631 034 01 | side turn signal | /R | 1 | |
| 14 | 997 631 272 00 | bearing sleeve | | 2 | | 32 | 999 631 138 90 | bulb 5 W yellow | | 2 | |
| 15 | 900 116 004 09 | lock washer | | 2 | | | | | | | |
| 16 | 997 631 194 00 | fastening part | | 6 | | 33 | 997 631 133 00 | bulb holder | | 2 | |
| 17 | 997 631 245 00 | locking device connector housing | | 2 | | | | - - - E N D - - - | | | |
| 18 | 999 703 413 40 | plug | | 2 | | | | | | | |
| 19 | 993 631 170 03 | plug | | 6 | | | | | | | |
| | | additional headlamp | | | | | | | | | |
| 20 | 997 631 081 01 | additional headlamp | /L | 1 | | | | | | | |
| (20) | 997 631 082 01 | additional headlamp | /R | 1 | | | | | | | |
| 21 | 999 631 142 90 | halogen bulb H 8 | | 2 | | | | | | | |

| | | | | | | | | | | | |
|-------|------|----|----|--------------|--------------|--------|------|------------|---------|-----|---------|
| Model | Year | MG | SG | Illustration | Restrictions | Update | 7:59 | 28.08.2006 | PORSCHE | PET | PORSCHE |
| 997 | 07 | 9 | 05 | 905-05 | | 203 | | | | | |

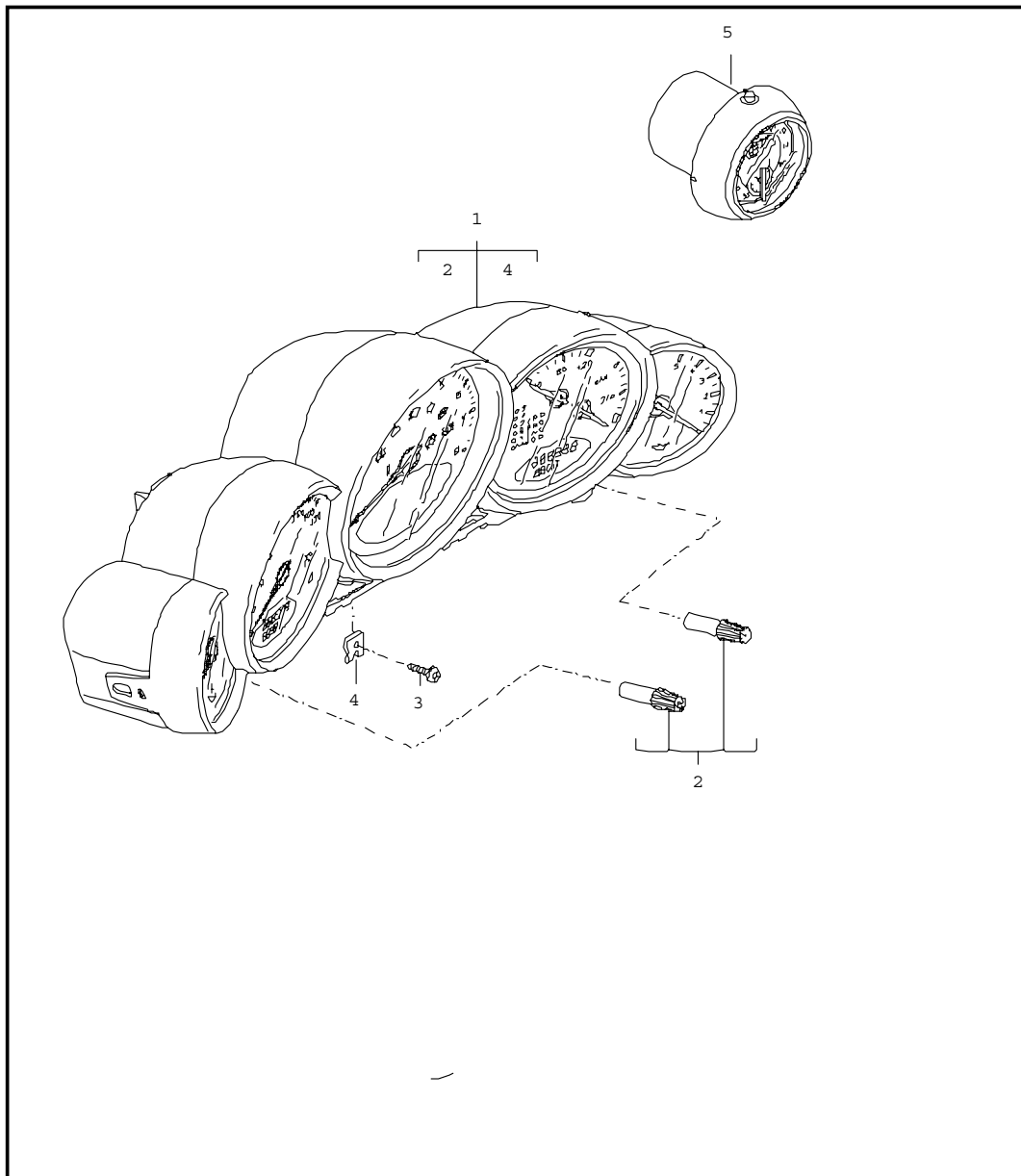


| Pos | Part Number | Name | Remarks | Qty | Model |
|------|------------------|--|---------|-----|--------|
| | | rear light license plate light additional stoplamp | | | |
| 1 | 997 631 485 01 | rear light housing | /L 05 | 1 | |
| 1 | 997 631 485 02 | rear light housing | /L 06 | 1 | |
| 1 | N 997 631 485 03 | rear light housing | /L 07 | 1 | |
| (1) | 997 631 486 01 | rear light housing | /R 05 | 1 | |
| (1) | 997 631 486 02 | rear light housing | /R 06 | 1 | |
| (1) | N 997 631 486 03 | rear light housing | /R 07 | 1 | |
| 2 | 997 631 436 00 | wiring harness | | 2 | |
| 3 | 997 631 451 00 | breather adapter | | 4 | |
| 4 | 997 631 463 01 | support | /L | 1 | |
| (4) | 997 631 464 01 | support | /R | 1 | |
| 5 | 900 146 075 09 | screw M 6 X 12 | | 2 | |
| 6 | 997 631 471 00 | mounting | | 2 | |
| 7 | 900 631 018 90 | bulb 21 W white | | X | |
| 7 | 900 631 021 90 | bulb 21 W yellow | | X | |
| (7) | 900 631 022 90 | bulb 21/5 W | | X | |
| 7 | 900 631 017 90 | bulb 21/4 W | | X | |
| 8 | 997 631 620 00 | license plate light | | 2 | |
| 9 | 900 631 025 90 | bulb 12V 5W | | 2 | |
| 10 | 997 631 050 02 | additional stoplamp | 05 | 1 | COUPE |
| 10 | 997 631 050 03 | additional stoplamp | 06- | 1 | COUPE |
| (10) | 997 631 054 02 | additional stoplamp | | 1 | CABRIO |
| 11 | 997 631 203 00 | clip | | 6 | COUPE |

| | | | | | | | | | | | |
|-------|------|----|----|--------------|--------------|--------|------|------------|---------|-----|---------|
| Model | Year | MG | SG | Illustration | Restrictions | Update | | | | | |
| 997 | 07 | 9 | 05 | 905-05 | | 203 | 7:59 | 28.08.2006 | PORSCHE | PET | PORSCHE |

| Pos | Part Number | Name | Remarks | Qty | Model | Pos | Part Number | Name | Remarks | Qty | Model |
|-----|------------------|---|---------|-----|-------|-----|-------------|------|---------|-----|-------|
| 12 | U 997 631 051 01 | additional stoplamp in spoiler see technical information GR. 9 , NR. 8/04 | | 1 | | | | | | | |
| 12 | U 997 631 051 02 | additional stoplamp in spoiler | | 1 | | | | | | | |
| 12 | 997 631 051 03 | additional stoplamp in spoiler | | 1 | | | | | | | |
| | | - - - E N D - - - | | | | | | | | | |

| | | | | | | | | | | | |
|-------|------|----|----|--------------|--------------|--------|------|------------|---------|-----|---------|
| Model | Year | MG | SG | Illustration | Restrictions | Update | 7:59 | 28.08.2006 | PORSCHE | PET | PORSCHE |
| 997 | 07 | 9 | 06 | 906-01 | | 203 | | | | | |



| Pos | Part Number | Name | Remarks | Qty | Model |
|-------|----------------|--------------------------------|---------|-----|--------------------|
| | | instruments stopwatch | | | |
| (1) A | 997 641 105 05 | instrument cluster complete | 05 | 1 | I022/480 |
| | D07 | volcano grey | | | |
| (1) A | 997 641 105 10 | instrument cluster complete | 05 | 1 | I022/480 |
| | D07 | volcano grey | | | |
| (1) | 997 641 105 12 | instrument cluster complete | 05 | 1 | I022/480 |
| | D07 | volcano grey | | | |
| (1) N | 997 641 105 20 | instrument cluster complete | 06 | 1 | I022/480 |
| | D07 | volcano grey | | | |
| (1) N | 997 641 105 21 | instrument cluster complete | 07 | 1 | I022/480 |
| | D07 | volcano grey | | | |
| 1 | 997 641 106 05 | instrument cluster complete | 05 | 1 | I022/249 |
| | D07 | volcano grey | | | |
| 1 | 997 641 106 12 | instrument cluster complete | 06 | 1 | I022/249 |
| | D07 | volcano grey | | | |
| 1 N | 997 641 106 21 | instrument cluster complete | 07 | 1 | I022/249 |
| | D07 | volcano grey | | | |
| (1) | 997 641 107 05 | instrument cluster complete | 05 | 1 | (GB) I022/ I480 |
| | D07 | volcano grey | | | |
| (1) | 997 641 107 12 | instrument cluster complete | 06 | 1 | (GB) I022/ I480 |
| | D07 | volcano grey | | | |
| (1) N | 997 641 107 21 | instrument cluster complete | 07 | 1 | (GB) I022/ I480 |

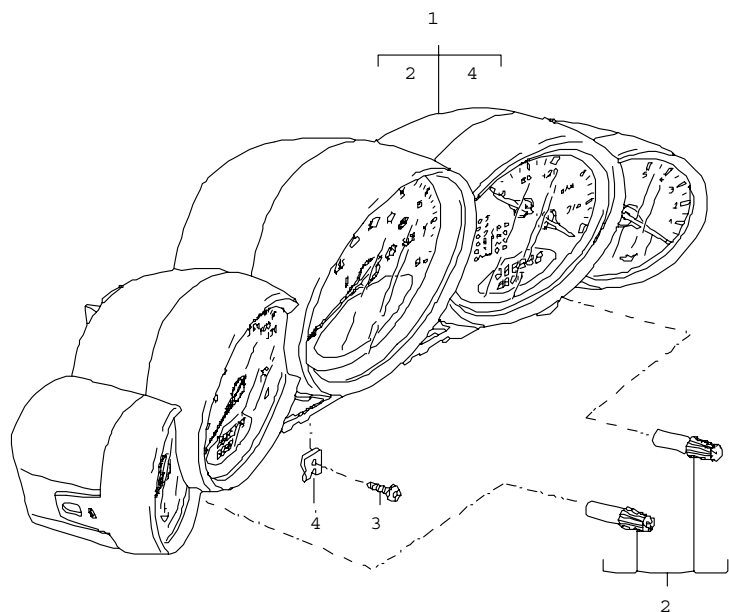
| | | | | | | | | | | | |
|-------|------|----|----|--------------|--------------|--------|------|------------|---------|-----|---------|
| Model | Year | MG | SG | Illustration | Restrictions | Update | 7:59 | 28.08.2006 | PORSCHE | PET | PORSCHE |
| 997 | 07 | 9 | 06 | 906-01 | | 203 | | | | | |

| Pos | Part Number | Name | Remarks | Qty | Model | Pos | Part Number | Name | Remarks | Qty | Model |
|-------|----------------|-----------------------------|---------|-----|----------------|-------|----------------|-----------------------------------|---------|-----|----------------|
| | D07 | volcano grey | | | | | D07 | volcano grey | | | |
| 1 | 997 641 108 05 | instrument cluster complete | 05 | 1 | (GB) I022/I249 | 1 N | 997 641 116 21 | instrument cluster complete | 07 | 1 | I023/249 |
| | D07 | volcano grey | | | | | D07 | volcano grey | | | |
| 1 | 997 641 108 12 | instrument cluster complete | 06 | 1 | (GB) I022/I249 | (1) | 997 641 117 05 | instrument cluster complete | 05 | 1 | (GB) I023/I480 |
| | D07 | volcano grey | | | | | D07 | volcano grey | | | |
| 1 N | 997 641 108 21 | instrument cluster complete | 07 | 1 | (GB) I022/I249 | (1) | 997 641 117 12 | instrument cluster complete | 06 | 1 | (GB) I023/I480 |
| | D07 | volcano grey | | | | | D07 | volcano grey | | | |
| (1) A | 997 641 115 05 | instrument cluster complete | 05 | 1 | I023/480 | (1) N | 997 641 117 21 | instrument cluster complete | 07 | 1 | (GB) I023/I480 |
| | D07 | volcano grey | | | | | D07 | volcano grey | | | |
| (1) | 997 641 115 12 | instrument cluster complete | 05 | 1 | I023/480 | 1 | 997 641 118 05 | instrument cluster complete | 05 | 1 | (GB) I023/I249 |
| | D07 | volcano grey | | | | | D07 | volcano grey | | | |
| (1) | 997 641 115 20 | instrument cluster complete | 06 | 1 | I023/480 | 1 | 997 641 118 12 | instrument cluster complete | 06 | 1 | (GB) I023/I249 |
| | D07 | volcano grey | | | | | D07 | volcano grey | | | |
| (1) N | 997 641 115 21 | instrument cluster complete | 07 | 1 | I023/480 | 1 N | 997 641 118 21 | instrument cluster complete | 07 | 1 | (GB) I023/I249 |
| | D07 | volcano grey | | | | | D07 | volcano grey | | | |
| 1 A | 997 641 116 05 | instrument cluster complete | 05 | 1 | I023/249 | | D07 | volcano grey | | | |
| | D07 | volcano grey | | | | | D07 | volcano grey | | | |
| 1 A | 997 641 116 10 | instrument cluster complete | 05 | 1 | I023/249 | (2) | 997 641 911 00 | knob actuator tripmeter and clock | | 1 | |
| | D07 | volcano grey | | | | | | | | | |
| 1 | 997 641 116 12 | instrument cluster complete | 05 | 1 | I023/249 | 3 | 999 073 339 09 | oval-head screw 4,2 X 19 | | 2 | |
| | D07 | volcano grey | | | | | | | | | |
| 1 N | 997 641 116 20 | instrument cluster complete | 06 | 1 | I023/249 | 4 | 999 507 403 02 | u-clamp stopwatch | | 2 | |
| | D07 | volcano grey | | | | | | | | | |
| | D07 | volcano grey | | | | 5 | 997 641 301 10 | stopwatch | 05 | 1 | I025/639/640 |

| | | | | | | | | | | | |
|-------|------|----|----|--------------|--------------|--------|------|------------|---------|-----|---------|
| Model | Year | MG | SG | Illustration | Restrictions | Update | | | | | |
| 997 | 07 | 9 | 06 | 906-01 | | 203 | 7:59 | 28.08.2006 | PORSCHE | PET | PORSCHE |

| Pos | Part Number | Name | Remarks | Qty | Model | Pos | Part Number | Name | Remarks | Qty | Model |
|-----|------------------|--|---------|-----|--------------|-----|-------------|------|---------|-----|-------|
| | | V05 galvano silver for cars up to F >>995S7 32280 use also: | | | | | | | | | |
| 5 | N 997 641 301 20 | stopwatch | 06- | 1 | I025/639/640 | | | | | | |
| | | V05 galvano silver for cars up to F >>995S7 32280 use also: | | | | | | | | | |
| - | 997 552 373 01 | support | | 1 | | | | | | | |
| (5) | 997 641 311 10 | stopwatch | 05 | 1 | I026/639/640 | | | | | | |
| | | V05 galvano silver for cars up to F >>995S7 32280 use also: | | | | | | | | | |
| (5) | N 997 641 311 20 | stopwatch | 06- | 1 | I026/639/640 | | | | | | |
| | | V05 galvano silver for cars up to F >>995S7 32280 use also: | | | | | | | | | |
| - | 997 552 373 01 | support | | 1 | | | | | | | |
| | | - - - E N D - - - | | | | | | | | | |

| | | | | | | | | | | | |
|-------|------|----|----|--------------|--------------|--------|------|------------|---------|-----|---------|
| Model | Year | MG | SG | Illustration | Restrictions | Update | 8:00 | 28.08.2006 | PORSCHE | PET | PORSCHE |
| 997 | 07 | 9 | 06 | 906-02 | | 203 | | | | | |



| Pos | Part Number | Name | Remarks | Qty | Model |
|-----|----------------|---|---------|-----|-------|
| | | instruments exclusive programme C A R R E R A | | | |
| (1) | 997 641 980 05 | instrument cluster complete dial lacquered | 05 | 1 | I480 |
| | 5Z1 | sand beige | | | IXFD |
| | 8X8 | terracotta | | | IXFE |
| | T13 | brown/natural | | | IXFF |
| | 84A | guards red | | | IXFG |
| | 12H | speed yellow | | | IXFH |
| | B9A | carrara white | | | IXFJ |
| (1) | 997 641 980 25 | instrument cluster complete dial lacquered | 06- | 1 | I480 |
| | 5Z1 | sand beige | | | IXFD |
| | 8X8 | terracotta | | | IXFE |
| | T13 | brown/natural | | | IXFF |
| | 84A | guards red | | | IXFG |
| | 12H | speed yellow | | | IXFH |
| | B9A | carrara white | | | IXFJ |
| 1 | 997 641 980 06 | instrument cluster complete dial lacquered | 05 | 1 | I249 |
| | 5Z1 | sand beige | | | IXFD |
| | 8X8 | terracotta | | | IXFE |
| | T13 | brown/natural | | | IXFF |
| | 84A | guards red | | | IXFG |
| | 12H | speed yellow | | | IXFH |
| | B9A | carrara white | | | IXFJ |

| | | | | | | | | | | | |
|-------|------|----|----|--------------|--------------|--------|------|------------|---------|-----|---------|
| Model | Year | MG | SG | Illustration | Restrictions | Update | 8:00 | 28.08.2006 | PORSCHE | PET | PORSCHE |
| 997 | 07 | 9 | 06 | 906-02 | | 203 | | | | | |

| Pos | Part Number | Name | Remarks | Qty | Model | Pos | Part Number | Name | Remarks | Qty | Model |
|-----|----------------|---|---------|-----|-----------|-----|----------------|---|---------|-----|-----------|
| 1 | 997 641 980 26 | instrument cluster complete dial lacquered | 06- | 1 | I249 | | 8X8 | terracotta | | | IXFE |
| | 5Z1 | sand beige | | | IXFD | | T13 | brown/natural | | | IXFF |
| | 8X8 | terracotta | | | IXFE | | 84A | guards red | | | IXFG |
| | T13 | brown/natural | | | IXFF | | 12H | speed yellow | | | IXFH |
| | 84A | guards red | | | IXFG | | B9A | carrara white | | | IXFJ |
| | 12H | speed yellow | | | IXFH | 1 | 997 641 980 28 | instrument cluster complete dial lacquered | 06- | 1 | (GB) I249 |
| | B9A | carrara white | | | IXFJ | | 5Z1 | sand beige | | | IXFD |
| (1) | 997 641 980 07 | instrument cluster complete dial lacquered | 05 | 1 | (GB) I480 | | 8X8 | terracotta | | | IXFE |
| | 5Z1 | sand beige | | | IXFD | | T13 | brown/natural | | | IXFF |
| | 8X8 | terracotta | | | IXFE | | 84A | guards red | | | IXFG |
| | T13 | brown/natural | | | IXFF | | 12H | speed yellow | | | IXFH |
| | 84A | guards red | | | IXFG | | B9A | carrara white | | | IXFJ |
| | 12H | speed yellow | | | IXFH | (1) | 997 641 980 15 | instrument cluster complete dial lacquered | 05 | 1 | I480 |
| | B9A | carrara white | | | IXFJ | | 5Z1 | sand beige | | | IXFD |
| (1) | 997 641 980 27 | instrument cluster complete dial lacquered | 06- | 1 | (GB) I480 | | 8X8 | terracotta | | | IXFE |
| | 5Z1 | sand beige | | | IXFD | | T13 | brown/natural | | | IXFF |
| | 8X8 | terracotta | | | IXFE | | 84A | guards red | | | IXFG |
| | T13 | brown/natural | | | IXFF | | 12H | speed yellow | | | IXFH |
| | 84A | guards red | | | IXFG | | B9A | carrara white | | | IXFJ |
| | 12H | speed yellow | | | IXFH | (1) | 997 641 980 35 | instrument cluster complete dial lacquered | 06- | 1 | I480 |
| | B9A | carrara white | | | IXFJ | | 5Z1 | sand beige | | | IXFD |
| 1 | 997 641 980 08 | instrument cluster complete dial lacquered | 05 | 1 | (GB) I249 | | 8X8 | terracotta | | | IXFE |
| | 5Z1 | sand beige | | | IXFD | | T13 | brown/natural | | | IXFF |
| | | | | | | | 84A | guards red | | | IXFG |

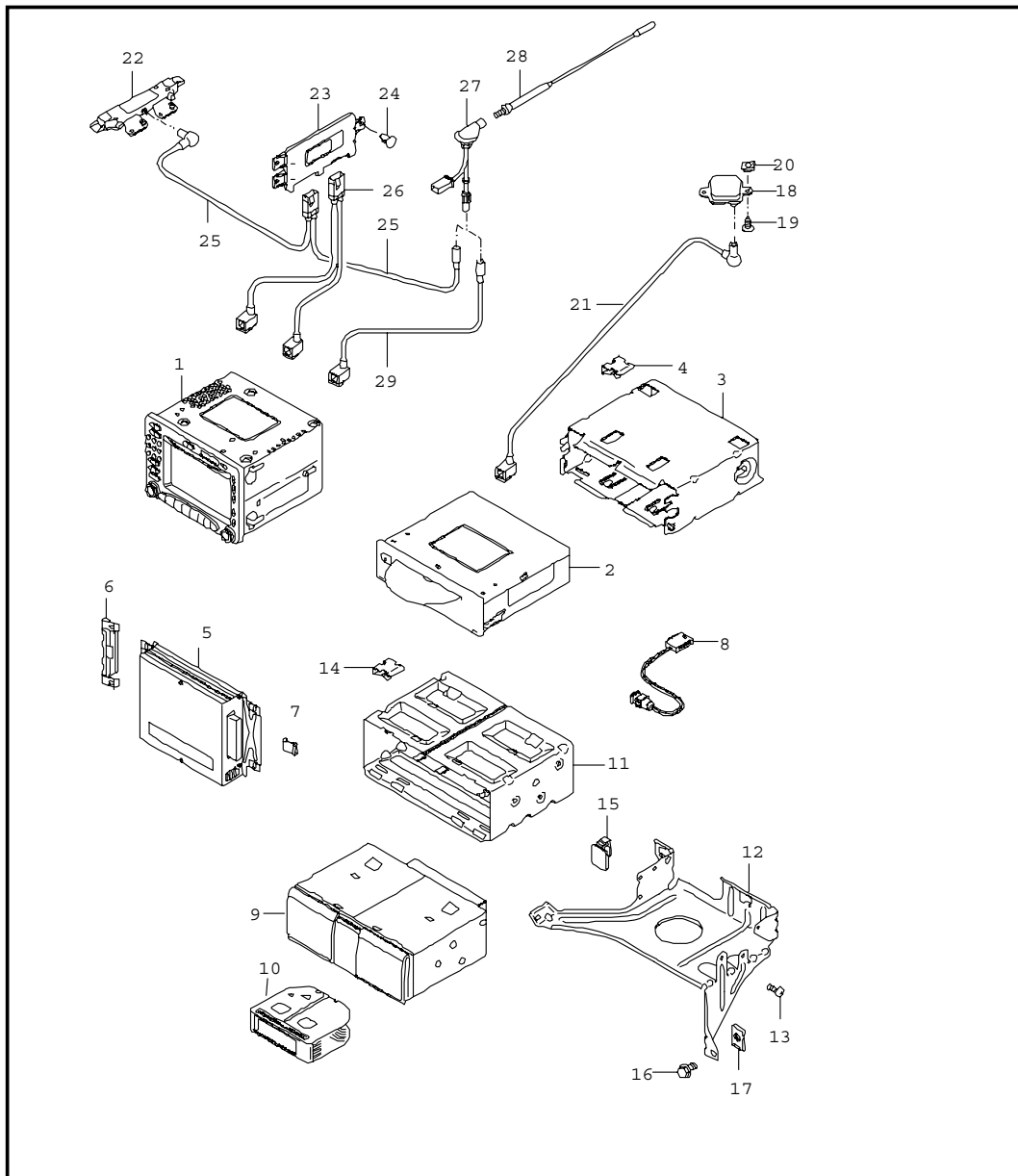
| | | | | | | | | | | | |
|-------|------|----|----|--------------|--------------|--------|------|------------|---------|-----|---------|
| Model | Year | MG | SG | Illustration | Restrictions | Update | 8:00 | 28.08.2006 | PORSCHE | PET | PORSCHE |
| 997 | 07 | 9 | 06 | 906-02 | | 203 | | | | | |

| Pos | Part Number | Name | Remarks | Qty | Model | Pos | Part Number | Name | Remarks | Qty | Model |
|-----|----------------|--|---------|-----|-----------|-----|----------------|--|---------|-----|-----------|
| | 12H | speed yellow | | | IXFH | (1) | 997 641 980 37 | instrument cluster complete dial lacquered | 06- | 1 | (GB) I480 |
| | B9A | carrara white | | | IXFJ | | | | | | |
| 1 | 997 641 980 16 | instrument cluster complete dial lacquered | 05 | 1 | I249 | | 5Z1 | sand beige | | | IXFD |
| | 5Z1 | sand beige | | | IXFD | | 8X8 | terracotta | | | IXFE |
| | 8X8 | terracotta | | | IXFE | | T13 | brown/natural | | | IXFF |
| | T13 | brown/natural | | | IXFF | | 84A | guards red | | | IXFG |
| | 84A | guards red | | | IXFG | | 12H | speed yellow | | | IXFH |
| | 12H | speed yellow | | | IXFH | | B9A | carrara white | | | IXFJ |
| | B9A | carrara white | | | IXFJ | 1 | 997 641 980 18 | instrument cluster complete dial lacquered | 05 | 1 | (GB) I249 |
| 1 | 997 641 980 36 | instrument cluster complete dial lacquered | 06- | 1 | I249 | | 5Z1 | sand beige | | | IXFD |
| | 5Z1 | sand beige | | | IXFD | | 8X8 | terracotta | | | IXFE |
| | 8X8 | terracotta | | | IXFE | | T13 | brown/natural | | | IXFF |
| | T13 | brown/natural | | | IXFF | | 84A | guards red | | | IXFG |
| | 84A | guards red | | | IXFG | | 12H | speed yellow | | | IXFH |
| | 12H | speed yellow | | | IXFH | | B9A | carrara white | | | IXFJ |
| | B9A | carrara white | | | IXFJ | 1 | 997 641 980 38 | instrument cluster complete dial lacquered | 06- | 1 | (GB) I249 |
| (1) | 997 641 980 17 | instrument cluster complete dial lacquered | 05 | 1 | (GB) I480 | | 5Z1 | sand beige | | | IXFD |
| | 5Z1 | sand beige | | | IXFD | | 8X8 | terracotta | | | IXFE |
| | 8X8 | terracotta | | | IXFE | | T13 | brown/natural | | | IXFF |
| | T13 | brown/natural | | | IXFF | | 84A | guards red | | | IXFG |
| | 84A | guards red | | | IXFG | | 12H | speed yellow | | | IXFH |
| | 12H | speed yellow | | | IXFH | | B9A | carrara white | | | IXFJ |
| | B9A | carrara white | | | IXFJ | (2) | 997 641 911 00 | knob actuator tripmeter and clock | | 1 | |

| | | | | | | | | | | | |
|-------|------|----|----|--------------|--------------|--------|------|------------|---------|-----|---------|
| Model | Year | MG | SG | Illustration | Restrictions | Update | 8:00 | 28.08.2006 | PORSCHE | PET | PORSCHE |
| 997 | 07 | 9 | 06 | 906-02 | | 203 | | | | | |

| Pos | Part Number | Name | Remarks | Qty | Model | Pos | Part Number | Name | Remarks | Qty | Model |
|-----|----------------|-----------------------------|---------|-----|-------|-----|-------------|------|---------|-----|-------|
| 3 | 999 073 339 09 | oval-head screw 4,2 X 19 | | 2 | | | | | | | |
| 4 | 999 507 403 02 | u-clamp | | 2 | | | | | | | |
| | | - - - E N D - - - | | | | | | | | | |

| | | | | | | | | | | | |
|-------|------|----|----|--------------|--------------|--------|------|------------|---------|-----|---------|
| Model | Year | MG | SG | Illustration | Restrictions | Update | 8:00 | 28.08.2006 | PORSCHE | PET | PORSCHE |
| 997 | 07 | 9 | 11 | 911-00 | | 203 | | | | | |



| Pos | Part Number | Name | Remarks | Qty | Model |
|-----|------------------|--|---------|-----|----------|
| | | radio control part navigation system booster C A R R E R A / S | | | |
| 1 | A 997 642 101 05 | control part FMH volcano grey/black mat F >>995S7 01791 F >>995S7 32290 see technical information GR. 9 , NR. 7/04 | | 1 | I665 |
| 1 | A 997 642 101 06 | control part FMH volcano grey/black mat F >>995S7 01791 F >>995S7 32290 see technical information GR. 9 , NR. 7/04 | | 1 | I665 |
| (1) | A 997 642 103 05 | control part FMH volcano grey/black mat F >>995S7 01788 F >>995S7 32293 see technical information GR. 9 , NR. 7/04 | | 1 | I665/680 |
| (1) | > 997 642 103 06 | control part FMH volcano grey/black mat F >>995S7 01788 F >>995S7 32293 see technical information GR. 9 , NR. 7/04 | | 1 | I665/680 |
| 1 | > 997 642 101 11 | control part FMH volcano grey/black mat F >>995S7 50848 F >>995S7 37431 F 995S7 16151>>995S7 17613 F 995S7 41125>>995S7 61191 | | 1 | I665 |
| 1 | > 997 642 103 11 | control part FMH volcano grey/black mat F 995S7 01789>>995S7 50848 F 995S7 32294>>995S7 37431 F 995S7 16131>>995S7 17613 F 995S7 41124>>995S7 61191 | | 1 | I665/680 |

| | | | | | | | | | | | |
|-------|------|----|----|--------------|--------------|--------|------|------------|---------|-----|---------|
| Model | Year | MG | SG | Illustration | Restrictions | Update | 8:00 | 28.08.2006 | PORSCHE | PET | PORSCHE |
| 997 | 07 | 9 | 11 | 911-00 | | 203 | | | | | |

| Pos | Part Number | Name | Remarks | Qty | Model | Pos | Part Number | Name | Remarks | Qty | Model |
|-----|------------------|---|---------|-----|----------|-----|------------------|--|---------|-----|----------|
| 1 | > 997 642 141 02 | control part | | 1 | I665 | | A05 | black mat for control part see technical information GR. 9 , NR. 6/04 | | | |
| | FMH | volcano grey/black mat F 995S7 50849>>996S7 51980 F 995S7 37432>>996S7 38110 F 995S7 17614>>996S7 17268 F 995S7 61192>>996S7 75014 F >>996S7 03170 F >>996S7 57896 F >>996S7 43973 see technical information GR. 9 , NR. 28/05 | | | | | | | | | |
| 1 | > 997 642 143 02 | control part | | 1 | I665/680 | | | tapping screw ST4,2 X 19 for mount radio and control part centre console | | 1 | |
| | FMH | volcano grey/black mat F 995S7 50849>>996S7 51980 F 995S7 37432>>996S7 38110 F 995S7 17614>>996S7 17268 F 995S7 61192>>996S7 75014 F >>996S7 03170 F >>996S7 57896 F >>996S7 43937 see technical information GR. 9 , NR. 28/05 | | | | 2 | A 997 642 135 03 | dvd device navigation system F >>995S7 01788 F >>995S7 32291 | | 1 | I670 |
| | | | | | | 2 | > 997 642 135 04 | dvd device navigation system F >>995S7 50848 F >>995S7 37431 F >>995S7 17613 F >>995S7 61191 | | 1 | I670 |
| 1 | N 997 642 141 10 | control part | | 1 | I665 | 2 | > 997 642 137 02 | dvd device navigation system F 995S7 50849>>996S7 51980 F 995S7 37432>>996S7 38110 F 995S7 17614>>996S7 17268 F 995S7 61192>>996S7 75014 F >>996S7 03170 F >>996S7 57896 F >>996S7 43973 | | 1 | I670/672 |
| | FMH | volcano grey/black mat F 996S7 51981>> F 996S7 38111>> F 996S7 17269>> F 996S7 75015>> F 996S7 03171>> F 996S7 57897>> F 996S7 43974>> | | | | 2 | N 997 642 157 00 | dvd device navigation system F 996S7 51981>> F 996S7 38111>> F 996S7 17269>> F 996S7 75015>> F 996S7 03171>> F 996S7 57897>> F 996S7 43974>> | | 1 | I670/672 |
| 1 | N 997 642 143 10 | control part | | 1 | I665/680 | | | | | | |
| | FMH | volcano grey/black mat F 996S7 51981>> F 996S7 38111>> F 996S7 17269>> F 996S7 75015>> F 996S7 03171>> F 996S7 57897>> F 996S7 43974>> | | | | | | | | | |
| - | 997 642 201 00 | rotary knob | /L | 1 | | | A 997 642 235 02 | dvd navigation system F >>995S7 01788 F >>995S7 32291 | | 1 | I610 |
| | A05 | black mat for control part see technical information GR. 9 , NR. 6/04 | | | | | A 997 642 239 02 | dvd navigation system F >>995S7 01788 F >>995S7 32291 | | 1 | I611 |
| - | 997 642 202 00 | rotary knob | /R | 1 | | | | | | | |

| | | | | | | | | | | | |
|-------|------|----|----|--------------|--------------|--------|------|------------|---------|-----|---------|
| Model | Year | MG | SG | Illustration | Restrictions | Update | 8:00 | 28.08.2006 | PORSCHE | PET | PORSCHE |
| 997 | 07 | 9 | 11 | 911-00 | | 203 | | | | | |

| Pos | Part Number | Name | Remarks | Qty | Model | Pos | Part Number | Name | Remarks | Qty | Model |
|-----|----------------|---|---------|-----|-------|-----|----------------|---|---------|-----|-------|
| - A | 997 642 241 02 | dvd navigation system F >>995S7 01788 F >>995S7 32291 | | 1 | I612 | - | 997 642 259 02 | dvd navigation system F 995S7 50849>>996S7 51980 F 995S7 37432>>996S7 38110 F 995S7 61192>>996S7 17268 F 995S7 17614>>996S7 75014 F >>996S7 03170 F >>996S7 57896 F >>996S7 43973 | | 1 | I611 |
| - | 997 642 243 02 | dvd navigation system F >>995S7 01788 F >>995S7 32291 | | 1 | I613 | - | 997 642 261 02 | dvd navigation system F 995S7 50849>>996S7 51980 F 995S7 37432>>996S7 38110 F 995S7 61192>>996S7 17268 F 995S7 17614>>996S7 75014 F >>996S7 03170 F >>996S7 57896 F >>996S7 43973 | | 1 | I612 |
| - | 997 642 245 02 | dvd navigation system F >>995S7 01788 F >>995S7 32291 | | 1 | I614 | - | 997 642 263 02 | dvd navigation system F 995S7 50849>>996S7 51980 F 995S7 37432>>996S7 38110 F 995S7 61192>>996S7 17268 F 995S7 17614>>996S7 75014 F >>996S7 03170 F >>996S7 57896 F >>996S7 43973 | | 1 | I613 |
| - | 997 642 235 03 | dvd navigation system F 995S7 01789>>995S7 50848 F 995S7 32292>>995S7 37431 F >>995S7 61191 | | 1 | I610 | - | 997 642 265 02 | dvd navigation system F 995S7 50849>>996S7 51980 F 995S7 37432>>996S7 38110 F 995S7 61192>>996S7 17268 F 995S7 17614>>996S7 75014 F >>996S7 03170 F >>996S7 57896 F >>996S7 43973 | | 1 | I614 |
| - | 997 642 239 03 | dvd navigation system F 995S7 01789>>995S7 50848 F 995S7 32292>>995S7 37431 F >>995S7 61191 | | 1 | I611 | - N | 997 642 255 04 | dvd navigation system F 996S7 51981>> F 996S7 38111>> F 996S7 17614>> F 996S7 75015>> F 996S7 03171>> F 996S7 57897>> F 996S7 43974>> | | 1 | I610 |
| - | 997 642 241 03 | dvd navigation system F 995S7 01789>>995S7 50848 F 995S7 32292>>995S7 37431 F >>995S7 61191 | | 1 | I612 | | | | | | |
| - | 997 642 243 03 | dvd navigation system F 995S7 01789>>995S7 50848 F 995S7 32292>>995S7 37431 F >>995S7 61191 | | 1 | I613 | | | | | | |
| - | 997 642 245 03 | dvd navigation system F 995S7 01789>>995S7 50848 F 995S7 32292>>995S7 37431 F >>995S7 61191 | | 1 | I614 | | | | | | |
| - | 997 642 255 03 | dvd navigation system F 995S7 50849>>996S7 51980 F 995S7 37432>>996S7 38110 F 995S7 61192>>996S7 17268 F 995S7 17614>>996S7 75014 F >>996S7 03170 F >>996S7 57896 F >>996S7 43973 | | 1 | I610 | | | | | | |

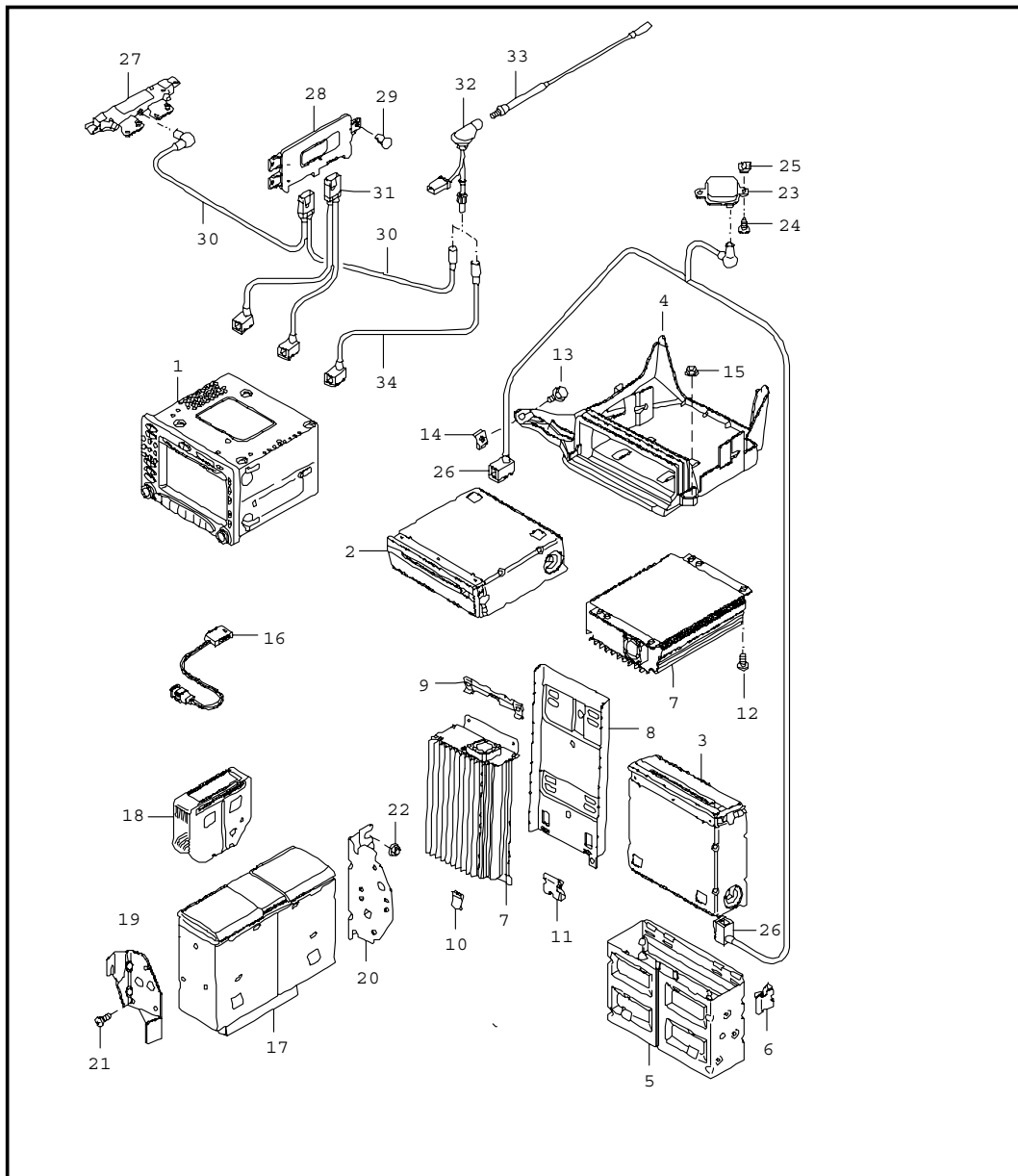
| | | | | | | | | | | | |
|-------|------|----|----|--------------|--------------|--------|------|------------|---------|-----|---------|
| Model | Year | MG | SG | Illustration | Restrictions | Update | 8:00 | 28.08.2006 | PORSCHE | PET | PORSCHE |
| 997 | 07 | 9 | 11 | 911-00 | | 203 | | | | | |

| Pos | Part Number | Name | Remarks | Qty | Model | Pos | Part Number | Name | Remarks | Qty | Model |
|-----|------------------|---|---------|-----|----------|-------|----------------|---|---------|-----|------------------------------------|
| - | N 997 642 259 03 | dvd navigation system F 996S7 51981>> F 996S7 38111>> F 996S7 17614>> F 996S7 75015>> F 996S7 03171>> F 996S7 57897>> F 996S7 43974>> | | 1 | I611 | 5 | 997 645 331 01 | booster | | 1 | COUPE I490 |
| | | | | | | 5 | 997 645 332 00 | booster | | 1 | CABRIO I490 |
| | | | | | | (5) U | 997 645 333 04 | booster see technical information GR. 9 , NR. 4/04 | | 1 | COUPE I680 |
| | | | | | | (5) | 997 645 333 06 | booster F >>995S7 01788 F >>995S7 32293 see technical information GR. 9 , NR. 7/04 GR. 9 , NR. 13/04 | | 1 | COUPE I680 CARRERA CARRERA S |
| - | N 997 642 261 03 | dvd navigation system F 996S7 51981>> F 996S7 38111>> F 996S7 17614>> F 996S7 75015>> F 996S7 03171>> F 996S7 57897>> F 996S7 43974>> | | 1 | I612 | (5) | 997 645 334 22 | booster note coding F 995S7 01789>> F 995S7 32294>> | 05 | 1 | I680 CARRERA CARRERA S |
| - | N 997 642 263 03 | dvd navigation system F 996S7 51981>> F 996S7 38111>> F 996S7 17614>> F 996S7 75015>> F 996S7 03171>> F 996S7 57897>> F 996S7 43974>> | | 1 | I613 | (5) | 997 645 334 32 | booster note coding | 06 | 1 | I680 |
| | | | | | | (5) P | 997 645 334 33 | booster note coding | 07 | 1 | I680 |
| | | | | | | 6 | 997 645 340 00 | clamp | | 1 | I490/I680 |
| | | | | | | 7 | 999 507 532 02 | u-clamp | | 2 | I490/I680 |
| - | N 997 642 265 04 | dvd navigation system F 996S7 51981>> F 996S7 38111>> F 996S7 17614>> F 996S7 75015>> F 996S7 03171>> F 996S7 57897>> F 996S7 43974>> | | 1 | I614 | 8 | 997 646 307 02 | microphone | | 1 | I680 |
| | | | | | | (8) | 997 646 307 01 | microphone | | 1 | I618/666/680 |
| | | | | | | - | 997 610 233 00 | cable guide microphone | | 1 | |
| | | | | | | 9 > | 997 645 140 02 | cd changer | 05 | 1 | I692 |
| - | N 997 642 267 03 | dvd navigation system F 996S7 51981>> F 996S7 38111>> F 996S7 17614>> F 996S7 75015>> F 996S7 03171>> F 996S7 57897>> F 996S7 43974>> | | 1 | I616 | 9 > | 997 645 140 03 | cd changer CDC 4 adjustment installation attention | 06- | 1 | I692 |
| | | | | | | 10 | 996 645 113 00 | rack cd changer | | 1 | I692 |
| | | | | | | 11 | 997 645 222 00 | support | | 1 | I692 |
| - | 997 642 148 02 | cd-rom logbook | 06- | 1 | I641 | 12 | 997 645 221 00 | support | | 1 | I664/692 |
| 3 | 997 642 231 00 | support dvd device | | 1 | I670/672 | 13 | N 014 128 13 | oval-head screw M 5 X 8 | | 6 | I692 |
| 4 | 997 645 342 01 | u-clamp | | 4 | | 14 | 997 645 342 01 | u-clamp | | 4 | I692 |
| | | | | | | 15 | 999 703 501 40 | fastening part | | 2 | I664/692 |

| | | | | | | | | | | | |
|-------|------|----|----|--------------|--------------|--------|------|------------|---------|-----|---------|
| Model | Year | MG | SG | Illustration | Restrictions | Update | 8:00 | 28.08.2006 | PORSCHE | PET | PORSCHE |
| 997 | 07 | 9 | 11 | 911-00 | | 203 | | | | | |

| Pos | Part Number | Name | Remarks | Qty | Model | Pos | Part Number | Name | Remarks | Qty | Model |
|------|----------------|---|---------|-----|--------------------------|------|----------------|--|---------|-----|--------------------------|
| 16 | 900 378 179 09 | hexagon-head bolt M 6 X 16 | | 2 | I664/692 | (25) | 997 612 062 50 | connecting line antenna booster control unit | | 1 | I461/I694 |
| 17 | 999 507 766 02 | speed nut M 6 | | 2 | I664/692 | (25) | 997 612 052 00 | connecting line antenna booster radio | | 1 | I694 |
| 18 | 997 642 105 00 | antenna GPS | | 1 | I670/672 | (26) | 997 612 058 00 | connecting line control unit control part or radio | | 1 | I665/I694 |
| 19 | 999 073 210 00 | tapping screw 4,8 X 13 | | 1 | I670/672 | | | | | | I665 |
| 20 | 999 507 441 02 | speed nut 4,8 | | 1 | I670/672 | | | | | | I694 |
| 21 | 997 612 060 25 | connecting line antenna dvd device navigation system | | 1 | I670/672 | 27 | 997 647 231 00 | antenna base | | 1 | COUPE I461 |
| 22 | 997 647 117 00 | antenna booster | /L | 1 | I440 | (27) | 997 647 221 00 | antenna base | | 1 | CABRIO I461 |
| (22) | 997 647 118 00 | antenna booster | /R | 1 | I440 | (28) | 997 647 233 00 | antenna rod | | 1 | COUPE I461 |
| 23 | 997 647 124 00 | control unit | | 1 | I440 | (28) | 997 647 223 00 | antenna rod | | 1 | CABRIO I461 |
| 24 | 999 591 904 40 | fastening part | | 2 | I440 | (29) | 997 612 070 00 | connecting line antenna base radio | | 1 | COUPE I461/ I694 |
| 25 | 997 612 069 00 | connecting line antenna booster control unit | /LL | 1 | COUPE I098/ I461/665 | (29) | 997 612 068 00 | connecting line antenna base radio | /LL | 1 | CABRIO I098/ I461/694 |
| 25 | 997 612 069 50 | connecting line antenna booster control unit | /RL | 1 | COUPE I099/ I461/665 | (29) | 997 612 068 50 | connecting line antenna base radio | /RL | 1 | CABRIO I099/ I461/694 |
| 25 | 997 612 066 00 | connecting line antenna booster control unit | /LL | 1 | CABRIO I098/ I461/665 | | | - - - E N D - - - | | | |
| 25 | 997 612 066 50 | connecting line antenna booster control unit | /RL | 1 | CABRIO I099/ I461/665 | | | | | | |
| (25) | 997 612 055 00 | connecting line antenna booster control unit | /LL | 1 | I098/665 | | | | | | |
| (25) | 997 612 056 00 | connecting line antenna booster control unit | /RL | 1 | I099/665 | | | | | | |

| | | | | | | | | | | | |
|-------|------|----|----|--------------|--------------|--------|------|------------|---------|-----|---------|
| Model | Year | MG | SG | Illustration | Restrictions | Update | 8:00 | 28.08.2006 | PORSCHE | PET | PORSCHE |
| 997 | 07 | 9 | 11 | 911-01 | | 203 | | | | | |



| Pos | Part Number | Name | Remarks | Qty | Model |
|-----|------------------|--|---------|-----|----------|
| | | radio control part navigation system booster C A R R E R A 4 / 4 S | | | |
| 1 | > 997 642 141 02 | control part FMH volcano grey/black mat F >>996S7 03171 F >>996S7 38109 F >>996S7 51981 F >>996S7 75016 see technical information GR. 9 , NR. 28/05 | | 1 | I665 |
| 1 | > 997 642 143 02 | control part FMH volcano grey/black mat F >>996S7 03171 F >>996S7 38109 F >>996S7 51981 F >>996S7 75016 see technical information GR. 9 , NR. 28/05 | | 1 | I665/680 |
| 1 | N 997 642 141 10 | control part FMH volcano grey/black mat F 996S7 03172>> F 996S7 38110>> F 996S7 51982>> F 996S7 75017>> | | 1 | I665 |
| 1 | N 997 642 143 10 | control part FMH volcano grey/black mat F 996S7 03172>> F 996S7 38110>> F 996S7 51982>> F 996S7 75017>> | | 1 | I665/680 |
| - | 997 642 201 00 | rotary knob A05 black mat for control part see technical information GR. 9 , NR. 6/04 | /L | 1 | |
| - | 997 642 202 00 | rotary knob | /R | 1 | |

| | | | | | | | | | | | |
|-------|------|----|----|--------------|--------------|--------|------|------------|---------|-----|---------|
| Model | Year | MG | SG | Illustration | Restrictions | Update | 8:00 | 28.08.2006 | PORSCHE | PET | PORSCHE |
| 997 | 07 | 9 | 11 | 911-01 | | 203 | | | | | |

| Pos | Part Number | Name | Remarks | Qty | Model | Pos | Part Number | Name | Remarks | Qty | Model |
|-----|------------------|---|---------|-----|--------------|-----|------------------|--|---------|-----|-------|
| | A05 | black mat for control part see technical information GR. 9 , NR. 6/04 | | | | - | 997 642 255 03 | dvd navigation system F >>996S7 03171 F >>996S7 38109 F >>996S7 51981 F >>996S7 75016 | | 1 | I610 |
| - | 900 187 038 02 | tapping screw ST4,2 X 19 for mount radio and control part centre console | | 1 | | - | 997 642 259 02 | dvd navigation system F >>996S7 03171 F >>996S7 38109 F >>996S7 51981 F >>996S7 75016 | | 1 | I611 |
| 2 | > 997 642 137 02 | dvd device navigation system F >>996S7 03171 F >>996S7 38109 F >>996S7 51981 F >>996S7 75016 | /LL | 1 | I098/670/672 | - | 997 642 261 02 | dvd navigation system F >>996S7 03171 F >>996S7 38109 F >>996S7 51981 F >>996S7 75016 | | 1 | I612 |
| 2 | N 997 642 157 00 | dvd device navigation system F 996S7 03172>> F 996S7 38110>> F 996S7 51982>> F 996S7 75017>> | /LL | 1 | I098/670/672 | - | 997 642 263 02 | dvd navigation system F >>996S7 03171 F >>996S7 38109 F >>996S7 51981 F >>996S7 75016 | | 1 | I613 |
| 3 | > 997 642 139 02 | dvd device navigation system F >>996S7 03171 F >>996S7 38109 F >>996S7 51981 F >>996S7 75016 | /RL | 1 | I099/670/672 | - | 997 642 265 02 | dvd navigation system F >>996S7 03171 F >>996S7 38109 F >>996S7 51981 F >>996S7 75016 | | 1 | I614 |
| 3 | > 997 642 139 02 | dvd device navigation system F >>996S7 03171 F >>996S7 38109 F >>996S7 51981 F >>996S7 75016 | | 1 | I664/670/672 | - | N 997 642 255 04 | dvd navigation system F 996S7 03172>> F 996S7 38110>> F 996S7 51982>> F 996S7 75017>> | | 1 | I610 |
| 3 | N 997 642 159 00 | dvd device navigation system F 996S7 03172>> F 996S7 38110>> F 996S7 51982>> F 996S7 75017>> | /RL | 1 | I099/670/672 | - | N 997 642 259 03 | dvd navigation system F 996S7 03172>> F 996S7 38110>> F 996S7 51982>> F 996S7 75017>> | | 1 | I611 |
| 3 | N 997 642 159 00 | dvd device navigation system F 996S7 03172>> F 996S7 38110>> F 996S7 51982>> F 996S7 75017>> | | 1 | I664/670/672 | - | N 997 642 261 03 | dvd navigation system F 996S7 03172>> F 996S7 38110>> F 996S7 51982>> F 996S7 75017>> | | 1 | I612 |

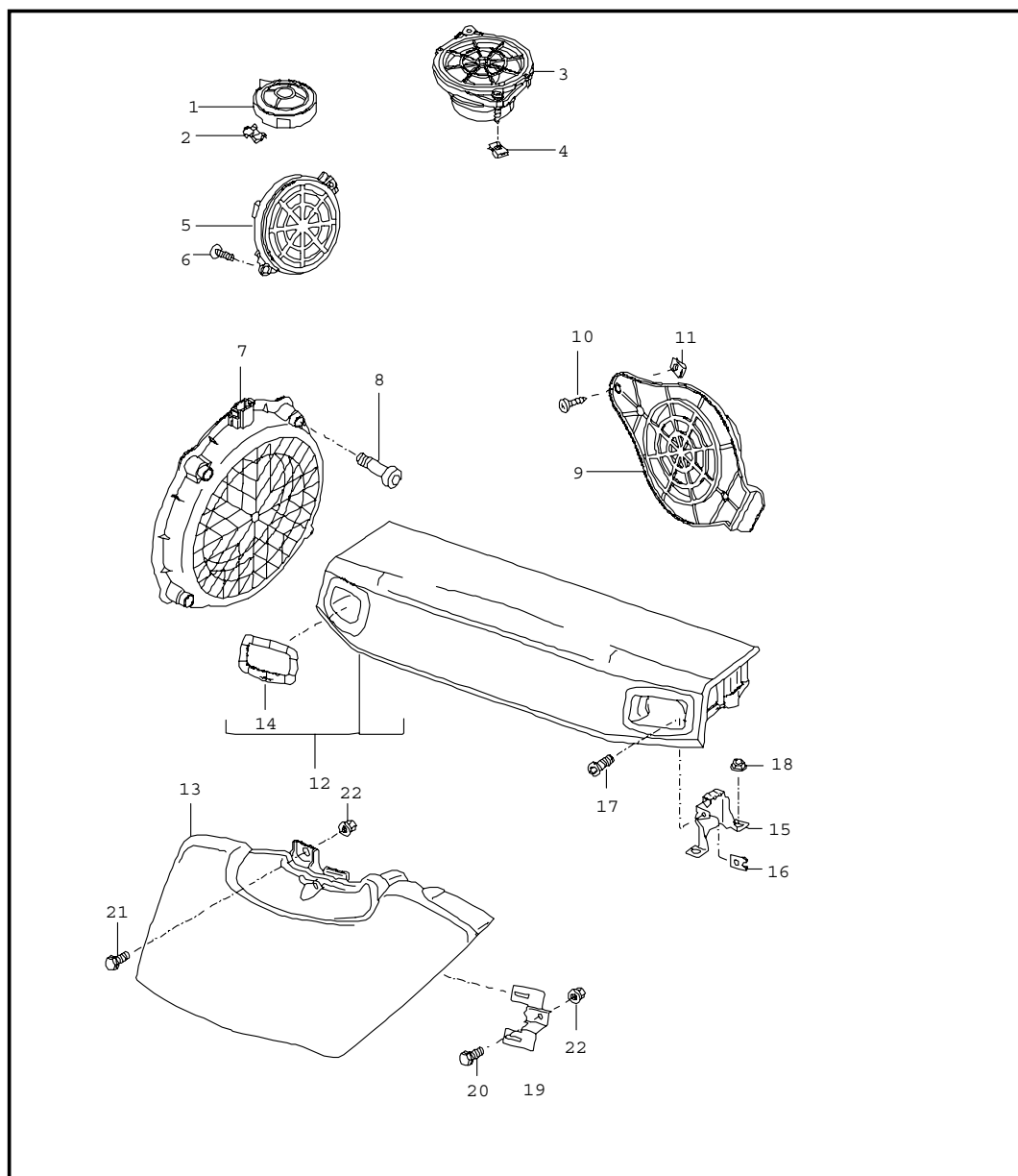
| | | | | | | | | | | | |
|-------|------|----|----|--------------|--------------|--------|------|------------|---------|-----|---------|
| Model | Year | MG | SG | Illustration | Restrictions | Update | 8:00 | 28.08.2006 | PORSCHE | PET | PORSCHE |
| 997 | 07 | 9 | 11 | 911-01 | | 203 | | | | | |

| Pos | Part Number | Name | Remarks | Qty | Model | Pos | Part Number | Name | Remarks | Qty | Model |
|-----|------------------|---|---------|-----|-------------------------|------|------------------|--|---------|-----|---------------------|
| - | N 997 642 263 03 | dvd navigation system F 996S7 03172>> F 996S7 38110>> F 996S7 51982>> F 996S7 75017>> | | 1 | I613 | 12 | 999 919 164 09 | oval-head screw 5,0 X 12,0 | /LL | X | I098/490/680 |
| - | N 997 642 265 04 | dvd navigation system F 996S7 03172>> F 996S7 38110>> F 996S7 51982>> F 996S7 75017>> | | 1 | I614 | 13 | 900 378 179 09 | hexagon-head bolt M 6 X 16 | /LL | 1 | I098/490/670 680 |
| - | N 997 642 267 03 | dvd navigation system F 996S7 03172>> F 996S7 38110>> F 996S7 51982>> F 996S7 75017>> | | 1 | I616 | 14 | 999 507 766 02 | speed nut M 6 | /LL | 1 | I098/490/670 680 |
| - | 997 642 148 02 | cd-rom logbook | | 1 | I641 | 15 | 900 377 018 09 | hexagon nut M 6 | /LL | 1 | I098/490/670 680 |
| 4 | 997 645 351 00 | support dvd device and booster | /LL | 1 | I098/490/670 672/680 | 16 | 997 646 307 02 | microphone | | 1 | I680 |
| 5 | 997 642 231 00 | support dvd device | | 1 | I664/670/672 | (16) | 997 646 307 01 | microphone | | 1 | I618/666/680 |
| (5) | 997 642 335 00 | support dvd device | /RL | 1 | I099/670/672 | - | 997 610 233 00 | cable guide microphone | | 1 | |
| 6 | 997 645 342 01 | u-clamp | | 4 | I664/670/672 | 17 | > 997 645 140 03 | cd changer CDC 4 adjustment installation attention | | 1 | I692 |
| (7) | 997 645 331 01 | booster | | 1 | COUPE I490 | 18 | 996 645 113 00 | rack cd changer | | 1 | I692 |
| (7) | 997 645 332 00 | booster | | 1 | CABRIO I490 | 19 | 997 645 233 00 | support | /LL | 1 | I098/692 |
| 7 | 997 645 334 32 | booster note coding | 06 | 1 | I680 | (19) | 997 645 234 00 | support | /RL | 1 | I099/692 |
| 7 | P 997 645 334 33 | booster note coding | 07 | 1 | I680 | 20 | 997 645 235 00 | support | | 1 | I692 |
| 8 | 997 645 341 01 | support | | 1 | I490/664/680 | 21 | N 014 128 13 | oval-head screw M 5 X 8 | | 6 | I692 |
| 9 | 997 645 340 00 | clamp | | 1 | I490/664/680 | 22 | 900 377 018 09 | hexagon nut M 6 | | 3 | I692 |
| 9 | 997 645 340 00 | clamp | /RL | 1 | I099/490/680 | 23 | 997 642 105 00 | antenna GPS | | 1 | I670/672 |
| 10 | 999 507 532 02 | u-clamp | | 2 | I490/664/680 | 24 | 999 073 210 00 | tapping screw 4,8 X 13 | | 1 | I670/672 |
| 10 | 999 507 532 02 | u-clamp | /RL | 2 | I099/490/680 | 25 | 999 507 441 02 | speed nut 4,8 | | 1 | I670/672 |
| 11 | 997 645 342 01 | u-clamp | | 4 | I490/664/680 | 26 | 997 612 060 25 | connecting line antenna dvd device navigation system | | 1 | I670/672 |
| | | | | | | 27 | 997 647 117 00 | antenna booster | /L | 1 | I440 |
| | | | | | | (27) | 997 647 118 00 | antenna booster | /R | 1 | I440 |

| | | | | | | | | | | | |
|-------|------|----|----|--------------|--------------|--------|------|------------|---------|-----|---------|
| Model | Year | MG | SG | Illustration | Restrictions | Update | 8:00 | 28.08.2006 | PORSCHE | PET | PORSCHE |
| 997 | 07 | 9 | 11 | 911-01 | | 203 | | | | | |

| Pos | Part Number | Name | Remarks | Qty | Model | Pos | Part Number | Name | Remarks | Qty | Model |
|------|----------------|--|---------|-----|---------------------------|------|----------------|--|---------|-----|--------------------------|
| 28 | 997 647 124 00 | control unit | | 1 | I440 | (34) | 997 612 068 00 | connecting line | /LL | 1 | CABRIO I098/ I461/694 |
| 29 | 999 591 904 40 | fastening part | | 2 | I440 | | | antenna base radio | | | |
| 30 | 997 612 069 00 | connecting line antenna booster control unit | /LL | 1 | COUPE I098/ I461/665 | (34) | 997 612 068 50 | connecting line antenna base radio | /RL | 1 | CABRIO I099/ I461/694 |
| 30 | 997 612 069 50 | connecting line antenna booster control unit | /RL | 1 | COUPE I099/ I461/665 | | | - - - E N D - - - | | | |
| 30 | 997 612 066 00 | connecting line antenna booster control unit | /LL | 1 | CABRIO I098/ I461/665 | | | | | | |
| 30 | 997 612 066 50 | connecting line antenna booster control unit | /RL | 1 | CABRIO I099/ I461/665 | | | | | | |
| (30) | 997 612 055 00 | connecting line antenna booster control unit | /LL | 1 | I098/665 | | | | | | |
| (30) | 997 612 056 00 | connecting line antenna booster control unit | /RL | 1 | I099/665 | | | | | | |
| (30) | 997 612 062 50 | connecting line antenna booster control unit | | 1 | I461/I694 | | | | | | |
| (31) | 997 612 058 00 | connecting line control unit control part or radio | | 1 | I665/I694 I665 I694 | | | | | | |
| 32 | 997 647 231 00 | antenna base | | 1 | COUPE I461 | | | | | | |
| (32) | 997 647 221 00 | antenna base | | 1 | CABRIO I461 | | | | | | |
| 33 | 997 647 233 00 | antenna rod | | 1 | COUPE I461 | | | | | | |
| (33) | 997 647 223 00 | antenna rod | | 1 | CABRIO I461 | | | | | | |
| 34 | 997 612 070 00 | connecting line antenna base radio | | 1 | COUPE I461/ I694 | | | | | | |

| | | | | | | | | | | | |
|-------|------|----|----|--------------|--------------|--------|------|------------|---------|-----|---------|
| Model | Year | MG | SG | Illustration | Restrictions | Update | 8:00 | 28.08.2006 | PORSCHE | PET | PORSCHE |
| 997 | 07 | 9 | 11 | 911-05 | | 203 | | | | | |

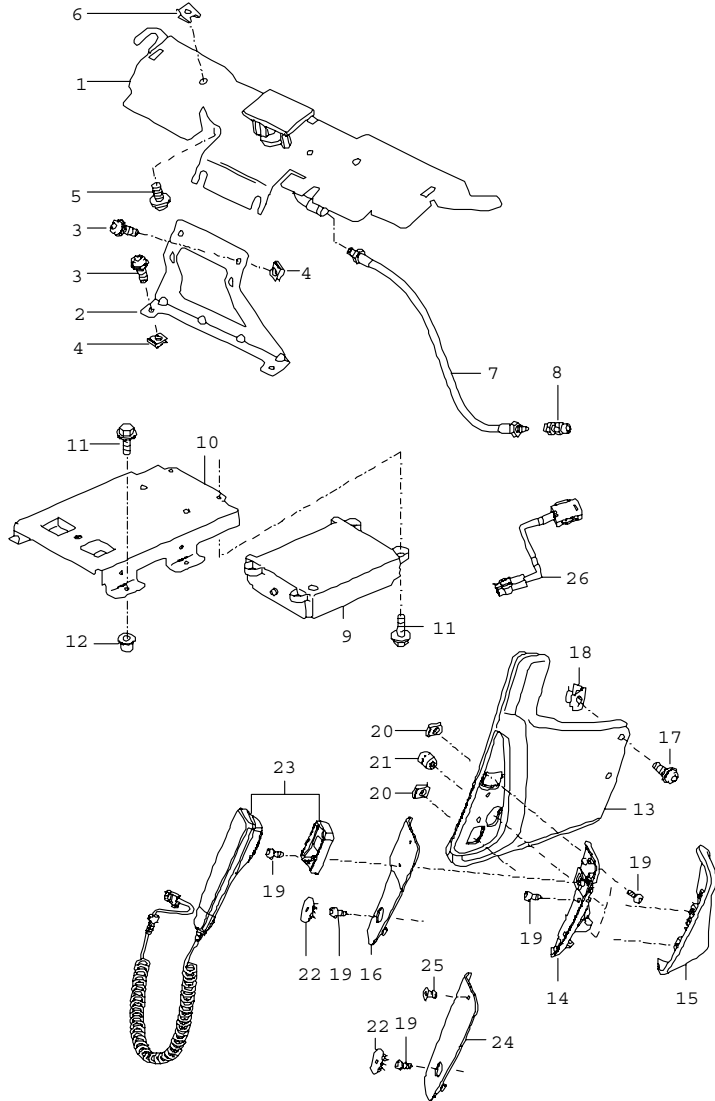


| Pos | Part Number | Name | Remarks | Qty | Model |
|-----|----------------|-------------------------------|---------|-----|------------|
| 1 | 997 645 021 00 | loudspeaker tweeter dashboard | | 2 | I490 |
| (1) | 997 645 025 00 | tweeter dashboard | | 2 | I680 |
| 2 | 999 591 303 01 | u-clamp | | 4 | |
| 3 | 997 645 033 00 | loudspeaker dashboard centre | | 1 | I490 |
| (3) | 997 645 035 00 | loudspeaker dashboard centre | | 1 | I680 |
| 4 | 999 507 971 01 | speed nut 4,2 | | 4 | |
| 5 | 997 645 543 00 | mid-range loudspeaker door | | 2 | I490 |
| (5) | 997 645 545 00 | mid-range loudspeaker door | | 2 | I680 |
| 6 | 999 919 164 09 | oval-head screw 5,0 X 12 | | 4 | |
| 7 | 997 645 553 00 | woofer | | 2 | I490 |
| (7) | 997 645 555 00 | woofer | | 2 | I680 |
| 8 | N 014 743 2 | pan-head screw M 6 X 30 | | 8 | |
| 9 | 997 645 041 01 | loudspeaker rear | | 2 | I490 |
| (9) | 997 645 045 01 | loudspeaker rear | | 2 | I680 |
| 10 | 999 073 225 09 | tapping screw 4,8 X 16 | | 2 | |
| 11 | 999 507 441 09 | speed nut 4,8 | | 2 | |
| 12 | 997 645 564 00 | subwoofer | | 1 | COUPE I680 |
| | FMF | black | | | |
| | FMG | stone grey | | | |
| | FMM | sand beige | | | |

| | | | | | | | | | | | |
|-------|------|----|----|--------------|--------------|--------|------|------------|---------|-----|---------|
| Model | Year | MG | SG | Illustration | Restrictions | Update | 8:00 | 28.08.2006 | PORSCHE | PET | PORSCHE |
| 997 | 07 | 9 | 11 | 911-05 | | 203 | | | | | |

| Pos | Part Number | Name | Remarks | Qty | Model | Pos | Part Number | Name | Remarks | Qty | Model |
|------|----------------|-------------------|---------|-----|----------------------|------|----------------|-----------------------------------|-------------------|-----|-------------|
| | FMN | sea blue | | | | | 5V7 | stone grey | | | |
| | FMO | palmgreen | | | | | 5Z1 | sand beige | | | |
| | FMP | terracotta | | | | | 8W7 | sea blue | | | |
| | FMQ | cocoa | | | | | 5Y2 | palmgreen | | | |
| | FMR | dark grey/natural | | | | | 8X8 | terracotta | | | |
| | FMS | brown/natural | | | | | 8P9 | cocoa | | | |
| 13 | 997 645 566 00 | subwoofer | /LL | 1 | CABRIO I098/ I680 | | T13 | brown/natural | | | |
| | A10 | black | | | | (15) | 996 645 245 00 | support | /L | 1 | COUPE I680 |
| | B10 | stone grey | | | | 15 | 996 645 246 00 | support | /R | 1 | COUPE I680 |
| | T10 | sand beige | | | | 16 | 999 507 766 02 | speed nut M 6 | | 2 | COUPE I680 |
| | E10 | sea blue | | | | 17 | 999 073 113 09 | oval-head screw M 6,0 X 50 ASP | | 2 | COUPE I680 |
| | J10 | palmgreen | | | | 18 | 900 380 015 09 | hexagon nut VM 6 | | 4 | COUPE I680 |
| | M10 | terracotta | | | | 19 | 997 645 569 00 | support | | 2 | CABRIO I680 |
| | R10 | cocoa | | | | 20 | 900 378 035 09 | hexagon-head bolt M 6 X 16 | | 2 | CABRIO I680 |
| | D11 | dark grey/natural | | | | 21 | 999 073 223 07 | oval-head screw M 6 X 25 | | 1 | CABRIO I680 |
| (13) | 997 645 567 00 | subwoofer | /RL | 1 | CABRIO I099/ I680 | 22 | 999 500 069 02 | blind rivet nut M 6 | | 3 | CABRIO I680 |
| | A10 | black | | | | | | | | | |
| | B10 | stone grey | | | | | | | | | |
| | T10 | sand beige | | | | | | | | | |
| | E10 | sea blue | | | | | | | | | |
| | J10 | palmgreen | | | | | | | | | |
| | M10 | terracotta | | | | | | | | | |
| | R10 | cocoa | | | | | | | | | |
| | D11 | dark grey/natural | | | | | | | | | |
| | T11 | brown/natural | | | | | | | | | |
| 14 | 996 645 568 00 | rose | | 2 | COUPE I680 | | | | | | |
| | A03 | black | | | | | | | | | |
| | | | | | | | | | - - - E N D - - - | | |

| | | | | | | | | | | | |
|-------|------|----|----|--------------|--------------|--------|------|------------|---------|-----|---------|
| Model | Year | MG | SG | Illustration | Restrictions | Update | 8:01 | 28.08.2006 | PORSCHE | PET | PORSCHE |
| 997 | 07 | 9 | 11 | 911-10 | | 203 | | | | | |



| Pos | Part Number | Name | Remarks | Qty | Model |
|-----|----------------|---|---------|-----|------------|
| | | telephone | | | I618/I666 |
| 1 | 997 647 125 01 | antenna | /LL | 1 | I098 |
| (1) | 997 647 126 01 | antenna | /RL | 1 | I099 |
| 2 | 997 647 127 00 | support | /LL | 1 | I098 |
| (2) | 997 647 128 00 | support | /RL | 1 | I099 |
| 3 | 999 073 236 0A | oval-head screw M 6 X 10 | | 4 | |
| 4 | 999 507 550 0A | speed nut M 6 | | 4 | |
| 5 | 999 073 210 00 | tapping screw 4,8 X 13 | | 2 | |
| 6 | 999 507 441 02 | speed nut 4,8 | | 2 | |
| 7 | 997 612 061 00 | connecting line | | 1 | I618 |
| (7) | 997 612 065 00 | connecting line for control unit 997.646.207.01/02 | | 1 | COUPE I666 |
| (7) | 997 612 065 05 | connecting line for control unit 997.646.208.04/13 | | 1 | I666 |
| (7) | 997 612 989 00 | connecting line adapter for connecting line 997.612.065.00 to control unit 997.646.208.04/13 | | 1 | |
| 8 | 964 646 318 00 | adapter plug | | 1 | I618 |
| 9 A | 997 646 207 01 | control unit | | 1 | COUPE I666 |
| 9 A | 997 646 207 02 | control unit telephone | | 1 | COUPE I666 |
| | | F >>995S7 01788 | | | |
| | | F >>995S7 32291 | | | |
| | | see technical information | | | |
| | | GR. 9 , NR. 18/05 | | | |

| | | | | | | | | | | | |
|-------|------|----|----|--------------|--------------|--------|------|------------|---------|-----|---------|
| Model | Year | MG | SG | Illustration | Restrictions | Update | 8:01 | 28.08.2006 | PORSCHE | PET | PORSCHE |
| 997 | 07 | 9 | 11 | 911-10 | | 203 | | | | | |

| Pos | Part Number | Name | Remarks | Qty | Model | Pos | Part Number | Name | Remarks | Qty | Model |
|-----|------------------|---|-----------------------|-----|----------|------|------------------|-----------------------|---------|-----|-------|
| 9 | A 997 646 208 04 | control unit telephone F 995S7 01789>>995S7 50848 F 995S7 32292>>995S7 37431 F >>995S7 61191 see technical information GR. 9 , NR. 18/05 when required order also: | | 1 | I666 | | FSF | terrakotta/terrakotta | | | |
| | | | | | | | FSG | cocoa/cocoa | | | |
| | | | | | | | FSH | darkgrey natural/grey | | | |
| | | | | | | | FSJ | brown nat./brown nat. | | | |
| - | 997 612 989 00 | connecting line adapter | | 1 | | 13 | P 997 553 118 07 | cover lateral | /LL 06- | 1 | I098 |
| 9 | > 997 646 208 13 | control unit telephone F 995S7 50849>>996S7 51980 F 995S7 37432>>996S7 38110 F 995S7 61192>>996S7 17268 F 995S7 17614>>996S7 75014 F >>996S7 03170 F >>996S7 38109 F >>996S7 75016 see technical information GR. 9 , NR. 18/05 when required order also: | | 1 | I666 | | FSA | black/grey | | | |
| | | | | | | | FSB | stone grey/stone grey | | | |
| | | | | | | | FSC | sand beige/sand beige | | | |
| | | | | | | | FSD | seeblue/grey | | | |
| | | | | | | | FSE | palm-green/palm-green | | | |
| | | | | | | | FSF | terrakotta/terrakotta | | | |
| | | | | | | | FSG | cocoa/cocoa | | | |
| - | 997 612 989 00 | connecting line adapter | | 1 | | | FSH | darkgrey natural/grey | | | |
| | | | | | | | FSJ | brown nat./brown nat. | | | |
| 9 | N 997 646 209 00 | control unit telephone F 996S7 51981>> F 996S7 38111>> F 996S7 17269>> F 996S7 75015>> F 996S7 03171>> F 996S7 38110>> F 996S7 75017>> | | 1 | I666 | (13) | 997 553 117 04 | cover lateral | /RL 05 | 1 | I099 |
| | | | | | | | FSA | black/grey | | | |
| | | | | | | | FSB | stone grey/stone grey | | | |
| | | | | | | | FSC | sand beige/sand beige | | | |
| | | | | | | | FSD | seeblue/grey | | | |
| | | | | | | | FSE | palm-green/palm-green | | | |
| 10 | 997 642 216 00 | support | | 1 | I618/666 | | FSF | terrakotta/terrakotta | | | |
| | | | | | | | FSG | cocoa/cocoa | | | |
| 11 | 900 378 035 09 | hexagon-head bolt M 6 X 16 | | 4 | I618/666 | | FSH | darkgrey natural/grey | | | |
| | | | | | | | FSJ | brown nat./brown nat. | | | |
| 12 | 999 500 078 00 | sheetmetal press nut M 6 | | 2 | I618/666 | | FSF | terrakotta/terrakotta | | | |
| | | | | | | | FSG | cocoa/cocoa | | | |
| 13 | 997 553 118 04 | cover lateral | /LL 05 | 1 | I098 | | FSH | darkgrey natural/grey | | | |
| | | FSA | black/grey | | | | FSJ | brown nat./brown nat. | | | |
| | | FSB | stone grey/stone grey | | | (13) | P 997 553 117 07 | cover lateral | /RL 06- | 1 | I099 |
| | | FSC | sand beige/sand beige | | | | FSA | black/grey | | | |
| | | FSD | seeblue/grey | | | | FSB | stone grey/stone grey | | | |
| | | FSE | palm-green/palm-green | | | | FSC | sand beige/sand beige | | | |

| | | | | | | | | | | | |
|-------|------|----|----|--------------|--------------|--------|------|------------|---------|-----|---------|
| Model | Year | MG | SG | Illustration | Restrictions | Update | 8:01 | 28.08.2006 | PORSCHE | PET | PORSCHE |
| 997 | 07 | 9 | 11 | 911-10 | | 203 | | | | | |

| Pos | Part Number | Name | Remarks | Qty | Model | Pos | Part Number | Name | Remarks | Qty | Model |
|------|----------------|-----------------------|---------|-----|----------|------|----------------|---------------------------|---------|-----|--------------|
| | FSD | seeblue/grey | | | | | 01C | satin black | | | |
| | FSE | palm-green/palm-green | | | | (16) | 997 553 521 00 | plate | /RL | 1 | I099/668 |
| | FSF | terrakotta/terrakotta | | | | | 01C | satin black | | | |
| | FSG | cocoa/cocoa | | | | 16 | 997 553 986 00 | plate leather | /LL 06- | 1 | IXEA/098/668 |
| | FSH | darkgrey natural/grey | | | | | A11 | black | | | |
| | FSJ | brown nat./brown nat. | | | | | 5X6 | stone grey | | | |
| 14 | 997 553 520 00 | adapter | /LL | 1 | I098 | | 8G2 | sand beige | | | |
| (14) | 997 553 519 00 | adapter | /RL | 1 | I099 | | 3S9 | sea blue | | | |
| 15 | 997 553 418 01 | cover | /LL | 1 | I098 | | 4P2 | palmgreen | | | |
| | A11 | black | | | | | 9S5 | terracotta | | | |
| | 5X6 | stone grey | | | | | 9V6 | cocoa | | | |
| | 8G2 | sand beige | | | | | D12 | dark grey/natural | | | |
| | 3S9 | sea blue | | | | | T12 | brown/natural | | | |
| | 4P2 | palmgreen | | | | (16) | 997 553 985 00 | plate leather | /RL 06- | 1 | IXEA/099/668 |
| | 9S5 | terracotta | | | | | A11 | black | | | |
| | 9V6 | cocoa | | | | | 5X6 | stone grey | | | |
| | D12 | dark grey/natural | | | | | 8G2 | sand beige | | | |
| (15) | 997 553 417 01 | cover | /RL | 1 | I099 | | 3S9 | sea blue | | | |
| | A11 | black | | | | | 4P2 | palmgreen | | | |
| | 5X6 | stone grey | | | | | 9S5 | terracotta | | | |
| | 8G2 | sand beige | | | | | 9V6 | cocoa | | | |
| | 3S9 | sea blue | | | | | D12 | dark grey/natural | | | |
| | 4P2 | palmgreen | | | | | T12 | brown/natural | | | |
| | 9S5 | terracotta | | | | 17 | 999 073 226 09 | tapping screw 4,2 X 16 | | 2 | |
| | 9V6 | cocoa | | | | 18 | 999 591 508 02 | captive nut 4,2 | | 2 | |
| | D12 | dark grey/natural | | | | 19 | 999 073 155 09 | tapping screw 4,2 X 13 | | 7 | |
| | T12 | brown/natural | | | | | | | | | |
| 16 | 997 553 522 00 | plate | /LL | 1 | I098/668 | | | | | | |

| | | | | | | | | | | | |
|-------|------|----|----|--------------|--------------|--------|------|------------|---------|-----|---------|
| Model | Year | MG | SG | Illustration | Restrictions | Update | 8:01 | 28.08.2006 | PORSCHE | PET | PORSCHE |
| 997 | 07 | 9 | 11 | 911-10 | | 203 | | | | | |

| Pos | Part Number | Name | Remarks | Qty | Model | Pos | Part Number | Name | Remarks | Qty | Model |
|-----|------------------|----------------------------------|---------|-----|----------|------|----------------|----------------------------------|-------------------|-----|--------------------|
| 20 | 999 507 971 01 | speed nut 4,2 | | 2 | | 24 | 997 553 522 01 | plate | /LL | 1 | I098/618 |
| 21 | 999 507 645 02 | threaded piece 4,2 | | 1 | | | 01C | satin black | | | |
| 22 | 997 553 751 00 | cap | | 1 | | (24) | 997 553 521 01 | plate | /RL | 1 | I099/618 |
| | 01C | satin black | | | | | 01C | satin black | | | |
| 22 | 997 553 984 00 | cap leather | 06- | 1 | IXEA | 25 | 999 919 230 00 | countersunk-head screw 3 X 10 | | 1 | I618 |
| | A11 | black | | | | 26 | 997 646 307 00 | microphone | | 1 | I618/I666 |
| | 5X6 | stone grey | | | | (26) | 997 646 307 01 | microphone | | 1 | I618/I666/ I680 |
| | 8G2 | sand beige | | | | - | 997 610 233 00 | cable guide microphone | | 1 | |
| | 3S9 | sea blue | | | | | | | | | |
| | 4P2 | palmgreen | | | | | | | | | |
| | 9S5 | terracotta | | | | | | | | | |
| | 9V6 | cocoa | | | | | | | | | |
| | D12 | dark grey/natural | | | | | | | | | |
| | T12 | brown/natural | | | | | | | | | |
| 23 | A 996 642 212 01 | receiver telephone | | 1 | I668 | | | | | | |
| 23 | 996 642 212 02 | receiver telephone | | 1 | I668 | | | | | | |
| 23 | 996 642 980 15 | receiver telephone leather | 06- | 1 | IXEA/668 | | | | | | |
| | A11 | black | | | | | | | | | |
| | 5X6 | stone grey | | | | | | | | | |
| | 8G2 | sand beige | | | | | | | | | |
| | 3S9 | sea blue | | | | | | | | | |
| | 4P2 | palmgreen | | | | | | | | | |
| | 9S5 | terracotta | | | | | | | | | |
| | 9V6 | cocoa | | | | | | | | | |
| | D12 | dark grey/natural | | | | | | | | | |
| | T12 | brown/natural | | | | | | | | | |
| | | | | | | | | | - - - E N D - - - | | |

MXI KAT26

| KAT. | M-X-I-NR | BENENNUNG-Deutsch DESCRIPTION-English |
|------|----------|---|
| 26 | IXAA | Aerokit Cup Aerokit cup |
| 26 | IXAF | Aerokit Turbo Turbo aerokit |
| 26 | IXAG | Carrera - Heckspoiler Carrera - rear spoiler |
| 26 | IXAH | Aerokit Carrera 4S Carrera 4S aerokit |
| 26 | IXAJ | Schwellerblenden lackiert Painted sill covers |
| 26 | IXCA | Nutleiste (3-teilig) Sportsilber Dashboard trim strip (3-part) sports seats |
| 26 | IXCB | Instrumentenabdeckung Unterteil Sportsilber Instrument surround sports seats |
| 26 | IXCC | Seitendüsen Sportsilber Side air vents sports seats |
| 26 | IXCD | Mitteldüsenträger Sportsilber Center air vent bracket sports seats |
| 26 | IXCE | Mittelkonsole hinten Sportsilber Rear center console sports seats |
| 26 | IXCG | Sportsitzrückenlehne Alu-Optik Sports seat backrest in Aluminium-Look finish |
| 26 | IXCH | Seiten-/Mitteldüsenlamellen Sportsilber Side/center air vent slats sport seats |
| 26 | IXCK | Mittelkonsole hinten Galvanosilber Rear center console in Galvano Silver |
| 26 | IXCL | Instrumentenabdeckung Unterteil Galvanosilber Instrument surround in Galvano Silver |
| 26 | IXCM | Überrollbügel in Galvanosilber Roll-over bar in Galvano Silver |
| 26 | IXCN | Seitendüsen in Alu-Optik (997) Side air vents in Aluminium-Look finish (997) |
| 26 | IXCY | Mitteldüse Alu-Optik Center air vent in Aluminium-Look finish |
| 26 | IXCZ | Schalwegverkürzung Switch travel shortening |
| 26 | IXD9 | Felgenstern in Wagenfarbe lackiert Wheel painted in body colour |
| 26 | IXEA | Passivhörer in Leder Passive handset in leather |
| 26 | IXE8 | Schaltnopf Alu/Wurzelholz Dunkel/Leder Gear lever knob aluminium/dark burr maple/leather |
| 26 | IXE9 | Handbremshebel Alu/Wurzelholz Dunkel/Leder Handbrake lever aluminium/dark burr maple/leather |
| 26 | IXFD | Instrumenten-Zifferblatt lackiert in sandbeige Instrument dials in sand beige |
| 26 | IXFE | Instrumenten-Zifferblatt lackiert in terrakotta Instrument dials in terrakotta |
| 26 | IXFF | Instrumenten-Zifferblatt lackiert in braun/natur Instrument dials in brown/natural |
| 26 | IXFG | Instrumenten-Zifferblatt lackiert in indischrot Instrument dials in guards red |
| 26 | IXFH | Instrumenten-Zifferblatt lackiert in speedgelb Instrument dials in speedyellow |
| 26 | IXFJ | Instrumenten-Zifferblatt lackiert in carraraweiß Instrument dials in carrara white |
| 26 | IXJL | Luftseitendüse Makassar Macassar side air vent |
| 26 | IXJM | Luftseitendüse Platane Sycamore side air vent |
| 26 | IXJN | Mitteldüse Makassar Macassar center air vent |

MXI KAT26

| | | |
|----|-------|--|
| 26 | I XJP | Mitteldüse Platane |
| | | Sycamore center air vent |
| 26 | I XJR | Defrosterblende Makassar |
| | | Macassar windscreen defroster panel |
| 26 | I XJS | Defrosterblende Platane |
| | | Sycamore windscreen defroster panel |
| 26 | I XJT | Mittelkonsole hinten Makassar |
| | | Macassar rear center console |
| 26 | I XJU | Mittelkonsole hinten Platane |
| | | Sycamore rear center console |
| 26 | I XJ4 | Rosette für Zündschloss Lederbezogen |
| | | Leather cover for ignition lock surround |
| 26 | I XKB | Luftseitendüse Wurzelholz/Ahorn hell |
| | | Side air vent in light burr maple |
| 26 | I XKC | Luftseitendüse Wurzelholz/Ahorn dunkel |
| | | Side air vent in dark burr maple |
| 26 | I XKD | Luftseitendüse carbon |
| | | Side air vent in carbon |
| 26 | I XKG | Defrosterblende Wurzelholz/Ahorn hell, Leder |
| | | "Windscr. defr. panel in light burr maple; leather" |
| 26 | I XKH | Defrosterblende Wurzelholz/Ahorn dunkel, Leder |
| | | "Windscr. defr. panel in dark burr maple; leather" |
| 26 | I XKJ | Defrosterblende Carbon/Leder |
| | | Defroster trim in carbon/leather |
| 26 | I XKL | Lautsprecherabdeckungen in Leder |
| | | Leather speaker covers |
| 26 | I XKM | Lautsprecherabdeckungen Wurzelholz/Ahorn hell |
| | | Speaker covers in light burr maple |
| 26 | I XKN | Lautsprecherabdeckungen Wurzelholz/Ahorn dunkel |
| | | Speaker covers in dark burr maple |
| 26 | I XKP | Lautsprecherabdeckungen in Carbon |
| | | Carbon speaker covers |
| 26 | I XKR | Mitteldüsenträger Wurzelholz/Ahorn hell |
| | | Center air vent bracket in light burr maple |
| 26 | I XKS | Mitteldüsenträger Wurzelholz/Ahorn dunkel |
| | | Center air vent bracket in dark burr maple |
| 26 | I XLA | Boxster-Endrohr |
| | | Boxster tail pipe |
| 26 | I XLF | Sportabgasanlage |
| | | Sports exhaust system |
| 26 | I XMA | Himmel mit Leder bezogen |
| | | Rooflining in leather |
| 26 | I XME | Mittelkonsole hinten lackiert |
| | | Rear section of centre console painted |
| 26 | I XMF | Mittelkonsole vorn inklusive 2 Ablagen, Leder |
| | | Front center console incl. 2 storage bins, leather |
| 26 | I XMJ | Mittelkonsole hinten Carbon |
| | | Rear section of centre console in carbon |
| 26 | I XMK | Überrollbügel in Exterieurfarbe |
| | | Roll-over bar in exterior color |
| 26 | I XML | Mittelkonsole hinten Wurzelholz Ahorn hell |
| | | Rear center console in light burr maple |
| 26 | I XMP | Sonnenblende Leder, 2 Make-up-Spiegel, beleuchtet |
| | | Leather sun visor, 2 lit make-up mirrors, illuminated |
| 26 | I XMR | Sonnenblende Leder, 2 Make-Up-Spiegel beleuchtet Leder |
| | | Sun visor in leather, 2 illuminated vanity mirrors, |
| 26 | I XMZ | Mittelkonsole hinten Leder |
| | | Rear section of centre console in leather |
| 26 | I XNB | Mittelkonsole hinten Wurzelholz Ahorn dunkel |
| | | Rear center console in dark burr maple |
| 26 | I XNG | Instrumentenabdeckung Unterteil Leder |
| | | Instrument surround in leather |
| 26 | I XNN | Mitteldüsenträger in Leder |
| | | Center air vent bracket in leather |
| 26 | I XNR | Mitteldüsenträger Carbon |
| | | Carbon center air vent bracket |
| 26 | I XNS | Lenkstock-Verkleidung 4-teilig Leder |
| | | Leather steering column trim, 4-part |

MXI KAT26

| | | |
|----|-------|--|
| 26 | I XNU | Zierleiste (Nut) in Leder Leather trim strip (dashboard) |
| 26 | I XNV | Zierleiste (Nut) Wurzelholz/Ahorn hell Trim strip (dashboard) in light burr maple |
| 26 | I XNW | Zierleiste (Nut) Wurzelholz/Ahorn dunkel Trim strip (dashboard) in dark burr maple |
| 26 | I XNX | Zierleiste (Nut) in Carbon Carbon trim strip (dashboard) |
| 26 | I XN3 | Luftseitendüse Armaturenbrett Leder Dashboard side air vent in leather |
| 26 | I XPA | 3-Speichen Sportlenkrad, Leder Interieurfarbe 3-spoke sports steering wheel in leather interior color |
| 26 | I XPB | 3-Speichen Sportlenkrad, Wurzelholz/Ahorn hell, Leder 3-spoke sports steering wheel, light burr maple, leather |
| 26 | I XPC | 3-Speichen Sportlenkrad, Wurzelholz/Ahorn dunkel, Leder 3-spoke sports steering wheel, dark burr maple, leather |
| 26 | I XPD | 3-Speichen Sportlenkrad, Carbon/Leder 3-spoke sports steering wheel, carbon/leather |
| 26 | I XPG | 3-Speichen Sportlenkrad, Sportsilber 3-spoke sports steering wheel, sports seats |
| 26 | I XPV | Multi-funktions-Lenkrad Galvanosilber Multi-function steering wheel rim, Galvano Silver |
| 26 | I XPW | Instrumentenabdeckung Unterteil Wurzelholz/Ahorn, Hell Instrument surround in light burr maple |
| 26 | I XPX | Instrumentenabdeckung Unterteil Wurzelholz/Ahorn, Dunkel Instrument surround in dark burr maple, dark |
| 26 | I XPY | Instrumentenabdeckung Unterteil Carbon Carbon instrument surround |
| 26 | I XRB | Sport-Classic-2 Rad 18" 18" Sport Classic II wheel |
| 26 | I XRC | Sport-Techno Rad 18" 18" SportTechno wheel |
| 26 | I XRL | Sport-Design-Rad 18" 18" SportDesign wheel |
| 26 | I XRN | Distanzscheiben 17 mm, hinten 17-mm spacers, rear |
| 26 | I XRP | Distanzscheiben 5 mm, vorn/hinten 5-mm spacers, front/rear |
| 26 | I XRR | Carrera Sport Rad 19" 19-in. Carrera Sport wheel |
| 26 | I XSA | Sportsitzrückenlehne lackiert Painted sports seat backrest |
| 26 | I XSB | Sportsitzrückenlehne in Leder Leather sports seat backrest |
| 26 | I XSC | Porsche Wappen geprägt in Kopfstütze Porsche crest embossed in headrest |
| 26 | I XSD | Sitzbedienelemente in Leder Front seat controls in leather |
| 26 | I XSE | Schalensitz links Bucket seat, left |
| 26 | I XSF | Schalensitz rechts Bucket seat, right |
| 26 | I XSG | Rennschalensitz links Racing bucket seat, left |
| 26 | I XSH | Sicherheitsgurte in Silber Silver safety belts |
| 26 | I XSJ | 6-Punkt-Gurte 6-point harness |
| 26 | I XSL | 6-Punkt-Sicherheitsbügel 6-point safety catch |
| 26 | I XSM | Rennsport-Sicherheitskäfig Racing safety cage |
| 26 | I XSN | Entfall hintere Sitzanlage Omission of rear seats |
| 26 | I XSR | Schalensitz rechts, Rückseite Carbon Carbon back for bucket seat, right |
| 26 | I XSS | Schalensitz links, Rückseite Carbon Carbon back for bucket seat, left |

MXI KAT26

| | | |
|----|-------|--|
| 26 | I XSU | Abgepolsterter Sitz Upholstered seat |
| 26 | I XSW | Sicherheitsgurte in Maritimblau Maritime Blue safety belts |
| 26 | I XSX | Sicherheitsgurte in Indischrot Seat belts in guards red |
| 26 | I XSY | Sicherheitsgurte in Speedgelb Seat belts in speed yellow |
| 26 | I XTG | Schwellerabdeckung innen Leder Inner door sills in leather |
| 26 | I XTJ | Türtafelteile Wurzelholz/Ahorn hell Door panel parts in light burr maple |
| 26 | I XTK | Türtafelteile Wurzelholz/Ahorn dunkel Door panel parts in dark burr maple |
| 26 | I XTL | Türtafelteile Carbon Door features in carbon |
| 26 | I XTR | Türtafelteile Alu-Optik Door panel parts in aluminum-look finish |
| 26 | I XTT | Türtafelteile Makassar Macassar door panel parts |
| 26 | I XTU | Türtafelteile Platane Sycamore door panel parts |
| 26 | I XTV | Türtafelteile Leder Leather door panel parts |
| 26 | I XTW | Türtafelteile Galvanosilber Door panel parts in galvano silver |
| 26 | I XVM | Mitteldüse in Leder Leather center air vent |
| 26 | I XVP | Zierleiste inklusive Abdeckung Cupholder in Leder Trim strip including cupholder cover in leather |
| 26 | I XVR | Seiten-/Mitteldüsen in Leder Side/center air vent in leather |
| 26 | I XV1 | Defrosterblende Lederbezogen Defroster trim in leather |
| 26 | I XXZ | Fussstütze Footrest |
| 26 | I XX1 | Fussmatten, Schriftzug, Leder eingefasst Floor mats, logo, leather border |
| 26 | I XX2 | Fussraumbelichtung Illuminated footwell |
| 26 | I XY5 | Kulisse Tiptronic-Wählhebel in Leder Tiptronic gear selector gate in leather |
| 26 | I XZB | Mitteldüse in Carbon Carbon center air vent |
| 26 | I XZD | Abdeckung Innenleuchte in Leder Interior light surround in leather |
| 26 | I X45 | Instrumenten-Zifferblatt lackiert in Interieurfarbe Instrument dial in interior color |
| 26 | I X46 | Tiptronic-Wählhebel in Alu/Leder Tiptronic selector lever in aluminum/leather |
| 26 | I X47 | Schaltnopf Carbon/Alu/Leder Gear lever knob in carbon/leather |
| 26 | I X48 | Tiptronic-Wählhebel in Carbon/Alu Tiptronic selector lever in carbon/aluminum |
| 26 | I X50 | Leistungssteigerung 331/340 kW Powerkit 331/340 kw |
| 26 | I X51 | Leistungssteigerung 250 kW Powerkit 250 kw |
| 26 | I X54 | Edelstahlendrohre Stainless steel tail pipes |
| 26 | I X58 | Handbremshebel Carb/Alu/Leder Handbrake lever in carbon/leather |
| 26 | I X65 | Tiptronic-Wählhebel Wurzelholz Hell/Alu Tiptr. sel. lever in light burr maple/aluminum |
| 26 | I X66 | Tiptronic-Wählhebel Wurzelholz Dunkel/Alu Tiptr. sel. lever in dark burr maple/aluminum |
| 26 | I X69 | Einsteigsblenden Carbon, Schriftzug Door entry guards in carbon with logo |

MXI KAT26

| | | |
|----|-------|--|
| 26 | I X70 | Einsteigsblenden Edelstahl, Schrifzug Door entry guards in stainless steel with logo |
| 26 | I X71 | Instrumenten-Zifferblatt Lackiert/Alufarbe Instrument dial painted/Aluminium-Look finish |
| 26 | I X72 | Schaltnopf Alu/Wurzelholz Hell/Leder Gear lever knob aluminium/light burr maple/leather |
| 26 | I X73 | Sportfahrwerk Turbo Turbo sports suspension |
| 26 | I X74 | Sportfahrwerk (exklusiv) Sports suspension (exclusive) |
| 26 | I X75 | Sperrdifferential (exklusiv) Differential lock (exclusive) |
| 26 | I X76 | Schwellerverkleidungen links/rechts Inner door sill guard left/right |
| 26 | I X91 | Handbremshebel Alu/Wurzelholz Hell/Leder Handbrake lever aluminium/light burr maple/leather |
| 26 | I X97 | Schaltnopf Alu/Leder Gear lever knob in aluminium/leather |
| 26 | I X98 | Handbremshebel Alu/Leder Handbrake lever in aluminium/leather |
| 26 | I X99 | Naturlleder Natural leather |
| 26 | I 022 | Zifferblätter Kombiinstrument in schwarz Black-Coloured instrument dials, instrument cluster |
| 26 | I 023 | Zifferblätter Kombiinstrument in silber Silver -coloured instrument dials, instrument cluster |
| 26 | I 024 | Griechenland-Ausführung Version for Greece |
| 26 | I 025 | Zifferblätter Stoppuhr in schwarz Black-coloured instrument dials, stopwatch |
| 26 | I 026 | Zifferblätter Stoppuhr in silber Silver -coloured instrument dials, stopwatch |
| 26 | I 029 | Serienfahrwerk Standard chassis |
| 26 | I 030 | Sportfahrwerk Sport-type running gear |
| 26 | I 032 | Langstreckenfahrwerk Touring suspension |
| 26 | I 034 | Italien - Ausführung Version for Italy |
| 26 | I 058 | Pralldämpfer vorn und hinten Impact absorbers front and rear |
| 26 | I 061 | Grossbritannien-Ausführung Version for Great Britain |
| 26 | I 062 | Schweden-ausführung Version for Sweden |
| 26 | I 063 | Luxemburg-Ausführung Version Luxemburg |
| 26 | I 064 | Niederlande-Ausführung Version for Netherlands |
| 26 | I 065 | Dänemark-Ausführung Version for Denmark |
| 26 | I 066 | Norwegen-Ausführung Version for Norway |
| 26 | I 067 | Finnland-Ausführung Version for Finland |
| 26 | I 068 | PAP Rechtslenker-Ausführung PAP right-hand drive version |
| 26 | I 069 | Sonstige-Länderausführung Other country version |
| 26 | I 071 | EU-Länderausführung EU country version |
| 26 | I 072 | Mexico-Ausführung Version for Mexico |
| 26 | I 073 | Russland-Ausführung Version for Russia |
| 26 | I 074 | PAP Linkslenker-Ausführung PAP left-hand drive version |

MXI KAT26

| | | |
|----|-------|---|
| 26 | I 098 | Linkslenker-Ausführung Left-hand drive version |
| 26 | I 099 | Rechtslenker-Ausführung Right-hand drive version |
| 26 | I 111 | Österreich-Ausführung Version for Austria |
| 26 | I 113 | Kanada - Ausführung Version for Canada |
| 26 | I 114 | Taiwan - Ausführung Version for Taiwan |
| 26 | I 119 | Spanien - Ausführung Version for Spain |
| 26 | I 124 | Frankreich - Ausführung Version for France |
| 26 | I 126 | Beschreibung französisch Control and indications in french lettering |
| 26 | I 127 | Beschreibung schwedisch Control and indications in schwedisch |
| 26 | I 130 | Beschreibung englisch Control and indications in english lettering |
| 26 | I 150 | Betrieb mit verbleitem Kraftstoff Operates with leaded gas |
| 26 | I 159 | Leistungsreduzierter Motor 155 kW/211 PS Curbed engine 155 kw/211 bhp |
| 26 | I 193 | Japan-Ausführung Version for Japan |
| 26 | I 194 | Batterie 60 Ah Battery 60 ah |
| 26 | I 195 | Batterie 70 Ah Battery 70 ah |
| 26 | I 196 | Batterie 80 Ah Battery 80 ah |
| 26 | I 197 | Stärkere Batterie Stronger battery |
| 26 | I 198 | Stärkerer Anlasser (1,7 kW) Enhanced starter motor (1.7 kw) |
| 26 | I 199 | Batterietrennschalter Battery disconnection switch |
| 26 | I 200 | Batterie 95 Ah * |
| 26 | I 210 | Kennzeichenhalter Ausführung 2 Licence plate holder version 2 |
| 26 | I 211 | Kennzeichenhalter Ausführung 3 Licence plate holder version 3 |
| 26 | I 215 | Saudi-Arabien - Ausführung Version for Saudi Arabia |
| 26 | I 218 | Kennzeichenhalter Ausführung 4 Licence plate holder version 4 |
| 26 | I 219 | Ausgleichsgetriebe Differential |
| 26 | I 220 | Sperrdifferential 40 % Locking differential 40 % |
| 26 | I 225 | Belgien-Ausführung Version for Belgium |
| 26 | I 249 | Tiptronic-Getriebe Tiptronic transmission |
| 26 | I 265 | Automatisch abblendbarer Innenspiegel mit Regensensor Automatic anti-dazzle interior mirror with rain sensor |
| 26 | I 266 | Automatisch abblendbarer Aussenspiegel Automatic anti-dazzle exterior mirror |
| 26 | I 267 | Automatisch abblendbarer Innen und Aussenspiegel Automaticly dimmable interior and exterior mirror |
| 26 | I 268 | Regensensor Rain sensor |
| 26 | I 270 | Aussenspiegel für Fahrerseite -plan-, elektrisch verstell- und beheizbar Outside mirror -plan- driver's side, electrically adjustable and heatable |

MXI KAT26

| | | |
|----|-------|---|
| 26 | I 271 | Aussenspiegel für Fahreseite -asphärisch-, elektrisch verstell- und beheizbar Outside mirror -aspherical - driver's side, electrically adjustable and heatable |
| 26 | I 273 | Aussenspiegel, elektrisch verstell- und beheizbar Outside mirror, electrically adjustable and heatable |
| 26 | I 274 | Make-Up Spiegel beleuchtet Make-up mirror illuminated |
| 26 | I 277 | Schweiz-Ausführung Version for Switzerland |
| 26 | I 288 | Scheiwerfer-Reinigungsanlage Headlamp washer |
| 26 | I 301 | Getriebeübersetzung lang Transmission ratio long |
| 26 | I 325 | Südafrika/Neuseeland-Ausführung Version for South Africa/New Zealand |
| 26 | I 335 | 3-Punkt-Automatik-Gurte, hinten Automatical safety belt, 3-point, rear |
| 26 | I 338 | Heck-Antrieb Rear-wheel drive |
| 26 | I 339 | Allrad-Antrieb 4-wheel drive |
| 26 | I 342 | Sitzheizung, links u. rechts Seat heating system, left/right seat |
| 26 | I 369 | Basissitz links Series seat, left |
| 26 | I 370 | Basissitz rechts Series seat, right |
| 26 | I 375 | Sportsitz, Lehnenschale, links Sportseat, backrest shell, left |
| 26 | I 376 | Sportsitz, Lehnenschale, rechts Sportseat, backrest shell, right |
| 26 | I 377 | Sportsitz, Lehnenschale, links, elektrisch Sportseat, backrest shell, left, electrically verstellbar adjustable |
| 26 | I 378 | Sportsitz, Lehnenschale, rechts, elektrisch verstellbar Sportseat, backrest shell, right, electrically adjustable |
| 26 | I 392 | Carrera Rad 17" 17" Carrera wheel |
| 26 | I 393 | Rad Boxster-2 17" (987) 17" Boxster II wheel (987) |
| 26 | I 397 | Rad Boxster S 18" (987) 18" Boxster II wheel (987) |
| 26 | I 398 | Cayman Rad 17" 17-in. Cayman wheel |
| 26 | I 401 | Cayman S Rad 18" 18-in. Cayman S wheel |
| 26 | I 402 | Carrera 3 Rad 18" Carrera 3 wheel 18" |
| 26 | I 403 | Carrera S Rad 19" Carrera S wheel 19" |
| 26 | I 404 | Turbo-1 Rad 19" 19" Turbo-1 wheel |
| 26 | I 405 | Carrera Classic Rad 19" Carrera classic wheel 19" |
| 26 | I 406 | Carrera GT Rad 19"/20" Carrera GT wheel 19"/20" |
| 26 | I 407 | Sport-Design Rad 19" Sportdesign wheel 19" |
| 26 | I 410 | Turbo-2 Rad 18" 18" Turbo-2 wheel |
| 26 | I 411 | Carrera-Rad 18" 18" Carrera-wheel |

MXI KAT26

| | | |
|----|-------|---|
| 26 | I 415 | Turbo-Look-2 Rad 18" 18" Turbo-Look II wheel |
| 26 | I 416 | Rad GT3 18" 18" GT3 wheel |
| 26 | I 418 | Rad Turbo-2 18" GT-Silber 18" Turbo II wheel in GT Silver |
| 26 | I 424 | CD-Ablage Cd compartment |
| 26 | I 425 | Heckscheibenwischer Rear window wiper |
| 26 | I 426 | Ohne Heckscheibenwischer Without rear window wiper |
| 26 | I 431 | Multi-funktionslenkrad, Touch & Feel Multi-function steering wheel, touch & feel |
| 26 | I 432 | Lenkrad mit Tiptronic-Bedienung Steering wheel with tiptronic control |
| 26 | I 435 | Sportlenkrad Sports steering wheel |
| 26 | I 436 | 3-Speichen-Airbaglenkrad 3-spoke airbag steering wheel |
| 26 | I 437 | Komfortsitze links, elektrisch verstellbar Comfort seat left, electrically adjustable |
| 26 | I 438 | Komfortsitze rechts, elektrisch verstellbar Comfort seat right, electrically adjustable |
| 26 | I 439 | Elektrische, Verdeckbetätigung Electrical roof catch |
| 26 | I 440 | Antennen-Diversität Antenna diversity |
| 26 | I 441 | Radiovorbereitung Prepared for radio |
| 26 | I 444 | Diebstahlsicherung, Radschrauben "THATCHAM" Anti-theft lock, wheel bolts "THATCHAM" |
| 26 | I 446 | Radzierdeckel konkav mit farbigem Wappen Concave hub cap with coloured escutcheon |
| 26 | I 447 | Notrad Emergency wheel |
| 26 | I 448 | Bremsbelag; Sportausführung Brake pad; sport version |
| 26 | I 450 | Keramik-Bremse (PCCB) Ceramic brake (PCCB) |
| 26 | I 451 | Multi-funktionslenkrad, makassar, Touch & Feel Multi-function steering wheel, makassar, touch & feel |
| 26 | I 452 | Multi-funktionslenkrad, platane, Touch & Feel Multi-function steering wheel, sycamore wood, touch & feel |
| 26 | I 453 | Multi-funktionslenkrad, carbon, Touch & Feel Multi-function steering wheel, carbon, touch & feel |
| 26 | I 454 | Automatische Geschwindigkeitsregulierung Automatic speed control |
| 26 | I 459 | 3-Speichen-Airbaglenkrad, Touch & Feel 3-spoke airbag steering wheel, touch & feel |
| 26 | I 460 | Sportlenkrad, Touch & Feel Sports steering wheel, touch & feel |
| 26 | I 461 | Stabantenne Rod antenna |
| 26 | I 465 | Nebelschlussleuchte links Rear fog light, left |
| 26 | I 466 | Nebelschlussleuchte rechts Rear fog light, right |
| 26 | I 475 | Elektrische Dämpferregelung "PASM" "PASM" electronic damper control |
| 26 | I 476 | Porsche Stability Management (PSM) Porsche stability management (PSM) |
| 26 | I 479 | Australien - Ausführung Version for Australia |
| 26 | I 480 | 6-Gang Schaltgetriebe 6-speed manual transmission |
| 26 | I 482 | Reifendruckkontrolle, RDK 433 Mhz Tyre pressure monitoring tpm, 433 mhz |

MXI KAT26

- 26 1483 Reifendruckkontrolle, RDK 315 Mhz
315-mhz tpm, tyre pressure monitoring
- 26 1484 USA - Ausführung
Version for USA
- 26 1488 Beschriftung deutsch
Inscriptions in german language
- 26 1490 Klangpaket "ASK"
Sound system "ASK"
- 26 1492 Scheinwerfer für Linksverkehr
For left-hand traffic
- 26 1498 Entfall der Modellbezeichnung am Heck
Without vehicle-type-lettering on rear end
- 26 1499 Ausführung für die Bundesrepublik Deutschland
Version for Germany
- 26 1501 Car-Cover
Car cover
- 26 1509 Feuerlöscher
Fire extinguisher
- 26 1513 Lordosenstütze rechter Sitz
Back-support (lordose) right seat
- 26 1524 Wegfahrsicherung, Zentralverriegelung, 433 MHz
Immobilizer, central locking, 433 mhz
- 26 1525 Wegfahrsicherung, Zentralverriegelung, 315 MHz
Immobilizer, central locking, 315 mhz
- 26 1532 Entfall Fernbedienung Alarmanlage
Deleted remote control anti-theft device
- 26 1533 Entfall Funkbetätigung Verdeck
Radio convertible-top operation omitted
- 26 1534 Diebstahlsicherungsanlage 433 Mhz
Theft security system 433 mhz
- 26 1535 Diebstahlsicherungsanlage 315 Mhz
Theft security system 315 mhz
- 26 1536 Alarmsirene und Neigunggeber
Alarm siren and tilt sensor
- 26 1537 Sitzpositions-Steuerung für Komfortsitz, links
Seating position control for confort seat, left
- 26 1538 Sitzpositions-Steuerung für Komfortsitz, rechts
Seating position control
Komfortsitz, rechts for confort seat, right
- 26 1539 Mechanische Sitzhöhenverstellung links
Mechanical seat-height adjustment left
- 26 1540 Mechanische Sitzhöhenverstellung rechts
Mechanical seat-height adjustment right
- 26 1544 Diebstahlsicherung ohne Infrarot-Überwachung 433 MHz
Anti-theft protection without infrared monitoring 433 mhz
- 26 1545 Diebstahlsicherung ohne Infrarot-Überwachung 315 MHz
Anti-theft protection without infrared monitoring 315 mhz
- 26 1549 Dachtransportsystem
Roof rack system
- 26 1550 Hardtop
Hardtop
- 26 1551 Windstop
Wind deflector
- 26 1553 USA-Canada-Ausführung
Version for USA, Canada
- 26 1554 Bugspoilerlippe beige
Front spoiler lip included
- 26 1555 Sicherheitsgurte in Schwarz
Black safety belts
- 26 1560 Advanced Airbag
Advanced airbag
- 26 1562 Airbag Fahrer- und Beifahrerseite
Airbagdriver's side and front passenger's side
- 26 1563 Seitenairbag
Side airbag
- 26 1566 Nebelscheinwerfer weiß
Fog-headlamps, white
- 26 1567 Frontscheibe im oberen Bereich stark eingefärbt
Windshield tinted, upper part darker coloured

MXI KAT26

| | | |
|----|-------|--|
| 26 | I 568 | Windschutzscheibe ohne Bandfilter Windscreen without shade band |
| 26 | I 571 | Aktivkohlefilter Activated charcoal filter |
| 26 | I 572 | Klimaanlage manuell Manual air-conditioning system |
| 26 | I 573 | Klima-Anlage Air conditioner |
| 26 | I 574 | Ohne Klimaanlage Without air conditioner |
| 26 | I 575 | Kofferraumkühlung Luggage compartment cooling system |
| 26 | I 581 | Mittelkonsole vorn Center console front |
| 26 | I 584 | Ablagebox auf Motordeckel Storage box on engine cover |
| 26 | I 586 | Lordosenstütze linker Sitz Back-support (lordose) left seat |
| 26 | I 601 | Xenon-Licht Xenon light |
| 26 | I 602 | Hochgesetzte Bremsleuchte Araised stop lamp |
| 26 | I 606 | Tagfahrlicht Daytime running lamp |
| 26 | I 607 | Garagentoröffner "Homelink" 315Mhz Garage door opener "homelink" 315Mhz |
| 26 | I 608 | Garagentoroeffner "Homelink" 433Mhz Garage door opener "homelink" 433mhz |
| 26 | I 610 | DVD Navigation "Paket Europa" DVD navigation "paket Europa" |
| 26 | I 611 | DVD Navigation Südafrika DVD navigation South Africa |
| 26 | I 612 | DVD Navigation mittlerer Osten DVD navigation middle east |
| 26 | I 613 | DVD Navigation Australien DVD navigation australia |
| 26 | I 614 | DVD Navigation Asien-Pazifik DVD navigation asia-pacific |
| 26 | I 615 | DVD Navigation, Nordamerika DVD navigation system, North America |
| 26 | I 616 | DVD, Navigation Russland DVD, Navigation Russia |
| 26 | I 618 | Telefonvorbereitung Preparation of telephone installation |
| 26 | I 620 | E-Gas E-accelerator |
| 26 | I 621 | 12 Volt Steckdose, Beifahrerseite, Fussraum 12-V socket, passenger's side, footwell |
| 26 | I 625 | Porsche "entry and drive" "KESSY" "KESSY" porsche entry and drive |
| 26 | I 635 | Einparkhilfe Parking assistant |
| 26 | I 639 | Sport-Chrono-Paket Sports chrono package |
| 26 | I 640 | Sport-Chrono-Paket plus Sports chrono package plus |
| 26 | I 641 | elektronisches Fahrtenbuch electronic logbook |
| 26 | I 650 | Elektrisches Schiebedach Electrical sliding roof |
| 26 | I 651 | Elektrischer Fensterheber Electric window opener |
| 26 | I 652 | Ohne Schiebe-Hubdach Without sliding/tilting roof |
| 26 | I 657 | Servolenkung Power assisted steering |
| 26 | I 659 | Bordcomputer Computer |

MXI KAT26

| | | |
|----|------|---|
| 26 | 1660 | OBD 2 |
| | | OBD 2 |
| 26 | 1661 | Verschärftes Abgaskonzept |
| | | Stricter emission-control concept |
| 26 | 1664 | ORVR |
| | | ORVR |
| 26 | 1665 | PCM2 Grundmodul inklusive Radio |
| | | PCM2 basic module including radio |
| 26 | 1666 | PCM2 Telefon (GSM) |
| | | PCM2 telephone (GSM) |
| 26 | 1668 | PCM2 Telefonbedienhoerer |
| | | PCM2 telephone handset |
| 26 | 1670 | PCM2 Navigation |
| | | PCM2 navigation |
| 26 | 1672 | PCM-2 Navigation Offroad |
| | | PCM-2 Offroad navigation |
| 26 | 1675 | Ohne Radio Vorbereitung (Japan-Navi) |
| | | Without radio preparation (Japan nav system) |
| 26 | 1680 | Soundpaket BOSE |
| | | BOSE sound package |
| 26 | 1685 | Geteilte Rücksitzanlage |
| | | Rear seats, divided |
| 26 | 1689 | CD-Wechsler Vorbereitung |
| | | Preparation of CD-changer |
| 26 | 1690 | CD-Radio "Porsche Online Pro" |
| | | CD-radio "Porsche online pro" |
| 26 | 1692 | CD-Wechsler "Porsche" |
| | | CD-changer "Porsche" |
| 26 | 1694 | CD-Radio "PORSCHE CDR 24" |
| | | CD-radio "PORSCHE CDR 24" |
| 26 | 1697 | CD-Radio "Porsche CDR 23" |
| | | CD-Radio "Porsche CDR-23" |
| 26 | 1751 | PCCB, Vorderachse und Hinterachse 3K |
| | | * |
| 26 | 1752 | PCCB, Vorderachse MFF / Hinterachse 3K |
| | | * |
| 26 | 1796 | Ganzlederausstattung Naturlleder |
| | | Full leather trim natural leather |
| 26 | 1798 | Ganzlederausstattung Sonderleder |
| | | Full leather trim special leather |
| 26 | 1799 | Ganzlederausstattung nach Wahl |
| | | Full leather trim by choice |
| 26 | 1801 | Holzpaket Makassar, dunkel seidenmatt |
| | | Makassar wood package, dark dulled satin |
| 26 | 1802 | Holzpaket Platane, hell seidenmatt |
| | | Sycamore wood package, light dulled satin |
| 26 | 1803 | Carbonpaket |
| | | Carbon package |
| 26 | 1804 | Exterieur-Paket Carbon GT2 |
| | | GT2 carbon exterior package |
| 26 | 1805 | Lifestyle-Paket |
| | | Lifestyle package |
| 26 | 1810 | Fussmatten |
| | | * |
| 26 | 1936 | Sitzbezüge hinten, Leder |
| | | Seat covers rear, leather |
| 26 | 1937 | Sitzbezüge hinten, Kunstleder |
| | | Seat covers rear, leatherette |
| 26 | 1939 | Sitzbezüge hinten, Raffleder |
| | | Seat covers rear, draped leather |
| 26 | 1946 | Sitzbezüge vorne, Leder/Leder/Kunstleder |
| | | Seat covers front, leather/leather/leatherette |
| 26 | 1950 | Sitzbezüge vorne, Alcantara/Kunstleder/Kunstleder |
| | | Alcantara seat covers front |
| 26 | 1970 | Innenaustattung zwei farbig |
| | | Two-tone interior |
| 26 | 1971 | Naturlleder mit "TORO"-Prägung |
| | | "TORO" embossed leather |

MXI KAT26

| | | |
|----|------|--|
| 26 | 1981 | Leder-Ausstattung, ohne Sitzbezug Leather equipment, without seat covers |
| 26 | 1982 | Sitzbezüge vorne, Raffleder/Leder/Leder Seat covers front, draped leather/leather/leather |
| 26 | 1983 | Sitzbezüge vorne, Leder Seat covers front, leather |
| 26 | 1985 | Sitzbezüge, Leder/Leder/Kunstleder, 2 Seat covers, leather/leather/leatherette, 2 |
| 26 | 1990 | Sitzbezüge vorne, Stoff/Stoff/Kunstleder Seat covers front, cloth/cloth/leatherette |
| 26 | 1991 | Airbagmodul in Leder Steering wheel airbag module in leather |
| 26 | 1998 | Leder, Natur Leather, nature |
| 26 | 1999 | Innenraumüberwachung Sensor für Lederfarbe nach Wahl Passenger compartment monitoring sensor for leather colour of choice |

| Model | Year | MG | SG | Illustration | VIN No. | Update | | |
|-------|------|----|----|--------------|---------|--------|------|------------|
| 997 | 07 | 9 | 11 | 911-10 | | 203 | 8:39 | 28.08.2006 |

TR203

THIS PARTS CATALOGUE CONTAINS ALL ORDER INFORMATION OF
TYPE 997 FROM MODEL YEAR 2005

IT IS AVAILABLE IN TWO EDITIONS IN THE FOLLOWING LANGUAGES:

EDITION

USA, CANADA - *

EDITION

ALL OTHER COUNTRIES - GERMAN

* - ENGLISH

- FRENCH

- ITALIAN

- SPANISH

UPDATING IS BEING PERFORMED BY CHANGING OF UPDATE.

THE EDITION CAN BE RECOGNIZED BY THE CURRENT NO.
IN THE BOTTOM LINE OF SUBJECT UPDATE.

THE PREVIOUS UPDATE SHOULD NO LONGER BE USED.

ALL ILLUSTRATIONS ARE SUBJECT TO CHANGE WITHOUT OBLIGATION.

THE SEATS FOR EACH MODEL ARE AVAILABLE IN THE PARTS CATALOGUE
"SEATS (STZ 19)".

PET V-Pages

| | | | | | | | | |
|-------|------|----|----|--------------|---------|--------|------|------------|
| Model | Year | MG | SG | Illustration | VIN No. | Update | 8:39 | 28.08.2006 |
| 997 | 07 | 9 | 11 | 911-10 | | 203 | | |

FR203

| VEHICLE TYPE | MY | VIN | ENGINE | TYPE |
|-------------------------------|------|-------------------|--------|--------|
| 997 COUPE | 05 5 | 995S7 00061>10000 | M96.05 | 235 KW |
| 997 COUPE (USA.CDN.MEX.BR) | 05 5 | 995S7 15061>30000 | M96.05 | 235 KW |
| 997 COUPE S | 05 5 | 995S7 30061>40000 | M97.01 | 261 KW |
| 997 COUPE S (USA.CDN.MEX.BR) | 05 5 | 995S7 40061>50000 | M97.01 | 261 KW |
| 997 CABRIO | 05 5 | 995S7 50061>55000 | M96.05 | 235 KW |
| 997 CABRIO (USA.CDN.MEX.BR) | 05 5 | 995S7 55061>60000 | M96.05 | 235 KW |
| 997 CABRIO S | 05 5 | 995S7 60061>65000 | M97.01 | 261 KW |
| 997 CABRIO S (USA.CDN.MEX.BR) | 05 5 | 995S7 65061>70000 | M97.01 | 261 KW |
| | | | | |
| 997 COUPE | 06 6 | 996S7 00061>10000 | M96.05 | 239 KW |
| 997 COUPE (USA.CDN.MEX.BR) | 06 6 | 996S7 15061>30000 | M96.05 | 239 KW |
| 997 COUPE S | 06 6 | 996S7 30061>40000 | M97.01 | 261 KW |
| 997 COUPE S (USA.CDN.MEX.BR) | 06 6 | 996S7 40061>50000 | M97.01 | 261 KW |
| 997 CABRIO | 06 6 | 996S7 50061>55000 | M96.05 | 239 KW |
| 997 CABRIO (USA.CDN.MEX.BR) | 06 6 | 996S7 55061>60000 | M96.05 | 239 KW |
| 997 CABRIO S (RDW-1) | 06 6 | 996S7 60061>65000 | M97.01 | 261 KW |
| 997 CABRIO S (USA.CDN.MEX.BR) | 06 6 | 996S7 65061>71000 | M97.01 | 261 KW |
| 997 CABRIO S (RDW-2) | 06 6 | 996S7 75000>80000 | M97.01 | 261 KW |
| | | | | |
| 997 COUPE | 07 7 | 997S7 00061>10000 | M96.05 | 239 KW |
| 997 COUPE (USA.CDN.MEX.BR) | 07 7 | 997S7 10061>20000 | M96.05 | 239 KW |
| 997 COUPE S | 07 7 | 997S7 20061>30000 | M97.01 | 261 KW |
| 997 COUPE S (USA.CDN.MEX.BR) | 07 7 | 997S7 30061>40000 | M97.01 | 261 KW |
| 997 CABRIO | 07 7 | 997S7 60061>65000 | M96.05 | 239 KW |
| 997 CABRIO (USA.CDN.MEX.BR) | 07 7 | 997S7 65061>70000 | M96.05 | 239 KW |
| 997 CABRIO S | 07 7 | 997S7 70061>75000 | M97.01 | 261 KW |
| 997 CABRIO S (USA.CDN.MEX.BR) | 07 7 | 997S7 75061>80000 | M97.01 | 261 KW |

PET V-Pages

| | | | | | | | | |
|-------|------|----|----|--------------|---------|--------|------|------------|
| Model | Year | MG | SG | Illustration | VIN No. | Update | | |
| 997 | 07 | 9 | 11 | 911-10 | | 203 | 8:39 | 28.08.2006 |

TR203

EXPLANATION OF THE MOTOR-NUMBERS USED IN THE CATALOGUE
 =====

| | | | | | | | | | | |
|---------------------------------|--------|---|---|---|--|---|---|---|---|---|
| DIGIT: | | 1 | 2 | 3 | | 4 | 5 | 6 | 7 | 8 |
| EXAMPLE: | | 6 | 9 | 5 | | 0 | 0 | 1 | 3 | 6 |
| | | = | = | = | | = | = | = | = | = |
| | | ! | ! | ! | | ! | | | | ! |
| ENGINE TYPE (6 = 6-CYL.-ENGINE) | -----+ | ! | ! | ! | | ! | | | | ! |
| | | ! | ! | | | ! | | | | ! |
| ENGINE VERSION | -----+ | ! | | | | ! | | | | ! |
| | | ! | | | | ! | | | | ! |
| MODEL YEAR | -----+ | | | | | ! | | | | ! |
| | | | | | | ! | | | | ! |
| SERIAL NUMBER | -----+ | | | | | ! | | | | ! |

| | | | | | | | | |
|-------|------|----|----|--------------|---------|--------|------|------------|
| Model | Year | MG | SG | Illustration | VIN No. | Update | 8:39 | 28.08.2006 |
| 997 | 07 | 9 | 11 | 911-10 | | 203 | | |

MR203

| VEHICLE TYPE | ENGINE TYPE | MY | ENGINE NO. | TECHNICAL DATA |
|------------------------------|-------------|------|-----------------|-------------------|
| 997 COUPE/CABRIO | M96.05 | 05 5 | 695 00501>20000 | 6ZYL/3,6L /235 KW |
| 997 COUPE S/CABRIO S | M97.01 | 05 5 | 685 00501>60000 | 6ZYL/3,8L /261 KW |
| 997 COUPE/CABRIO | M96.05 | 06 6 | 696 00501>20000 | 6ZYL/3,6L /239 KW |
| 997 COUPE S/CABRIO S | M97.01 | 06 6 | 686 00501>60000 | 6ZYL/3,8L /261 KW |
| 997 COUPE/CABRIO | M96.05 | 07 7 | 697 00501>20000 | 6ZYL/3,6L /239 KW |
| 997 COUPE S/CABRIO S | M97.01 | 07 7 | 687 00501>40000 | 6ZYL/3,8L /261 KW |
| 997 COUPE S/CABRIO S KIT X51 | M97.01S | 07 7 | 687 40501>60000 | 6ZYL/3,8L /280 KW |

PET V-Pages

| | | | | | | | | |
|-------|------|----|----|--------------|---------|--------|------|------------|
| Model | Year | MG | SG | Illustration | VIN No. | Update | | |
| 997 | 07 | 9 | 11 | 911-10 | | 203 | 8:39 | 28.08.2006 |

TR203

EXPLANATION OF THE TRANSMISSION-NUMBERS USED IN THE CATALOGUE

```

=====
DIGIT:                1  2  3  4  5      6  7  8  9 10 11
EXAMPLE:              G  9  7  0  1      1  0  0  5  4  3
                      =  =====      =  =====
                      !                !                !
                      !                !                !
TRANSMISSION TYPE-----+                !                !
                      !                !                !
TRANSMISSION VERSION-----+                !                !
                      !                !                !
INDEX OF VARIANTS-----+                !                !
                      !                !                !
SERIAL NUMBER-----+                !                !
    
```

PET V-Pages

| | | | | | | | | |
|-------|------|----|----|--------------|---------|--------|------|------------|
| Model | Year | MG | SG | Illustration | VIN No. | Update | 8:39 | 28.08.2006 |
| 997 | 07 | 9 | 11 | 911-10 | | 203 | | |

GR203

| VEHICLE TYPE | TYPE | MY | TRANSMISSION NO. | TECHNICAL DATA |
|-----------------------|--------|------|-----------------------|----------------|
| 997 CARRERA | G97.01 | 05 5 | G9701 1 002001>999999 | 6-GANG |
| 997 CARRERA TIPTRONIC | A97.01 | 05 5 | A9701 1 002001>999999 | 5-GANG |
| 997 CARRERA C2 | G97.01 | 06 6 | G9701 1 002001>999999 | 6-GANG |
| 997 CARRERA TIP C2 | A97.01 | 06 6 | A9701 1 002001>999999 | 5-GANG |
| 997 CARRERA C4 | G97.31 | 06 6 | G9731 1 002001>999999 | 6-GANG |
| 997 CARRERA TIP C4 | A97.31 | 06 6 | A9731 1 002001>999999 | 5-GANG |
| 997 CARRERA C2 | G97.01 | 07 7 | G9701 1 002001>999999 | 6-GANG |
| 997 CARRERA TIP C2 | A97.01 | 07 7 | A9701 1 002001>999999 | 5-GANG |
| 997 CARRERA C4 | G97.31 | 07 7 | G9731 1 002001>999999 | 6-GANG |
| 997 CARRERA TIP C4 | A97.31 | 07 7 | A9731 1 002001>999999 | 5-GANG |

| | | | | | | | | |
|-------|------|----|----|--------------|---------|--------|------|------------|
| Model | Year | MG | SG | Illustration | VIN No. | Update | 8:40 | 28.08.2006 |
| 997 | 07 | 9 | 11 | 911-10 | | 203 | | |

TR203

LEGENDS AND NOTICES

=====

IN COLUMN -S- STATUS

- N NEW ADDITION
- P PART ALREADY IN PROGRAMME, BUT NEW AT THIS APPLICATION
- W DELETED AT THIS APPLICATION, BUT CONTINUED TO BE CARRIED
- A STOCK TO BE USED UP
- U DELETED WITHOUT REPLACEMENT
- * PART ALSO OR ONLY AVAILABLE IN REPAIR KIT
- > ALSO AVAILABLE IN EXCHANGE

IN COLUMN - ILL. -

- 1 IDENTIFICATION NO. IN ILLUSTRATION
- (1) PART ONLY SIMILAR AS ILLUSTRATED
- PART IS NOT ILLUSTRATED

FIG.-NUMBERS FOR WHICH THERE IS SHOWN NO TEXT ARE NOT VALID FOR THIS EDITION OF CATALOGUE

IN COLUMN -PART NUMBER/CODE-

000 000 000 00 PART NUMBER EQUALS ORDERING NO., IF A CODE IS SHOWN, IT WILL HAVE TO BE PART OF ORDERING NUMBER

01C COLOUR CODE

IN COLUMN -TEXT

INSTALLATION WITH ENGINE OR CHASSIS NUMBER-RANGE

EXAMPLE:

M 695 00389>> FROM ENGINE NO.

F >>995S7 00889 UP TO CHASSIS NO.

PET V-Pages

| | | | | | | | | |
|-------|------|----|----|--------------|---------|--------|------|------------|
| Model | Year | MG | SG | Illustration | VIN No. | Update | 8:40 | 28.08.2006 |
| 997 | 07 | 9 | 11 | 911-10 | | 203 | | |

TR203

IN COLUMN - A -

IDENTIFICATION LETTER FOR PERIOD OF INSTALLATION
THAT IS REPEATED SEVERAL TIMES IN THE CATALOG GROUP.

EXPLANATION PLEASE FIND IN TEXT COLUMN OF THE CATALOG GROUP

IN COLUMN - QU - = NO. OF PIECES

- 1 NUMBER PER APPLICATION
- X NUMBER AS NEEDED
- * AVAILABLE ONLY IN RUNNING LENGTHS 1 = 1 METRE

IN COLUMN - MODEL/SYMBOL -

- M650 OPTIONAL EQUIPMENT - SEE M-NO. LIST
- 98 LIMITATION OF MODEL YEAR FOR INSTANCE: VALID UP TO
END OF MODEL YEAR 1997
- /LL LHD
- /RL RHD
- /V FRONT I
I
- /H REAR I
I----> APPLIES TO
- /L LEFT I DIRECTION OF TRAVEL
I
- /R RIGHT I
-----+
- WW THE PART CAN BE USED INSTEAD OF THE
PRECEDING ONE.

| | | | | | | | | |
|-------|------|----|----|--------------|---------|--------|------|------------|
| Model | Year | MG | SG | Illustration | VIN No. | Update | 8:40 | 28.08.2006 |
| 997 | 07 | 9 | 11 | 911-10 | | 203 | | |

TR203

EQUIPMENT BY COUNTRY REGULATIONS
=====

- (A) AUSTRIA
- (AG) ARABIAN GULF STATES
- (AUS) AUSTRALIA
- (B) BELGIUM
- (BR) BRAZIL
- (CDN) CANADA
- (CH) SWITZERLAND
- (CN) PEOPLE'S REPUBLIC OF CHINA
- (D) FEDERAL REPUBLIC OF GERMANY
- (DK) DENMARK
- (E) SPAIN
- (F) FRANCE
- (GB) GREAT BRITAIN
- (GR) GREECE
- (HK) HONGKONG
- (I) ITALY
- (J) JAPAN
- (L) LUXEMBURG
- (N) NORWAY
- (NL) NETHERLANDS
- (NZ) NEW ZEALAND
- (P) PORTUGAL
- (ROK) KOREA
- (RC) TAIWAN
- (THA) THAILAND
- (S) SWEDEN
- (SA) SAUDI ARABIA
- (SF) FINLAND
- (USA) UNITED STATES OF AMERICA
- (ZA) SOUTH AFRICA