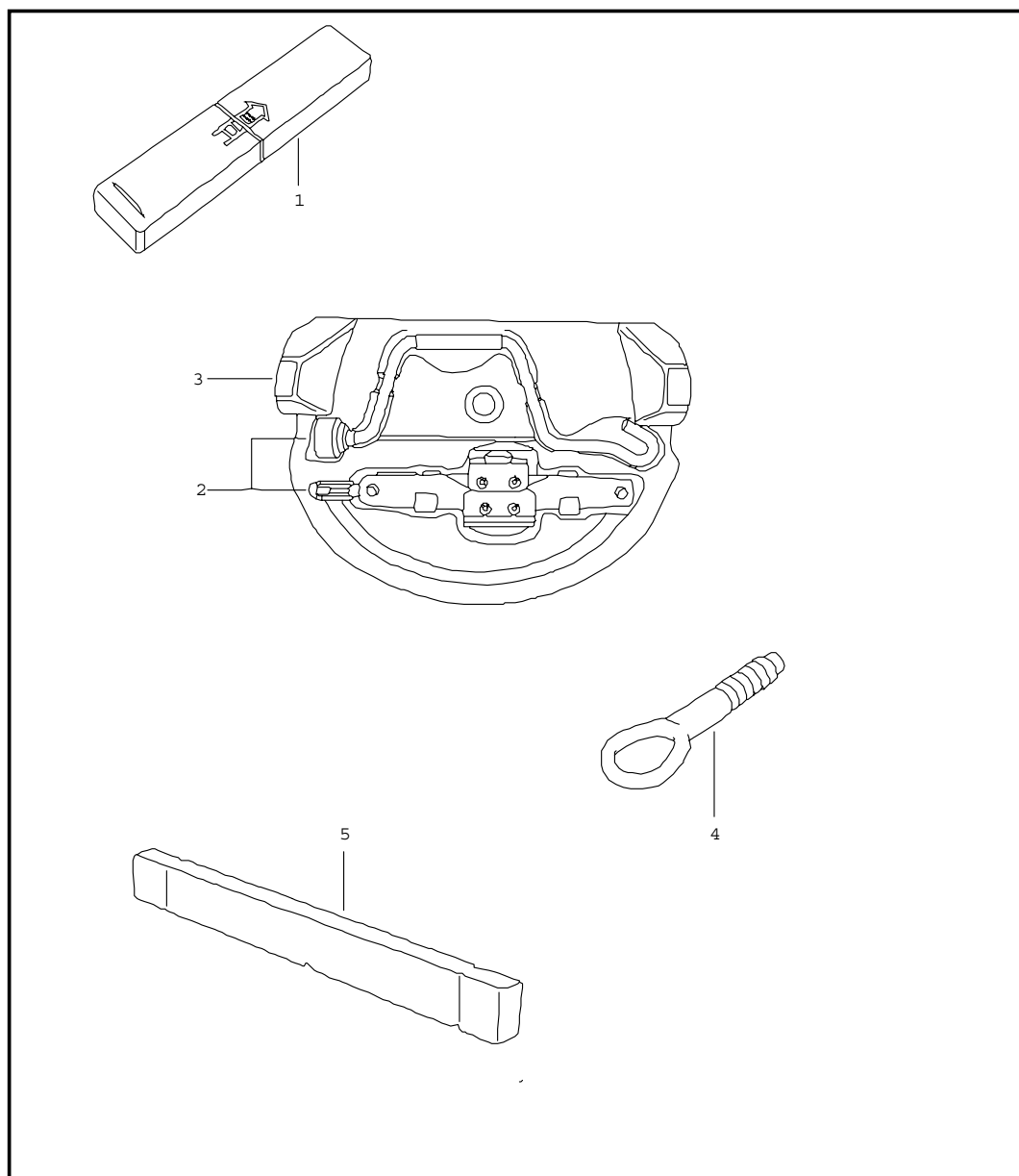


| | | | | | | | | | | | |
|-------|------|----|----|--------------|--------------|--------|------|------------|---------|-----|---------|
| Model | Year | MG | SG | Illustration | Restrictions | Update | 9:33 | 30.08.2006 | PORSCHE | PET | PORSCHE |
| 997t | 07 | 0 | 01 | 1-00 | | 203 | | | | | |



| Pos | Part Number | Name | Remarks | Qty | Model |
|-----|----------------|---|---------|-----|--------------|
| 1 | 997 721 115 00 | tool jack tool kit with contents comprising: | | 1 | |
| - | - | double-end spanner 10 X 13 | | 1 | |
| - | - | screw driver | | 1 | |
| - | - | handle for screw driver | | 1 | |
| - | 999 571 077 02 | socket wrench - 5 - for headlamp | | 1 | |
| 2 | 996 721 211 00 | scissors type jack | | 1 | I447 |
| 3 | 996 722 101 00 | foam part | | 1 | I447 |
| - | 999 571 074 30 | threaded bolt for assembly wheels | | 1 | I447 |
| 4 | 997 721 551 00 | towing lug | | 1 | |
| 5 | 000 722 722 05 | warning triangle | | 1 | |
| - | 997 722 709 00 | support warning triangle | | 2 | CARRERA 4/4S |
| - | 993 722 041 00 | first-aid kit | | 1 | |
| | | - - - E N D - - - | | | |

| | | | | | | | | |
|-------|------|----|----|--------------|--------------|--------|------|------------|
| Model | Year | MG | SG | Illustration | Restrictions | Update | 9:34 | 30.08.2006 |
| 997t | 07 | 0 | 01 | 1-05 | | 203 | | |

| Pos | Part Number | Name | Remarks | Qty | Model |
|-----|----------------|--------------------------------------|---------|-----|-------|
| | | stickers | | | |
| | | stickers | | 1 | I447 |
| | | emergency wheel | | | |
| - | 997 361 701 00 | sticker arabic | | 1 | I215 |
| - | 928 701 150 00 | sticker "MAX 80 KM/H" | | 1 | |
| | | stickers engine specifications | | | |
| 2 | 997 006 108 00 | sticker | | 1 | I068 |
| 4 | 997 006 544 00 | sticker engine oil - MOBIL 1 - | | 1 | |
| | | stickers type of fuel | | | |
| 5 | 996 006 117 00 | sticker 98 ROZ | | 1 | |
| 5 | 996 006 117 01 | sticker 98 ROZ | | 1 | I150 |
| 5 | 996 006 117 03 | sticker 93 RON/MON/2 | | 1 | (J) |
| | | stickers airbag | | | |
| 6 | 3B0 010 219 B | sticker child car seat | | 1 | |
| 6 | 8D0 010 141 Q | sticker child car seat | | 1 | (AUS) |
| 6 | 997 701 430 00 | sticker child car seat german | | 1 | |
| 6 | 997 701 430 01 | sticker child car seat english | | 1 | |
| 6 | 997 701 430 02 | sticker child car seat french | | 1 | |
| 6 | 997 701 430 03 | sticker child car seat italian | | 1 | |
| 6 | 997 701 430 04 | sticker child car seat swedish | | 1 | |

PORSCHE

PET

PORSCHE

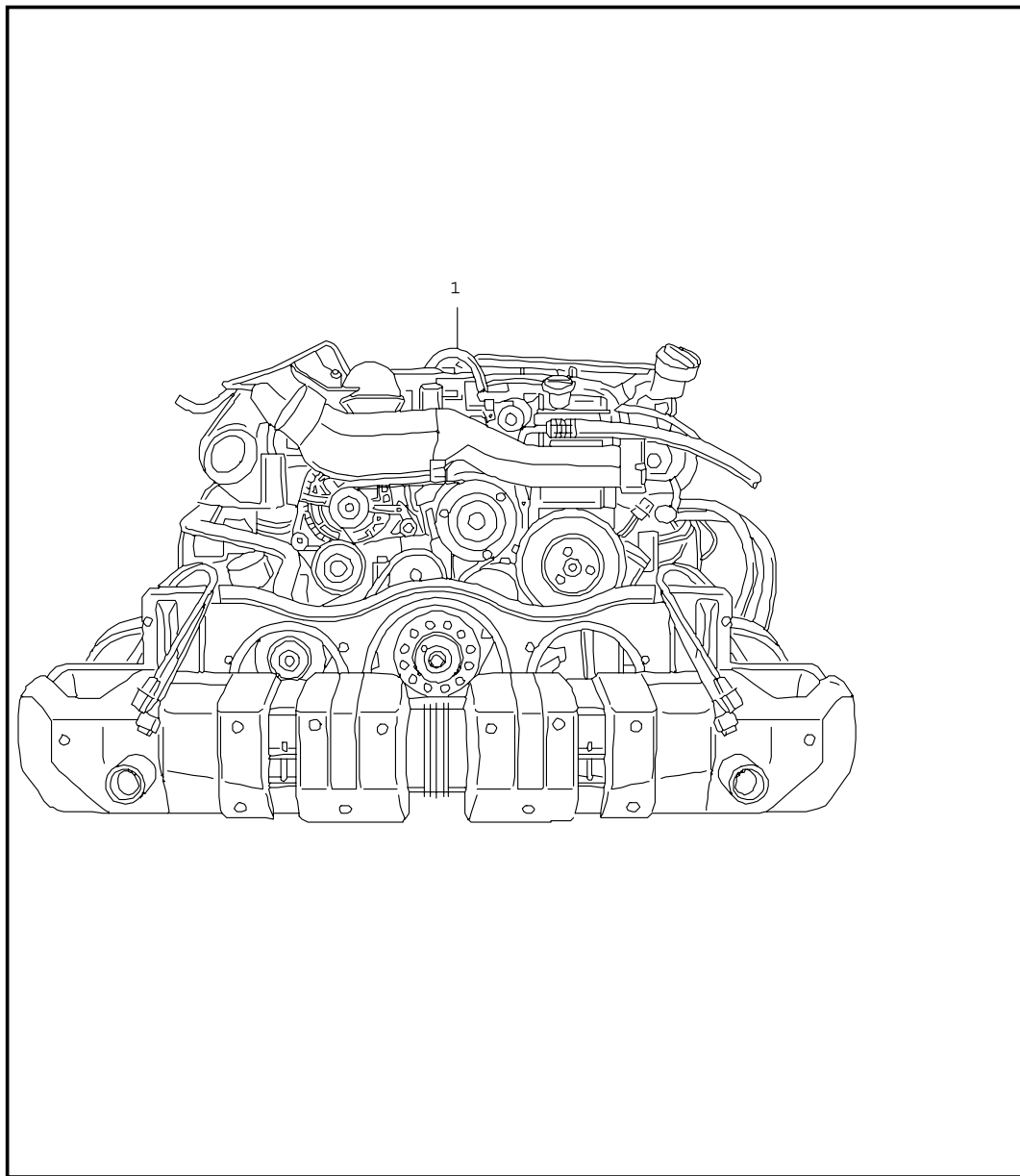
| | | | | | | | | |
|-------|------|----|----|--------------|--------------|--------|------|------------|
| Model | Year | MG | SG | Illustration | Restrictions | Update | 9:34 | 30.08.2006 |
| 997t | 07 | 0 | 01 | 1-05 | | 203 | | |

| Pos | Part Number | Name | Remarks | Qty | Model |
|-------------------|----------------|--------------------------------------|---------|-----|-------|
| 6 | 997 701 430 05 | sticker child car seat spanish | | 1 | |
| 6 | 997 701 430 06 | sticker child car seat arabic | | 1 | |
| 6 | 997 701 430 07 | sticker child car seat chinese | | 1 | |
| 9 | 996 701 141 01 | sticker air conditioner | | 1 | |
| 10 | 997 701 170 00 | sticker first-aid kit | | 1 | |
| - - - E N D - - - | | | | | |

| | | | | | | | | |
|-------|------|----|----|--------------|--------------|--------|------|------------|
| Model | Year | MG | SG | Illustration | Restrictions | Update | 9:34 | 30.08.2006 |
| 997t | 07 | 0 | 04 | 4-00 | | 203 | | |

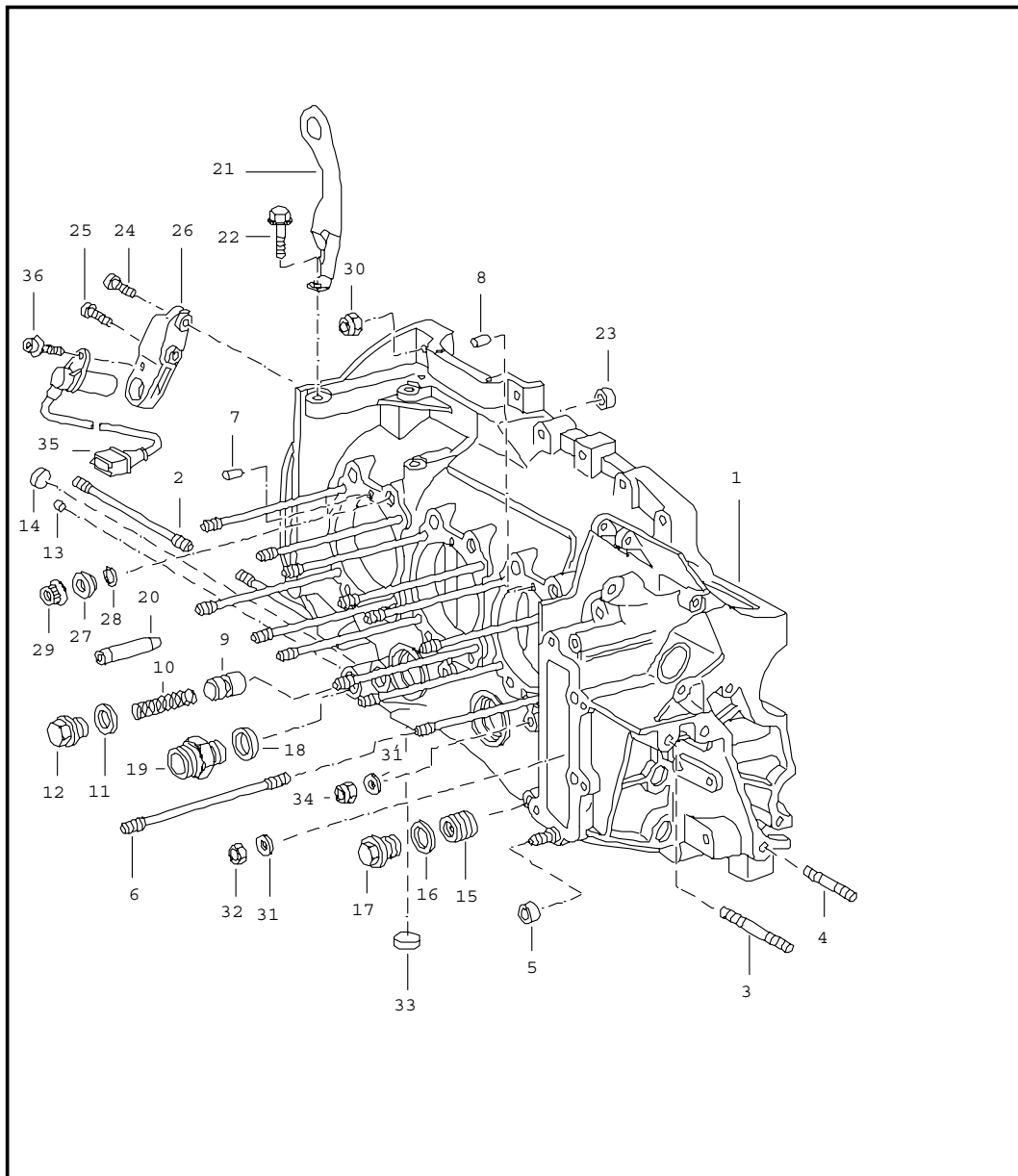
| Pos | Part Number | Name | Remarks | Qty | Model |
|-----|----------------|--|---------|-----|-------|
| - | 911 095 932 20 | paint touch-up applicator lacquers | | X | |
| | 719 | black | | | A 1 |
| | 80K | guards red | | | G 1 |
| | B9A | carrara white | | | B 4 |
| | 12G | speed yellow | | | X 4 |
| - | 911 095 933 20 | paint touch-up applicator set comprising: paint touch-up applicator primer paint touch-up applicator clear lacquer | | X | |
| | 92T | arctic silver metallic | | | X 1 |
| | M3W | carmon red metallic | | | E 4 |
| | M5W | lapis blue metallic | | | J 2 |
| | M6W | lagoon green metallic | | | G 4 |
| | C9Z | basalt black metallic | | | Z 4 |
| | M7X | atlas grey metallic | | | E 7 |
| | 37W | midnight blue metallic | | | E 9 |
| | 22E | forest green metallic | | | 53 |
| | 37U | cobalt blue metallic | | | 56 |
| | 22D | slate grey metallic | | | 59 |
| | M7Z | gt silver metallic | | | U 2 |
| | M6X | dark olive-metallic | | | 7 G |
| | M7W | meteor grey metallic | | | 9 Q |
| | | - - - E N D - - - | | | |

| | | | | | | | | | | | |
|-------|------|----|----|--------------|--------------|--------|------|------------|---------|-----|---------|
| Model | Year | MG | SG | Illustration | Restrictions | Update | 9:34 | 30.08.2006 | PORSCHE | PET | PORSCHE |
| 997t | 07 | 1 | 01 | 101-00 | | 203 | | | | | |



| Pos | Part Number | Name | Remarks | Qty | Model |
|-----|----------------|--|---------|-----|-----------------|
| | | replacement engine ready for installation | | | M97.70 |
| 1 | 997 100 970 00 | replacement engine | | 1 | M97.70 I 480 |
| 1 | 997 100 970 01 | replacement engine | | 1 | M97.70 I 249 |
| | | - - - E N D - - - | | | |

| | | | | | | | | | | | |
|-------|------|----|----|--------------|--------------|--------|------|------------|---------|-----|---------|
| Model | Year | MG | SG | Illustration | Restrictions | Update | 9:34 | 30.08.2006 | PORSCHE | PET | PORSCHE |
| 997t | 07 | 1 | 01 | 101-05 | | 203 | | | | | |

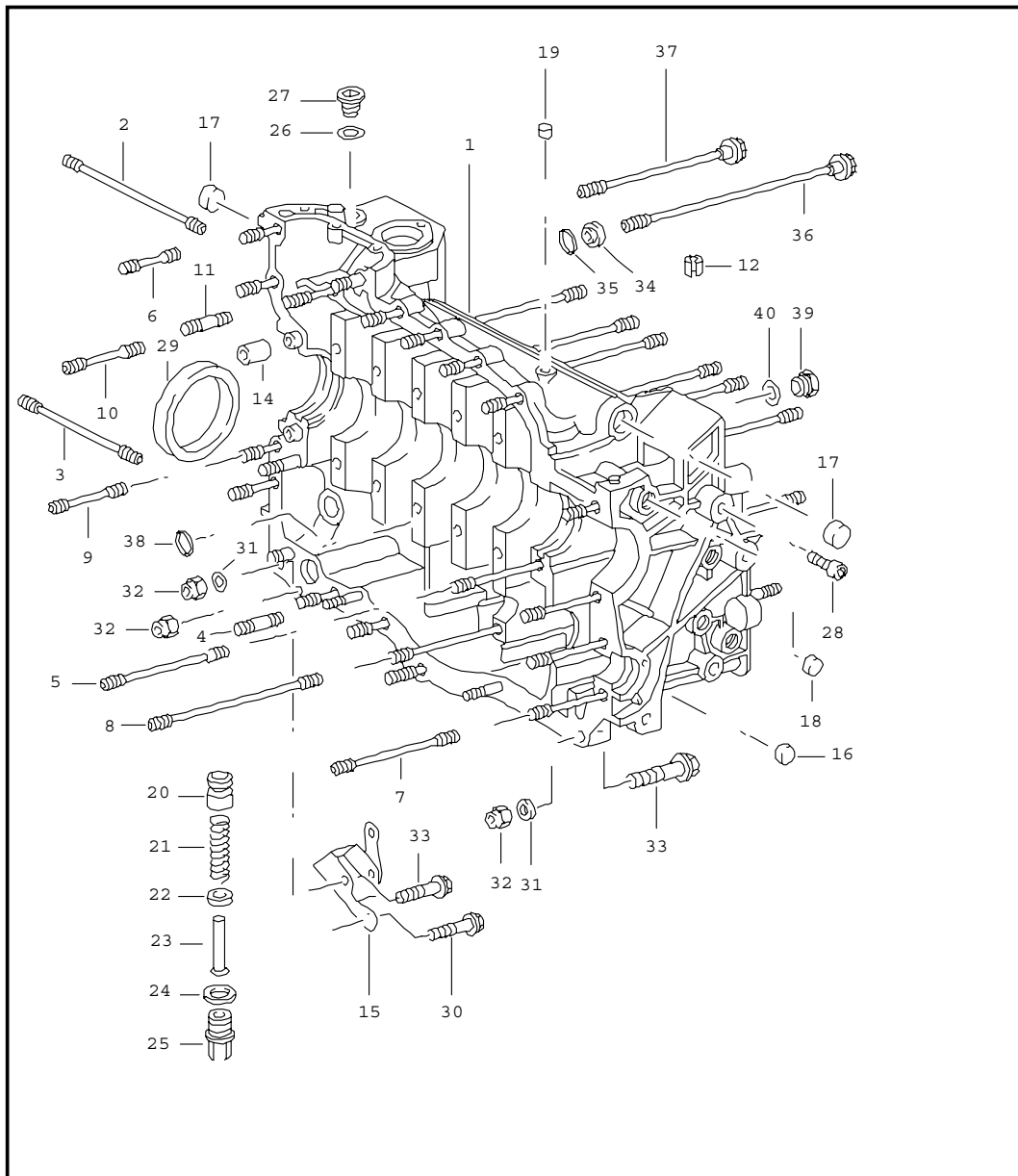


| Pos | Part Number | Name | Remarks | Qty | Model |
|-----|----------------|---------------------------------|---------|-----|-------|
| 1 | 996 101 901 71 | crankcase left | | 1 | |
| 2 | 999 062 099 02 | stud BM 10 X 105 | | 2 | |
| 3 | 999 062 170 02 | stud BM 10 X 70 | | 1 | |
| 4 | 999 062 056 02 | stud BM 10 X 60 | | 1 | |
| 5 | 901 101 145 00 | dowel sleeve | | 4 | |
| 6 | 996 101 172 70 | stud | | 24 | |
| 7 | 900 012 046 00 | straight pin A 8,0 X 14 | | 2 | |
| 8 | 900 012 057 00 | straight pin A 6,0 X 14 | | 2 | |
| 9 | 911 107 512 00 | piston | | 1 | |
| 10 | 901 107 531 00 | compression spring | | 1 | |
| 11 | 900 123 106 30 | sealing ring A 18 X 24 | | 1 | |
| 12 | 999 064 026 02 | screw plug M 18 X 24 | | 1 | |
| 13 | 911 101 186 00 | plug 7,5 X 8,0 | | 1 | |
| 13 | 911 101 186 01 | plug oversize 8,5 X 8,0 | | 1 | |
| 14 | 911 101 182 00 | plug 13,00 X 8,5 | | 1 | |
| 14 | 911 101 182 01 | plug oversize 14,00 X 8,5 | | 1 | |
| 15 | 999 504 127 00 | threaded insert 20 X 1,5 | | 1 | |
| 16 | 900 123 118 30 | sealing ring A 22 X 27 | | 1 | |
| 17 | 944 107 197 01 | screw plug | | 1 | |

| | | | | | | | | | | | |
|-------|------|----|----|--------------|--------------|--------|------|------------|---------|-----|---------|
| Model | Year | MG | SG | Illustration | Restrictions | Update | 9:34 | 30.08.2006 | PORSCHE | PET | PORSCHE |
| 997t | 07 | 1 | 01 | 101-05 | | 203 | | | | | |

| Pos | Part Number | Name | Remarks | Qty | Model | Pos | Part Number | Name | Remarks | Qty | Model |
|-------------------|----------------|--------------------------------|---------|-----|-------|-----|-------------|------|---------|-----|-------|
| 18 | 900 123 011 30 | sealing ring A 22 X 27 | | 1 | | | | | | | |
| 19 | 999 136 044 09 | sealing ring 18 | | 1 | | | | | | | |
| 20 | 996 101 018 51 | splash valve M 20 X 1,5 | | 6 | | | | | | | |
| 21 | 996 101 251 72 | holder | | 1 | | | | | | | |
| 22 | 900 074 040 02 | hexagon-head bolt M 8 X 50 | | 1 | | | | | | | |
| 23 | 901 101 195 00 | dowel sleeve | | 2 | | | | | | | |
| 24 | 900 075 341 02 | screw M 6 X 25 | | 1 | | | | | | | |
| 25 | 900 075 345 02 | hexagon-head bolt M 6 X 35 | | 1 | | | | | | | |
| 26 | 964 101 187 01 | support | | 1 | | | | | | | |
| 27 | 964 101 313 02 | washer | | 15 | | | | | | | |
| 28 | 999 701 006 40 | o-ring 8 X 2 | | 15 | | | | | | | |
| 29 | 959 101 172 00 | nut | | 11 | | | | | | | |
| 30 | 999 084 095 02 | lock nut M 8 | | 23 | | | | | | | |
| 31 | 900 025 008 09 | washer A 10,5 | | 2 | | | | | | | |
| 32 | 900 076 078 01 | hexagon nut M 10 X 1,25 | | 1 | | | | | | | |
| 33 | 911 101 184 00 | plug 19,00 X 13 | | 1 | | | | | | | |
| 33 | 911 101 184 01 | plug oversize 20,00 X 13 | | 1 | | | | | | | |
| 34 | 999 084 096 02 | lock nut M 10 | | 1 | | | | | | | |
| 35 | 996 606 105 00 | pulse sender | | 1 | I 480 | | | | | | |
| 36 | 986 606 112 03 | pulse sender | | 1 | I 249 | | | | | | |
| 37 | 999 218 005 02 | pan-head screw M 6 X 16 | | 1 | | | | | | | |
| - - - E N D - - - | | | | | | | | | | | |

| | | | | | | | | | | | |
|-------|------|----|----|--------------|--------------|--------|------|------------|---------|-----|---------|
| Model | Year | MG | SG | Illustration | Restrictions | Update | 9:34 | 30.08.2006 | PORSCHE | PET | PORSCHE |
| 997t | 07 | 1 | 01 | 101-10 | | 203 | | | | | |

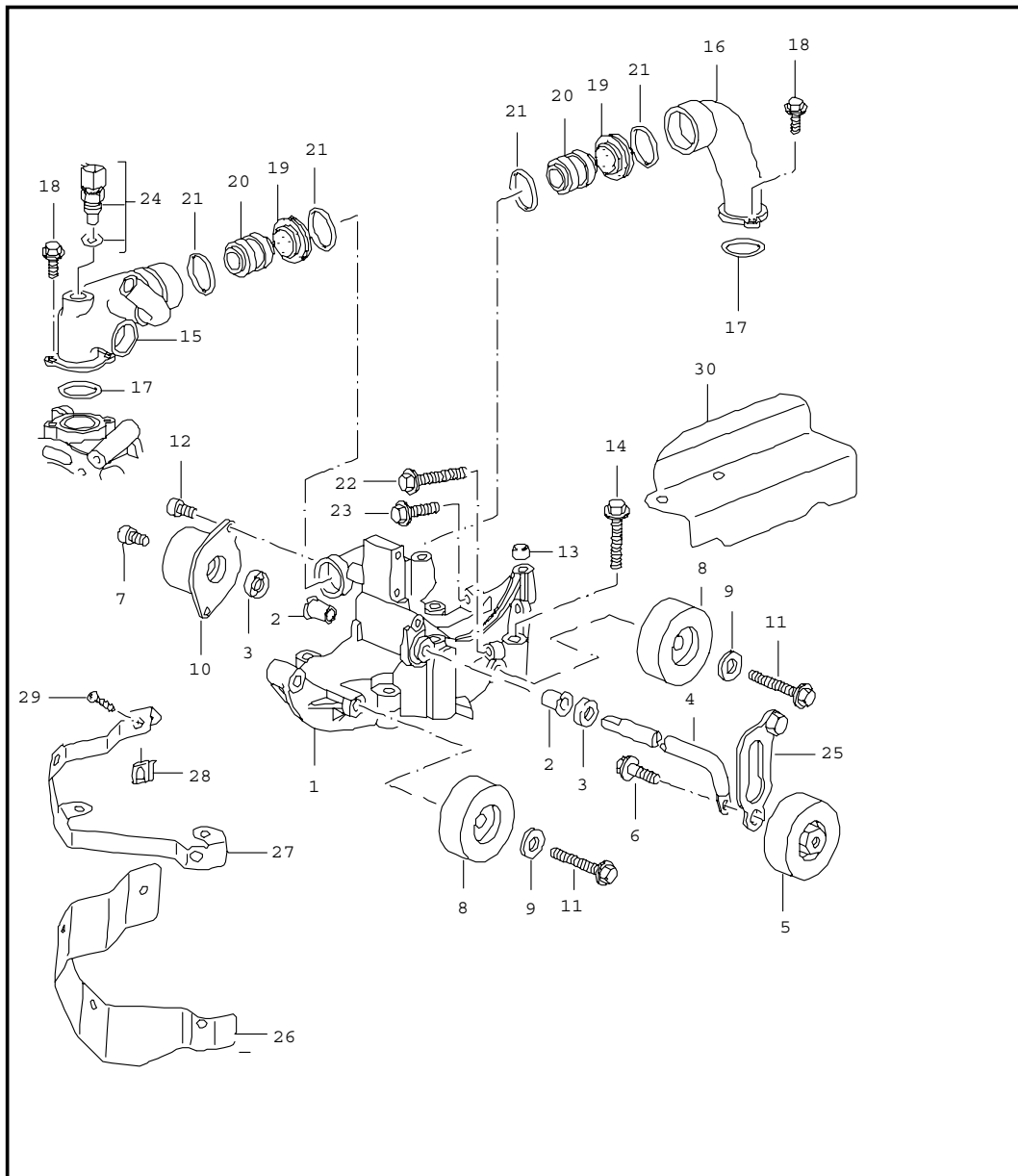


| Pos | Part Number | Name | Remarks | Qty | Model |
|-----|----------------|---------------------------|---------|-----|-------|
| 1 | 996 101 901 71 | crankcase right | | 1 | |
| 2 | 999 062 225 02 | stud BM 10 X 140 | | 1 | |
| 3 | 999 062 099 02 | stud BM 10 X 105 | | 1 | |
| 4 | 999 062 007 02 | stud BM 8 X 22 | | 3 | |
| 5 | 996 101 175 70 | stud | | 1 | |
| 6 | 999 062 115 02 | stud BM 8 X 32 | | 13 | |
| 7 | 999 062 156 02 | stud BM 8 X 78 | | 3 | |
| 8 | 999 062 276 02 | stud BM 10 X 110 | | 1 | |
| 9 | 999 062 075 02 | stud BM 8 X 48 | | 2 | |
| 10 | 999 062 138 02 | stud BM 8 X 52 | | 1 | |
| 11 | 999 062 009 02 | stud BM 8 X 28 | | 1 | |
| 12 | 900 095 025 01 | roll pin 8 X 16 | | 1 | |
| 14 | 901 101 195 00 | dowel sleeve | | 2 | |
| 15 | 996 101 206 70 | hook | | 1 | |
| 16 | 911 101 184 01 | plug oversize 20,00 X 13 | | 1 | |
| 17 | 911 101 185 01 | plug oversize 23,00 X 9 | | 2 | |
| 18 | 911 101 182 01 | plug oversize 14,00 X 8,5 | | 1 | |
| 19 | 911 101 186 00 | plug 7,50 X 8 | | 1 | |

| | | | | | | | | | | | |
|-------|------|----|----|--------------|--------------|--------|------|------------|---------|-----|---------|
| Model | Year | MG | SG | Illustration | Restrictions | Update | 9:34 | 30.08.2006 | PORSCHE | PET | PORSCHE |
| 997t | 07 | 1 | 01 | 101-10 | | 203 | | | | | |

| Pos | Part Number | Name | Remarks | Qty | Model | Pos | Part Number | Name | Remarks | Qty | Model |
|-------------------|----------------|--------------------------------|---------|-----|-------|-----|-------------|------|---------|-----|-------|
| 19 | 911 101 186 01 | plug oversize 8,50 X 8 | | 1 | | | | | | | |
| 20 | 911 107 512 00 | piston | | 1 | | | | | | | |
| 21 | 901 107 531 00 | compression spring | | 1 | | | | | | | |
| 22 | 964 107 532 00 | spacer ring | | 1 | | | | | | | |
| 23 | 930 107 533 00 | guide sleeve | | 1 | | | | | | | |
| 24 | 900 123 106 30 | sealing ring A 18 X 24 | | 1 | | | | | | | |
| 25 | 999 064 026 02 | screw plug | | 1 | | | | | | | |
| 26 | 900 123 140 30 | sealing ring A 18 X 22 | | 1 | | | | | | | |
| 27 | 900 219 009 30 | screw plug M 18 X 1,5 | | 1 | | | | | | | |
| 28 | 999 074 017 02 | hexagon-head bolt M 10 X 18 | | 1 | | | | | | | |
| 29 | 999 113 426 41 | shaft seal 90 X 110 X 12 | | 1 | | | | | | | |
| 30 | 900 074 139 02 | hexagon-head bolt M 8 X 55 | | 1 | | | | | | | |
| 31 | 900 031 001 02 | washer 8,4 | | 26 | | | | | | | |
| 32 | 999 084 095 02 | lock nut M 8 | | 23 | | | | | | | |
| 33 | 900 074 134 02 | hexagon-head bolt M 8 X 45 | | 2 | | | | | | | |
| 34 | 964 101 313 02 | washer | | 13 | | | | | | | |
| 35 | 999 701 006 40 | o-ring 8 X 2 | | 13 | | | | | | | |
| 36 | 959 101 173 01 | screw | | 11 | | | | | | | |
| 37 | 964 101 174 00 | screw | | 2 | | | | | | | |
| 38 | 999 701 596 40 | o-ring 8,3 X 2,4 | | 4 | | | | | | | |
| 39 | 900 175 022 02 | banjo bolt | | 1 | | | | | | | |
| 40 | 900 123 152 30 | sealing ring | | 2 | | | | | | | |
| - - - E N D - - - | | | | | | | | | | | |

| | | | | | | | | | | | |
|-------|------|----|----|--------------|--------------|--------|------|------------|---------|-----|---------|
| Model | Year | MG | SG | Illustration | Restrictions | Update | 9:35 | 30.08.2006 | PORSCHE | PET | PORSCHE |
| 997t | 07 | 1 | 01 | 101-15 | | 203 | | | | | |

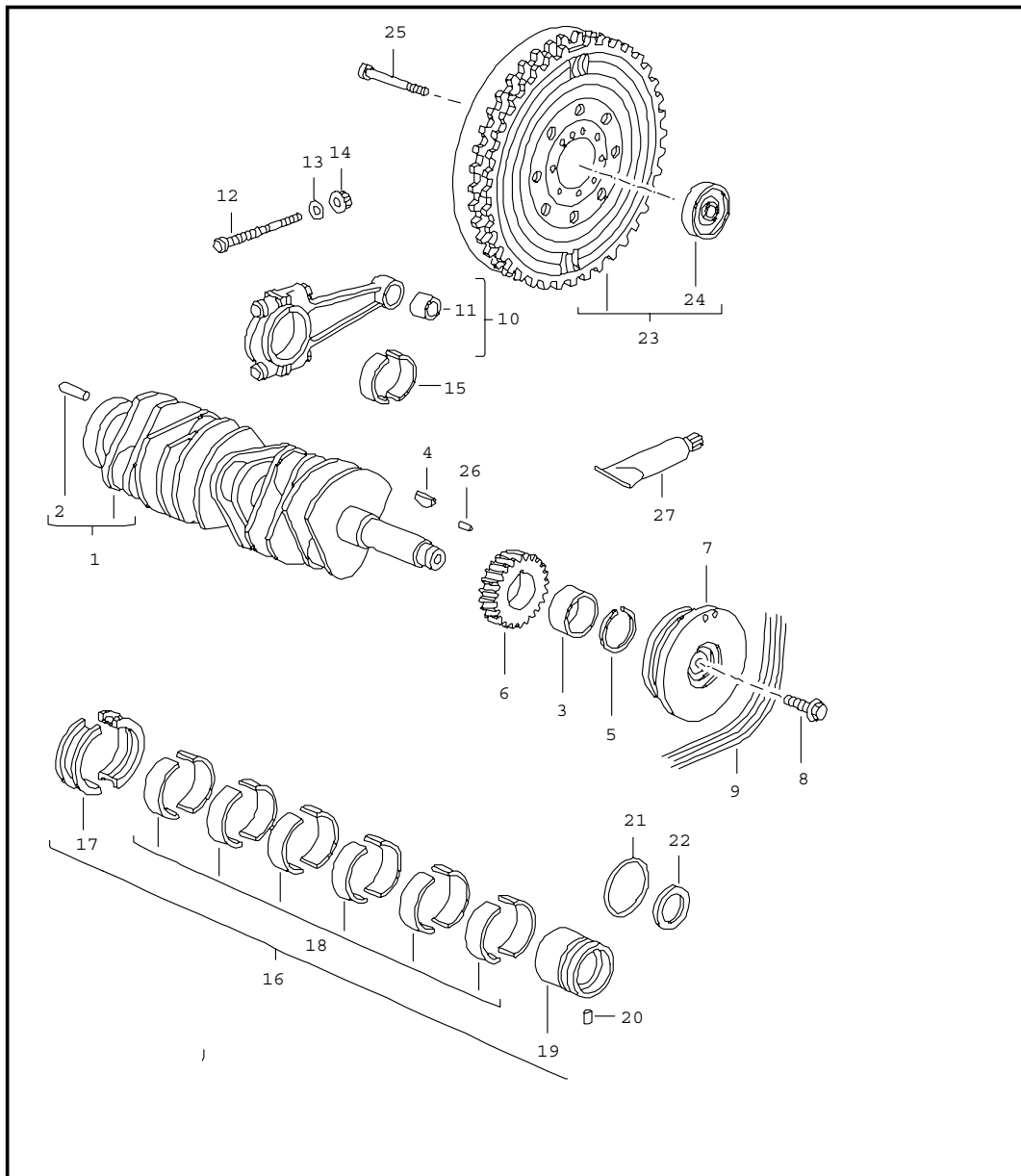


| Pos | Part Number | Name | Remarks | Qty | Model |
|-----|----------------|---------------------------------|---------|-----|-------|
| | | belt tensioner belt drive | | | |
| 1 | 996 115 112 70 | bracket | | 1 | |
| 2 | 996 102 167 50 | bearing sleeve | | 2 | |
| 3 | 996 102 365 50 | dust boot | | 2 | |
| 4 | 996 115 913 70 | lever | | 1 | |
| 5 | 996 115 016 72 | tensioning roller | | 1 | |
| 6 | 999 072 041 09 | hexagon-head bolt M 10 X 30 | | 1 | |
| 7 | 999 218 005 02 | pan-head screw M 6 X 16 | | 1 | |
| 8 | 996 115 015 74 | deflection roller | | 2 | |
| 9 | 996 102 125 53 | cover disc | | 2 | |
| 10 | 996 115 221 71 | tensioner | | 1 | |
| 11 | 900 378 200 09 | hexagon-head bolt M 10 X 55 | | 2 | |
| 12 | 900 067 131 02 | screw M 8 X 16 | | 2 | |
| 13 | 999 095 063 02 | dowel sleeve 11 M 6 X 10 | | 2 | |
| 14 | 900 378 098 09 | hexagon-head bolt AM 10 X 60 | | 4 | |
| 15 | 996 106 039 73 | connection piece | | 1 | |
| 16 | 996 106 440 72 | connection piece | | 1 | |
| 17 | 999 707 410 40 | o-ring 39,20 X 3,00 | | 2 | |
| 18 | 900 378 030 09 | hexagon-head bolt M 6 X 20 | | 4 | |
| 19 | 996 106 214 70 | protective ring | | 2 | |
| 20 | 996 106 238 71 | socket | | 2 | |
| 21 | 999 707 411 40 | o-ring 28,00 X 4,50 | | 4 | |
| 22 | 900 378 150 09 | hexagon-head bolt M 8 X 55 | | 1 | |

| | | | | | | | | | | | |
|-------|------|----|----|--------------|--------------|--------|------|------------|---------|-----|---------|
| Model | Year | MG | SG | Illustration | Restrictions | Update | 9:35 | 30.08.2006 | PORSCHE | PET | PORSCHE |
| 997t | 07 | 1 | 01 | 101-15 | | 203 | | | | | |

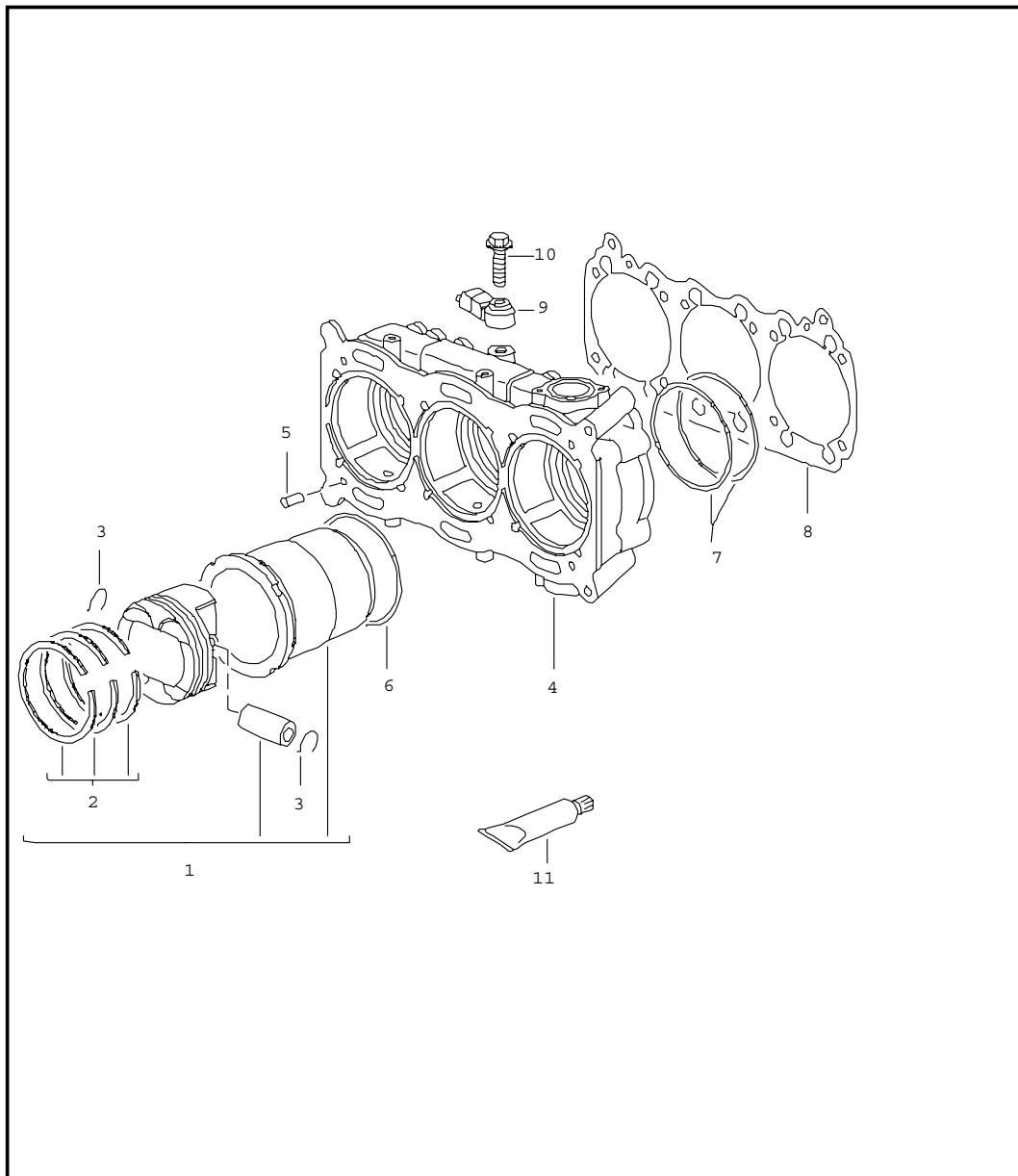
| Pos | Part Number | Name | Remarks | Qty | Model | Pos | Part Number | Name | Remarks | Qty | Model |
|-----|----------------|-------------------------------|---------|-----|-------|-----|-------------|------|---------|-----|-------|
| 23 | 900 378 022 09 | hexagon-head bolt M 8 X 25 | | 2 | | | | | | | |
| 24 | 996 606 410 00 | temperature sensor | | 1 | | | | | | | |
| 25 | 996 115 213 71 | driver | | 1 | | | | | | | |
| 26 | 996 115 521 71 | protective plate | /L | 1 | | | | | | | |
| 27 | 996 115 621 72 | support | /L | 1 | | | | | | | |
| 28 | 999 507 462 02 | speed nut | | 4 | | | | | | | |
| 29 | 999 919 164 09 | oval-head screw | | 4 | | | | | | | |
| 30 | 996 115 661 72 | protective plate | /R | 1 | | | | | | | |
| | | - - - E N D - - - | | | | | | | | | |

| | | | | | | | | | | | |
|-------|------|----|----|--------------|--------------|--------|------|------------|---------|-----|---------|
| Model | Year | MG | SG | Illustration | Restrictions | Update | 9:35 | 30.08.2006 | PORSCHE | PET | PORSCHE |
| 997t | 07 | 1 | 02 | 102-00 | | 203 | | | | | |



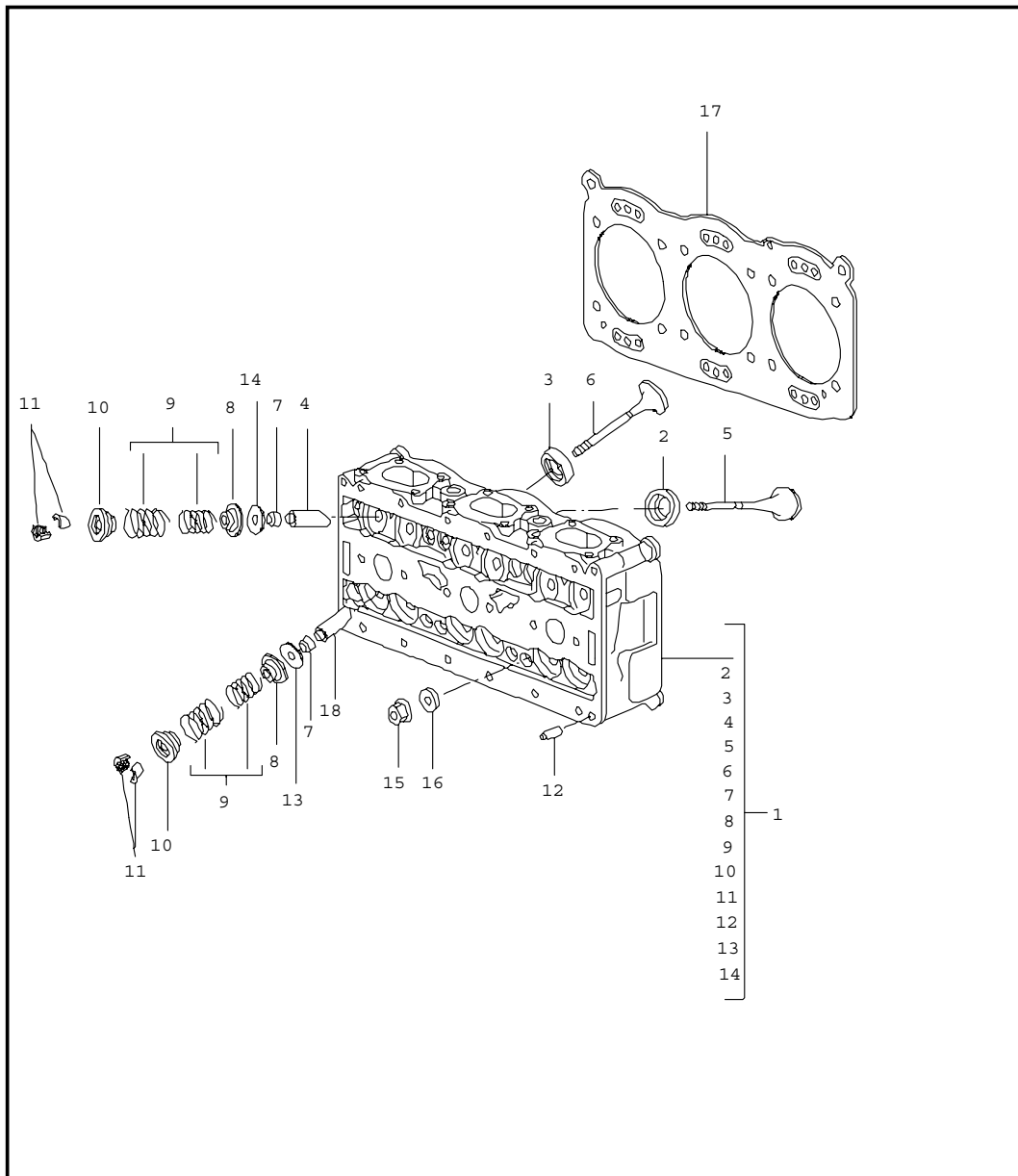
| Pos | Part Number | Name | Remarks | Qty | Model |
|-----|----------------|---|-------------------|-----|-------|
| | | crankshaft | | | |
| 1 | 997 102 021 75 | crankshaft | | 1 | |
| 2 | 900 095 031 00 | tensioning sleeve 6 X 16 | | 1 | |
| 3 | 959 102 321 00 | intermediate ring | | 1 | |
| 4 | 901 102 147 00 | woodruff key | | 1 | |
| 5 | 901 102 148 00 | circlip number 0 | | 1 | |
| 5 | 901 102 148 01 | circlip number 1 | | 1 | |
| 5 | 901 102 148 02 | circlip number 2 | | 1 | |
| 5 | 901 102 148 03 | circlip number 3 | | 1 | |
| 6 | --- | see group 1/03/15 | | 1 | |
| 7 | 996 102 017 72 | pulley | | 1 | |
| 8 | 999 217 128 01 | hexagon-head bolt M 14 X 1,5 X 33 | | 1 | |
| 9 | 999 192 379 50 | poly-rib belt | | 1 | M 573 |
| 10 | 997 103 920 70 | connecting rod connecting rods comprising: connecting rods | | 1 | |
| | | | | 6 | |
| | | | - - - E N D - - - | | |

| | | | | | | | | | | | |
|-------|------|----|----|--------------|--------------|--------|------|------------|---------|-----|---------|
| Model | Year | MG | SG | Illustration | Restrictions | Update | 9:35 | 30.08.2006 | PORSCHE | PET | PORSCHE |
| 997t | 07 | 1 | 02 | 102-05 | | 203 | | | | | |



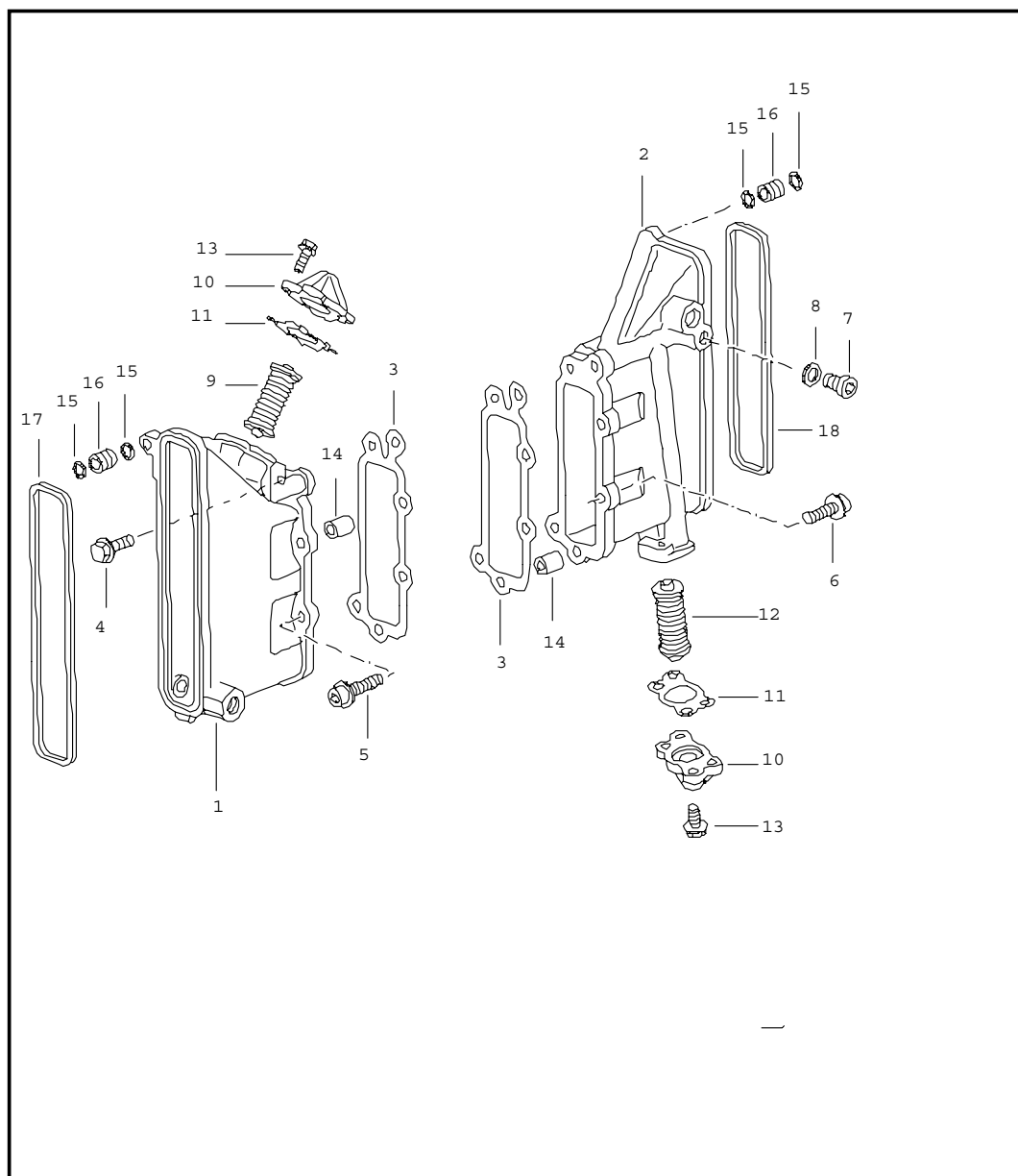
| Pos | Part Number | Name | Remarks | Qty | Model |
|-----|----------------|--|---------|-----|-------|
| | | cylinder with pistons | | | |
| 1 | 997 103 915 71 | cylinder with pistons number plate /- 564 - 570 G | | 6 | |
| 1 | 997 103 916 71 | cylinder with pistons number plate /+ 570 - 576 G | | 6 | |
| 2 | 997 103 925 70 | set of piston rings | | 6 | |
| 3 | 999 178 016 00 | snap ring | | 12 | |
| 4 | 996 101 311 75 | housing | | 2 | |
| 5 | 900 012 046 00 | straight pin A 8,0 X 14 | | 8 | |
| 6 | 999 707 393 40 | o-ring 104,00 X 2,00 | | 6 | |
| 7 | 999 707 394 40 | o-ring 110,00 X 2,50 | | 12 | |
| 8 | 996 101 193 72 | cylinder base gasket | | 2 | |
| 9 | 996 606 125 00 | knock sensor | | 2 | |
| 10 | 900 378 033 09 | hexagon-head bolt AM 8 X 30 | | 2 | |
| 11 | 000 043 205 10 | grease 80 GR. | | 1 | |
| | | - - - E N D - - - | | | |

| | | | | | | | | | | | |
|-------|------|----|----|--------------|--------------|--------|------|------------|---------|-----|---------|
| Model | Year | MG | SG | Illustration | Restrictions | Update | 9:35 | 30.08.2006 | PORSCHE | PET | PORSCHE |
| 997t | 07 | 1 | 03 | 103-00 | | 203 | | | | | |



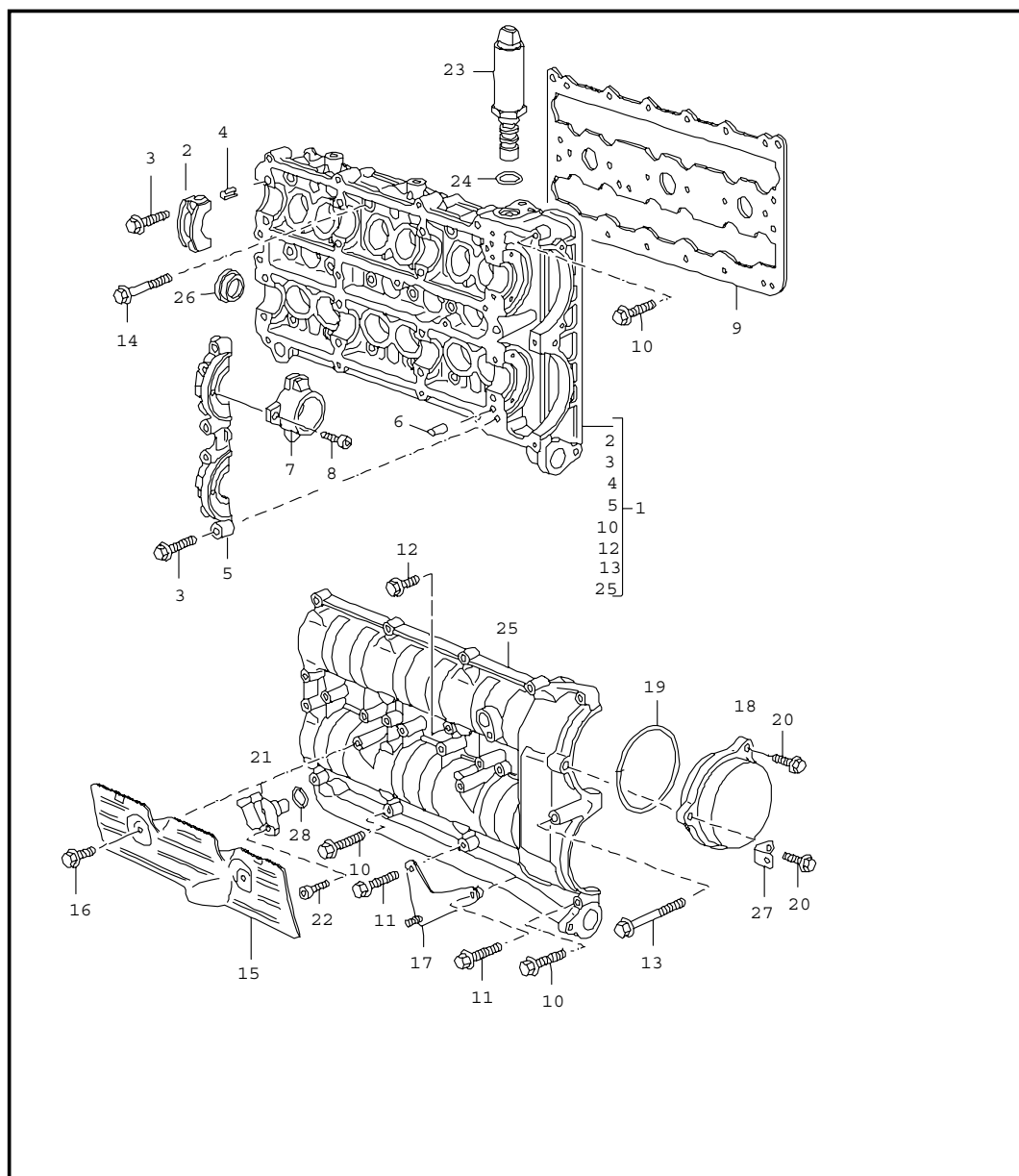
| Pos | Part Number | Name | Remarks | Qty | Model |
|-----|----------------|-----------------------|---------|-----|-------|
| | | cylinder head | | | |
| 1 | 997 104 001 72 | cylinder head | | 2 | |
| 5 | 996 105 111 72 | intake valve | | 12 | |
| 6 | 996 105 113 72 | exhaust valve | | 12 | |
| 7 | 996 105 115 52 | valve stem seal | | 24 | |
| 8 | 996 105 117 73 | concave washer | | 24 | |
| 9 | 996 105 093 70 | set of valve springs | | 24 | |
| 10 | 996 105 121 73 | concave washer | | 24 | |
| 11 | 996 105 123 52 | valve collet | | 48 | |
| 12 | 900 012 046 00 | straight pin | | 4 | |
| 13 | 996 105 461 90 | washer | | 12 | |
| 14 | 996 105 491 70 | spacer ring | | 12 | |
| 15 | 996 104 382 70 | cylinder head nut | | 24 | |
| 17 | 997 104 170 71 | cylinder head gasket | | 2 | |
| 18 | 996 104 115 76 | valve guide intake | | 12 | |
| | | - - - E N D - - - | | | |

| | | | | | | | | | | | |
|-------|------|----|----|--------------|--------------|--------|------|------------|---------|-----|---------|
| Model | Year | MG | SG | Illustration | Restrictions | Update | 9:36 | 30.08.2006 | PORSCHE | PET | PORSCHE |
| 997t | 07 | 1 | 03 | 103-05 | | 203 | | | | | |



| Pos | Part Number | Name | Remarks | Qty | Model |
|-----|----------------|--------------------------------|---------|-----|-------|
| | | chain case chain adjuster | | | |
| 1 | 996 105 143 79 | chain case | /L | 1 | |
| 2 | 996 105 144 71 | chain case | /R | 1 | |
| 3 | 996 105 192 71 | gasket | | 2 | |
| 4 | 900 378 022 09 | hexagon-head bolt AM 8 X 25 | | 1 | |
| 5 | 900 067 276 02 | pan-head screw M 8 X 35 | | 4 | |
| 6 | 900 067 247 02 | screw M 8 X 30 | | 5 | |
| 7 | 959 105 051 01 | chain adjuster | /L | 1 | |
| 8 | 993 105 022 01 | cover | /R | 1 | |
| 9 | 996 105 023 70 | cover | /L | 1 | |
| 10 | 964 105 177 03 | gasket | | 2 | |
| 11 | 959 105 052 01 | chain adjuster | /R | 1 | |
| 12 | 900 378 030 09 | hexagon-head bolt | | 4 | |
| 13 | 901 101 145 00 | dowel sleeve | | 4 | |
| 14 | 999 707 229 40 | o-ring 9,25 X 1,78 | | 4 | |
| 15 | 996 105 229 90 | intermediate piece | | 2 | |
| 16 | 996 105 513 72 | gasket | /L | 1 | |
| 17 | 996 105 514 72 | gasket | /R | 1 | |
| | | - - - E N D - - - | | | |

| | | | | | | | | | | | |
|-------|------|----|----|--------------|--------------|--------|------|------------|---------|-----|---------|
| Model | Year | MG | SG | Illustration | Restrictions | Update | 9:36 | 30.08.2006 | PORSCHE | PET | PORSCHE |
| 997t | 07 | 1 | 03 | 103-10 | | 203 | | | | | |



| Pos | Part Number | Name | Remarks | Qty | Model |
|------|----------------|--------------------------------|---------|-----|-------|
| | | camshaft housing | | | |
| 1 | 997 105 929 70 | camshaft housing | /L | 1 | |
| (1) | 997 105 930 70 | camshaft housing | /L | 1 | |
| 2 | --- | housing | | 12 | |
| 3 | 900 378 177 09 | hexagon-head bolt AM 6 X 30 | | 32 | |
| 4 | 944 104 361 00 | dowel sleeve | | 24 | |
| 5 | --- | housing | | 2 | |
| 6 | 900 012 071 00 | straight pin A 4,0 X 8 | | 4 | |
| 7 | 996 105 233 72 | housing | /L | 1 | |
| (7) | 996 105 234 72 | housing | /R | 1 | |
| 8 | 900 067 051 02 | pan-head screw M 5 X 10 | | 6 | |
| 9 | 996 105 613 74 | gasket | /L | 1 | |
| (9) | 996 105 614 74 | gasket | /R | 1 | |
| 10 | 900 378 174 09 | hexagon-head bolt AM 6 X 35 | | 22 | |
| 11 | 900 378 029 09 | hexagon-head bolt M 6 X 40 | | 6 | |
| 12 | 900 378 013 09 | hexagon-head bolt AM 6 X 25 | | 16 | |
| 13 | 900 378 151 09 | hexagon-head bolt M 6 X 70 | | 2 | |
| 14 | 900 378 224 09 | hexagon-head bolt AM 8 X 50 | | 36 | |
| 15 | 996 104 426 73 | cover plate | /R | 1 | |
| (15) | 996 104 427 74 | cover plate | /L | 1 | |
| 16 | 900 378 036 09 | hexagon-head bolt M 6 X 12 | | 4 | |
| 17 | 996 107 319 90 | support | /R | 1 | |
| 18 | 996 105 315 74 | cover | | 2 | |
| 19 | 999 707 482 40 | o-ring 90,00 X 2,50 | | 2 | |

| | | | | | | | | | | | |
|-------|------|----|----|--------------|--------------|--------|------|------------|---------|-----|---------|
| Model | Year | MG | SG | Illustration | Restrictions | Update | 9:36 | 30.08.2006 | PORSCHE | PET | PORSCHE |
| 997t | 07 | 1 | 03 | 103-10 | | 203 | | | | | |

| Pos | Part Number | Name | Remarks | Qty | Model | Pos | Part Number | Name | Remarks | Qty | Model |
|-----|------------------|---|---------|-----|-------|-----|-------------|------|---------|-----|-------|
| 20 | 900 378 030 09 | hexagon-head bolt M 6 X 20 | | 6 | | | | | | | |
| 21 | 996 606 106 03 | hall sender | 03- | 2 | | | | | | | |
| 22 | 900 067 117 09 | pan-head screw M 6 X 16 | | 2 | | | | | | | |
| 23 | N 997 105 303 72 | actuator camshaft | | 2 | | | | | | | |
| 24 | 999 707 504 40 | o-ring 24 X 2,50 | | 2 | | | | | | | |
| 25 | 996 105 301 03 | actuator valve | | 2 | | | | | | | |
| 26 | 999 707 409 40 | o-ring 26 X 3 | | 2 | | | | | | | |
| 27 | 996 105 310 72 | support | | 2 | | | | | | | |
| 28 | - | cover matching with: camshaft housing | /L | 1 | | | | | | | |
| 29 | 996 105 329 70 | cover | | 4 | | | | | | | |
| 30 | 996 606 167 02 | support | | 2 | | | | | | | |
| 31 | 999 507 753 03 | cable clamp 5,7 - 7,0 | | 2 | | | | | | | |
| 32 | 999 651 386 02 | cable clamp 5,5 - 9,0 | | 1 | | | | | | | |
| 33 | 999 707 404 40 | o-ring 17,05 X 1,78 | | 2 | | | | | | | |
| -- | 996 607 117 00 | support for connector | | 1 | | | | | | | |
| | | - - - E N D - - - | | | | | | | | | |

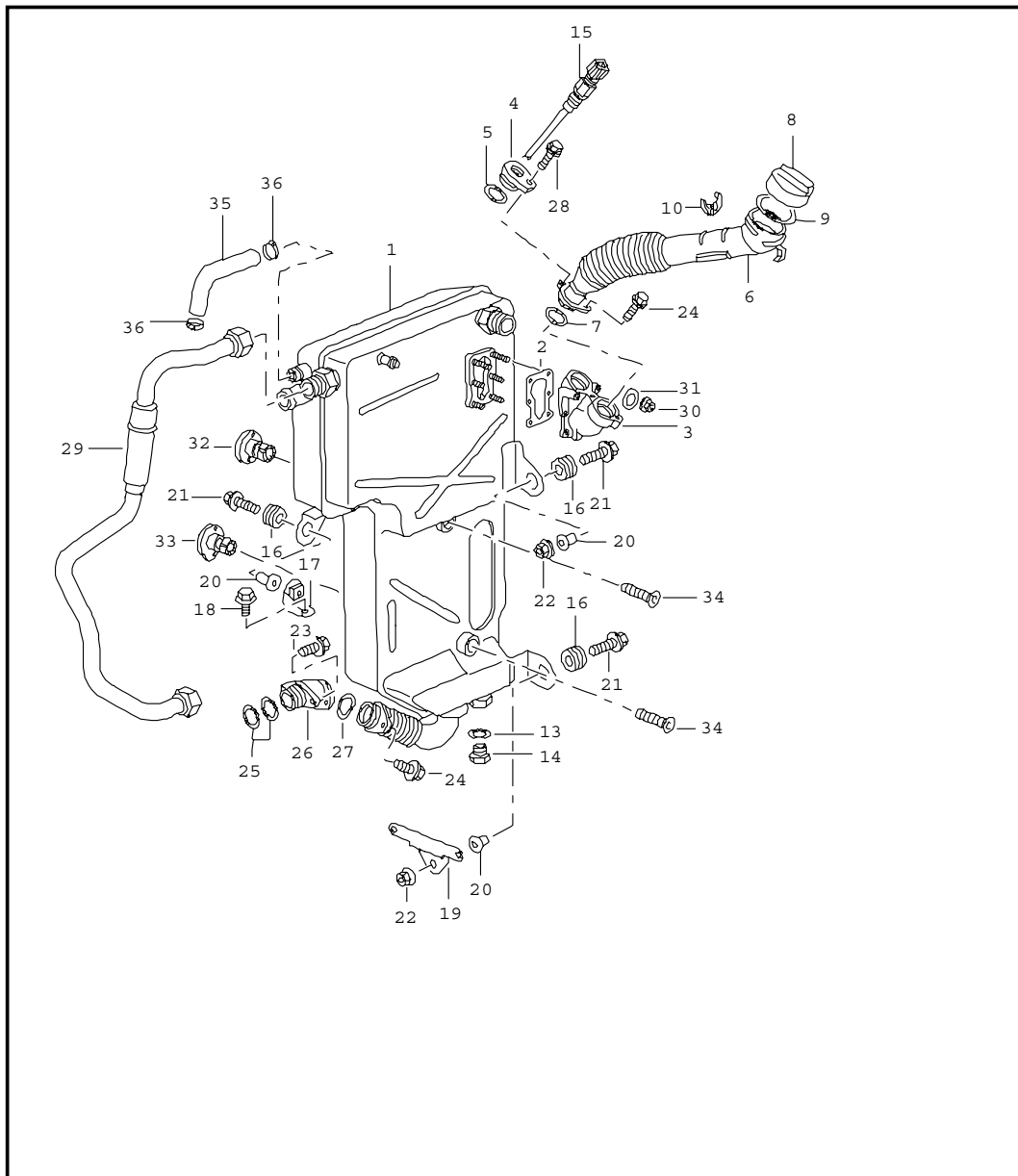
| | | | | | | | | |
|-------|------|----|----|--------------|--------------|--------|------|------------|
| Model | Year | MG | SG | Illustration | Restrictions | Update | 9:36 | 30.08.2006 |
| 997t | 07 | 1 | 03 | 103-15 | | 203 | | |

| Pos | Part Number | Name | Remarks | Qty | Model |
|-----|------------------|---|---------|-----|-------|
| | | valve control | | | |
| 1 | 997 105 020 73 | camshaft intake cyl. 4 - 6 | | 1 | |
| 2 | N 997 105 218 73 | camshaft exhaust cyl. 4 - 6 | | 1 | |
| (2) | N 997 105 217 74 | camshaft exhaust cyl. 1 - 3 | | 1 | |
| 3 | 997 105 019 73 | camshaft intake cyl. 1 - 3 | | 1 | |
| 4 | 997 105 051 70 | actuator | | 2 | |
| 5 | 900 378 087 09 | hexagon-head bolt M 12 X 1,5 X 120 | | 2 | |
| 6 | 996 105 178 91 | sprocket | | 2 | |
| 7 | 996 105 647 80 | washer | | 2 | |
| 8 | 959 105 161 00 | drive plate | | 1 | |
| 9 | 959 105 161 01 | drive plate | | 1 | |
| 10 | 996 105 313 90 | hexagon socket head bolt | | 2 | |
| 11 | 996 105 911 70 | intermediate shaft with timing gear size 0 | | 1 | |
| 11 | 996 105 911 71 | intermediate shaft with timing gear size 1 | | 1 | |
| 12 | 900 041 026 01 | circlip 13 X 1 | | 1 | |
| 13 | 993 105 275 52 | intermediate piece | | 1 | |
| 14 | 900 041 025 01 | circlip 36 X 1,75 | | 2 | |
| 15 | 996 101 137 80 | bearing | | 2 | |
| 16 | 996 101 435 70 | bearing shell | | 2 | |
| 17 | 901 105 125 04 | sprocket | | 2 | |
| 18 | 996 105 165 71 | tensioner blade | | 2 | |
| 19 | 964 105 171 02 | bolt | | 4 | |

| | | | | | | | | |
|-------|------|----|----|--------------|--------------|--------|------|------------|
| Model | Year | MG | SG | Illustration | Restrictions | Update | 9:36 | 30.08.2006 |
| 997t | 07 | 1 | 03 | 103-15 | | 203 | | |

| Pos | Part Number | Name | Remarks | Qty | Model |
|-------------------|----------------|-----------------------------------|---------|-----|-------|
| 20 | 900 123 152 30 | sealing ring | | 6 | |
| 21 | 996 105 167 70 | guide piece | /L | 1 | |
| (21) | 996 105 166 70 | guide piece | /R | 1 | |
| 22 | 959 105 175 01 | pin | | 2 | |
| 23 | 996 105 552 71 | timing chain | | 2 | |
| 24 | 996 105 037 74 | guide piece | /L | 1 | |
| 25 | 996 105 038 74 | guide piece | /R | 1 | |
| 26 | 900 378 157 09 | hexagon-head bolt AM 6 X 25 | | 6 | |
| 27 | 900 378 030 09 | hexagon-head bolt M 6 X 20 | | 8 | |
| 28 | 900 118 010 00 | woodruff key 6,0 X 7,5 | | 2 | |
| 29 | 996 105 255 20 | hydraulic valve tappet intake | | 12 | |
| 30 | 996 105 041 72 | hydraulic valve tappet exhaust | | 12 | |
| -- | 996 105 280 74 | ring | | 6 | |
| - - - E N D - - - | | | | | |

| | | | | | | | | | | | |
|-------|------|----|----|--------------|--------------|--------|------|------------|---------|-----|---------|
| Model | Year | MG | SG | Illustration | Restrictions | Update | 9:36 | 30.08.2006 | PORSCHE | PET | PORSCHE |
| 997t | 07 | 1 | 04 | 104-05 | | 203 | | | | | |

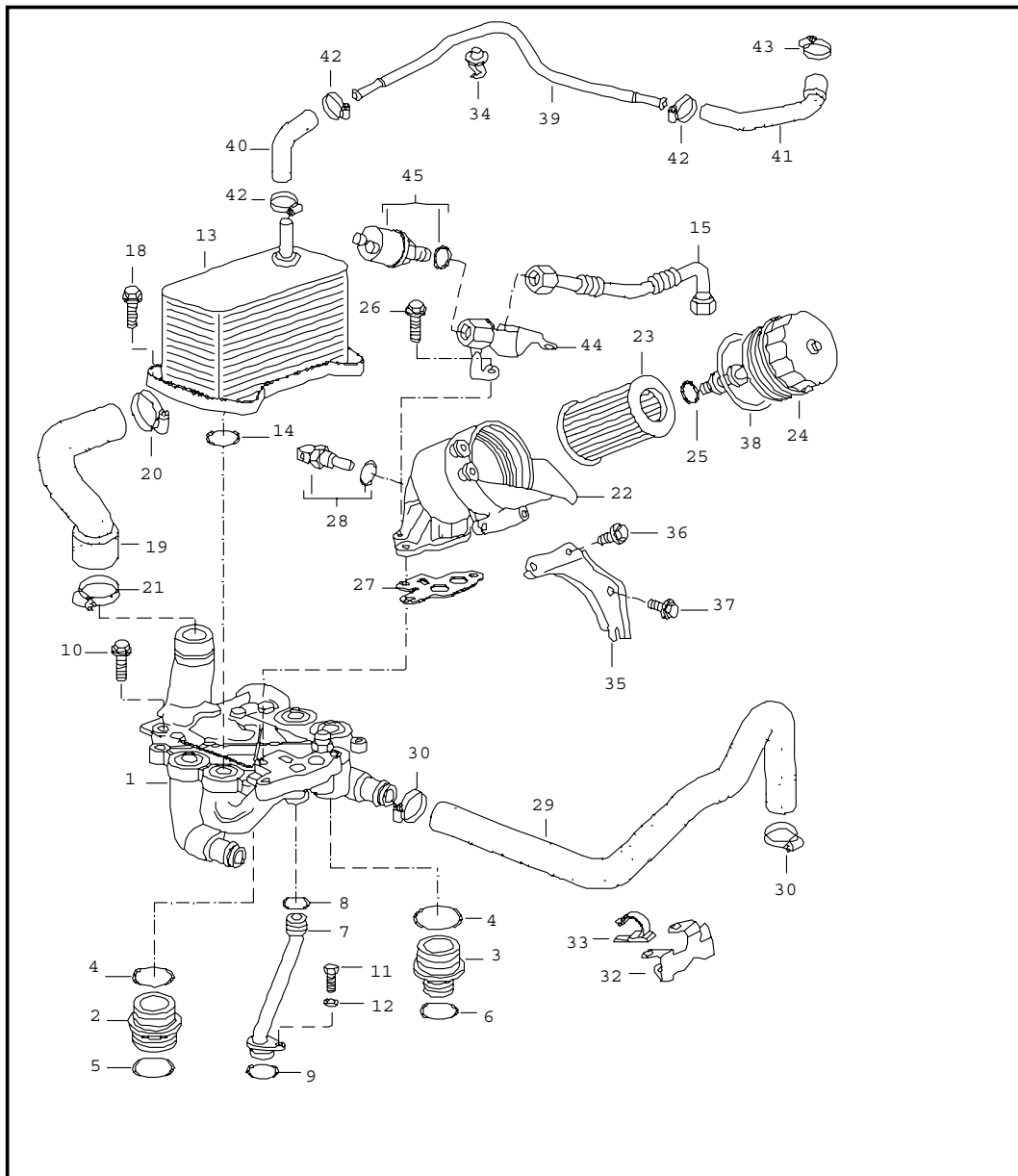


| Pos | Part Number | Name | Remarks | Qty | Model |
|-----|----------------|---|---------|-----|-------|
| | | engine lubrication oil tank | | | |
| 1 | 997 207 070 72 | oil tank | | 1 | |
| 2 | 993 207 226 00 | gasket | | 1 | |
| 3 | 996 207 150 72 | intermediate piece | | 1 | |
| 4 | 996 207 212 70 | flange | | 1 | |
| 5 | 999 707 343 40 | o-ring 25,07 X 2,62 | | 1 | |
| 6 | 996 207 016 70 | filler tube | | 1 | |
| (6) | 996 107 150 59 | filler tube | | 1 | |
| 7 | 999 707 481 40 | o-ring 24 X 3,0 | | 1 | |
| 8 | 996 107 035 51 | cover 51 X 4,5 | | 1 | |
| 9 | 996 107 336 00 | gasket | | 1 | |
| 10 | 996 113 250 71 | retaining bracket for filler tube | | 1 | |
| 13 | 900 123 010 20 | sealing ring | | 1 | |
| 14 | 900 065 018 00 | screw plug | | 1 | |
| 15 | 996 606 140 00 | oil-level sender | | 1 | |
| 16 | 999 702 193 40 | rubber sleeve 17,0 X 24,0 X 1,8 | | 3 | |
| 17 | 996 207 407 72 | support | | 1 | |
| 18 | 900 378 074 09 | hexagon-head bolt M 8 X 16 | | 1 | |
| 19 | 996 207 417 73 | support | | 1 | |
| 20 | 999 209 037 02 | spacer sleeve 8,4 X 1,8 | | 3 | |
| 21 | 900 378 108 09 | hexagon-head bolt AM 8 X 35 | | 3 | |
| 22 | 999 084 210 02 | lock nut M 8 | | 2 | |
| 23 | N 014 726 1 | pan-head screw M 8 X 30 | | 1 | |

| | | | | | | | | | | | |
|-------|------|----|----|--------------|--------------|--------|------|------------|---------|-----|---------|
| Model | Year | MG | SG | Illustration | Restrictions | Update | 9:36 | 30.08.2006 | PORSCHE | PET | PORSCHE |
| 997t | 07 | 1 | 04 | 104-05 | | 203 | | | | | |

| Pos | Part Number | Name | Remarks | Qty | Model | Pos | Part Number | Name | Remarks | Qty | Model |
|-----|----------------|-------------------------------------|---------|-----|-------|-----|-------------|------|---------|-----|-------|
| 24 | 900 378 035 09 | hexagon-head bolt M 6 X 16 | | 3 | | | | | | | |
| 25 | 999 707 316 40 | o-ring 21,89 X 2,62 | | 2 | | | | | | | |
| 26 | 996 207 012 74 | intake connection | | 1 | | | | | | | |
| 27 | 999 707 364 40 | sealing ring 30 X 2,5 | | 1 | | | | | | | |
| 28 | 900 378 030 09 | hexagon-head bolt M 6 X 20 | | 1 | | | | | | | |
| 29 | 996 107 027 73 | return line | | 1 | | | | | | | |
| 30 | 900 377 019 02 | hexagon nut M 5 | | 6 | | | | | | | |
| 32 | 996 207 207 71 | spacer | | 1 | | | | | | | |
| 33 | 996 207 206 71 | spacer | | 1 | | | | | | | |
| 34 | 900 249 061 09 | countersunk-head screw M 12 X 40 | | 2 | | | | | | | |
| 35 | 996 207 137 70 | hose | | 1 | | | | | | | |
| 36 | 999 512 346 00 | hose clamp 16 - 27/9 | | 2 | | | | | | | |
| | | - - - E N D - - - | | | | | | | | | |

| | | | | | | | | | | | |
|-------|------|----|----|--------------|--------------|--------|------|------------|---------|-----|---------|
| Model | Year | MG | SG | Illustration | Restrictions | Update | 9:37 | 30.08.2006 | PORSCHE | PET | PORSCHE |
| 997t | 07 | 1 | 04 | 104-10 | | 203 | | | | | |

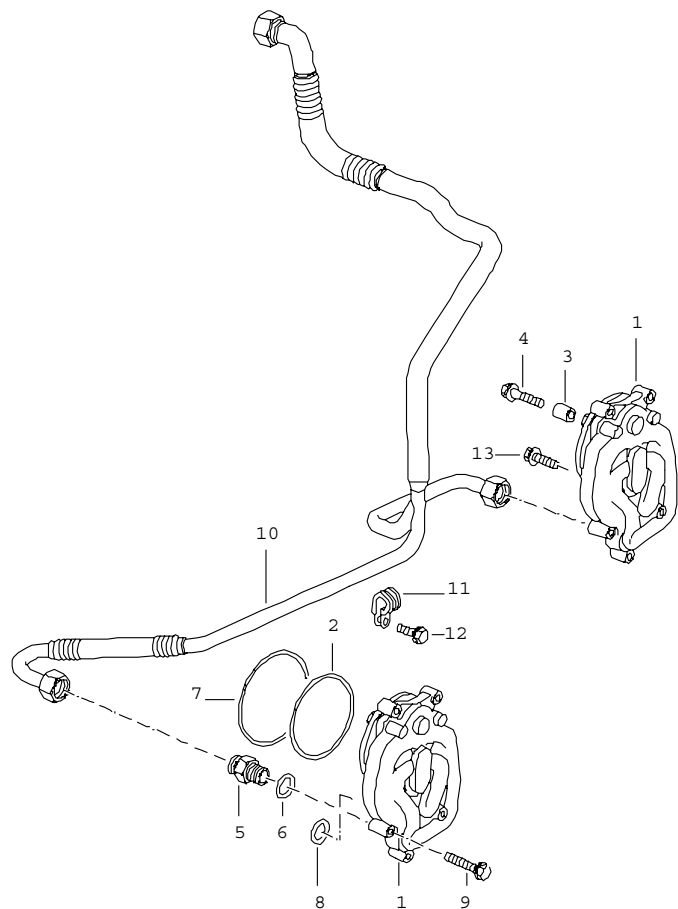


| Pos | Part Number | Name | Remarks | Qty | Model |
|-----|----------------|-------------------------------|---------|-----|-------|
| 1 | 997 107 033 71 | oil filter bracket | | 1 | |
| 2 | 996 107 441 71 | socket | | 1 | |
| 3 | 996 107 451 72 | socket | | 1 | |
| 4 | 999 707 422 40 | o-ring 32,92 X 3,53 | | 2 | |
| 5 | 999 707 426 40 | o-ring 37,69 X 3,53 | | 1 | |
| 6 | 999 707 113 40 | round seal 20,22 X 3,53 | | 1 | |
| 7 | 996 107 311 72 | return pipe | | 1 | |
| 8 | 999 701 789 40 | o-ring 12,00 X 2,00 | | 1 | |
| 9 | 999 707 446 40 | o-ring 18,00 X 2,5 | | 1 | |
| 10 | 900 075 341 02 | screw M 6 X 25 | | 4 | |
| 11 | 900 378 177 09 | hexagon-head bolt M 6 X 30 | | 1 | |
| 12 | N 011 524 7 | washer A 6,4 | | 1 | |
| 13 | 996 107 025 71 | heat exchanger | | 1 | |
| 14 | 999 707 409 40 | o-ring 26,00 X 3,00 | | 4 | |
| 15 | 996 107 226 71 | oil pipe | | 1 | |
| 18 | 900 378 035 09 | hexagon-head bolt M 6 X 16 | | 4 | |
| 19 | 996 207 143 70 | breather hose | | 1 | |
| 20 | 999 512 252 02 | hose clamp 23 - 35/9 | | 3 | |
| 21 | 999 512 348 02 | hose clamp 40 - 60/9 | | 1 | |
| 22 | 997 107 201 70 | housing | | 1 | |
| 23 | 996 107 225 53 | filter element | | 1 | |
| 24 | 997 107 285 70 | cover | | 1 | |

| | | | | | | | | | | | |
|-------|------|----|----|--------------|--------------|--------|------|------------|---------|-----|---------|
| Model | Year | MG | SG | Illustration | Restrictions | Update | 9:37 | 30.08.2006 | PORSCHE | PET | PORSCHE |
| 997t | 07 | 1 | 04 | 104-10 | | 203 | | | | | |

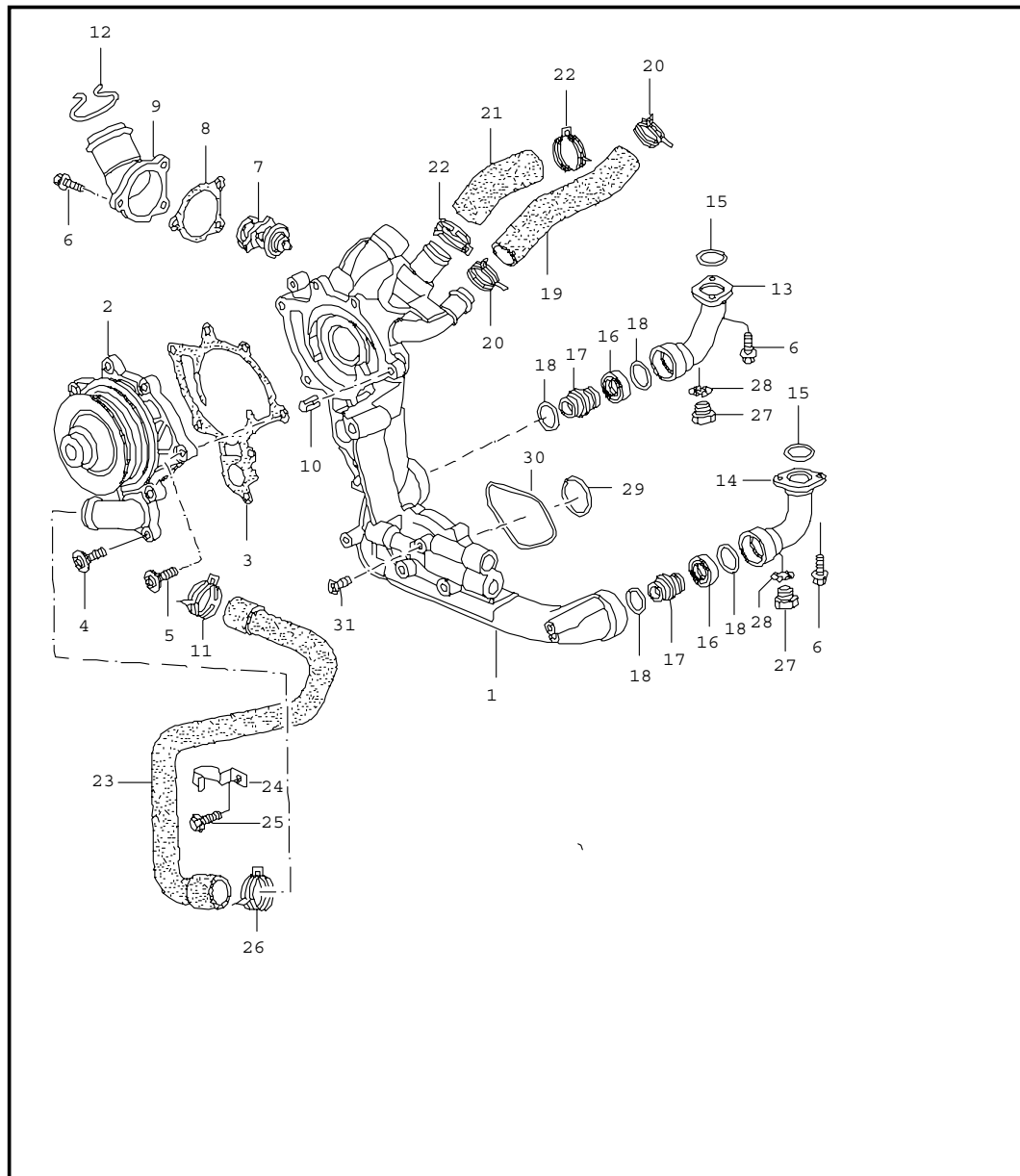
| Pos | Part Number | Name | Remarks | Qty | Model | Pos | Part Number | Name | Remarks | Qty | Model |
|-----|----------------|--------------------------------|---------|-----|-------|-----|-------------|------|---------|-----|-------|
| 25 | 999 707 465 40 | o-ring 10 X 2 | | 1 | | | | | | | |
| 26 | 900 378 022 09 | hexagon-head bolt AM 8 X 25 | | 3 | | | | | | | |
| 27 | 996 107 217 70 | gasket | | 1 | | | | | | | |
| 28 | 996 606 410 00 | temperature sensor | | 1 | | | | | | | |
| 29 | 996 106 328 72 | water hose return | | 1 | | | | | | | |
| 30 | 999 512 356 02 | hose clamp 25 - 40 | | 2 | | | | | | | |
| 32 | 996 106 551 70 | support | | 1 | | | | | | | |
| 33 | 999 651 300 40 | hose holder | | 1 | | | | | | | |
| 34 | 999 507 699 40 | holder | | 1 | | | | | | | |
| 35 | 996 107 301 72 | support | | 1 | | | | | | | |
| 36 | 900 378 108 09 | hexagon-head bolt AM 8 X 35 | | 2 | | | | | | | |
| 37 | 900 378 013 09 | hexagon-head bolt AM 6 X 25 | | 2 | | | | | | | |
| 38 | 996 107 313 51 | sealing ring | | 1 | | | | | | | |
| 39 | 996 106 229 73 | vent line | | 1 | | | | | | | |
| 40 | 996 106 537 72 | breather hose | | 1 | | | | | | | |
| 41 | 996 106 531 73 | breather hose | | 1 | | | | | | | |
| 42 | 999 512 427 02 | hose clamp 8 - 16 / 9 | | 3 | | | | | | | |
| 43 | 999 512 554 00 | hose clamp 12 - 22 / 9 | | 1 | | | | | | | |
| 44 | 996 107 032 70 | support | | 1 | | | | | | | |
| 45 | 997 606 203 01 | oil pressure switch | | 1 | | | | | | | |
| | | - - - E N D - - - | | | | | | | | | |

| | | | | | | | | | | | |
|-------|------|----|----|--------------|--------------|--------|------|------------|---------|-----|---------|
| Model | Year | MG | SG | Illustration | Restrictions | Update | 9:37 | 30.08.2006 | PORSCHE | PET | PORSCHE |
| 997t | 07 | 1 | 04 | 104-20 | | 203 | | | | | |



| Pos | Part Number | Name | Remarks | Qty | Model |
|-------------------|----------------|-------------------------------|---------|-----|-------|
| | | oil supply return | | | |
| 1 | 996 107 021 72 | oil pump | | 1 | |
| (1) | 997 107 022 72 | tandem pump cyl. 1 - 3 | | 1 | |
| 2 | 999 707 425 40 | o-ring 85,32 X 3,53 | | 2 | |
| 3 | 996 104 117 50 | dowel sleeve | | 4 | |
| 4 | 900 378 177 09 | hexagon-head bolt M 6 X 30 | | 4 | |
| 5 | 900 915 006 02 | union A 15 | | 2 | |
| 6 | 900 123 106 30 | sealing ring A 18 X 24 | | 2 | |
| 7 | 999 707 482 40 | o-ring 90,00 X 2,5 | | 2 | |
| 8 | 999 707 499 40 | o-ring 21,00 X 3,00 | | 4 | |
| 9 | 900 378 174 09 | hexagon-head bolt M 6 X 35 | | 6 | |
| 10 | 996 107 019 72 | return line | | 1 | |
| 11 | 999 511 250 02 | clip | | 1 | |
| 12 | 900 378 036 09 | hexagon-head bolt M 6 X 12 | | 1 | |
| 13 | 900 378 013 09 | hexagon-head bolt M 6 X 25 | | 4 | |
| - - - E N D - - - | | | | | |

| | | | | | | | | | | | |
|-------|------|----|----|--------------|--------------|--------|------|------------|---------|-----|---------|
| Model | Year | MG | SG | Illustration | Restrictions | Update | 9:37 | 30.08.2006 | PORSCHE | PET | PORSCHE |
| 997t | 07 | 1 | 05 | 105-00 | | 203 | | | | | |

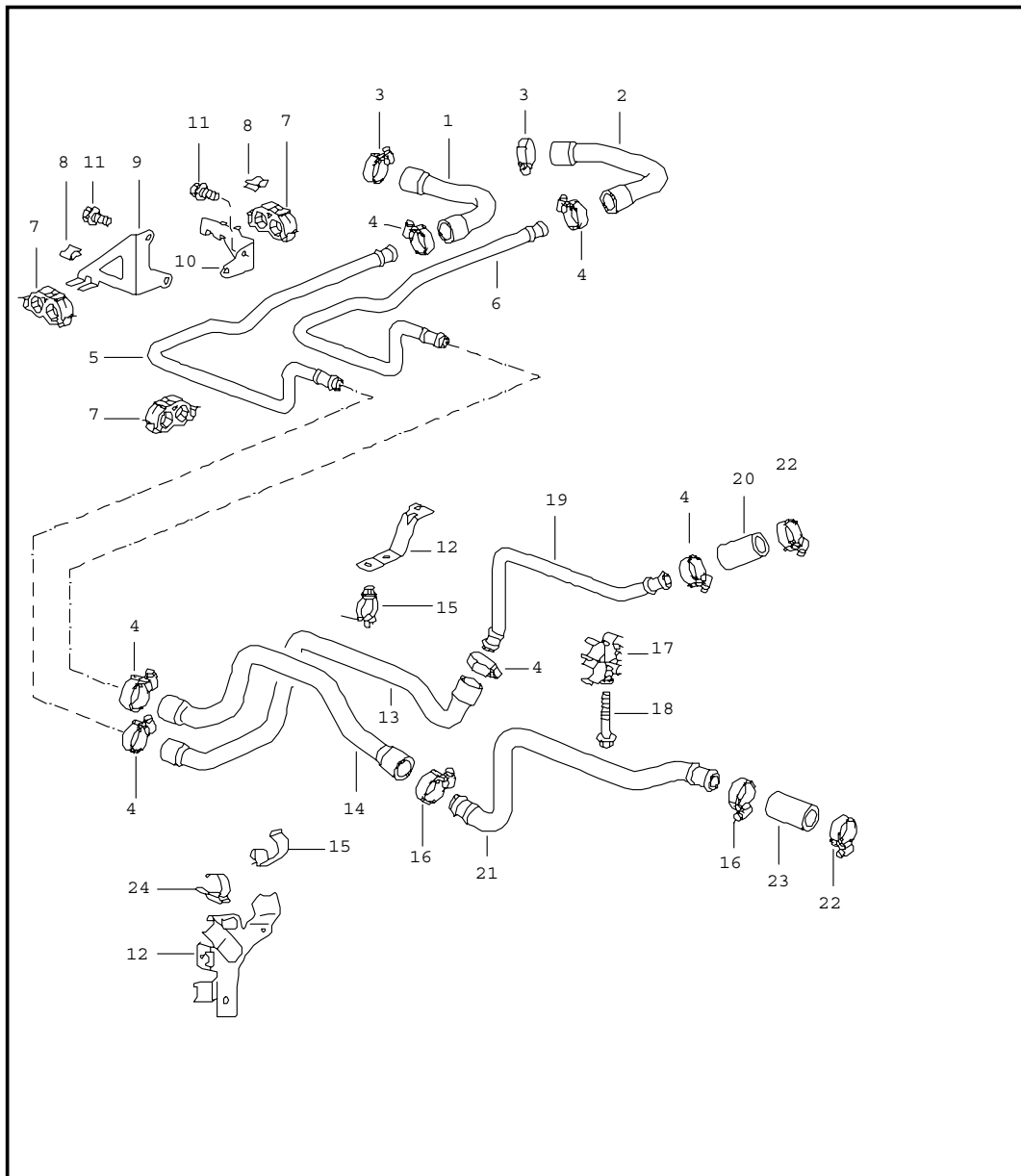


| Pos | Part Number | Name | Remarks | Qty | Model |
|-----|----------------|--------------------------------|---------|-----|-------|
| | | water pump | | | |
| | | water pump housing | | | |
| 1 | 997 106 002 70 | water pump housing | | 1 | |
| 2 | 997 106 011 70 | water pump | | 1 | |
| 3 | 996 106 340 71 | gasket | | 1 | |
| 4 | 999 073 188 09 | oval-head screw M 6 X 25 | | 5 | |
| 5 | 999 073 110 09 | oval-head screw M 6 X 30 | | 2 | |
| 6 | 900 378 030 09 | hexagon-head bolt AM 6 X 20 | | 7 | |
| 7 | 996 106 125 70 | thermostat insert | | 1 | |
| 8 | 996 106 326 70 | gasket | | 1 | |
| 9 | 996 106 121 71 | cover | | 1 | |
| 10 | 996 106 103 50 | dowel sleeve 8,2 X 7 | | 2 | |
| 11 | 999 512 356 02 | hose clamp | | 1 | |
| 12 | 996 106 802 10 | retainer spring | | 1 | |
| 13 | 996 106 139 71 | connection piece | | 1 | |
| 14 | 996 106 140 71 | connection piece | | 1 | |
| 15 | 999 707 410 40 | o-ring 39,20 X 3,00 | | 2 | |
| 16 | 996 106 214 70 | protective ring | | 2 | |
| 17 | 996 106 238 71 | socket | | 2 | |
| 18 | 999 707 411 40 | o-ring 28,00 X 4,50 | | 4 | |
| 19 | 996 106 477 73 | hose | | 1 | |
| 20 | 999 512 551 00 | hose clamp 29 X 12 | | 2 | |
| 21 | 996 106 529 71 | hose | | 1 | |
| 22 | 999 512 356 02 | hose clamp 35 X 12 | | 2 | |
| 23 | 996 106 250 72 | hose | | 1 | |
| 24 | 996 106 550 70 | support | | 1 | |

| | | | | | | | | | | | |
|-------|------|----|----|--------------|--------------|--------|------|------------|---------|-----|---------|
| Model | Year | MG | SG | Illustration | Restrictions | Update | 9:37 | 30.08.2006 | PORSCHE | PET | PORSCHE |
| 997t | 07 | 1 | 05 | 105-00 | | 203 | | | | | |

| Pos | Part Number | Name | Remarks | Qty | Model | Pos | Part Number | Name | Remarks | Qty | Model |
|-----|----------------|------------------------------------|---------|-----|-------|-----|-------------|------|---------|-----|-------|
| 25 | 900 378 036 09 | hexagon-head bolt M 6 X 12 | | 1 | | | | | | | |
| 26 | 999 512 356 02 | hose clamp 36 X 12 | | 1 | | | | | | | |
| 27 | 900 219 007 02 | screw plug M 10 X 1 | | 2 | | | | | | | |
| 28 | 900 123 144 30 | sealing ring A 10 X 13,5 | | 2 | | | | | | | |
| 29 | 999 707 315 40 | o-ring 33,3 X 2,4 | | 1 | | | | | | | |
| 30 | 999 707 468 40 | o-ring 68 X 2 | | 1 | | | | | | | |
| 31 | 999 073 013 02 | countersunk-head screw M 6 X 10 | | 1 | | | | | | | |
| | | - - - E N D - - - | | | | | | | | | |

| | | | | | | | | | | | |
|-------|------|----|----|--------------|--------------|--------|------|------------|---------|-----|---------|
| Model | Year | MG | SG | Illustration | Restrictions | Update | 9:37 | 30.08.2006 | PORSCHE | PET | PORSCHE |
| 997t | 07 | 1 | 05 | 105-03 | | 203 | | | | | |

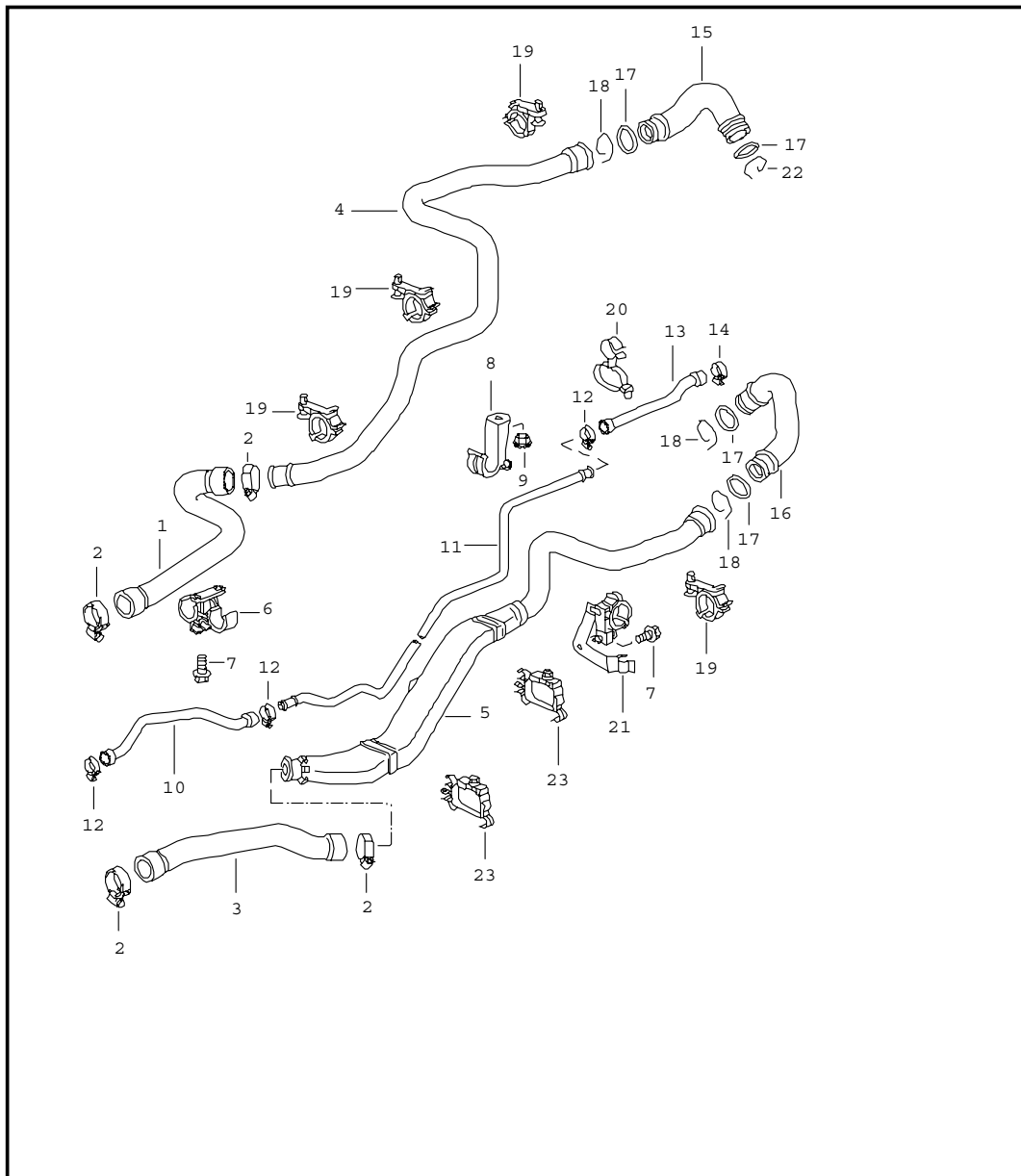


| Pos | Part Number | Name | Remarks | Qty | Model |
|------|----------------|-------------------------------|---------|-----|-------|
| 1 | 996 106 212 72 | lines heating hose supply | | 1 | |
| 2 | 996 106 222 72 | hose return | | 1 | |
| 3 | 999 512 552 00 | hose clamp 25 X 12 | | 2 | |
| 4 | 999 512 657 09 | hose clamp 26 X 12 | | 6 | |
| 5 | 996 106 312 72 | water tube supply | | 1 | |
| 6 | 996 106 322 72 | water tube return | | 1 | |
| 7 | 999 507 700 41 | hose holder 19 | | 3 | |
| 8 | 999 507 701 02 | u-clamp 14 X 18 X 24,5 | | 4 | |
| 9 | 996 106 533 72 | support | /L | 1 | I 249 |
| (9) | 996 106 535 72 | support | /L | 1 | I 480 |
| 10 | 996 106 534 71 | support | /R | 1 | I 249 |
| (10) | 996 106 536 71 | support | /R | 1 | I 480 |
| 11 | 900 378 036 09 | hexagon-head bolt M 6 X 12 | | 4 | |
| 12 | 996 106 523 74 | support | | 1 | I 249 |
| (12) | 996 106 526 72 | support | | 1 | I 480 |
| 13 | 996 106 432 72 | hose supply | | 1 | I 249 |
| (13) | 996 106 434 72 | hose supply | | 1 | I 480 |
| 14 | 996 106 422 72 | hose return | | 1 | I 249 |
| (14) | 996 106 424 72 | hose return | | 1 | I 480 |
| 15 | 999 507 720 02 | hose holder | | 3 | |
| 16 | 999 512 551 00 | hose clamp 32 X 12 | | 2 | |

| | | | | | | | | | | | |
|-------|------|----|----|--------------|--------------|--------|------|------------|---------|-----|---------|
| Model | Year | MG | SG | Illustration | Restrictions | Update | 9:37 | 30.08.2006 | PORSCHE | PET | PORSCHE |
| 997t | 07 | 1 | 05 | 105-03 | | 203 | | | | | |

| Pos | Part Number | Name | Remarks | Qty | Model | Pos | Part Number | Name | Remarks | Qty | Model |
|-----|----------------|--------------------------------|---------|-----|-------|-----|-------------|------|---------|-----|-------|
| 17 | 996 106 455 71 | support | | 2 | | | | | | | |
| 18 | 900 378 113 09 | hexagon-head bolt AM 6 X 45 | | 2 | | | | | | | |
| 19 | 996 106 052 70 | water tube supply | | 1 | | | | | | | |
| -- | 999 511 744 40 | spacer | | 1 | | | | | | | |
| 20 | 996 106 233 72 | hose supply | | 1 | | | | | | | |
| 21 | 996 106 254 71 | water tube return | | 1 | | | | | | | |
| 22 | 999 512 356 02 | hose clamp 25 - 40/9 | | 2 | | | | | | | |
| 23 | 996 106 512 72 | hose return | | 1 | | | | | | | |
| 24 | 999 651 300 40 | hose holder | | 2 | | | | | | | |
| | | - - - E N D - - - | | | | | | | | | |

| | | | | | | | | | | | |
|-------|------|----|----|--------------|--------------|--------|------|------------|---------|-----|---------|
| Model | Year | MG | SG | Illustration | Restrictions | Update | 9:38 | 30.08.2006 | PORSCHE | PET | PORSCHE |
| 997t | 07 | 1 | 05 | 105-05 | | 203 | | | | | |

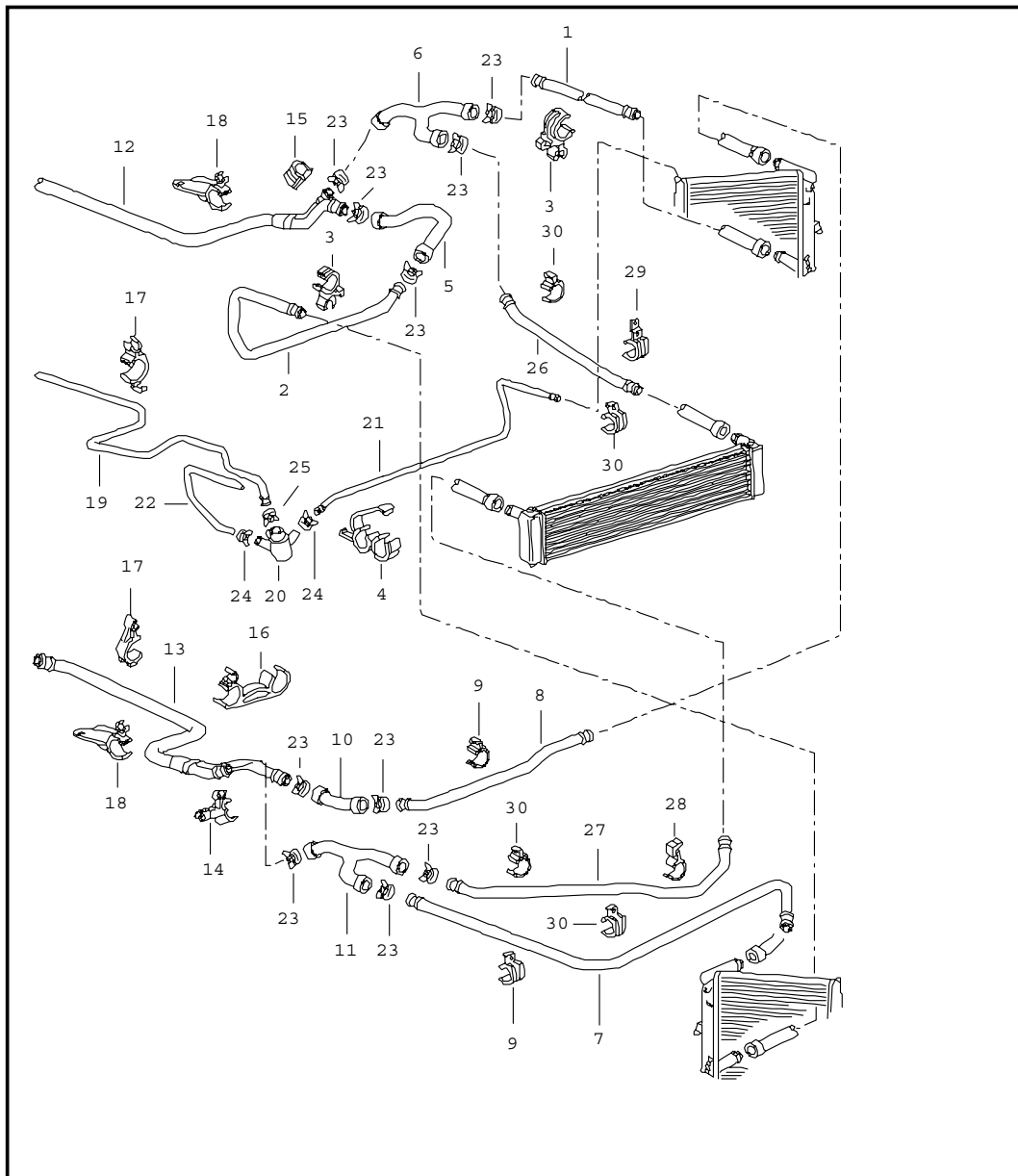


| Pos | Part Number | Name | Remarks | Qty | Model |
|-----|----------------|-------------------------------|---------|-----|-------|
| | | water cooling 1 | | | |
| 1 | 996 106 740 71 | hose | | 1 | |
| 2 | 999 512 348 02 | hose clamp 49 X 12 | | 3 | |
| 3 | 996 106 741 72 | hose | | 1 | I 480 |
| (3) | 996 106 742 72 | hose | | 1 | I 249 |
| 4 | 996 106 610 73 | water tube | | 1 | |
| 5 | 996 106 069 70 | water tube | | 1 | |
| 6 | 996 106 427 70 | support | | 1 | |
| 7 | 900 378 123 09 | hexagon-head bolt M 6 X 12 | | 2 | |
| 8 | 996 106 417 51 | support | | 2 | |
| 9 | 900 377 010 09 | hexagon nut M 6 | | 2 | |
| 10 | 996 106 336 72 | breather hose | | 1 | |
| 11 | 996 106 681 74 | vent line | | 1 | |
| 12 | 999 512 554 00 | hose clamp 20 X 12 | | 3 | |
| 13 | 996 106 251 71 | breather hose | | 1 | |
| 14 | 999 512 657 09 | hose clamp 26 X 12 | | 2 | |
| 15 | 996 106 501 74 | hose | | 1 | |
| 16 | 996 106 502 74 | water hose | | 1 | |
| 17 | 996 106 801 03 | o-ring | | 4 | |
| 18 | 996 106 802 11 | retainer spring | | 3 | |
| 19 | 996 106 417 73 | support | | 5 | |
| 20 | 999 511 237 40 | hose holder 10-52/-18 | | 2 | |
| 21 | 996 106 509 71 | support | | 1 | |
| 22 | 996 106 802 10 | retainer spring | | 1 | |
| 23 | 996 106 429 71 | support | | 2 | |
| 24 | 999 512 348 02 | hose clamp 53 X 12 | | 1 | |

| | | | | | | | | | | | | |
|-------|------|----|----|--------------|--------------|--------|------|------------|---------|-----|---------|--|
| Model | Year | MG | SG | Illustration | Restrictions | Update | | | | | | |
| 997t | 07 | 1 | 05 | 105-05 | | 203 | 9:38 | 30.08.2006 | PORSCHE | PET | PORSCHE | |

| Pos | Part Number | Name | Remarks | Qty | Model | Pos | Part Number | Name | Remarks | Qty | Model |
|-----|-------------|-------------------|---------|-----|-------|-----|-------------|------|---------|-----|-------|
| | | - - - E N D - - - | | | | | | | | | |

| | | | | | | | | | | | |
|-------|------|----|----|--------------|--------------|--------|------|------------|---------|-----|---------|
| Model | Year | MG | SG | Illustration | Restrictions | Update | 9:38 | 30.08.2006 | PORSCHE | PET | PORSCHE |
| 997t | 07 | 1 | 05 | 105-12 | | 203 | | | | | |

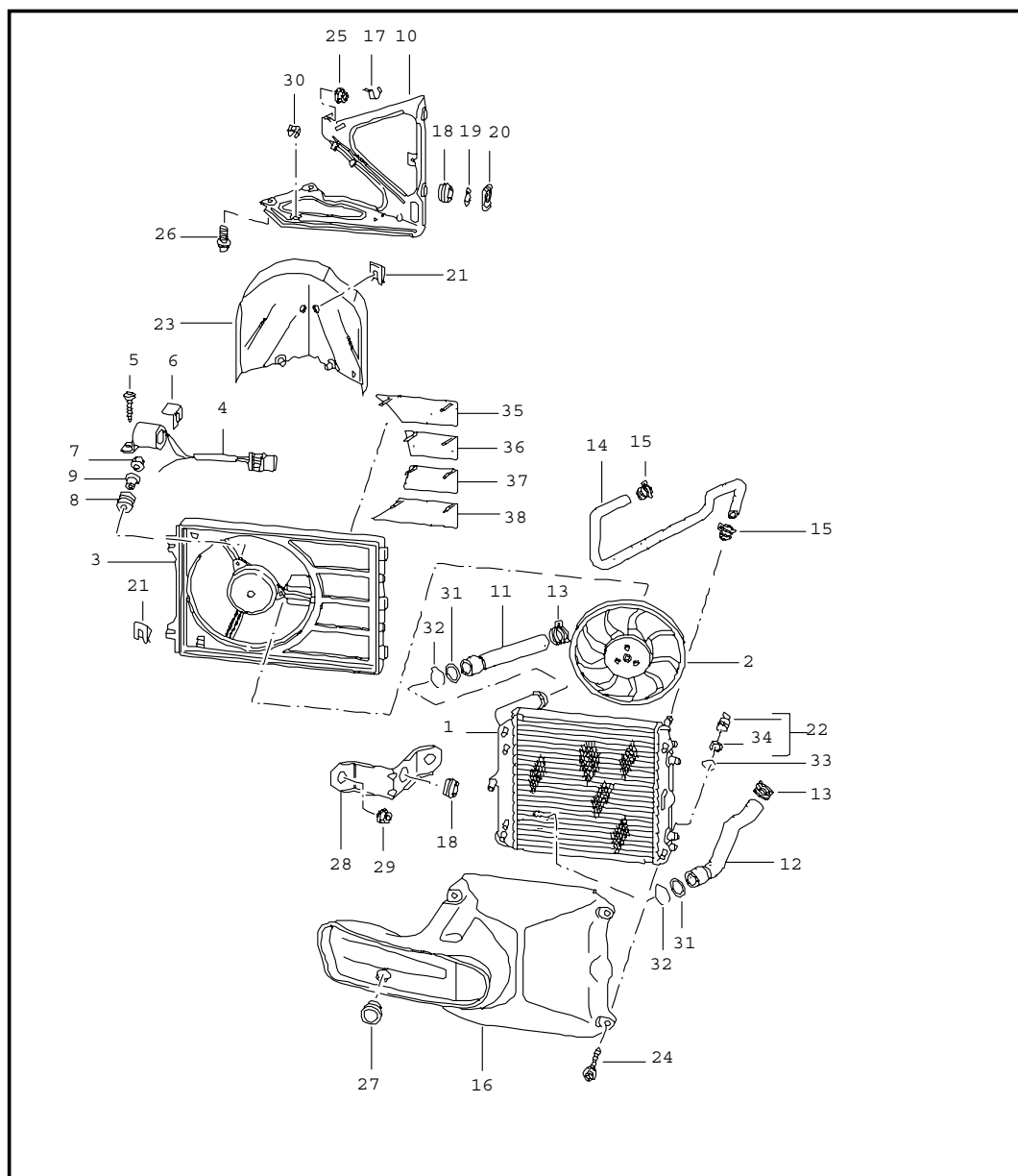


| Pos | Part Number | Name | Remarks | Qty | Model |
|-----|----------------|--------------------|---------|-----|-------|
| | | water cooling 2 | | | |
| 1 | 996 106 611 53 | water tube supply | /R | 1 | |
| 2 | 996 106 711 03 | water tube supply | /L | 1 | |
| 3 | 996 106 414 55 | support | | 4 | |
| 4 | 996 106 525 04 | support | | 2 | |
| 5 | 996 106 723 02 | hose supply | /R | 1 | |
| 6 | 996 106 724 72 | hose supply | /R | 1 | |
| 7 | 996 106 715 01 | water tube return | /L | 1 | |
| 8 | 996 106 720 71 | water tube return | /R | 1 | |
| 9 | 996 106 419 52 | support | | 3 | |
| 10 | 996 106 727 03 | hose return | /L | 1 | |
| 11 | 996 106 728 72 | hose return | /L | 1 | |
| 12 | 996 106 752 03 | water tube supply | | 1 | |
| 13 | 996 106 751 04 | water tube return | | 1 | |
| 14 | 996 106 513 01 | support | /L | 1 | |
| 15 | 996 106 514 00 | support | /R | 1 | |
| 16 | 996 106 540 00 | support | | 1 | |
| 17 | 996 106 515 01 | support | | 2 | |
| 18 | 996 106 520 01 | support | | 2 | |
| 19 | 996 106 227 72 | vent line | | 1 | |
| 20 | 996 106 647 04 | y-piece | | 1 | |
| 21 | 996 106 766 71 | vent line | /R | 1 | |
| 22 | 996 106 765 71 | vent line | /L | 1 | |
| 23 | 999 512 499 00 | hose clamp 40 X 12 | | 8 | |

| | | | | | | | | | | | |
|-------|------|----|----|--------------|--------------|--------|------|------------|---------|-----|---------|
| Model | Year | MG | SG | Illustration | Restrictions | Update | 9:38 | 30.08.2006 | PORSCHE | PET | PORSCHE |
| 997t | 07 | 1 | 05 | 105-12 | | 203 | | | | | |

| Pos | Part Number | Name | Remarks | Qty | Model | Pos | Part Number | Name | Remarks | Qty | Model |
|-----|----------------|--------------------------|---------|-----|-------|-----|-------------|------|---------|-----|-------|
| 24 | 999 512 554 00 | hose clamp 12 - 22 MM | | 2 | | | | | | | |
| 25 | 999 512 554 00 | hose clamp 12 - 22 MM | | 1 | | | | | | | |
| 26 | 996 106 725 71 | water tube | /L | 1 | | | | | | | |
| 27 | 996 106 730 71 | water tube | /R | 1 | | | | | | | |
| 28 | 996 106 574 71 | support | /R | 1 | | | | | | | |
| 29 | 996 106 573 71 | support | /L | 1 | | | | | | | |
| 30 | 996 106 473 70 | support | | 4 | | | | | | | |
| | | - - - E N D - - - | | | | | | | | | |

| | | | | | | | | | | | |
|-------|------|----|----|--------------|--------------|--------|------|------------|---------|-----|---------|
| Model | Year | MG | SG | Illustration | Restrictions | Update | 9:38 | 30.08.2006 | PORSCHE | PET | PORSCHE |
| 997t | 07 | 1 | 05 | 105-15 | | 203 | | | | | |

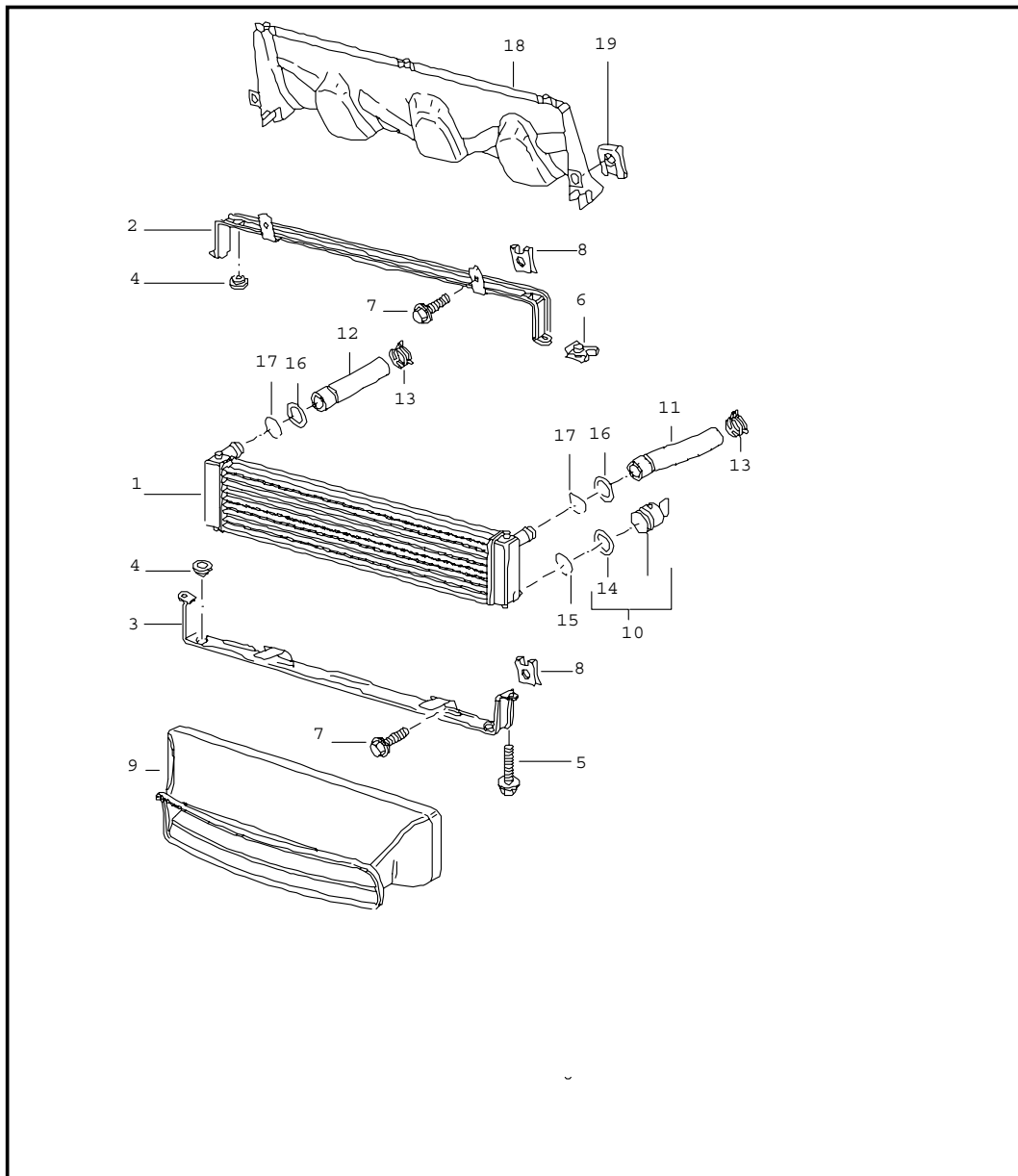


| Pos | Part Number | Name | Remarks | Qty | Model |
|------|------------------|--|---------|-----|-------|
| | | water cooling 3 | | | |
| 1 | N 996 106 131 72 | radiator | /L | 1 | |
| (1) | N 996 106 132 70 | radiator | /R | 1 | |
| 2 | N 997 624 127 01 | fan | | 2 | |
| 3 | N 997 624 141 00 | air box | | 2 | |
| 4 | 996 624 141 00 | series resistor | | 2 | |
| 5 | 996 624 145 00 | lens-head screw | | 2 | |
| 6 | 996 624 143 00 | support | | 2 | |
| 7 | 900 377 010 09 | hexagon nut | | 6 | |
| 8 | 996 624 173 00 | rubber mounting | | 6 | |
| 9 | 999 209 049 02 | spacer sleeve | | 6 | |
| 10 | 996 504 155 00 | bracket | /L | 1 | |
| (10) | 996 504 156 00 | bracket | /R | 1 | |
| 11 | 996 106 621 74 | water hose with one conectio radiator centre | | 2 | |
| 12 | 996 106 625 78 | hose radiator centre | /L | 1 | |
| (12) | 996 106 626 74 | water hose | /R | 1 | |
| 13 | 999 512 552 00 | hose clamp 20 - 32 X 9 | | 4 | |
| 14 | 996 106 137 75 | breather hose | /L | 1 | |
| (14) | 996 106 138 78 | breather hose radiator centre | /R | 1 | |
| 15 | 996 106 802 15 | retainer spring | | 4 | |
| 16 | 996 575 321 02 | air duct | /L | 1 | |
| (16) | 996 575 322 02 | air duct | /R | 1 | |
| 17 | 999 651 305 02 | cable holder | | 2 | |
| 18 | 999 702 214 40 | grommet 14 X 20,5 X 7,5 | | 6 | |
| 19 | 999 025 255 02 | washer | | 4 | |

| | | | | | | | | | | | |
|-------|------|----|----|--------------|--------------|--------|------|------------|---------|-----|---------|
| Model | Year | MG | SG | Illustration | Restrictions | Update | 9:38 | 30.08.2006 | PORSCHE | PET | PORSCHE |
| 997t | 07 | 1 | 05 | 105-15 | | 203 | | | | | |

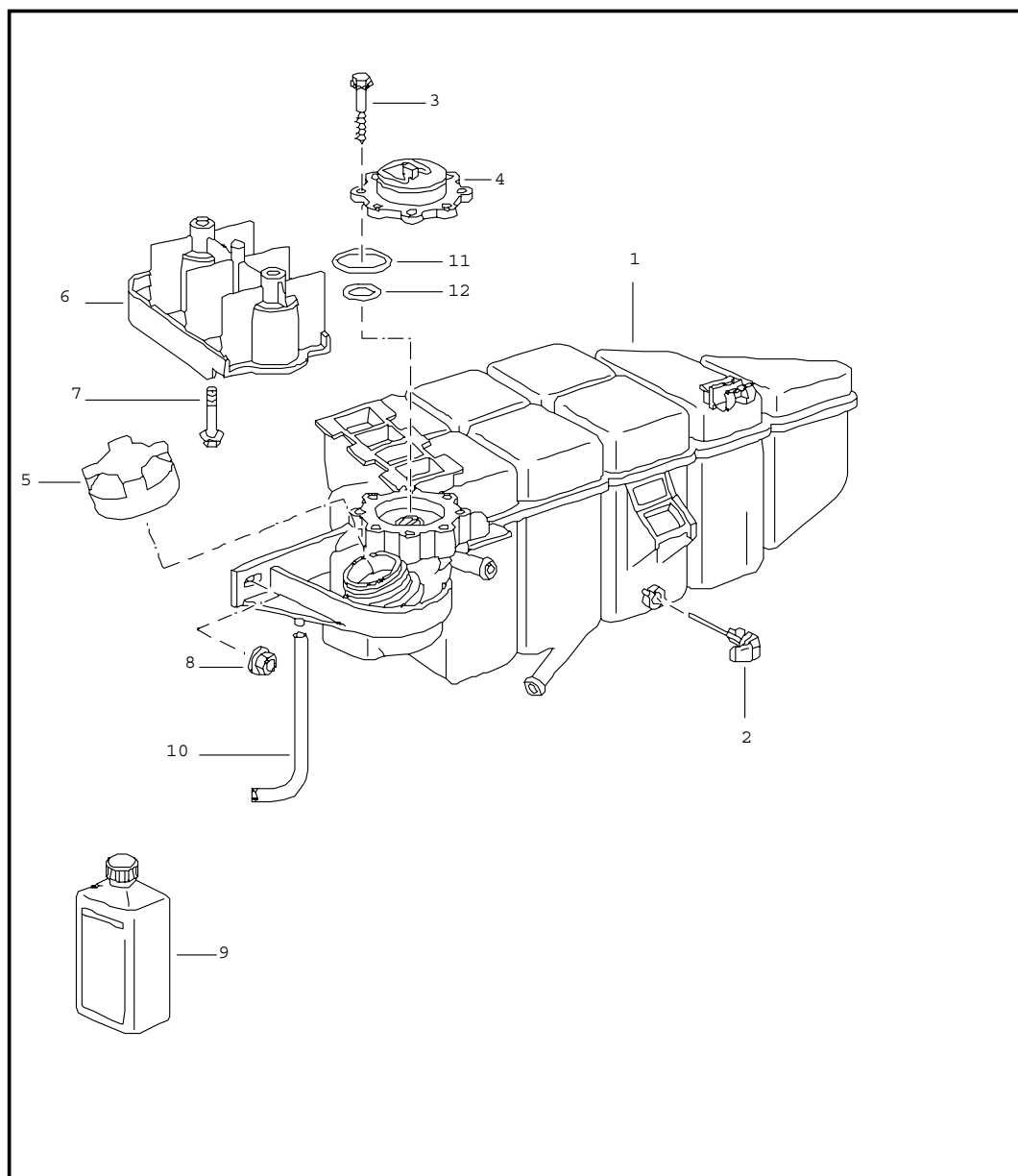
| Pos | Part Number | Name | Remarks | Qty | Model | Pos | Part Number | Name | Remarks | Qty | Model |
|------|----------------|-------------------------------|---------|-----|-------|------|----------------|----------|---------|-----|-------|
| 20 | 999 166 083 09 | tab washer B 25 | | 4 | | 38 | 996 624 163 00 | air flap | /L | 1 | |
| 21 | 999 166 077 02 | safety clip B 22 | | 6 | | (38) | 996 624 164 00 | air flap | /R | 1 | |
| 22 | 996 106 545 71 | plug | | 4 | | -- | 996 575 351 30 | air duct | | 1 | |
| 23 | 996 575 351 00 | air duct | /L | 1 | | | | | | | |
| (23) | 996 575 352 00 | air duct | /R | 1 | | | | | | | |
| 24 | 999 919 134 09 | oval-head screw 6,0 X 16 | | 4 | | | | | | | |
| 25 | 999 084 630 09 | hexagon nut M 8 | | 2 | | | | | | | |
| 26 | 900 378 074 09 | hexagon-head bolt M 8 X 16 | | 4 | | | | | | | |
| 27 | 999 702 214 40 | grommet 14 X 20,5 X 7,5 | | 2 | | | | | | | |
| (27) | 803 803 583 | rubber sleeve 30,0 X 40,0 | /R | 1 | | | | | | | |
| 28 | 996 504 523 01 | support | /L | 1 | | | | | | | |
| (28) | 996 504 524 01 | support | /R | 1 | | | | | | | |
| 29 | 900 377 003 02 | hexagon nut M 8 | | 4 | | | | | | | |
| 30 | 999 507 590 02 | captive nut | | 1 | | | | | | | |
| 31 | 996 106 801 02 | o-ring | | 4 | | | | | | | |
| 32 | 996 106 802 17 | retainer spring | | 4 | | | | | | | |
| 32 | 996 106 802 16 | retainer spring | | 4 | | | | | | | |
| 33 | 996 106 802 15 | retainer spring | | 2 | | | | | | | |
| 34 | 996 106 801 00 | o-ring | | 2 | | | | | | | |
| 35 | 996 624 157 00 | air flap | /L | 1 | | | | | | | |
| (35) | 996 624 158 00 | air flap | /R | 1 | | | | | | | |
| 36 | 996 624 159 00 | air flap | /L | 1 | | | | | | | |
| (36) | 996 624 160 00 | air flap | /R | 1 | | | | | | | |
| 37 | 996 624 161 00 | air flap | /L | 1 | | | | | | | |
| (37) | 996 624 162 00 | air flap | /R | 1 | | | | | | | |

| | | | | | | | | | | | |
|-------|------|----|----|--------------|--------------|--------|------|------------|---------|-----|---------|
| Model | Year | MG | SG | Illustration | Restrictions | Update | 9:38 | 30.08.2006 | PORSCHE | PET | PORSCHE |
| 997t | 07 | 1 | 05 | 105-17 | | 203 | | | | | |



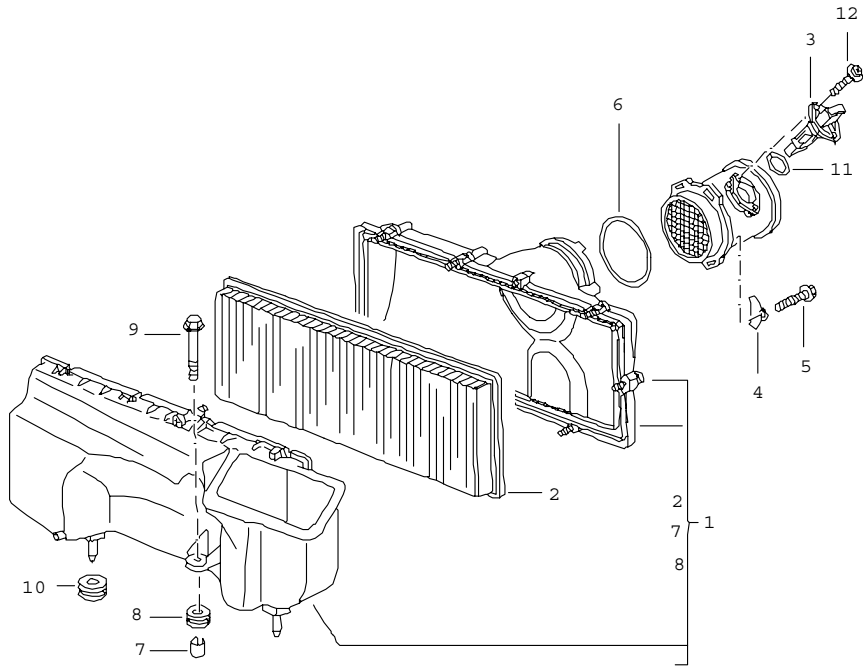
| Pos | Part Number | Name | Remarks | Qty | Model |
|-----|------------------|----------------------------|---------|-----|-------|
| 1 | N 997 106 038 02 | radiator centre | | 1 | |
| 2 | 996 504 495 00 | radiator | | 1 | |
| 3 | 996 504 493 00 | retaining frame | | 1 | |
| 4 | 930 113 430 00 | retaining frame lower | | 1 | |
| 5 | 900 378 036 09 | rubber mounting | | 4 | |
| 6 | 900 378 036 09 | hexagon-head bolt M 6 X 12 | | 2 | |
| 7 | 999 507 550 02 | speed nut M 6 | | 2 | |
| 8 | 900 378 074 09 | hexagon-head bolt M 8 X 16 | | 4 | |
| 9 | 999 591 869 02 | speed nut M 8 | | 4 | |
| 10 | 996 575 141 03 | air duct | | 1 | |
| 11 | 996 106 545 71 | plug | | 1 | |
| 12 | 996 106 639 73 | water hose | | 1 | |
| 13 | 996 106 638 73 | water hose | | 1 | |
| 14 | 999 512 551 00 | hose clamp 32 X 12 | | 2 | |
| 15 | 996 106 801 00 | o-ring | | 1 | |
| 16 | 996 106 802 15 | retainer spring | | 1 | |
| 17 | 996 106 801 05 | o-ring | | 2 | |
| 18 | 996 106 802 17 | retainer spring | | 2 | |
| 19 | 996 575 151 01 | air duct | | 1 | |
| 20 | 999 166 076 02 | safety clip | | 2 | |
| 21 | 996 575 761 00 | attachment strip | | 2 | |
| | 999 190 419 30 | blind rivet | | 6 | |
| | | - - - E N D - - - | | | |

| | | | | | | | | | | | |
|-------|------|----|----|--------------|--------------|--------|------|------------|---------|-----|---------|
| Model | Year | MG | SG | Illustration | Restrictions | Update | 9:38 | 30.08.2006 | PORSCHE | PET | PORSCHE |
| 997t | 07 | 1 | 05 | 105-20 | | 203 | | | | | |



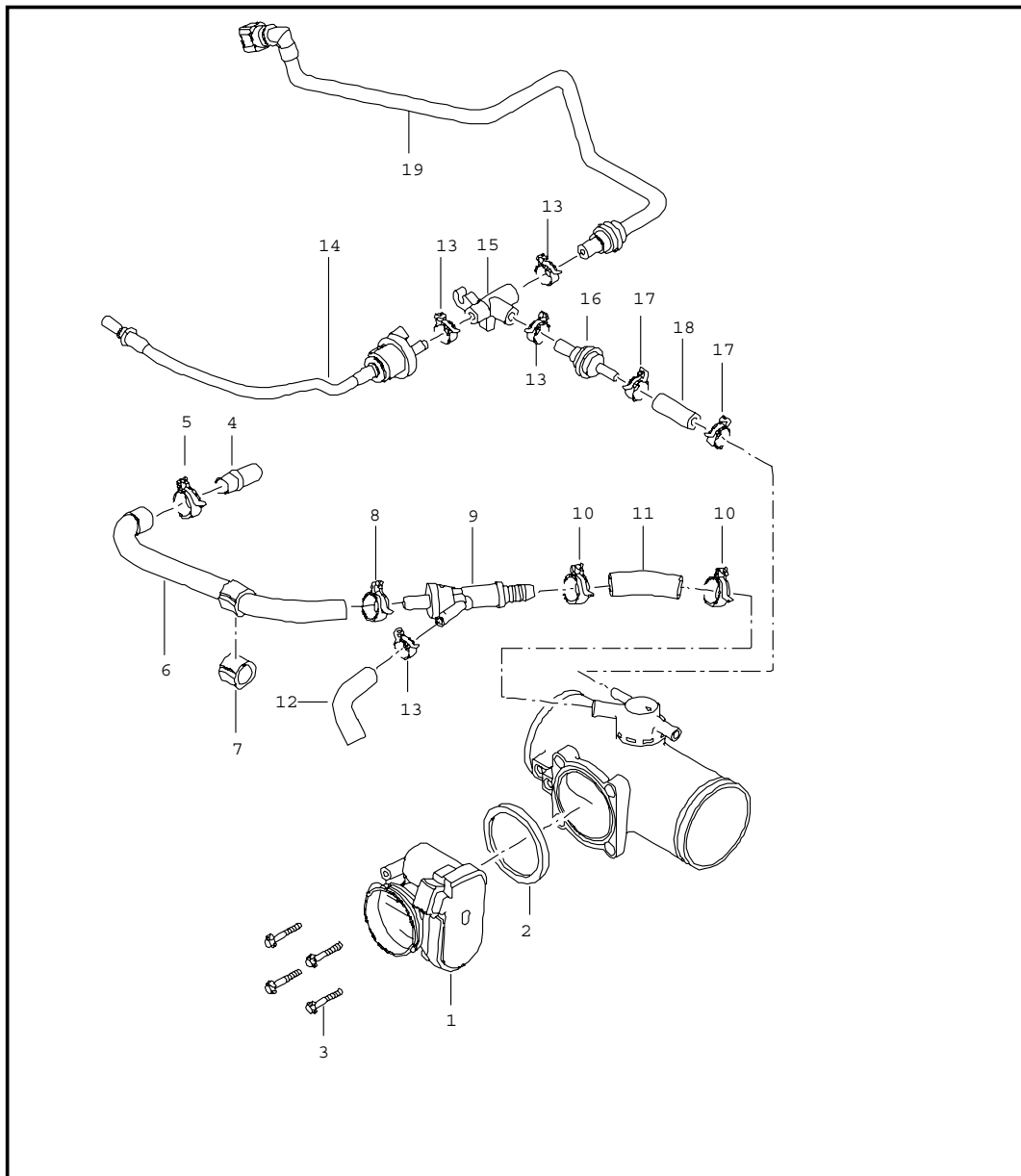
| Pos | Part Number | Name | Remarks | Qty | Model |
|-----|----------------|---|---------|-----|-------|
| | | water cooling 4 | | | |
| 1 | 996 106 157 03 | water reservoir | | 1 | |
| 2 | 996 641 503 00 | switch | | 1 | |
| 3 | 999 919 058 02 | hexagon-head bolt 5,0 X 40 | | 8 | |
| 4 | 996 106 347 01 | bleeder valve | | 1 | |
| 5 | 996 106 447 01 | cover | | 1 | |
| 6 | 996 106 405 71 | support | | 1 | |
| 7 | 900 378 168 09 | hexagon-head bolt M 6 X 30 | | 2 | |
| 8 | 999 084 629 09 | hexagon nut M 6 | | 1 | |
| 9 | 000 043 203 78 | antifreeze protection 1 LTR. GEBINDE | | X | |
| 9 | 000 043 300 31 | antifreeze protection 20 LTR. container | | X | |
| 10 | 996 106 297 00 | overflow hose | | 1 | |
| 11 | 999 707 370 40 | o-ring 47 X 4 | | 1 | |
| 12 | 999 707 371 40 | o-ring 17 X 4 | | 1 | |
| | | - - - E N D - - - | | | |

| | | | | | | | | | | | |
|-------|------|----|----|--------------|--------------|--------|------|------------|---------|-----|---------|
| Model | Year | MG | SG | Illustration | Restrictions | Update | 9:39 | 30.08.2006 | PORSCHE | PET | PORSCHE |
| 997t | 07 | 1 | 06 | 106-00 | | 203 | | | | | |



| Pos | Part Number | Name | Remarks | Qty | Model |
|-----|----------------|-------------------------------|---------|-----|-------|
| | | air cleaner | | | |
| 1 | 997 110 021 73 | air cleaner | | 1 | |
| 2 | 997 110 131 73 | air cleaner cartridge | | 1 | |
| 3 | 997 606 125 00 | mass air flow | | 2 | |
| 4 | 986 606 925 00 | o-ring | | 1 | |
| 5 | 999 919 160 07 | oval-head screw | | 2 | |
| 6 | 900 095 099 02 | roll pin 12,0 X 14 | | 1 | |
| 7 | 999 702 246 40 | grommet 12,0 X 17,0 X 3 | | 1 | |
| 8 | 999 075 063 02 | hexagon-head bolt M 6 X 34 | | 1 | |
| 9 | 999 702 221 40 | grommet 11,8 X 18,0 X 18 | | 2 | |
| | | - - - E N D - - - | | | |

| | | | | | | | | | | | |
|-------|------|----|----|--------------|--------------|--------|------|------------|---------|-----|---------|
| Model | Year | MG | SG | Illustration | Restrictions | Update | 9:39 | 30.08.2006 | PORSCHE | PET | PORSCHE |
| 997t | 07 | 1 | 07 | 107-00 | | 203 | | | | | |

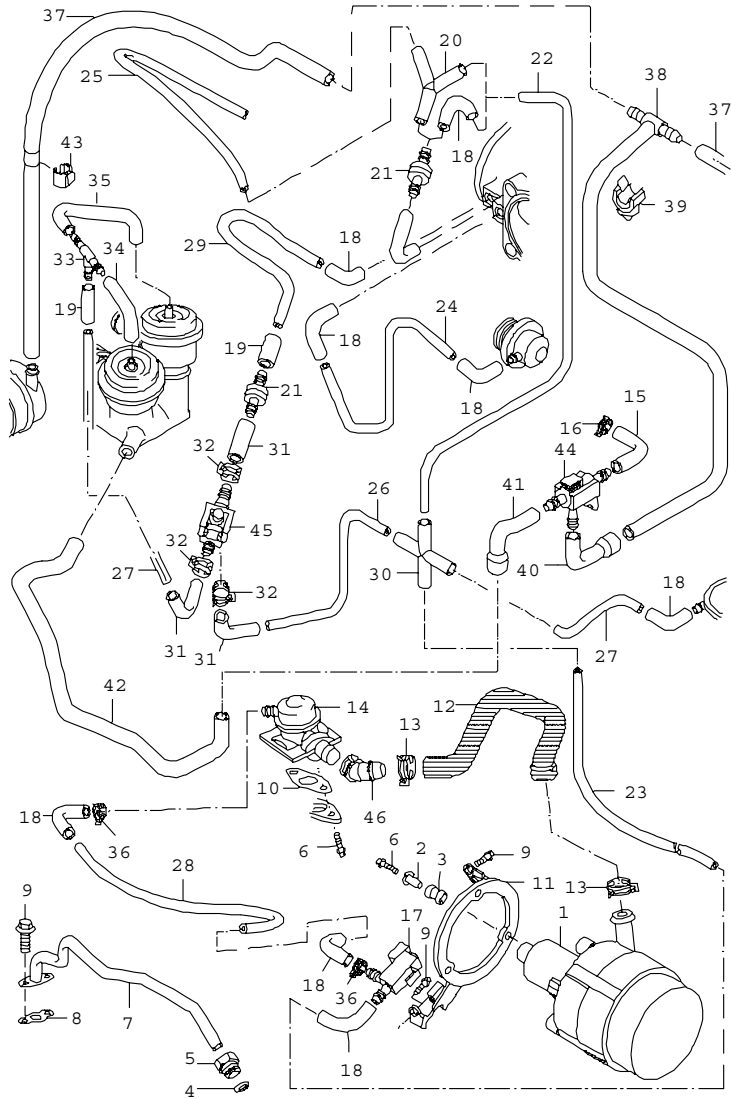


| Pos | Part Number | Name | Remarks | Qty | Model |
|-----|----------------|--------------------------------------|---------|-----|-------|
| | | throttle body | | | |
| 1 | 997 605 115 00 | throttle body | | 1 | |
| 2 | 996 110 318 01 | gasket | | 1 | |
| 3 | 900 378 032 09 | hexagon-head bolt | | 4 | |
| 4 | 996 110 657 70 | socket | | 1 | |
| 5 | 999 512 602 09 | hose clamp 24 X 12 | | 1 | |
| 6 | 996 110 654 72 | hose | | 1 | |
| 7 | 996 110 659 70 | spacer | | 1 | |
| 8 | 999 512 554 00 | hose clamp 20 X 12 | | 1 | |
| 9 | 996 110 652 70 | venturi tube | | 1 | |
| 10 | 999 512 655 09 | hose clamp 22 X 12 | | 2 | |
| 11 | 996 110 651 71 | hose | | 1 | |
| 12 | 996 110 653 71 | hose | | 1 | |
| 13 | 999 512 599 09 | hose clamp 18 X 12 | | 3 | |
| 14 | 996 110 129 72 | vent line | | 1 | |
| 15 | 996 110 147 71 | t-piece | | 1 | |
| 16 | 996 110 135 70 | valve | | 1 | |
| 17 | 999 512 585 09 | hose clamp 15 X 12 | | 2 | |
| 18 | 996 110 127 71 | vent line | | 1 | |
| 18 | 996 110 127 72 | vent line | | 1 | |
| 19 | 996 110 145 71 | vent line | | 1 | |
| -- | 996 606 113 01 | temperature sensor | | 1 | |
| -- | 996 606 013 00 | support for temperature sensor | | 1 | |
| -- | 900 378 074 09 | hexagon-head bolt m 8 x 16 | | 1 | |
| | | - - - E N D - - - | | | |

| | | | | | | | | |
|-------|------|----|----|--------------|--------------|--------|------|------------|
| Model | Year | MG | SG | Illustration | Restrictions | Update | 9:39 | 30.08.2006 |
| 997t | 07 | 1 | 07 | 107-10 | | 203 | | |

| Pos | Part Number | Name | Remarks | Qty | Model |
|-----|----------------|-------------------------------|---------|-----|-------|
| | | intake distributor | | | |
| 1 | 997 110 427 72 | intake distributor | | 2 | |
| 3 | 997 110 116 70 | intermediate piece | | 1 | |
| 4 | 997 110 685 71 | rubber sleeve | | 2 | |
| 5 | 999 512 350 02 | hose clamp 80 - 100/9 | | 4 | |
| 6 | 996 110 217 74 | cover | | 1 | |
| 7 | 997 110 685 70 | rubber sleeve | | 2 | |
| 8 | 999 512 351 02 | hose clamp 70 - 90/9 | | 4 | |
| 9 | 996 110 675 73 | support | | 1 | |
| 10 | 999 919 130 09 | hexagon-head bolt M 6 X 18 | | 2 | |
| 11 | 900 378 036 09 | hexagon-head bolt M 6 X 12 | | 3 | |
| 12 | 996 110 673 71 | support | | 1 | |
| 13 | 993 110 140 03 | vacuum tank | | 1 | |
| 14 | 999 919 115 02 | oval-head screw 5 X 12 | | 1 | |
| | | - - - E N D - - - | | | |

| | | | | | | | | | | | |
|-------|------|----|----|--------------|--------------|--------|------|------------|---------|-----|---------|
| Model | Year | MG | SG | Illustration | Restrictions | Update | 9:39 | 30.08.2006 | PORSCHE | PET | PORSCHE |
| 997t | 07 | 1 | 08 | 108-05 | | 203 | | | | | |

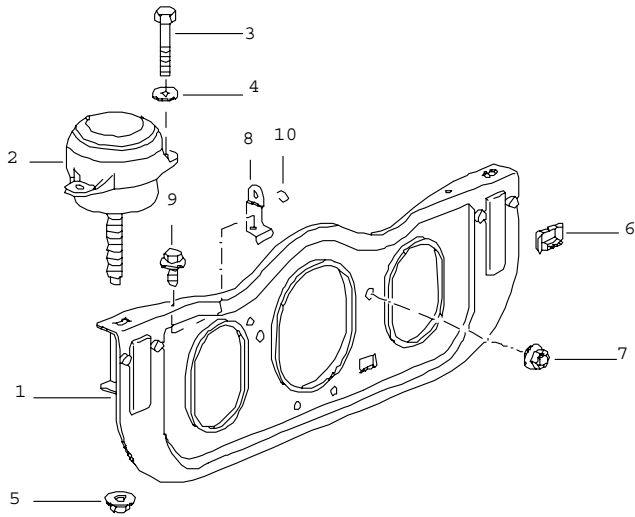


| Pos | Part Number | Name | Remarks | Qty | Model |
|-----|------------------|---------------------------------|---------|-----|-------|
| | | air injection | | | |
| 1 | N 997 605 204 00 | secondary pump | | 1 | |
| 2 | 999 209 054 02 | spacer sleeve 6,9 X 1,0 X 22 | | 3 | |
| 3 | 999 703 481 40 | rubber mounting 10 X 13,2 | | 3 | |
| 4 | 900 102 011 02 | cutting ring | | 1 | |
| 5 | 999 261 079 02 | cap screw | | 1 | |
| 6 | 900 378 177 09 | hexagon-head bolt M 6 X 30 | | 5 | |
| 7 | 996 113 275 72 | air tube | | 1 | |
| 8 | 996 113 213 71 | gasket | | 1 | |
| 9 | 900 378 030 09 | hexagon-head bolt M 6 X 20 | | 4 | |
| 10 | 993 113 258 51 | gasket | | 1 | |
| 11 | 996 113 240 74 | support | | 1 | |
| 12 | 996 113 255 72 | hose | | 1 | |
| 13 | 999 512 552 00 | hose clamp 20 - 32/9 | | 2 | |
| 14 | N 997 113 203 71 | valve | | 1 | |
| 15 | 996 110 649 71 | hose | | 1 | |
| 16 | 999 512 522 02 | clamp 9.5 - 11.5 | | 1 | |
| 17 | 996 605 123 01 | change-over valve | | 1 | |
| - | 999 652 838 40 | plug socket | | 1 | |
| - | 999 652 771 12 | connector | | 2 | |
| - | 999 704 161 40 | gasket | | 2 | |
| 18 | 928 574 717 03 | hose | | 9 | |
| 19 | 999 239 040 40 | connecting piece | | 2 | |
| 20 | 928 573 727 03 | y-piece | | 1 | I 249 |
| 21 | 964 110 950 01 | check valve | | 1 | |
| - | 000 043 205 01 | pipe 4 X 1,0 | | * | |

| | | | | | | | | | | | |
|-------|------|----|----|--------------|--------------|--------|------|------------|---------|-----|---------|
| Model | Year | MG | SG | Illustration | Restrictions | Update | 9:39 | 30.08.2006 | PORSCHE | PET | PORSCHE |
| 997t | 07 | 1 | 08 | 108-05 | | 203 | | | | | |

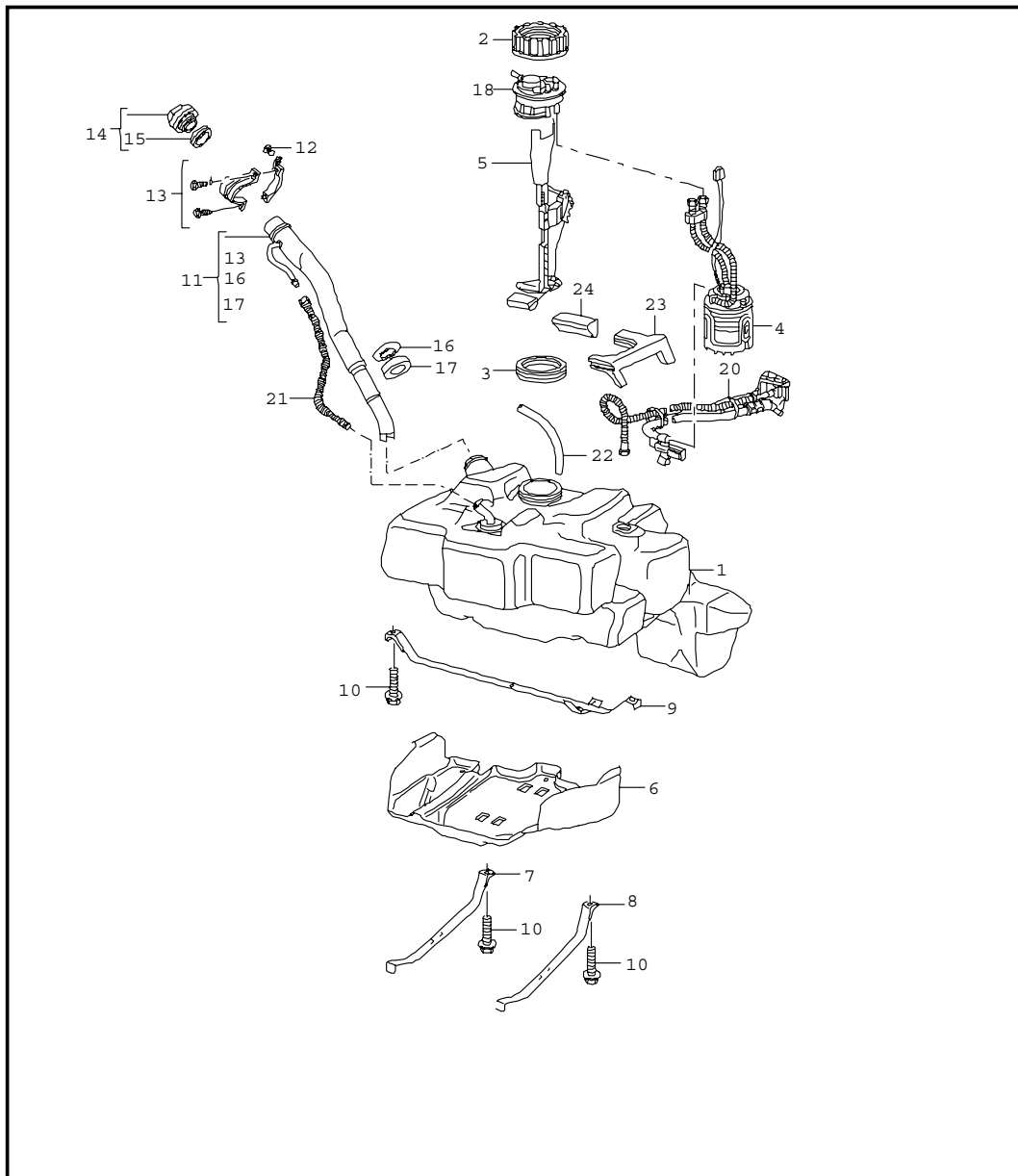
| Pos | Part Number | Name | Remarks | Qty | Model | Pos | Part Number | Name | Remarks | Qty | Model |
|-----|----------------|----------------------|---------|-----|-------|-----|-------------|------|---------|-----|-------|
| 22 | - | 230 MM | | 1 | | | | | | | |
| 23 | - | 140 MM | | 1 | | | | | | | |
| 24 | - | 460 MM | | 1 | | | | | | | |
| 25 | - | 1100 MM | | 1 | I 249 | | | | | | |
| - | 900 918 005 40 | pipe 5 X 1,0 | | * | | | | | | | |
| 26 | - | 245 MM | | 1 | | | | | | | |
| 27 | - | 140 MM | | 2 | | | | | | | |
| 28 | - | 300 MM | | 1 | | | | | | | |
| 29 | - | 190 MM | | 1 | | | | | | | |
| 30 | 928 573 729 03 | distributing piece | | 1 | | | | | | | |
| 31 | 996 110 695 70 | hose | | 3 | | | | | | | |
| 32 | 999 512 622 02 | clamp 11.8 - 13.8 | | 3 | | | | | | | |
| 33 | 999 137 005 40 | t-piece | | 1 | | | | | | | |
| 34 | 996 110 697 71 | hose | | 1 | | | | | | | |
| 35 | 996 110 697 72 | hose | | 1 | | | | | | | |
| 36 | 999 512 527 00 | clamp 8.5 - 10.0 | | 2 | | | | | | | |
| - | 900 926 019 40 | hose | | * | | | | | | | |
| 37 | - | 780 MM | | 2 | | | | | | | |
| 38 | 996 110 656 70 | control line | | 1 | | | | | | | |
| 39 | 999 507 544 40 | cable holder | | 1 | | | | | | | |
| 40 | 996 110 666 70 | hose | | 1 | | | | | | | |
| 41 | 996 110 658 70 | hose | | 1 | | | | | | | |
| 42 | 996 110 650 71 | vent line | | 1 | | | | | | | |
| 43 | 999 507 658 09 | cable holder | | 2 | | | | | | | |
| 44 | 996 605 155 00 | cycle valve | | 1 | | | | | | | |
| 45 | 996 605 165 00 | change-over valve | | 1 | | | | | | | |
| | | - - - E N D - - - | | | | | | | | | |

| | | | | | | | | | | | |
|-------|------|----|----|--------------|--------------|--------|------|------------|---------|-----|---------|
| Model | Year | MG | SG | Illustration | Restrictions | Update | 9:40 | 30.08.2006 | PORSCHE | PET | PORSCHE |
| 997t | 07 | 1 | 09 | 109-00 | | 203 | | | | | |



| Pos | Part Number | Name | Remarks | Qty | Model |
|-----|----------------|--------------------------------|---------|-----|-------|
| | | engine suspension | | | |
| 1 | 996 375 013 00 | engine carrier | | 1 | |
| 2 | 997 375 049 04 | engine mounting | | 2 | |
| 3 | 900 378 056 02 | hexagon-head bolt AM 8 X 60 | | 6 | |
| 4 | 999 025 134 02 | washer 8,4 X 21 3,0 | | 4 | |
| 5 | 999 084 215 09 | hexagon nut V M 12 X 1,5 | | 2 | |
| 6 | 900 378 065 09 | hexagon-head bolt M 10 X 70 | | 4 | |
| 7 | 996 106 293 91 | support | | 2 | |
| 8 | 996 375 221 01 | adapater | | 2 | |
| | | - - - E N D - - - | | | |

| | | | | | | | | | | | |
|-------|------|----|----|--------------|--------------|--------|------|------------|---------|-----|---------|
| Model | Year | MG | SG | Illustration | Restrictions | Update | 9:40 | 30.08.2006 | PORSCHE | PET | PORSCHE |
| 997t | 07 | 2 | 01 | 201-00 | | 203 | | | | | |

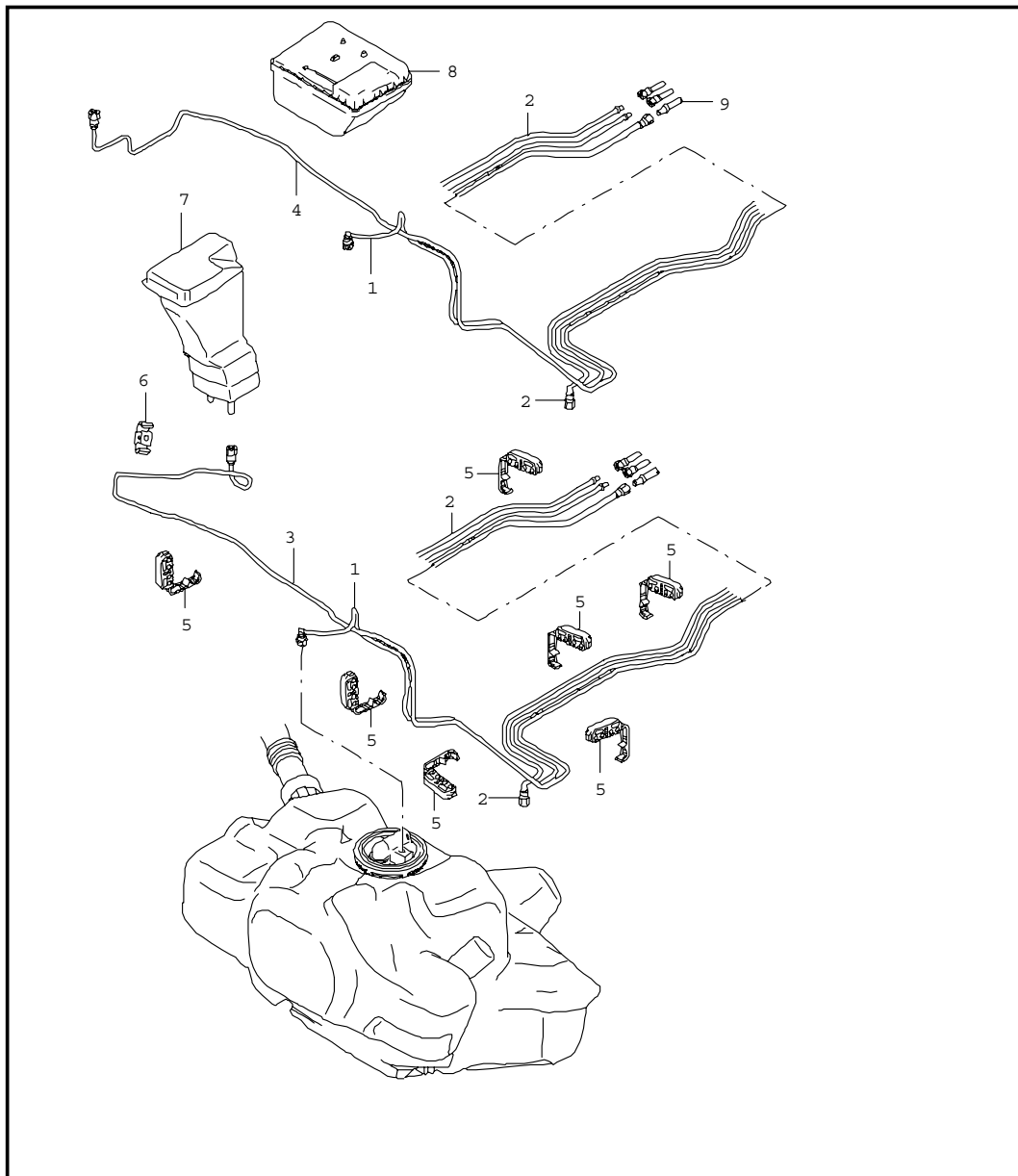


| Pos | Part Number | Name | Remarks | Qty | Model |
|------|------------------|---------------------------|---------|-----|--------------|
| | | fuel tank | | | |
| 1 | 997 201 021 03 | fuel tank | /LL | 1 | I098 |
| (1) | 997 201 022 02 | fuel tank | /RL | 1 | I099 |
| 2 | 997 201 623 00 | union nut | | 1 | |
| 3 | 997 201 733 00 | sealing ring | | 1 | |
| 4 | N 997 620 127 00 | fuel pump | | 1 | |
| 5 | 997 620 833 00 | tank gauge without flange | | 1 | |
| 6 | 997 201 331 00 | protective plate | | 1 | |
| 7 | 997 201 106 00 | restraining strap right | | 1 | |
| 8 | 997 201 105 00 | restraining strap left | | 1 | |
| 9 | 997 201 107 00 | restraining strap | | 1 | |
| 10 | 900 075 479 09 | screw M 8 X 40 | | 4 | |
| 11 | 997 201 043 12 | filler neck | | 1 | |
| (11) | 997 201 043 10 | filler neck | | 1 | I 150 /I 193 |
| 12 | 999 073 348 09 | oval-head screw | | 1 | |
| 13 | 997 201 951 02 | support | | 1 | |
| 14 | 996 201 241 03 | fuel tank cap with clip | | 1 | |
| - | 999 507 499 40 | expansion rivet | | 1 | |
| 15 | 191 201 557 | gasket | | 1 | |
| 16 | 996 201 755 00 | support washer | | 1 | |
| 17 | 996 201 753 00 | gasket | | 1 | |
| 18 | 997 201 421 01 | flange for tank gauge | | 1 | |
| 20 | 997 620 114 00 | venturi tube | | 1 | |

| | | | | | | | | | | | |
|-------|------|----|----|--------------|--------------|--------|------|------------|---------|-----|---------|
| Model | Year | MG | SG | Illustration | Restrictions | Update | 9:40 | 30.08.2006 | PORSCHE | PET | PORSCHE |
| 997t | 07 | 2 | 01 | 201-00 | | 203 | | | | | |

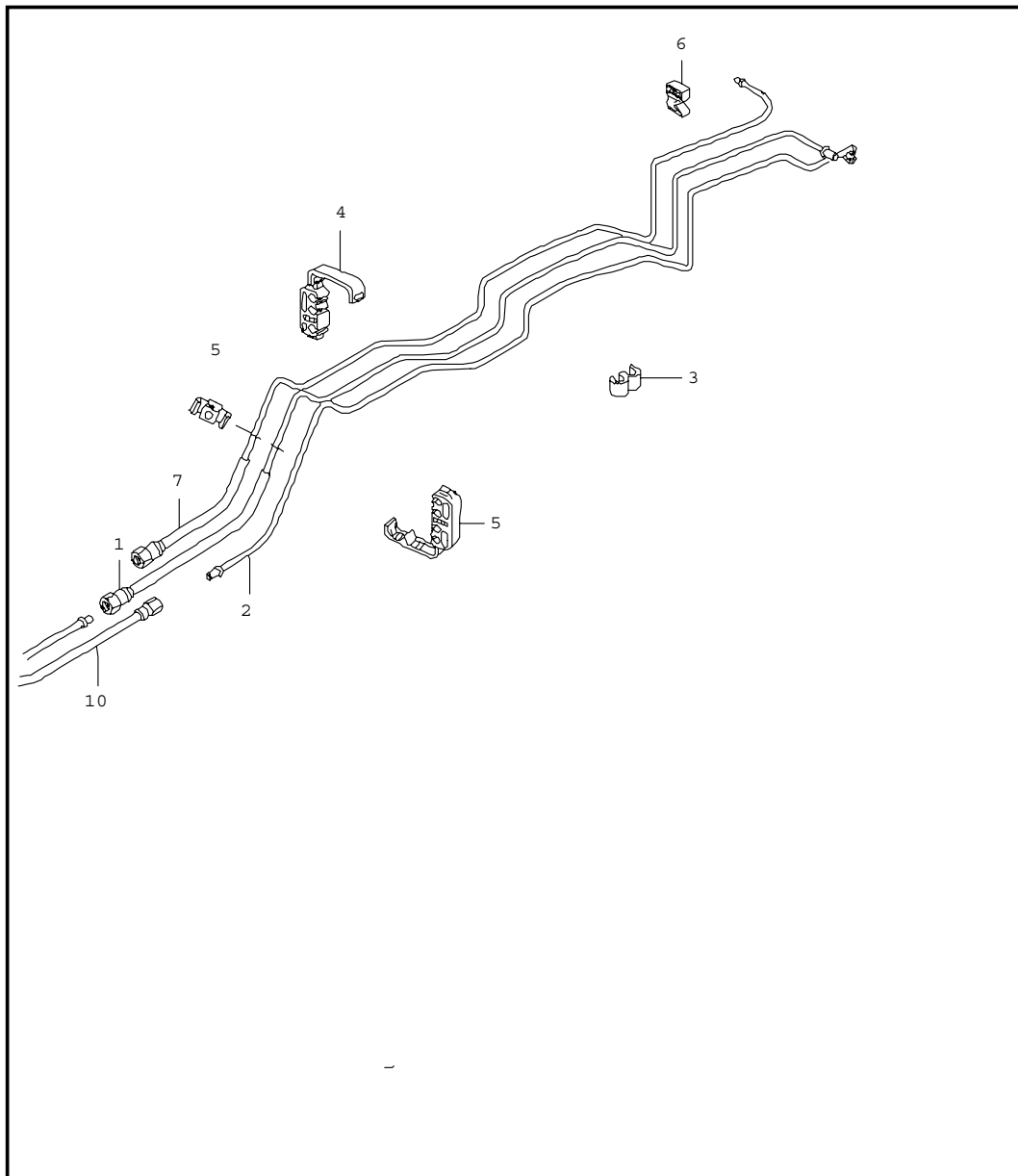
| Pos | Part Number | Name | Remarks | Qty | Model | Pos | Part Number | Name | Remarks | Qty | Model |
|------|----------------|---|---------|-----|-------|-----|-------------|------|---------|-----|-------|
| 21 | 996 201 613 00 | vent line fuel tank to filler neck | /RL | 1 | I099 | | | | | | |
| (21) | 997 201 711 00 | vent line fuel tank to filler neck | /LL | 1 | I098 | | | | | | |
| (22) | 997 201 721 00 | vent line in-tank fuel pump to inner pipe | | 1 | | | | | | | |
| | | - - - E N D - - - | | | | | | | | | |

| | | | | | | | | | | | |
|-------|------|----|----|--------------|--------------|--------|------|------------|---------|-----|---------|
| Model | Year | MG | SG | Illustration | Restrictions | Update | 9:40 | 30.08.2006 | PORSCHE | PET | PORSCHE |
| 997t | 07 | 2 | 01 | 201-05 | | 203 | | | | | |



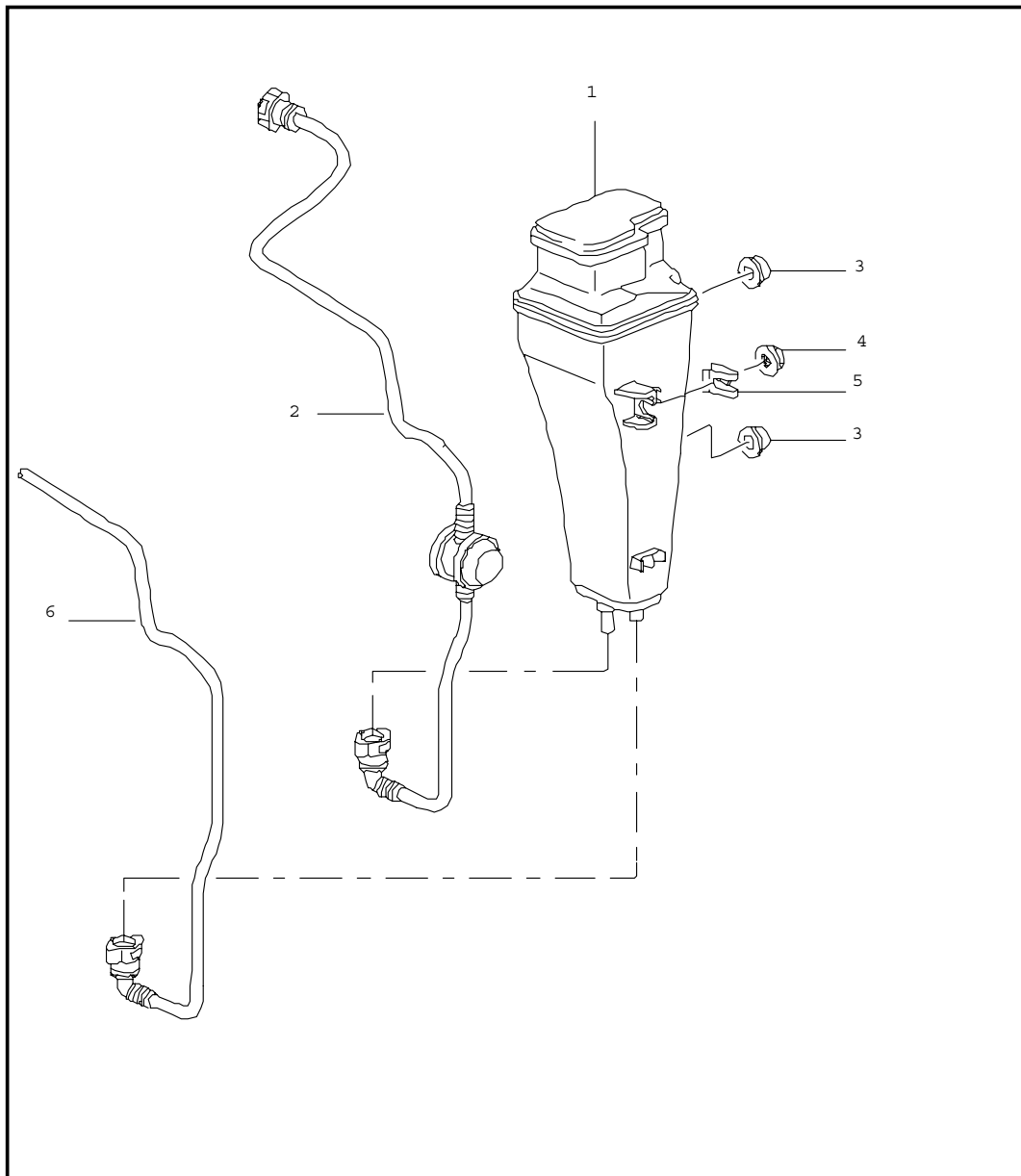
| Pos | Part Number | Name | Remarks | Qty | Model |
|-----|----------------|--|---------|-----|-------|
| 1 | 997 201 261 03 | fuel system front fuel line front fuel pump for engine | | 1 | |
| 2 | 997 201 271 00 | return line | | 1 | |
| 3 | 997 201 351 02 | vent line front carbon canister for engine | | 1 | |
| 5 | 999 507 521 40 | cable holder 8,0/8/10 | | 8 | |
| 6 | 999 507 727 40 | cable holder 8,0/10,0 | | 1 | |
| - | 999 507 488 40 | cable holder 5,00/10,0 | | 4 | |
| - | 999 591 897 40 | connection piece | | 1 | |
| 7 | --- | carbon canister see illustrations 201-20 | | 1 | |
| 9 | --- | lines rear see illustrations 201-10 | | 1 | |
| | | - - - E N D - - - | | | |

| | | | | | | | | | | | |
|-------|------|----|----|--------------|--------------|--------|------|------------|---------|-----|---------|
| Model | Year | MG | SG | Illustration | Restrictions | Update | 9:40 | 30.08.2006 | PORSCHE | PET | PORSCHE |
| 997t | 07 | 2 | 01 | 201-10 | | 203 | | | | | |



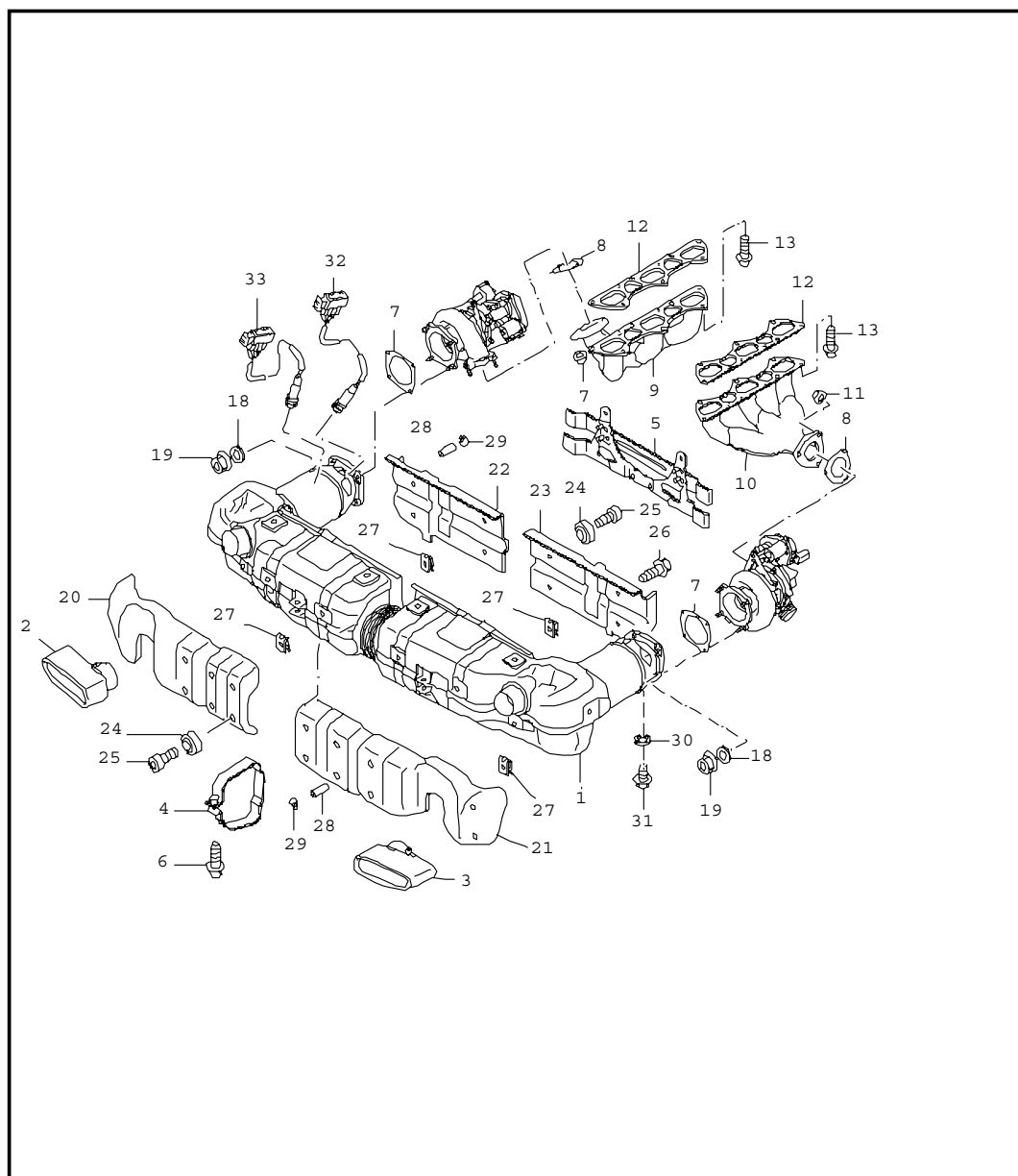
| Pos | Part Number | Name | Remarks | Qty | Model |
|-------------------|----------------|--|---------|-----|-------|
| 1 | 997 201 265 01 | fuel system rear pressure line rear fuel pump for engine | | 1 | |
| 2 | 997 201 355 01 | purge-air line rear carbon canister for engine | | 1 | |
| (3) | 999 507 488 40 | cable holder 5,00/10,0 | | 4 | |
| (4) | 999 507 521 40 | cable holder 8,0/8/10 | | 1 | |
| (5) | 999 507 740 40 | support 8/8/8/10 | | 1 | |
| 6 | 999 591 922 40 | support | | 2 | |
| 7 | 997 201 275 00 | return line | | 1 | |
| - | 999 507 727 40 | cable holder 8,0/10,0 | | 3 | |
| - | 999 507 833 40 | support 15/8/10/8 | | 1 | |
| - | 999 507 850 40 | support 8,00 - 15,00 | | 1 | |
| 10 | --- | lines front see illustrations 201-05 | | 1 | |
| - - - E N D - - - | | | | | |

| | | | | | | | | | | | |
|-------|------|----|----|--------------|--------------|--------|------|------------|---------|-----|---------|
| Model | Year | MG | SG | Illustration | Restrictions | Update | 9:40 | 30.08.2006 | PORSCHE | PET | PORSCHE |
| 997t | 07 | 2 | 01 | 201-20 | | 203 | | | | | |



| Pos | Part Number | Name | Remarks | Qty | Model |
|-----|----------------|---|---------|-----|-------|
| | | carbon canister | | | |
| 1 | 997 201 221 01 | carbon canister complete | | 1 | |
| 2 | 997 201 251 01 | vent line fuel tank for carbon canister | | 1 | |
| 3 | 999 702 221 40 | grommet | | 2 | |
| 4 | 999 084 629 09 | hexagon nut M 6 | | 1 | |
| 5 | 999 507 543 02 | clamp 2,00 - 3,00 | | 1 | |
| 6 | --- | purge-air line front see illustrations 201-05 | | 1 | |
| - | 999 703 464 40 | grommet | | 1 | |
| - | 999 591 897 40 | connection piece | | 1 | |
| | | - - - E N D - - - | | | |

| | | | | | | | | | | | |
|-------|------|----|----|--------------|--------------|--------|------|------------|---------|-----|---------|
| Model | Year | MG | SG | Illustration | Restrictions | Update | 9:41 | 30.08.2006 | PORSCHE | PET | PORSCHE |
| 997t | 07 | 2 | 02 | 202-00 | | 203 | | | | | |

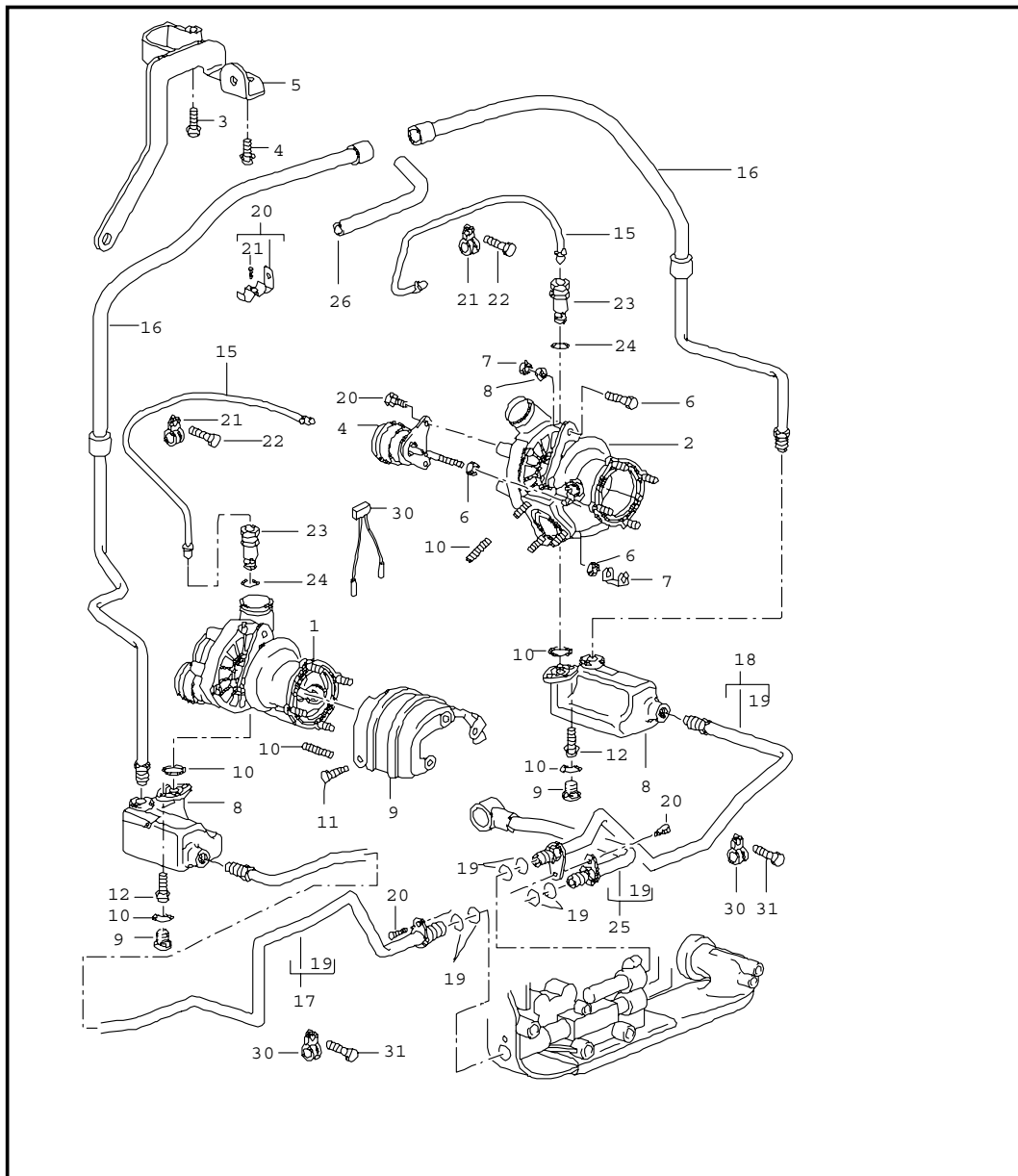


| Pos | Part Number | Name | Remarks | Qty | Model |
|-----|----------------|--|---------|-----|--------|
| | | exhaust system with heat protection | | | M97.70 |
| 1 | 997 111 027 72 | main exhaust muffler | | 1 | |
| 2 | 997 111 251 01 | tail pipe | /L | 1 | |
| 2 | 997 111 251 02 | tail pipe chrome | /L | 1 | |
| 3 | 997 111 252 01 | tail pipe | /R | 1 | |
| 3 | 997 111 252 02 | tail pipe chrome | /R | 1 | |
| 4 | 997 111 119 70 | restraining strap | | 2 | |
| 5 | 996 111 024 71 | support muffler | | 1 | |
| 6 | 900 067 362 01 | pan-head screw AM8 x 50 | | 2 | |
| 7 | 997 111 217 70 | gasket turbocharger muffler | | 2 | |
| 8 | 997 111 215 70 | gasket exhaust manifold turbocharger | | 2 | |
| 9 | 996 111 101 76 | exhaust manifold cyl. 1 - 3 | /L | 1 | |
| 10 | 996 111 102 76 | exhaust manifold cyl. 4 - 6 | /R | 1 | |
| 11 | 999 084 052 02 | lock nut M8 | | 6 | |
| 12 | 996 111 107 71 | gasket exhaust manifold | | 2 | |
| 13 | 900 378 227 01 | hexagon-head bolt AM8 x 28 exhaust manifold cylinder head | | 18 | |
| 18 | 900 031 032 02 | washer 8,4 | | 8 | |
| 19 | 999 084 052 02 | lock nut M8 | | 8 | |
| 20 | 997 111 204 71 | cover plate cyl. 1 - 3 | /L | 1 | |

| | | | | | | | | | | | |
|-------|------|----|----|--------------|--------------|--------|------|------------|---------|-----|---------|
| Model | Year | MG | SG | Illustration | Restrictions | Update | 9:41 | 30.08.2006 | PORSCHE | PET | PORSCHE |
| 997t | 07 | 2 | 02 | 202-00 | | 203 | | | | | |

| Pos | Part Number | Name | Remarks | Qty | Model | Pos | Part Number | Name | Remarks | Qty | Model |
|-----|----------------|---|---------|-----|-------|-----|----------------|---|---------|-----|-------|
| 21 | 997 111 205 71 | cover plate cyl. 4 - 6 | /R | 1 | | 54 | 999 651 122 01 | cable holder 7,0 11,0 line oxygen sensor | | 1 | |
| 22 | 996 111 207 72 | cover plate engine carrier cyl. 1 - 3 | /L | 1 | | | | | | | |
| 23 | 996 111 208 72 | cover plate engine carrier cyl. 4 - 6 | /R | 1 | | 55 | 997 606 151 01 | cable holder line oxygen sensor | | 2 | |
| 24 | 996 111 283 70 | shim | | 20 | | 56 | 997 606 107 01 | support connector oxygen sensor | | 2 | |
| 25 | 900 119 001 00 | pan-head screw M5 x 12 | | 18 | | | | - - - E N D - - - | | | |
| 26 | 996 111 212 70 | hexagon-head bolt | | 2 | | | | | | | |
| 27 | 999 591 905 00 | speed nut | | 20 | | | | | | | |
| 28 | 996 111 281 70 | sleeve | | 20 | | | | | | | |
| 29 | 900 234 029 00 | shim 9 x 15 x 1,0 | | 20 | | | | | | | |
| 30 | 900 123 050 20 | sealing ring 8 x 11,5 | | 2 | | | | | | | |
| 31 | 900 124 021 01 | screw plug CM8 x 1 | | 2 | | | | | | | |
| 40 | 997 606 128 02 | oxygen sensor in front of | | 2 | | | | | | | |
| 41 | 997 606 138 01 | oxygen sensor after catalytic converter | | 2 | | | | | | | |
| 50 | 997 606 169 02 | support line oxygen sensor left | | 1 | | | | | | | |
| 51 | 997 606 167 00 | support line oxygen sensor right | | 1 | | | | | | | |
| 52 | 999 651 394 40 | cable holder 6,0 line | | 2 | | | | | | | |
| 53 | 999 651 392 07 | cable holder 9,5 - 10,5 line oxygen sensor | | 3 | | | | | | | |

| | | | | | | | | | | | |
|-------|------|----|----|--------------|--------------|--------|------|------------|---------|-----|---------|
| Model | Year | MG | SG | Illustration | Restrictions | Update | 9:41 | 30.08.2006 | PORSCHE | PET | PORSCHE |
| 997t | 07 | 2 | 02 | 202-05 | | 203 | | | | | |

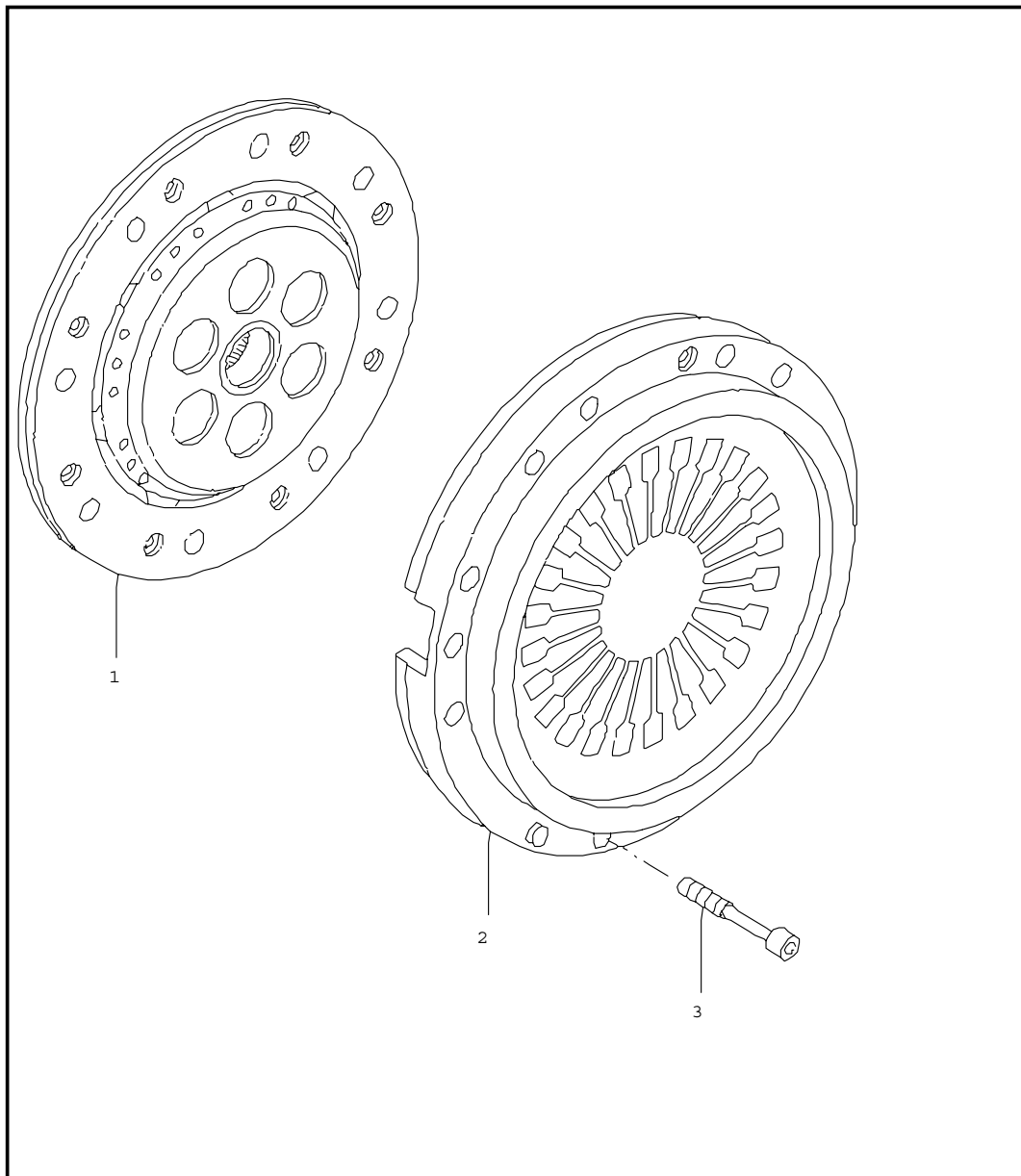


| Pos | Part Number | Name | Remarks | Qty | Model |
|-----|----------------|--|---------|-----|--------|
| | | turbocharger with heat protection and oil pipe | | | M97.70 |
| 1 | 997 123 013 72 | turbocharger left | | 1 | |
| 2 | 997 123 014 72 | turbocharger right | | 1 | |
| 3 | 900 385 042 01 | torx screw BM8 x 35 bracket to camshaft housing | | 2 | |
| 4 | 900 385 001 01 | torx screw BM8 x 20 bracket to camshaft housing | | 2 | |
| 5 | 997 111 213 75 | bracket turbocharger left | | 1 | |
| (5) | 997 111 214 76 | bracket turbocharger right | | 1 | |
| 6 | 900 385 044 01 | torx screw BM8 X 16 | | 2 | |
| 7 | 999 084 052 02 | lock nut M8 | | 2 | |
| 8 | 900 336 005 00 | washer 8,4 | | 2 | |
| 9 | 997 123 215 71 | cover plate cyl. 1 - 3 | /L | 1 | |
| (9) | 997 123 216 71 | cover plate cyl. 4 - 6 | /R | 1 | |
| 10 | 900 081 059 00 | stud turbocharger to exhaust manifold or muffler | | 14 | |
| 11 | 900 385 041 01 | screw BM6 x 12 mount cover plate | | 2 | |

| | | | | | | | | | | | |
|-------|------|----|----|--------------|--------------|--------|------|------------|---------|-----|---------|
| Model | Year | MG | SG | Illustration | Restrictions | Update | 9:41 | 30.08.2006 | PORSCHE | PET | PORSCHE |
| 997t | 07 | 2 | 02 | 202-05 | | 203 | | | | | |

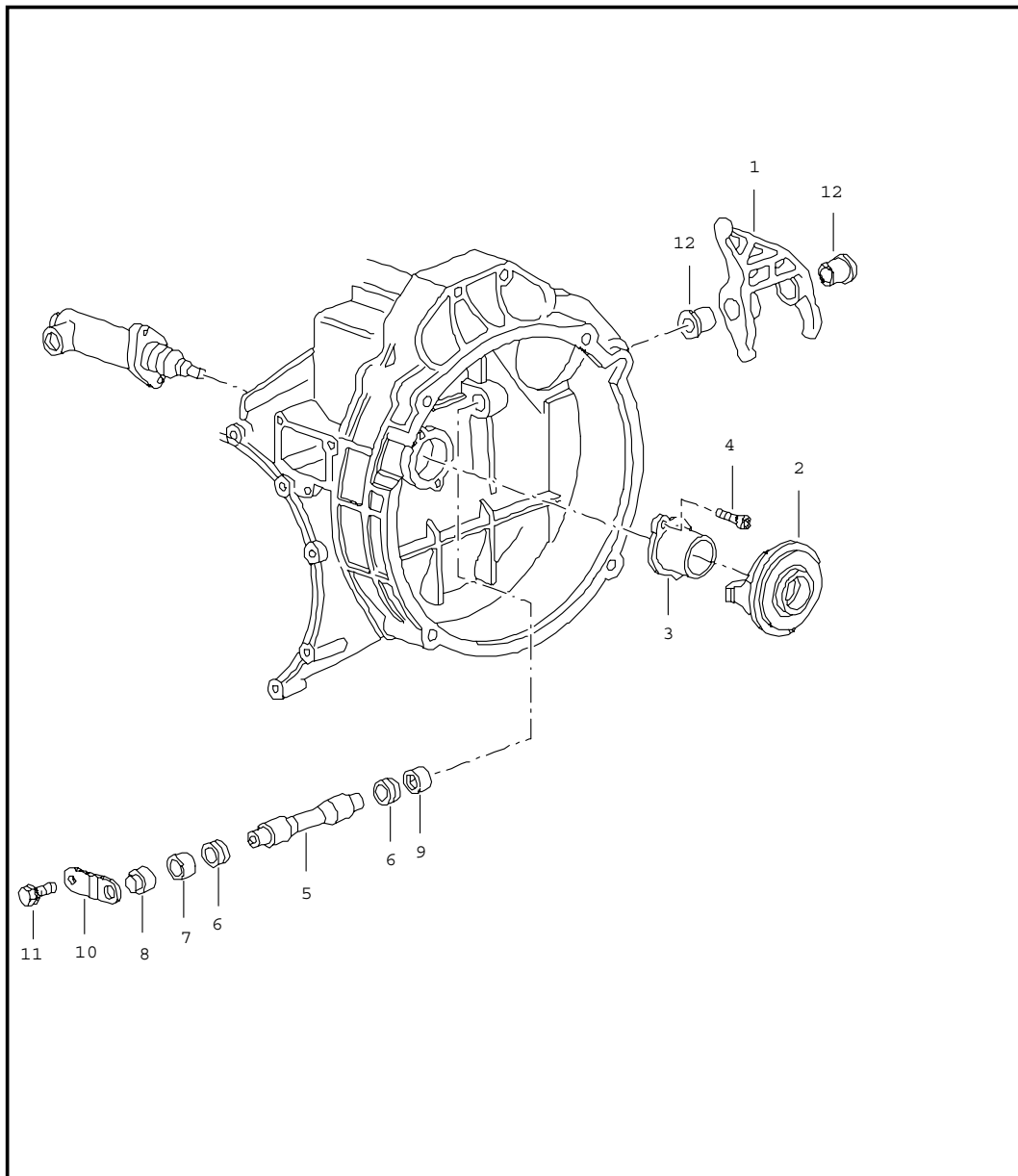
| Pos | Part Number | Name | Remarks | Qty | Model | Pos | Part Number | Name | Remarks | Qty | Model |
|------|----------------|----------------------------------|---------|-----|-------|-----|-------------|------|---------|-----|-------|
| 20 | 997 106 045 70 | support cyl. 1 - 3 | /L | 1 | | | | | | | |
| (20) | 997 106 046 70 | support cyl. 4 - 6 | /R | 1 | | | | | | | |
| 21 | 900 146 055 01 | round head screw M4 x 25 | | 2 | | | | | | | |
| 30 | 997 606 250 00 | sensor temperature monitoring | | 1 | | | | | | | |
| 40 | 997 606 105 00 | protective plate | | 1 | | | | | | | |
| | | - - - E N D - - - | | | | | | | | | |

| | | | | | | | | | | | |
|-------|------|----|----|--------------|--------------|--------|------|------------|---------|-----|---------|
| Model | Year | MG | SG | Illustration | Restrictions | Update | 9:41 | 30.08.2006 | PORSCHE | PET | PORSCHE |
| 997t | 07 | 3 | 01 | 301-00 | | 203 | | | | | |



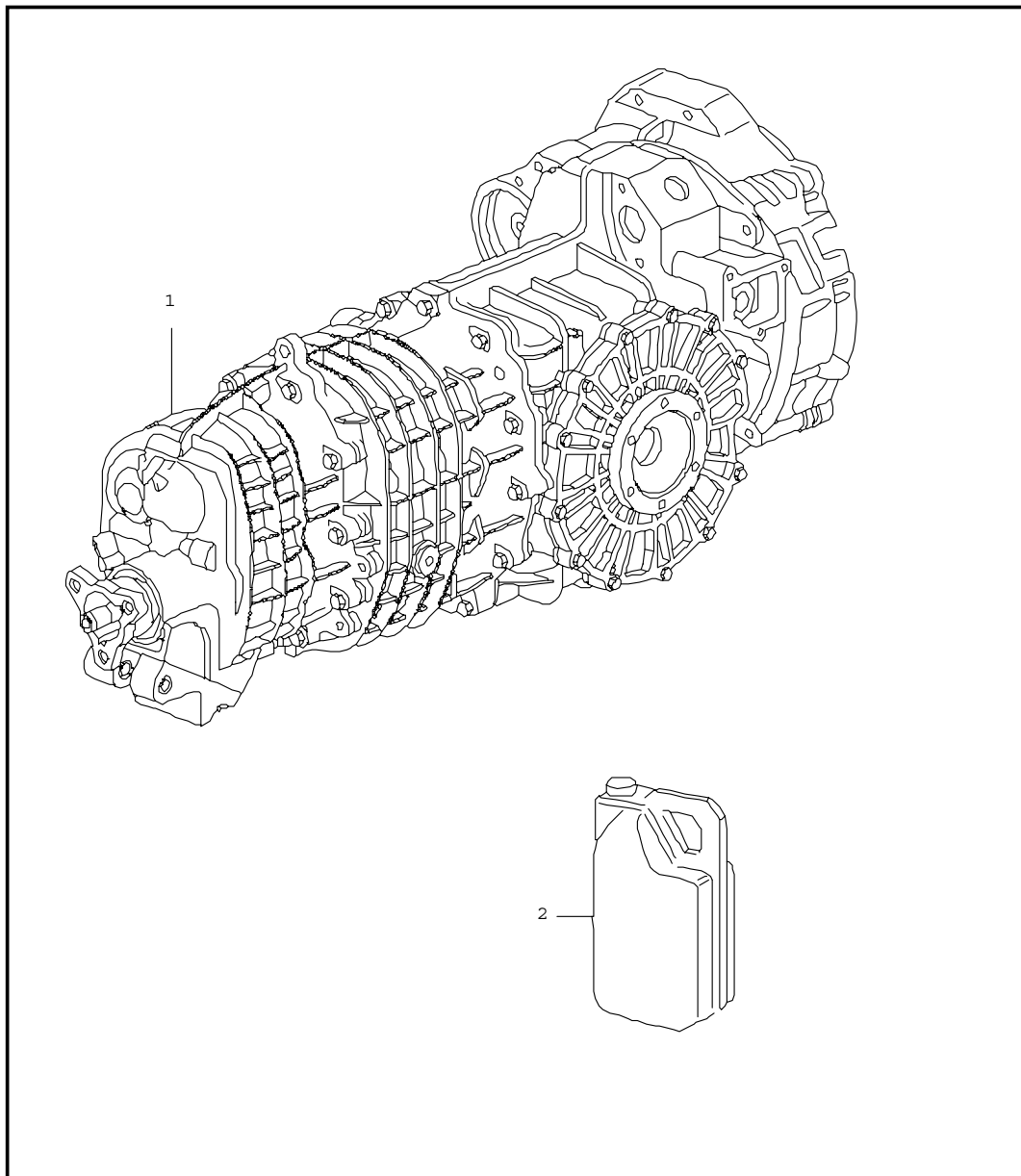
| Pos | Part Number | Name | Remarks | Qty | Model |
|-------------------|----------------|----------------------------|---------|-----|--------|
| | | clutch | | | M97.70 |
| 1 | 997 116 013 50 | clutch plate | | 1 | |
| 2 | 996 116 027 51 | pressure plate | | 1 | |
| 3 | 999 510 015 02 | pan-head screw M 8 X 40 | | 9 | |
| - - - E N D - - - | | | | | |

| | | | | | | | | | | | |
|-------|------|----|----|--------------|--------------|--------|------|------------|---------|-----|---------|
| Model | Year | MG | SG | Illustration | Restrictions | Update | 9:41 | 30.08.2006 | PORSCHE | PET | PORSCHE |
| 997t | 07 | 3 | 01 | 301-05 | | 203 | | | | | |



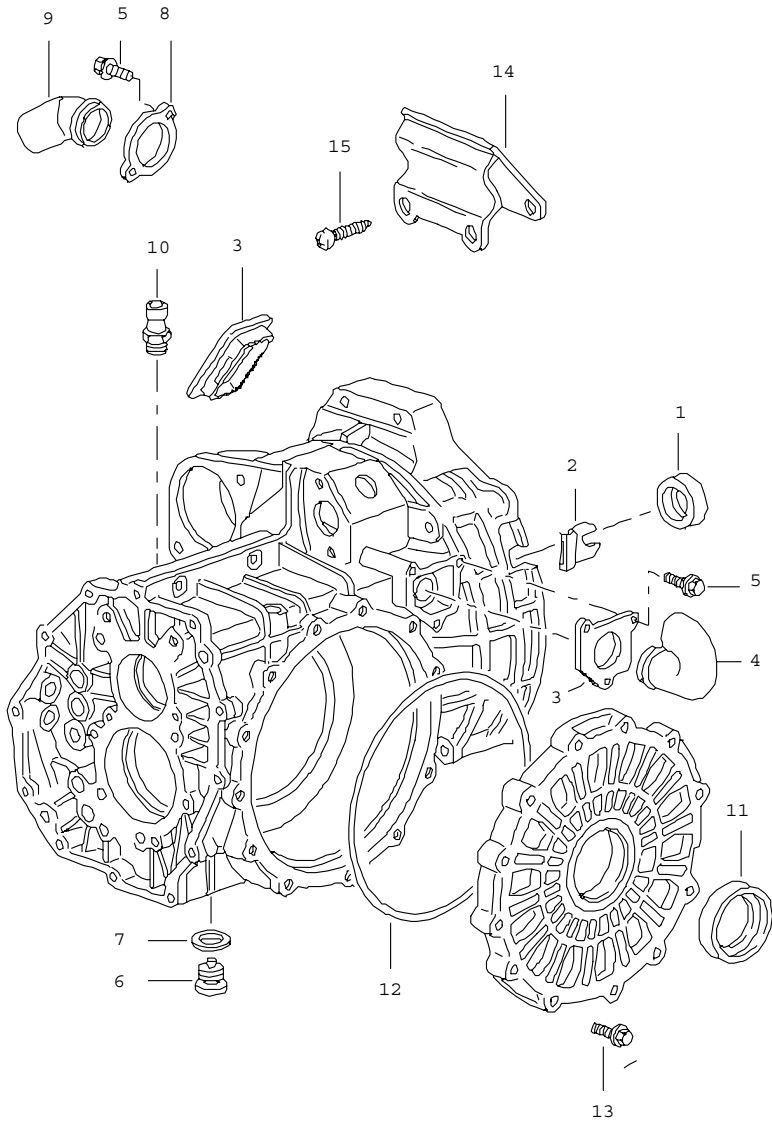
| Pos | Part Number | Name | Remarks | Qty | Model |
|-----|----------------|---|---------|-----|--------|
| | | clutch release clutch operating cylinder see group 7/02/08 | | | G97.50 |
| 1 | 996 116 712 51 | clutch release lever | | 1 | |
| 2 | 950 116 080 08 | clutch release bearing | | 1 | |
| 3 | 950 116 813 06 | guide tube | | 1 | |
| 4 | 999 270 070 02 | oval-head screw M 6 X 14 | | 2 | |
| 5 | 950 116 710 04 | operating shaft | | 1 | |
| 6 | 999 113 418 40 | gasket 13,02 X 16,4 | | 2 | |
| 7 | 999 201 339 00 | bush | | 1 | |
| 8 | 950 116 725 00 | cover | | 1 | |
| 9 | 999 201 365 00 | bush | | 1 | |
| 10 | 950 116 713 02 | retaining bracket | | 1 | |
| 11 | 900 075 057 02 | hexagon-head bolt M 6 X 16 | | 1 | |
| 12 | 950 116 715 01 | bush | | 2 | |
| | | - - - E N D - - - | | | |

| | | | | | | | | | | | |
|-------|------|----|----|--------------|--------------|--------|------|------------|---------|-----|---------|
| Model | Year | MG | SG | Illustration | Restrictions | Update | 9:42 | 30.08.2006 | PORSCHE | PET | PORSCHE |
| 997t | 07 | 3 | 02 | 302-00 | | 203 | | | | | |



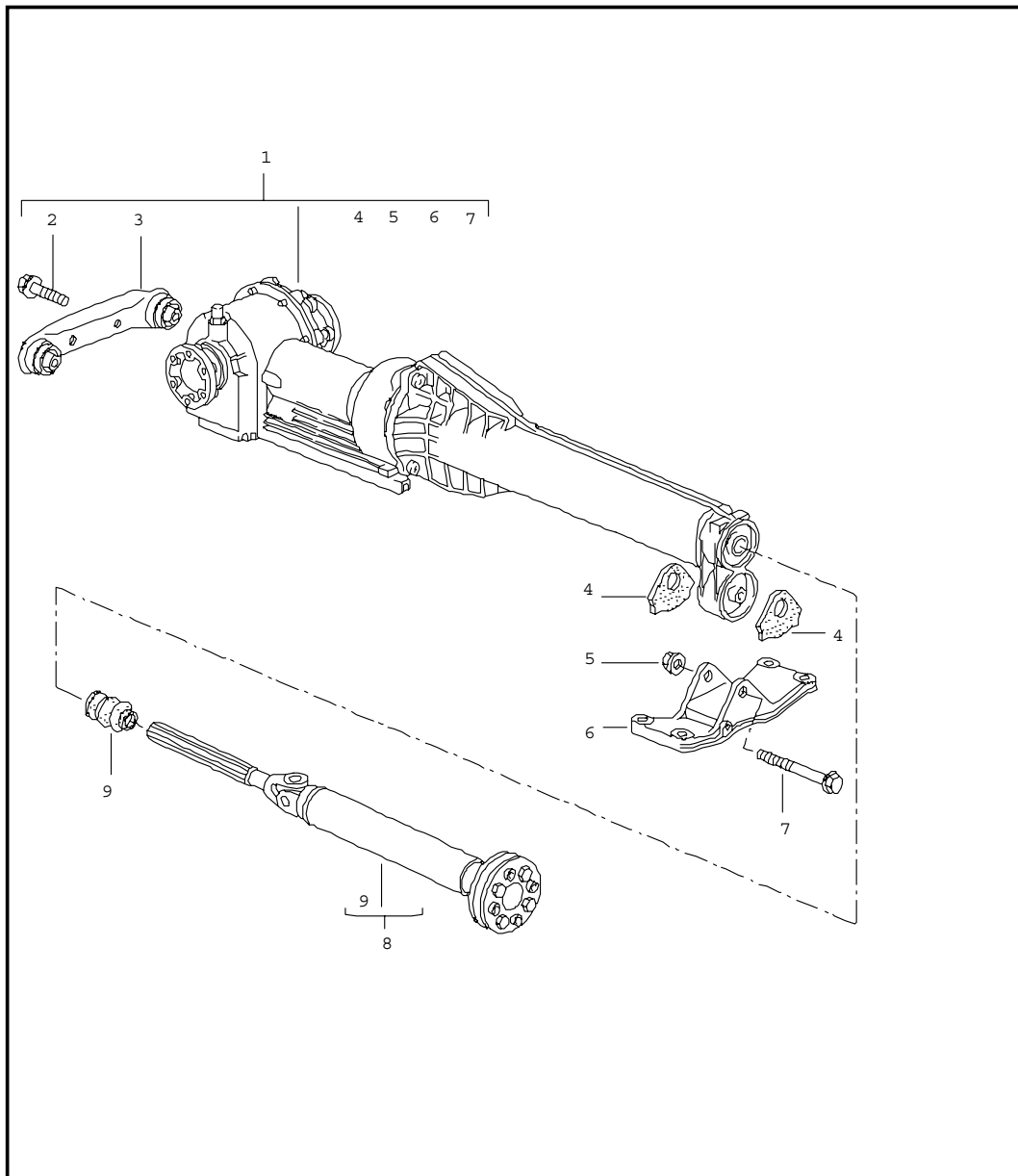
| Pos | Part Number | Name | Remarks | Qty | Model |
|-------------------|----------------|---|---------|-----|-----------------|
| | | replacement transmission ready for installation | | | G97.50 |
| 1 | 997 300 010 50 | manual transmission without limited-slip differential | | 1 | G97.50 I 219 |
| 1 | 997 300 020 50 | manual transmission with limited-slip differential | | 1 | G97.50 I 220 |
| 2 | 000 043 204 20 | transmission oil MOBILUBE PTX 75 W 90 GEBINDE 20 LTR. | | X | |
| - - - E N D - - - | | | | | |

| | | | | | | | | | | | |
|-------|------|----|----|--------------|--------------|--------|------|------------|---------|-----|---------|
| Model | Year | MG | SG | Illustration | Restrictions | Update | 9:42 | 30.08.2006 | PORSCHE | PET | PORSCHE |
| 997t | 07 | 3 | 02 | 302-01 | | 203 | | | | | |



| Pos | Part Number | Name | Remarks | Qty | Model |
|-----|----------------|---|---------|-----|--------|
| | | transmission case | | | G97.50 |
| 1 | 999 113 326 41 | shaft seal 26,5 X 40 | | 1 | |
| 2 | 993 116 630 00 | cap | | 1 | |
| 3 | 996 116 612 00 | flange | | 1 | |
| 4 | 993 116 610 00 | intake manifold | | 1 | |
| 5 | 900 378 035 09 | hexagon-head bolt M 6 X 16 | | 5 | |
| 6 | 999 063 008 02 | screw plug with magnet M 22 X 1,5 | | 1 | |
| 7 | 900 123 118 30 | sealing ring | | 1 | |
| 8 | 996 116 710 00 | flange socket | | 1 | |
| 9 | 993 116 610 00 | intake manifold | | 1 | |
| 10 | 996 301 071 00 | bleeder 17 X 12 X 28,1 | | 1 | |
| 11 | 999 113 347 40 | shaft seal 48 X 68 X 10 | | 2 | |
| 12 | 999 707 328 40 | o-ring 205 X 3,5 | | 1 | |
| 13 | 996 301 317 00 | hexagon-head bolt M 8 X 35 | | 12 | |
| 14 | 996 449 101 50 | hook | | 1 | |
| 15 | 999 073 190 09 | oval-head screw M 8 X 60 | | 2 | |
| -- | 997 332 209 51 | joint flange | | 2 | |
| | | - - - E N D - - - | | | |

| | | | | | | | | | | | |
|-------|------|----|----|--------------|--------------|--------|------|------------|---------|-----|---------|
| Model | Year | MG | SG | Illustration | Restrictions | Update | 9:42 | 30.08.2006 | PORSCHE | PET | PORSCHE |
| 997t | 07 | 3 | 05 | 305-10 | | 203 | | | | | |

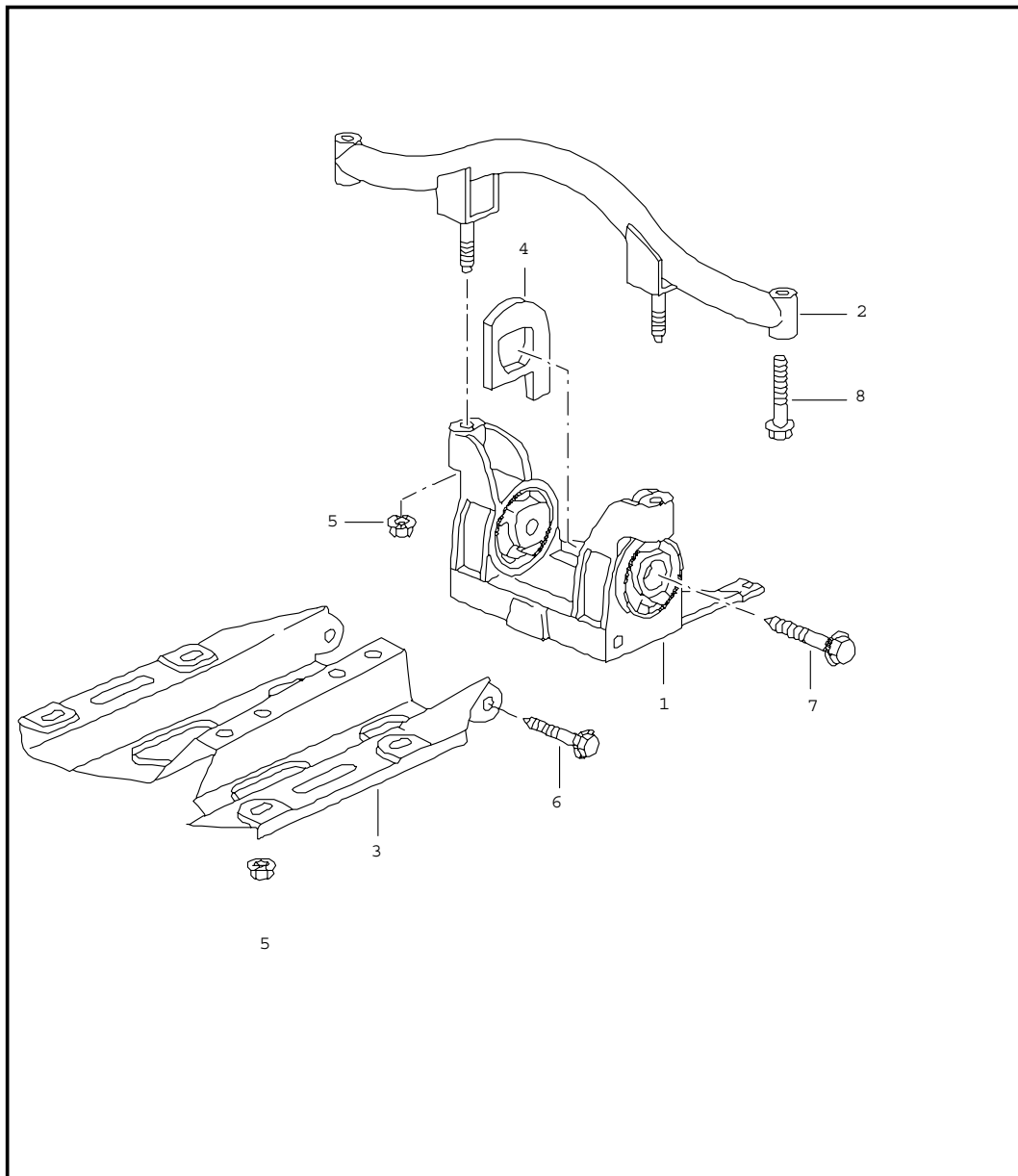


| Pos | Part Number | Name | Remarks | Qty | Model |
|-----|----------------|--|---------|-----|--------|
| | | front-axle final drive cardan shaft | | | Z97.00 |
| 1 | 997 349 020 50 | front-axle final drive ready for installation | | 1 | |
| 2 | 999 072 034 09 | conical screw M 10 X 28 | | 2 | |
| 3 | 996 375 034 00 | transmission carrier front | | 1 | |
| 4 | 996 375 257 01 | stop | | 2 | |
| 5 | 900 380 008 09 | hexagon nut M 10 | | 1 | |
| 6 | 996 375 343 03 | transmission carrier rear | | 1 | |
| 7 | 900 378 142 09 | hexagon-head bolt M 10 X 90 | | 1 | |
| 8 | 996 421 020 50 | cardan shaft | | 1 | |
| 9 | 996 421 145 01 | boot | | 1 | |
| 10 | 996 375 054 02 | transmission mounting rear | | 1 | |
| -- | 999 061 105 09 | stud M 10 X 90 | | 2 | |
| -- | 900 380 008 09 | hexagon nut M 10 mount front-axle final drive cross member | | 2 | |
| | | - - - E N D - - - | | | |

| | | | | | | | | |
|-------|------|----|----|--------------|--------------|--------|------|------------|
| Model | Year | MG | SG | Illustration | Restrictions | Update | 9:42 | 30.08.2006 |
| 997t | 07 | 3 | 05 | 305-15 | | 203 | | |

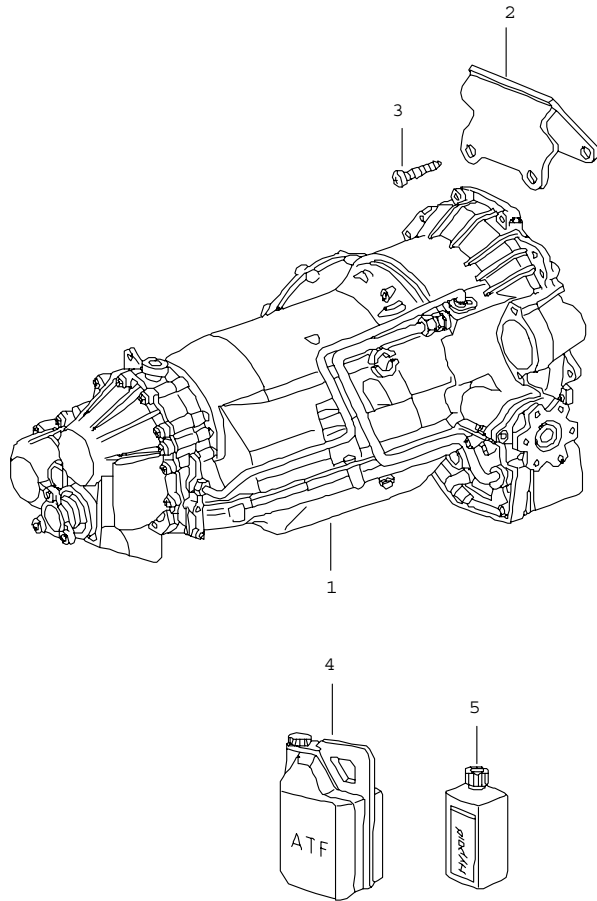
| Pos | Part Number | Name | Remarks | Qty | Model |
|-----|------------------|--|---------|-----|--------|
| | | front-axle final drive | | | Z97.00 |
| | | clutch single parts | | | |
| 1 | N 016 161 1 | screw plug M 18 X 1,5 | | 1 | |
| 2 | 996 332 309 00 | joint flange | | 2 | |
| 3 | 999 113 454 40 | shaft seal 40 X 60 X 9 | | 2 | |
| 4 | 996 332 311 00 | snap ring 2,5 X 20 | | 2 | |
| 5 | 996 301 071 00 | bleeder 17 X 12 | | 1 | |
| 6 | N 997 339 021 00 | clutch | | 1 | |
| 7 | 900 234 174 00 | support washer 20 X 28 X 2,0 | | 1 | |
| 8 | 999 041 021 01 | circlip 20 X 1,2 | | 1 | |
| 9 | 900 124 025 02 | screw plug M 18 X 1,5 PM | | 1 | |
| 10 | 999 707 455 40 | o-ring 123 X 3 | | 1 | |
| 11 | N 903 660 01 | torx screw M 8 X 36 | | 4 | |
| -- | 996 337 411 00 | protection cap | | 1 | |
| 12 | --- | o-ring | | 1 | |
| 13 | N 903 660 01 | torx screw M 8 X 36 | | 8 | |
| -- | 000 043 303 00 | transmission oil for clutch 1 LTR. container | | 1 | |
| | | - - - E N D - - - | | | |

| | | | | | | | | | | | |
|-------|------|----|----|--------------|--------------|--------|------|------------|---------|-----|---------|
| Model | Year | MG | SG | Illustration | Restrictions | Update | 9:42 | 30.08.2006 | PORSCHE | PET | PORSCHE |
| 997t | 07 | 3 | 06 | 306-00 | | 203 | | | | | |



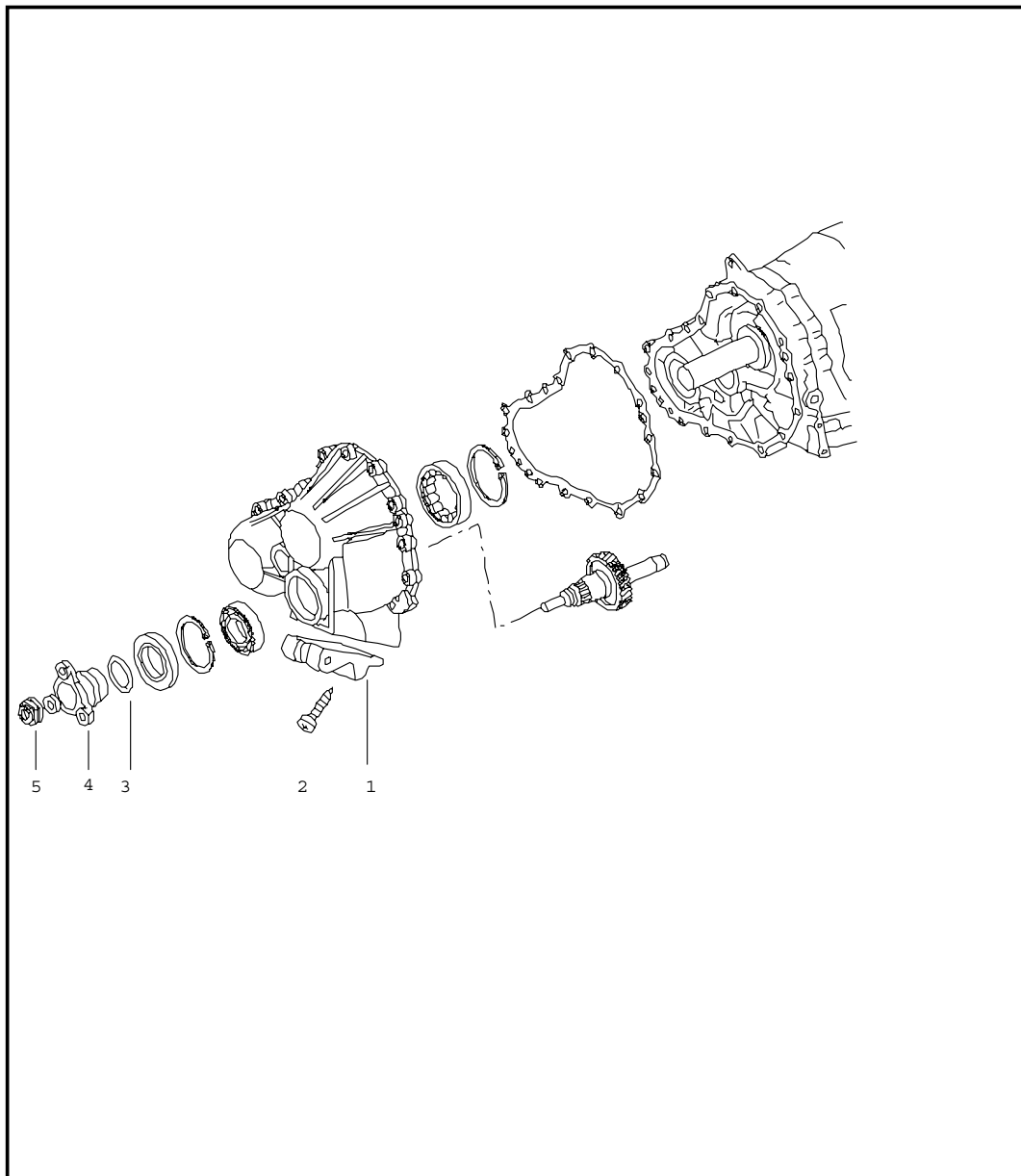
| Pos | Part Number | Name | Remarks | Qty | Model |
|-----|----------------|---------------------------------------|---------|-----|--------|
| | | transmission suspension | | | G97.50 |
| 1 | 996 375 033 03 | transmission carrier | | 1 | |
| 2 | 996 375 317 06 | bracket upper | | 1 | |
| 3 | 996 375 015 00 | side member | | 1 | |
| 4 | 996 375 259 08 | stop | | 2 | |
| 5 | 900 378 167 09 | hexagon-head bolt M 10 X 110 | | 2 | |
| 5 | 999 061 106 09 | stud M 10 X 83 | | 2 | |
| 6 | 900 380 008 09 | hexagon nut M 10 | | 2 | |
| (6) | 999 076 053 09 | hexagon nut M 10 | | 6 | |
| 7 | 999 072 010 09 | hexagon-head bolt M 12 X 1,5 X 100 | | 2 | |
| 8 | 999 072 008 09 | hexagon-head bolt M 12 X 1,5 X 70 | | 3 | |
| 9 | 900 378 061 09 | hexagon-head bolt M 12 X 1,5 X 50 | | 1 | |
| 10 | 900 378 076 09 | hexagon-head bolt M 10 X 50 | | 1 | |
| 11 | 900 377 011 09 | hexagon nut M 10 | | 1 | |
| | | - - - E N D - - - | | | |

| | | | | | | | | | | | |
|-------|------|----|----|--------------|--------------|--------|------|------------|---------|-----|---------|
| Model | Year | MG | SG | Illustration | Restrictions | Update | 9:43 | 30.08.2006 | PORSCHE | PET | PORSCHE |
| 997t | 07 | 3 | 20 | 320-00 | | 203 | | | | | |



| Pos | Part Number | Name | Remarks | Qty | Model |
|-----|----------------|---|---------|-----|--------|
| | | tiptronic replacement transmission | | | A97.50 |
| 1 | 722 270 200 0 | transmission | | 1 | |
| 2 | 996 449 101 50 | hook | | 1 | |
| 3 | 999 073 190 09 | oval-head screw M 8 X 60 | | 2 | |
| 4 | 000 043 204 90 | transmission oil ATF 20 LTR. container | | X | |
| - | 000 043 304 01 | transmission oil ATF 1 LTR. container | | X | |
| 5 | 999 917 546 00 | transmission oil 75 W 90 1 LTR. container | | X | |
| - | 210 997 003 2 | screw plug | | 1 | |
| - | 900 123 060 30 | sealing ring 24 x 29 | | 1 | |
| - | 996 116 011 50 | intermediate housing engine and transmission | | 1 | |
| | | - - - E N D - - - | | | |

| | | | | | | | | | | | |
|-------|------|----|----|--------------|--------------|--------|------|------------|---------|-----|---------|
| Model | Year | MG | SG | Illustration | Restrictions | Update | 9:43 | 30.08.2006 | PORSCHE | PET | PORSCHE |
| 997t | 07 | 3 | 20 | 320-01 | | 203 | | | | | |

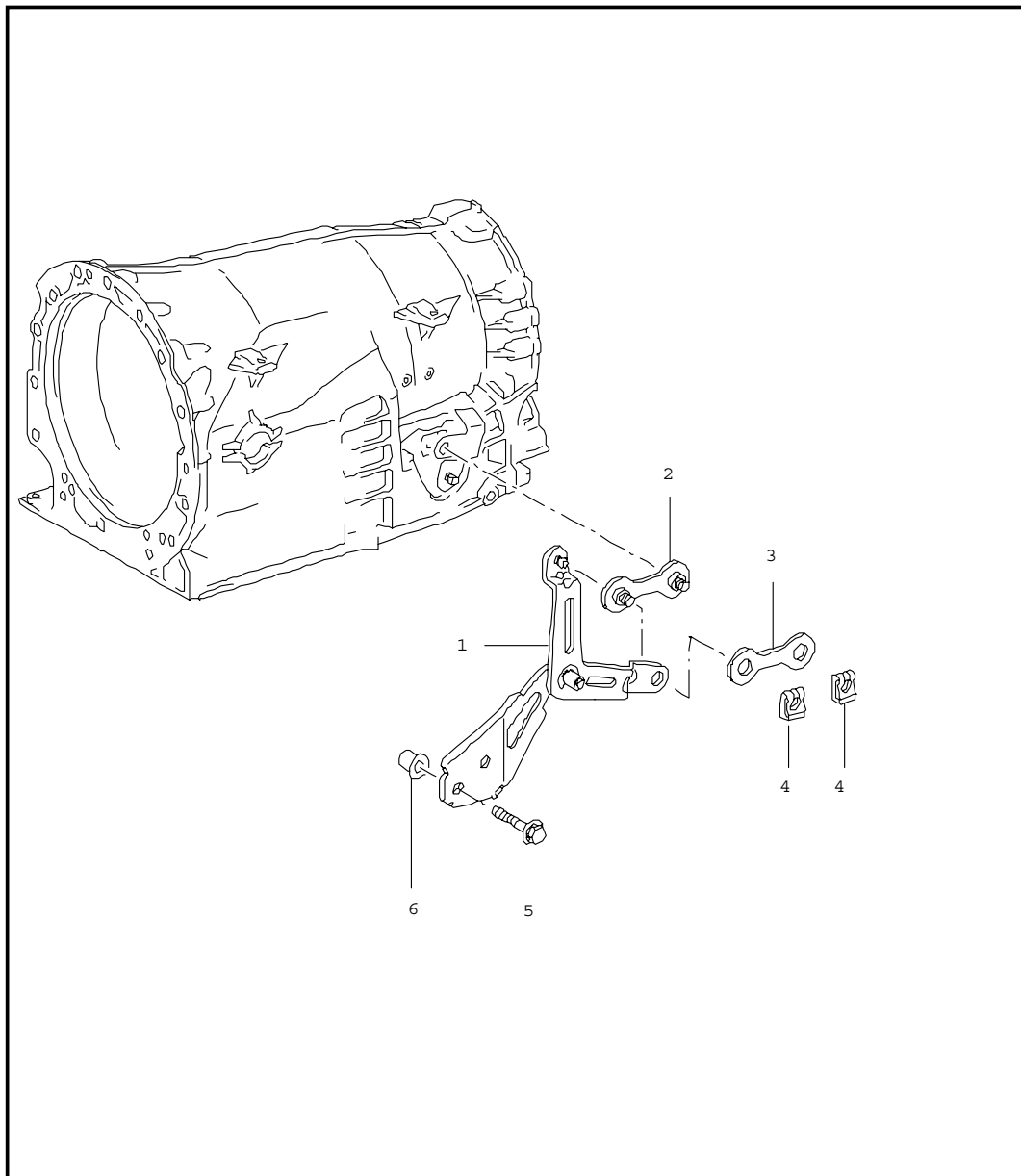


| Pos | Part Number | Name | Remarks | Qty | Model |
|-----|----------------|---|---------|-----|--------|
| | | tiptronic all-wheel driving mechanism | | | A97.50 |
| 1 | 722 260 006 2 | bearing | | 1 | |
| 2 | 999 073 178 09 | oval-head screw M 8 X 30 | | 4 | |
| 3 | 168 997 004 5 | o-ring 28 X 3 | | 1 | |
| 4 | 722 270 022 0 | flange | | 1 | |
| 5 | 140 990 115 0 | collar nut M 26 X 1,5 | | 1 | |
| - | 022 997 944 7 | shaft seal | | 1 | |
| | | - - - E N D - - - | | | |

| | | | | | | | | |
|-------|------|----|----|--------------|--------------|--------|------|------------|
| Model | Year | MG | SG | Illustration | Restrictions | Update | 9:43 | 30.08.2006 |
| 997t | 07 | 3 | 20 | 320-03 | | 203 | | |

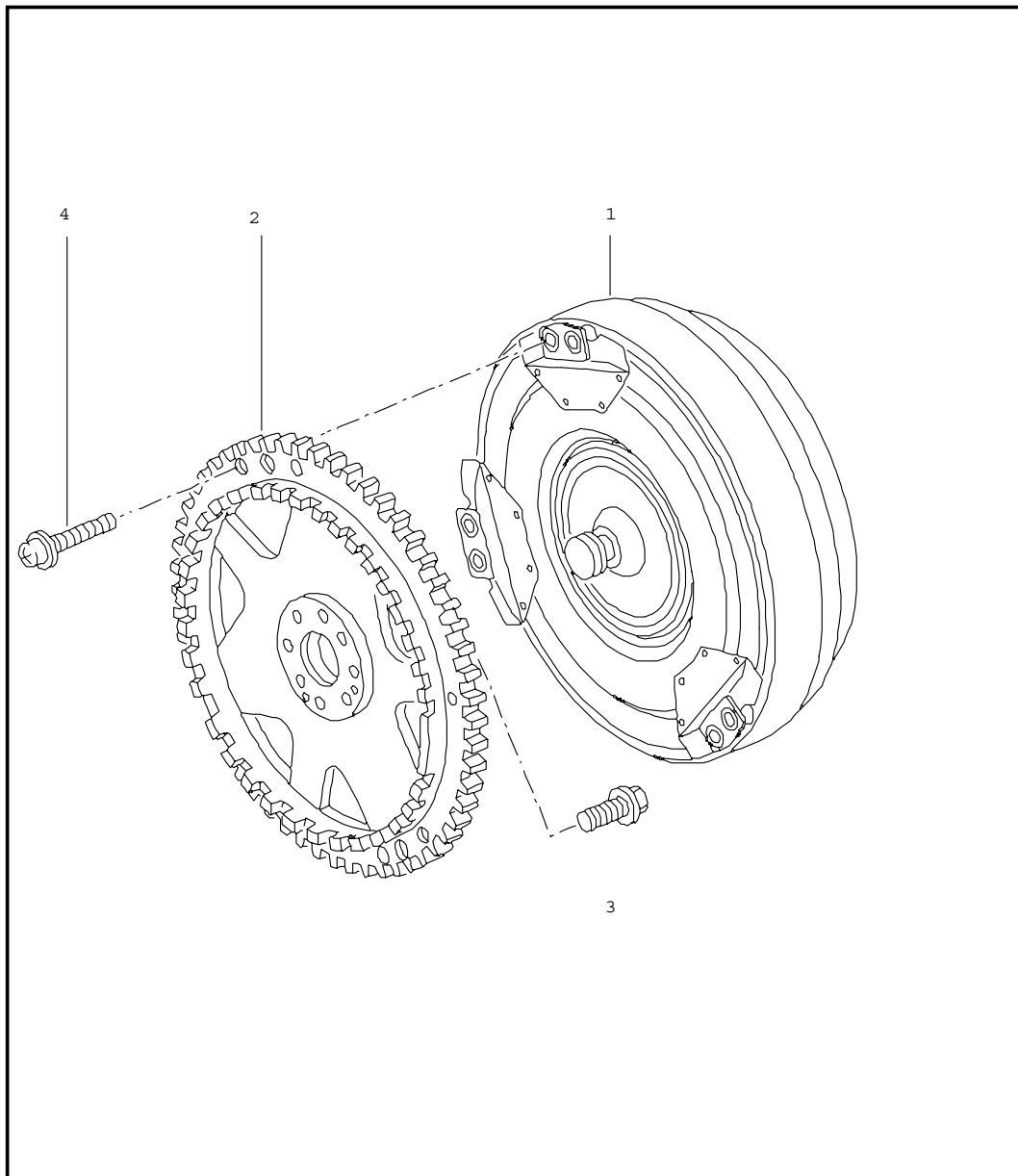
| Pos | Part Number | Name | Remarks | Qty | Model |
|-----|----------------|---|---------|-----|--------|
| | | tiptronic differential differential housing | | | A97.50 |
| 1 | 900 074 192 09 | hexagon-head bolt M 10 X 55 | | 1 | |
| 2 | 722 274 024 5 | drive flange | | 1 | |
| 3 | 999 113 484 40 | shaft seal for cover | | 1 | |
| 4 | 722 270 062 0 | flange | | 1 | |
| 5 | 996 397 005 00 | round seal | | 1 | |
| 6 | 986 397 034 00 | round seal | | 1 | |
| 7 | 996 397 007 00 | pan-head screw M 8 X 30 | | 3 | |
| | | - - - E N D - - - | | | |

| | | | | | | | | | | | |
|-------|------|----|----|--------------|--------------|--------|------|------------|---------|-----|---------|
| Model | Year | MG | SG | Illustration | Restrictions | Update | 9:43 | 30.08.2006 | PORSCHE | PET | PORSCHE |
| 997t | 07 | 3 | 20 | 320-05 | | 203 | | | | | |



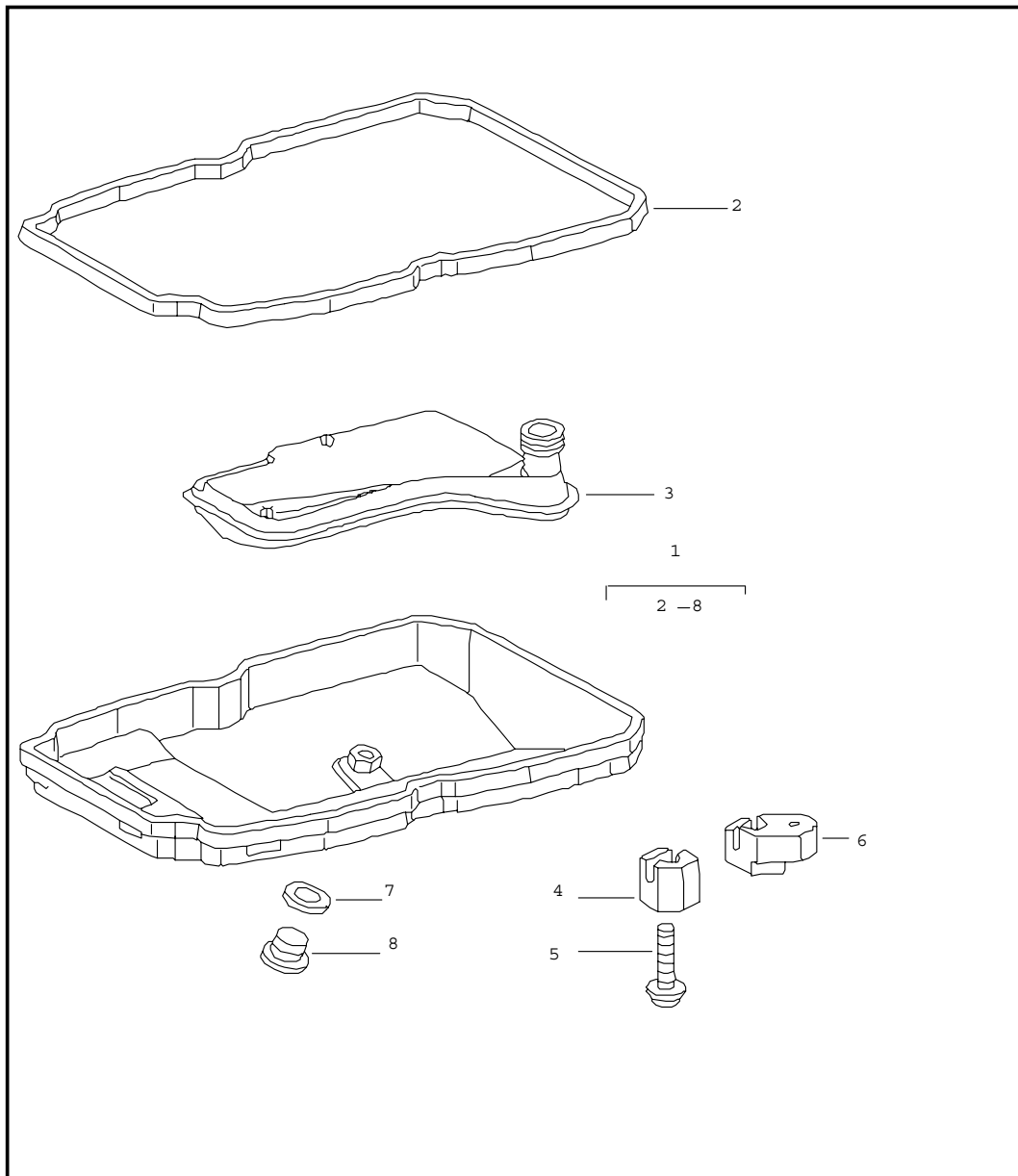
| Pos | Part Number | Name | Remarks | Qty | Model |
|-----|----------------|--------------------------|---------|-----|--------|
| | | tiptronic selector lever | | | A97.50 |
| 1 | 722 270 011 0 | selector lever | | 1 | |
| 2 | 722 270 025 9 | lever | | 2 | |
| 3 | 722 278 032 0 | lever | | 1 | |
| 4 | 999 166 079 02 | lock washer | | 2 | |
| 5 | --- | screw | | 2 | |
| 6 | 722 992 002 0 | sleeve | | 1 | |
| | | - - - E N D - - - | | | |

| | | | | | | | | | | | |
|-------|------|----|----|--------------|--------------|--------|------|------------|---------|-----|---------|
| Model | Year | MG | SG | Illustration | Restrictions | Update | 9:43 | 30.08.2006 | PORSCHE | PET | PORSCHE |
| 997t | 07 | 3 | 30 | 330-00 | | 203 | | | | | |



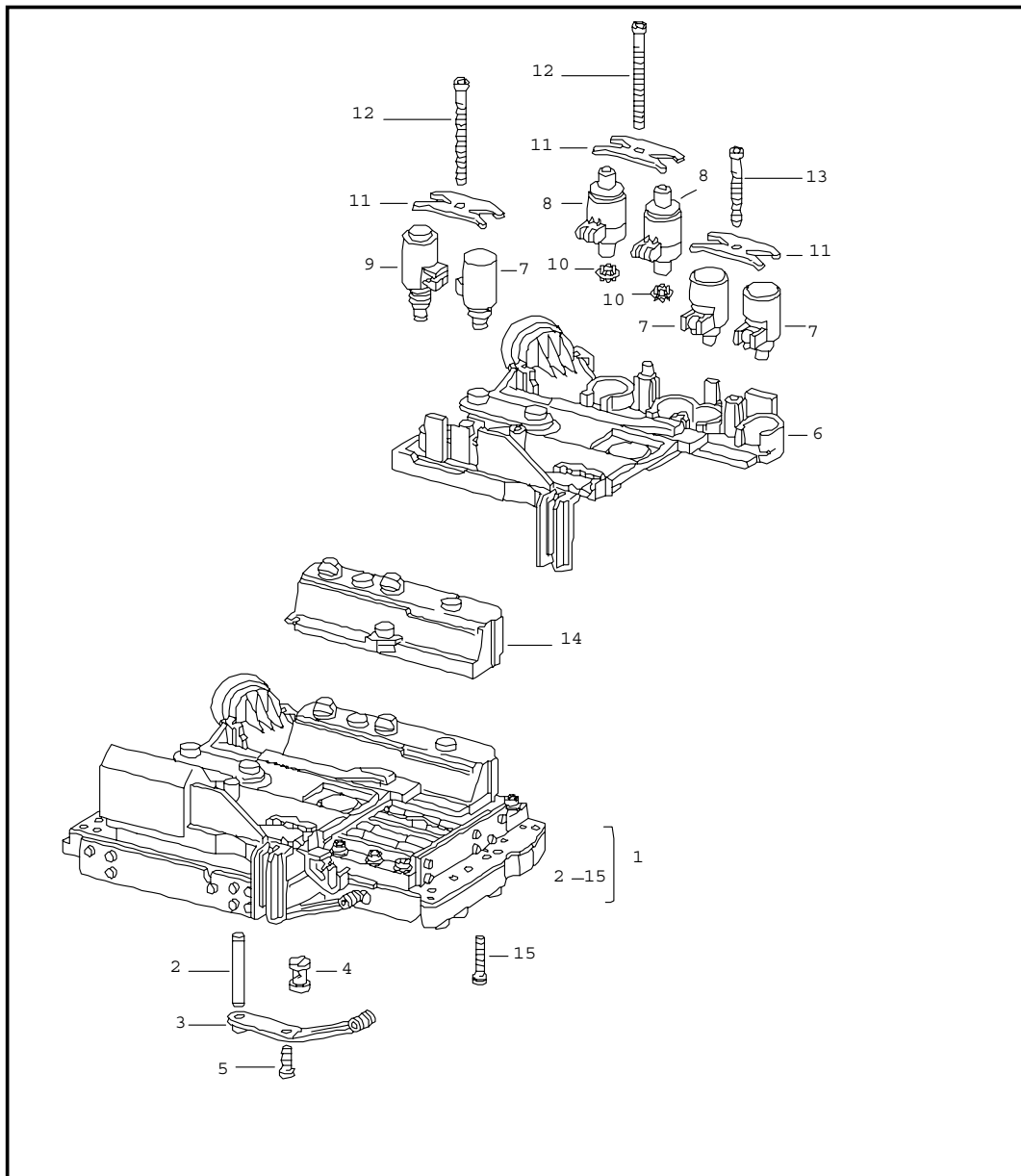
| Pos | Part Number | Name | Remarks | Qty | Model |
|-----|----------------|--|---------|-----|--------|
| | | tiptronic torque converter drive plate | | | A97.50 |
| 1 | 722 250 130 2 | torque converter | | 1 | |
| 2 | 996 116 075 50 | drive plate | | 1 | |
| 3 | 999 119 019 01 | pan-head screw M 10 X 1 X 25 X 45 | | 9 | |
| 4 | 900 067 369 09 | pan-head screw M 8 X 20 | | 6 | |
| - | 018 997 044 7 | sealing ring for oil pump | | 1 | |
| | | - - - E N D - - - | | | |

| | | | | | | | | | | | |
|-------|------|----|----|--------------|--------------|--------|------|------------|---------|-----|---------|
| Model | Year | MG | SG | Illustration | Restrictions | Update | 9:44 | 30.08.2006 | PORSCHE | PET | PORSCHE |
| 997t | 07 | 3 | 40 | 340-01 | | 203 | | | | | |



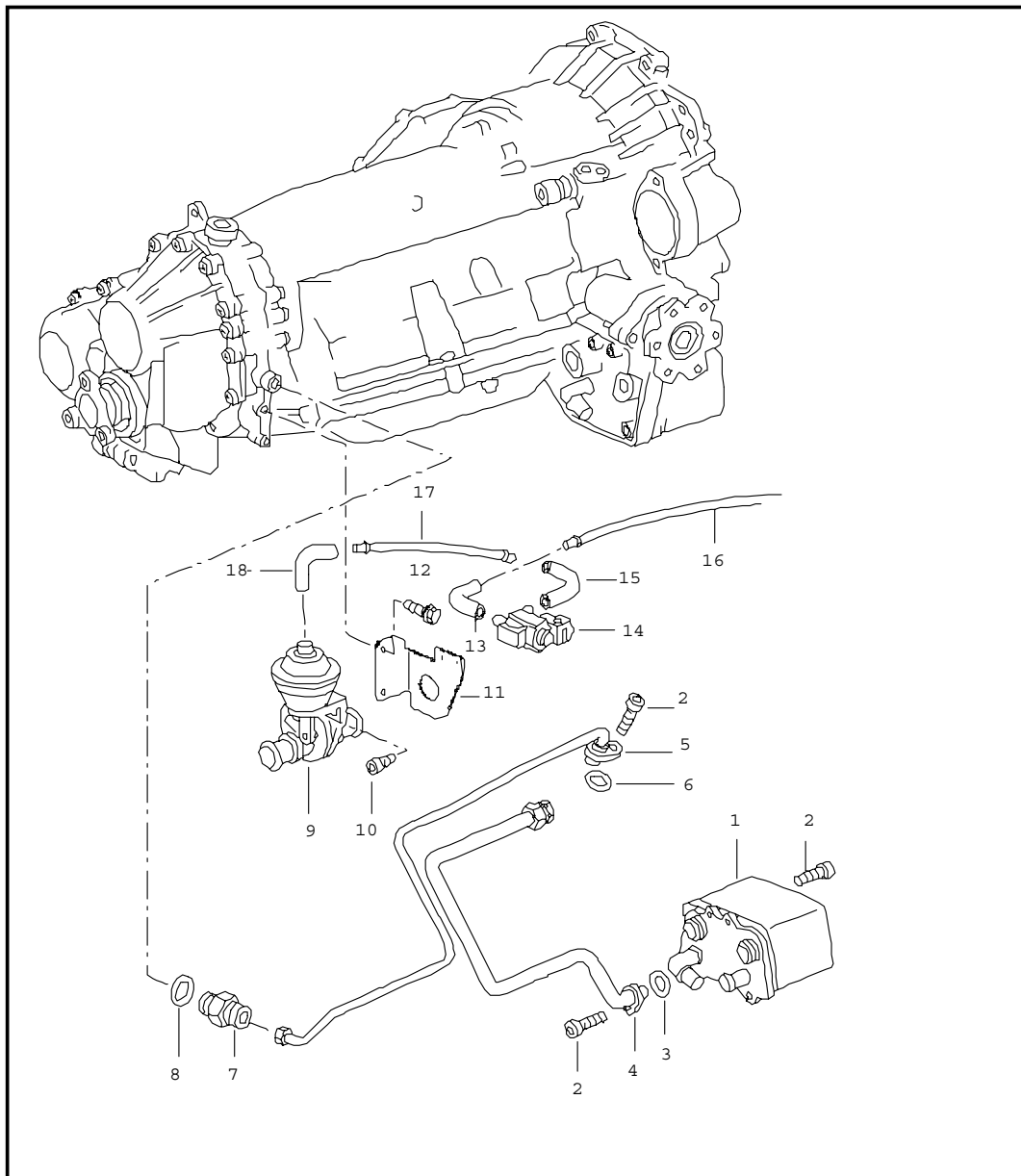
| Pos | Part Number | Name | Remarks | Qty | Model |
|-----|----------------|------------------------------------|---------|-----|--------|
| | | tiptronic oil filter oil pan | | | A97.50 |
| 1 | 722 270 161 2 | oil pan | | 1 | |
| 2 | 140 271 008 0 | gasket | | 1 | |
| 3 | 722 277 009 5 | oil filter | | 1 | |
| 4 | 140 271 006 8 | clamping sleeve | | 6 | |
| 5 | 999 073 202 09 | pan-head screw M 6 X 22 | | 6 | |
| 6 | --- | clamping sleeve | | X | |
| 7 | 900 123 062 20 | sealing ring | | 1 | |
| 8 | 900 219 007 02 | screw plug | | 1 | |
| | | - - - E N D - - - | | | |

| | | | | | | | | | | | |
|-------|------|----|----|--------------|--------------|--------|------|------------|---------|-----|---------|
| Model | Year | MG | SG | Illustration | Restrictions | Update | 9:44 | 30.08.2006 | PORSCHE | PET | PORSCHE |
| 997t | 07 | 3 | 40 | 340-02 | | 203 | | | | | |



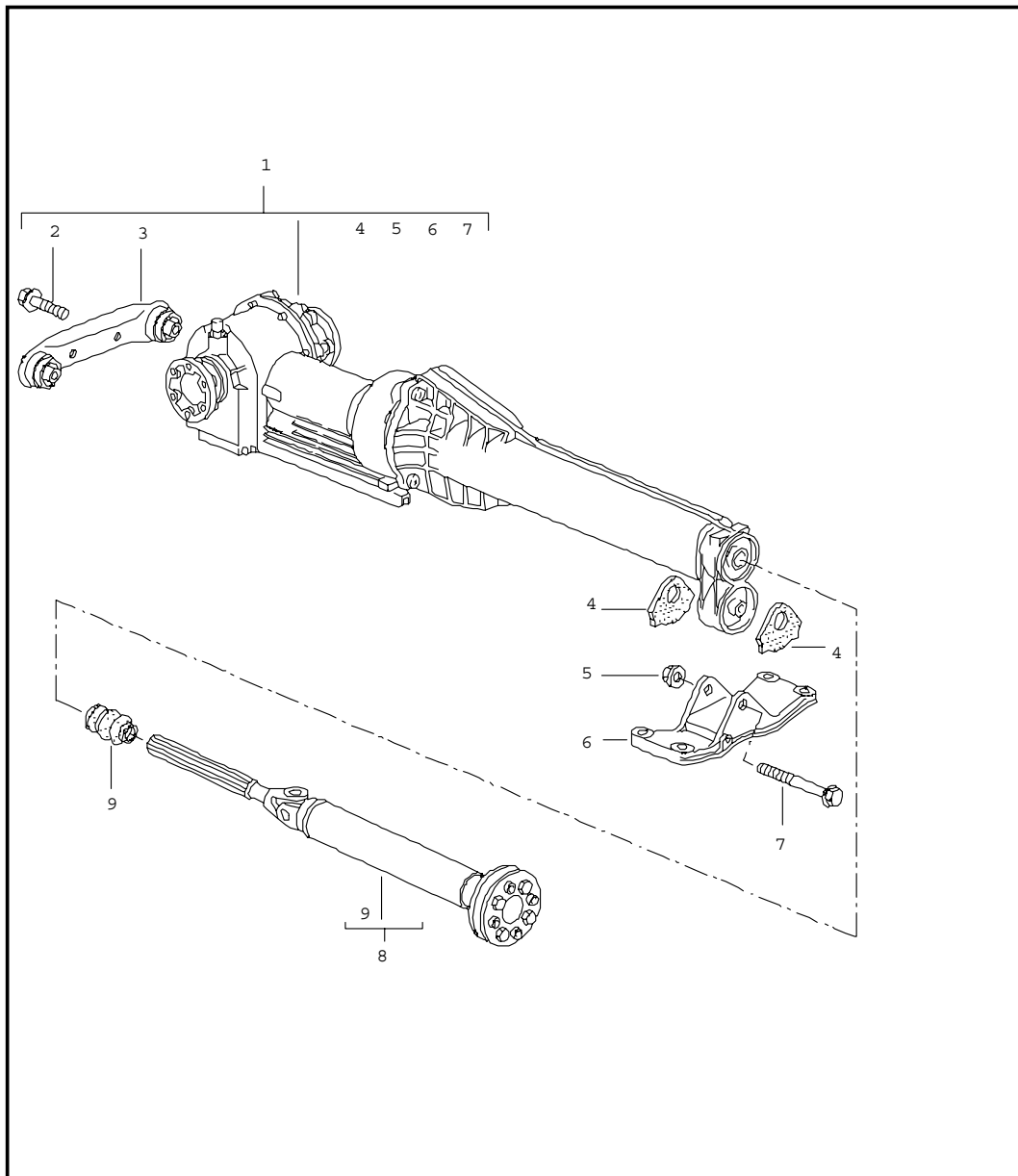
| Pos | Part Number | Name | Remarks | Qty | Model |
|-----|----------------|--|---------|-----|--------|
| | | tiptronic switch unit solenoid valve pressure regulator | | | A97.50 |
| 1 | 722 270 020 6 | switch unit | | 1 | |
| 2 | 140 277 007 5 | pin | | 1 | |
| 3 | 140 270 017 8 | spring | | 1 | |
| 4 | 140 270 029 8 | filter | | 1 | |
| 5 | 170 990 012 0 | screw | | 1 | |
| 6 | 140 270 056 1 | cover plate | | 1 | |
| 7 | 140 277 053 5 | valve | | 3 | |
| 8 | 140 277 039 8 | solenoid valve | | 2 | |
| 9 | 140 277 043 5 | solenoid valve | | 1 | |
| 10 | 140 270 049 8 | filter | | 2 | |
| 11 | 140 276 000 3 | spring plate | | 3 | |
| 12 | 140 277 107 1 | screw | | 2 | |
| 13 | 140 277 117 10 | screw | | 1 | |
| 14 | 140 271 078 2 | cover | | 1 | |
| 15 | 140 277 067 1 | screw | | 10 | |
| | | - - - E N D - - - | | | |

| | | | | | | | | | | | |
|-------|------|----|----|--------------|--------------|--------|------|------------|---------|-----|---------|
| Model | Year | MG | SG | Illustration | Restrictions | Update | 9:44 | 30.08.2006 | PORSCHE | PET | PORSCHE |
| 997t | 07 | 3 | 60 | 360-00 | | 203 | | | | | |



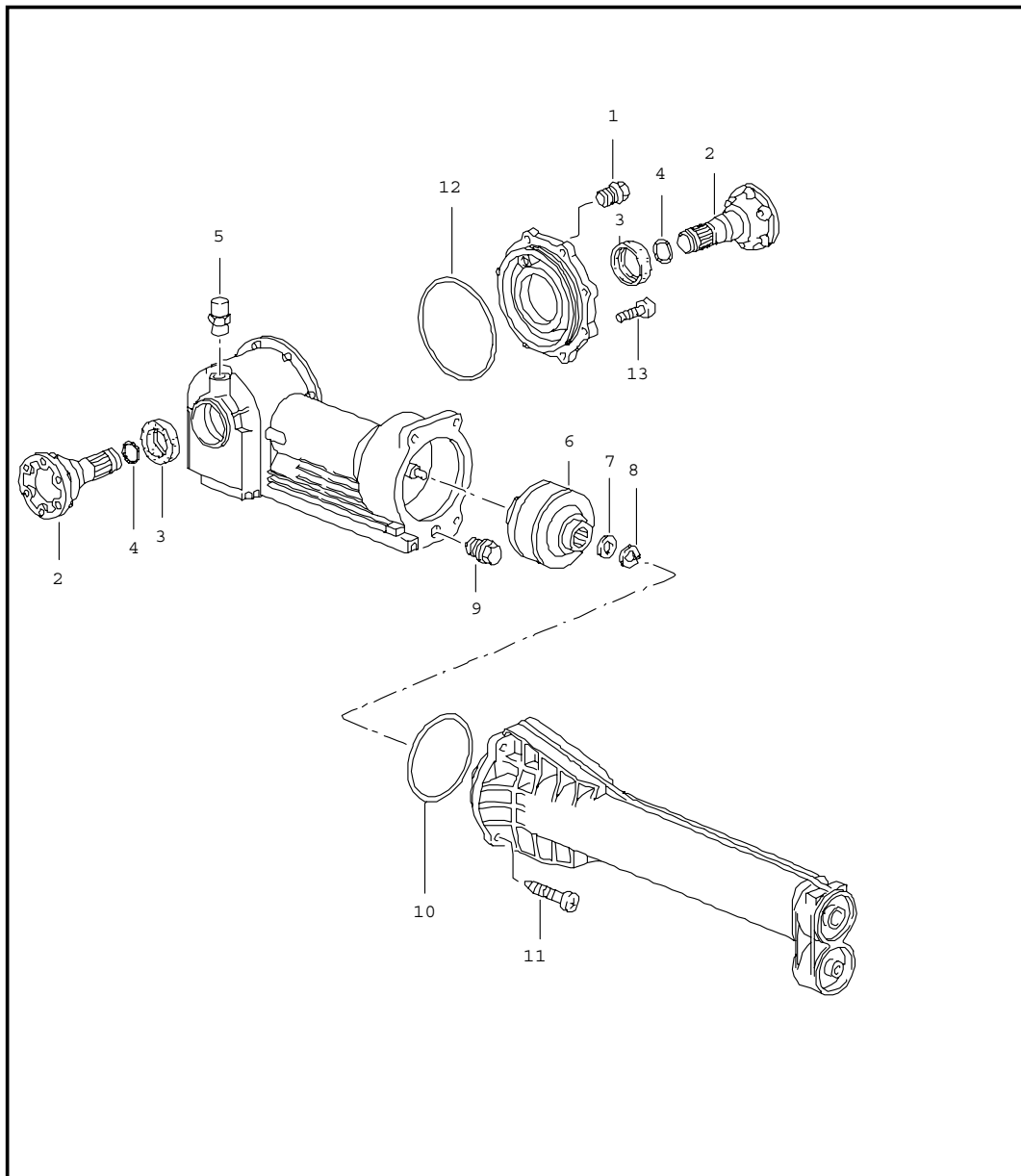
| Pos | Part Number | Name | Remarks | Qty | Model |
|-----|----------------|--------------------------------------|---------|-----|--------|
| | | tiptronic atf cooler atf lines | | | A97.50 |
| 1 | 722 270 009 5 | atf cooler | | 1 | |
| 2 | 999 073 103 09 | oval-head screw M 6 X 16 | | 6 | |
| 3 | 026 997 234 8 | sealing ring | | 2 | |
| 4 | 722 270 089 6 | oil pipe 18,6 X 3,5 | | 2 | |
| 5 | 722 270 079 6 | oil pipe | | 1 | |
| 6 | 026 997 234 8 | sealing ring | | 1 | |
| - | 996 307 711 10 | water hose | | 1 | |
| 7 | 000 997 117 1 | screw socket | | 1 | |
| 8 | 900 123 005 30 | sealing ring A 12 X 16 | | 1 | |
| | | - - - E N D - - - | | | |

| | | | | | | | | | | | |
|-------|------|----|----|--------------|--------------|--------|------|------------|---------|-----|---------|
| Model | Year | MG | SG | Illustration | Restrictions | Update | 9:44 | 30.08.2006 | PORSCHE | PET | PORSCHE |
| 997t | 07 | 3 | 60 | 360-01 | | 203 | | | | | |



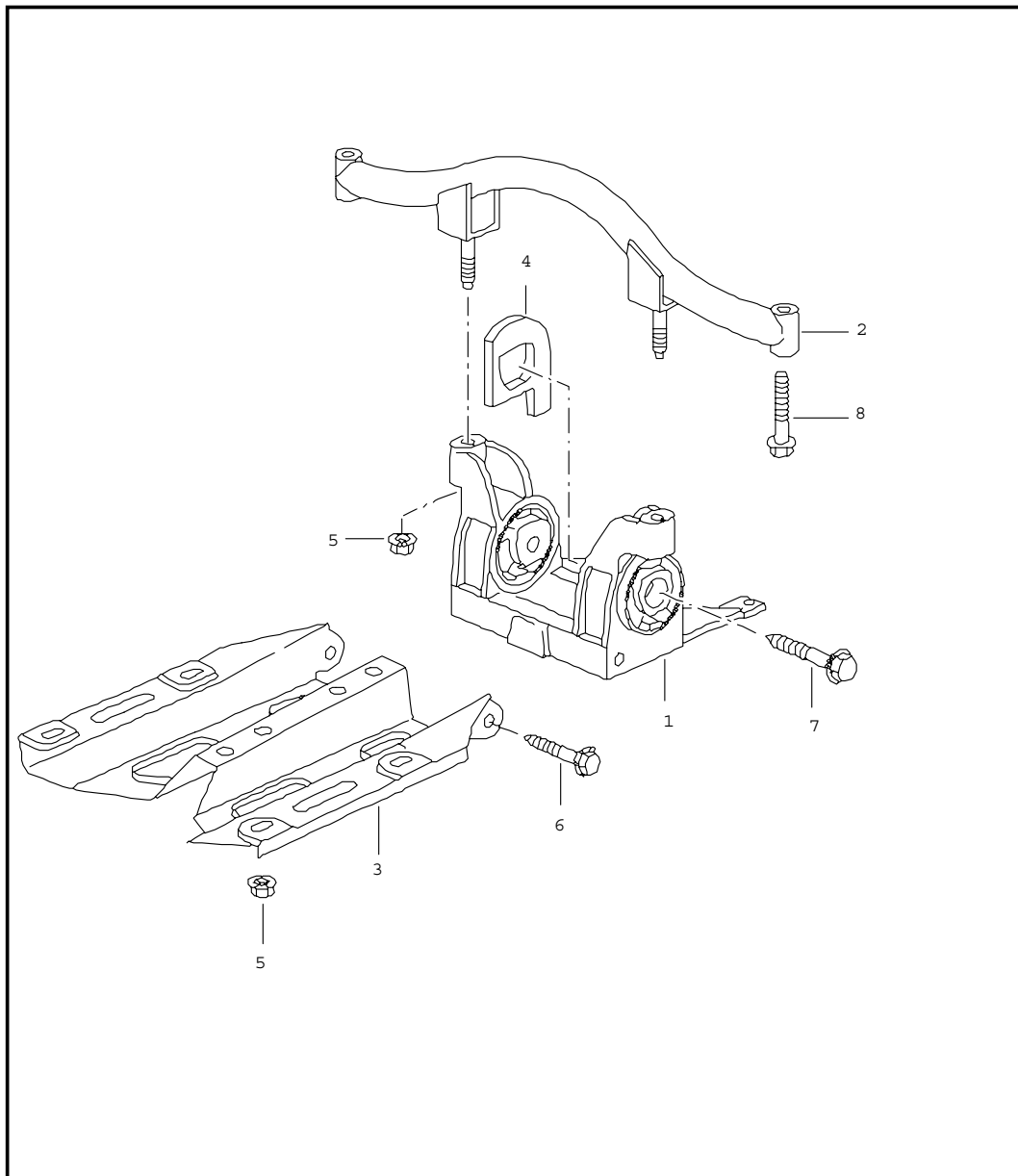
| Pos | Part Number | Name | Remarks | Qty | Model |
|-----|----------------|--|---------|-----|--------|
| | | front-axle final drive cardan shaft | | | Z97.00 |
| 1 | 997 349 020 50 | front-axle final drive ready for installation | | 1 | |
| 2 | 999 072 034 09 | conical screw M 10 X 28 | | 2 | |
| 3 | 996 375 034 00 | transmission carrier front | | 1 | |
| 4 | 996 375 257 01 | stop | | 2 | |
| 5 | 900 380 008 09 | hexagon nut M 10 | | 1 | |
| 6 | 996 375 343 03 | transmission carrier rear | | 1 | |
| 7 | 900 378 142 09 | hexagon-head bolt M 10 X 90 | | 1 | |
| 8 | 996 421 020 50 | cardan shaft | | 1 | |
| 9 | 996 421 145 01 | boot | | 1 | |
| 10 | 996 375 054 02 | transmission mounting rear | | 1 | |
| -- | 999 061 105 09 | stud M 10 X 90 | | 2 | |
| -- | 900 380 008 09 | hexagon nut M 10 mount front-axle final drive cross member | | 2 | |
| | | - - - E N D - - - | | | |

| | | | | | | | | | | | |
|-------|------|----|----|--------------|--------------|--------|------|------------|---------|-----|---------|
| Model | Year | MG | SG | Illustration | Restrictions | Update | 9:45 | 30.08.2006 | PORSCHE | PET | PORSCHE |
| 997t | 07 | 3 | 60 | 360-02 | | 203 | | | | | |



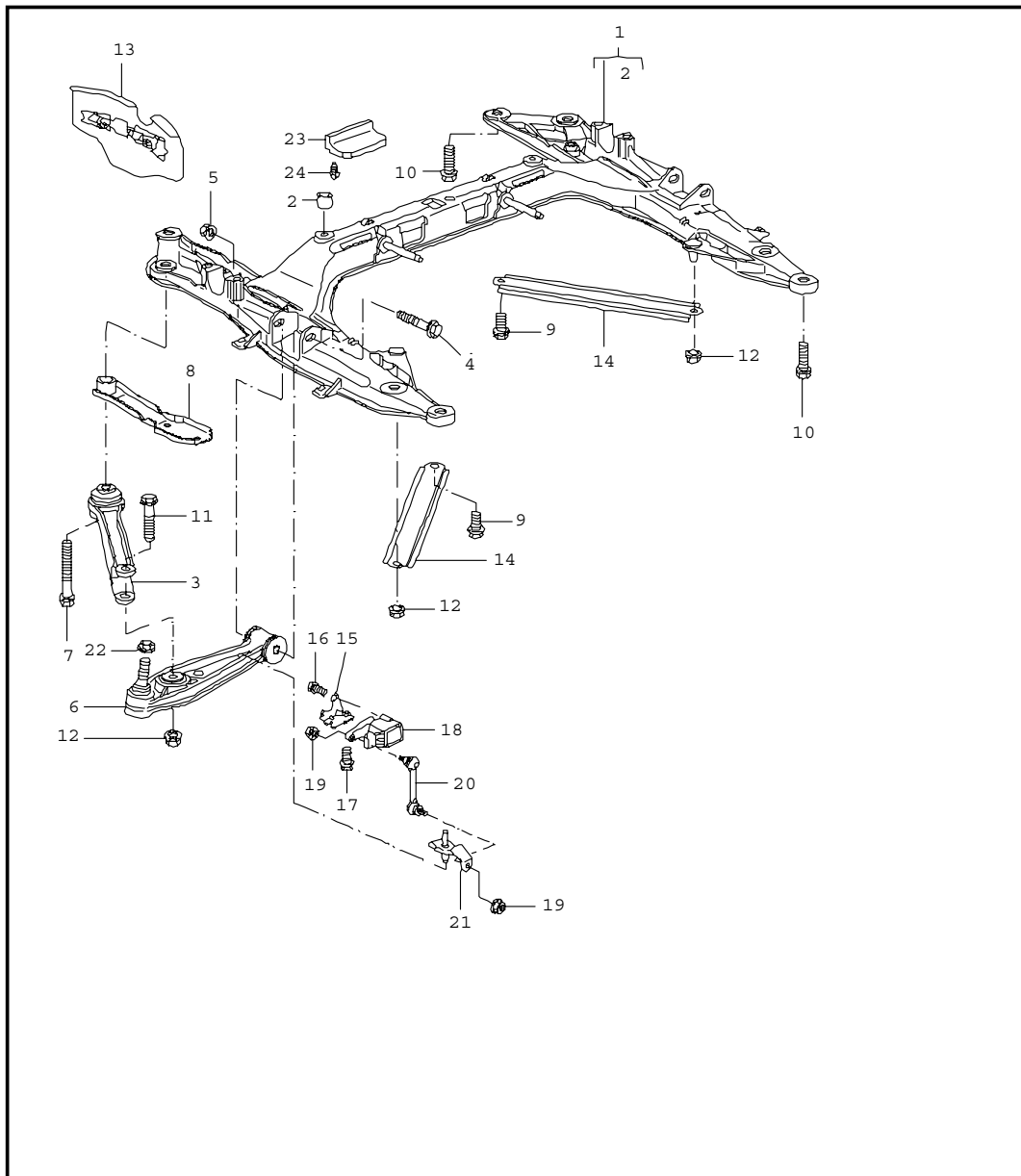
| Pos | Part Number | Name | Remarks | Qty | Model |
|-----|----------------|--|---------|-----|--------|
| | | front-axle final drive clutch single parts | | | Z97.00 |
| 1 | N 016 161 1 | screw plug M 18 X 1,5 | | 1 | |
| 2 | 996 332 309 00 | joint flange | | 2 | |
| 3 | 999 113 454 40 | shaft seal 40 X 60 X 9 | | 2 | |
| 4 | 996 332 311 00 | snap ring 2,5 X 20 | | 2 | |
| 5 | 996 301 071 00 | bleeder 17 X 12 | | 1 | |
| 6 | 997 339 021 02 | viscous clutch | | 1 | |
| 7 | 900 234 174 00 | support washer 20 X 28 X 2,0 | | 1 | |
| 8 | 999 041 021 01 | circlip 20 X 1,2 | | 1 | |
| 9 | 900 124 025 02 | screw plug M 18 X 1,5 PM | | 1 | |
| 10 | 999 707 455 40 | o-ring 123 X 3 | | 1 | |
| 11 | N 903 660 01 | torx screw M 8 X 36 | | 4 | |
| -- | 996 337 411 00 | protection cap | | 1 | |
| 12 | --- | o-ring | | 1 | |
| 13 | N 903 660 01 | torx screw M 8 X 36 | | 8 | |
| | | - - - E N D - - - | | | |

| | | | | | | | | | | | |
|-------|------|----|----|--------------|--------------|--------|------|------------|---------|-----|---------|
| Model | Year | MG | SG | Illustration | Restrictions | Update | 9:45 | 30.08.2006 | PORSCHE | PET | PORSCHE |
| 997t | 07 | 3 | 70 | 370-00 | | 203 | | | | | |



| Pos | Part Number | Name | Remarks | Qty | Model |
|-----|----------------|---|---------|-----|--------|
| | | tiptronic transmission suspension and mount intermediate flange | | | A97.50 |
| 1 | 996 375 033 03 | transmission carrier | | 1 | |
| 2 | 996 375 317 06 | bracket upper | | 1 | |
| 3 | 996 375 015 00 | side member | | 1 | |
| 4 | 996 375 259 08 | stop | | 2 | |
| 5 | 900 378 167 09 | hexagon-head bolt M 10 X 110 | | 2 | |
| 5 | 999 061 106 09 | stud M 10 X 83 | | 2 | |
| 6 | 900 380 008 09 | hexagon nut M 10 | | 2 | |
| 6A | 999 076 053 09 | hexagon nut M 10 | | 6 | |
| 7 | 900 378 208 09 | hexagon-head bolt M 12 X 1,5 X 75 | | 2 | |
| 8 | 999 072 008 09 | hexagon-head bolt M 12 X 1,5 X 70 | | 3 | |
| - | 999 073 182 02 | lens-head screw M 8 X 35 | | 4 | |
| - | 900 378 108 09 | hexagon-head bolt M 8 X 35 | | 4 | |
| 10 | 900 378 076 09 | hexagon-head bolt M 10 X 50 | | 1 | |
| 11 | 900 377 011 09 | hexagon nut M 10 | | 1 | |
| | | - - - E N D - - - | | | |

| | | | | | | | | | | | |
|-------|------|----|----|--------------|--------------|--------|------|------------|---------|-----|---------|
| Model | Year | MG | SG | Illustration | Restrictions | Update | 9:45 | 30.08.2006 | PORSCHE | PET | PORSCHE |
| 997t | 07 | 4 | 01 | 401-00 | | 203 | | | | | |

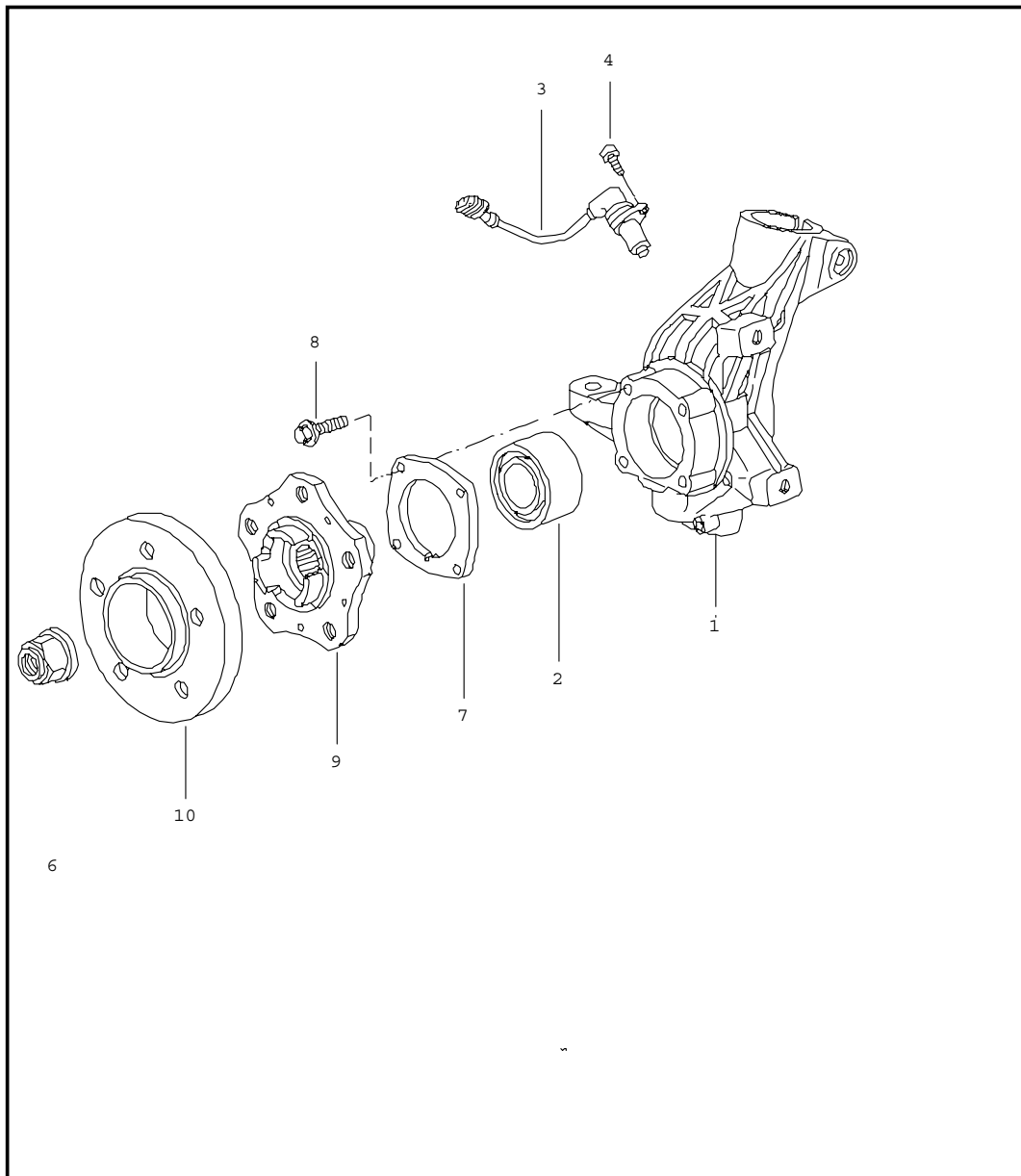


| Pos | Part Number | Name | Remarks | Qty | Model |
|------|----------------|---|---------|-----|-------|
| | | cross member | | 1 | |
| | | control arm | | 1 | |
| | | cross member | | 1 | |
| 1 | 997 341 081 11 | cross member | | 1 | |
| 2 | 900 197 070 00 | roll pin 13 X 14 | | 1 | |
| 3 | 997 341 043 00 | control arm | | 2 | |
| 4 | 900 378 165 09 | hexagon-head bolt M 12 X 1,5 X 95 | | 2 | |
| 5 | 999 084 445 09 | lock nut M 12 X 1,5 | | 2 | |
| 6 | 997 341 053 03 | control arm | | 2 | |
| 7 | 999 072 050 09 | hexagon-head bolt M 14 X 1,5 X 120 | | 2 | |
| 8 | 997 341 145 05 | plate | | 2 | |
| 9 | 999 072 047 09 | hexagon-head bolt M 12 X 1,5 X 30 | | 4 | |
| 10 | 900 378 192 09 | hexagon-head bolt M 14 X 1,5 X 50 | | 2 | |
| 11 | 900 378 279 09 | hexagon-head bolt M 14 X 1,5 X 95 | | 2 | |
| 12 | 900 380 012 09 | hexagon nut M 14 X 1,5 | | 2 | |
| 13 | 997 341 483 01 | spoiler | /L | 1 | |
| (13) | 997 341 484 01 | spoiler | /L | 1 | |
| 14 | 997 504 433 01 | strut | | 2 | |
| 15 | ... | support see illustrations 1/05/10 | | 1 | I601 |
| 16 | 900 146 003 02 | oval-head screw M 5 X 10 | | 2 | I601 |
| 17 | 900 378 036 09 | hexagon-head bolt M 6 X 12 | | 1 | I601 |
| 18 | 997 631 121 00 | sensor | | 1 | I601 |
| 19 | 900 380 015 09 | hexagon nut VM 6 | | 2 | I601 |
| 20 | 997 341 375 01 | strut | | 1 | I601 |

| | | | | | | | | | | | |
|-------|------|----|----|--------------|--------------|--------|------|------------|---------|-----|---------|
| Model | Year | MG | SG | Illustration | Restrictions | Update | 9:45 | 30.08.2006 | PORSCHE | PET | PORSCHE |
| 997t | 07 | 4 | 01 | 401-00 | | 203 | | | | | |

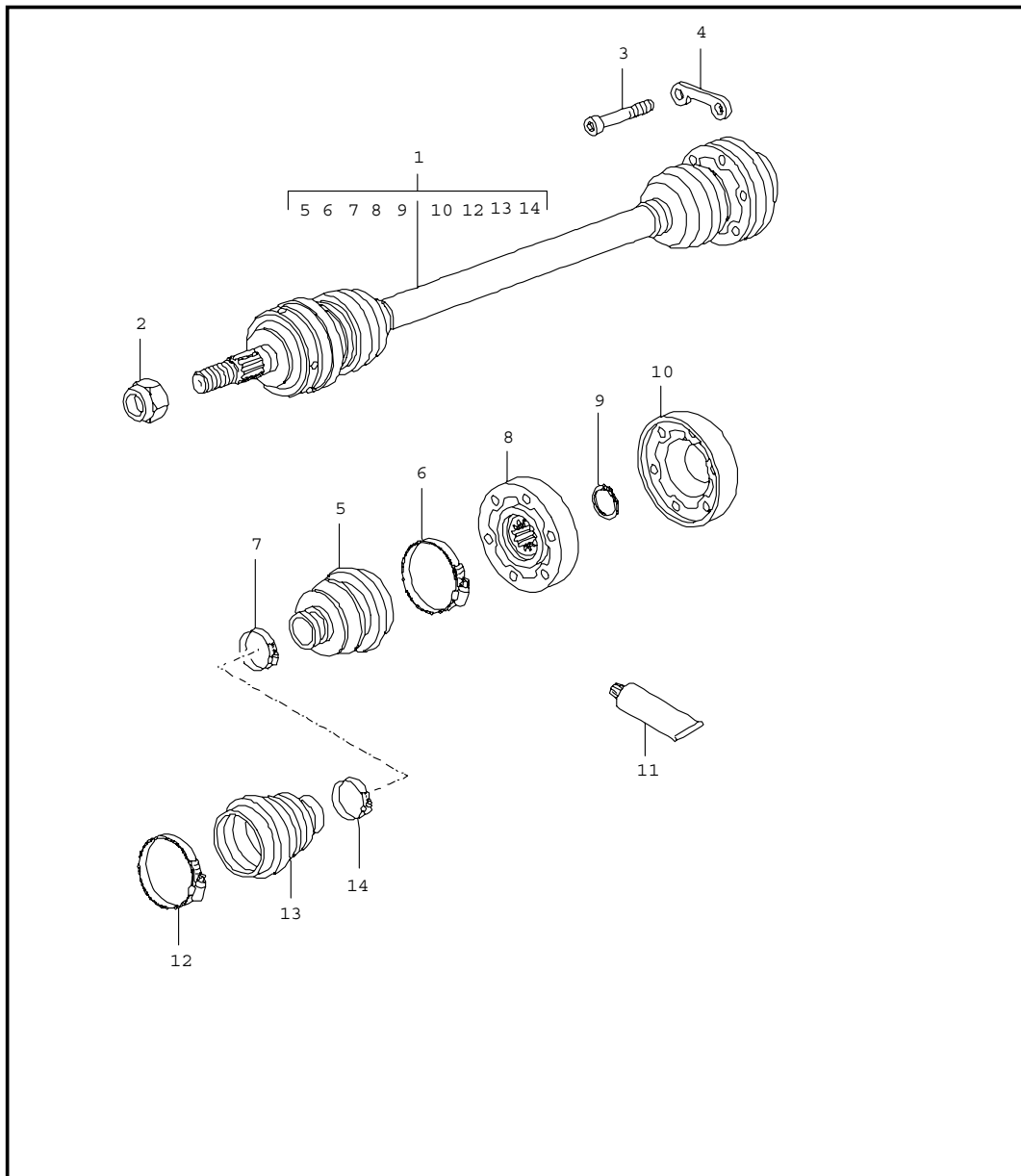
| Pos | Part Number | Name | Remarks | Qty | Model | Pos | Part Number | Name | Remarks | Qty | Model |
|-----|----------------|--------------------------------------|---------|-----|--------------|-----|-------------|------|---------|-----|-------|
| 21 | 996 341 371 03 | support | | 1 | I601 I601 | | | | | | |
| 22 | 999 084 449 09 | hexagon nut M 12 X 1,5 | | 2 | I601 | | | | | | |
| 23 | 997 341 431 02 | stop | | 1 | | | | | | | |
| 24 | 999 072 047 09 | hexagon-head bolt m 12 x 1,5 x 30 | | 4 | | | | | | | |
| | | - - - E N D - - - | | | | | | | | | |

| | | | | | | | | | | | |
|-------|------|----|----|--------------|--------------|--------|------|------------|---------|-----|---------|
| Model | Year | MG | SG | Illustration | Restrictions | Update | 9:45 | 30.08.2006 | PORSCHE | PET | PORSCHE |
| 997t | 07 | 4 | 01 | 401-05 | | 203 | | | | | |



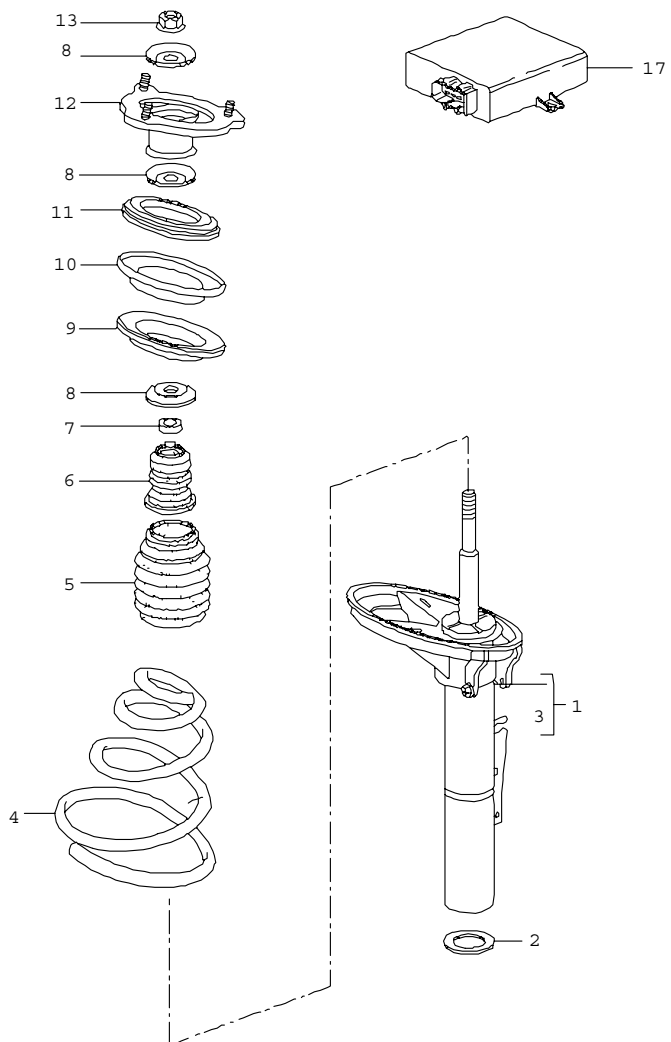
| Pos | Part Number | Name | Remarks | Qty | Model |
|-----|----------------|-------------------------------|---------|-----|-------|
| | | wheel carrier wheel hub | | | |
| 1 | 997 341 165 23 | wheel carrier | /L | 1 | |
| (1) | 997 341 166 23 | wheel carrier | /R | 1 | |
| 2 | 999 053 054 05 | angular-contact bearing | | 2 | |
| 3 | 997 606 407 01 | speed sensor | | 2 | |
| 4 | 900 067 117 09 | pan-head screw M 6 X 16 | | 2 | |
| 6 | 999 084 641 02 | lock nut M 22 x 1,5 | | 2 | |
| 7 | 986 331 661 20 | cover | | 2 | |
| 8 | 999 217 042 09 | hexagon-head bolt M 8 X 35 | | 8 | |
| 9 | 997 341 605 01 | wheel hub | | 2 | |
| | | - - - E N D - - - | | | |

| | | | | | | | | | | | |
|-------|------|----|----|--------------|--------------|--------|------|------------|---------|-----|---------|
| Model | Year | MG | SG | Illustration | Restrictions | Update | 9:45 | 30.08.2006 | PORSCHE | PET | PORSCHE |
| 997t | 07 | 4 | 01 | 401-10 | | 203 | | | | | |



| Pos | Part Number | Name | Remarks | Qty | Model |
|-------------------|----------------|---|---------|-----|-------|
| | | drive shaft | | | |
| 1 | 997 349 038 01 | drive shaft | | 2 | |
| (2) | 999 084 641 02 | lock nut M 22 X 1,5 | | 2 | |
| 3 | 900 067 073 09 | pan-head screw M 8 X 45 | | 12 | |
| (4) | 996 349 191 01 | plate | | 6 | |
| 5 | 996 349 293 00 | dust bellows | | 2 | |
| - N | 996 349 959 00 | support for dust bellows | | 2 | |
| 6 | 996 349 257 02 | clip | | 2 | |
| 7 | 996 349 257 03 | clip | | 2 | |
| 8 | 996 349 030 00 | joint | | 2 | |
| 9 | 900 041 011 01 | circlip | | 2 | |
| 10 | 996 349 267 00 | cover | | 2 | |
| 11 | 000 043 110 01 | grease 1 tube 100 g | | X | |
| (11) | 000 043 205 36 | sealing compound drive shaft 1 tube 100 g | | X | |
| 12 | 996 349 257 00 | clip | | 2 | |
| 13 | 996 349 291 00 | dust bellows | | 2 | |
| 14 | 996 349 257 01 | clip | | 2 | |
| - - - E N D - - - | | | | | |

| | | | | | | | | | | | |
|-------|------|----|----|--------------|--------------|--------|------|------------|---------|-----|---------|
| Model | Year | MG | SG | Illustration | Restrictions | Update | 9:46 | 30.08.2006 | PORSCHE | PET | PORSCHE |
| 997t | 07 | 4 | 02 | 402-00 | | 203 | | | | | |

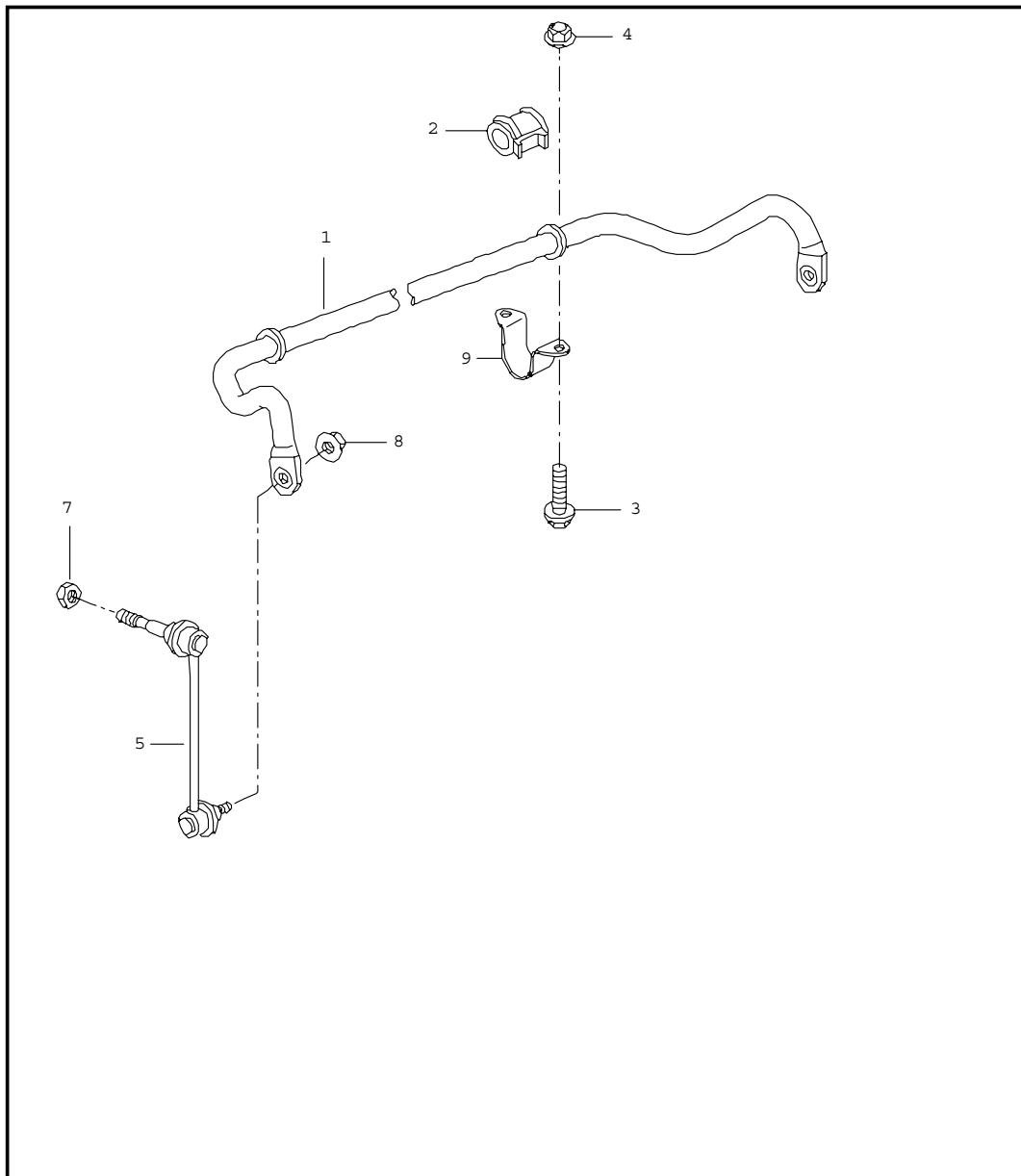


| Pos | Part Number | Name | Remarks | Qty | Model |
|------|----------------|---|---------|-----|-------|
| 1 | 997 343 047 11 | springs shock absorber strut shock absorber | /L | 1 | |
| (1) | 997 343 048 11 | shock absorber | /R | 1 | |
| - | 900 378 138 09 | mount shock absorber hexagon-head bolt M 12 X 1,5 X 70 | | 2 | |
| - | 999 084 445 09 | lock nut M 12 X 1,5 | | 2 | |
| 2 | 996 343 521 01 | concave washer | | 2 | |
| 4 | 997 343 533 29 | coil spring 1 set | | 1 | |
| 5 | 996 343 509 01 | 504 marked white green bellows | | 2 | |
| 6 | 996 343 301 02 | additional spring | | 2 | |
| 7 | 996 343 513 00 | washer | | 2 | |
| 8 | 997 343 107 00 | stop plate upper | | 2 | |
| (8) | 997 343 107 01 | stop plate lower | | 4 | |
| 9 | 996 343 525 00 | compensating plate 3,0 MM | | X | |
| (9) | 996 343 525 01 | compensating plate 6,5 MM | | X | |
| 10 | 996 343 523 00 | support ring | | 2 | |
| 11 | 996 343 501 00 | angular-contact bearing | | 2 | |
| 12 | 997 343 015 00 | supporting mount | /L | 1 | |
| (12) | 997 343 016 00 | supporting mount | /R | 1 | |
| - | 999 084 447 09 | hexagon nut M 8 | | 12 | |
| 13 | 900 380 012 09 | hexagon nut M 14 X 1,5 | | 2 | |
| 17 | 997 618 125 03 | control unit | | 1 | |

| | | | | | | | | | | | | |
|-------|------|----|----|--------------|--------------|--------|------|------------|---------|-----|---------|--|
| Model | Year | MG | SG | Illustration | Restrictions | Update | | | | | | |
| 997t | 07 | 4 | 02 | 402-00 | | 203 | 9:46 | 30.08.2006 | PORSCHE | PET | PORSCHE | |

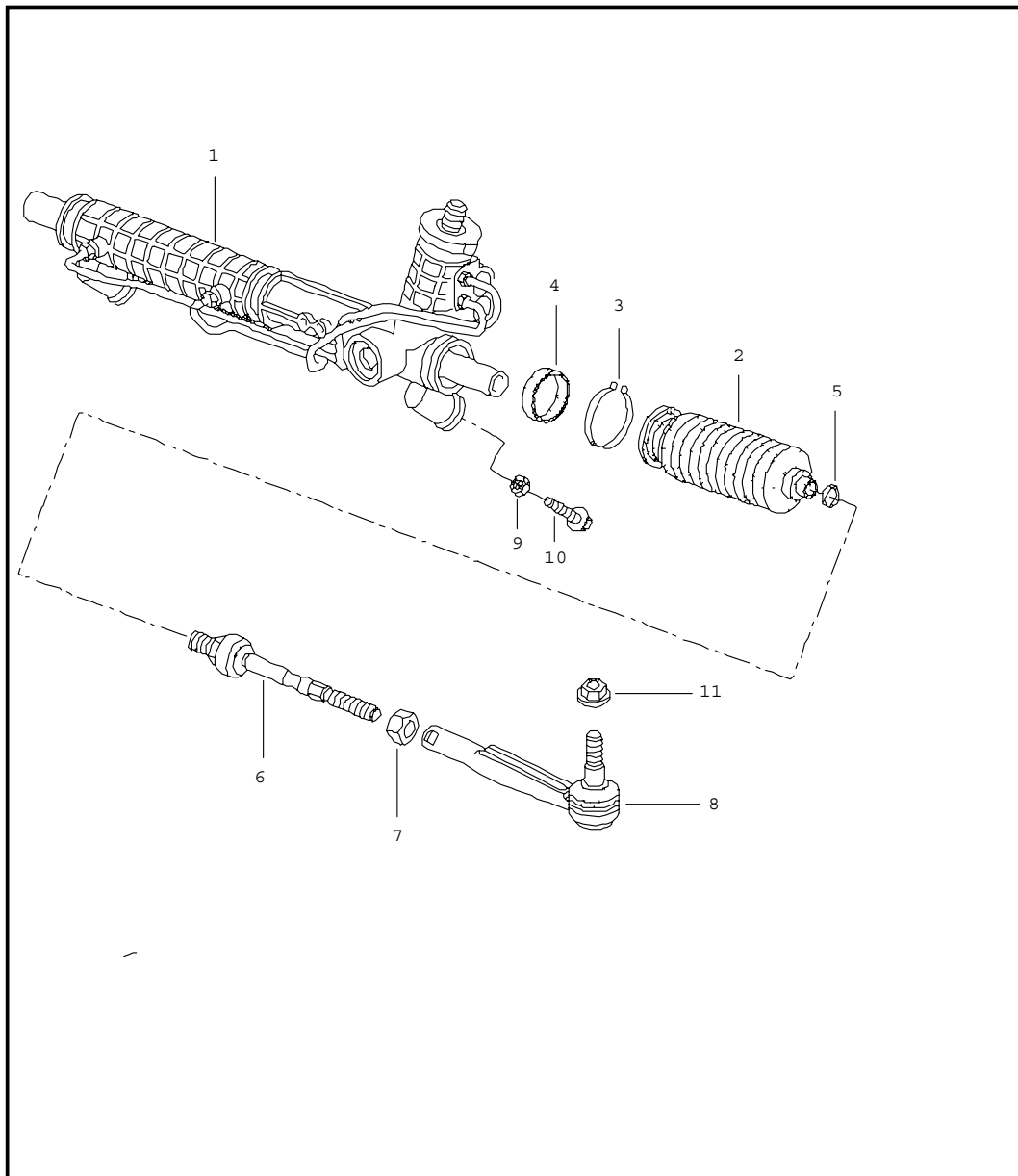
| Pos | Part Number | Name | Remarks | Qty | Model | Pos | Part Number | Name | Remarks | Qty | Model |
|-----|-------------|-------------------|---------|-----|-------|-----|-------------|------|---------|-----|-------|
| | | - - - E N D - - - | | | | | | | | | |

| | | | | | | | | | | | |
|-------|------|----|----|--------------|--------------|--------|------|------------|---------|-----|---------|
| Model | Year | MG | SG | Illustration | Restrictions | Update | 9:46 | 30.08.2006 | PORSCHE | PET | PORSCHE |
| 997t | 07 | 4 | 02 | 402-05 | | 203 | | | | | |



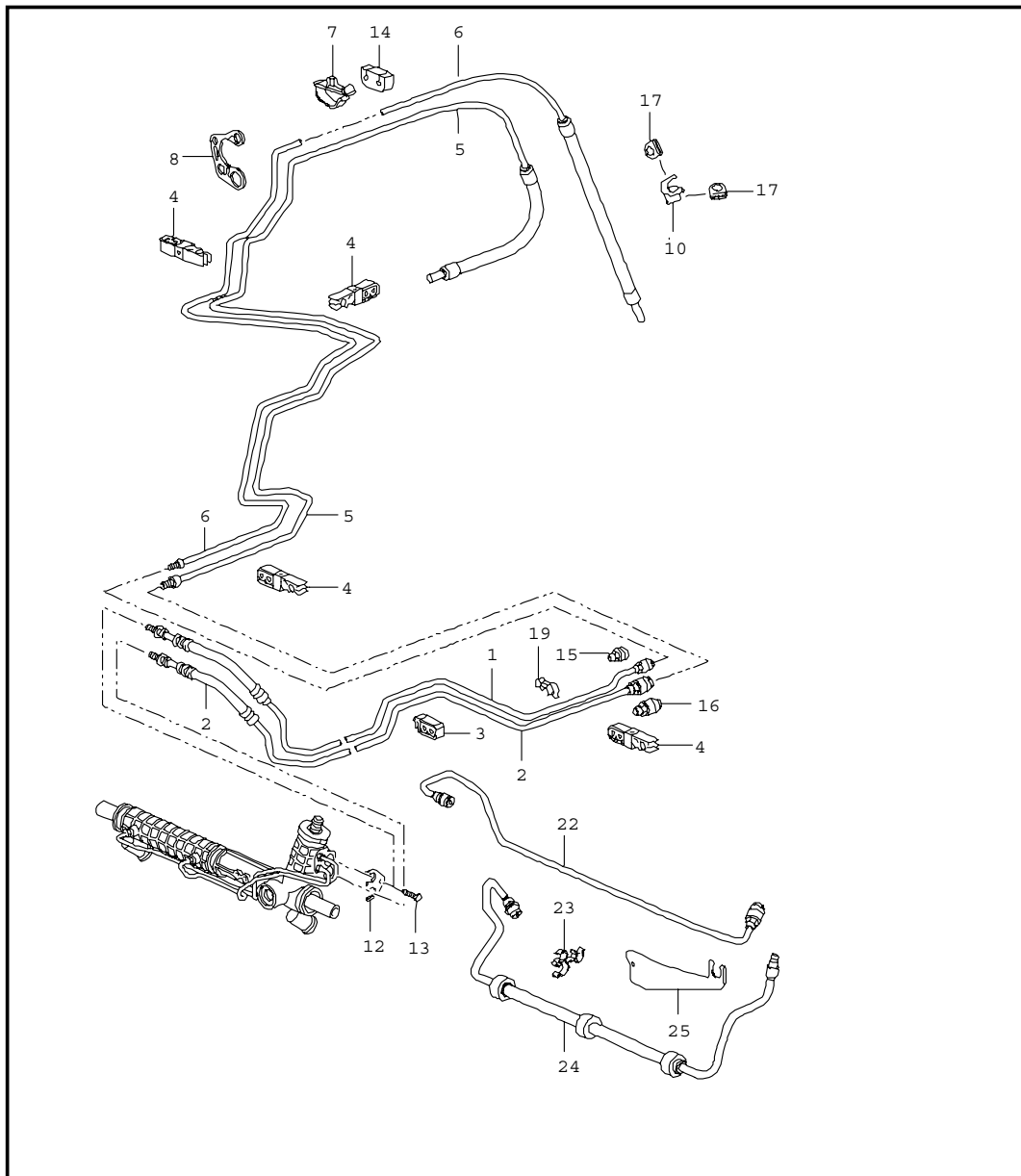
| Pos | Part Number | Name | Remarks | Qty | Model |
|-------------------|----------------|--------------------------------|---------|-----|-------|
| | | stabiliser | | | |
| 1 | 997 343 703 08 | stabiliser | | 1 | |
| 2 | 996 343 792 11 | stabiliser mounting | | 2 | |
| 3 | 900 378 098 09 | hexagon-head bolt m 10 x 60 | | 2 | |
| 4 | 900 380 008 09 | hexagon nut M 10 | | 4 | |
| 5 | 997 343 073 02 | stabiliser mounting | /L | 1 | |
| (5) | 997 343 074 02 | stabiliser mounting | /R | 1 | |
| 7 | 999 084 445 09 | lock nut M 12 X 1,5 | | 4 | |
| 8 | 999 084 643 09 | hexagon nut M 10 | | 4 | |
| 9 | 997 343 777 01 | clip | | 2 | |
| - - - E N D - - - | | | | | |

| | | | | | | | | | | | |
|-------|------|----|----|--------------|--------------|--------|------|------------|---------|-----|---------|
| Model | Year | MG | SG | Illustration | Restrictions | Update | 9:46 | 30.08.2006 | PORSCHE | PET | PORSCHE |
| 997t | 07 | 4 | 03 | 403-00 | | 203 | | | | | |



| Pos | Part Number | Name | Remarks | Qty | Model |
|-----|----------------|---|---------|-----|-------|
| | | power steering steering gear steering parts | | | |
| (1) | 997 347 011 05 | steering gear power steering | /LL | 1 | I098 |
| (1) | 997 347 012 04 | steering gear power steering | /RL | 1 | I099 |
| - | 996 347 110 02 | clip pinion steering gear | | 1 | |
| 2 | 997 347 191 00 | bellows | /LL | 2 | I098 |
| 3 | 996 347 293 05 | clamping ring | /LL | 2 | I098 |
| 4 | 997 347 373 00 | sealing ring | /LL | 2 | I098 |
| 5 | 999 512 645 09 | hose clamp | | 2 | |
| 6 | 997 347 322 00 | joint | | 2 | |
| 7 | 999 034 037 09 | hexagon nut M 14 X 1,5 | | 2 | |
| 8 | 996 347 131 04 | track rod | | 2 | |
| 9 | - | see illustrations 4/01/00 POS.2 | | | |
| 10 | 900 378 100 09 | hexagon-head bolt AM 10 X 45 | | 2 | |
| 11 | 999 084 449 09 | hexagon nut M 12 X 1,5 | | 2 | |
| | | - - - E N D - - - | | | |

| | | | | | | | | | | | |
|-------|------|----|----|--------------|--------------|--------|------|------------|---------|-----|---------|
| Model | Year | MG | SG | Illustration | Restrictions | Update | 9:46 | 30.08.2006 | PORSCHE | PET | PORSCHE |
| 997t | 07 | 4 | 03 | 403-01 | | 203 | | | | | |

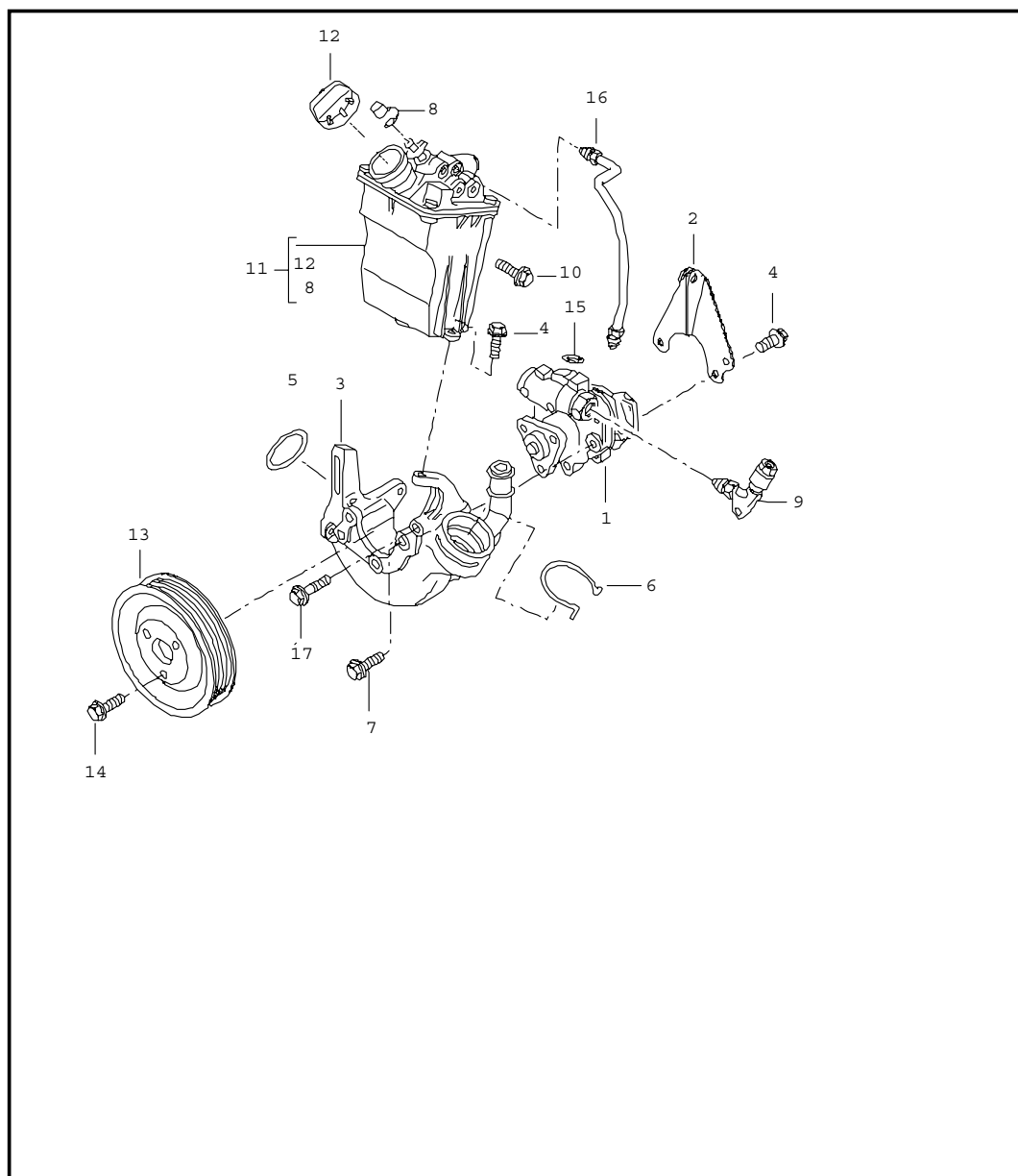


| Pos | Part Number | Name | Remarks | Qty | Model |
|-----|----------------|--|---------|-----|-------|
| | | power steering lines | | | |
| 1 | 997 347 451 03 | pressure line | /LL | 1 | I098 |
| (1) | 997 347 452 02 | pressure line | /RL | 1 | I099 |
| 2 | 987 347 449 03 | return line | /LL | 1 | I098 |
| (2) | 987 347 650 03 | return line | /RL | 1 | I099 |
| 3 | 996 347 543 00 | cable holder | | 4 | |
| 4 | 996 355 543 00 | support | | 3 | |
| (4) | 999 507 091 40 | cable holder simple | | 3 | |
| 5 | 997 347 439 51 | return line centre | | 1 | |
| 6 | 997 347 445 51 | pressure line | | 1 | |
| 7 | 996 347 549 01 | support | | 2 | |
| 8 | 997 347 544 00 | support | | 1 | |
| - | 999 230 683 40 | safety clip for threaded joint pressure line | | 1 | |
| - | 999 230 584 40 | circlip for threaded joint return line | /LL | 1 | I098 |
| - | 999 230 584 40 | circlip for threaded joint return line | /RL | 2 | I099 |
| 10 | 997 347 749 00 | support | | 1 | |
| 12 | 996 347 769 01 | tension shackle | | 1 | |
| 13 | 900 067 063 02 | pan-head screw M 10 X 20 | | 1 | |
| 14 | 996 347 551 01 | retainer plate | | 1 | |
| 15 | 999 230 539 10 | threaded joint | | X | |
| 16 | 999 230 540 10 | threaded joint | | X | |
| 17 | 999 702 210 40 | rubber sleeve | | 2 | |
| 22 | 997 347 564 02 | pressure line | /RL | 1 | I099 |

| | | | | | | | | | | | |
|-------|------|----|----|--------------|--------------|--------|------|------------|---------|-----|---------|
| Model | Year | MG | SG | Illustration | Restrictions | Update | 9:46 | 30.08.2006 | PORSCHE | PET | PORSCHE |
| 997t | 07 | 4 | 03 | 403-01 | | 203 | | | | | |

| Pos | Part Number | Name | Remarks | Qty | Model | Pos | Part Number | Name | Remarks | Qty | Model |
|-----|----------------|-------------------|---------|-----|-------|-----|-------------|------|---------|-----|-------|
| 23 | 999 507 963 40 | support | /RL | 1 | I099 | | | | | | |
| 24 | 997 347 462 02 | return line | /RL | 1 | I099 | | | | | | |
| 25 | 997 347 560 00 | support | /RL | 1 | I099 | | | | | | |
| | | - - - E N D - - - | | | | | | | | | |

| | | | | | | | | | | | |
|-------|------|----|----|--------------|--------------|--------|------|------------|---------|-----|---------|
| Model | Year | MG | SG | Illustration | Restrictions | Update | 9:47 | 30.08.2006 | PORSCHE | PET | PORSCHE |
| 997t | 07 | 4 | 03 | 403-03 | | 203 | | | | | |

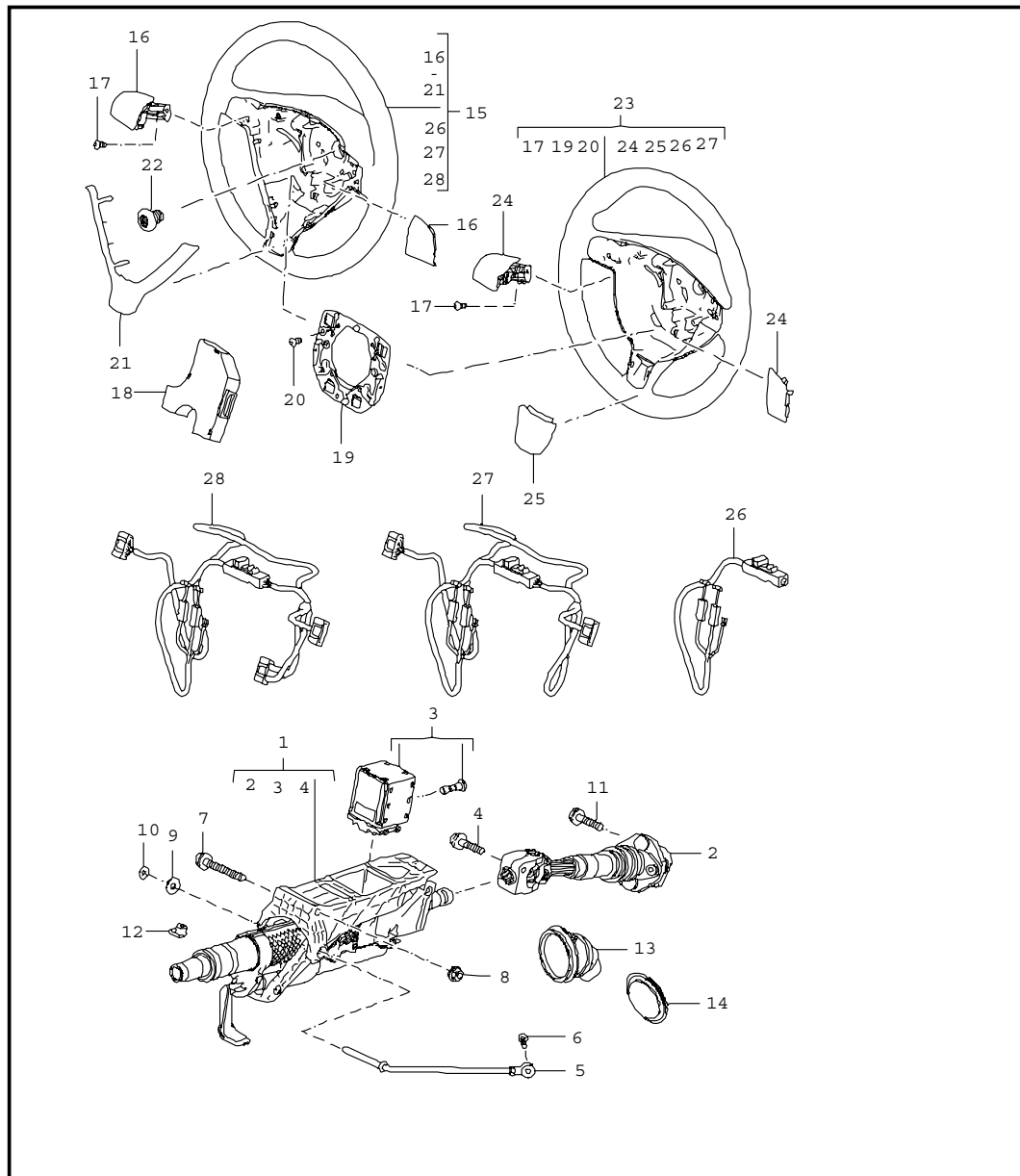


| Pos | Part Number | Name | Remarks | Qty | Model |
|------|----------------|--|---------|-----|-------|
| | | power steering power-steering pump container | | | |
| 1 | 996 314 050 51 | power-steering pump | | 1 | I249 |
| (1) | 997 314 040 00 | power-steering pump | | 1 | I480 |
| 2 | 996 314 431 53 | bracket | | 1 | I249 |
| (2) | 996 314 431 32 | bracket | | 1 | I480 |
| 3 | 997 115 091 71 | bracket | | 1 | |
| 4 | 900 385 044 01 | torx screw M 8 X 16 | | 2 | |
| 5 | 999 707 298 40 | o-ring | | 1 | |
| 6 | 996 106 802 10 | retainer spring | | 1 | |
| 7 | 900 385 098 01 | torx screw M 8 X 25 | | 3 | |
| 8 | 997 314 332 00 | rubber cap | | 1 | |
| 9 | 997 347 643 51 | pressure line | | 1 | |
| - | 999 707 355 40 | sealing ring 7,65 x 1,65 | | 1 | |
| (9) | 996 347 643 53 | pressure line | | 1 | |
| - | 999 707 503 40 | sealing ring 7,8 x 1,7 | | 1 | |
| 11 | 997 314 920 50 | container | | 1 | I249 |
| (11) | 997 314 920 30 | container | | 1 | I480 |
| - | 996 314 331 00 | drip pan for pentosin | | 1 | |
| 12 | 997 314 223 50 | cover | | 1 | |
| - | 999 707 364 41 | sealing ring 30 X 2,5 | | 1 | |
| 13 | 996 147 223 71 | pulley | | 1 | |
| 14 | 900 385 099 04 | torx screw bm 8 x 12 | | 3 | |
| 15 | 999 707 204 40 | sealing ring 12.5 X 2N | | 1 | |
| 16 | 997 314 269 00 | pressure line | | 1 | I480 |

| | | | | | | | | | | | | |
|-------|------|----|----|--------------|--------------|--------|------|------------|---------|-----|---------|--|
| Model | Year | MG | SG | Illustration | Restrictions | Update | | | | | | |
| 997t | 07 | 4 | 03 | 403-03 | | 203 | 9:47 | 30.08.2006 | PORSCHE | PET | PORSCHE | |

| Pos | Part Number | Name | Remarks | Qty | Model | Pos | Part Number | Name | Remarks | Qty | Model |
|-----|----------------|-------------------------|---------|-----|-------|-----|-------------|------|---------|-----|-------|
| 17 | 900 385 108 01 | torx screw bm 6 x 80 | | 1 | I249 | | | | | | |
| - | 000 043 203 33 | pentosin 1000 ML | | X | | | | | | | |
| | | - - - E N D - - - | | | | | | | | | |

| | | | | | | | | | | | |
|-------|------|----|----|--------------|--------------|--------|------|------------|---------|-----|---------|
| Model | Year | MG | SG | Illustration | Restrictions | Update | 9:47 | 30.08.2006 | PORSCHE | PET | PORSCHE |
| 997t | 07 | 4 | 03 | 403-05 | | 203 | | | | | |



| Pos | Part Number | Name | Remarks | Qty | Model |
|------|----------------|--|---------|-----|-----------|
| 1 | 997 347 007 09 | steering outer tube steering shaft steering wheels | | 1 | |
| (2) | 997 347 023 04 | steering column complete with steering shaft | | 1 | |
| 3 | 997 618 158 03 | intermed. steering shaft | | 1 | |
| 4 | 997 618 158 03 | control unit steering column with screw | | 1 | |
| 5 | 999 217 042 09 | hexagon-head bolt M 8 X 35 | | 1 | |
| 6 | 997 347 243 00 | support | | 1 | |
| 7 | 900 378 173 09 | hexagon-head bolt AM 6 X 20 | | 1 | |
| 8 | 900 378 095 09 | hexagon-head bolt M 10 X 100 | | 1 | |
| 9 | 900 380 008 09 | hexagon nut M 10 | | 1 | |
| 10 | 900 151 006 09 | washer | | 1 | |
| 11 | 999 507 217 07 | clamping washer | | 1 | |
| 12 | 999 217 042 09 | hexagon-head bolt M 8 X 35 | | 1 | |
| 13 | 999 920 019 40 | special nut 3,5 X 2,5 X 9 | | 1 | |
| 14 | 986 347 037 01 | bellows | | 1 | |
| 15 | 996 347 339 02 | rubber seal bulkhead | | 1 | |
| (15) | 997 347 804 01 | steering wheel plain leather | | 1 | I459/I480 |
| | FOK | black/grey | | | |
| | FOL | stone grey/stone grey | | | |
| | FOM | sand beige/sand beige | | | |
| | FON | palm-green/palm-green | | | |
| | FOO | seeblue/grey | | | |

| | | | | | | | | | | | |
|-------|------|----|----|--------------|--------------|--------|------|------------|---------|-----|---------|
| Model | Year | MG | SG | Illustration | Restrictions | Update | 9:47 | 30.08.2006 | PORSCHE | PET | PORSCHE |
| 997t | 07 | 4 | 03 | 403-05 | | 203 | | | | | |

| Pos | Part Number | Name | Remarks | Qty | Model | Pos | Part Number | Name | Remarks | Qty | Model |
|------|----------------|--|---------|-----|-----------|------|----------------|---|---------|-----|-----------|
| | | FOP terrakotta/terrakotta | | | | | | FOM sand beige/sand beige | | | |
| | | FOQ cocoa/cocoa | | | | | | FON palm-green/palm-green | | | |
| | | FOR darkgrey natural/grey | | | | | | FOO seeblue/grey | | | |
| | | FOS brown nat./brown nat. | | | | | | FOP terrakotta/terrakotta | | | |
| (15) | 997 347 804 11 | steering wheel plain leather | | 1 | I459/I249 | | | FOQ cocoa/cocoa | | | |
| | | FOK black/grey | | | | | | FOR darkgrey natural/grey | | | |
| | | FOL stone grey/stone grey | | | | (15) | 997 347 804 22 | steering wheel multiple function wood makassar | | 1 | I451/I480 |
| | | FOM sand beige/sand beige | | | | | | FOK black/grey | | | |
| | | FON palm-green/palm-green | | | | | | FOL stone grey/stone grey | | | |
| | | FOO seeblue/grey | | | | | | FOM sand beige/sand beige | | | |
| | | FOP terrakotta/terrakotta | | | | | | FON palm-green/palm-green | | | |
| | | FOQ cocoa/cocoa | | | | | | FOO seeblue/grey | | | |
| | | FOR darkgrey natural/grey | | | | | | FOP terrakotta/terrakotta | | | |
| | | FOS brown nat./brown nat. | | | | | | FOQ cocoa/cocoa | | | |
| (15) | 997 347 804 05 | steering wheel plain leather multiple function | | 1 | I431/I480 | | | FOR darkgrey natural/grey | | | |
| | | FOK black/grey | | | | | | FOS brown nat./brown nat. | | | |
| | | FOL stone grey/stone grey | | | | (15) | 997 347 804 32 | steering wheel multiple function wood makassar | | 1 | I451/I249 |
| | | FOM sand beige/sand beige | | | | | | FOK black/grey | | | |
| | | FON palm-green/palm-green | | | | | | FOL stone grey/stone grey | | | |
| | | FOO seeblue/grey | | | | | | FOM sand beige/sand beige | | | |
| | | FOP terrakotta/terrakotta | | | | | | FON palm-green/palm-green | | | |
| | | FOQ cocoa/cocoa | | | | | | FOO seeblue/grey | | | |
| | | FOR darkgrey natural/grey | | | | | | FOP terrakotta/terrakotta | | | |
| | | FOS brown nat./brown nat. | | | | | | FOQ cocoa/cocoa | | | |
| (15) | 997 347 804 06 | steering wheel plain leather multiple function | | 1 | I431/I249 | | | FOR darkgrey natural/grey | | | |
| | | FOK black/grey | | | | | | | | | |
| | | FOL stone grey/stone grey | | | | | | | | | |

| | | | | | | | | | | | |
|-------|------|----|----|--------------|--------------|--------|------|------------|---------|-----|---------|
| Model | Year | MG | SG | Illustration | Restrictions | Update | 9:47 | 30.08.2006 | PORSCHE | PET | PORSCHE |
| 997t | 07 | 4 | 03 | 403-05 | | 203 | | | | | |

| Pos | Part Number | Name | Remarks | Qty | Model | Pos | Part Number | Name | Remarks | Qty | Model |
|------|----------------|---|---------|-----|-----------|------|----------------|---|---------|-----|-----------|
| (15) | 997 347 804 23 | brown nat./brown nat. steering wheel multiple function wood sycamore wood | | 1 | I452/I480 | | FON | palm-green/palm-green | | | |
| | | FOK black/grey | | | | | FOO | seeblue/grey | | | |
| | | FOL stone grey/stone grey | | | | | FOP | terrakotta/terrakotta | | | |
| | | FOM sand beige/sand beige | | | | | FOQ | cocoa/cocoa | | | |
| | | FON palm-green/palm-green | | | | | FOR | darkgrey natural/grey | | | |
| | | FOO seeblue/grey | | | | (15) | 997 347 804 34 | steering wheel multiple function carbon | | 1 | I453/I249 |
| | | FOP terrakotta/terrakotta | | | | | FOK | black/grey | | | |
| | | FOQ cocoa/cocoa | | | | | FOL | stone grey/stone grey | | | |
| | | FOR darkgrey natural/grey | | | | | FOM | sand beige/sand beige | | | |
| (15) | 997 347 804 33 | brown nat./brown nat. steering wheel multiple function wood sycamore wood | | 1 | I452/I249 | | FON | palm-green/palm-green | | | |
| | | FOK black/grey | | | | | FOO | seeblue/grey | | | |
| | | FOL stone grey/stone grey | | | | | FOP | terrakotta/terrakotta | | | |
| | | FOM sand beige/sand beige | | | | | FOQ | cocoa/cocoa | | | |
| | | FON palm-green/palm-green | | | | | FOR | darkgrey natural/grey | | | |
| | | FOO seeblue/grey | | | | (15) | 997 347 981 00 | steering wheel multiple function aluminium look | | 1 | I480/IXPV |
| | | FOP terrakotta/terrakotta | | | | | A34 | black | | | |
| | | FOQ cocoa/cocoa | | | | | B24 | stone grey | | | |
| | | FOR darkgrey natural/grey | | | | | D14 | dark grey/natural | | | |
| | | FOS brown nat./brown nat. | | | | | E24 | sea blue | | | |
| (15) | 997 347 804 24 | brown nat./brown nat. steering wheel multiple function carbon | | 1 | I453/I480 | | J24 | palmgreen | | | |
| | | FOK black/grey | | | | | M24 | terracotta | | | |
| | | FOL stone grey/stone grey | | | | | R24 | cocoa | | | |
| | | FOM sand beige/sand beige | | | | | T24 | sand beige | | | |
| | | | | | | | T34 | brown/natural | | | |

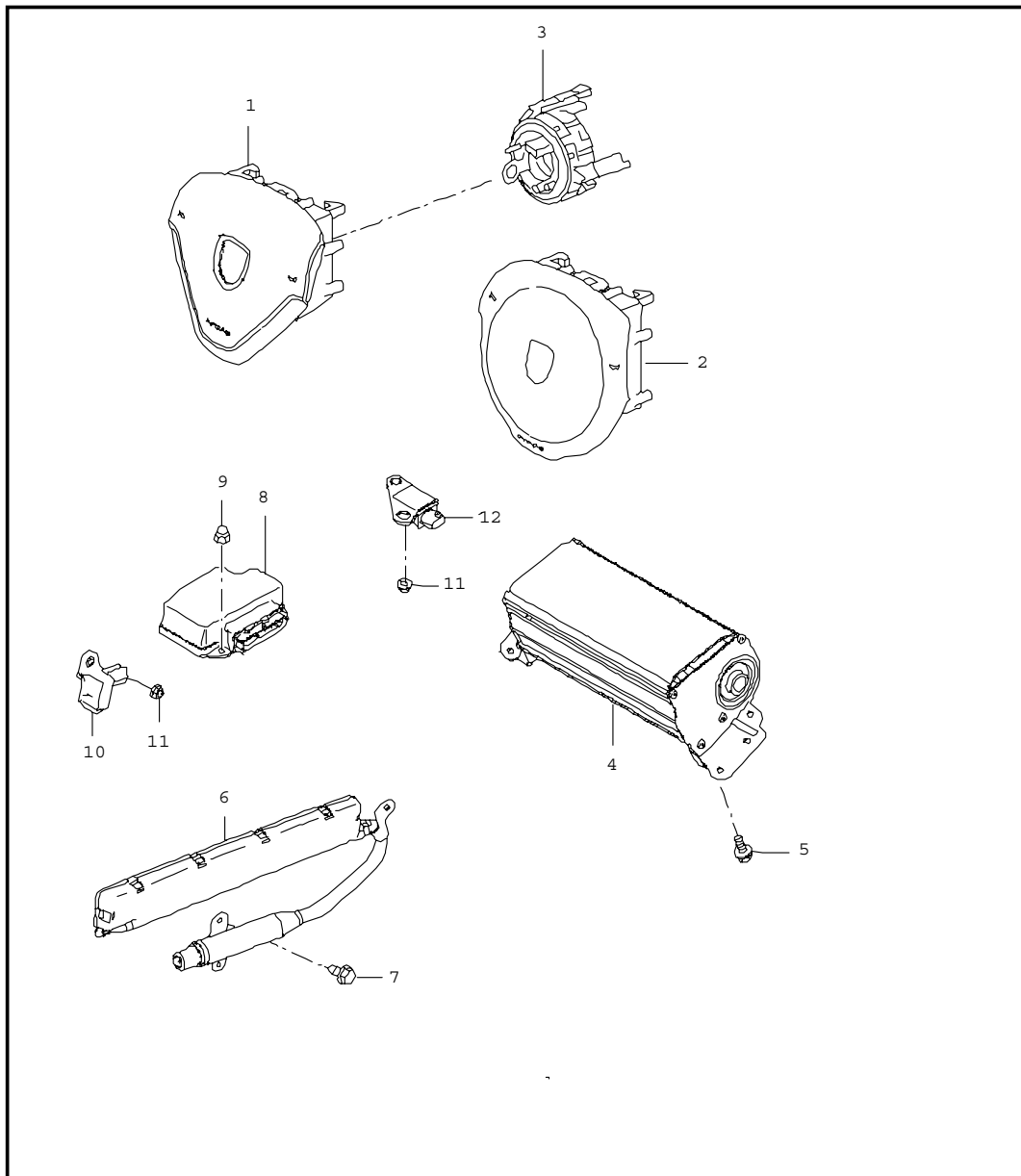
| | | | | | | | | | | | |
|-------|------|----|----|--------------|--------------|--------|------|------------|---------|-----|---------|
| Model | Year | MG | SG | Illustration | Restrictions | Update | 9:47 | 30.08.2006 | PORSCHE | PET | PORSCHE |
| 997t | 07 | 4 | 03 | 403-05 | | 203 | | | | | |

| Pos | Part Number | Name | Remarks | Qty | Model | Pos | Part Number | Name | Remarks | Qty | Model |
|------|----------------|--|---------|-----|-----------|------|----------------|---|---------|-----|-------------------------|
| (15) | 997 347 981 01 | steering wheel multiple function aluminium look | | 1 | I432/IXPV | (16) | 997 613 435 02 | gearshift unit multiple function with tiptronic lever | /L | 1 | I249 |
| | A34 | black | | | | | V04 | galvano silver | | | |
| | B24 | stone grey | | | | (16) | 997 613 436 02 | gearshift unit multiple function with tiptronic lever | /R | 1 | I249 |
| | D14 | dark grey/natural | | | | | V04 | galvano silver | | | |
| | E24 | sea blue | | | | 17 | 999 073 318 09 | half-round screw M 4 X 10 | | 2 | |
| | J24 | palmgreen | | | | 18 | 997 613 445 02 | electronic unit multiple function | | 1 | I431/I451/ I452/I453 |
| | M24 | terracotta | | | | 19 | 997 347 880 00 | retaining frame | | 1 | |
| | R24 | cocoa | | | | 20 | 999 141 022 09 | round head screw M 5 X 12,5 | | 4 | |
| | T24 | sand beige | | | | 21 | 997 347 821 00 | cover | | 1 | |
| | T34 | brown/natural | | | | | D07 | volcano grey | | | |
| 16 | 997 347 837 00 | cover | /L | 1 | I480 | 22 | N 910 207 01 | screw M 18 X 1,5 X 26 | | 1 | |
| | V04 | galvano silver | | | | (23) | 997 347 804 41 | sports steering wheel plain leather | | 1 | I460/I480 |
| (16) | 997 347 838 00 | cover | /R | 1 | I480 | | FOK | black/grey | | | |
| | V04 | galvano silver | | | | | FOL | stone grey/stone grey | | | |
| (16) | 997 613 431 02 | gearshift unit with tiptronic lever | /L | 1 | I249 | | FOM | sand beige/sand beige | | | |
| | V04 | galvano silver | | | | | FON | palm-green/palm-green | | | |
| (16) | 997 613 432 02 | gearshift unit with tiptronic lever | /R | 1 | I249 | | FOO | seeblue/grey | | | |
| | V04 | galvano silver | | | | | FOP | terrakotta/terrakotta | | | |
| (16) | 997 613 433 02 | gearshift unit multiple function manual transmission | /L | 1 | I480 | | FOQ | cocoa/cocoa | | | |
| | V04 | galvano silver | | | | | FOR | darkgrey natural/grey | | | |
| (16) | 997 613 434 02 | gearshift unit multiple function manual transmission | /R | 1 | I480 | | FOS | brown nat./brown nat. | | | |
| | V04 | galvano silver | | | | (23) | 997 347 804 51 | sports steering wheel plain leather | | 1 | I460/I249 |

| | | | | | | | | | | | |
|-------|------|----|----|--------------|--------------|--------|------|------------|---------|-----|---------|
| Model | Year | MG | SG | Illustration | Restrictions | Update | 9:47 | 30.08.2006 | PORSCHE | PET | PORSCHE |
| 997t | 07 | 4 | 03 | 403-05 | | 203 | | | | | |

| Pos | Part Number | Name | Remarks | Qty | Model | Pos | Part Number | Name | Remarks | Qty | Model |
|------|----------------|--|---------|-----|-----------|------|----------------|---|---------|-----|---------------------|
| | | FOK black/grey | | | | | T34 | brown/natural | | | |
| | | FOL stone grey/stone grey | | | | 24 | 997 347 837 40 | cover | /L | 1 | I480 |
| | | FOM sand beige/sand beige | | | | | V04 | galvano silver | | | |
| | | FON palm-green/palm-green | | | | (24) | 997 347 838 40 | cover | /R | 1 | I480 |
| | | FOO seeblue/grey | | | | | V04 | galvano silver | | | |
| | | FOP terrakotta/terrakotta | | | | (24) | 997 613 437 02 | gearshift unit with tiptronic lever | /R | 1 | I249 |
| | | FOQ cocoa/cocoa | | | | | V04 | galvano silver | | | |
| | | FOR darkgrey natural/grey | | | | (24) | 997 613 438 02 | gearshift unit with tiptronic lever | /R | 1 | I249 |
| (23) | 997 347 980 00 | FOS brown nat./brown nat. sports steering wheel leather | | 1 | I480/IXPA | | | | | | |
| | | A34 black | | | | | V04 | galvano silver | | | |
| | | B24 stone grey | | | | 25 | 997 347 821 40 | cover | | 1 | |
| | | D14 dark grey/natural | | | | | V04 | galvano silver | | | |
| | | E24 sea blue | | | | 26 | 997 612 672 00 | wiring harness 3-spoke steering wheel sports steering wheel without multiple function manual transmission | | 1 | I480 |
| | | J24 stone grey | | | | | | | | | |
| | | M24 terracotta | | | | | | | | | |
| | | R24 cocoa | | | | | | | | | |
| | | T24 sand beige | | | | 27 | 997 612 674 00 | wiring harness 3-spoke steering wheel sports steering wheel without multiple function tiptronic | | 1 | I249 |
| (23) | 997 347 980 01 | T34 brown/natural sports steering wheel leather | | 1 | I432/IXPA | | | | | | |
| | | A34 black | | | | 28 | 997 612 673 00 | wiring harness 3-spoke steering wheel with multiple function manual transmission tiptronic | | 1 | I431/I451/I452/I453 |
| | | B24 stone grey | | | | | | | | | |
| | | D14 dark grey/natural | | | | | | | | | |
| | | E24 sea blue | | | | | | | | | |
| | | J24 palmgreen | | | | | | | | | |
| | | M24 terracotta | | | | | | | | | |
| | | R24 cocoa | | | | | | | | | |
| | | T24 sand beige | | | | | | | | | |
| | | | | | | | | - - - E N D - - - | | | |

| | | | | | | | | | | | |
|-------|------|----|----|--------------|--------------|--------|------|------------|---------|-----|---------|
| Model | Year | MG | SG | Illustration | Restrictions | Update | 9:47 | 30.08.2006 | PORSCHE | PET | PORSCHE |
| 997t | 07 | 4 | 03 | 403-06 | | 203 | | | | | |

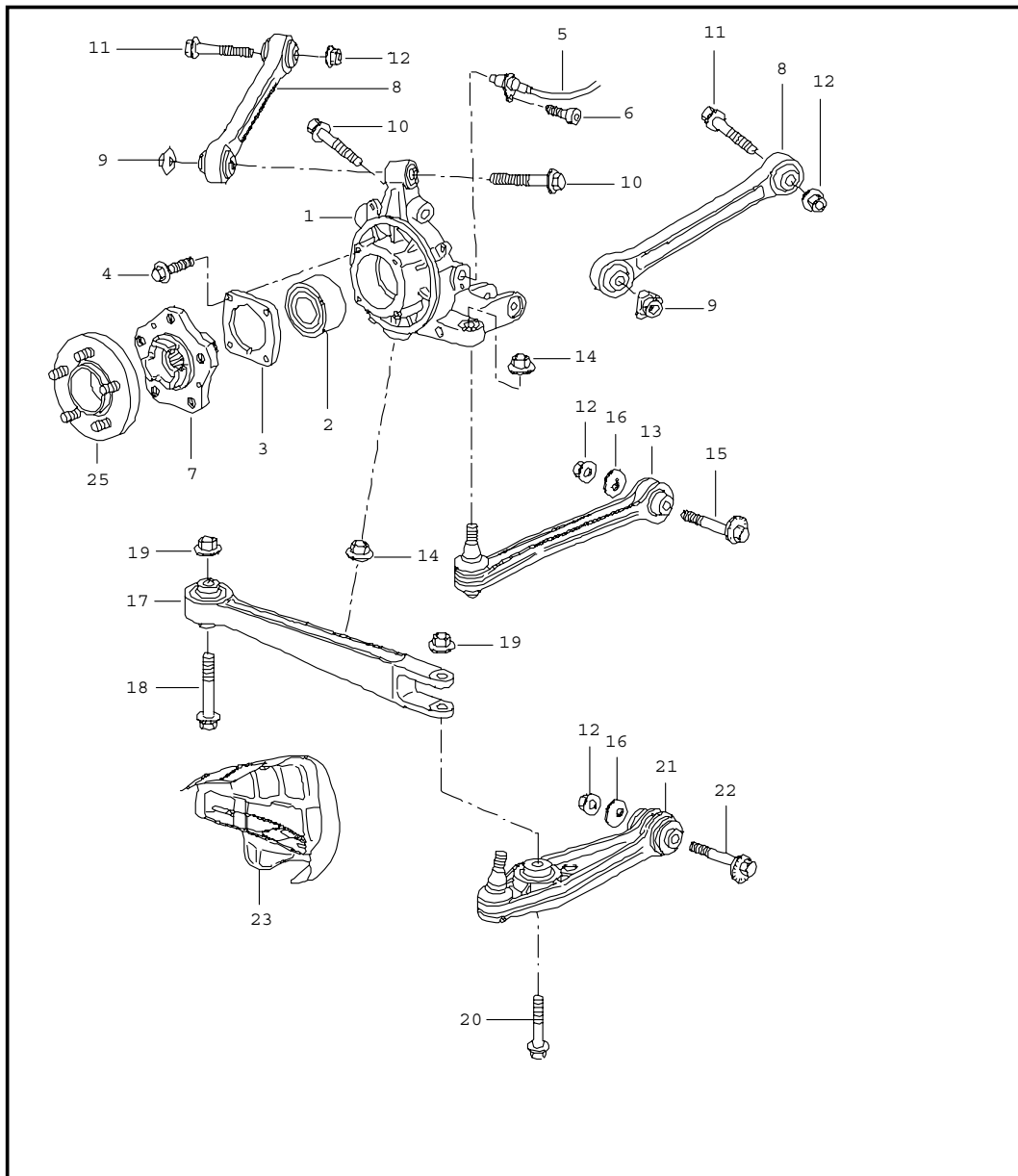


| Pos | Part Number | Name | Remarks | Qty | Model |
|-----|----------------|--|---------|-----|---------------------------------------|
| (1) | 997 803 089 14 | airbag airbag unit 3-spoke steering wheel leather emblem coloured | | 1 | I431/I451/ I452/I453/ I459/I991 |
| | A34 | black | | | |
| | B24 | stone grey | | | |
| | T24 | sand beige | | | |
| | E24 | sea blue | | | |
| | J24 | palmgreen | | | |
| | M24 | terracotta | | | |
| | R24 | cocoa | | | |
| | D14 | dark grey/natural | | | |
| | T34 | brown/natural | | | |
| (1) | 997 803 089 14 | airbag unit 3-spoke steering wheel leather emblem coloured | | 1 | IXPV/I991 |
| | A34 | black | | | |
| | B24 | stone grey | | | |
| | T24 | sand beige | | | |
| | E24 | sea blue | | | |
| | J24 | palmgreen | | | |
| | M24 | terracotta | | | |
| | R24 | cocoa | | | |
| | D14 | dark grey/natural | | | |
| | T34 | brown/natural | | | |
| (2) | 997 803 089 17 | airbag unit sports steering wheel leather emblem coloured | | 1 | I460/I991 |
| | A34 | black | | | |

| | | | | | | | | | | | |
|-------|------|----|----|--------------|--------------|--------|------|------------|---------|-----|---------|
| Model | Year | MG | SG | Illustration | Restrictions | Update | | | | | |
| 997t | 07 | 4 | 03 | 403-06 | | 203 | 9:47 | 30.08.2006 | PORSCHE | PET | PORSCHE |

| Pos | Part Number | Name | Remarks | Qty | Model | Pos | Part Number | Name | Remarks | Qty | Model |
|-----|----------------|---|---------|-----|-----------|-----|----------------|--|-------------------|-----|-------|
| | B24 | stone grey | | | | 7 | 900 378 035 09 | hexagon-head bolt M 6 X 16 | | 6 | |
| | T24 | sand beige | | | | (8) | 997 618 217 08 | control unit | | 1 | |
| | E24 | sea blue | | | | 9 | 999 070 015 02 | cap nut M 6 | | 3 | |
| | J24 | palmgreen | | | | 10 | 997 618 221 01 | sensor side airbag | | 2 | |
| | M24 | terracotta | | | | 11 | 999 084 629 09 | hexagon nut M 6 | | 8 | |
| | R24 | cocoa | | | | 12 | 997 618 223 01 | acceleration sensor airbag front | | 2 | |
| | D14 | dark grey/natural | | | | | | | | | |
| | T34 | brown/natural | | | | | | | | | |
| (2) | 997 803 089 17 | airbag unit sports steering wheel leather emblem coloured | | 1 | IXPA/I991 | | | | | | |
| | A34 | black | | | | | | | - - - E N D - - - | | |
| | B24 | stone grey | | | | | | | | | |
| | T24 | sand beige | | | | | | | | | |
| | E24 | sea blue | | | | | | | | | |
| | J24 | palmgreen | | | | | | | | | |
| | M24 | terracotta | | | | | | | | | |
| | R24 | cocoa | | | | | | | | | |
| | D14 | dark grey/natural | | | | | | | | | |
| | T34 | brown/natural | | | | | | | | | |
| 3 | 955 652 211 11 | spring with steering-angle sensor | | 1 | | | | | | | |
| 4 | 997 803 071 07 | airbag unit passenger's side | | 1 | | | | | | | |
| 5 | 900 378 222 09 | hexagon-head bolt M 6 X 16 | | 4 | | | | | | | |
| 6 | 997 803 091 03 | side airbag for head airbag | /L | 1 | | | | | | | |
| (6) | 997 803 092 03 | side airbag for head airbag | /R | 1 | | | | | | | |

| | | | | | | | | | | | |
|-------|------|----|----|--------------|--------------|--------|------|------------|---------|-----|---------|
| Model | Year | MG | SG | Illustration | Restrictions | Update | 9:47 | 30.08.2006 | PORSCHE | PET | PORSCHE |
| 997t | 07 | 5 | 01 | 501-00 | | 203 | | | | | |

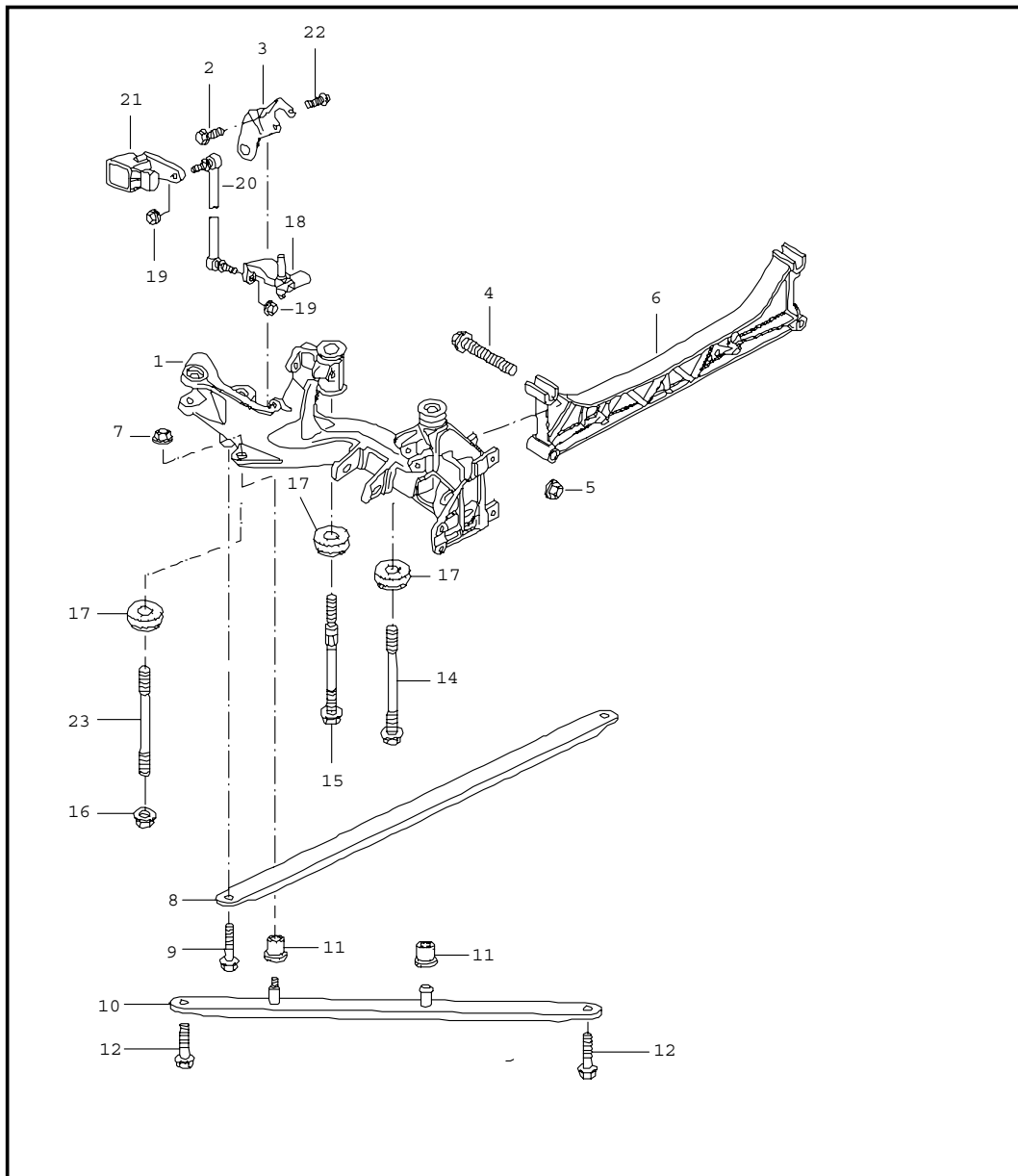


| Pos | Part Number | Name | Remarks | Qty | Model |
|-----|----------------|--|---------|-----|-------|
| | | rear axle wheel carrier control arm wheel hub | | | |
| 1 | 997 331 111 07 | wheel carrier | /L | 1 | |
| (1) | 997 331 112 07 | wheel carrier | /R | 1 | |
| 2 | 999 053 055 02 | angular-contact bearing | | 2 | |
| 3 | 996 331 661 01 | cover | | 2 | |
| 4 | 999 217 042 09 | hexagon-head bolt M 8 X 35 | | 8 | |
| 5 | 997 606 407 01 | speed sensor | | 2 | |
| 6 | 900 067 117 09 | pan-head screw M 6 X 16 | | 2 | |
| 7 | 997 331 605 00 | wheel hub | | 2 | |
| 8 | 997 331 047 00 | control arm | | 2 | |
| 9 | 999 084 445 09 | lock nut M 12 X 1,5 | | 4 | |
| 10 | 900 378 138 09 | hexagon-head bolt M 12 X 70 | | 4 | |
| 11 | 900 378 165 09 | hexagon-head bolt M 12 X 95 | | 4 | |
| 12 | 999 084 445 09 | lock nut M 12 X 1,5 | | 10 | |
| 13 | 997 331 045 04 | track rod | | 2 | |
| 14 | 999 084 449 09 | hexagon nut M 12 X 1,5 | | 4 | |
| 15 | 996 331 217 02 | eccentric screw M 12 X 83 | | 2 | |
| 16 | 996 331 219 00 | eccentric washer | | 2 | |
| 17 | 997 331 043 01 | control arm | | 2 | |
| 18 | 900 378 051 09 | hexagon-head bolt M 14 X 100 | | 2 | |
| 19 | 900 380 012 09 | hexagon nut M 14 X 1,5 | | 4 | |
| 20 | 900 378 135 09 | hexagon-head bolt M 14 X 75 | | 2 | |

| | | | | | | | | | | | |
|-------|------|----|----|--------------|--------------|--------|------|------------|---------|-----|---------|
| Model | Year | MG | SG | Illustration | Restrictions | Update | 9:47 | 30.08.2006 | PORSCHE | PET | PORSCHE |
| 997t | 07 | 5 | 01 | 501-00 | | 203 | | | | | |

| Pos | Part Number | Name | Remarks | Qty | Model | Pos | Part Number | Name | Remarks | Qty | Model |
|------|----------------|--------------------------------------|---------|-----|-------|-----|-------------|------|---------|-----|-------|
| 21 | 997 331 053 01 | control arm | | 2 | | | | | | | |
| 22 | 996 331 217 03 | eccentric screw | | 2 | | | | | | | |
| 23 | 997 331 487 02 | spoiler | /L | 1 | | | | | | | |
| (23) | 997 331 488 02 | spoiler | /R | 1 | | | | | | | |
| - | 996 361 617 00 | spacer ring 17 mm with bolt | | 2 | XRN | | | | | | |
| | | - - - E N D - - - | | | | | | | | | |

| | | | | | | | | | | | |
|-------|------|----|----|--------------|--------------|--------|------|------------|---------|-----|---------|
| Model | Year | MG | SG | Illustration | Restrictions | Update | 9:48 | 30.08.2006 | PORSCHE | PET | PORSCHE |
| 997t | 07 | 5 | 01 | 501-01 | | 203 | | | | | |

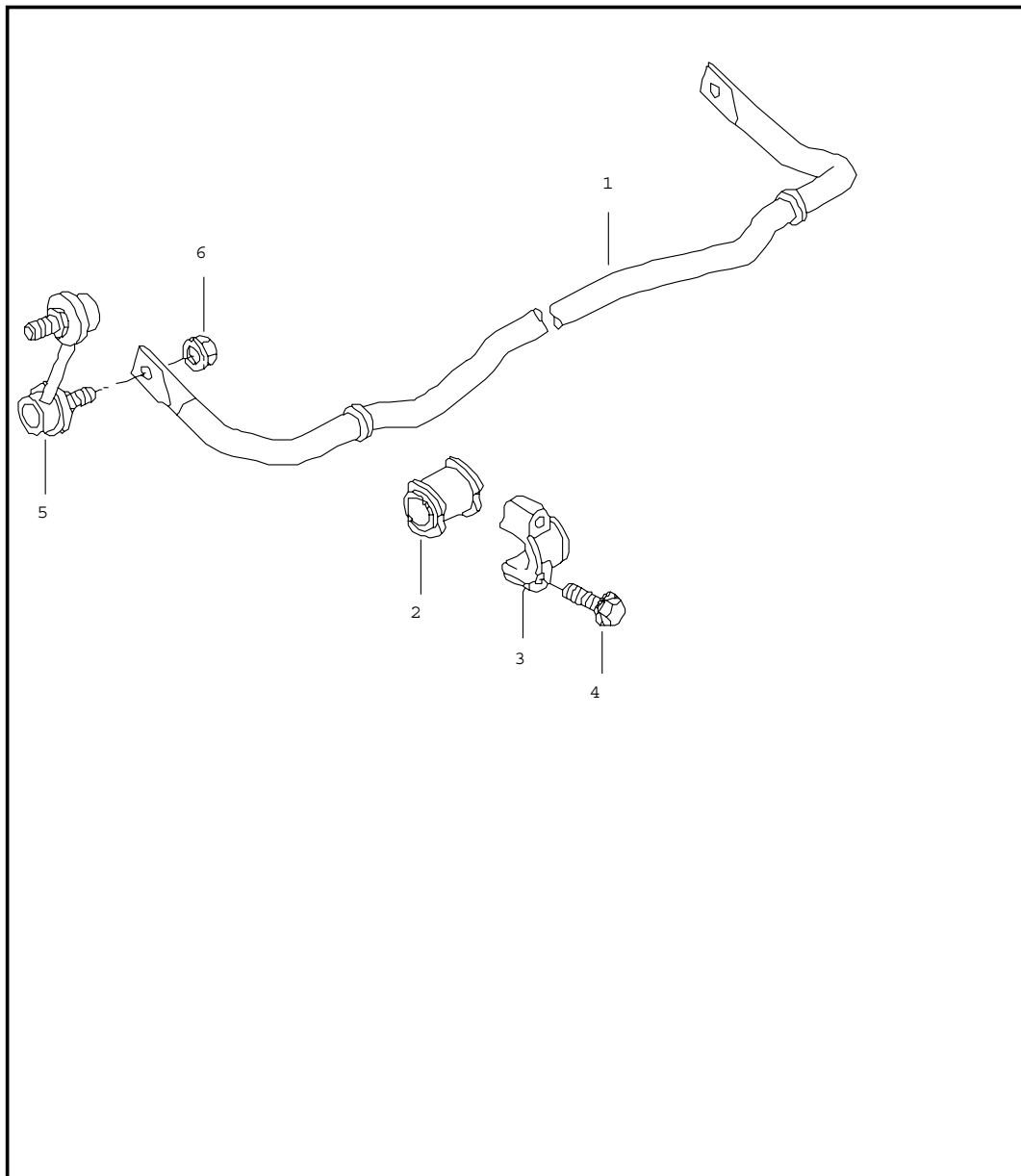


| Pos | Part Number | Name | Remarks | Qty | Model |
|------|----------------|--------------------------------------|---------|-----|-------|
| | | rear axle side section bracket | | | |
| 1 | 997 331 051 05 | side section | /L | 1 | |
| (1) | 997 331 052 05 | side section | /R | 1 | |
| 2 | 900 067 117 09 | pan-head screw M 6 X 16 | | 2 | |
| 3 | 997 355 505 02 | support for brake hose | /L | 1 | |
| (3) | 997 355 506 02 | support for brake hose | /R | 1 | |
| 4 | 900 378 139 09 | hexagon-head bolt M 12 X 80 | | 4 | |
| 5 | 999 084 445 09 | lock nut M 12 X 1,5 | | 4 | |
| (6) | 996 331 061 01 | cross member | | 1 | |
| 7 | 999 076 053 09 | hexagon nut M 10 | | 2 | |
| 8 | 997 331 171 00 | transverse strut front | | 1 | I249 |
| (8) | 996 331 171 03 | transverse strut front | | 1 | I480 |
| 9 | 999 072 031 09 | hexagon-head bolt M 10 X 45 | | 2 | |
| (10) | 997 331 081 02 | strut | | 2 | |
| 11 | 996 331 385 00 | rubber mounting | | 6 | |
| 12 | 900 378 072 09 | hexagon-head bolt M 12 X 1,5 X 30 | | 2 | |
| 14 | 900 178 010 09 | hexagon-head bolt M 12 X 130 | | 2 | |
| 15 | 900 178 010 09 | hexagon-head bolt M 12 X 130 | | 2 | |
| 16 | 999 084 445 09 | lock nut M 12 X 1,5 | | 2 | |
| 17 | 997 331 291 00 | washer | | 6 | |
| 18 | 996 341 371 03 | support | | 1 | I601 |

| | | | | | | | | | | | |
|-------|------|----|----|--------------|--------------|--------|------|------------|---------|-----|---------|
| Model | Year | MG | SG | Illustration | Restrictions | Update | 9:48 | 30.08.2006 | PORSCHE | PET | PORSCHE |
| 997t | 07 | 5 | 01 | 501-01 | | 203 | | | | | |

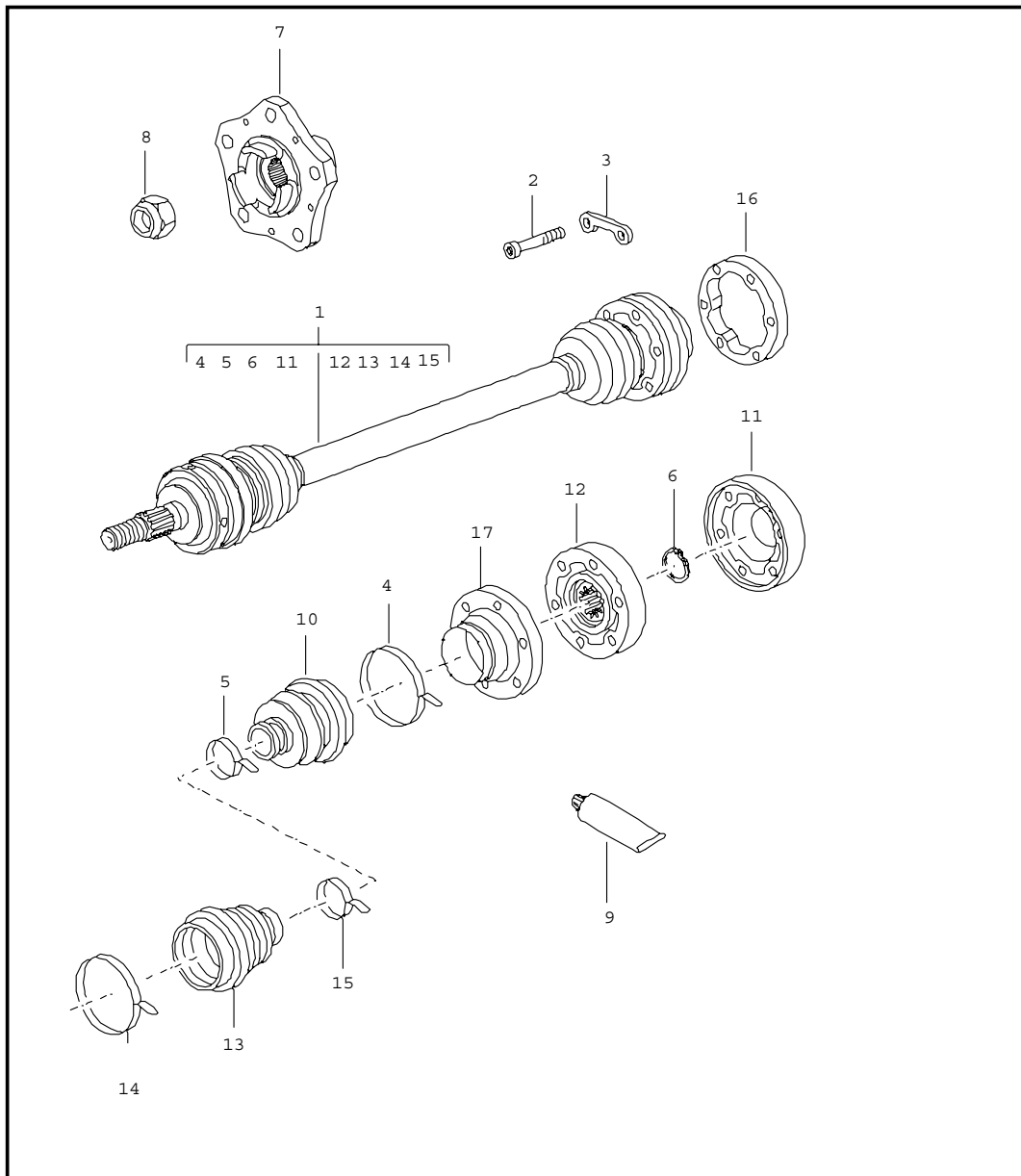
| Pos | Part Number | Name | Remarks | Qty | Model | Pos | Part Number | Name | Remarks | Qty | Model |
|-----|----------------|---------------------|---------|-----|-------|-----|-------------|------|---------|-----|-------|
| 19 | 900 380 015 09 | hexagon nut VM 6 | | 2 | I601 | | | | | | |
| 20 | 997 331 375 03 | strut | | 1 | I601 | | | | | | |
| 21 | 997 631 121 00 | sensor | | 1 | I601 | | | | | | |
| 22 | 900 146 003 02 | oval-head screw | | 2 | I601 | | | | | | |
| 23 | 999 061 103 09 | stud M 12 X 1,5 | | 2 | | | | | | | |
| | | - - - E N D - - - | | | | | | | | | |

| | | | | | | | | | | | |
|-------|------|----|----|--------------|--------------|--------|------|------------|---------|-----|---------|
| Model | Year | MG | SG | Illustration | Restrictions | Update | 9:48 | 30.08.2006 | PORSCHE | PET | PORSCHE |
| 997t | 07 | 5 | 01 | 501-03 | | 203 | | | | | |



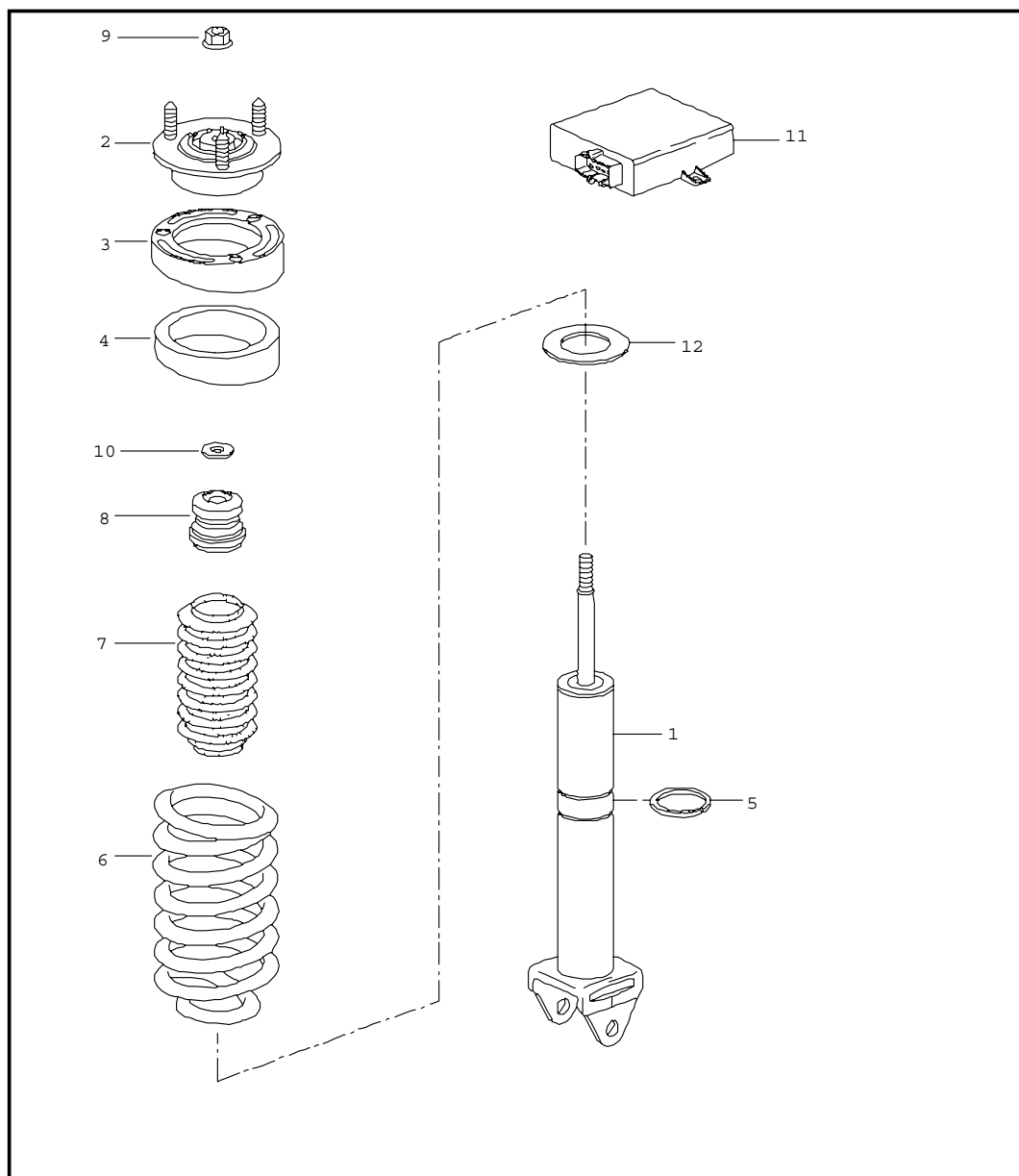
| Pos | Part Number | Name | Remarks | Qty | Model |
|-------------------|----------------|--------------------------------|---------|-----|-------|
| | | stabiliser | | | |
| 1 | 997 333 705 04 | stabiliser | | 1 | |
| (1) | 997 333 705 03 | stabiliser | | 1 | I220 |
| 2 | 996 333 792 27 | stabiliser mounting | | 2 | |
| (2) | 996 333 792 29 | stabiliser mounting | | 2 | I220 |
| 3 | 996 333 777 01 | clamp | | 2 | |
| 4 | 900 378 055 09 | hexagon-head bolt AM 8 X 40 | | 4 | |
| 5 | 997 333 069 05 | stabiliser mounting | /L | 1 | |
| (5) | 997 333 070 05 | stabiliser mounting | /R | 1 | |
| 6 | 999 084 643 09 | hexagon nut M 10 | | 2 | |
| - - - E N D - - - | | | | | |

| | | | | | | | | | | | |
|-------|------|----|----|--------------|--------------|--------|------|------------|---------|-----|---------|
| Model | Year | MG | SG | Illustration | Restrictions | Update | 9:48 | 30.08.2006 | PORSCHE | PET | PORSCHE |
| 997t | 07 | 5 | 01 | 501-05 | | 203 | | | | | |



| Pos | Part Number | Name | Remarks | Qty | Model |
|-------------------|----------------|---|---------|-----|-------|
| 1 | 997 332 024 40 | drive shaft | | 2 | I480 |
| (1) | 997 332 024 41 | drive shaft | | 2 | I249 |
| (1) | 999 073 092 09 | pan-head screw M 10 x 1 x 50 | | 12 | I480 |
| (2) | 999 510 041 09 | pan-head screw M 10 X 65 | | 12 | I249 |
| (3) | 996 332 191 00 | plate | | 6 | |
| 4 | 911 332 257 00 | clip \$ 73 MM | | 2 | |
| 5 | 928 332 257 01 | clip \$ 34 MM | | 2 | |
| 6 | 900 041 014 00 | circlip | | 2 | |
| 7 | 997 331 605 00 | wheel hub | | 2 | |
| 8 | 999 084 641 02 | lock nut M 22 X 1,5 | | 2 | |
| 9 | 000 043 110 01 | grease 1 tube 100 g | | X | |
| (9) | 000 043 205 36 | sealing compound drive shaft 1 tube 100 g | | X | |
| 10 | 928 332 293 02 | dust bellows | | 2 | |
| 11 | 928 332 267 01 | cover | | 2 | |
| 12 | 928 332 030 08 | joint | | 2 | |
| 13 | 928 332 293 02 | dust bellows | | 2 | |
| 14 | 911 332 257 00 | clip | | 2 | |
| 15 | 928 332 257 01 | clip | | 2 | |
| 16 | 996 332 229 01 | spacer ring | | 2 | I249 |
| 17 | 911 332 259 01 | flange | | 2 | |
| - - - E N D - - - | | | | | |

| | | | | | | | | | | | |
|-------|------|----|----|--------------|--------------|--------|------|------------|---------|-----|---------|
| Model | Year | MG | SG | Illustration | Restrictions | Update | 9:48 | 30.08.2006 | PORSCHE | PET | PORSCHE |
| 997t | 07 | 5 | 02 | 502-00 | | 203 | | | | | |

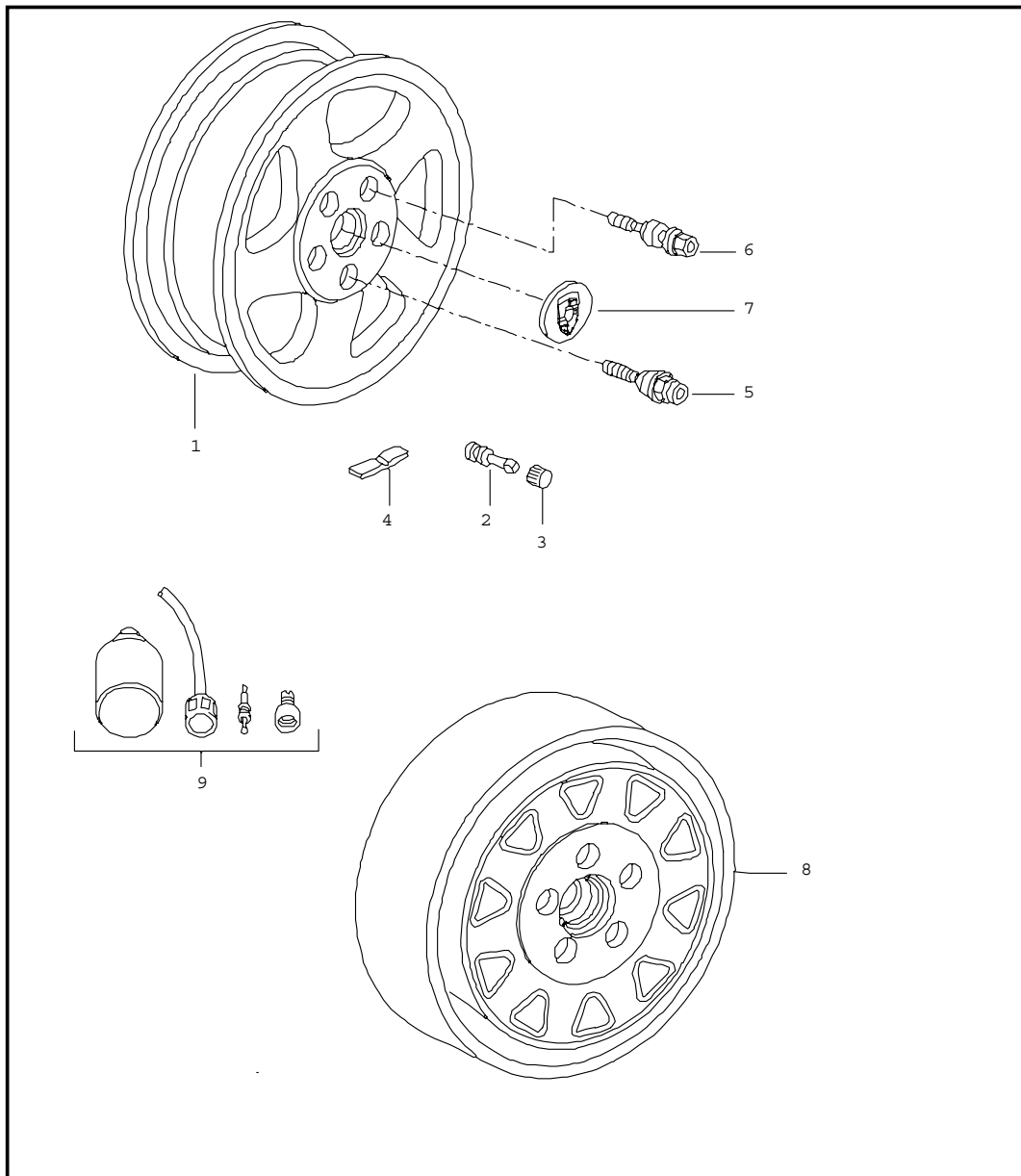


| Pos | Part Number | Name | Remarks | Qty | Model |
|-----|----------------|--------------------------------------|---------|-----|-------|
| 1 | 997 333 053 22 | shock absorber coil spring | | 2 | |
| - | 900 378 138 09 | mount shock absorber | | 2 | |
| - | 999 084 445 09 | hexagon-head bolt M 12 X 1,5 X 70 | | 2 | |
| - | 999 084 445 09 | lock nut M 12 X 1,5 | | 2 | |
| 2 | 997 333 061 01 | supporting mount | | 2 | |
| - | 900 380 008 09 | hexagon nut M 10 | | 12 | |
| 3 | 996 333 511 02 | compensating plate 0,5 MM | | X | |
| (3) | 996 333 511 03 | compensating plate 4,0 MM | | X | |
| 4 | 997 333 504 00 | base | | 2 | |
| 5 | 999 152 163 00 | snap ring SW 52 | | 2 | |
| 6 | 997 333 531 61 | coil spring 1 set | | 1 | |
| | 504 | marked white green | | | |
| 7 | 993 333 107 01 | bellows | | 2 | |
| (8) | 997 333 105 01 | additional spring | | 2 | |
| 9 | 999 084 050 02 | hexagon nut M 12 X 1 | | 2 | |
| 10 | 999 025 271 02 | washer | | 2 | |
| 11 | 997 618 125 03 | control unit shock absorber | | 1 | |
| - | 997 618 205 00 | support for control unit | | 1 | |
| - | 997 606 111 01 | acceleration sensor body | | 1 | |
| 12 | 997 333 513 00 | concave washer | | 2 | |

| | | | | | | | | | | | |
|-------|------|----|----|--------------|--------------|--------|------|------------|---------|-----|---------|
| Model | Year | MG | SG | Illustration | Restrictions | Update | | | | | |
| 997t | 07 | 5 | 02 | 502-00 | | 203 | 9:48 | 30.08.2006 | PORSCHE | PET | PORSCHE |

| Pos | Part Number | Name | Remarks | Qty | Model | Pos | Part Number | Name | Remarks | Qty | Model |
|-----|-------------|-------------------|---------|-----|-------|-----|-------------|------|---------|-----|-------|
| | | - - - E N D - - - | | | | | | | | | |

| | | | | | | | | | | | |
|-------|------|----|----|--------------|--------------|--------|------|------------|---------|-----|---------|
| Model | Year | MG | SG | Illustration | Restrictions | Update | 9:48 | 30.08.2006 | PORSCHE | PET | PORSCHE |
| 997t | 07 | 6 | 01 | 601-00 | | 203 | | | | | |

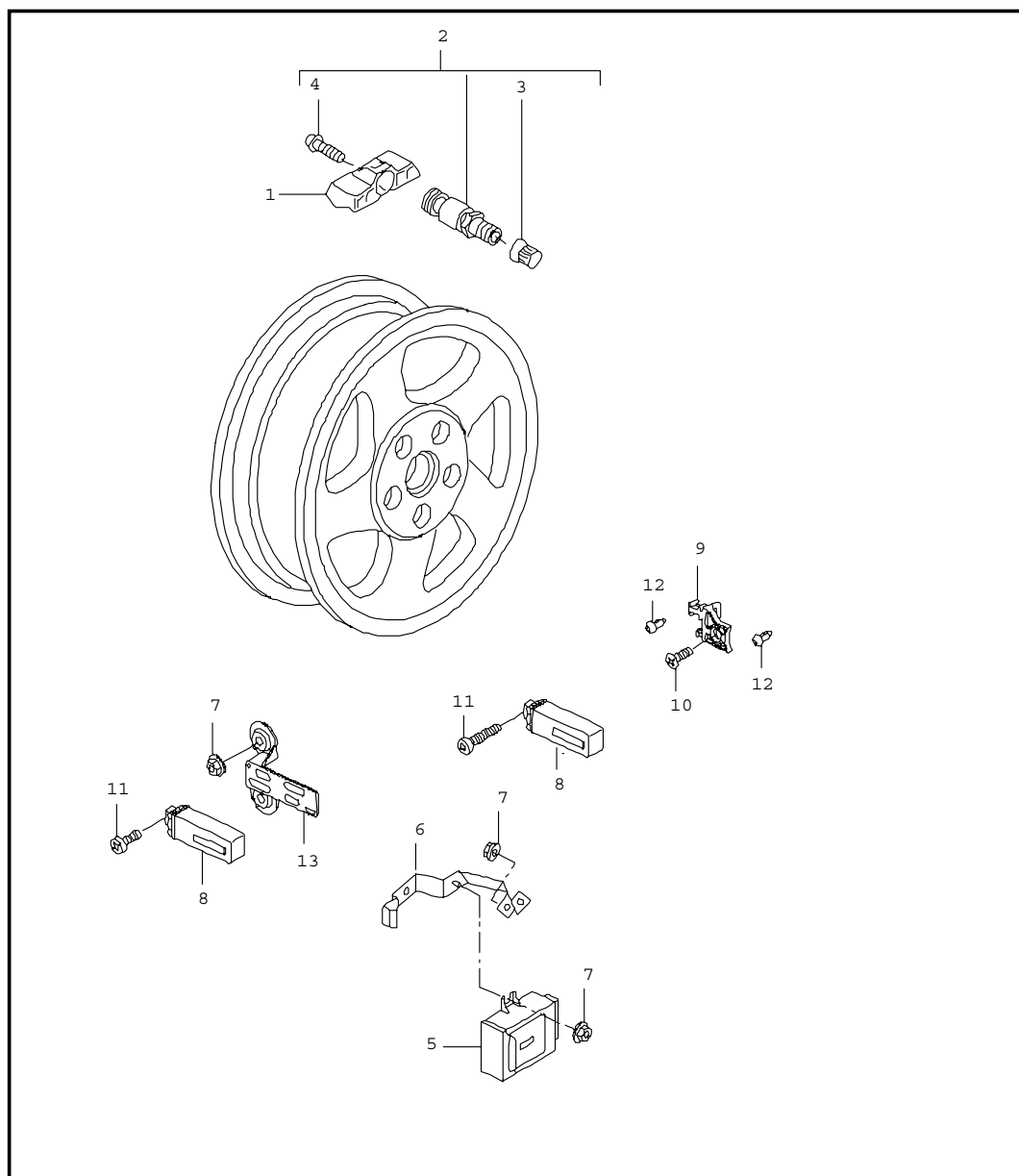


| Pos | Part Number | Name | Remarks | Qty | Model |
|-----|----------------|--|---------|-----|-----------|
| | | wheels | | | |
| 1 | 997 362 156 05 | disc wheel 8,5 J x 19 ET 56 | /V | 2 | |
| (1) | 997 362 156 55 | disc wheel 8,5 J x 19 ET 55 | /V | 2 | IXRN |
| (1) | 997 362 162 02 | disc wheel 11 J x 19 ET 51 | /H | 2 | |
| (1) | 997 362 162 55 | disc wheel 11.5 J x 19 ET 67 | /H | 2 | IXRN |
| 2 | 900 265 001 50 | rubber valve rubber | | 4 | |
| - | ... | valve tyre pressure monit. sys. see group 6/01/05 | | 4 | I482/I483 |
| 3 | 955 361 163 00 | cap for rubber valve | | 4 | |
| (4) | 997 361 405 00 | balance stick-on weight 5 G. | | X | |
| (4) | 997 361 410 00 | balance stick-on weight 10 G. | | X | |
| (4) | 997 361 415 00 | balance stick-on weight 15 G. | | X | |
| (4) | 997 361 420 00 | balance stick-on weight 20 G. | | X | |
| (4) | 997 361 425 00 | balance stick-on weight 25 G. | | X | |
| (4) | 997 361 430 00 | balance stick-on weight 30 G. | | X | |
| (4) | 997 361 435 00 | balance stick-on weight 35 G. | | X | |
| (4) | 997 361 440 00 | balance stick-on weight 40 G. | | X | |
| (4) | 997 361 445 00 | balance stick-on weight 45 G. | | X | |

| | | | | | | | | | | | |
|-------|------|----|----|--------------|--------------|--------|------|------------|---------|-----|---------|
| Model | Year | MG | SG | Illustration | Restrictions | Update | 9:48 | 30.08.2006 | PORSCHE | PET | PORSCHE |
| 997t | 07 | 6 | 01 | 601-00 | | 203 | | | | | |

| Pos | Part Number | Name | Remarks | Qty | Model | Pos | Part Number | Name | Remarks | Qty | Model |
|-----|----------------|---------------------------------------|---------|-----|--------------|-----|-------------|------|---------|-----|-------|
| (4) | 997 361 450 00 | balance stick-on weight 50 G. | | X | | | | | | | |
| (4) | 997 361 455 00 | balance stick-on weight 55 G. | | X | | | | | | | |
| (4) | 997 361 460 00 | balance stick-on weight 60 G. | | X | | | | | | | |
| 5 | 996 361 057 02 | set anti-theft protection 1 set | | 1 | | | | | | | |
| (5) | 997 361 057 00 | set anti-theft protection 1 set | | 1 | I444 (GB) | | | | | | |
| 6 | 996 361 203 02 | wheel bolt | | 16 | | | | | | | |
| (6) | 999 182 006 31 | wheel nut | | 20 | IXRN | | | | | | |
| 7 | 997 361 305 00 | hub cap | | 4 | | | | | | | |
| 8 | 996 362 020 04 | emergency wheel | | 1 | I447 | | | | | | |
| - | 996 361 521 00 | boot for emergency wheel | | 1 | I447 | | | | | | |
| - | 999 914 001 40 | plastic gloves | | X | I447 | | | | | | |
| 9 | 955 722 631 00 | compressed air bottle | | 1 | | | | | | | |
| (9) | 997 652 053 01 | compressor for emergency wheel | | 1 | | | | | | | |
| | | - - - E N D - - - | | | | | | | | | |

| | | | | | | | | | | | |
|-------|------|----|----|--------------|--------------|--------|------|------------|---------|-----|---------|
| Model | Year | MG | SG | Illustration | Restrictions | Update | | | PORSCHE | PET | PORSCHE |
| 997t | 07 | 6 | 01 | 601-05 | | 203 | 9:49 | 30.08.2006 | | | |

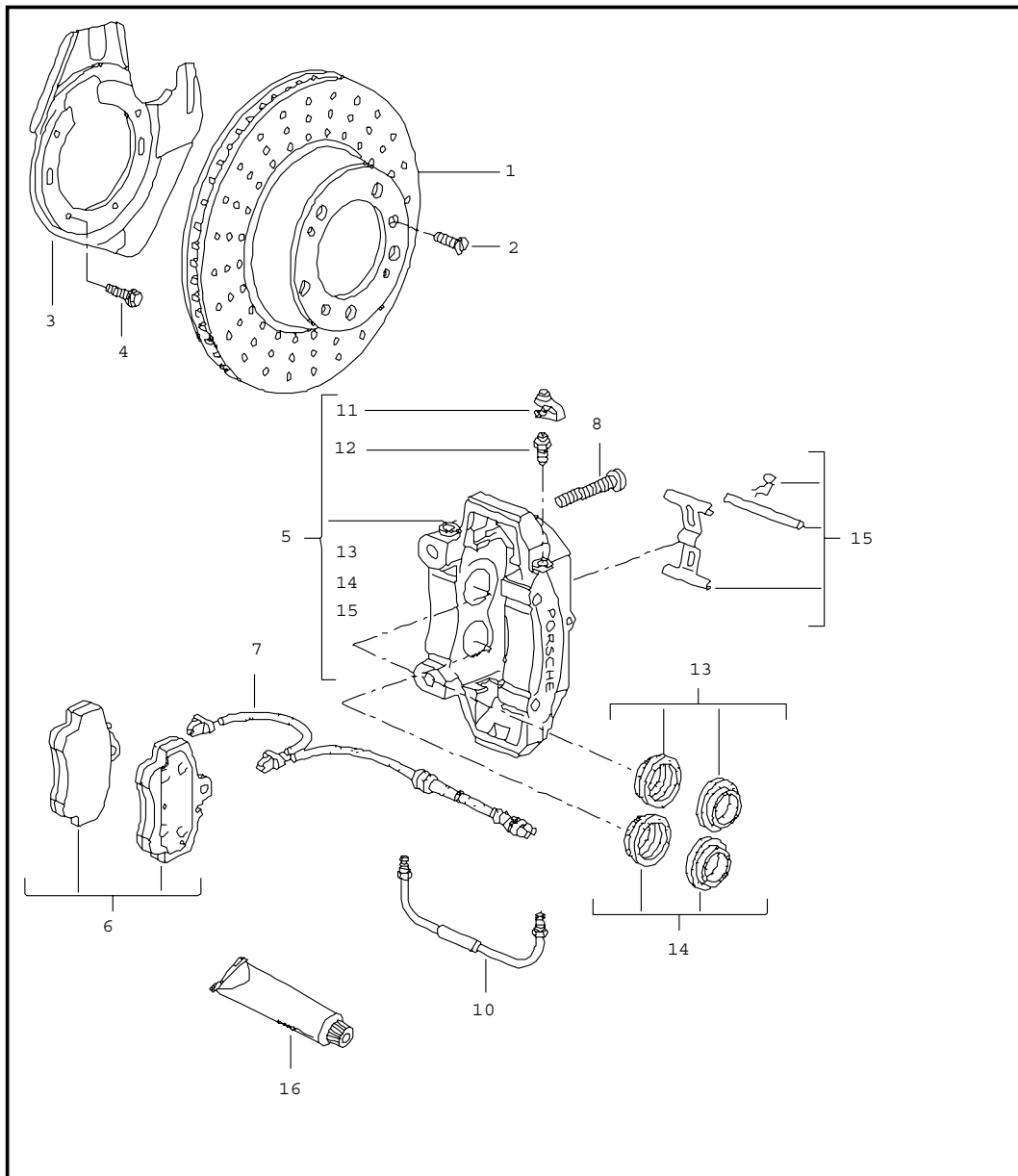


| Pos | Part Number | Name | Remarks | Qty | Model |
|-----|----------------|--|---------|-----|--------------------------|
| | | tyre pressure monit. sys. | | | I482/I483 |
| 1 | 997 606 021 00 | sensor tyre pressure gauge use also: 955.361.053.00 | | 4 | I482 |
| (1) | 997 606 023 00 | sensor tyre pressure gauge use also: 955.361.053.00 | | 4 | I483 |
| (1) | 997 606 025 00 | sensor tyre pressure gauge use also: 955.361.053.00 | | 4 | I483 I074/I193 |
| 2 | 955 361 053 00 | valve aluminium | | 4 | |
| 3 | N 908 729 01 | cap | | 4 | |
| 4 | 4D0 601 365 | fastening screw | | 4 | |
| 5 | 997 618 103 06 | control unit | | 1 | CARRERA 4 CARRERA 4-S |
| (6) | 997 618 203 01 | support control unit | | 1 | |
| 7 | 999 076 081 40 | plastic nut T5 16 X 11, 2 | | 7 | |
| 8 | 997 606 101 00 | antenna 433 MHZ use also: rear axle clip 997.606.225.00 | | 4 | I482 |
| (8) | 997 606 103 00 | antenna 315 MHZ use also: rear axle clip 997.606.225.00 | | 4 | I483 |
| 9 | 997 606 225 00 | clip for antenna rear axle | | 2 | |
| 10 | 999 919 121 09 | oval-head screw M 5 X 16 | | 2 | |
| 11 | 999 919 023 09 | oval-head screw M 5 X 35 | | 4 | |

| | | | | | | | | | | | |
|-------|------|----|----|--------------|--------------|--------|------|------------|---------|-----|---------|
| Model | Year | MG | SG | Illustration | Restrictions | Update | 9:49 | 30.08.2006 | PORSCHE | PET | PORSCHE |
| 997t | 07 | 6 | 01 | 601-05 | | 203 | | | | | |

| Pos | Part Number | Name | Remarks | Qty | Model | Pos | Part Number | Name | Remarks | Qty | Model |
|-----|----------------|--|---------|-----|-------|-----|-------------|------|---------|-----|-------|
| 12 | N 105 168 01 | expander nut ST 4,8 | | 4 | | | | | | | |
| 13 | 997 606 141 00 | support antenna front | | 2 | | | | | | | |
| - | 997 652 053 01 | compressor guide emergency wheel | | 1 | | | | | | | |
| | | - - - E N D - - - | | | | | | | | | |

| | | | | | | | | | | | |
|-------|------|----|----|--------------|--------------|--------|------|------------|---------|-----|---------|
| Model | Year | MG | SG | Illustration | Restrictions | Update | 9:49 | 30.08.2006 | PORSCHE | PET | PORSCHE |
| 997t | 07 | 6 | 02 | 602-00 | | 203 | | | | | |

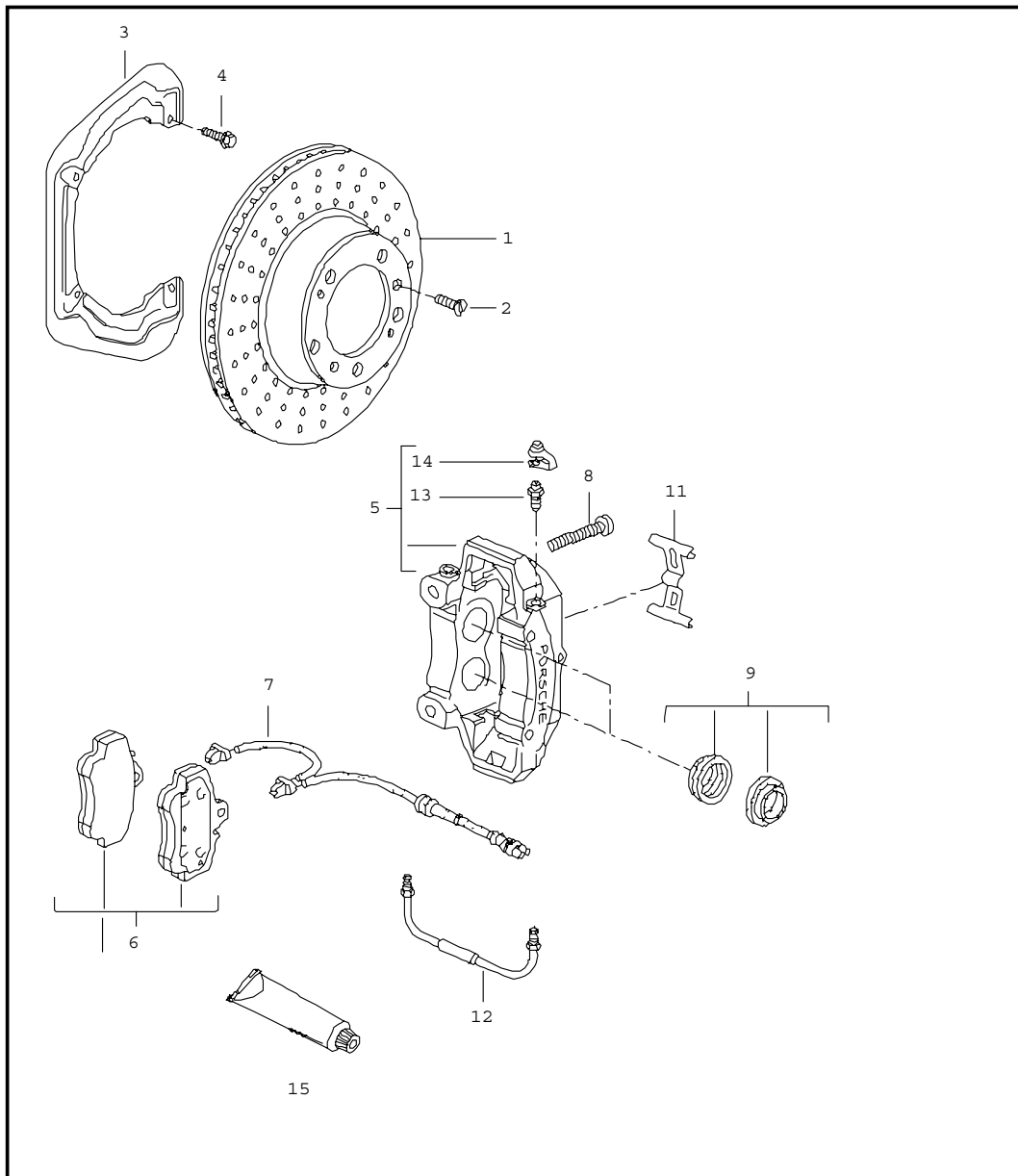


| Pos | Part Number | Name | Remarks | Qty | Model |
|-----|----------------|--|---------|-----|-------|
| | | disc brake front axle | | | |
| | | brake disc only in pairs replace | | | |
| 1 | 997 351 405 00 | brake disc | /L | 1 | |
| (1) | 997 351 031 31 | brake disc | /L | 1 | I450 |
| (1) | 997 351 406 00 | brake disc | /R | 1 | |
| (1) | 997 351 032 31 | brake disc | /R | 1 | I450 |
| 2 | 900 269 047 09 | countersunk-head screw M 6 X 12 | | 4 | |
| 3 | 997 351 805 05 | cover plate | /L | 1 | |
| (3) | 997 351 806 05 | cover plate | /R | 1 | |
| 4 | 999 217 116 09 | hexagon-head bolt M 6 X 16 | | X | |
| 5 | 996 351 431 90 | fixed calliper without pad use also: mounting parts fastening screw 999.067.047.09 | /L | 1 | |
| (5) | 997 351 427 30 | fixed calliper without pad use also: fastening screw 999.067.054.09 | /L | 1 | I450 |
| (5) | 996 351 432 90 | fixed calliper without pad mounting parts fastening screw 999.067.047.09 | /R | 1 | |
| (5) | 997 351 428 30 | fixed calliper without pad use also: fastening screw 999.067.054.09 | /R | 1 | I450 |
| - | 997 351 505 02 | adapter | | 2 | I450 |
| - | 999 073 313 09 | round head screw m 12 x 1,5 | | 4 | I450 |

| | | | | | | | | | | | |
|-------|------|----|----|--------------|--------------|--------|------|------------|---------|-----|---------|
| Model | Year | MG | SG | Illustration | Restrictions | Update | 9:49 | 30.08.2006 | PORSCHE | PET | PORSCHE |
| 997t | 07 | 6 | 02 | 602-00 | | 203 | | | | | |

| Pos | Part Number | Name | Remarks | Qty | Model | Pos | Part Number | Name | Remarks | Qty | Model |
|-------|----------------|--|---------|-----|-------|------|----------------|---|---------|-----|-------|
| 6 | 997 351 947 00 | set of brake pads use also: mounting parts | | 1 | | (15) | 996 351 959 30 | repair kit mounting parts bolt expanding spring securing clip | | 1 | |
| (6) N | 997 351 948 01 | set of brake pads use also: mounting parts | | 1 | I450 | | | | | | |
| - | 996 352 086 01 | damping plate 28 mm | | 12 | I450 | 16 | 000 043 117 00 | brake cylinder paste 50 G | | X | |
| 7 | 997 612 677 00 | warning contact | | 2 | | 16 | 000 043 020 00 | optimoly 100 G | | X | |
| - | 999 507 464 40 | support | | 2 | | | | - - - E N D - - - | | | |
| - | 944 612 627 00 | holder for warning contact | | 3 | | | | | | | |
| (8) | 999 067 047 09 | pan-head screw m 12 x 1,5 x 85 | | 4 | | | | | | | |
| (8) | 999 067 054 09 | pan-head screw M 12 X 1,5 X 62 | | 4 | I450 | | | | | | |
| (10) | 996 351 961 30 | connecting line | | 2 | | | | | | | |
| (10) | 980 351 961 00 | connecting line | | 2 | I450 | | | | | | |
| 11 | 930 351 927 00 | dust boot | | 2 | | | | | | | |
| 12 | 930 351 919 00 | ventilation valve | | 2 | | | | | | | |
| 13 | 951 352 917 00 | repair kit protection caps 28 mm | | X | | | | | | | |
| 14 | 996 351 915 00 | repair kit protection caps 32 mm | | X | | | | | | | |
| (13) | 996 351 915 01 | repair kit protection caps 38 mm | | X | | | | | | | |
| (13) | 951 352 917 00 | repair kit protection caps 28 mm | | X | I450 | | | | | | |
| (13) | 996 351 915 00 | repair kit protection caps 32 mm | | X | I450 | | | | | | |
| (13) | 951 351 917 00 | repair kit protection caps 36 mm | | X | I450 | | | | | | |

| | | | | | | | | | | | |
|-------|------|----|----|--------------|--------------|--------|------|------------|---------|-----|---------|
| Model | Year | MG | SG | Illustration | Restrictions | Update | 9:49 | 30.08.2006 | PORSCHE | PET | PORSCHE |
| 997t | 07 | 6 | 03 | 603-00 | | 203 | | | | | |

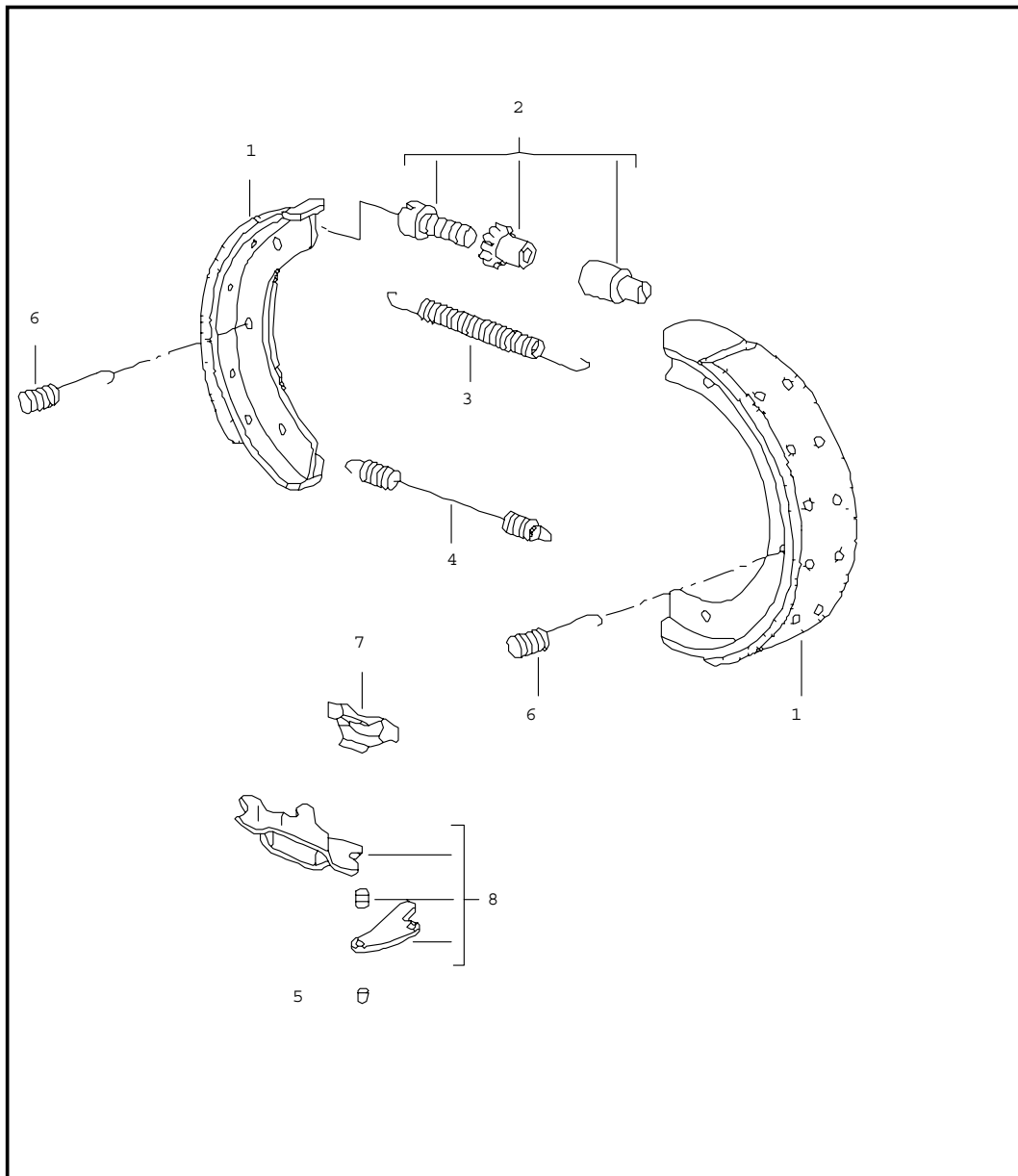


| Pos | Part Number | Name | Remarks | Qty | Model |
|-------|----------------|--|---------|-----|-------|
| | | disc brake rear axle | | | |
| (1) | 997 352 405 01 | brake disc | /L | 2 | |
| (1) | 996 352 031 04 | brake disc | /L | 1 | I450 |
| (1) | 997 352 406 01 | brake disc | /R | 1 | |
| (1) | 996 352 032 04 | brake disc | /R | 1 | I450 |
| (2) | 900 269 047 09 | countersunk-head screw M 6 X 12 | | 4 | |
| 3 | 996 352 801 03 | cover plate | | 2 | |
| (3) | 997 352 801 02 | cover plate | /L | 1 | I450 |
| (3) | 997 352 802 02 | cover plate | /R | 1 | I450 |
| 4 | 999 217 116 09 | hexagon-head bolt M 6 X 16 | | X | |
| 5 N | 997 352 425 11 | fixed calliper without pad use also: mounting parts fastening screw 999.067.040.01 | /L | 1 | |
| (5) N | 997 352 425 31 | fixed calliper without pad use also: mounting parts fastening screw 999.067.040.01 | /L | 1 | I450 |
| (5) N | 997 352 426 11 | fixed calliper without pad use also: mounting parts fastening screw 999.067.040.01 | /R | 1 | |
| (5) N | 997 352 426 31 | fixed calliper without pad use also: mounting parts fastening screw 999.067.040.01 | /R | 1 | I450 |
| (6) N | 997 352 949 01 | set of brake pads use also: mounting parts fastening screw 999.067.040.01 | | 1 | |
| | | | | 4 | |

| | | | | | | | | | | | |
|-------|------|----|----|--------------|--------------|--------|------|------------|---------|-----|---------|
| Model | Year | MG | SG | Illustration | Restrictions | Update | 9:49 | 30.08.2006 | PORSCHE | PET | PORSCHE |
| 997t | 07 | 6 | 03 | 603-00 | | 203 | | | | | |

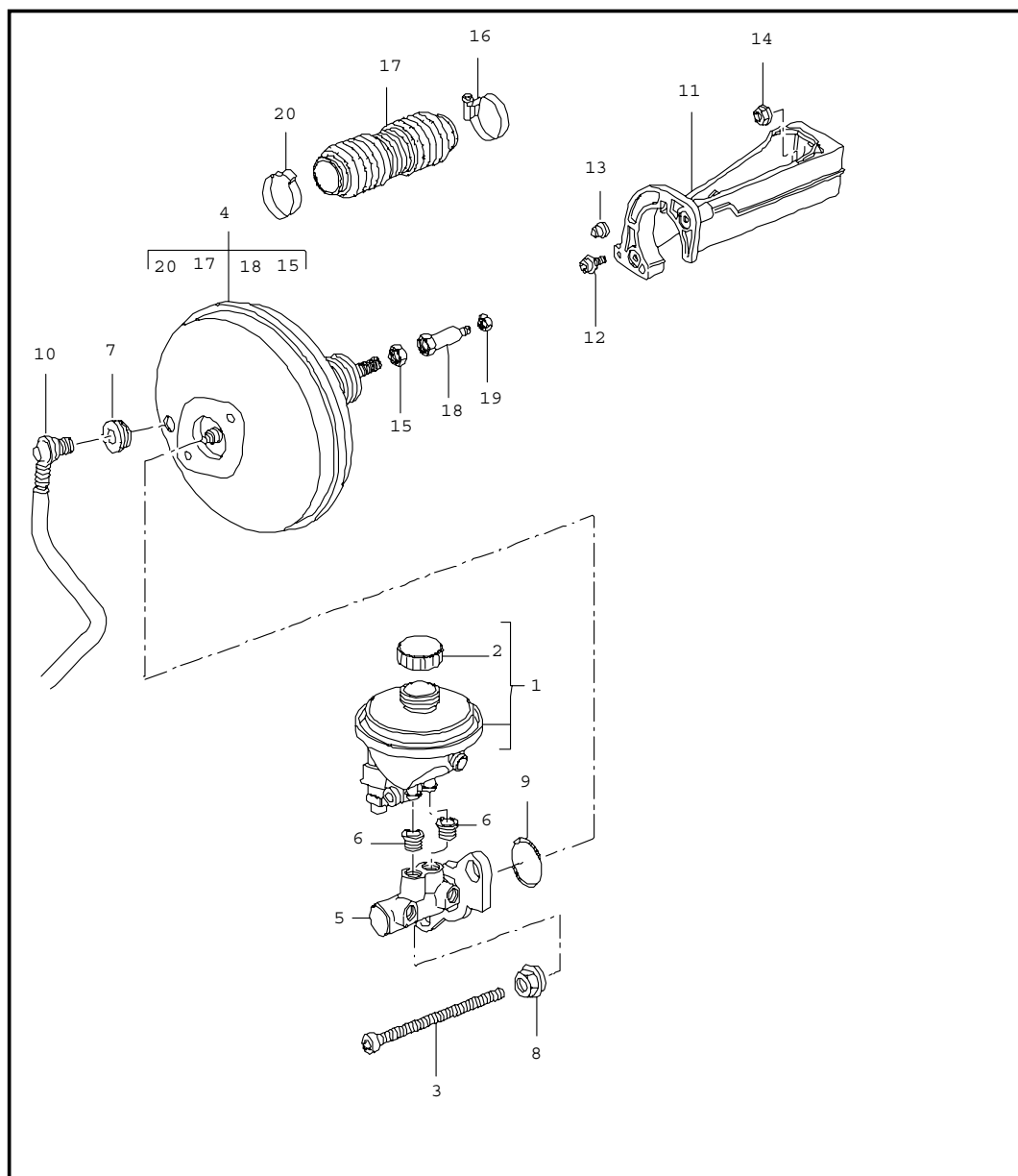
| Pos | Part Number | Name | Remarks | Qty | Model | Pos | Part Number | Name | Remarks | Qty | Model |
|------|------------------|---|---------|--------|-------|-----|-------------|------|---------|-----|-------|
| (6) | N 997 352 947 01 | set of brake pads use also: mounting parts fastening screw 999.067.040.01 | | 1 | I450 | | | | | | |
| - | N 997 352 086 01 | damping plate 34 mm | | 4 | | | | | | | |
| - | 996 352 086 01 | damping plate 28 mm | | 4 | I450 | | | | | | |
| 7 | 997 612 754 00 | warning contact | | 2 | | | | | | | |
| 8 | 999 067 040 01 | pan-head screw M 12 X 1,5 X 95 | | 4 | | | | | | | |
| 9 | 965 352 917 00 | repair kit protection caps 34 MM | | X 2 | | | | | | | |
| 11 | 997 352 959 10 | spring | | 2 | | | | | | | |
| 12 | 997 352 961 00 | connecting line | /L | 2 | | | | | | | |
| (12) | 997 352 962 00 | connecting line | /R | 2 | | | | | | | |
| 13 | 930 351 919 01 | ventilation valve | | 4 | | | | | | | |
| 14 | 930 351 927 00 | dust boot | | 4 | | | | | | | |
| 15 | 000 043 117 00 | brake cylinder paste 50 G | | X | | | | | | | |
| (15) | 000 043 020 00 | optimoly 100 G | | X | | | | | | | |
| | | - - - E N D - - - | | | | | | | | | |

| | | | | | | | | | | | |
|-------|------|----|----|--------------|--------------|--------|------|------------|---------|-----|---------|
| Model | Year | MG | SG | Illustration | Restrictions | Update | 9:49 | 30.08.2006 | PORSCHE | PET | PORSCHE |
| 997t | 07 | 6 | 03 | 603-05 | | 203 | | | | | |



| Pos | Part Number | Name | Remarks | Qty | Model |
|-----|----------------|------------------------------|---------|-----|-------|
| | | handbrake | | | |
| 1 | 997 352 993 01 | repair kit 1 set | | 1 | |
| 2 | 993 352 071 00 | adjusting screw | | 2 | |
| 3 | 997 352 721 01 | tension spring short | | 2 | |
| 4 | 997 352 723 02 | tension spring long | | 2 | |
| 5 | 993 352 737 00 | bolt | | 2 | |
| (6) | 997 352 741 01 | compression spring | | 4 | |
| 7 | 997 352 807 00 | bracket | | 2 | |
| 8 | 928 352 090 01 | push-button lock complete | | 2 | |
| | | - - - E N D - - - | | | |

| | | | | | | | | | | | |
|-------|------|----|----|--------------|--------------|--------|------|------------|---------|-----|---------|
| Model | Year | MG | SG | Illustration | Restrictions | Update | 9:50 | 30.08.2006 | PORSCHE | PET | PORSCHE |
| 997t | 07 | 6 | 04 | 604-00 | | 203 | | | | | |

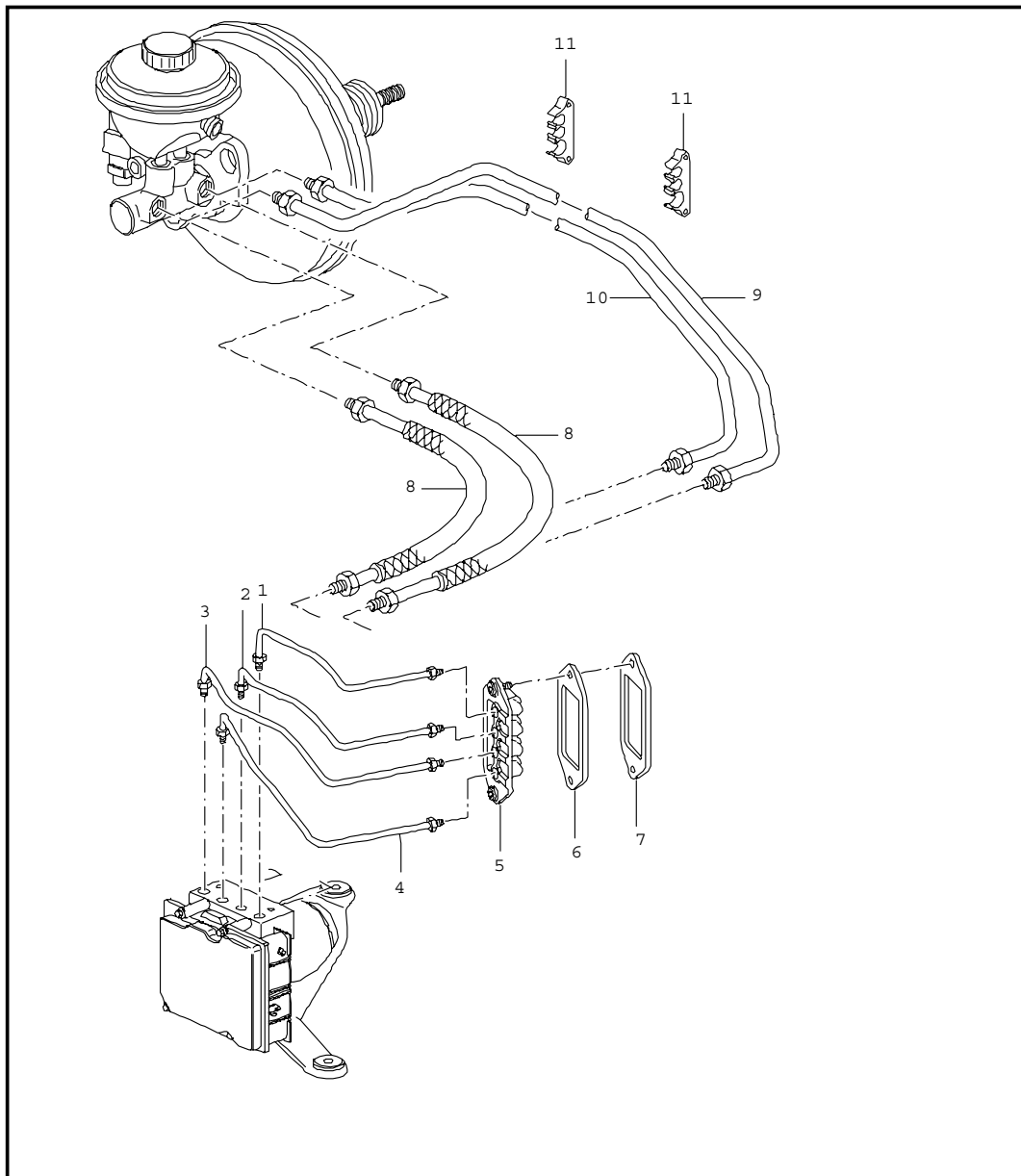


| Pos | Part Number | Name | Remarks | Qty | Model |
|------|----------------|---|---------|-----|-------|
| | | brake master cylinder brake booster | | | |
| 1 | 997 355 013 21 | expansion tank | | 1 | |
| 2 | 996 355 119 01 | catch | | 1 | |
| - | 997 355 125 00 | support for contact for container | | 1 | |
| 3 | 999 073 327 09 | pan-head screw M 8 X 197 X 29 | | 2 | |
| (4) | 997 355 923 20 | brake booster | | 1 | |
| 5 | 997 355 910 30 | brake master cylinder | | 1 | |
| 6 | 993 355 922 00 | grommet | | 2 | |
| 7 | 999 702 182 40 | rubber bush | | 1 | |
| 8 | 997 355 925 00 | hexagon nut | | 2 | |
| 9 | 993 355 212 00 | gasket | | 1 | |
| 10 | 997 355 577 25 | vacuum line | /LL | 1 | I098 |
| (10) | 997 355 578 25 | vacuum line | /RL | 1 | I099 |
| 11 | 997 423 251 00 | intermediate piece | | 1 | |
| 12 | 900 067 240 02 | screw M 6 X 12 Z1 | | 2 | |
| 13 | 999 703 448 50 | plug | /R | 1 | |
| 14 | 900 380 005 09 | hexagon nut M 8 | | 2 | |
| 15 | 900 183 015 02 | hexagon nut M 12 X 1,5 | | 1 | |
| - | 996 355 901 01 | gasket brake booster bulkhead | | 1 | |
| 16 | 999 512 478 00 | hose clamp | | 1 | |
| 17 | 996 423 269 05 | bellows | | 1 | |
| (17) | 997 355 969 00 | bellows | | 1 | |
| 18 | 996 355 927 01 | connecting piece | | 1 | |
| 19 | 900 380 015 09 | hexagon nut M 6 | | 1 | |

| | | | | | | | | | | | |
|-------|------|----|----|--------------|--------------|--------|------|------------|---------|-----|---------|
| Model | Year | MG | SG | Illustration | Restrictions | Update | 9:50 | 30.08.2006 | PORSCHE | PET | PORSCHE |
| 997t | 07 | 6 | 04 | 604-00 | | 203 | | | | | |

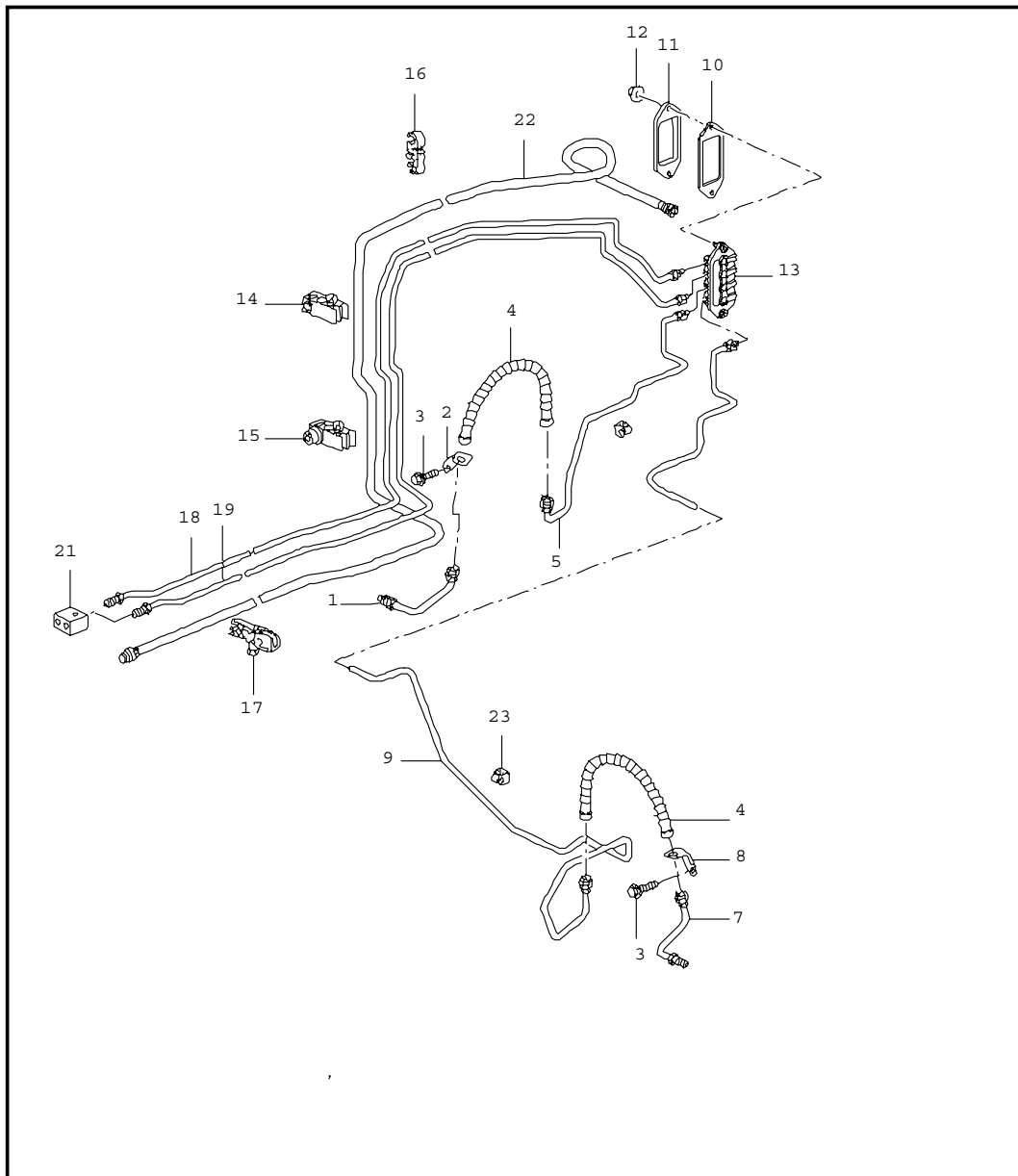
| Pos | Part Number | Name | Remarks | Qty | Model | Pos | Part Number | Name | Remarks | Qty | Model |
|-----|----------------|-------------------|---------|-----|-------|-----|-------------|------|---------|-----|-------|
| 20 | 999 512 672 00 | clamp | | 1 | | | | | | | |
| | | - - - E N D - - - | | | | | | | | | |

| | | | | | | | | | | | |
|-------|------|----|----|--------------|--------------|--------|------|------------|---------|-----|---------|
| Model | Year | MG | SG | Illustration | Restrictions | Update | 9:50 | 30.08.2006 | PORSCHE | PET | PORSCHE |
| 997t | 07 | 6 | 04 | 604-05 | | 203 | | | | | |



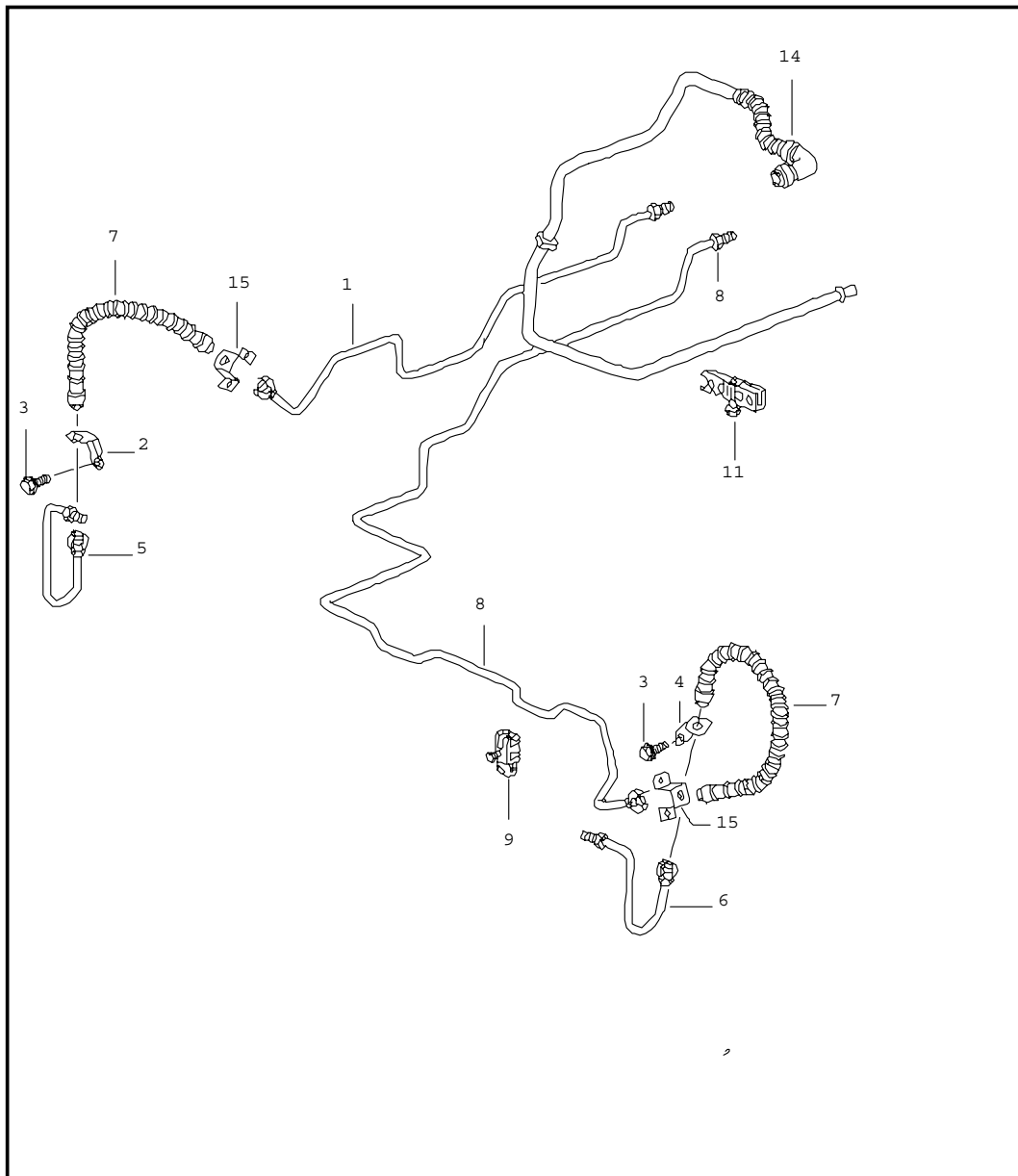
| Pos | Part Number | Name | Remarks | Qty | Model |
|-----|----------------|-----------------------------------|---------|-----|-------|
| | | brake lines body front section | | | |
| (1) | 997 355 315 26 | brake line | /LL | 1 | I098 |
| 1 | 997 355 315 00 | brake line | /RL | 1 | I099 |
| (2) | 997 355 316 26 | brake line | /LL | 1 | I098 |
| 2 | 997 355 316 00 | brake line | /RL | 1 | I099 |
| (3) | 997 355 327 27 | brake line | /LL | 1 | I098 |
| 3 | 997 355 327 00 | brake line | /RL | 1 | I099 |
| (4) | 997 355 326 27 | brake line | /LL | 1 | I098 |
| 4 | 997 355 326 00 | brake line | /RL | 1 | I099 |
| 5 | 997 355 650 00 | intermediate piece | | 1 | |
| 6 | 997 355 752 00 | gasket | | 1 | |
| 7 | 997 355 753 00 | reinforcement | | 1 | |
| 8 | 997 355 311 00 | pressure line | /LL | 2 | I098 |
| 9 | 997 355 312 25 | pressure line | /RL | 1 | I099 |
| 10 | 997 355 314 25 | pressure line | /RL | 1 | I099 |
| 11 | 999 507 632 40 | cable holder | /RL | 2 | I099 |
| | | - - - E N D - - - | | | |

| | | | | | | | | | | | |
|-------|------|----|----|--------------|--------------|--------|------|------------|---------|-----|---------|
| Model | Year | MG | SG | Illustration | Restrictions | Update | 9:50 | 30.08.2006 | PORSCHE | PET | PORSCHE |
| 997t | 07 | 6 | 04 | 604-10 | | 203 | | | | | |



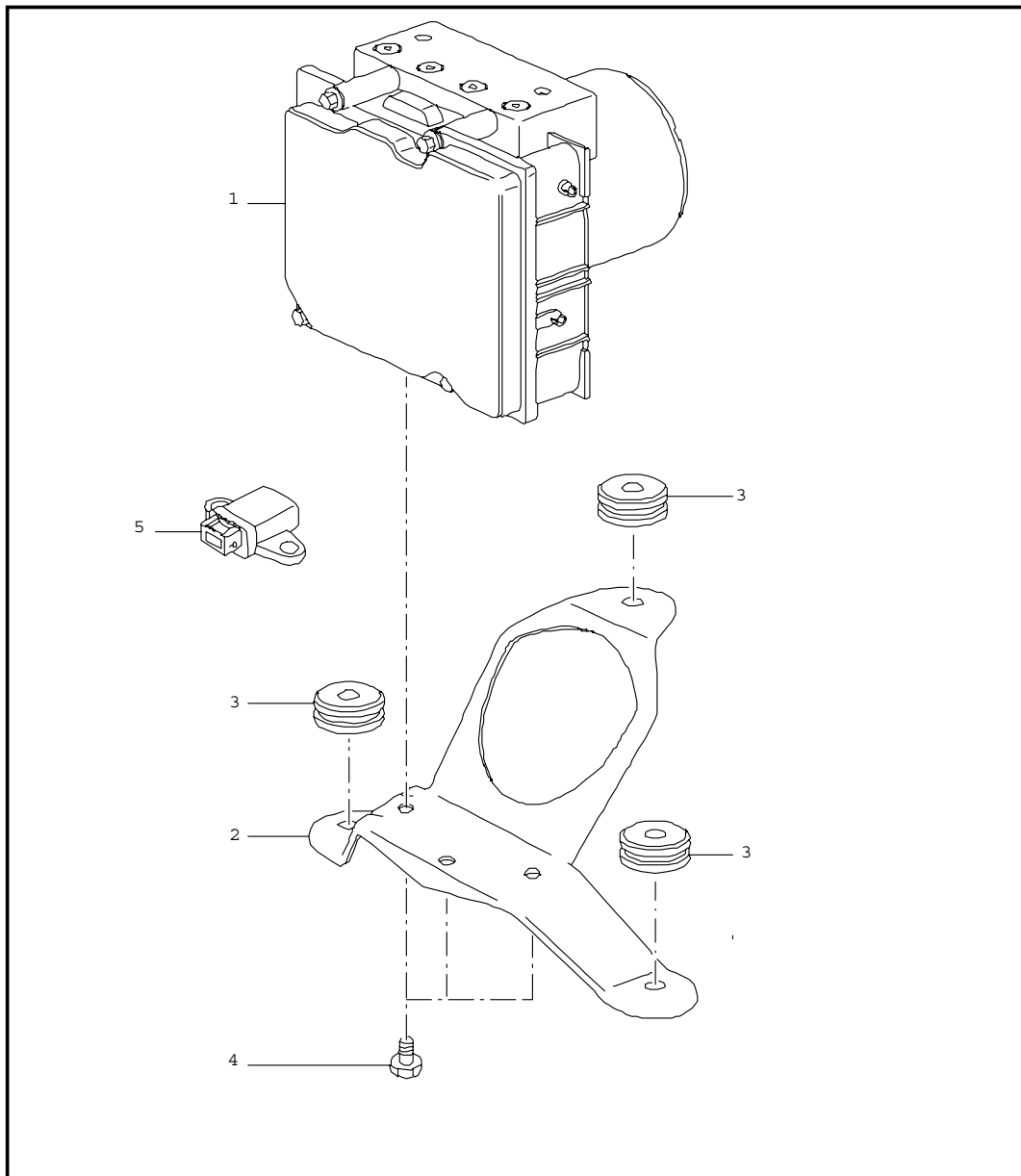
| Pos | Part Number | Name | Remarks | Qty | Model |
|-------------------|----------------|----------------------------|---------|-----|-------|
| | | brake lines | | | |
| | | brake lines | | | |
| | | underbody | | | |
| | | vacuum line | | | |
| 1 | 997 355 587 01 | brake line | /L | 1 | |
| (1) | 997 355 587 10 | brake line | /L | 1 | I450 |
| 2 | 996 355 507 05 | brake hose bracket | /L | 1 | |
| 3 | 900 067 117 09 | pan-head screw M 6 X 16 | | 2 | |
| 4 | 996 355 139 01 | brake hose | | 2 | |
| 5 | 997 355 175 26 | brake line | /L | 1 | |
| 7 | 997 355 588 01 | brake line | /R | 1 | |
| (7) | 997 355 588 10 | brake line | /R | 1 | I450 |
| (8) | 996 355 508 05 | brake hose bracket | /R | 1 | |
| (9) | 997 355 176 27 | brake line | | 1 | |
| 10 | 997 355 753 00 | reinforcement | | 1 | |
| 11 | 997 355 752 00 | gasket | | 1 | |
| 12 | 900 380 015 09 | hexagon nut M 6 | | 3 | |
| 13 | 997 355 650 00 | intermediate piece | | 1 | |
| 14 | 996 355 545 00 | support | | 3 | |
| 15 | 996 355 549 00 | support | | 1 | |
| 16 | 996 355 547 01 | support | | 2 | |
| 17 | 996 355 543 00 | support | | 1 | |
| 18 | 997 355 177 01 | brake line | | 1 | |
| 19 | 997 355 179 01 | brake line | | 1 | |
| 21 | 996 355 760 31 | connecting piece | | 1 | |
| 22 | 997 355 571 01 | vacuum line | | 1 | |
| - | 999 702 289 40 | grommet wheel housing | | 1 | |
| 23 | 999 651 331 40 | cable holder | | 5 | |
| - - - E N D - - - | | | | | |

| | | | | | | | | | | | |
|-------|------|----|----|--------------|--------------|--------|------|------------|---------|-----|---------|
| Model | Year | MG | SG | Illustration | Restrictions | Update | 9:50 | 30.08.2006 | PORSCHE | PET | PORSCHE |
| 997t | 07 | 6 | 04 | 604-15 | | 203 | | | | | |



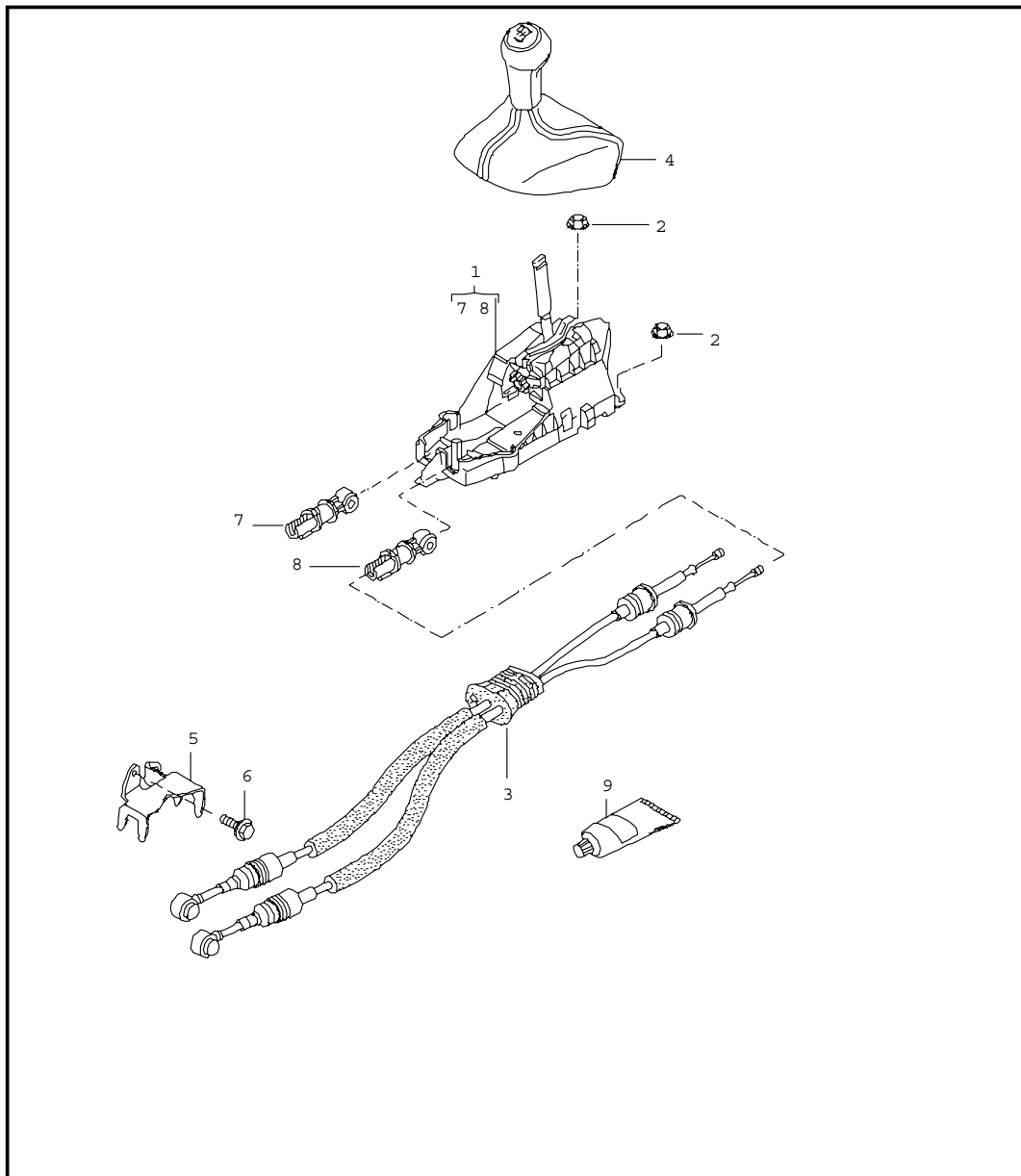
| Pos | Part Number | Name | Remarks | Qty | Model |
|-----|----------------|---|---------|-----|-------|
| | | brake line underbody rear axle vacuum line | | | |
| 1 | 997 355 189 00 | brake line | /L | 1 | |
| 2 | 997 355 503 10 | support | /L | 1 | |
| 3 | 900 067 117 09 | pan-head screw M 6 X 16 | | 2 | |
| 4 | 997 355 504 10 | support | /R | 1 | |
| 5 | 996 355 585 10 | brake line | /L | 1 | |
| 6 | 996 355 586 10 | brake line | /R | 1 | |
| 7 | 996 355 139 00 | brake hose | | 2 | |
| 8 | 997 355 190 02 | brake line | | 1 | |
| 9 | 996 347 543 00 | cable holder | | 3 | |
| 11 | 996 355 543 00 | support | | 1 | |
| 14 | 997 355 575 51 | vacuum line | | 1 | |
| - | 999 507 495 40 | support | | 1 | |
| 15 | 996 501 815 02 | support | | 2 | |
| | GRV | prime coated | | | |
| | | - - - E N D - - - | | | |

| | | | | | | | | | | | |
|-------|------|----|----|--------------|--------------|--------|------|------------|---------|-----|---------|
| Model | Year | MG | SG | Illustration | Restrictions | Update | 9:50 | 30.08.2006 | PORSCHE | PET | PORSCHE |
| 997t | 07 | 6 | 05 | 605-00 | | 203 | | | | | |



| Pos | Part Number | Name | Remarks | Qty | Model |
|-------------------|----------------|---|---------|-----|-------|
| | | hydraulic unit anti-lock brake system control | | | |
| 1 | 997 355 955 55 | hydraulic unit | | 1 | |
| 2 | 997 355 033 25 | support with rubber mounting | /LL | 1 | I098 |
| (2) | 997 355 033 00 | support with rubber mounting | /RL | 1 | I099 |
| 3 | 964 356 635 00 | rubber mounting | | 3 | |
| 4 | 900 385 060 09 | screw BM 6 X 10 | | 3 | |
| 5 | 997 606 145 02 | sensor | | 1 | |
| - - - E N D - - - | | | | | |

| | | | | | | | | | | | |
|-------|------|----|----|--------------|--------------|--------|------|------------|---------|-----|---------|
| Model | Year | MG | SG | Illustration | Restrictions | Update | 9:51 | 30.08.2006 | PORSCHE | PET | PORSCHE |
| 997t | 07 | 7 | 01 | 701-00 | | 203 | | | | | |

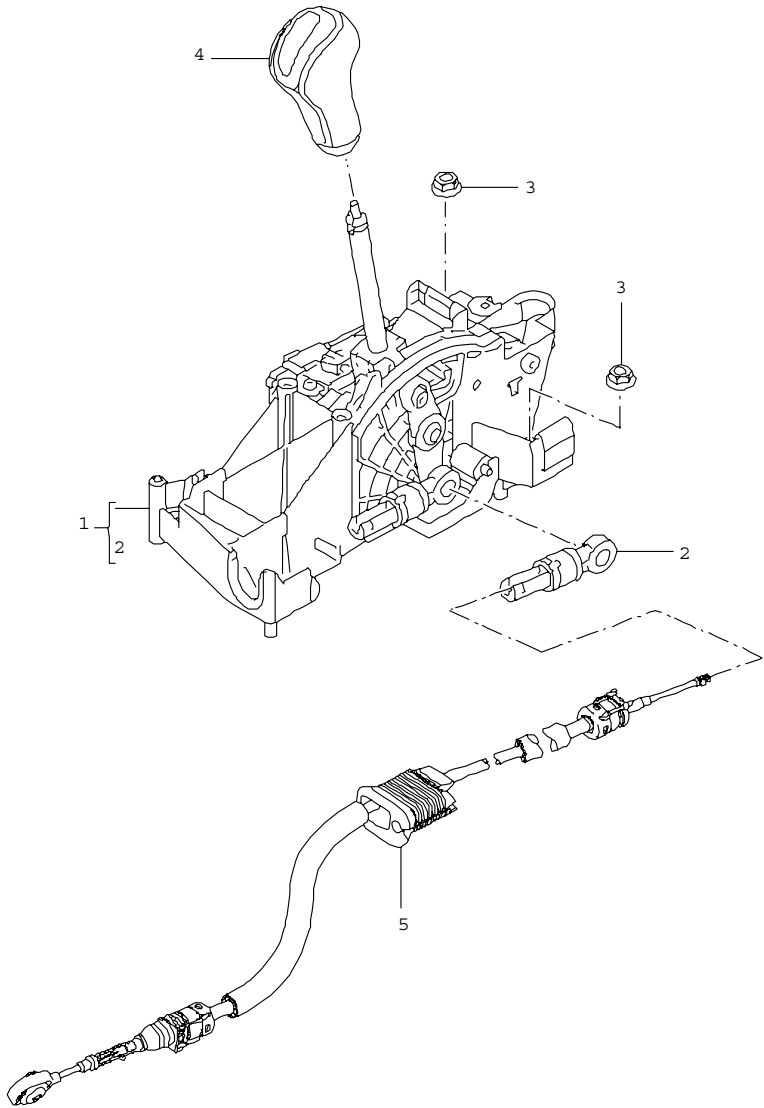


| Pos | Part Number | Name | Remarks | Qty | Model |
|-----|----------------|---|-----------------------|-----|-------|
| | | transmission control manual transmission | | | I480 |
| 1 | 997 424 010 00 | gearshift bracket | | 1 | |
| (1) | 997 424 983 00 | gearshift bracket | | 1 | IXCZ |
| 2 | 999 084 629 09 | hexagon nut M 6 | | 4 | |
| 3 | 997 424 041 50 | cable transmission control | | 1 | |
| 4 | 997 424 075 50 | gearshift knob leather | | 1 | |
| | | FOT | black/black | | |
| | | FOU | stone grey/stone grey | | |
| | | FOV | sand beige/sand beige | | |
| | | FOW | seeblue/seeblue | | |
| | | FOX | palm-green/palm-green | | |
| | | FPW | terrakotta/terrakotta | | |
| | | FPX | cocoa/cocoa | | |
| | | FOY | dark grey/dark grey | | |
| | | FOZ | brown nat./brown nat. | | |
| (4) | 997 424 075 54 | gearshift knob makassar | | 1 | I801 |
| | | FPA | black | | |
| | | FPB | stone grey | | |
| | | FPC | sand beige | | |
| | | FPD | sea blue | | |
| | | FPE | palmgreen | | |
| | | FPY | terracotta | | |
| | | FPZ | cocoa | | |
| | | FPF | dark grey/natural | | |
| | | FPG | brown/natural | | |
| (4) | 997 424 075 54 | gearshift knob sycamore wood | | 1 | I802 |

| | | | | | | | | | | | |
|-------|------|----|----|--------------|--------------|--------|------|------------|---------|-----|---------|
| Model | Year | MG | SG | Illustration | Restrictions | Update | 9:51 | 30.08.2006 | PORSCHE | PET | PORSCHE |
| 997t | 07 | 7 | 01 | 701-00 | | 203 | | | | | |

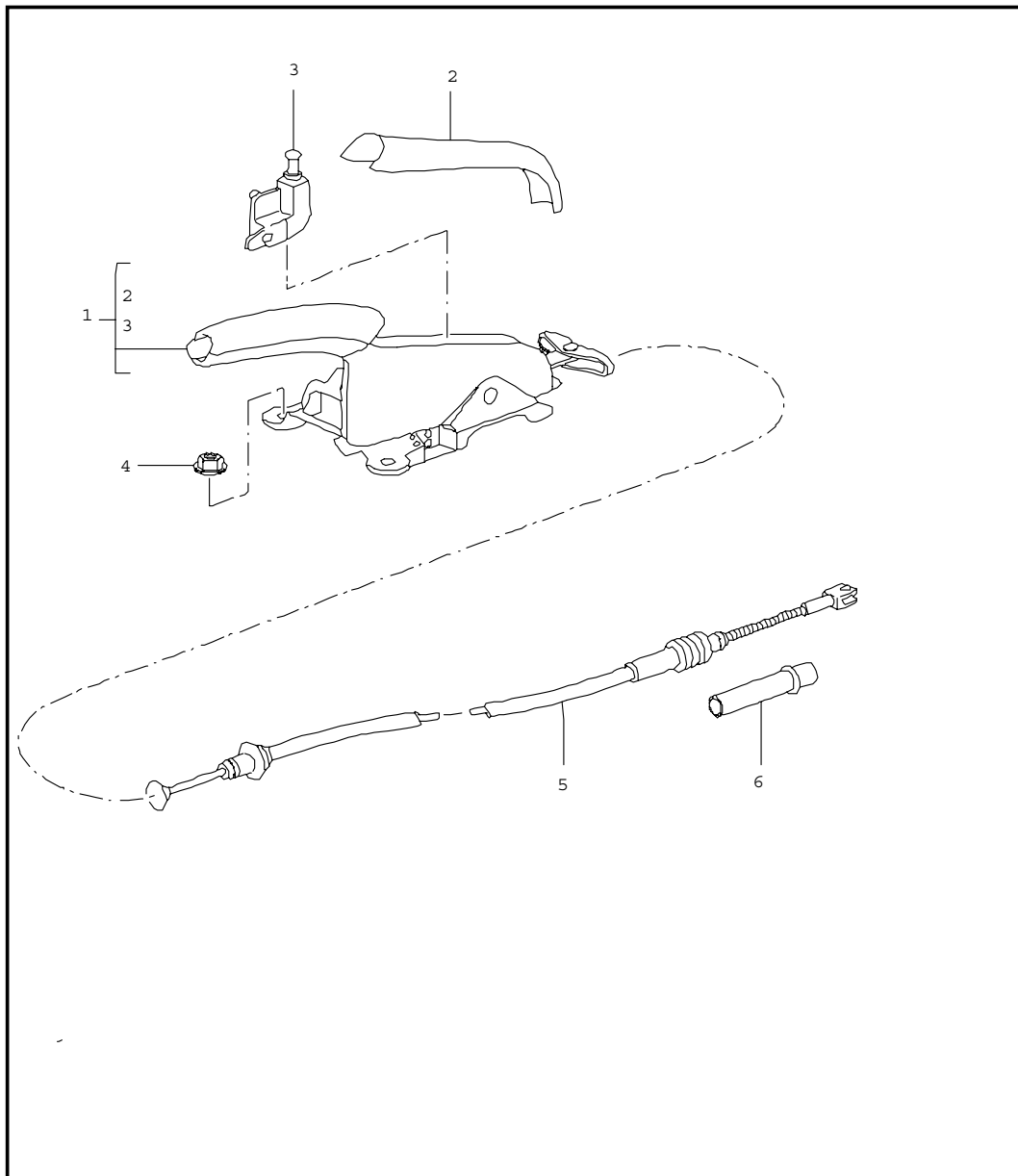
| Pos | Part Number | Name | Remarks | Qty | Model | Pos | Part Number | Name | Remarks | Qty | Model |
|-----|----------------|---------------------------------------|---------|-----|-------|-----|----------------|-------------------------------------|---------|-----|-------|
| | | FPH black | | | | | T11 | brown/natural | | | |
| | | FPJ stone grey | | | | - | 996 424 445 00 | clip for fastening part | | X | |
| | | FPK sand beige | | | | | | | | | |
| | | FPL sea blue | | | | 5 | 996 424 165 02 | bearing bracket | | 12 | |
| | | FPM palmgreen | | | | 6 | 999 073 209 09 | pan-head screw M 10 x 20 | | 2 | |
| | | FQA terracotta | | | | | | | | | |
| | | FQB cocoa | | | | 7 | 996 424 145 01 | fastening part for cable adjustable | | 1 | |
| | | FPN dark grey/natural | | | | | | | | | |
| | | FPO brown/natural | | | | 8 | 996 424 147 00 | fastening part for cable adjustable | | 1 | |
| (4) | 997 424 075 53 | gearshift knob carbon | | 1 | I803 | | | | | | |
| | | FPP black | | | | 9 | 000 043 205 93 | grease 1 tube 100 g | | X | |
| | | FPQ stone grey | | | | | | | | | |
| | | FPR sand beige | | | | | | | | | |
| | | FPS sea blue | | | | | | | | | |
| | | FPT palmgreen | | | | | | | | | |
| | | FQC terracotta | | | | | | | | | |
| | | FQD cocoa | | | | | | | | | |
| | | FPU dark grey/natural | | | | | | | | | |
| | | FPV brown/natural | | | | | | | | | |
| (4) | 997 424 981 00 | gearshift knob aluminium look leather | | 1 | IX97 | | | | | | |
| | | 8YR black | | | | | | | | | |
| | | 5X5 stone grey | | | | | | | | | |
| | | 8G1 sand beige | | | | | | | | | |
| | | 3S8 sea blue | | | | | | | | | |
| | | 4P1 palmgreen | | | | | | | | | |
| | | 9N2 terracotta | | | | | | | | | |
| | | 9Q3 cocoa | | | | | | | | | |
| | | D11 dark grey/natural | | | | | | | | | |

| | | | | | | | | | | | |
|-------|------|----|----|--------------|--------------|--------|------|------------|---------|-----|---------|
| Model | Year | MG | SG | Illustration | Restrictions | Update | 9:51 | 30.08.2006 | PORSCHE | PET | PORSCHE |
| 997t | 07 | 7 | 01 | 701-01 | | 203 | | | | | |



| Pos | Part Number | Name | Remarks | Qty | Model |
|-----|----------------|-------------------------------------|---------|-----|-------|
| | | selector lever tiptronic | | | I249 |
| 1 | 997 426 011 01 | support with housing | | 1 | |
| - | 996 613 212 10 | switch selector lever | | 1 | |
| 2 | 996 426 035 00 | fastening part for cable adjustable | | 1 | |
| 3 | 999 084 629 09 | hexagon nut M 6 | | 4 | |
| 4 | 997 426 069 00 | selector knob leather | | 1 | |
| | | 8YR black | | | |
| | | 5X5 stone grey | | | |
| | | 8G1 sand beige | | | |
| | | 3S8 sea blue | | | |
| | | 4P1 palmgreen | | | |
| | | 9N2 terracotta | | | |
| | | 9Q3 cocoa | | | |
| | | D11 dark grey/natural | | | |
| | | T11 brown/natural | | | |
| (4) | 997 426 069 03 | selector knob | | 1 | I803 |
| | | A35 carbon | | | |
| (4) | 997 426 069 04 | selector knob | | 1 | I801 |
| | | S61 makassar | | | |
| (4) | 997 426 069 04 | selector knob | | 1 | I802 |
| | | S62 sycamore wood | | | |
| (5) | 997 426 033 01 | cable | | 1 | |
| | | - - - E N D - - - | | | |

| | | | | | | | | | | | |
|-------|------|----|----|--------------|--------------|--------|------|------------|---------|-----|---------|
| Model | Year | MG | SG | Illustration | Restrictions | Update | 9:51 | 30.08.2006 | PORSCHE | PET | PORSCHE |
| 997t | 07 | 7 | 01 | 701-05 | | 203 | | | | | |



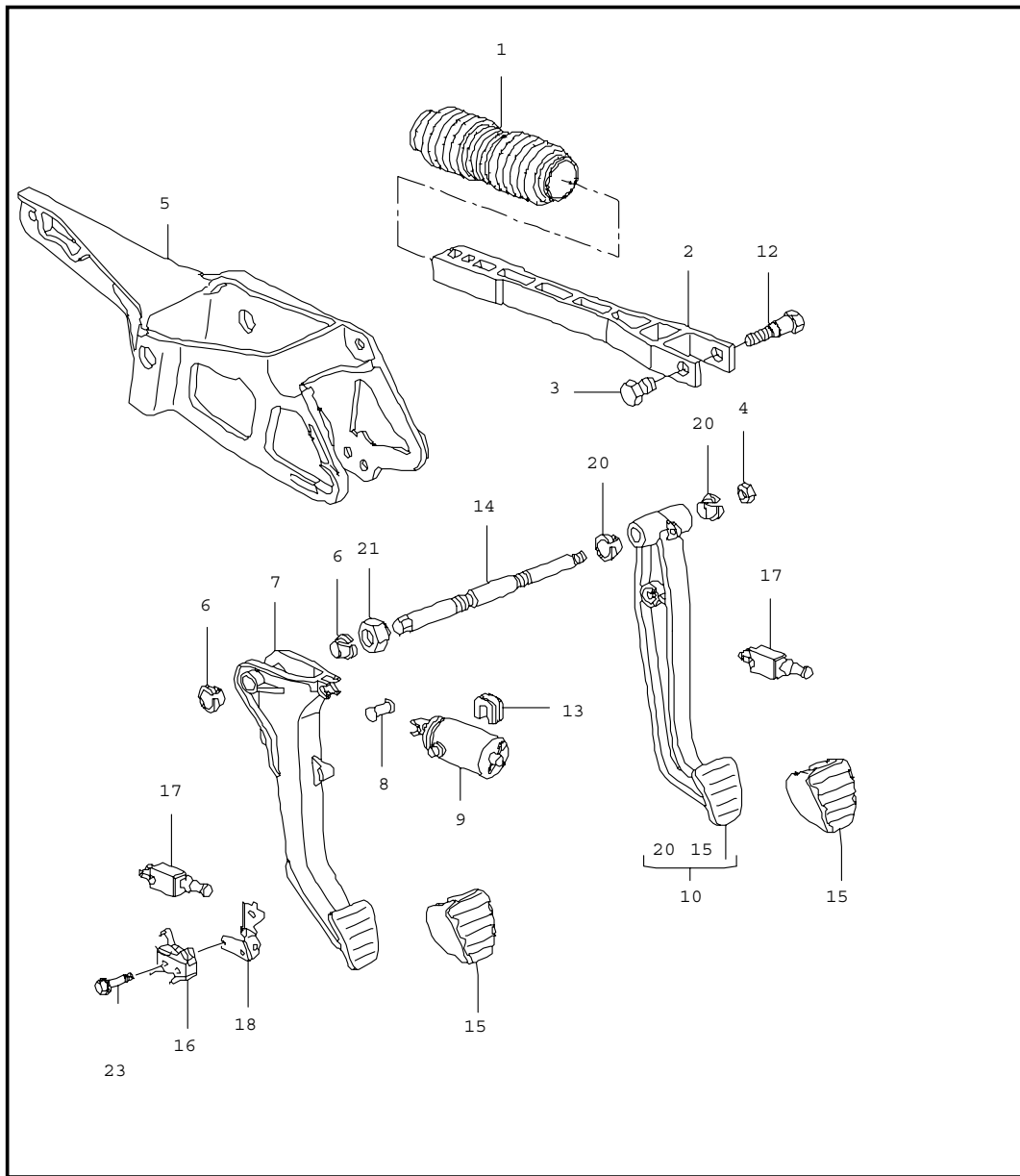
| Pos | Part Number | Name | Remarks | Qty | Model |
|-----|----------------|--|---------|-----|-------|
| | | handbrake actuator | | | |
| 1 | 997 424 031 52 | parking-brake lever complete leather | | 1 | |
| | 8YR | black | | | |
| | 5X5 | stone grey | | | |
| | 8G1 | sand beige | | | |
| | 3S8 | sea blue | | | |
| | 4P1 | palmgreen | | | |
| | 9N2 | terracotta | | | |
| | 9Q3 | cocoa | | | |
| | D11 | dark grey/natural | | | |
| | T11 | brown/natural | | | |
| (1) | 997 424 031 53 | parking-brake lever complete makassar | | 1 | I801 |
| | 8YR | black | | | |
| | 5X5 | stone grey | | | |
| | 8G1 | sand beige | | | |
| | 3S8 | sea blue | | | |
| | 4P1 | palmgreen | | | |
| | 9N2 | terracotta | | | |
| | 9Q3 | cocoa | | | |
| | D11 | dark grey/natural | | | |
| | T11 | brown/natural | | | |
| (1) | 997 424 031 54 | parking-brake lever complete sycamore wood | | 1 | I802 |
| | 8YR | black | | | |
| | 5X5 | stone grey | | | |
| | 8G1 | sand beige | | | |
| | 3S8 | sea blue | | | |

| | | | | | | | | | | | | |
|-------|------|----|----|--------------|--------------|--------|------|------------|---------|-----|---------|--|
| Model | Year | MG | SG | Illustration | Restrictions | Update | | | | | | |
| 997t | 07 | 7 | 01 | 701-05 | | 203 | 9:51 | 30.08.2006 | PORSCHE | PET | PORSCHE | |

| Pos | Part Number | Name | Remarks | Qty | Model | Pos | Part Number | Name | Remarks | Qty | Model |
|-----|----------------|-------------------------------------|---------|-----|----------|-----|----------------|---------------------|---------|-----|-------|
| | 4P1 | palmgreen | | | | | 5X5 | stone grey | | | |
| | 9N2 | terracotta | | | | | 8G1 | sand beige | | | |
| | 9Q3 | cocoa | | | | | 3S8 | sea blue | | | |
| | D11 | dark grey/natural | | | | | 4P1 | palmgreen | | | |
| | T11 | brown/natural | | | | | 9N2 | terracotta | | | |
| (1) | 997 424 031 55 | parking-brake lever complete carbon | | 1 | I803 | | 9Q3 | cocoa | | | |
| | 8YR | black | | | | | D11 | dark grey/natural | | | |
| | 5X5 | stone grey | | | | 2 | 997 424 155 00 | cover leather | | 1 | |
| | 8G1 | sand beige | | | | | 8YR | black | | | |
| | 3S8 | sea blue | | | | | 5X5 | stone grey | | | |
| | 4P1 | palmgreen | | | | | 8G1 | sand beige | | | |
| | 9N2 | terracotta | | | | | 3S8 | sea blue | | | |
| | 9Q3 | cocoa | | | | | 4P1 | palmgreen | | | |
| | D11 | dark grey/natural | | | | | 9N2 | terracotta | | | |
| | T11 | brown/natural | | | | | 9Q3 | cocoa | | | |
| (1) | 997 424 980 00 | parking-brake lever complete | /LL | 1 | IX98/098 | | D11 | dark grey/natural | | | |
| | 8YR | black | | | | | T11 | brown/natural | | | |
| | 5X5 | stone grey | | | | 3 | 996 613 112 01 | switch | | 1 | |
| | 8G1 | sand beige | | | | 4 | 999 084 630 09 | hexagon nut M 8 | | 4 | |
| | 3S8 | sea blue | | | | 5 | 997 424 141 06 | parking-brake cable | | 2 | |
| | 4P1 | palmgreen | | | | 6 | 996 424 721 02 | guide tube | | 2 | |
| | 9N2 | terracotta | | | | | | | | | |
| | 9Q3 | cocoa | | | | | | | | | |
| | D11 | dark grey/natural | | | | | | | | | |
| | T11 | brown/natural | | | | | | | | | |
| (1) | 997 424 980 01 | parking-brake lever complete | /RL | 1 | IX98/099 | | | | | | |
| | 8YR | black | | | | | | | | | |

- - - E N D - - -

| | | | | | | | | | | | |
|-------|------|----|----|--------------|--------------|--------|------|------------|---------|-----|---------|
| Model | Year | MG | SG | Illustration | Restrictions | Update | 9:51 | 30.08.2006 | PORSCHE | PET | PORSCHE |
| 997t | 07 | 7 | 02 | 702-00 | | 203 | | | | | |

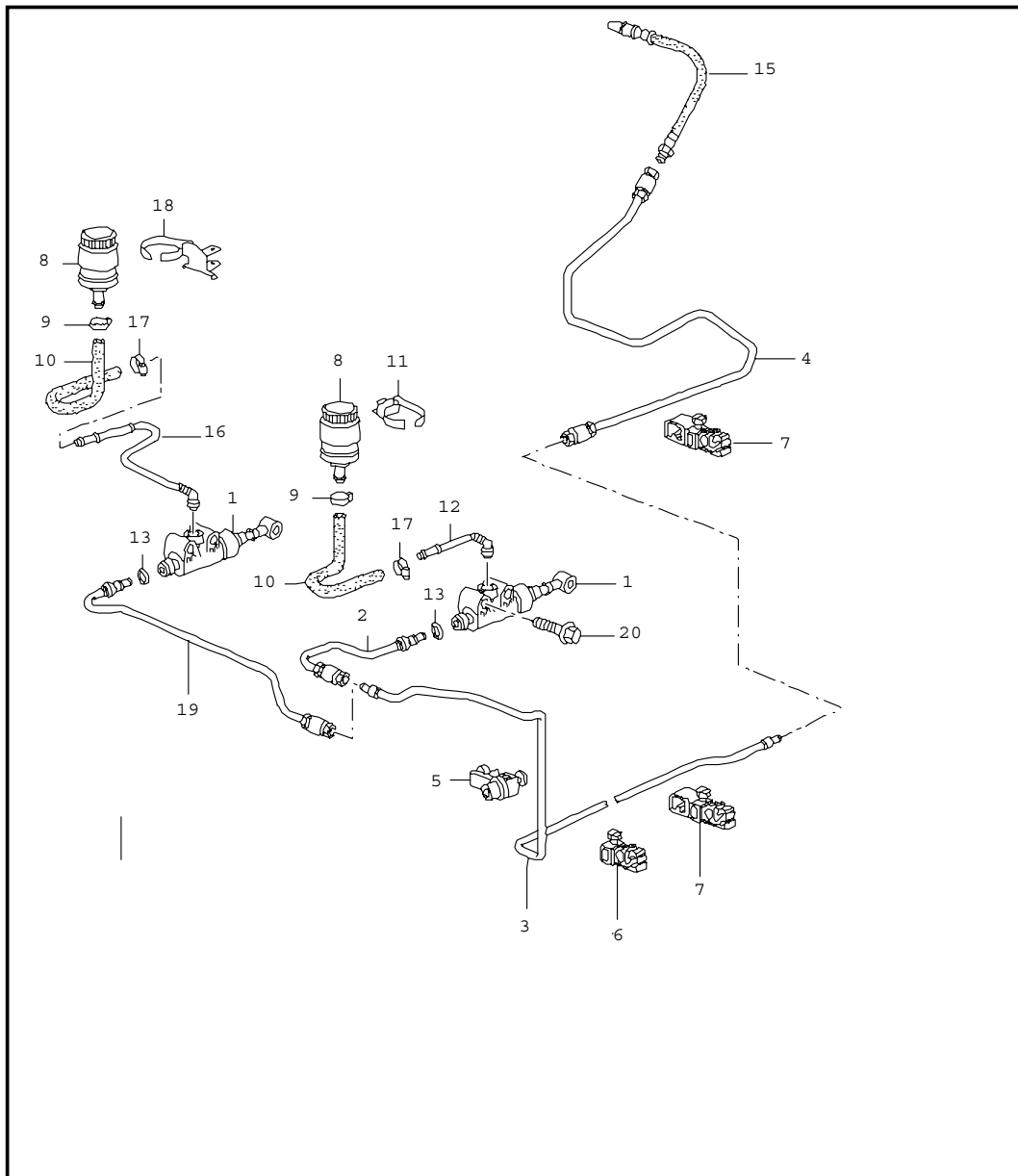


| Pos | Part Number | Name | Remarks | Qty | Model |
|------|----------------|---|---------|--------|----------|
| - | 000 043 206 17 | pedals | | X | |
| - | | grease l tube | | | |
| 1 | ... | bellows see illustrations 6/04/00 | | 1 | |
| 2 | 996 423 165 05 | push rod | | 1 | |
| 3 | 996 423 307 00 | sleeve | | 1 | |
| 4 | 900 380 005 09 | hexagon nut M 8 | | 3 2 | |
| 5 | 997 423 571 02 | bracket for clutch power spring | | 1 | I480 |
| 6 | 997 423 399 01 | bush | | 2 | I480 |
| 7 | 997 423 139 01 | clutch pedal | | 1 | I480 |
| (8) | 996 423 315 06 | bolt | | 1 | I480 |
| - | 999 166 022 02 | kl-lock for bolt | | 1 | I480 |
| 9 | 997 423 081 52 | clutch power spring | | 1 | |
| 10 | 997 423 091 04 | brake pedal | /LL | 1 | I480/098 |
| (10) | 997 423 092 04 | brake pedal | /RL | 1 | I480/099 |
| (10) | 997 423 093 04 | brake pedal | /LL | 1 | I249/098 |
| 10 | 997 423 094 04 | brake pedal | /RL | 1 | I249/099 |
| 12 | 996 423 308 00 | bolt | | 1 | |
| 13 | 997 423 581 00 | bearing shell | | 1 | |
| 14 | 997 423 281 00 | axle | /LL | 1 | I480/098 |
| (14) | 997 423 284 00 | axle | /RL | 1 | I480/099 |
| (14) | 996 423 283 05 | axle | /LL | 1 | I249/098 |
| (14) | 996 423 286 05 | axle | /RL | 1 | I249/099 |
| - | 996 423 277 00 | sleeve brake pedal | /RL | 1 | I099 |
| 15 | 997 423 910 00 | cap | | 2 | I480 |
| (15) | 997 423 912 00 | cap | | 1 | I249 |

| | | | | | | | | | | | |
|-------|------|----|----|--------------|--------------|--------|------|------------|---------|-----|---------|
| Model | Year | MG | SG | Illustration | Restrictions | Update | 9:51 | 30.08.2006 | PORSCHE | PET | PORSCHE |
| 997t | 07 | 7 | 02 | 702-00 | | 203 | | | | | |

| Pos | Part Number | Name | Remarks | Qty | Model | Pos | Part Number | Name | Remarks | Qty | Model |
|------|----------------|-------------------------------|---------|-----|-------|-----|-------------|------|---------|-----|-------|
| 16 | 997 613 109 00 | switch | | 1 | I480 | | | | | | |
| (17) | 996 613 113 01 | switch brake pedal | | 2 | | | | | | | |
| (17) | 996 613 114 01 | switch clutch pedal | | 1 | | | | | | | |
| 18 | 997 423 541 00 | support | | 1 | | | | | | | |
| 20 | 997 423 401 00 | bush | /LL | 2 | I098 | | | | | | |
| (20) | 997 423 402 00 | bush | /RL | 2 | I099 | | | | | | |
| 21 | 997 423 275 01 | screw plug | | 1 | | | | | | | |
| 22 | 900 378 273 09 | hexagon-head bolt M 6 X 18 | | 1 | | | | | | | |
| 23 | 900 146 159 02 | round head screw M 3 X 20 | | 1 | | | | | | | |
| 24 | 997 423 695 00 | rubber stop | | 1 | | | | | | | |
| 25 | 997 423 697 00 | rubber stop | | 1 | | | | | | | |
| | | - - - E N D - - - | | | | | | | | | |

| | | | | | | | | | | | |
|-------|------|----|----|--------------|--------------|--------|------|------------|---------|-----|---------|
| Model | Year | MG | SG | Illustration | Restrictions | Update | 9:52 | 30.08.2006 | PORSCHE | PET | PORSCHE |
| 997t | 07 | 7 | 02 | 702-08 | | 203 | | | | | |

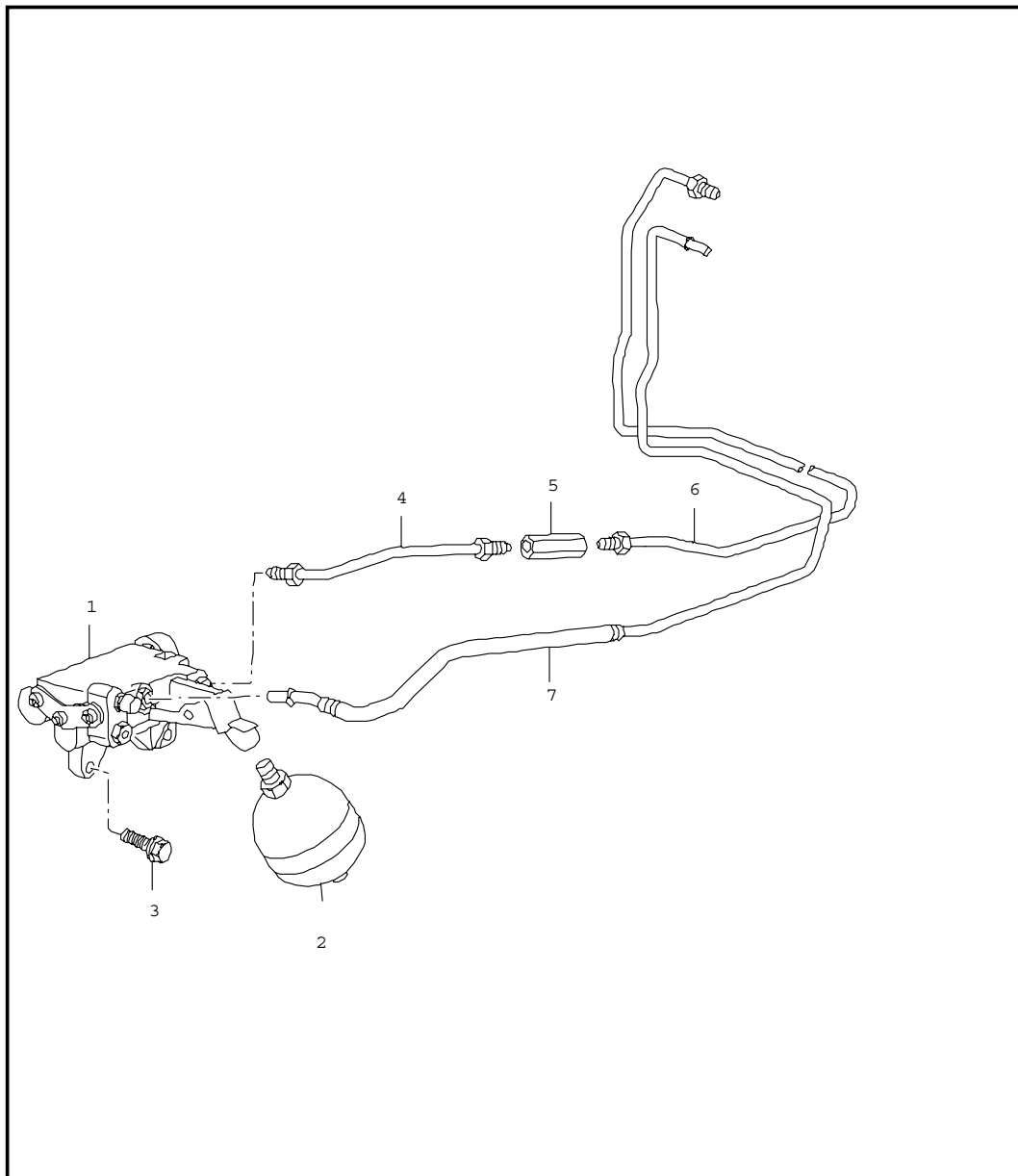


| Pos | Part Number | Name | Remarks | Qty | Model |
|------|----------------|---|---------|-----|-------|
| | | clutch control clutch master cylinder clutch pipeline | | | |
| 1 | 997 423 171 50 | clutch master cylinder | | 1 | |
| - | 996 423 614 00 | circlip pressure line | | 1 | |
| - | 996 423 315 06 | bolt | | 1 | |
| - | 999 166 022 02 | kl-lock for bolt | | 1 | |
| 2 | 996 423 107 50 | clutch pipeline | /LL | 1 | I098 |
| 3 | 997 423 109 50 | clutch pipeline | /LL | 1 | I098 |
| (4) | 997 423 113 50 | clutch pipeline | /LL | 1 | I098 |
| 5 | 996 355 549 00 | support | | 1 | |
| 6 | 996 355 545 00 | support | | 2 | |
| 7 | 996 355 543 00 | support | | 4 | |
| 8 | 993 423 417 00 | container | | 1 | |
| 9 | 999 512 650 09 | hose clamp | | 1 | |
| 10 | 997 423 343 51 | hose | /LL | 1 | I098 |
| (10) | 997 423 344 50 | hose | /RL | 1 | I099 |
| 11 | 997 423 245 50 | support | /LL | 1 | I098 |
| 12 | 997 423 147 50 | feed line | /LL | 1 | I098 |
| 13 | 999 707 403 40 | sealing ring | /LL | X | I098 |
| - | 999 591 964 40 | support clutch hose | | X | |
| 15 | 996 423 377 52 | clutch hose | | 1 | |
| 16 | 996 423 142 51 | clutch pipeline | /RL | 1 | I099 |
| 17 | 999 512 650 09 | hose clamp | | 1 | |
| 18 | 997 423 246 50 | support | /RL | 1 | I099 |
| 19 | 997 423 108 50 | clutch pipeline | /RL | 1 | I099 |
| 20 | 900 378 029 09 | hexagon-head bolt M 6X 40 | | 2 | |

| | | | | | | | | | | | |
|-------|------|----|----|--------------|--------------|--------|------|------------|---------|-----|---------|
| Model | Year | MG | SG | Illustration | Restrictions | Update | | | | | |
| 997t | 07 | 7 | 02 | 702-08 | | 203 | 9:52 | 30.08.2006 | PORSCHE | PET | PORSCHE |

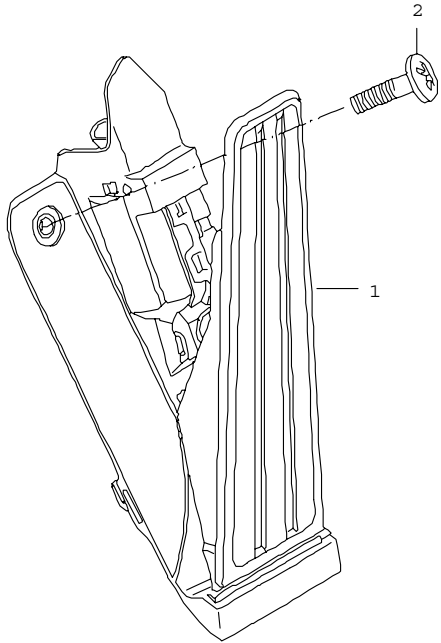
| Pos | Part Number | Name | Remarks | Qty | Model | Pos | Part Number | Name | Remarks | Qty | Model |
|-----|----------------|---------------------|---------|-----|-------|-----|-------------|------|---------|-----|-------|
| - | 000 043 203 33 | pentosin 1000 ML | | X | | | | | | | |
| | | - - - E N D - - - | | | | | | | | | |

| | | | | | | | | | | | |
|-------|------|----|----|--------------|--------------|--------|------|------------|---------|-----|---------|
| Model | Year | MG | SG | Illustration | Restrictions | Update | 9:52 | 30.08.2006 | PORSCHE | PET | PORSCHE |
| 997t | 07 | 7 | 02 | 702-09 | | 203 | | | | | |



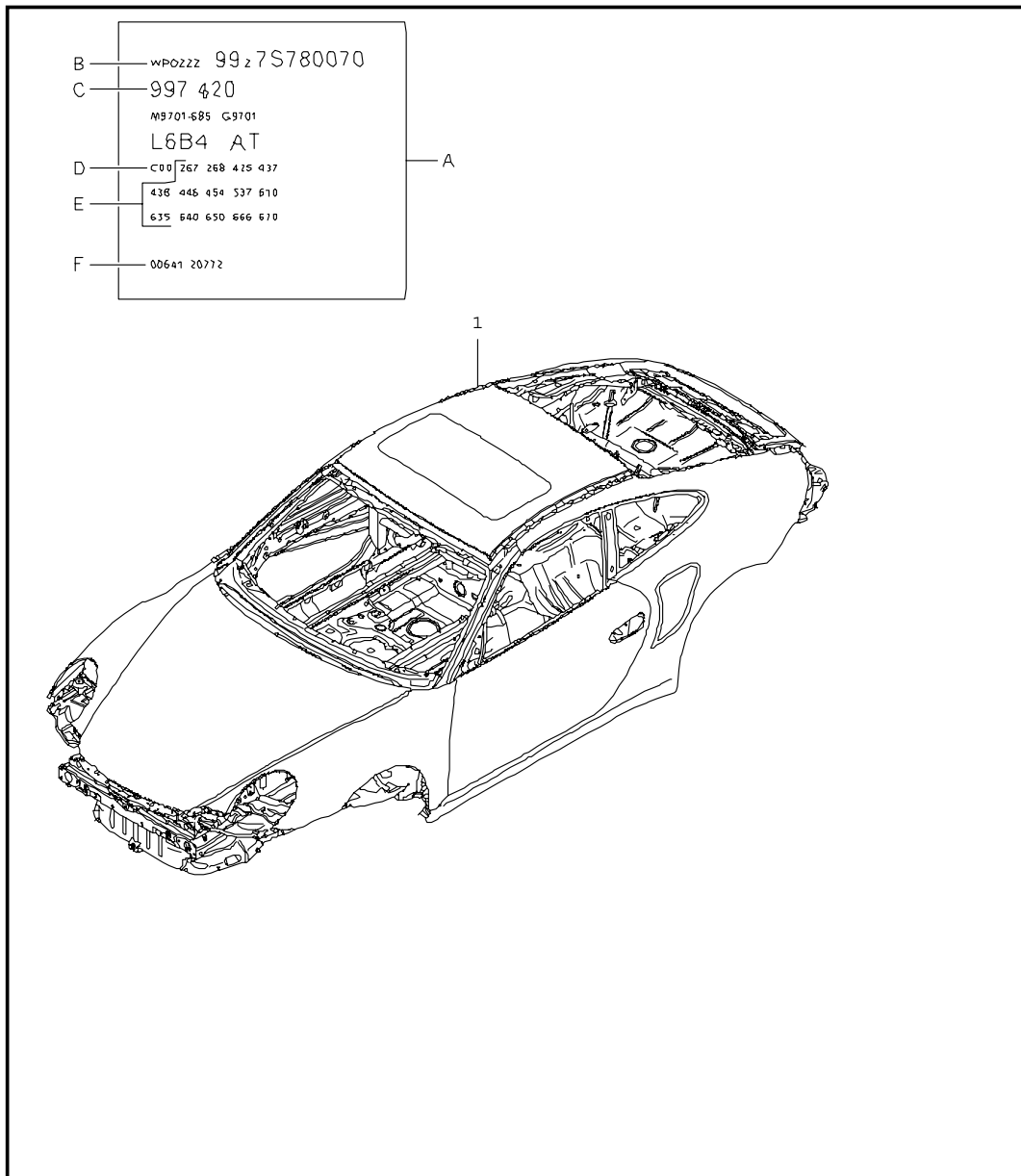
| Pos | Part Number | Name | Remarks | Qty | Model |
|-----|----------------|--|---------|-----|-------|
| | | clutch control clutch pipeline pressure accumulator clutch operating cylinder | | | |
| 1 | 996 116 237 52 | clutch operating cylinder | | 1 | |
| - | 999 507 745 09 | cable clamp 13,5 | | 1 | |
| 2 | 996 314 166 00 | pressure accumulator | | 1 | |
| - | 999 707 529 40 | sealing ring for pressure accumulator | | 1 | |
| 3 | 900 075 222 09 | hexagon-head bolt M 8 X 30 | | 2 | |
| 4 | 997 314 288 00 | pressure line | | 1 | |
| - | 996 314 211 00 | support pressure line | | 1 | |
| 5 | 999 136 041 30 | threaded joint | | 1 | |
| 6 | 997 314 282 00 | pressure line | | 1 | |
| 7 | 997 314 280 00 | return line | | 1 | |
| - | 000 043 203 33 | pentosin 1000 ML | | X | |
| | | - - - E N D - - - | | | |

| | | | | | | | | | | | |
|-------|------|----|----|--------------|--------------|--------|------|------------|---------|-----|---------|
| Model | Year | MG | SG | Illustration | Restrictions | Update | 9:52 | 30.08.2006 | PORSCHE | PET | PORSCHE |
| 997t | 07 | 7 | 02 | 702-10 | | 203 | | | | | |



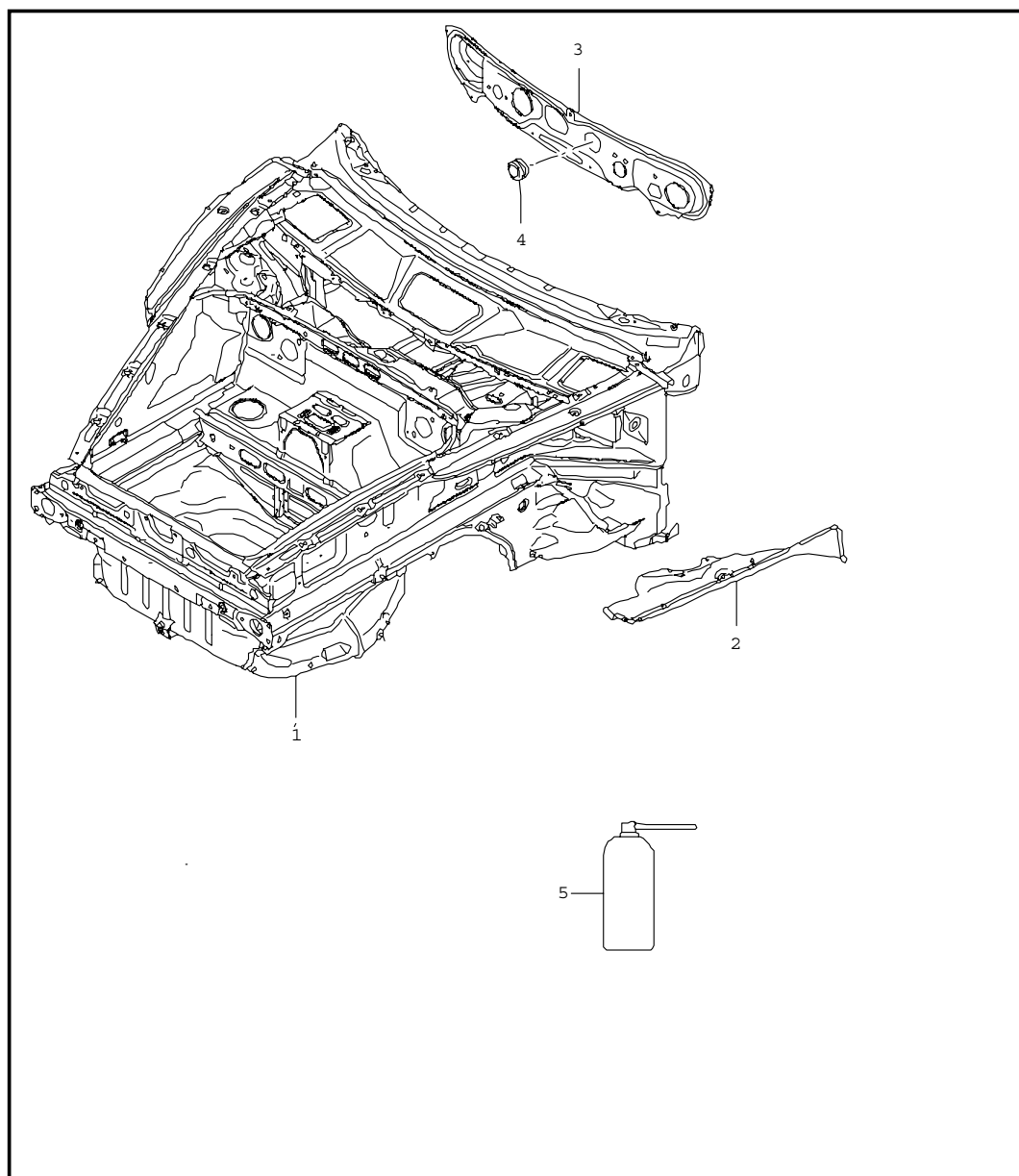
| Pos | Part Number | Name | Remarks | Qty | Model |
|-------------------|----------------|-------------------------------|---------|-----|-------|
| | | pedals accelerator control | | | |
| 1 | 997 423 019 02 | accelerator control | | 1 | I480 |
| (1) | 997 423 021 02 | accelerator control | | 1 | I249 |
| 2 | 900 146 161 09 | round head screw M 6 X 20 | | 1 | |
| - - - E N D - - - | | | | | |

| | | | | | | | | | | | |
|-------|------|----|----|--------------|--------------|--------|------|------------|---------|-----|---------|
| Model | Year | MG | SG | Illustration | Restrictions | Update | 9:52 | 30.08.2006 | PORSCHE | PET | PORSCHE |
| 997t | 07 | 8 | 01 | 801-00 | | 203 | | | | | |



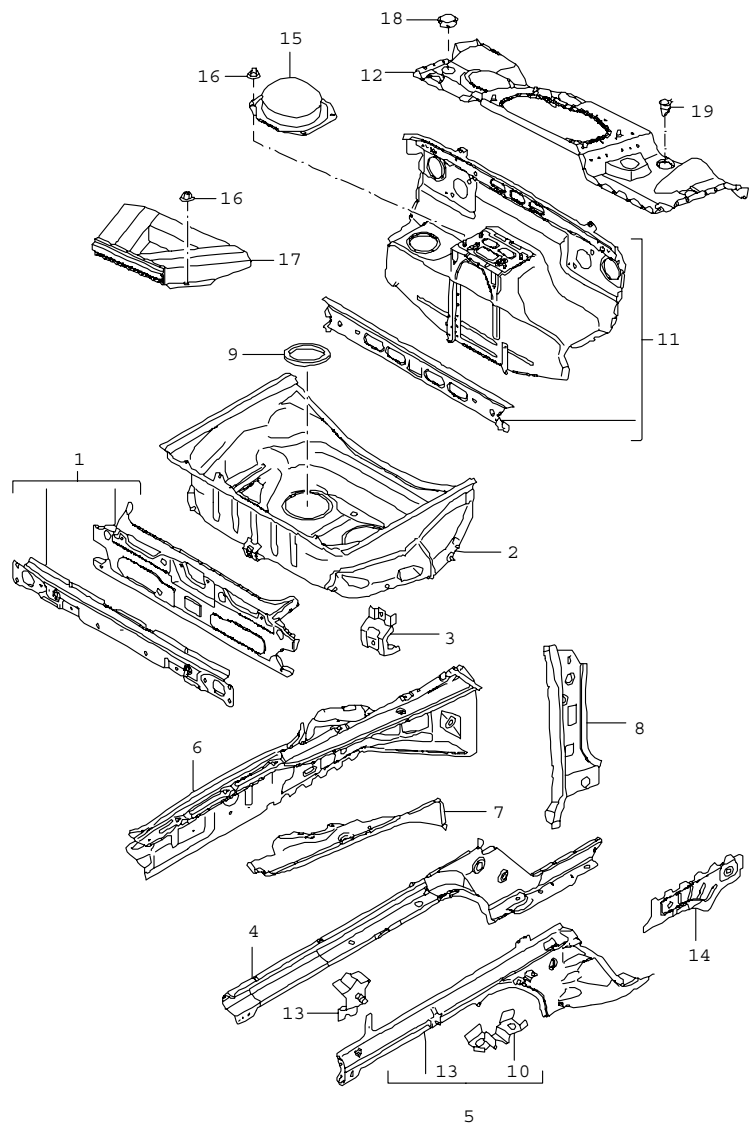
| Pos | Part Number | Name | Remarks | Qty | Model |
|-----|----------------|---|---------|-----|-------|
| | | body in white | | | |
| | | prime coated sealed with underbody protection with doors/lids/wings | | | |
| | | bodyshells can only be delivered of the current model year | | | |
| | | the data (b-f) that you need for your order please find in the data vehicle data bank in on-board folder please indicate this data in your order | | | |
| A | - | data bank of the car | | | |
| B | - | vehicle identification no. | | | |
| C | - | order type | | | |
| D | - | country equipment | | | |
| E | - | optional extras | | | |
| F | - | additional applications | | | |
| 1 | 997 500 900 00 | body in white | | 1 | |
| | GRV | prime coated | | | |
| | | - - - E N D - - - | | | |

| | | | | | | | | | | | |
|-------|------|----|----|--------------|--------------|--------|------|------------|---------|-----|---------|
| Model | Year | MG | SG | Illustration | Restrictions | Update | 9:52 | 30.08.2006 | PORSCHE | PET | PORSCHE |
| 997t | 07 | 8 | 01 | 801-05 | | 203 | | | | | |



| Pos | Part Number | Name | Remarks | Qty | Model |
|-----|----------------|--|---------|-----|-------|
| | | body front section | | | |
| 1 | 997 501 911 01 | body front section | /LL | 1 | |
| | GRV | prime coated use also: sealing compound Pos. 5 processing instructions see technical manual | | | |
| (1) | 997 501 911 02 | body front section | /RL | 1 | |
| | GRV | prime coated use also: sealing compound Pos. 5 processing instructions see technical manual | | | |
| 2 | 997 501 945 00 | lower part | /L | 1 | |
| | GRV | | | | |
| (2) | 997 501 946 01 | lower part | /R | 1 | |
| | GRV | | | | |
| 3 | 997 504 121 00 | cover | /LL | 1 | |
| (3) | 997 504 121 01 | cover | /RL | 1 | |
| | | use also: | | | |
| -- | 000 043 300 94 | adhesive set | | 1 | |
| 4 | 999 702 255 41 | cover 61,5 X 72,6 | | 1 | |
| 5 | 999 915 337 40 | sealing compound | | 1 | |
| | | - - - E N D - - - | | | |

| | | | | | | | | | | | |
|-------|------|----|----|--------------|--------------|--------|------|------------|---------|-----|---------|
| Model | Year | MG | SG | Illustration | Restrictions | Update | 9:53 | 30.08.2006 | PORSCHE | PET | PORSCHE |
| 997t | 07 | 8 | 01 | 801-10 | | 203 | | | | | |

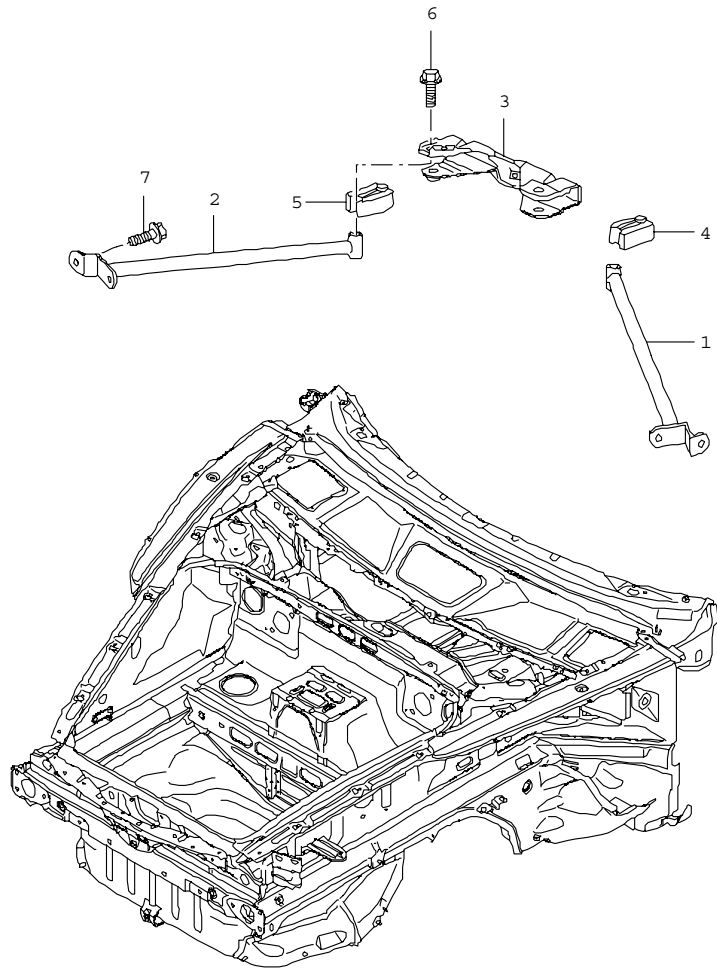


| Pos | Part Number | Name | Remarks | Qty | Model |
|-----|----------------|------------------------------------|---------|-----|-------|
| | | body front section single parts | | | |
| 1 | 997 501 931 00 | terminal piece | | 1 | |
| | GRV | prime coated | | | |
| 2 | 997 501 979 01 | spare-wheel well | /LL | 1 | |
| | GRV | prime coated | | | |
| 2 | 997 501 979 02 | spare-wheel well | /RL | 1 | |
| | GRV | prime coated | | | |
| 3 | 996 501 621 00 | support | | 3 | |
| | GRV | prime coated | | | |
| 4 | 997 501 305 01 | side member | /L | 1 | |
| | GRV | prime coated | | | |
| (4) | 997 501 306 01 | side member | /R | 1 | |
| | GRV | prime coated | | | |
| 5 | 997 501 915 01 | side member | /L | 1 | |
| | GRV | prime coated | | | |
| (5) | 997 501 916 01 | side member | /R | 1 | |
| | GRV | prime coated | | | |
| 6 | 997 501 935 00 | wheel housing | /L | 1 | |
| | GRV | prime coated | | | |
| (6) | 997 501 936 01 | wheel housing | /R | 1 | |
| | GRV | prime coated | | | |
| 7 | 997 501 945 00 | lower part | /L | 1 | |
| | GRV | prime coated | | | |
| (7) | 997 501 946 01 | lower part | /R | 1 | |
| | GRV | prime coated | | | |
| 8 | 997 501 937 00 | hinge pillar | /L | 1 | |
| | GRV | prime coated | | | |
| (8) | 997 501 938 00 | hinge pillar | /R | 1 | |
| | GRV | prime coated | | | |

| | | | | | | | | | | | |
|-------|------|----|----|--------------|--------------|--------|------|------------|---------|-----|---------|
| Model | Year | MG | SG | Illustration | Restrictions | Update | 9:53 | 30.08.2006 | PORSCHE | PET | PORSCHE |
| 997t | 07 | 8 | 01 | 801-10 | | 203 | | | | | |

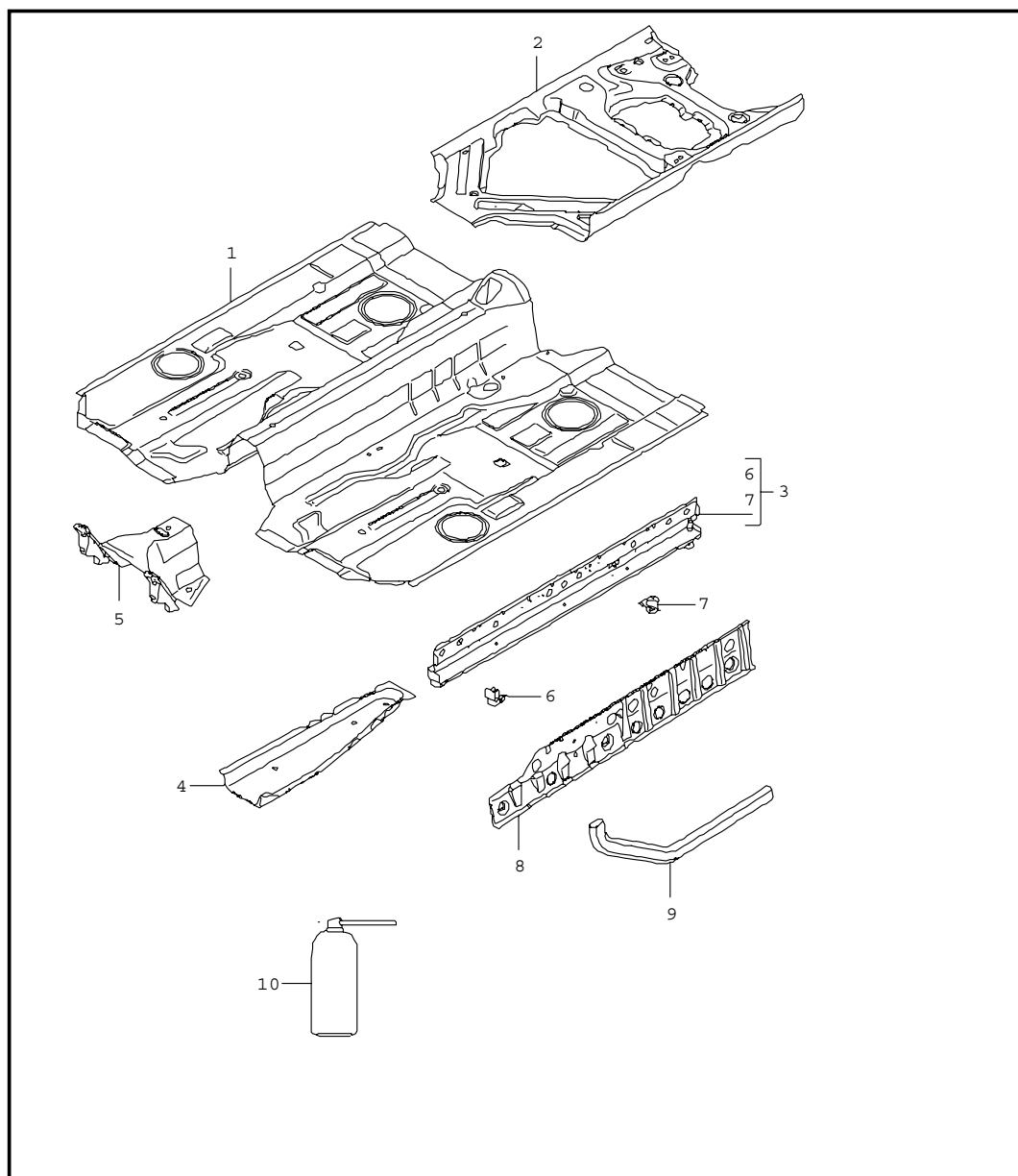
| Pos | Part Number | Name | Remarks | Qty | Model | Pos | Part Number | Name | Remarks | Qty | Model |
|------|----------------|------------------------------|---------|-----|-------|-----|-------------|------|---------|-----|-------|
| 9 | 996 504 201 01 | cover \$ 145 MM | | 2 | | | | | | | |
| 10 | 996 501 815 02 | support | | 2 | | | | | | | |
| | GRV | prime coated | | | | | | | | | |
| 11 | 997 502 915 00 | bulkhead | /LL | 1 | | | | | | | |
| | GRV | prime coated | | | | | | | | | |
| (11) | 997 502 915 01 | bulkhead | /RL | 1 | | | | | | | |
| | GRV | prime coated | | | | | | | | | |
| 12 | 997 502 017 00 | cross panel | | 1 | | | | | | | |
| | GRV | prime coated | | | | | | | | | |
| 13 | 996 501 341 00 | support | | 2 | | | | | | | |
| | GRV | prime coated | | | | | | | | | |
| 14 | 997 501 665 01 | separator | /L | 1 | | | | | | | |
| | GRV | prime coated | | | | | | | | | |
| (14) | 997 501 666 01 | separator | /R | 1 | | | | | | | |
| | GRV | prime coated | | | | | | | | | |
| 15 | 997 504 471 00 | cover bulkhead | | 1 | | | | | | | |
| 16 | 900 380 015 09 | hexagon nut M6 | | 7 | | | | | | | |
| 17 | 997 504 403 00 | insert spare-wheel well | | 1 | | | | | | | |
| 18 | 803 803 583 | rubber sleeve 30,0 X 40,0 | | 1 | | | | | | | |
| 19 | 999 703 476 40 | grommet 29,8 X 1,0 | | 4 | | | | | | | |
| | | - - - E N D - - - | | | | | | | | | |

| | | | | | | | | | | | |
|-------|------|----|----|--------------|--------------|--------|------|------------|---------|-----|---------|
| Model | Year | MG | SG | Illustration | Restrictions | Update | 9:53 | 30.08.2006 | PORSCHE | PET | PORSCHE |
| 997t | 07 | 8 | 01 | 801-15 | | 203 | | | | | |



| Pos | Part Number | Name | Remarks | Qty | Model |
|-----|----------------|-------------------|---------|-----|-------|
| | | dome strut | | | |
| 1 | 996 504 233 01 | dome strut | /L | 1 | |
| 2 | 996 504 234 01 | dome strut | /R | 1 | |
| 3 | 997 504 359 00 | bracket | | 1 | |
| 4 | 996 504 633 00 | filler piece | /L | 1 | |
| 5 | 996 504 634 00 | filler piece | /R | 1 | |
| 6 | 900 378 100 09 | hexagon-head bolt | | 2 | |
| | | AM 10 X 45 | | | |
| 7 | 900 075 010 09 | hexagon-head bolt | | 4 | |
| | | M 6 X 12 | | | |
| | | - - - E N D - - - | | | |

| | | | | | | | | | | | |
|-------|------|----|----|--------------|--------------|--------|------|------------|---------|-----|---------|
| Model | Year | MG | SG | Illustration | Restrictions | Update | 9:53 | 30.08.2006 | PORSCHE | PET | PORSCHE |
| 997t | 07 | 8 | 01 | 801-20 | | 203 | | | | | |

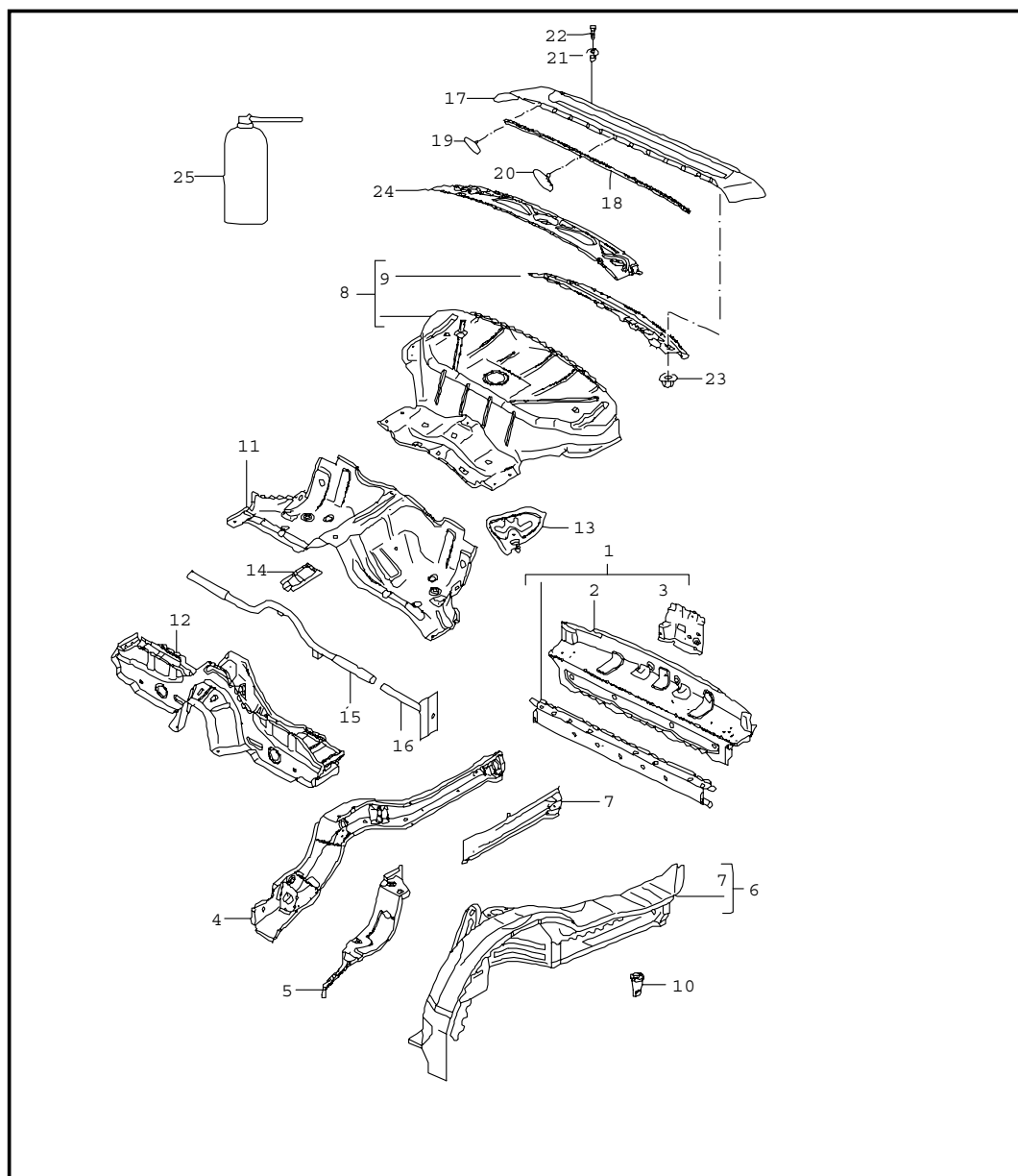


| Pos | Part Number | Name | Remarks | Qty | Model |
|-----|----------------|-------------------------------------|---------|-----|-------|
| - | 000 043 206 29 | floor centre | | X | |
| - | 000 043 206 30 | adhesive set body comprising: | | 1 | |
| - | 000 043 206 31 | adhesive | | 1 | |
| - | 000 043 206 31 | tool | | 1 | |
| - | 000 043 206 32 | tool | | 1 | |
| - | 000 043 206 33 | activator | | 1 | |
| 1 | 997 501 551 01 | floor | | 1 | |
| | GRV | prime coated | | | |
| 2 | 997 501 953 01 | seat support | /L | 1 | |
| | GRV | prime coated | | | |
| (2) | 997 501 954 01 | seat support | /R | 1 | |
| | GRV | prime coated | | | |
| 3 | 997 501 157 00 | side member | /L | 1 | |
| | GRV | prime coated | | | |
| (3) | 997 501 158 00 | side member | /R | 1 | |
| | GRV | prime coated | | | |
| 4 | 997 501 525 00 | side member | /L | 1 | |
| | GRV | prime coated | | | |
| (4) | 997 501 526 00 | side member | /R | 1 | |
| | GRV | prime coated | | | |
| 5 | 996 501 751 00 | extension | | 1 | |
| | GRV | prime coated | | | |
| 6 | 996 501 785 00 | jacking point | /L/V | 1 | |
| | GRV | prime coated | | | |
| (6) | 996 501 786 00 | jacking point | /R/V | 1 | |
| | GRV | prime coated | | | |
| 7 | 996 501 481 01 | jacking point | /L/H | 1 | |
| | GRV | prime coated | | | |

| | | | | | | | | | | | |
|-------|------|----|----|--------------|--------------|--------|------|------------|---------|-----|---------|
| Model | Year | MG | SG | Illustration | Restrictions | Update | 9:53 | 30.08.2006 | PORSCHE | PET | PORSCHE |
| 997t | 07 | 8 | 01 | 801-20 | | 203 | | | | | |

| Pos | Part Number | Name | Remarks | Qty | Model | Pos | Part Number | Name | Remarks | Qty | Model |
|-----|----------------|-------------------------|---------|-----|-------|-----|-------------|------|---------|-----|-------|
| (7) | 996 501 482 01 | jacking point | /R/H | 1 | | | | | | | |
| | GRV | prime coated | | | | | | | | | |
| 8 | 997 501 329 00 | retaining bracket | /L | 1 | | | | | | | |
| | GRV | prime coated | | | | | | | | | |
| (8) | 997 501 330 00 | retaining bracket | /R | 1 | | | | | | | |
| | GRV | prime coated | | | | | | | | | |
| 9 | 997 501 439 00 | support tube | | 2 | | | | | | | |
| | GRV | prime coated | | | | | | | | | |
| | | use also: | | | | | | | | | |
| | | sealing compound | | | | | | | | | |
| | | Pos. 12 | | | | | | | | | |
| | | processing instructions | | | | | | | | | |
| | | see technical manual | | | | | | | | | |
| | | 51 49 55 | | | | | | | | | |
| 10 | 999 915 337 40 | sealing compound | | 1 | | | | | | | |
| | | - - - E N D - - - | | | | | | | | | |

| | | | | | | | | | | | |
|-------|------|----|----|--------------|--------------|--------|------|------------|---------|-----|---------|
| Model | Year | MG | SG | Illustration | Restrictions | Update | 9:53 | 30.08.2006 | PORSCHE | PET | PORSCHE |
| 997t | 07 | 8 | 01 | 801-35 | | 203 | | | | | |

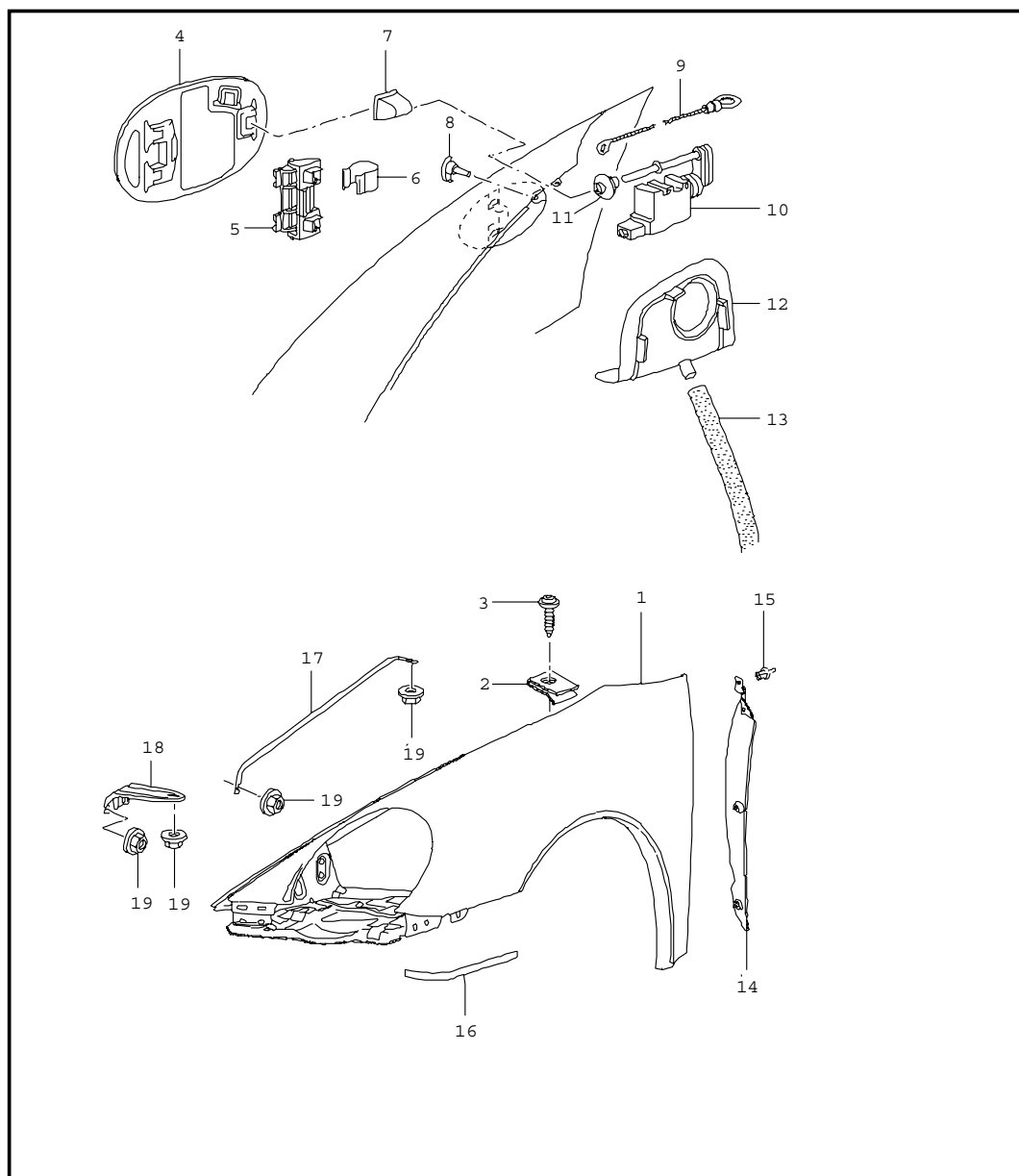


| Pos | Part Number | Name | Remarks | Qty | Model |
|-----|----------------|---|---------|-----|-------|
| | | rear end | | | |
| 1 | 997 501 973 01 | terminal piece | | 1 | |
| | GRV | prime coated | | | |
| 2 | 997 501 273 00 | end plate | | 1 | |
| | GRV | prime coated | | | |
| 3 | 997 501 247 00 | lock carrier | | 1 | |
| | GRV | prime coated | | | |
| 4 | 997 501 977 00 | side member | /L | 1 | |
| | GRV | prime coated use also: sealing compound Pos. 31 processing instructions see technical manual 53 48 55 | | | |
| (4) | 997 501 978 00 | side member | /R | 1 | |
| | GRV | prime coated use also: sealing compound Pos. 31 processing instructions see technical manual 53 48 55 | | | |
| 5 | 996 501 933 00 | side member | /L | 1 | |
| | GRV | prime coated outer | | | |
| (5) | 996 501 934 00 | side member | /R | 1 | |
| | GRV | prime coated outer | | | |
| 6 | 997 501 943 00 | wheel housing | /L | 1 | |
| | GRV | prime coated it is necessary to rework see workshop manual | | | |
| (6) | 997 501 944 00 | wheel housing | /R | 1 | |
| | GRV | prime coated it is necessary to rework see workshop manual | | | |
| 7 | 996 501 595 01 | side member | /L | 1 | |

| | | | | | | | | | | | |
|-------|------|----|----|--------------|--------------|--------|------|------------|---------|-----|---------|
| Model | Year | MG | SG | Illustration | Restrictions | Update | 9:53 | 30.08.2006 | PORSCHE | PET | PORSCHE |
| 997t | 07 | 8 | 01 | 801-35 | | 203 | | | | | |

| Pos | Part Number | Name | Remarks | Qty | Model | Pos | Part Number | Name | Remarks | Qty | Model |
|------|----------------|---|---------|-----|-------|-----|----------------|--|---------|-----|-------|
| | | GRV prime coated | | | | 18 | 997 504 612 00 | gasket rear centre panel prime coated | | 1 | |
| (7) | 996 501 596 01 | side member | /R | 1 | | | | | | | |
| | | GRV prime coated | | | | 19 | 999 507 973 40 | mount 2,8 X 6 X 30 | | 2 | |
| 8 | 997 502 911 02 | rear wall | | 1 | | 20 | 999 507 974 40 | mount 2,8 X 6 X 50 | | 10 | |
| | | GRV prime coated order also: POS. 12 see workshop manual | | | | 21 | 999 500 109 02 | blind rivet nut M 6/0,8 - 3 | | 3 | |
| 9 | 997 502 673 00 | cross member | | 1 | | 22 | 999 073 263 09 | screw M 6 X 12 | | 3 | |
| | | GRV prime coated | | | | 23 | 999 076 029 02 | hexagon nut M 6 | | 2 | |
| 10 | 996 561 825 00 | water drain valve wheel housing rear | | 2 | I650 | 24 | 997 502 409 01 | filler plate | | 1 | |
| 11 | 997 501 549 00 | seat well | | 1 | | | | GRV prime coated rear centre panel use also: | | | |
| | | GRV prime coated | | | | - | 999 915 650 40 | adhesive TEROMIX 6700 | | X | |
| 12 | 997 501 955 00 | cross member seat well | | 1 | | - | 000 043 300 48 | tool | | X | |
| | | GRV prime coated | | | | - | 000 043 206 29 | adhesive set body comprising: | | X | |
| 13 | 996 501 461 02 | reinforcement seat well | /L | 1 | | - | 000 043 206 30 | adhesive | | 1 | |
| | | GRV prime coated | | | | - | 000 043 206 31 | tool | | 1 | |
| (13) | 996 501 462 02 | reinforcement seat well | /R | 1 | | - | 000 043 206 32 | tool | | 1 | |
| | | GRV prime coated | | | | - | 000 043 206 33 | activator | | 1 | |
| 14 | 996 501 659 01 | bracket bearing bracket | | 1 | | 25 | 999 915 337 40 | sealing compound | | 1 | |
| | | GRV prime coated | | | | | | - - - E N D - - - | | | |
| 15 | 996 501 411 00 | pipe | | 1 | | | | | | | |
| | | GRV prime coated | | | | | | | | | |
| 16 | 996 501 415 00 | sleeve | | 2 | | | | | | | |
| | | GRV prime coated | | | | | | | | | |
| 17 | 997 504 345 01 | rear centre panel outer | | 1 | | | | | | | |
| | | GRV prime coated | | | | | | | | | |

| | | | | | | | | | | | |
|-------|------|----|----|--------------|--------------|--------|------|------------|---------|-----|---------|
| Model | Year | MG | SG | Illustration | Restrictions | Update | 9:54 | 30.08.2006 | PORSCHE | PET | PORSCHE |
| 997t | 07 | 8 | 01 | 801-40 | | 203 | | | | | |

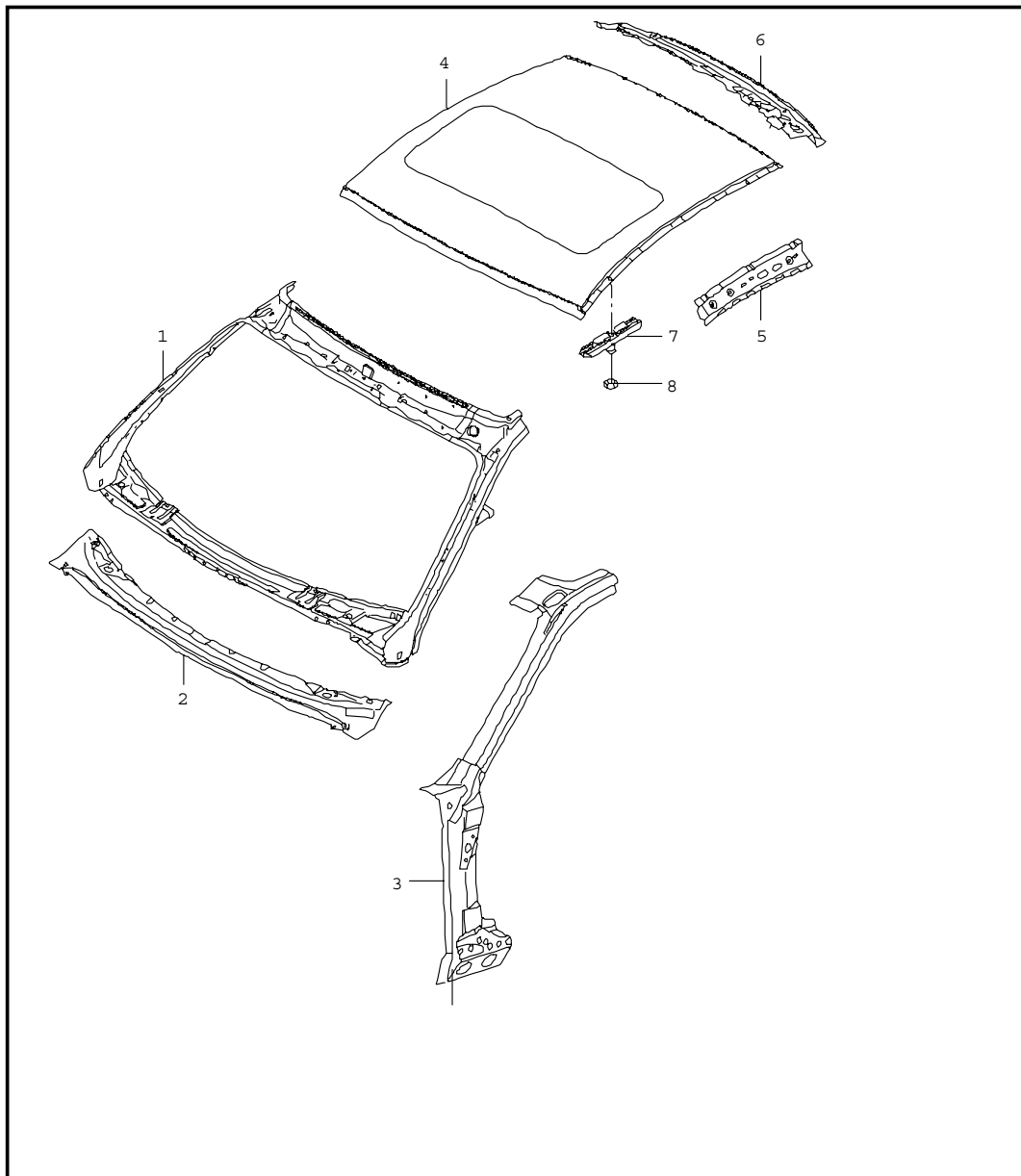


| Pos | Part Number | Name | Remarks | Qty | Model |
|------|----------------|---------------------------------|---------|-----|-------|
| 1 | 997 503 031 00 | wing | /L | 1 | |
| | GRV | prime coated | | | |
| (1) | 997 503 032 02 | wing | /R | 1 | |
| | GRV | prime coated | | | |
| 2 | 999 507 003 02 | speed nut ST 6,3 | | 22 | |
| 3 | 999 073 128 02 | tapping screw ST 6,3 X 14 | | 22 | |
| 4 | 997 504 134 00 | fuel filler flap | | 1 | |
| | GRV | prime coated | | | |
| 5 | 996 201 063 00 | hinge | | 1 | |
| 6 | 996 201 413 01 | spring | | 1 | |
| 7 | 996 201 423 00 | cap | | 1 | |
| 8 | 997 504 888 01 | rubber stop | | 1 | |
| 9 | 996 201 493 00 | emergency operation | | 1 | |
| 10 | 997 624 113 00 | actuator | | 1 | |
| 11 | 997 624 505 00 | guide rose | | 1 | |
| 12 | 997 201 667 00 | sleeve | | 1 | |
| 13 | 996 201 153 00 | hose | | 1 | |
| 14 | 997 504 641 02 | cover | /L | 1 | |
| | 01C | black | | | |
| (14) | 997 504 642 02 | cover | /R | 1 | |
| | 01C | black | | | |
| 15 | 999 591 712 40 | expansion rivet A 6,0 X 12,0 | | 6 | |
| 16 | 997 504 531 00 | protective film | /L | 1 | |
| (16) | 997 504 532 00 | protective film | /R | 1 | |
| 17 | 997 504 441 00 | strut | | 2 | |
| | GRV | prime coated | | | |
| 18 | 997 504 555 00 | bracket | | 2 | |

| | | | | | | | | | | | |
|-------|------|----|----|--------------|--------------|--------|------|------------|---------|-----|---------|
| Model | Year | MG | SG | Illustration | Restrictions | Update | 9:54 | 30.08.2006 | PORSCHE | PET | PORSCHE |
| 997t | 07 | 8 | 01 | 801-40 | | 203 | | | | | |

| Pos | Part Number | Name | Remarks | Qty | Model | Pos | Part Number | Name | Remarks | Qty | Model |
|-----|----------------|---|---------|-----|-------|-----|-------------|------|---------|-----|-------|
| 19 | 999 076 066 09 | GRV prime coated hexagon nut M 6 - - - E N D - - - | | 10 | | | | | | | |

| | | | | | | | | | | | |
|-------|------|----|----|--------------|--------------|--------|------|------------|---------|-----|---------|
| Model | Year | MG | SG | Illustration | Restrictions | Update | 9:54 | 30.08.2006 | PORSCHE | PET | PORSCHE |
| 997t | 07 | 8 | 01 | 801-45 | | 203 | | | | | |

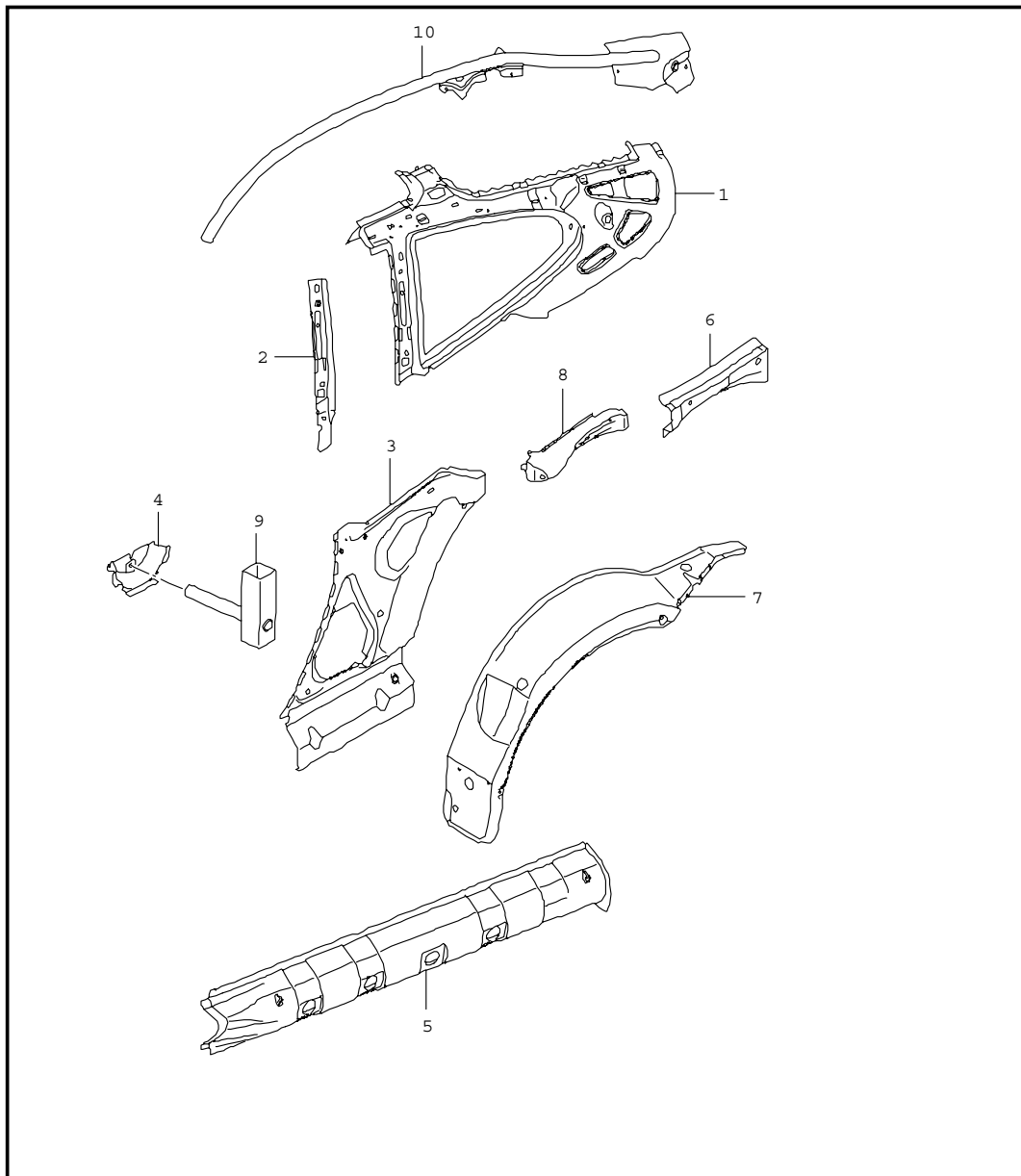


| Pos | Part Number | Name | Remarks | Qty | Model |
|-----|----------------|--|---------|-----|----------|
| 1 | 997 502 137 00 | cowl | | 1 | |
| | GRV | prime coated inner | | | |
| 2 | 997 502 437 00 | cowl | | 1 | |
| | GRV | prime coated outer | | | |
| 3 | 997 502 135 00 | reinforcement | /L | 1 | |
| | GRV | prime coated inner | | | |
| | | use also: | | | |
| (3) | 997 502 136 00 | reinforcement | /R | 1 | |
| | GRV | prime coated inner | | | |
| | | use also: | | | |
| - | 000 043 206 29 | adhesive set body comprising: | | X | |
| - | 000 043 206 30 | adhesive | | 1 | |
| - | 000 043 206 31 | tool | | 1 | |
| - | 000 043 206 32 | tool | | 1 | |
| - | 000 043 206 33 | activator | | 1 | |
| (4) | 996 503 501 00 | outer roof panel | | 1 | |
| | GRV | prime coated | | | |
| (4) | 997 503 501 00 | outer roof panel | | 1 | I461 |
| | GRV | prime coated | | | |
| 4 | 996 503 087 03 | outer roof panel | | 1 | I650 |
| | GRV | prime coated | | | |
| (4) | 997 503 087 00 | outer roof panel | | 1 | I650/461 |
| | GRV | prime coated | | | |
| | | use also: | | | |
| - | 000 043 204 38 | sealing material 70 ML | | X | |
| | | processing instructions see technical manual | | | |

| | | | | | | | | | | | |
|-------|------|----|----|--------------|--------------|--------|------|------------|---------|-----|---------|
| Model | Year | MG | SG | Illustration | Restrictions | Update | 9:54 | 30.08.2006 | PORSCHE | PET | PORSCHE |
| 997t | 07 | 8 | 01 | 801-45 | | 203 | | | | | |

| Pos | Part Number | Name | Remarks | Qty | Model | Pos | Part Number | Name | Remarks | Qty | Model |
|-----|----------------|-------------------------------|---------|-----|-------|-----|-------------|------|---------|-----|-------|
| 5 | 996 502 305 03 | roof frame | /L | 1 | | | | | | | |
| | GRV | prime coated | | | | | | | | | |
| (5) | 996 502 306 03 | roof frame | /R | 1 | | | | | | | |
| | GRV | prime coated | | | | | | | | | |
| 6 | 997 502 505 00 | roof frame | | 1 | | | | | | | |
| | GRV | prime coated | | | | | | | | | |
| 7 | 996 504 911 00 | plate with threaded pin | | X | | | | | | | |
| 8 | 900 377 021 02 | hexagon nut M10 X 1 | | X | | | | | | | |
| | | - - - E N D - - - | | | | | | | | | |

| | | | | | | | | | | | |
|-------|------|----|----|--------------|--------------|--------|------|------------|---------|-----|---------|
| Model | Year | MG | SG | Illustration | Restrictions | Update | 9:54 | 30.08.2006 | PORSCHE | PET | PORSCHE |
| 997t | 07 | 8 | 01 | 801-50 | | 203 | | | | | |

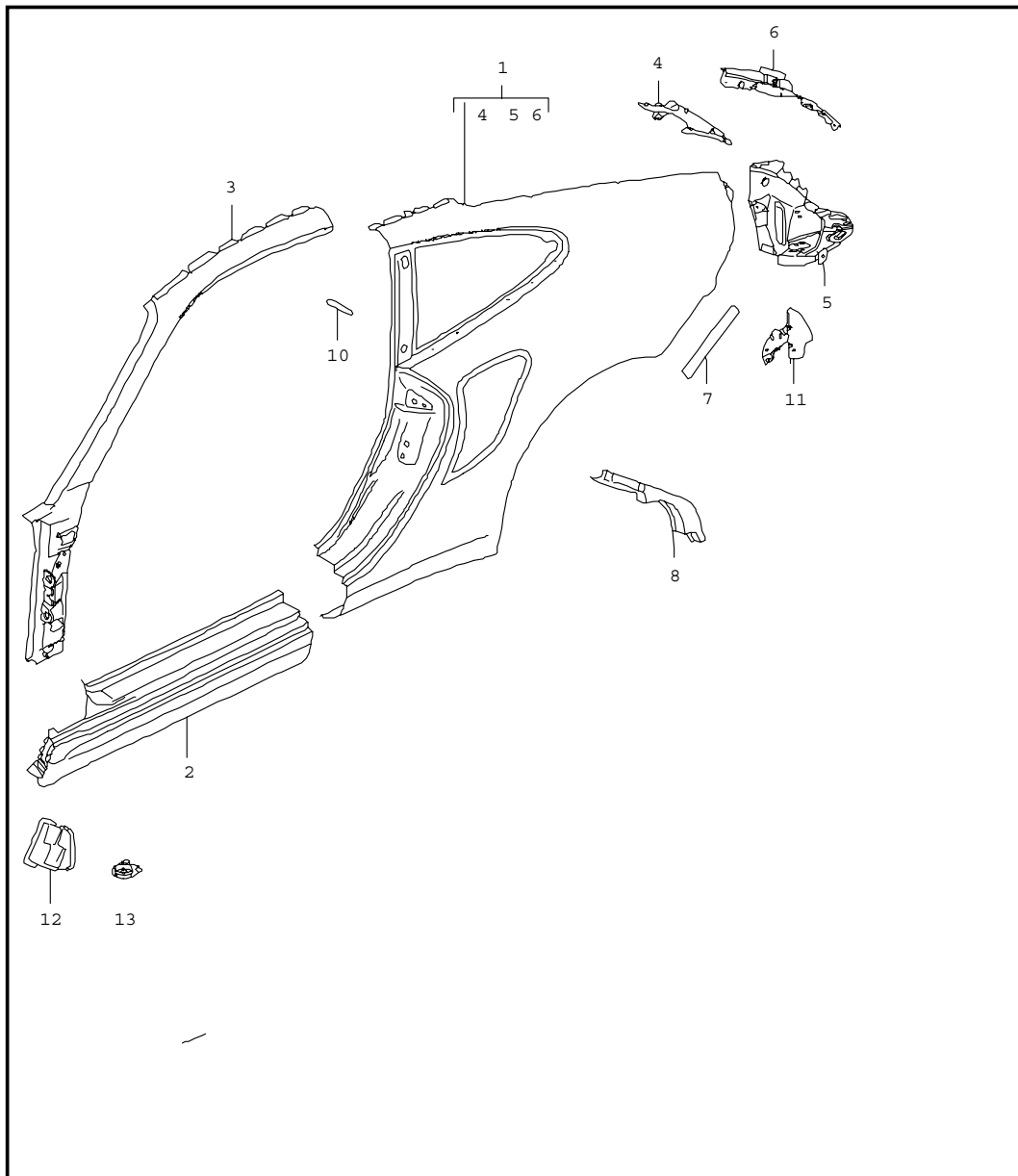


| Pos | Part Number | Name | Remarks | Qty | Model |
|-----|----------------|-------------------------------------|---------|-----|-------|
| | | side section inner | | | |
| 1 | 997 502 153 00 | side section | /L | 1 | |
| | GRV | prime coated | | | |
| (1) | 997 502 154 00 | side section | /R | 1 | |
| | GRV | prime coated | | | |
| 2 | 997 502 423 00 | reinforcement | /L | 1 | |
| | GRV | prime coated | | | |
| (2) | 997 502 424 00 | reinforcement | /R | 1 | |
| | GRV | prime coated | | | |
| 3 | 996 502 083 02 | side section | /L | 1 | |
| | GRV | prime coated | | | |
| (3) | 996 502 084 02 | side section | /R | 1 | |
| | GRV | prime coated | | | |
| 4 | 996 502 383 01 | bracket | | 2 | |
| | GRV | prime coated | | | |
| 5 | 996 502 733 01 | reinforcement | /L | 1 | |
| | GRV | prime coated use also: | | | |
| (5) | 996 502 734 01 | reinforcement | /R | 1 | |
| | GRV | prime coated use also: | | | |
| - | 000 043 206 29 | adhesive set body comprising: | | X | |
| - | 000 043 206 30 | adhesive | | 1 | |
| - | 000 043 206 31 | tool | | 1 | |
| - | 000 043 206 32 | tool | | 1 | |
| - | 000 043 206 33 | activator | | 1 | |
| 6 | 997 502 115 00 | side section | /L | 1 | |
| | GRV | prime coated | | | |
| (6) | 997 502 116 00 | side section | /R | 1 | |

| | | | | | | | | | | | |
|-------|------|----|----|--------------|--------------|--------|------|------------|---------|-----|---------|
| Model | Year | MG | SG | Illustration | Restrictions | Update | 9:54 | 30.08.2006 | PORSCHE | PET | PORSCHE |
| 997t | 07 | 8 | 01 | 801-50 | | 203 | | | | | |

| Pos | Part Number | Name | Remarks | Qty | Model | Pos | Part Number | Name | Remarks | Qty | Model |
|------|----------------|-------------------|---------|-----|-------|-----|-------------|------|---------|-----|-------|
| | | GRV prime coated | | | | | | | | | |
| 7 | 997 502 215 02 | wheel housing | /L | 1 | | | | | | | |
| | | GRV prime coated | | | | | | | | | |
| (7) | 997 502 216 02 | wheel housing | /R | 1 | | | | | | | |
| | | GRV prime coated | | | | | | | | | |
| 8 | 997 502 161 00 | side section | /L | 1 | | | | | | | |
| | | GRV prime coated | | | | | | | | | |
| (8) | 997 502 162 00 | side section | /R | 1 | | | | | | | |
| | | GRV prime coated | | | | | | | | | |
| 9 | 997 502 711 00 | pipe | | 2 | | | | | | | |
| | | GRV prime coated | | | | | | | | | |
| 10 | 997 502 619 00 | pipe | /L | 1 | | | | | | | |
| | | GRV prime coated | | | | | | | | | |
| (10) | 997 502 620 00 | pipe | /R | 1 | | | | | | | |
| | | GRV prime coated | | | | | | | | | |
| | | - - - E N D - - - | | | | | | | | | |

| | | | | | | | | | | | |
|-------|------|----|----|--------------|--------------|--------|------|------------|---------|-----|---------|
| Model | Year | MG | SG | Illustration | Restrictions | Update | 9:54 | 30.08.2006 | PORSCHE | PET | PORSCHE |
| 997t | 07 | 8 | 01 | 801-55 | | 203 | | | | | |

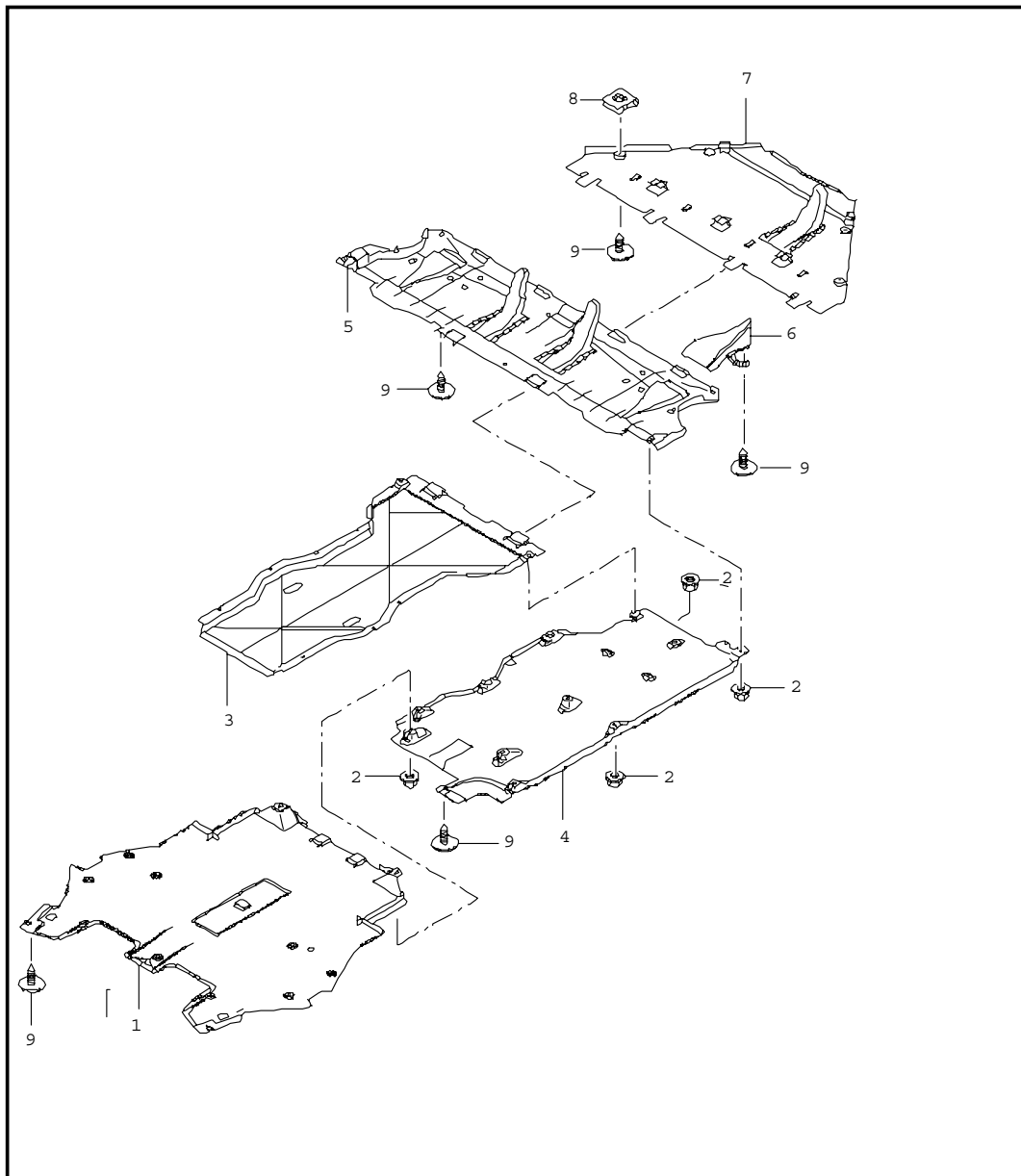


| Pos | Part Number | Name | Remarks | Qty | Model |
|-----|----------------|---|---------|-----|-------|
| | | side section outer | | | COUPE |
| 1 | 997 503 961 04 | side section | /L | 1 | |
| | GRV | prime coated | | | |
| (1) | 997 503 962 04 | side section | /R | 1 | |
| | GRV | prime coated | | | |
| | | use also: | | | |
| - | 999 915 650 40 | adhesive TEROMIX 6700 | | X | |
| - | 000 043 300 48 | tool see technical manual group 5 53 55 55 | | X | |
| 2 | 997 503 963 02 | door sill | /L | 1 | |
| | GRV | prime coated | | | |
| (2) | 997 503 964 02 | door sill | /R | 1 | |
| | GRV | prime coated | | | |
| 3 | 997 503 965 00 | roof frame | /L | 1 | |
| | GRV | prime coated | | | |
| (3) | 997 503 966 00 | roof frame | /R | 1 | |
| | GRV | prime coated | | | |
| 4 | 997 502 365 00 | sealing channel | /L | 1 | |
| | GRV | prime coated | | | |
| (4) | 997 502 366 00 | sealing channel | /R | 1 | |
| | GRV | prime coated | | | |
| 5 | 997 502 461 00 | frame for light | /L | 1 | |
| | GRV | prime coated | | | |
| (5) | 997 502 462 00 | frame for light | /R | 1 | |
| | GRV | prime coated | | | |
| 6 | 997 502 213 01 | bracket gas-filled strut | /L | 1 | |
| | GRV | prime coated | | | |

| | | | | | | | | | | | |
|-------|------|----|----|--------------|--------------|--------|------|------------|---------|-----|---------|
| Model | Year | MG | SG | Illustration | Restrictions | Update | 9:54 | 30.08.2006 | PORSCHE | PET | PORSCHE |
| 997t | 07 | 8 | 01 | 801-55 | | 203 | | | | | |

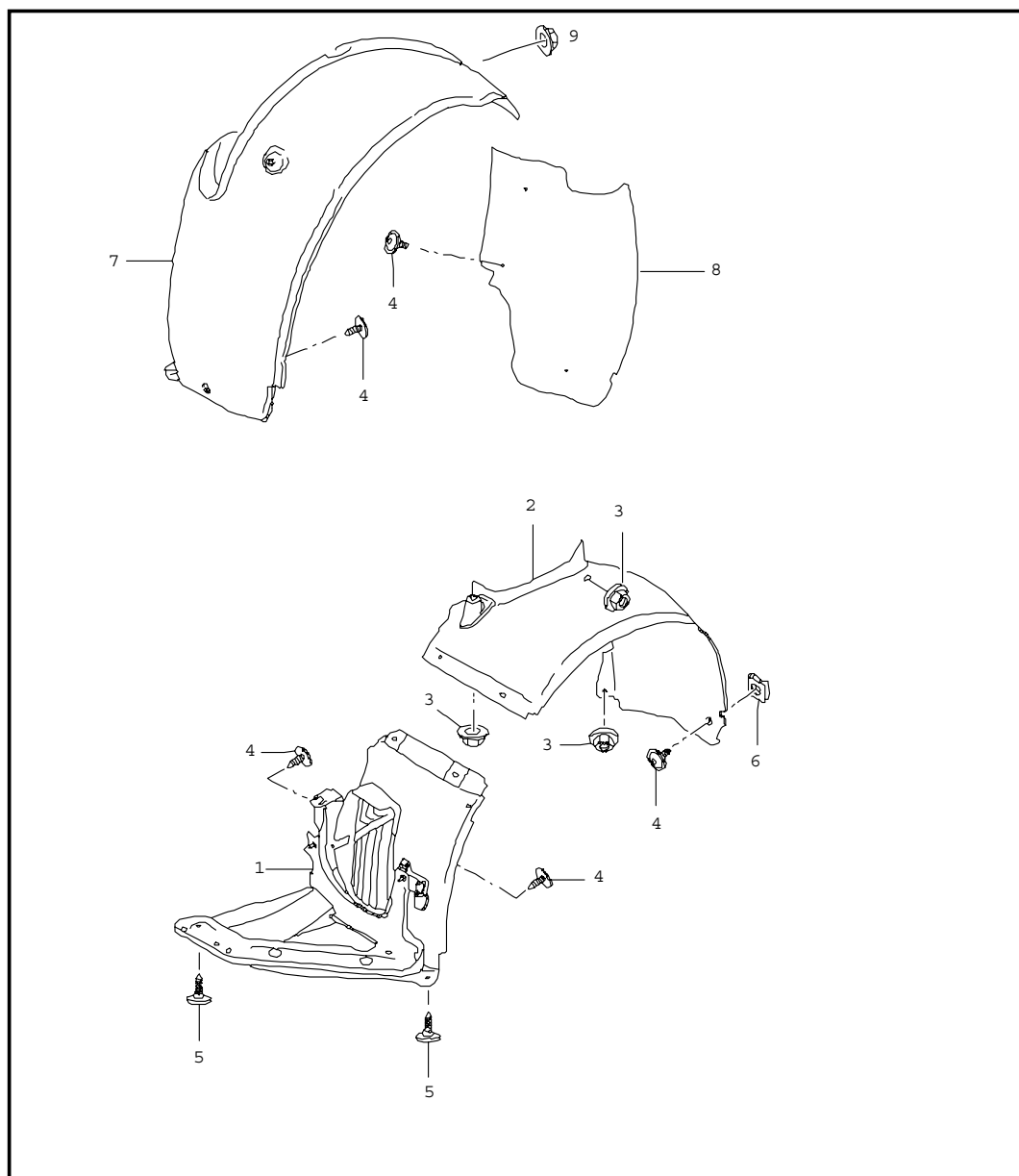
| Pos | Part Number | Name | Remarks | Qty | Model | Pos | Part Number | Name | Remarks | Qty | Model |
|------|----------------|-------------------------------------|---------|-----|-------|------|----------------|------------------------------|---------|-----|-------|
| (6) | 997 502 214 00 | bracket gas-filled strut | /R | 1 | | (15) | 997 575 560 00 | air duct inner front | /R | 1 | |
| | GRV | prime coated | | | | | 01C | satin black | | | |
| 7 | 997 504 631 00 | protective film | | 2 | | 16 | 999 507 836 09 | clamp 9,0 X 13,0/4,0 | | 10 | |
| 8 | 997 504 907 00 | seal see workshop manual | | 2 | | 17 | 999 073 155 09 | tapping screw ST 4,2 X 13 | | X | |
| 9 | 996 537 237 00 | protective film | | 2 | | 18 | 997 575 659 00 | air duct | /L | 1 | |
| 10 | 997 501 487 00 | reinforcement | /L | 1 | | (18) | 997 575 660 00 | air duct outer front | /R | 1 | |
| | GRV | prime coated use also: | | | | | | | | | |
| (10) | 997 501 488 00 | reinforcement | /R | 1 | | 19 | 999 074 060 09 | hexagon-head bolt M6 X 18 | | 20 | |
| | GRV | prime coated use also: | | | | 20 | 997 575 759 00 | air duct | /L | 1 | |
| - | 000 043 206 29 | adhesive set body comprising: | | X | | (20) | 997 575 760 00 | air duct rear upper | /R | 1 | |
| - | 000 043 206 30 | adhesive | | 1 | | 21 | 999 591 723 09 | speed nut ST 4,2 | | 7 | |
| - | 000 043 206 31 | tool | | 1 | | 22 | 997 575 859 00 | air duct | /L | 1 | |
| - | 000 043 206 32 | tool | | 1 | | (22) | 997 575 860 00 | air duct rear lower | /R | 1 | |
| - | 000 043 206 33 | activator | | 1 | | | | | | | |
| 11 | 997 572 311 01 | water protection | /L | 1 | | | | | | | |
| (11) | 997 572 312 01 | water protection | /R | 1 | | | | | | | |
| 12 | 999 703 475 40 | drain tube door sill | | 2 | | | | | | | |
| 13 | 997 504 361 01 | air inlet | /L | 1 | | | | | | | |
| | G2X | prime coated | | | | | | | | | |
| (13) | 997 504 362 01 | air inlet | /R | 1 | | | | | | | |
| | G2X | prime coated | | | | | | | | | |
| 14 | 999 507 835 09 | clamp 1,50 | | 4 | | | | | | | |
| 15 | 997 575 559 00 | air duct inner front | /L | 1 | | | | | | | |
| | 01C | satin black | | | | | | | | | |
| | | | | | | | | - - - E N D - - - | | | |

| | | | | | | | | | | | |
|-------|------|----|----|--------------|--------------|--------|------|------------|---------|-----|---------|
| Model | Year | MG | SG | Illustration | Restrictions | Update | 9:54 | 30.08.2006 | PORSCHE | PET | PORSCHE |
| 997t | 07 | 8 | 01 | 801-70 | | 203 | | | | | |



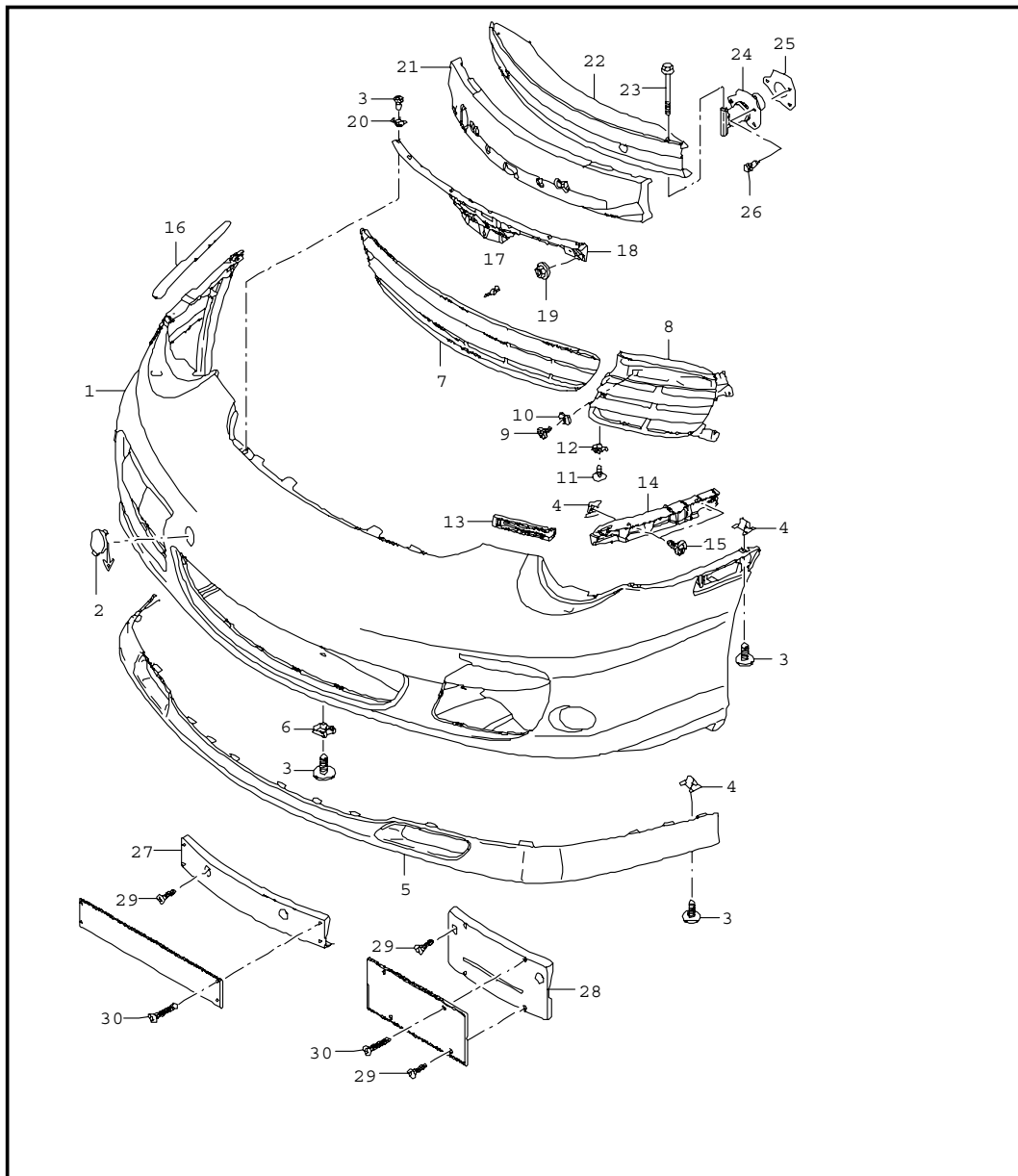
| Pos | Part Number | Name | Remarks | Qty | Model |
|-------------------|----------------|------------------------------|---------|-----|-------|
| | | linings underbody | | | |
| 1 | 997 504 527 01 | cover front | | 1 | |
| 2 | 999 049 028 40 | plastic nut T 5 | | 26 | |
| 3 | 997 504 043 00 | cover centre | | 1 | |
| 4 | 997 504 343 02 | cover | /L | 1 | |
| (4) | 997 504 344 02 | cover centre | /R | 1 | |
| 5 | 997 504 629 02 | cover | | 1 | I480 |
| (5) | 997 504 629 03 | cover rear | | 1 | I249 |
| 6 | 997 575 183 00 | air duct | /L | 1 | |
| (6) | 997 575 184 00 | air duct brake | /R | 1 | |
| 7 | 997 504 429 01 | cover transmission | | 1 | I480 |
| 8 | 999 507 795 09 | speed nut ST 4,8 | | 4 | |
| 9 | 999 073 231 09 | tapping screw ST 4,8 X 16 | | X | |
| - - - E N D - - - | | | | | |

| | | | | | | | | | | | |
|-------|------|----|----|--------------|--------------|--------|------|------------|---------|-----|---------|
| Model | Year | MG | SG | Illustration | Restrictions | Update | 9:55 | 30.08.2006 | PORSCHE | PET | PORSCHE |
| 997t | 07 | 8 | 01 | 801-75 | | 203 | | | | | |



| Pos | Part Number | Name | Remarks | Qty | Model |
|-------------------|----------------|------------------------------|---------|-----|-------|
| | | linings wheel housing | | | |
| 1 | 997 504 123 01 | wheel-housing liner front | /L/V | 1 | |
| (1) | 997 504 124 01 | wheel-housing liner front | /R/V | 1 | |
| 2 | 997 504 203 01 | wheel-housing liner | /L/H | 1 | |
| (2) | 997 504 204 01 | wheel-housing liner front | /R/H | 1 | |
| 3 | 999 049 028 40 | plastic nut T5 | | 12 | |
| 4 | 999 073 231 09 | tapping screw ST 4,8 X 16 | | 18 | |
| 5 | 999 073 227 09 | tapping screw ST 4,8 X 19 | | 4 | |
| 6 | 999 507 795 09 | speed nut ST 4,8 | | 2 | |
| 7 | 997 504 573 02 | wheel-housing liner | /L/V | 1 | |
| (7) | 997 504 574 02 | wheel-housing liner rear | /R/V | 1 | |
| 8 | 997 504 623 00 | wheel-housing liner | /L/H | 1 | |
| (8) | 997 504 624 00 | wheel-housing liner rear | /R/H | 1 | |
| 9 | 999 049 007 40 | plastic nut T5/2 X 10,5 | | 12 | |
| - - - E N D - - - | | | | | |

| | | | | | | | | | | | |
|-------|------|----|----|--------------|--------------|--------|------|------------|---------|-----|---------|
| Model | Year | MG | SG | Illustration | Restrictions | Update | 9:55 | 30.08.2006 | PORSCHE | PET | PORSCHE |
| 997t | 07 | 8 | 02 | 802-00 | | 203 | | | | | |

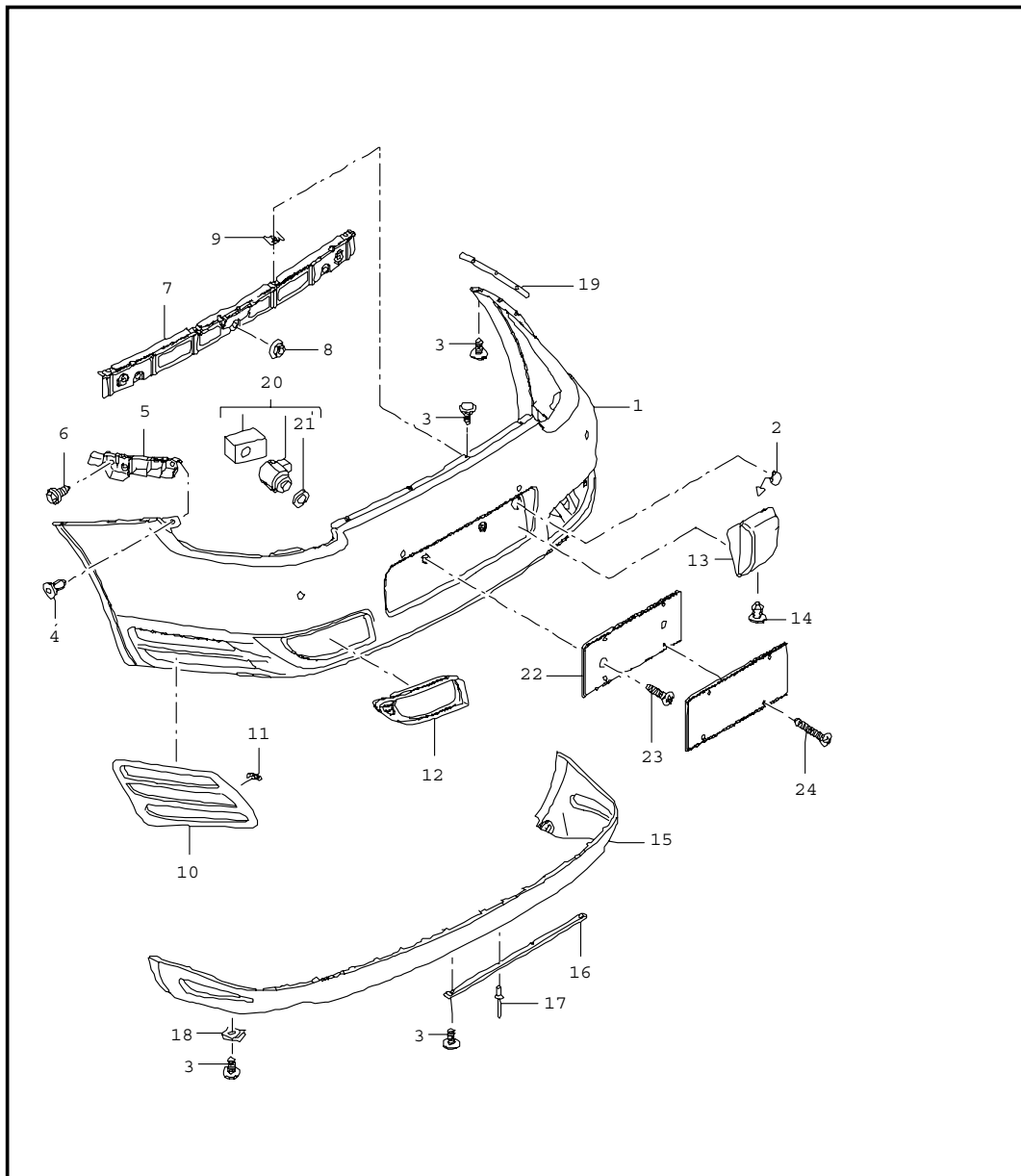


| Pos | Part Number | Name | Remarks | Qty | Model |
|------|----------------|---------------------------|---------|-----|-------|
| 1 | 997 505 191 04 | bumper front | | 1 | I288 |
| | | lining prime coated | | | |
| 2 | 997 505 703 01 | cover | | 1 | |
| | | G2X prime coated | | | |
| 3 | 999 073 227 09 | tapping screw ST 4,8 X 16 | | 10 | |
| 4 | 999 507 590 02 | captive nut ST 4,8 | | 10 | |
| 5 | 997 505 557 01 | spoiler | | 1 | |
| | | 01C satin black | | | |
| 6 | 999 591 699 02 | speed nut ST 4,8 | | 1 | |
| 7 | 997 505 541 02 | retaining frame centre | | 1 | |
| | | 01C satin black | | | |
| 8 | 997 505 563 01 | retaining frame lateral | /L | 1 | |
| | | 01C satin black | | | |
| (8) | 997 505 564 01 | retaining frame lateral | /R | 1 | |
| | | 01C satin black | | | |
| 9 | 999 073 080 02 | tapping screw ST 4,2 X 16 | | 4 | |
| 10 | 999 507 768 02 | speed nut ST 4,2 | | 4 | |
| 11 | 999 073 231 09 | tapping screw ST 4,8 X 16 | | 2 | |
| 12 | 999 507 795 09 | speed nut ST 4,8 | | 2 | |
| 13 | 997 505 719 00 | fixing device | | 2 | |
| 14 | 997 505 535 01 | retaining strip lateral | /L | 1 | |
| (14) | 997 505 536 01 | retaining strip lateral | /R | 1 | |

| | | | | | | | | | | | |
|-------|------|----|----|--------------|--------------|--------|------|------------|---------|-----|---------|
| Model | Year | MG | SG | Illustration | Restrictions | Update | 9:55 | 30.08.2006 | PORSCHE | PET | PORSCHE |
| 997t | 07 | 8 | 02 | 802-00 | | 203 | | | | | |

| Pos | Part Number | Name | Remarks | Qty | Model | Pos | Part Number | Name | Remarks | Qty | Model |
|------|----------------|---------------------------------|---------|-----|--------------|-----|-------------|------|---------|-----|-------|
| 15 | 999 073 314 09 | tapping screw ST 4,8 X 16 | | 4 | | | | | | | |
| (16) | 997 504 531 00 | protective film | /L | 1 | | | | | | | |
| 16 | 997 504 532 00 | protective film | /R | 1 | | | | | | | |
| 17 | 996 641 142 00 | temperature sensor | | 1 | | | | | | | |
| 18 | 997 505 531 00 | retaining strip centre | | 1 | | | | | | | |
| 19 | 999 076 048 02 | hexagon nut M6 | | 3 | | | | | | | |
| 20 | 999 507 849 01 | captive nut ST 4,8 | | 3 | | | | | | | |
| 21 | 997 505 777 00 | insert | | 1 | | | | | | | |
| 22 | 997 505 141 00 | bumper reinforcement | | 1 | | | | | | | |
| 23 | 900 378 088 09 | hexagon-head bolt M 12 X 100 | | 2 | | | | | | | |
| 24 | 997 505 319 00 | impact absorber | | 2 | | | | | | | |
| 25 | 997 505 751 02 | seal impact absorber | | 2 | | | | | | | |
| 26 | 900 378 267 09 | screw M 8 X 30 | | 6 | | | | | | | |
| 27 | 997 701 105 01 | support number plate | | 1 | I211 | | | | | | |
| | 01C | black | | | | | | | | | |
| (27) | 997 701 109 01 | support number plate | | 1 | I210 | | | | | | |
| | 01C | black | | | | | | | | | |
| 29 | 999 919 227 A2 | screw 5,0 X 13 | | 2 | I210/211/218 | | | | | | |
| 30 | 999 919 228 A2 | screw 5,0 x 28 | | 2 | I210/211/218 | | | | | | |
| | | - - - E N D - - - | | | | | | | | | |

| | | | | | | | | | | | |
|-------|------|----|----|--------------|--------------|--------|------|------------|---------|-----|---------|
| Model | Year | MG | SG | Illustration | Restrictions | Update | 9:55 | 30.08.2006 | PORSCHE | PET | PORSCHE |
| 997t | 07 | 8 | 02 | 802-05 | | 203 | | | | | |

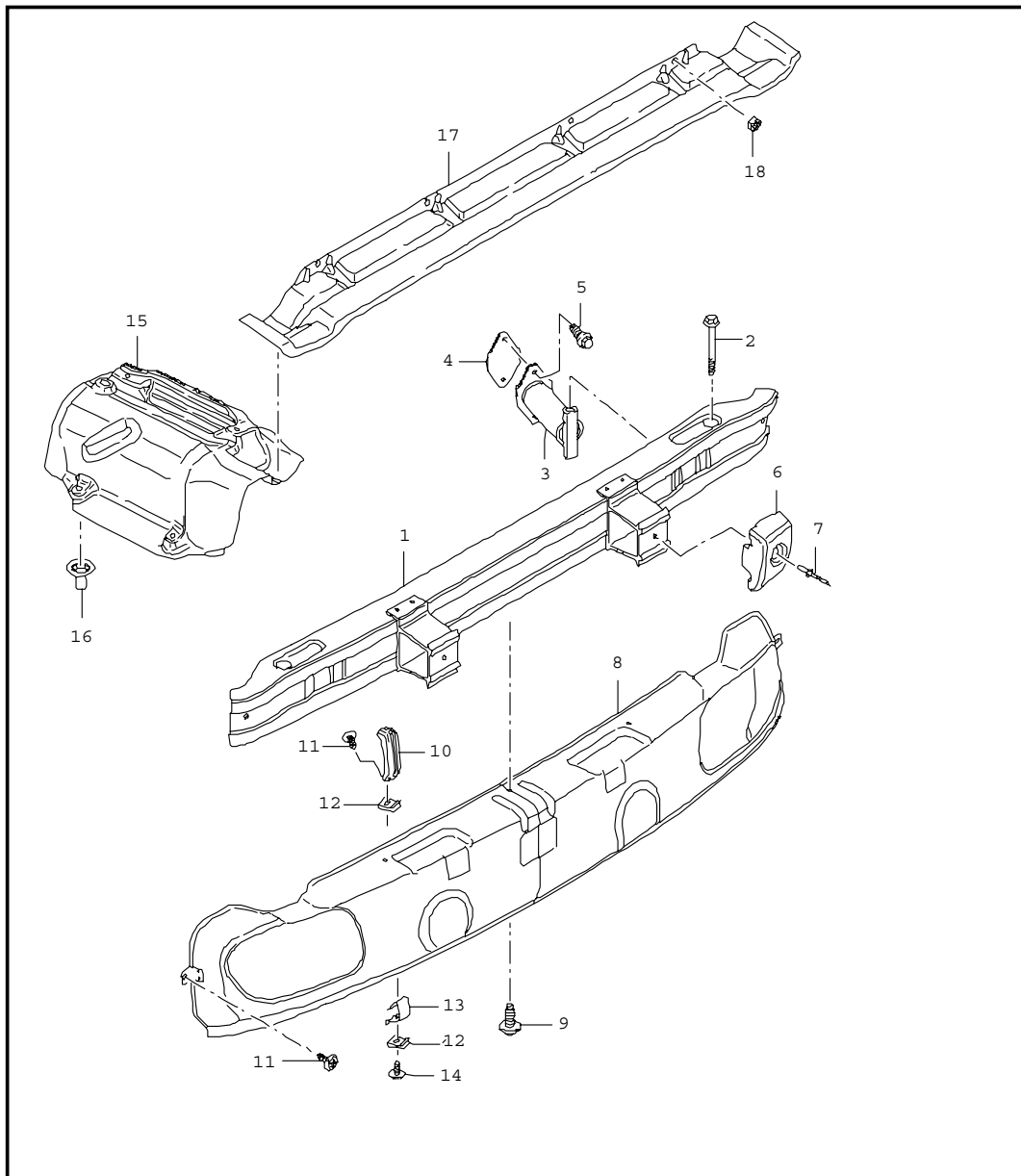


| Pos | Part Number | Name | Remarks | Qty | Model |
|------|----------------|-------------------------|---------|-----|-------|
| | | lining bumper rear | | | |
| 1 | 997 505 411 16 | lining | | 1 | |
| 1 | 997 505 411 17 | lining prime coated | | 1 | I635 |
| 2 | 997 505 803 00 | cover towing lug | | 1 | |
| | | G2X prime coated | | | |
| 3 | 999 073 227 09 | tapping screw 4,8 X 16 | | 10 | |
| 4 | 999 591 941 40 | expansion rivet ST 4,8 | | 2 | |
| 5 | 997 505 635 00 | retaining strip | /L | 1 | |
| (5) | 997 505 636 00 | retaining strip lateral | /R | 1 | |
| 6 | 900 075 459 09 | screw M6 X 12 | | 4 | |
| 7 | 997 505 641 02 | attachment strip centre | | 1 | |
| 8 | 999 076 078 09 | hexagon nut M6 | | 3 | |
| 9 | 999 507 590 02 | captive nut ST 4,8 | | 6 | |
| 10 | 997 505 663 00 | frame air exhaust | /L | 1 | |
| | | 01C black | | | |
| (10) | 997 505 664 00 | frame air exhaust | /R | 1 | |
| | | 01C black | | | |
| 11 | 999 507 696 00 | u-clamp 1,20 - 1,70 | | 10 | |
| 12 | 997 505 651 00 | cover exhaust pipe | /L | 1 | |
| | | 01C black | | | |
| (12) | 997 505 652 00 | cover exhaust pipe | /R | 1 | |

| | | | | | | | | | | | |
|-------|------|----|----|--------------|--------------|--------|------|------------|---------|-----|---------|
| Model | Year | MG | SG | Illustration | Restrictions | Update | 9:55 | 30.08.2006 | PORSCHE | PET | PORSCHE |
| 997t | 07 | 8 | 02 | 802-05 | | 203 | | | | | |

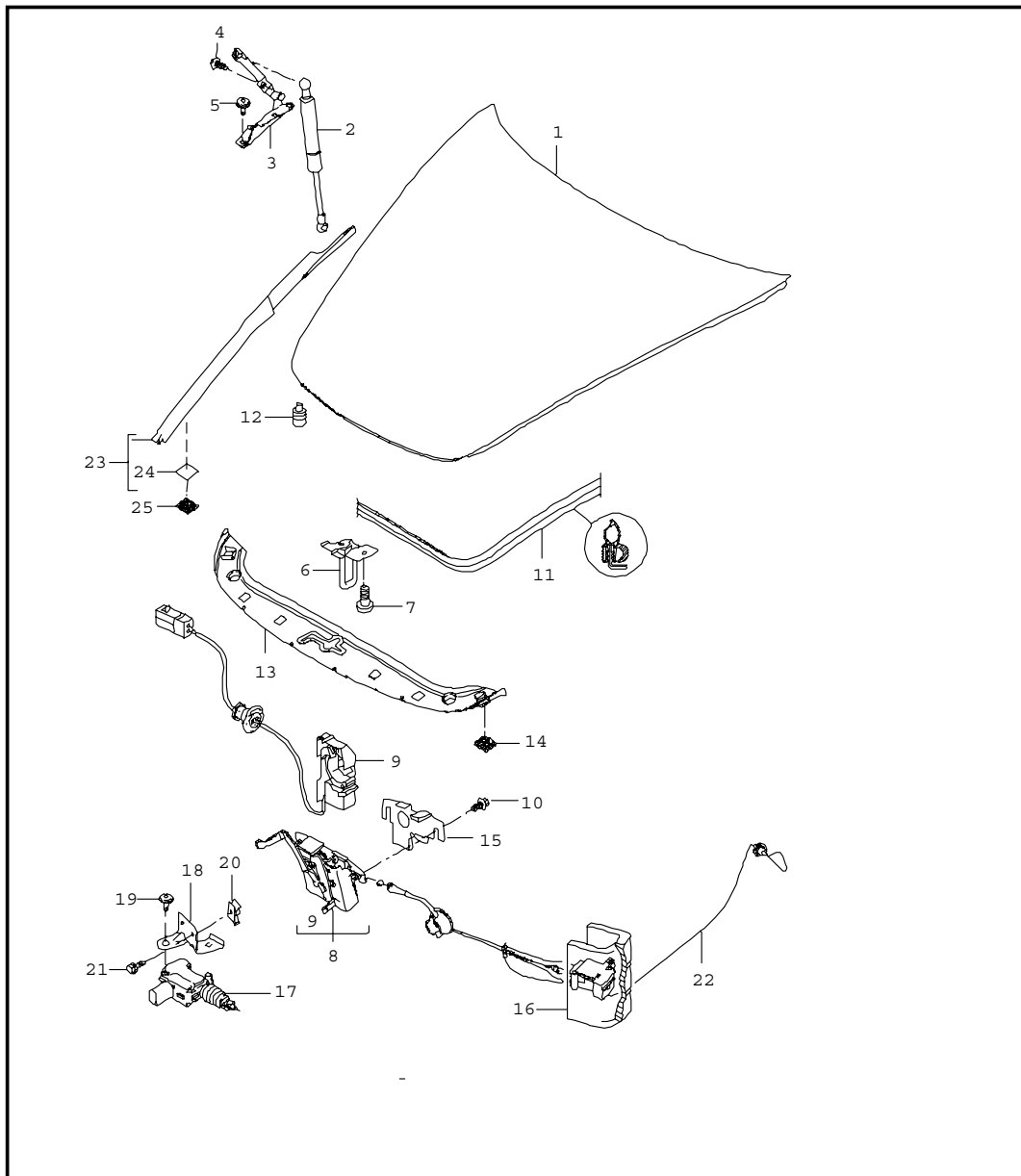
| Pos | Part Number | Name | Remarks | Qty | Model | Pos | Part Number | Name | Remarks | Qty | Model |
|-----|----------------|---------------------------------|---------|-----|-------|-----|-------------|------|---------|-----|-------|
| | 01C | black | | | | | | | | | |
| 15 | 997 505 511 00 | lining lower | | 1 | | | | | | | |
| | 01C | black | | | | | | | | | |
| 16 | 997 505 837 01 | retaining strip lower | | 1 | | | | | | | |
| 17 | 999 190 104 30 | blind rivet A 3,2 X 7,9 | | 2 | | | | | | | |
| 18 | 999 507 795 09 | speed nut ST 4,8 | | 6 | | | | | | | |
| 19 | 997 504 631 00 | protective film | | 2 | | | | | | | |
| 20 | 955 606 275 01 | sensor park distance control | | 4 | I635 | | | | | | |
| 21 | 7L6 919 659 | round seal | | 4 | I635 | | | | | | |
| | | - - - E N D - - - | | | | | | | | | |

| | | | | | | | | | | | |
|-------|------|----|----|--------------|--------------|--------|------|------------|---------|-----|---------|
| Model | Year | MG | SG | Illustration | Restrictions | Update | 9:55 | 30.08.2006 | PORSCHE | PET | PORSCHE |
| 997t | 07 | 8 | 02 | 802-07 | | 203 | | | | | |



| Pos | Part Number | Name | Remarks | Qty | Model |
|-------------------|----------------|-----------------------------------|---------|-----|-------|
| | | bumper heat protection rear | | | |
| (1) | 997 505 121 02 | bumper reinforcement | | 1 | |
| 2 | 900 378 088 09 | hexagon-head bolt M 12 X 100 | | 2 | |
| 3 | 996 505 019 01 | impact pipe | | 2 | |
| 4 | 996 505 775 00 | desk pad | | 2 | |
| 5 | 900 378 267 09 | screw M 8 X 30 | | 4 | |
| 7 | 999 190 312 30 | rivet 4,8 X 24,8 | | 2 | |
| 8 | 997 505 475 01 | heat protection centre | | 1 | |
| 9 | 999 075 056 09 | screw M6 X 22 | | 3 | |
| 10 | 997 505 639 01 | rear support | | 2 | |
| 11 | 999 073 314 09 | tapping screw ST 4,8 X 16 | | 2 | |
| 12 | 999 507 795 09 | speed nut ST 4,8 | | 4 | |
| 13 | 997 505 649 00 | filler plate | | 2 | |
| 14 | 999 073 227 09 | tapping screw ST 4,8 X 19 | | 2 | |
| 15 | 997 505 477 01 | heat protection | /L | 1 | |
| (15) | 997 505 478 01 | heat protection lateral | /R | 1 | |
| 16 | 999 049 025 09 | collar nut T5 | | 8 | |
| 17 | 996 505 471 00 | heat protection upper | | 1 | |
| 18 | 999 049 029 01 | hexagon nut T5 | | 4 | |
| - - - E N D - - - | | | | | |

| | | | | | | | | | | | |
|-------|------|----|----|--------------|--------------|--------|------|------------|---------|-----|---------|
| Model | Year | MG | SG | Illustration | Restrictions | Update | 9:56 | 30.08.2006 | PORSCHE | PET | PORSCHE |
| 997t | 07 | 8 | 03 | 803-00 | | 203 | | | | | |

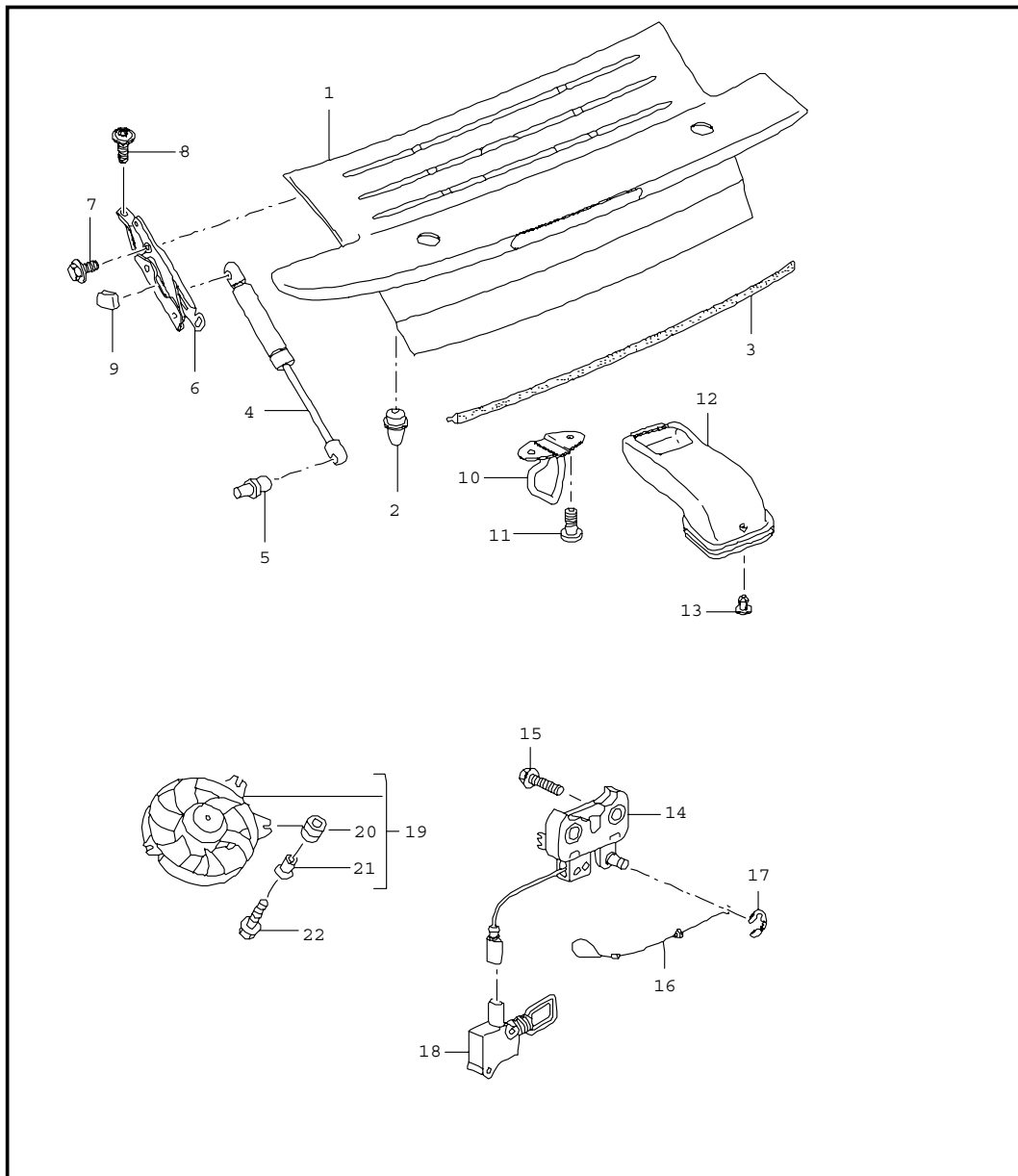


| Pos | Part Number | Name | Remarks | Qty | Model |
|------|------------------|-------------------------------------|---------|-----|-------|
| 1 | 997 511 011 00 | cover front | | 1 | |
| | | GRV prime coated | | | |
| 2 | 997 511 551 01 | gas-filled strut | | 2 | |
| 3 | 997 511 151 01 | hinge | /L | 1 | |
| (3) | 997 511 152 01 | hinge | /R | 1 | |
| 4 | 999 073 357 09 | oval-head screw M 6 X 12 | | 4 | |
| 5 | 999 073 348 09 | oval-head screw M 6 X 20 | | 4 | |
| 6 | 997 511 051 00 | lock upper part | | 1 | |
| 7 | P 999 073 378 02 | round head screw M 6 X 20 | | 2 | |
| 8 | 997 511 053 00 | lock lower part | | 1 | |
| 9 | 997 613 206 00 | microswitch | | 1 | |
| 10 | 900 075 466 09 | screw M 6 X 16 | | 2 | |
| 11 | 997 511 611 00 | gasket | | 1 | |
| 12 | 999 703 140 41 | rubber buffer | | 2 | |
| 13 | 997 504 811 03 | trim | | 1 | |
| | | FMT satin black | | | |
| 14 | 999 902 049 40 | velcro fastener | | 4 | |
| 15 | 996 511 653 00 | cover | | 1 | |
| 16 | 997 511 117 00 | actuator | | 1 | |
| (23) | 997 572 465 02 | trim wing | /L | 1 | |
| | | 02A black | | | |
| 23 | 997 572 466 02 | trim wing | /R | 1 | |
| | | 02A black | | | |
| 24 | 999 902 052 40 | velcro fastener cover 20 X 20 | | 4 | |

| | | | | | | | | | | | |
|-------|------|----|----|--------------|--------------|--------|------|------------|---------|-----|---------|
| Model | Year | MG | SG | Illustration | Restrictions | Update | 9:56 | 30.08.2006 | PORSCHE | PET | PORSCHE |
| 997t | 07 | 8 | 03 | 803-00 | | 203 | | | | | |

| Pos | Part Number | Name | Remarks | Qty | Model | Pos | Part Number | Name | Remarks | Qty | Model |
|-----|----------------|---|---------|-----|-------|-----|-------------|------|---------|-----|-------|
| 25 | 999 902 051 40 | velcro fastener wing 20 X 20 - - - E N D - - - | | 4 | | | | | | | |

| | | | | | | | | | | | |
|-------|------|----|----|--------------|--------------|--------|------|------------|---------|-----|---------|
| Model | Year | MG | SG | Illustration | Restrictions | Update | 9:56 | 30.08.2006 | PORSCHE | PET | PORSCHE |
| 997t | 07 | 8 | 03 | 803-05 | | 203 | | | | | |

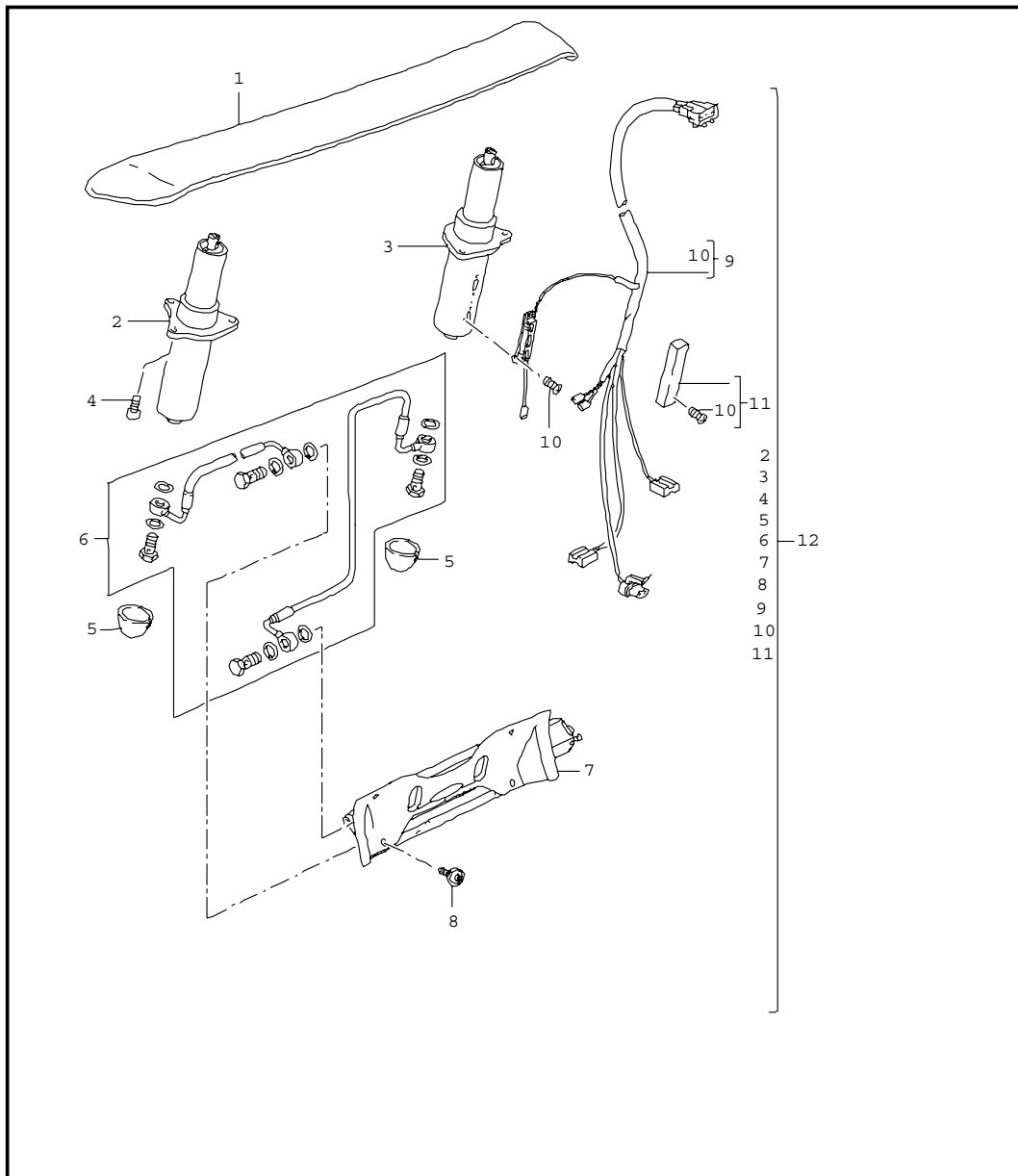


| Pos | Part Number | Name | Remarks | Qty | Model |
|------|----------------|--|---------|-----|-------|
| | | cover rear | | | |
| 1 | 997 512 921 00 | cover prime coated use also: | | 1 | |
| - | 000 043 204 38 | sealing material | | 1 | |
| 2 | 996 512 987 00 | adjusting screw cover | | 2 | |
| 3 | 997 512 611 01 | gasket | | 1 | |
| 4 | 996 512 551 03 | gas-filled strut | | 2 | |
| 5 | 999 167 051 02 | ball pin | | 2 | |
| 6 | 997 512 151 03 | hinge | /L | 1 | |
| (6) | 997 512 152 01 | hinge | /R | 1 | |
| 7 | 900 378 214 01 | hexagon-head bolt M 6 X 18 | | 4 | |
| 8 | 900 075 466 09 | screw M 6 X 16 | | 6 | |
| 9 | 996 512 153 00 | stop hinge | | 2 | |
| 10 | 997 512 213 01 | lock upper part | | 1 | |
| 11 | 900 378 214 01 | hexagon-head bolt M 6 X 18 | | 2 | |
| (12) | 997 110 171 00 | intake manifold air cleaner | /L | 1 | |
| 12 | 997 110 172 00 | intake manifold air cleaner | /R | 1 | |
| 13 | 999 591 712 40 | expansion rivet intake manifold 6,0 X 12,0 | | 2 | |
| 14 | 997 512 053 00 | lock lower part | | 1 | |
| 15 | N 910 664 01 | screw M 6 X 40 | | 2 | |
| 16 | 997 512 521 00 | cable emergency operation | | 1 | |
| 17 | 900 116 002 02 | lock washer | | 1 | |
| 18 | 997 624 118 00 | actuator | | 1 | |

| | | | | | | | | | | | |
|-------|------|----|----|--------------|--------------|--------|------|------------|---------|-----|---------|
| Model | Year | MG | SG | Illustration | Restrictions | Update | 9:56 | 30.08.2006 | PORSCHE | PET | PORSCHE |
| 997t | 07 | 8 | 03 | 803-05 | | 203 | | | | | |

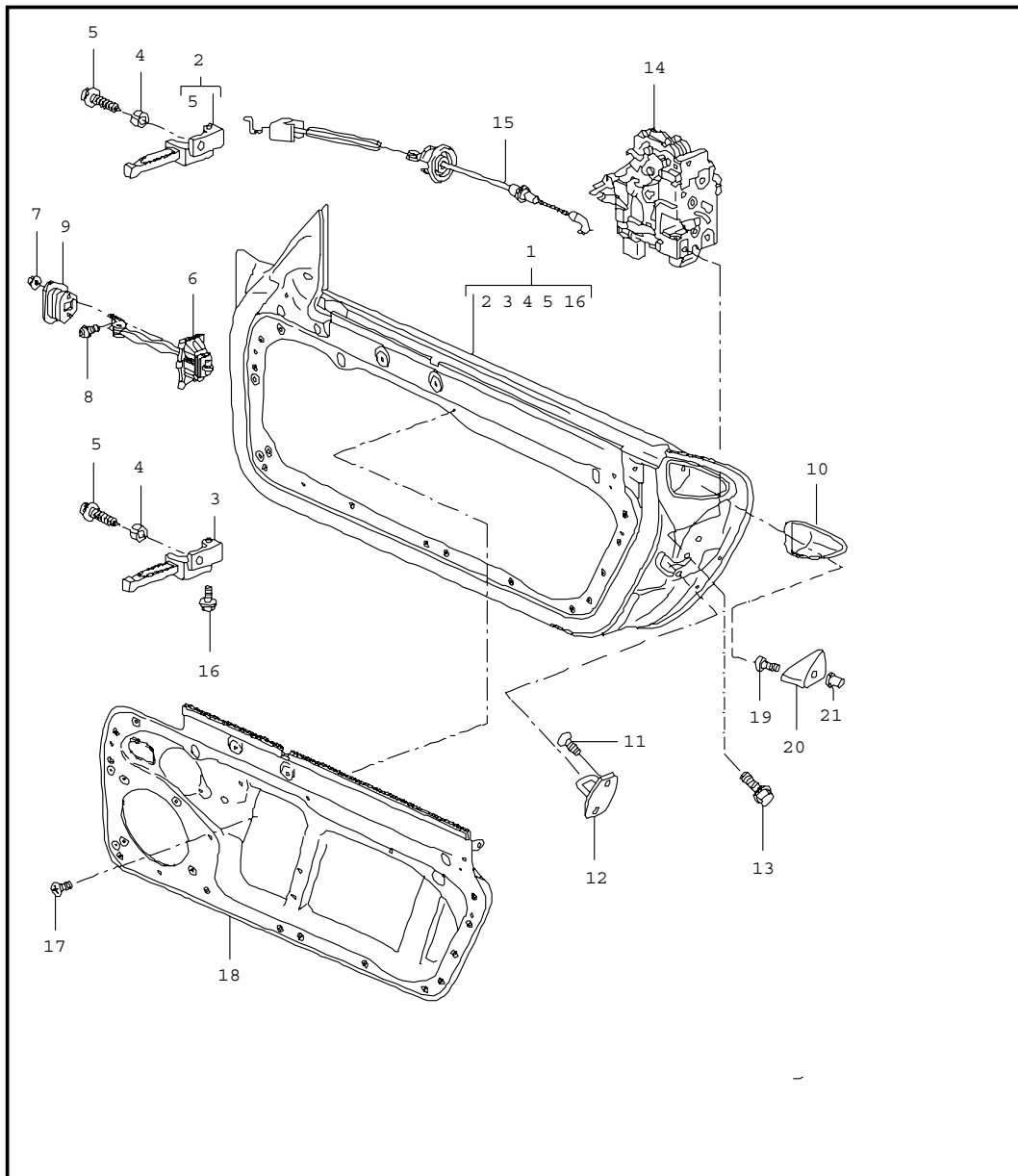
| Pos | Part Number | Name | Remarks | Qty | Model | Pos | Part Number | Name | Remarks | Qty | Model |
|-----|----------------|-----------------------------------|---------|-----|-------|-----|-------------|------|---------|-----|-------|
| 19 | 997 624 056 01 | blower engine compartment | | 1 | | | | | | | |
| 20 | 999 703 451 40 | rubber sleeve 9,0 X 14,0 X 1,5 | | 3 | | | | | | | |
| 21 | 999 209 049 02 | spacer sleeve 7,0 X 1,0 X 12 | | 3 | | | | | | | |
| 22 | 999 073 417 01 | oval-head screw M6 X 30 | | 4 | | | | | | | |
| | | - - - E N D - - - | | | | | | | | | |

| | | | | | | | | | | | |
|-------|------|----|----|--------------|--------------|--------|------|------------|---------|-----|---------|
| Model | Year | MG | SG | Illustration | Restrictions | Update | 9:56 | 30.08.2006 | PORSCHE | PET | PORSCHE |
| 997t | 07 | 8 | 03 | 803-07 | | 203 | | | | | |



| Pos | Part Number | Name | Remarks | Qty | Model |
|-----|----------------|-------------------------------|---------|-----|-------|
| | | rear spoiler | | | |
| 1 | 997 512 901 00 | rear spoiler prime coated | | 1 | |
| 2 | 997 512 565 00 | hinge | /L | 1 | |
| 3 | 997 512 566 00 | hinge | /R | 1 | |
| 4 | 900 387 003 09 | screw M6 X 25 | | 6 | |
| 5 | 996 512 617 00 | cap hinge set | | 1 | |
| 7 | 997 512 943 00 | pump with support | | 1 | |
| 8 | 999 073 152 09 | oval-head screw M6 X 18 | | 4 | |
| 12 | 997 512 111 00 | driving mechanism complete | | 1 | |
| | | - - - E N D - - - | | | |

| | | | | | | | | | | | |
|-------|------|----|----|--------------|--------------|--------|------|------------|---------|-----|---------|
| Model | Year | MG | SG | Illustration | Restrictions | Update | 9:56 | 30.08.2006 | PORSCHE | PET | PORSCHE |
| 997t | 07 | 8 | 04 | 804-00 | | 203 | | | | | |

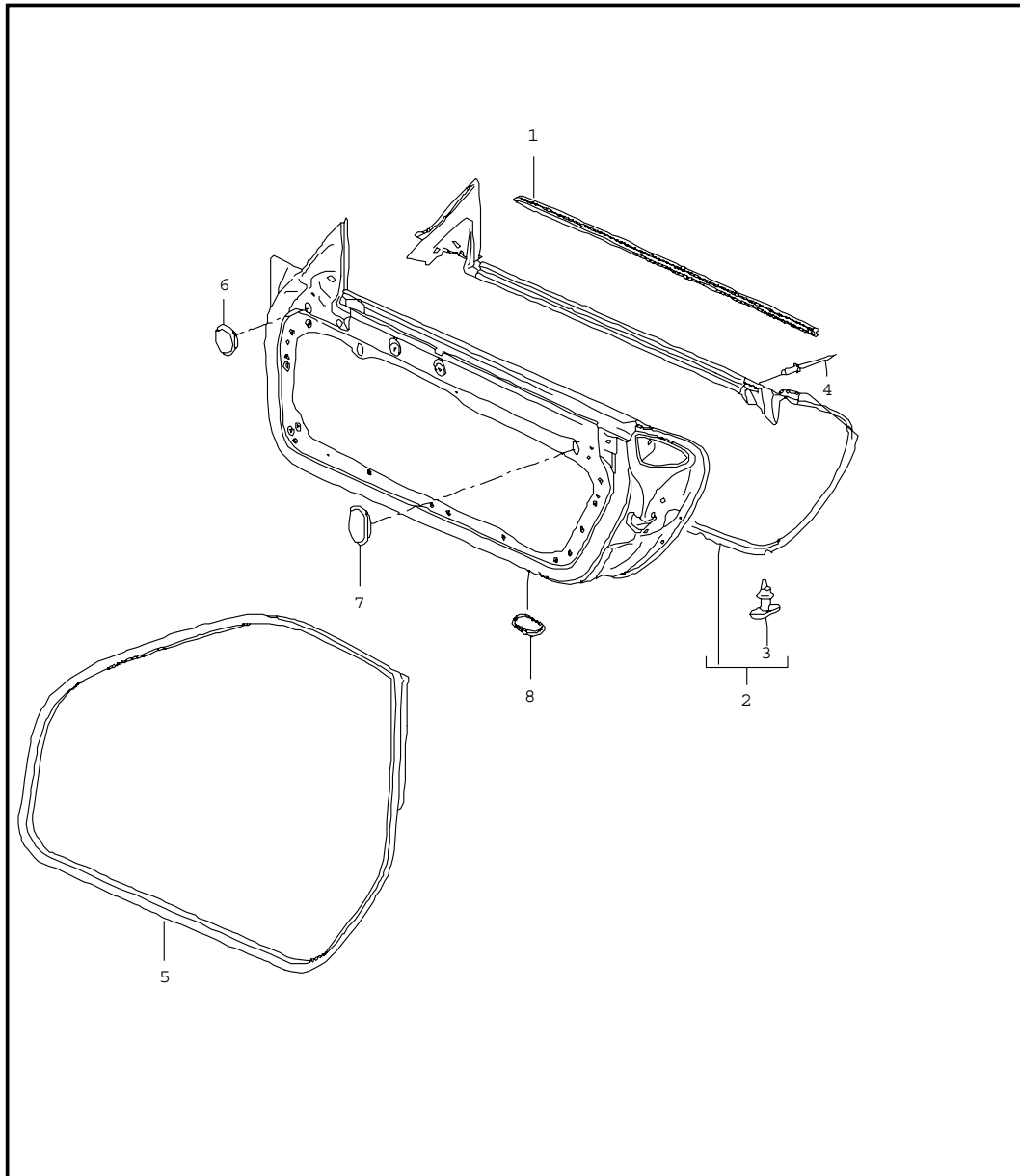


| Pos | Part Number | Name | Remarks | Qty | Model |
|------|----------------|--|---------|-----|-------|
| | | door in white installation parts door lock | | | |
| (1) | 997 531 011 03 | door in white | /L | 1 | |
| | | GRV prime coated | | | |
| 1 | 997 531 012 03 | door in white | /R | 1 | |
| | | GRV prime coated | | | |
| | | use also: | | | |
| - | 000 043 204 38 | sealing material | | 1 | |
| (2) | 997 531 321 01 | hinge | /L | 1 | |
| 2 | 997 531 322 01 | hinge upper | /R | 1 | |
| (3) | 997 531 319 01 | hinge | /L | 1 | |
| 3 | 997 531 320 01 | hinge lower | /R | 1 | |
| 4 | 996 531 831 00 | sleeve | | 4 | |
| 5 | 999 067 022 02 | screw M 8 X 20 | | 2 | |
| 6 | 997 537 151 01 | door arrester | | 2 | |
| 7 | 999 084 212 02 | hexagon nut M 6 | | 4 | |
| 8 | 999 073 138 09 | screw M 8 X 25 | | 2 | |
| 9 | 996 537 751 00 | seal | | 2 | |
| (10) | 997 537 331 00 | support | /L | 1 | |
| | | 01C satin black | | | |
| 10 | 997 537 332 00 | support | /R | 1 | |
| | | 01C satin black | | | |
| 11 | N 910 174 01 | countersunk-head screw M 8 X 22 | | 4 | |
| 12 | 3B0 837 033 P | end plate | | 2 | |
| 13 | WHT 000 439 | screw M 8 X 20 | | 2 | |
| (14) | 3D1 837 015 | door lock | /LL/L | 1 | I098 |

| | | | | | | | | | | | |
|-------|------|----|----|--------------|--------------|--------|------|------------|---------|-----|---------|
| Model | Year | MG | SG | Illustration | Restrictions | Update | 9:56 | 30.08.2006 | PORSCHE | PET | PORSCHE |
| 997t | 07 | 8 | 04 | 804-00 | | 203 | | | | | |

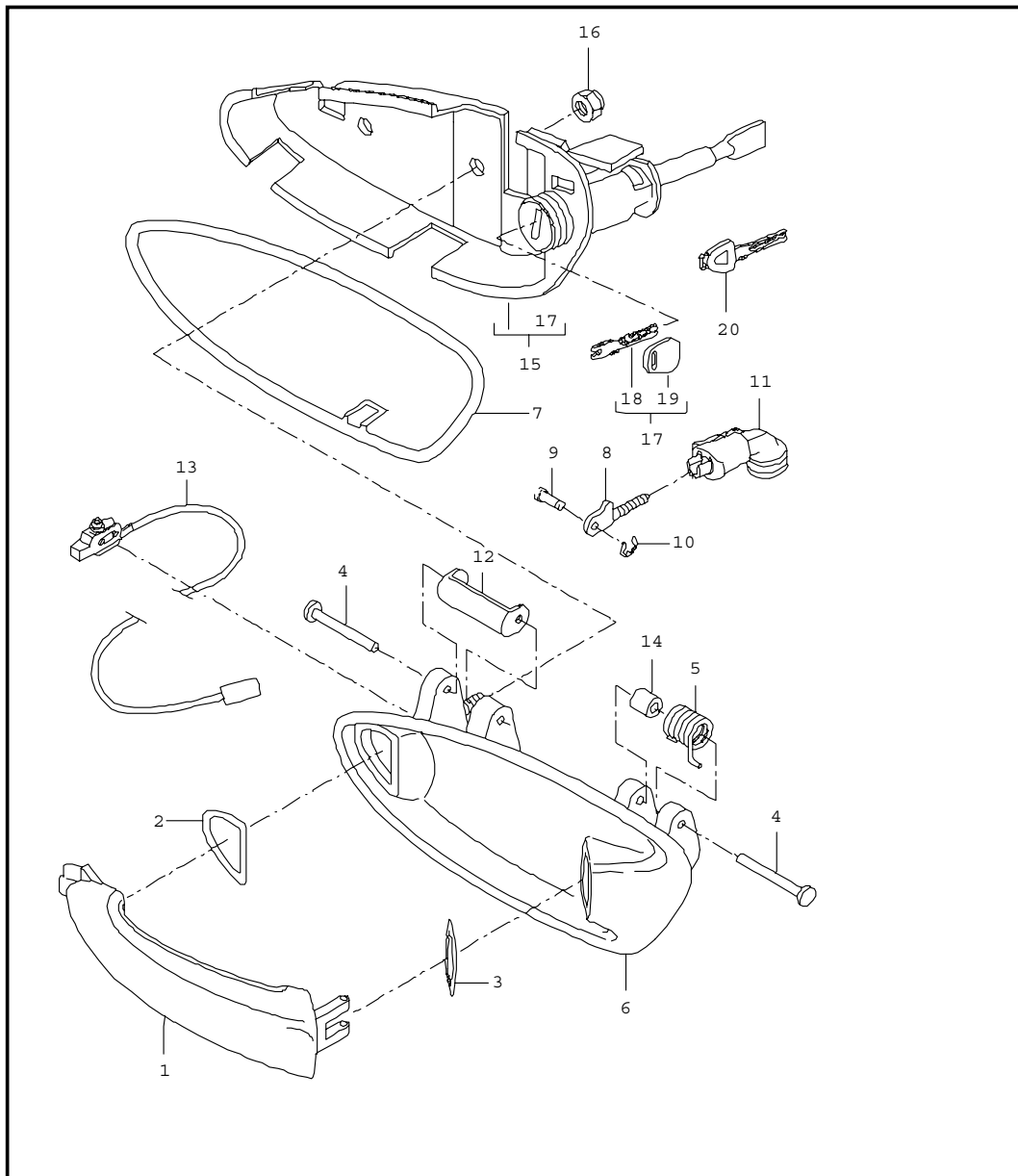
| Pos | Part Number | Name | Remarks | Qty | Model | Pos | Part Number | Name | Remarks | Qty | Model |
|------|----------------|---|---------|-----|-------|-----|-------------|------|---------|-----|-------|
| 14 | 3D1 837 016 | door lock | /LL/R | 1 | I098 | | | | | | |
| (14) | 3D1 837 015 C | door lock | /L | 1 | I072 | | | | | | |
| (14) | 3D1 837 016 C | door lock | /R | 1 | I072 | | | | | | |
| (14) | 3D2 837 015 | door lock | /RL/L | 1 | I099 | | | | | | |
| (14) | 3D2 837 016 | door lock | /RL/R | 1 | I099 | | | | | | |
| 15 | 997 537 319 01 | bowden cable | | 2 | | | | | | | |
| 16 | 999 072 043 09 | hexagon-head bolt M 6 X 12 micro-self-locking | | 2 | | | | | | | |
| 17 | 999 073 333 09 | oval-head screw M 6 X 16 | | 8 | | | | | | | |
| (18) | 987 537 201 00 | inner panel | /L | 1 | | | | | | | |
| 18 | 987 537 202 00 | inner panel | /R | 1 | | | | | | | |
| 19 | 900 119 072 00 | pan-head screw M8 X 16 | | 2 | | | | | | | |
| (20) | 997 537 333 00 | support | /L | 1 | | | | | | | |
| | G2X | prime coated | | | | | | | | | |
| 20 | 997 537 334 00 | support side section | /R | 1 | | | | | | | |
| | G2X | prime coated | | | | | | | | | |
| 21 | 999 500 121 02 | blind rivet nut M8 / 0,8 - 3 | | 2 | | | | | | | |
| | | - - - E N D - - - | | | | | | | | | |

| | | | | | | | | | | | |
|-------|------|----|----|--------------|--------------|--------|------|------------|---------|-----|---------|
| Model | Year | MG | SG | Illustration | Restrictions | Update | 9:57 | 30.08.2006 | PORSCHE | PET | PORSCHE |
| 997t | 07 | 8 | 04 | 804-10 | | 203 | | | | | |



| Pos | Part Number | Name | Remarks | Qty | Model |
|-------------------|----------------|-----------------------------------|---------|-----|-------|
| | | door seal gasket windscreen | | | |
| (1) | 997 537 085 03 | gasket | /L | 1 | |
| 1 | 997 537 086 03 | gasket door channel outer | /R | 1 | |
| (2) | 997 537 531 05 | gasket | /L | 1 | |
| 2 | 997 537 532 05 | gasket inner | /R | 1 | |
| 3 | 999 507 304 40 | clip 5,0 X 4,9 | | X | |
| 4 | 999 190 450 37 | blind rivet | | 1 | |
| (5) | 997 537 075 05 | gasket | /L | 1 | |
| 5 | 997 537 076 05 | gasket | /R | 1 | |
| 6 | 803 803 583 A | cover 20,0 X 30,0 | | 2 | |
| 7 | 999 703 541 40 | cover 20 X 28 X 1 | | 4 | |
| 8 | 999 703 542 40 | cover 23,8 X 38,7 | | 8 | |
| - - - E N D - - - | | | | | |

| | | | | | | | | | | | |
|-------|------|----|----|--------------|--------------|--------|------|------------|---------|-----|---------|
| Model | Year | MG | SG | Illustration | Restrictions | Update | 9:57 | 30.08.2006 | PORSCHE | PET | PORSCHE |
| 997t | 07 | 8 | 04 | 804-20 | | 203 | | | | | |

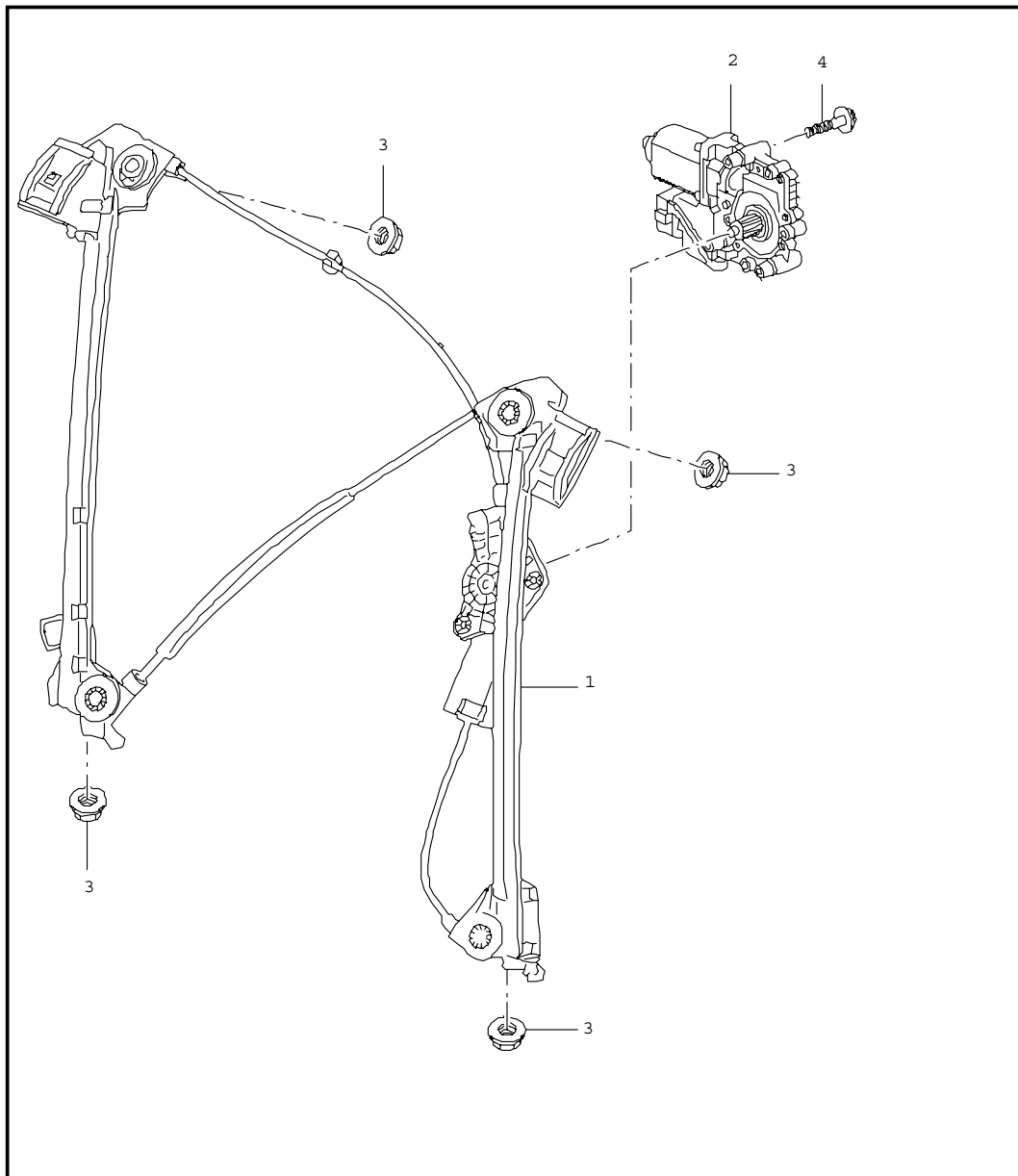


| Pos | Part Number | Name | Remarks | Qty | Model |
|------|----------------|-----------------------------------|---------|-----|----------|
| | | door handle | | | |
| 1 | 997 537 613 01 | outer door handle | /L | 1 | |
| (1) | 997 537 614 01 | outer door handle prime coated | /R | 1 | |
| 2 | 997 537 623 00 | buffer | | 2 | |
| 3 | 997 537 625 00 | buffer | | 2 | |
| 4 | 997 537 621 00 | axle | | 2 | |
| 5 | 997 537 611 00 | return spring | /L | 1 | |
| (5) | 997 537 612 00 | return spring | /R | 1 | |
| 6 | 997 537 645 01 | handle liner | /RL/L | 1 | I099 |
| | | G2X prime coated | | | |
| (6) | 997 537 646 01 | handle liner | /LL/R | 1 | I098 |
| | | G2X prime coated | | | |
| (6) | 997 537 645 02 | handle liner | /LL/L | 1 | I098/789 |
| (6) | 997 537 646 02 | handle liner | /RL/R | 1 | I099/789 |
| (6) | 997 537 645 03 | handle liner | /RL/L | 1 | I099/789 |
| (6) | 997 537 646 03 | handle liner prime coated | /LL/R | 1 | I098/789 |
| 7 | 997 537 637 00 | desk pad | /L | 1 | |
| (7) | 997 537 638 00 | desk pad | /R | 1 | |
| 8 | 997 537 627 00 | operating rod | | 2 | |
| 9 | 997 537 629 00 | bolt | | 2 | |
| 10 | 996 537 641 00 | lock washer | | 2 | |
| 11 | 997 537 445 03 | connecting piece | | 2 | |
| 12 | 997 537 653 00 | actuating lever | /L | 1 | |
| (12) | 997 537 654 00 | actuating lever | /R | 1 | |
| 13 | 997 613 125 00 | microswitch power windows | | 2 | |
| 14 | 997 537 633 00 | bush | | 2 | |
| 15 | 997 538 963 00 | support with lock cylinder | /LL/L | 1 | |

| | | | | | | | | | | | |
|-------|------|----|----|--------------|--------------|--------|------|------------|---------|-----|---------|
| Model | Year | MG | SG | Illustration | Restrictions | Update | 9:57 | 30.08.2006 | PORSCHE | PET | PORSCHE |
| 997t | 07 | 8 | 04 | 804-20 | | 203 | | | | | |

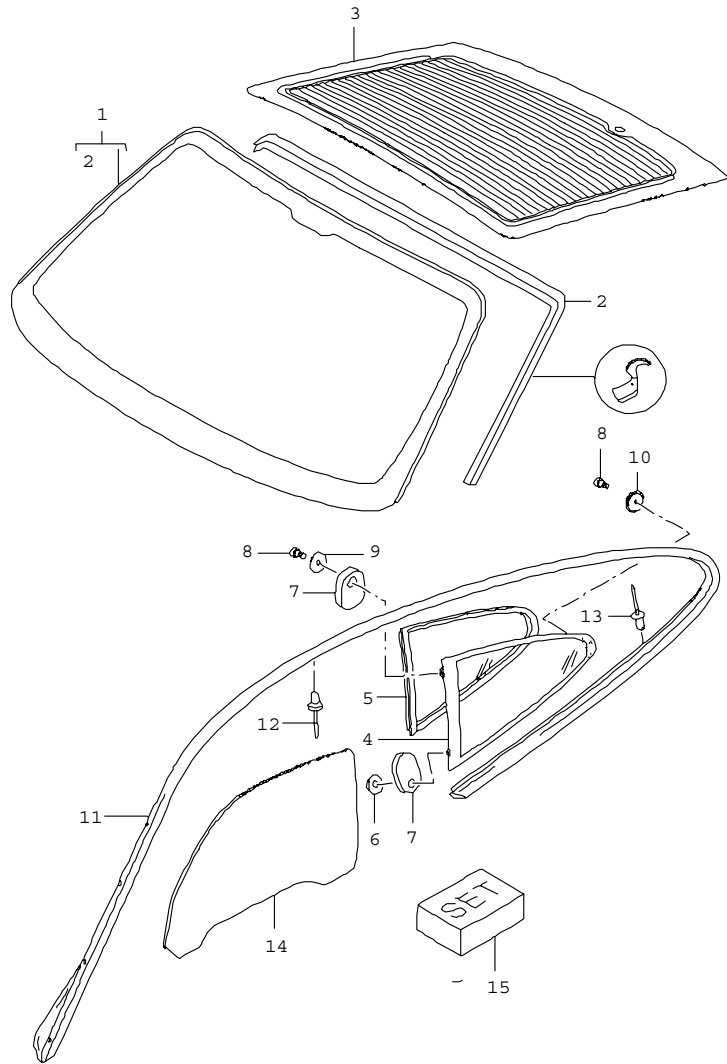
| Pos | Part Number | Name | Remarks | Qty | Model | Pos | Part Number | Name | Remarks | Qty | Model |
|------|----------------|---|---------|-----|-------|-----|-------------|------|---------|-----|-------|
| (15) | 997 538 964 00 | support with stipulated lock-no. with lock cylinder | /RL/R | 1 | | | | | | | |
| (15) | 997 538 963 01 | support with lock cylinder | /LL/L | 1 | | | | | | | |
| (15) | 997 538 964 01 | support w/o stipulated lock number with lock cylinder | /RL/R | 1 | | | | | | | |
| (15) | 997 538 963 02 | support with lock cylinder | /LL/L | 1 | I625 | | | | | | |
| (15) | 997 538 964 02 | support w/o stipulated lock number with lock cylinder | /RL/R | 1 | I625 | | | | | | |
| (15) | 997 538 963 03 | support with lock cylinder | /LL/L | 1 | I625 | | | | | | |
| (15) | 997 538 964 03 | support with stipulated lock-no. with lock cylinder | /RL/R | 1 | I625 | | | | | | |
| (15) | 997 537 463 01 | support without lock cylinder | /RL/L | 1 | | | | | | | |
| (15) | 997 537 464 01 | support without lock cylinder | /LL/R | 1 | | | | | | | |
| 16 | 900 380 015 09 | hexagon nut M 6 | | 2 | | | | | | | |
| 17 | 997 538 931 00 | replacement key with stipulated lock-no. state lock number | | X | | | | | | | |
| 18 | 997 538 531 00 | blank key | | X | | | | | | | |
| 19 | 944 538 431 00 | key cap | | X | | | | | | | |
| 20 | 955 538 916 00 | emergency key with stipulated lock-no. state lock number information available | | X | | | | | | | |
| (20) | 955 538 216 00 | emergency key w/o stipulated lock number | | X | | | | | | | |
| | | - - - E N D - - - | | | | | | | | | |

| | | | | | | | | | | | |
|-------|------|----|----|--------------|--------------|--------|------|------------|---------|-----|---------|
| Model | Year | MG | SG | Illustration | Restrictions | Update | 9:57 | 30.08.2006 | PORSCHE | PET | PORSCHE |
| 997t | 07 | 8 | 04 | 804-30 | | 203 | | | | | |



| Pos | Part Number | Name | Remarks | Qty | Model |
|-------------------|----------------|-----------------------------|---------|-----|-------|
| | | power windows | | | |
| 1 | 997 542 075 02 | power windows | /L | 1 | |
| (1) | 997 542 076 02 | power windows | /R | 1 | |
| 2 | 997 624 191 00 | electric motor | /LL/L | 1 | |
| (2) | 997 624 192 00 | electric motor | /LL/R | 1 | |
| (2) | 997 624 191 00 | electric motor | /RL/R | 1 | |
| (2) | 997 624 192 00 | electric motor | /RL/L | 1 | |
| 3 | 900 380 015 09 | hexagon nut M6 | | 4 | |
| 4 | 999 919 209 09 | oval-head screw M 5 X 22 | | 3 | |
| - - - E N D - - - | | | | | |

| | | | | | | | | | | | |
|-------|------|----|----|--------------|--------------|--------|------|------------|---------|-----|---------|
| Model | Year | MG | SG | Illustration | Restrictions | Update | 9:57 | 30.08.2006 | PORSCHE | PET | PORSCHE |
| 997t | 07 | 8 | 05 | 805-00 | | 203 | | | | | |

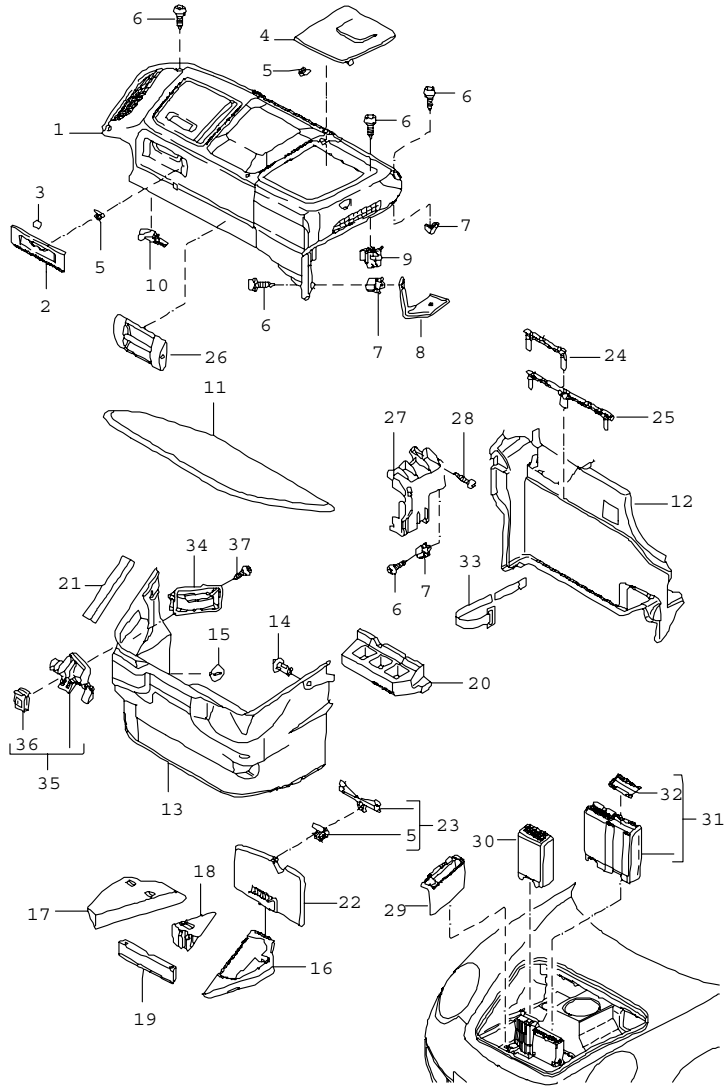


| Pos | Part Number | Name | Remarks | Qty | Model |
|------|----------------|---|---------|-----|----------|
| | | windows | | | |
| 1 | 997 541 911 00 | windscreen tinted information available | | 1 | I440/568 |
| (1) | 997 541 911 01 | windscreen tinted upper part: dark green information available | | 1 | I440/567 |
| 2 | 997 541 901 00 | gasket windscreen | | 1 | |
| 3 | 997 545 911 00 | rear window | | 1 | I426 |
| 3 | 997 545 911 01 | rear window | | 1 | I425 |
| 4 | 997 543 111 00 | rear glass | /L | 1 | |
| (4) | 997 543 112 00 | rear glass | /R | 1 | |
| 5 | 996 543 325 00 | sealing frame rear glass | /L | 1 | |
| (5) | 996 543 326 00 | sealing frame rear glass | /R | 1 | |
| 6 | 999 084 210 02 | lock nut M 8 | | 1 | |
| 7 | 996 543 611 02 | gasket | | 2 | |
| 8 | 999 218 011 02 | pan-head screw M 6 X 12 | | 2 | |
| 9 | 999 025 270 02 | washer 6,4 X 30 X 1,5 | | 1 | |
| 10 | 996 543 625 00 | sealing washer | | 1 | |
| 11 | 997 537 481 00 | roof frame seal | /L | 1 | |
| (11) | 997 537 482 00 | roof frame seal | /R | 1 | |
| 12 | 999 190 445 37 | blind rivet 4,0 X 7,9 | | 13 | |
| 13 | 999 190 450 37 | blind rivet 4,0 X 6,3 | | 7 | |
| 14 | 997 542 511 00 | door glass | /L | 1 | |
| (14) | 997 542 512 00 | door glass | /R | 1 | |
| 15 | 000 043 300 94 | adhesive set TEROSTAT 8593 | | 1 | |

| | | | | | | | | | | | |
|-------|------|----|----|--------------|--------------|--------|------|------------|---------|-----|---------|
| Model | Year | MG | SG | Illustration | Restrictions | Update | | | | | |
| 997t | 07 | 8 | 05 | 805-00 | | 203 | 9:57 | 30.08.2006 | PORSCHE | PET | PORSCHE |

| Pos | Part Number | Name | Remarks | Qty | Model | Pos | Part Number | Name | Remarks | Qty | Model |
|-----|----------------|--|---------|-----|-------|-----|-------------|------|---------|-----|-------|
| - | 000 043 206 47 | care set side window see technical manual - - - E N D - - - | | X | | | | | | | |

| | | | | | | | | | | | |
|-------|------|----|----|--------------|--------------|--------|------|------------|---------|-----|---------|
| Model | Year | MG | SG | Illustration | Restrictions | Update | 9:57 | 30.08.2006 | PORSCHE | PET | PORSCHE |
| 997t | 07 | 8 | 07 | 807-00 | | 203 | | | | | |



| Pos | Part Number | Name | Remarks | Qty | Model |
|-----|----------------|---|---------|-----|-------|
| 1 | 997 551 630 00 | luggage compartment lining luggage compartment FMU black/black | /LL | 1 | I098 |
| 1 | 997 551 630 01 | lining luggage compartment FMU black/black | /RL | 1 | I099 |
| 2 | 997 551 304 00 | cover lining lower 02A black | /LL | 1 | I098 |
| 3 | 997 551 817 00 | support hinge | /LL | 2 | I098 |
| 4 | 997 551 309 00 | cover brake booster 02A black | /LL | 1 | I098 |
| (4) | 997 551 310 00 | cover brake booster 02A black | /RL | 1 | I099 |
| 5 | 999 507 552 01 | spring clamp 9 X 13/3,0 | | X | |
| 6 | 999 073 048 02 | tapping screw ST 3,5 X 13 | | X | |
| 7 | 999 507 734 40 | support ST 3,5 | | X | |
| 8 | 997 551 771 02 | support lining luggage compartment | | 1 | |
| 9 | 999 507 512 40 | support ST 3,5 | | X | |
| 10 | 997 551 772 02 | support lining | | 1 | |
| 11 | 997 551 351 00 | cover tool carpet A31 black | | 1 | |

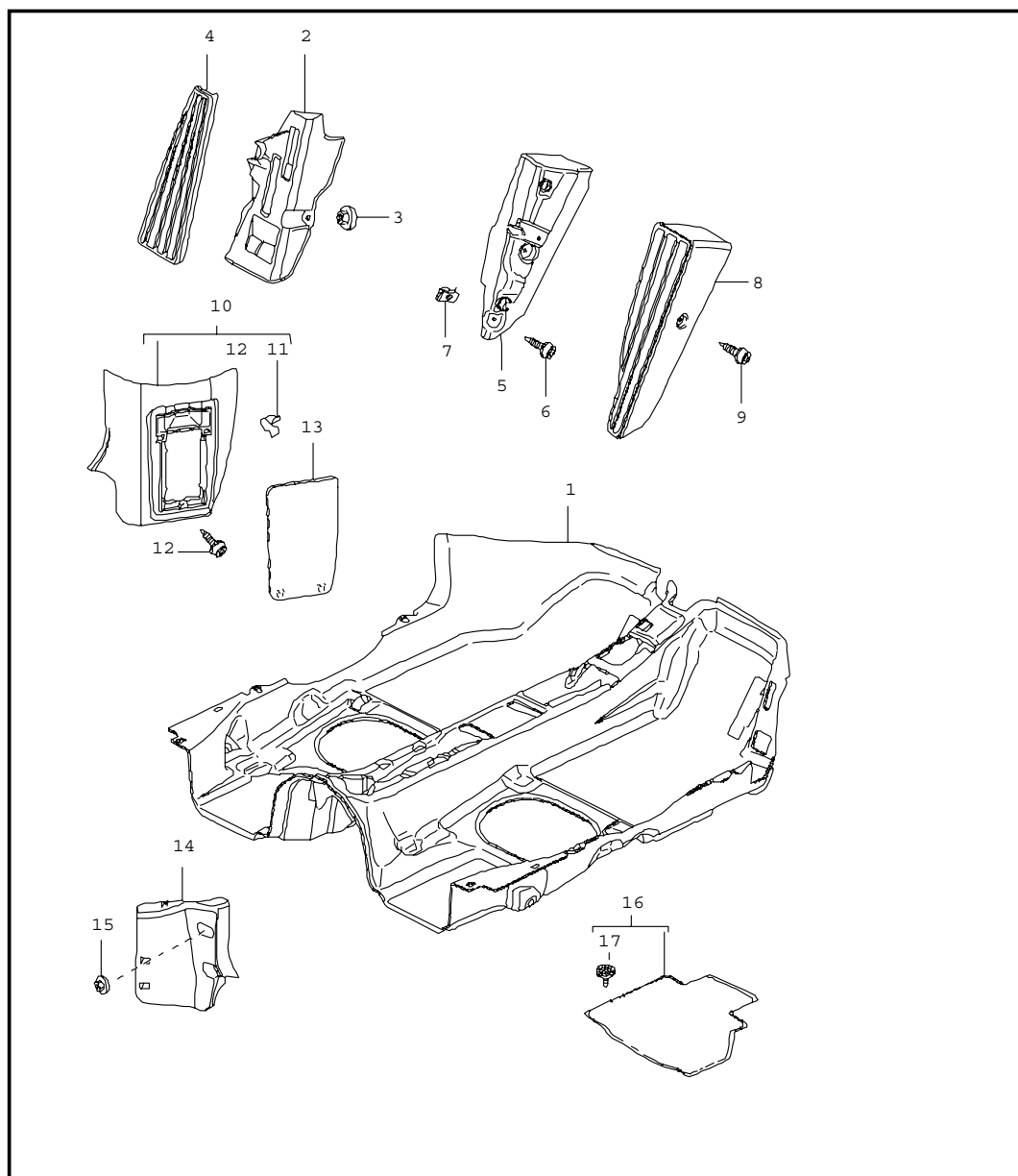
| | | | | | | | | | | | |
|-------|------|----|----|--------------|--------------|--------|------|------------|---------|-----|---------|
| Model | Year | MG | SG | Illustration | Restrictions | Update | 9:57 | 30.08.2006 | PORSCHE | PET | PORSCHE |
| 997t | 07 | 8 | 07 | 807-00 | | 203 | | | | | |

| Pos | Part Number | Name | Remarks | Qty | Model | Pos | Part Number | Name | Remarks | Qty | Model | |
|------|----------------|------------------------------|---------|-----|--------------|------|----------------|---|--------------------------------------|-------|----------|----------|
| (11) | 997 551 351 04 | cover tool carpet | /LL | 1 | I098/692 | | A31 | black | | | | |
| | A31 | black | | | | 13 | 997 551 045 14 | lining luggage compartment pan carpet | /LL | 1 | I098 | |
| (11) | 997 551 351 06 | cover tool carpet | /RL | 1 | I099/670 | | A31 | black | | | | |
| | A31 | black | | | | (13) | 997 551 045 16 | lining luggage compartment pan carpet | /RL | 1 | I099 | |
| (11) | 997 551 351 06 | cover tool carpet | /RL | 1 | I099/672 | | A31 | black | | | | |
| | A31 | black | | | | 14 | 999 049 006 40 | plastic nut T5 / 30 X 7,5 | | 2 | | |
| (11) | 997 551 351 07 | cover tool carpet | /RL | 1 | I099/692 | | 15 | 997 551 807 00 | cap nut | 1 | | |
| | A31 | black | | | | (15) | 999 703 455 41 | cover | | 1 | I490/680 | |
| (11) | 997 551 351 08 | cover tool carpet | /RL | 1 | I099/670/692 | | 16 | 997 551 401 00 | foam part tool | /LL/L | 1 | I098 |
| | A31 | black | | | | (16) | 997 551 402 00 | foam part tool | /RL/R | 1 | I099 | |
| (11) | 997 551 351 08 | cover tool carpet | /RL | 1 | I099/672/692 | | 17 | 997 551 408 00 | foam part luggage compartment pan | /LL/R | 1 | I098 |
| | A31 | black | | | | (17) | 997 551 407 00 | foam part luggage compartment pan | /RL/L | 1 | I099 | |
| 12 | 997 551 051 19 | lining bulkhead carpet | /LL | 1 | I098/476 | | 18 | 997 551 405 00 | foam part compressor rear | | 1 | |
| | A31 | black | | | | 19 | 997 551 403 00 | foam part compressor front | | 1 | | |
| (12) | 997 551 051 22 | lining bulkhead carpet | /RL | 1 | I099/476 | | 20 | 997 551 412 00 | foam part bulkhead | | 1 | |
| | A31 | black | | | | 21 | 997 551 414 00 | foam part cd changer | /LL | 1 | I098/692 | |
| (12) | 997 551 051 23 | lining bulkhead carpet | /RL | 1 | I099/476/670 | | (21) | 997 551 413 00 | foam part cd changer | /RL | 1 | I099/692 |
| | A31 | black | | | | 22 | 997 551 501 00 | cover compressed air bottle | /LL | 1 | I098 | |
| (12) | 997 551 051 23 | lining bulkhead carpet | /RL | 1 | I099/476/672 | | A31 | black | | | | |
| | | | | | | (22) | 997 551 502 00 | cover compressed air bottle | /RL | 1 | I099 | |

| | | | | | | | | | | | |
|-------|------|----|----|--------------|--------------|--------|------|------------|---------|-----|---------|
| Model | Year | MG | SG | Illustration | Restrictions | Update | | | | | |
| 997t | 07 | 8 | 07 | 807-00 | | 203 | 9:57 | 30.08.2006 | PORSCHE | PET | PORSCHE |

| Pos | Part Number | Name | Remarks | Qty | Model | Pos | Part Number | Name | Remarks | Qty | Model |
|------|----------------|-------------------------------------|---------|-----|--------------|-----|-------------|------|---------|-----|-------|
| | A31 | black | | | | | | | | | |
| 23 | 997 551 415 00 | adapter compressed air bottle | | 1 | | | | | | | |
| 26 | 997 551 805 01 | eye luggage compartment front | | 1 | | | | | | | |
| | 02A | black | | | | | | | | | |
| 27 | 997 551 736 01 | cover control unit | | 1 | | | | | | | |
| 28 | 999 073 061 02 | tapping screw ST 4,8 X 16 | | X | | | | | | | |
| 29 | 997 551 104 00 | lining cd changer | /LL | 1 | I098/692 | | | | | | |
| | 02A | black | | | | | | | | | |
| (29) | 997 551 103 00 | lining cd changer | /RL | 1 | I099/692 | | | | | | |
| | 02A | black | | | | | | | | | |
| 30 | 997 551 108 00 | lining booster | | 1 | I664 | | | | | | |
| | 02A | black | | | | | | | | | |
| (31) | 997 551 105 00 | lining dvd | /RL | 1 | I099/670 | | | | | | |
| | 02A | black | | | | | | | | | |
| (31) | 997 551 105 00 | lining dvd | /RL | 1 | I099/672 | | | | | | |
| | 02A | black | | | | | | | | | |
| (32) | 997 551 811 00 | cover lining dvd | /RL | 1 | I099/670/672 | | | | | | |
| | 02A | black | | | | | | | | | |
| 33 | 997 551 741 00 | retaining strap | | 1 | I024 | | | | | | |
| (33) | 997 551 741 00 | retaining strap first-aid kit | | 1 | I499 | | | | | | |
| | | - - - E N D - - - | | | | | | | | | |

| | | | | | | | | | | | |
|-------|------|----|----|--------------|--------------|--------|------|------------|---------|-----|---------|
| Model | Year | MG | SG | Illustration | Restrictions | Update | 9:58 | 30.08.2006 | PORSCHE | PET | PORSCHE |
| 997t | 07 | 8 | 07 | 807-02 | | 203 | | | | | |



| Pos | Part Number | Name | Remarks | Qty | Model |
|-----|----------------|---|---------|-----|-------|
| 1 | 997 551 011 08 | carpet linings carpet FLW black FLX stone grey FLY sand beige FLZ sea blue FMA palmgreen FMB terracotta FMC cocoa FMD dark grey/natural FME brown/natural | /LL | 1 | I098 |
| (1) | 997 551 011 09 | carpet carpet FLW black FLX stone grey FLY sand beige FLZ sea blue FMA palmgreen FMB terracotta FMC cocoa FMD dark grey/natural FME brown/natural | /RL | 1 | I099 |
| -- | 997 551 813 00 | protective film carpet | /LL | 1 | |
| -- | 997 551 815 00 | protective film carpet | /RL | 1 | |
| 2 | 997 551 211 00 | foot support | /LL | 1 | |
| 3 | 999 076 081 40 | plastic nut T5/16 X 11,2 FUER mount foot support | /LL | 2 | |

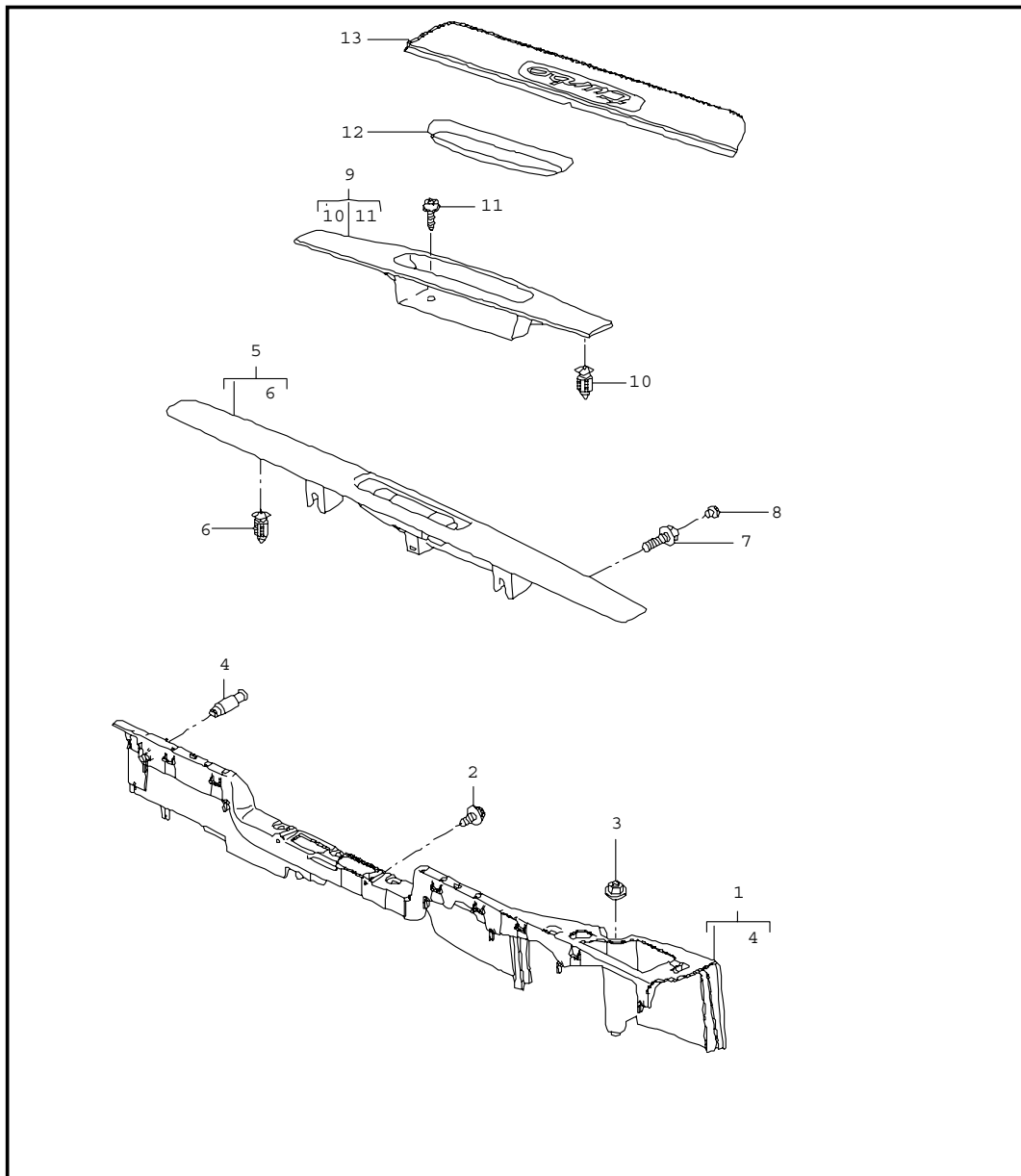
| | | | | | | | | | | | |
|-------|------|----|----|--------------|--------------|--------|------|------------|---------|-----|---------|
| Model | Year | MG | SG | Illustration | Restrictions | Update | 9:58 | 30.08.2006 | PORSCHE | PET | PORSCHE |
| 997t | 07 | 8 | 07 | 807-02 | | 203 | | | | | |

| Pos | Part Number | Name | Remarks | Qty | Model | Pos | Part Number | Name | Remarks | Qty | Model |
|-----|----------------|--|---------|-----|----------|------|----------------|--|---------|-----|-------|
| 4 | 997 551 611 00 | cover foot support | /LL | 1 | I098 | (10) | 997 551 102 00 | lining fusebox carpet | /RL | 1 | I099 |
| | 01C | satin black | | | | | A10 | black | | | |
| (4) | 997 551 986 00 | cover foot support | /LL | 1 | IXXZ/098 | | B10 | stone grey | | | |
| 5 | 997 551 212 00 | foot support | /RL | 1 | I099 | | T10 | sand beige | | | |
| 6 | 999 073 060 02 | tapping screw ST 4,8 X 13 for mount foot support | /RL | 2 | I099 | | E10 | sea blue | | | |
| | | | | | | | J10 | palmgreen | | | |
| | | | | | | | M10 | terracotta | | | |
| 7 | 999 591 485 02 | speed nut ST 4,8 for mount foot support | /RL | 2 | I099 | | R10 | cocoa | | | |
| | | | | | | | D11 | dark grey/natural | | | |
| | | | | | | | T11 | brown/natural | | | |
| 8 | 997 551 612 00 | cover foot support | /RL | 1 | I099 | 11 | 999 507 552 01 | spring clamp 9,0 X 13/4,0 | | 2 | |
| | 01C | satin black | | | | 12 | 999 919 161 09 | oval-head screw 5,0 X 18 for mount lining fusebox | | 3 | |
| 9 | 999 919 188 09 | oval-head screw 5,0 X 30 for mount cover foot support | /RL | 1 | I099 | 13 | 997 551 621 00 | cover lining fusebox | /LL | 1 | I098 |
| | | | | | | | 01C | satin black | | | |
| 10 | 997 551 101 00 | lining fusebox carpet | /LL | 1 | I098 | (13) | 997 551 622 00 | cover lining fusebox | /RL | 1 | I099 |
| | A10 | black | | | | | 01C | satin black | | | |
| | B10 | stone grey | | | | (14) | 997 551 712 02 | support carpet | /LL | 1 | I098 |
| | T10 | sand beige | | | | (14) | 997 551 711 02 | support carpet | /RL | 1 | I099 |
| | E10 | sea blue | | | | 15 | 999 076 081 40 | plastic nut T5/16 X 11,2 mount support carpet | | 2 | |
| | J10 | palmgreen | | | | | | | | | |
| | M10 | terracotta | | | | | | | | | |
| | R10 | cocoa | | | | | | | | | |
| | D11 | dark grey/natural | | | | | | | | | |
| | T11 | brown/natural | | | | | | | | | |

| | | | | | | | | | | | |
|-------|------|----|----|--------------|--------------|--------|------|------------|---------|-----|---------|
| Model | Year | MG | SG | Illustration | Restrictions | Update | 9:58 | 30.08.2006 | PORSCHE | PET | PORSCHE |
| 997t | 07 | 8 | 07 | 807-02 | | 203 | | | | | |

| Pos | Part Number | Name | Remarks | Qty | Model | Pos | Part Number | Name | Remarks | Qty | Model |
|------|----------------|--------------------------------------|---------|-----|----------|-----|-------------|------|---------|-----|-------|
| 16 | 997 551 984 04 | floor mat set perlon velour | /LL 07- | 1 | I098/810 | | | | | | |
| | A41 | black | | | | | | | | | |
| | B21 | stone grey | | | | | | | | | |
| | T41 | sand beige | | | | | | | | | |
| | E21 | sea blue | | | | | | | | | |
| | J41 | palmgreen | | | | | | | | | |
| | M21 | terracotta | | | | | | | | | |
| | R41 | cocoa | | | | | | | | | |
| | T21 | brown/natural | | | | | | | | | |
| (16) | 997 551 984 05 | floor mat set perlon velour | /RL 07- | 1 | I099/810 | | | | | | |
| | A41 | black | | | | | | | | | |
| | B21 | stone grey | | | | | | | | | |
| | T41 | sand beige | | | | | | | | | |
| | E21 | sea blue | | | | | | | | | |
| | J41 | palmgreen | | | | | | | | | |
| | M21 | terracotta | | | | | | | | | |
| | R41 | cocoa | | | | | | | | | |
| | T21 | brown/natural | | | | | | | | | |
| 17 | 999 902 054 40 | fastening plate for floor mats | | 4 | | | | | | | |
| | | - - - E N D - - - | | | | | | | | | |

| | | | | | | | | | | | |
|-------|------|----|----|--------------|--------------|--------|------|------------|---------|-----|---------|
| Model | Year | MG | SG | Illustration | Restrictions | Update | 9:58 | 30.08.2006 | PORSCHE | PET | PORSCHE |
| 997t | 07 | 8 | 07 | 807-03 | | 203 | | | | | |

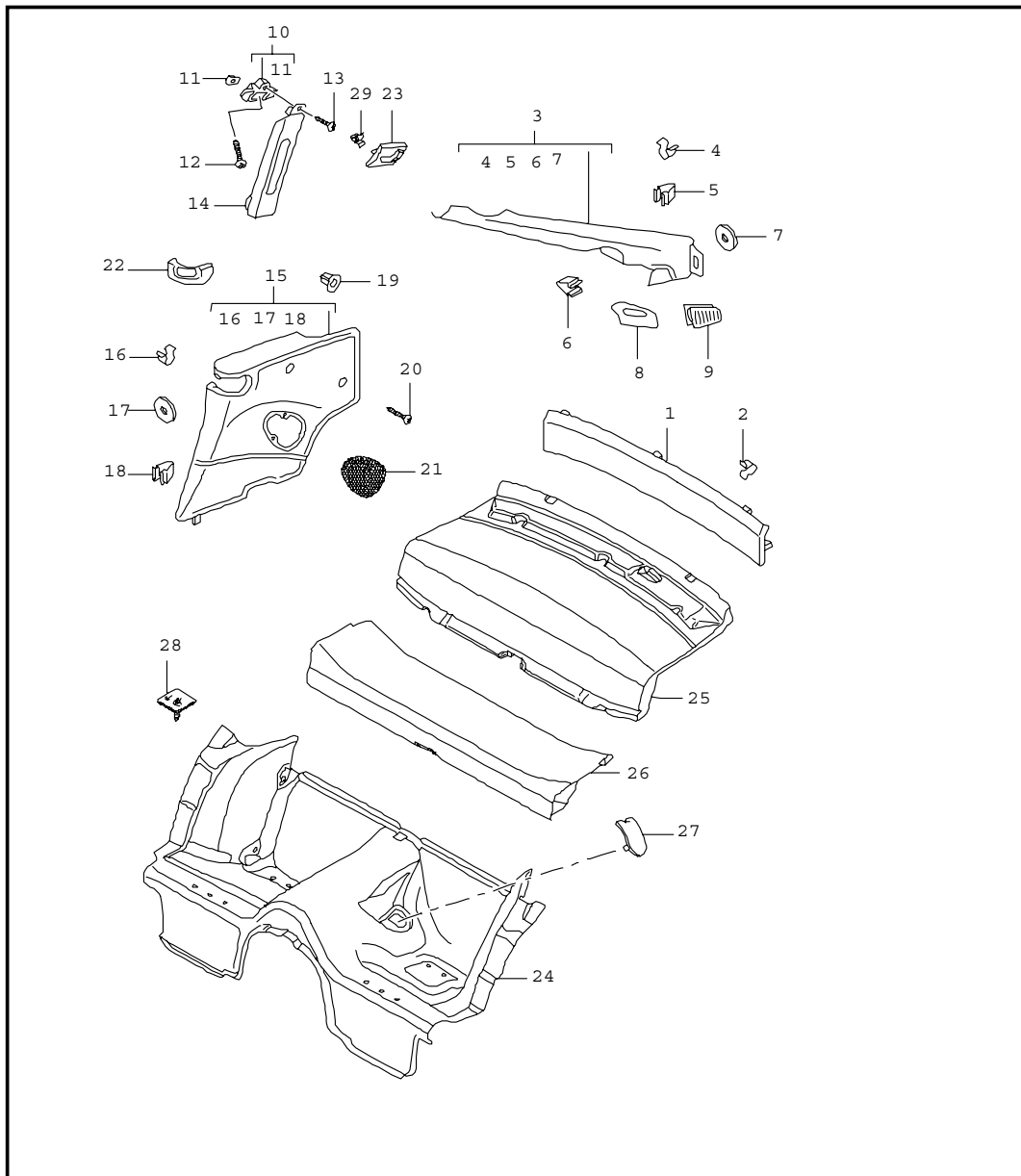


| Pos | Part Number | Name | Remarks | Qty | Model |
|-----|----------------|---|---------|-----|-------|
| 1 | 997 551 619 01 | lining door sill | /L | 1 | |
| (1) | 997 551 620 01 | support door sill | /R | 1 | |
| 2 | 900 143 082 02 | tapping screw ST 6,3 X 13 for mount support door sill | | 4 | |
| 3 | 999 076 081 40 | plastic nut T5 16 X 11,2 for mount support door sill | | 2 | |
| 4 | 996 551 873 00 | locating peg for mount support door sill | | 2 | |
| 5 | 997 551 019 04 | lining door sill driver's side | /LL | 1 | I098 |
| | A03 | black | | | |
| (5) | 997 551 019 05 | lining door sill driver's side | /RL | 1 | I099 |
| | A03 | black | | | |
| 5 | 997 551 982 00 | lining door sill driver's side leather | /LL | 1 | IXTG |
| | A11 | black | | | |
| | 5X6 | stone grey | | | |
| | 8G2 | sand beige | | | |
| | 3S9 | sea blue | | | |
| | 4P2 | palmgreen | | | |
| | 9S5 | terracotta | | | |

| | | | | | | | | | | | |
|-------|------|----|----|--------------|--------------|--------|------|------------|---------|-----|---------|
| Model | Year | MG | SG | Illustration | Restrictions | Update | 9:58 | 30.08.2006 | PORSCHE | PET | PORSCHE |
| 997t | 07 | 8 | 07 | 807-03 | | 203 | | | | | |

| Pos | Part Number | Name | Remarks | Qty | Model | Pos | Part Number | Name | Remarks | Qty | Model |
|-----|----------------|--|---------|-----|-------|-----|----------------|--|-------------------|--------|-------|
| | | 9V6 cocoa | | | | | 4P2 | palmgreen | | | |
| | | D12 dark grey/natural | | | | | 9S5 | terracotta | | | |
| | | T12 brown/natural | | | | | 9V6 | cocoa | | | |
| (5) | 997 551 982 01 | lining door sill driver's side leather | /RL | 1 | IXTG | | D12 | dark grey/natural | | | |
| | | A11 black | | | | 10 | 999 507 484 40 | expander nut 9 X 22 | | 6 | |
| | | 5X6 stone grey | | | | 11 | 999 919 164 09 | oval-head screw 5,0 X 12 | | 1 | |
| | | 8G2 sand beige | | | | 12 | 996 551 513 00 | mat | | 1 | |
| | | 3S9 sea blue | | | | 13 | 997 551 303 11 | scuff plate lacquered | | 2 | |
| | | 4P2 palmgreen | | | | | A03 | black | | | |
| | | 9S5 terracotta | | | | | | scuff plate exclusive see catalogue tequipment 8/07/06 | | 1 1 | |
| | | 9V6 cocoa | | | | | | | | | |
| | | D12 dark grey/natural | | | | | | | | | |
| | | T12 brown/natural | | | | | | | | | |
| 6 | 999 507 484 40 | expander nut 9 X 22 | | 6 | | | | | - - - E N D - - - | | |
| 7 | 999 067 046 09 | screw M 6 X 20 | | 2 | | | | | | | |
| 8 | 999 703 443 40 | plug 8,0 X 11 | | 2 | | | | | | | |
| | | 01C satin black | | | | | | | | | |
| 9 | 997 551 120 01 | lining door sill passenger's side | | 1 | | | | | | | |
| | | A03 black | | | | | | | | | |
| (9) | 997 551 983 00 | lining door sill passenger's side leather | | 1 | IXTG | | | | | | |
| | | A11 black | | | | | | | | | |
| | | 5X6 stone grey | | | | | | | | | |
| | | 8G2 sand beige | | | | | | | | | |
| | | 3S9 sea blue | | | | | | | | | |

| | | | | | | | | | | | |
|-------|------|----|----|--------------|--------------|--------|------|------------|---------|-----|---------|
| Model | Year | MG | SG | Illustration | Restrictions | Update | 9:58 | 30.08.2006 | PORSCHE | PET | PORSCHE |
| 997t | 07 | 8 | 07 | 807-05 | | 203 | | | | | |



| Pos | Part Number | Name | Remarks | Qty | Model |
|-----|----------------|---|---------|-----|-------|
| 1 | 997 555 081 00 | linings rear lining rear wall carpet | | 1 | I426 |
| | A10 | black | | | |
| | B10 | stone grey | | | |
| | T10 | sand beige | | | |
| | E10 | sea blue | | | |
| | J10 | palmgreen | | | |
| | M10 | terracotta | | | |
| | R10 | cocoa | | | |
| | D11 | dark grey/natural | | | |
| | T11 | brown/natural | | | |
| (1) | 997 555 081 01 | linings rear wall carpet | | 1 | I425 |
| | A10 | black | | | |
| | B10 | stone grey | | | |
| | T10 | sand beige | | | |
| | E10 | sea blue | | | |
| | J10 | palmgreen | | | |
| | M10 | terracotta | | | |
| | R10 | cocoa | | | |
| | D11 | dark grey/natural | | | |
| | T11 | brown/natural | | | |
| 2 | 999 507 687 05 | fixing clip 11,3 | | 5 | |
| 3 | 997 555 187 01 | lining c-pillar leather | /L | 1 | I981 |
| | A11 | black | | | |
| | 5X6 | stone grey | | | |

| | | | | | | | | | | | |
|-------|------|----|----|--------------|--------------|--------|------|------------|---------|-----|---------|
| Model | Year | MG | SG | Illustration | Restrictions | Update | 9:58 | 30.08.2006 | PORSCHE | PET | PORSCHE |
| 997t | 07 | 8 | 07 | 807-05 | | 203 | | | | | |

| Pos | Part Number | Name | Remarks | Qty | Model | Pos | Part Number | Name | Remarks | Qty | Model |
|-----|----------------|--|---------|-----|-------|-----|----------------|--|---------|-----|-------|
| | 8G2 | sand beige | | | | | 5V7 | stone grey | | | |
| | 3S9 | sea blue | | | | | 5Z1 | sand beige | | | |
| | 4P2 | palmgreen | | | | | 8W7 | sea blue | | | |
| | 9S5 | terracotta | | | | | 5Y2 | palmgreen | | | |
| | 9V6 | cocoa | | | | | 8X8 | terracotta | | | |
| | D12 | dark grey/natural | | | | | 8P9 | cocoa | | | |
| | T12 | brown/natural | | | | | T13 | brown/natural | | | |
| (3) | 997 555 188 01 | lining c-pillar leather | /R | 1 | I981 | (8) | 996 555 546 01 | rose seat belt rear lacquered | /R | 1 | |
| | A11 | black | | | | | A03 | black | | | |
| | 5X6 | stone grey | | | | | 5V7 | stone grey | | | |
| | 8G2 | sand beige | | | | | 5Z1 | sand beige | | | |
| | 3S9 | sea blue | | | | | 8W7 | sea blue | | | |
| | 4P2 | palmgreen | | | | | 5Y2 | palmgreen | | | |
| | 9S5 | terracotta | | | | | 8X8 | terracotta | | | |
| | 9V6 | cocoa | | | | | 8P9 | cocoa | | | |
| | D12 | dark grey/natural | | | | | T13 | brown/natural | | | |
| | T12 | brown/natural | | | | 9 | 996 555 645 00 | grille bleeding lacquered | /L | 1 | |
| 4 | 999 507 533 02 | clamp 8,0 X10,0/2,5 | | 4 | | | A03 | black | | | |
| 5 | 999 507 479 09 | clamp 2,5/09 | | 6 | | | 5V7 | stone grey | | | |
| (5) | 999 507 676 09 | clamp 2,5/2,2 | | 1 | | | 5Z1 | sand beige | | | |
| 6 | 999 651 307 02 | cable clamp 18,0 | | 2 | | | 8W7 | sea blue | | | |
| 7 | 999 551 609 40 | plastic washer 8,0 X 23 X 3,0 | | 7 | | | 5Y2 | palmgreen | | | |
| 8 | 996 555 545 01 | rose seat belt rear lacquered | /L | 1 | | | 8X8 | terracotta | | | |
| | A03 | black | | | | | 8P9 | cocoa | | | |
| | | | | | | (9) | 996 555 646 00 | grille bleeding lacquered | /L | 1 | |
| | | | | | | | T13 | brown/natural | | | |

| | | | | | | | | | | | |
|-------|------|----|----|--------------|--------------|--------|------|------------|---------|-----|---------|
| Model | Year | MG | SG | Illustration | Restrictions | Update | 9:58 | 30.08.2006 | PORSCHE | PET | PORSCHE |
| 997t | 07 | 8 | 07 | 807-05 | | 203 | | | | | |

| Pos | Part Number | Name | Remarks | Qty | Model | Pos | Part Number | Name | Remarks | Qty | Model |
|------|----------------|-------------------------------|---------|-----|-------|------|----------------|----------------------------|---------|-----|-------|
| | A03 | black | | | | | 5X6 | stone grey | | | |
| | 5V7 | stone grey | | | | | 8G2 | sand beige | | | |
| | 5Z1 | sand beige | | | | | 3S9 | sea blue | | | |
| | 8W7 | sea blue | | | | | 4P2 | palmgreen | | | |
| | 5Y2 | palmgreen | | | | | 9S5 | terracotta | | | |
| | 8X8 | terracotta | | | | | 9V6 | cocoa | | | |
| | 8P9 | cocoa | | | | | D12 | dark grey/natural | | | |
| | T13 | brown/natural | | | | | T12 | brown/natural | | | |
| 10 | 996 555 821 02 | bracket coat hook | /L | 1 | | -- | 996 555 859 00 | grommet b-pillar | | 2 | |
| (10) | 996 555 822 02 | bracket coat hook | /R | 1 | | 15 | 997 555 071 01 | side trim panel leather | /L | 1 | I981 |
| 11 | 999 507 695 02 | speed nut ST 4,8 | | 2 | | | FSA | black/grey | | | |
| 12 | 999 073 130 02 | oval-head screw M 6 X 16 | | 2 | | | FSB | stone grey/stone grey | | | |
| 13 | 999 073 060 02 | tapping screw 4,8 X 13 | | 2 | | | FSC | sand beige/sand beige | | | |
| 14 | 997 555 183 01 | lining b-pillar leather | /L | 1 | I981 | | FSD | seeblue/grey | | | |
| | A11 | black | | | | | FSE | palm-green/palm-green | | | |
| | 5X6 | stone grey | | | | | FSF | terrakotta/terrakotta | | | |
| | 8G2 | sand beige | | | | | FSG | cocoa/cocoa | | | |
| | 3S9 | sea blue | | | | | FSH | darkgrey natural/grey | | | |
| | 4P2 | palmgreen | | | | | FSJ | brown nat./brown nat. | | | |
| | 9S5 | terracotta | | | | (15) | 997 555 072 01 | side trim panel leather | /R | 1 | I981 |
| | 9V6 | cocoa | | | | | FSA | black/grey | | | |
| | D12 | dark grey/natural | | | | | FSB | stone grey/stone grey | | | |
| | T12 | brown/natural | | | | | FSC | sand beige/sand beige | | | |
| (14) | 997 555 184 01 | lining b-pillar leather | /R | 1 | I981 | | FSD | seeblue/grey | | | |
| | A11 | black | | | | | FSE | palm-green/palm-green | | | |
| | | | | | | | FSF | terrakotta/terrakotta | | | |
| | | | | | | | FSG | cocoa/cocoa | | | |
| | | | | | | | FSH | darkgrey natural/grey | | | |

| | | | | | | | | | | | |
|-------|------|----|----|--------------|--------------|--------|------|------------|---------|-----|---------|
| Model | Year | MG | SG | Illustration | Restrictions | Update | 9:58 | 30.08.2006 | PORSCHE | PET | PORSCHE |
| 997t | 07 | 8 | 07 | 807-05 | | 203 | | | | | |

| Pos | Part Number | Name | Remarks | Qty | Model | Pos | Part Number | Name | Remarks | Qty | Model |
|------|----------------|--|---------|-----|-------|------|----------------|--------------------------------|---------|-----|-------|
| | | FSJ brown nat./brown nat. | | | | | A03 | black | | | |
| 15 | 997 555 071 06 | side trim panel bicolor | /L | 1 | I970 | | 5V7 | stone grey | | | |
| | BCG | black/stone grey | | | | | 5Z1 | sand beige | | | |
| | BCH | black/sand beige | | | | | 8W7 | sea blue | | | |
| | BCJ | black/terracotta | | | | | 5Y2 | palmgreen | | | |
| (15) | 997 555 072 06 | side trim panel bicolor | /R | 1 | I970 | | 8X8 | terracotta | | | |
| | BCG | black/stone grey | | | | | 8P9 | cocoa | | | |
| | BCH | black/sand beige | | | | 22 | 997 555 061 00 | rose seat belt lacquered | /L | 1 | |
| | BCJ | black/terracotta | | | | | T13 | brown/natural | | | |
| 16 | 999 507 676 09 | clamp 2,5/2,2 | | 2 | | | A03 | black | | | |
| 17 | 999 551 609 40 | plastic washer 8,0 X 23 X 3,0 | | 2 | | | 5V7 | stone grey | | | |
| 18 | 999 507 533 02 | clamp 8.0 X 10 /2,5 | | 1 | | | 5Z1 | sand beige | | | |
| 19 | 999 507 050 40 | expander nut ST 4,2 | | 2 | | | 8W7 | sea blue | | | |
| 20 | 999 073 142 09 | tapping screw ST 4,2 X 19 | | 2 | | | 5Y2 | palmgreen | | | |
| 21 | 997 555 049 00 | loudspeaker grille side trim panel lacquered | /L | 1 | | | 8X8 | terracotta | | | |
| | A03 | black | | | | (22) | 997 555 062 00 | rose seat belt lacquered | /R | 1 | |
| | 5V7 | stone grey | | | | | A03 | black | | | |
| | 5Z1 | sand beige | | | | | 5V7 | stone grey | | | |
| | 8W7 | sea blue | | | | | 5Z1 | sand beige | | | |
| | 5Y2 | palmgreen | | | | | 8W7 | sea blue | | | |
| | 8X8 | terracotta | | | | | 5Y2 | palmgreen | | | |
| | 8P9 | cocoa | | | | | 8X8 | terracotta | | | |
| | T13 | brown/natural | | | | | 8P9 | cocoa | | | |
| (21) | 997 555 050 00 | loudspeaker grille side trim panel lacquered | /R | 1 | | 23 | 997 555 573 00 | coat hook lacquered | /L | 1 | |
| | | | | | | | T13 | brown/natural | | | |

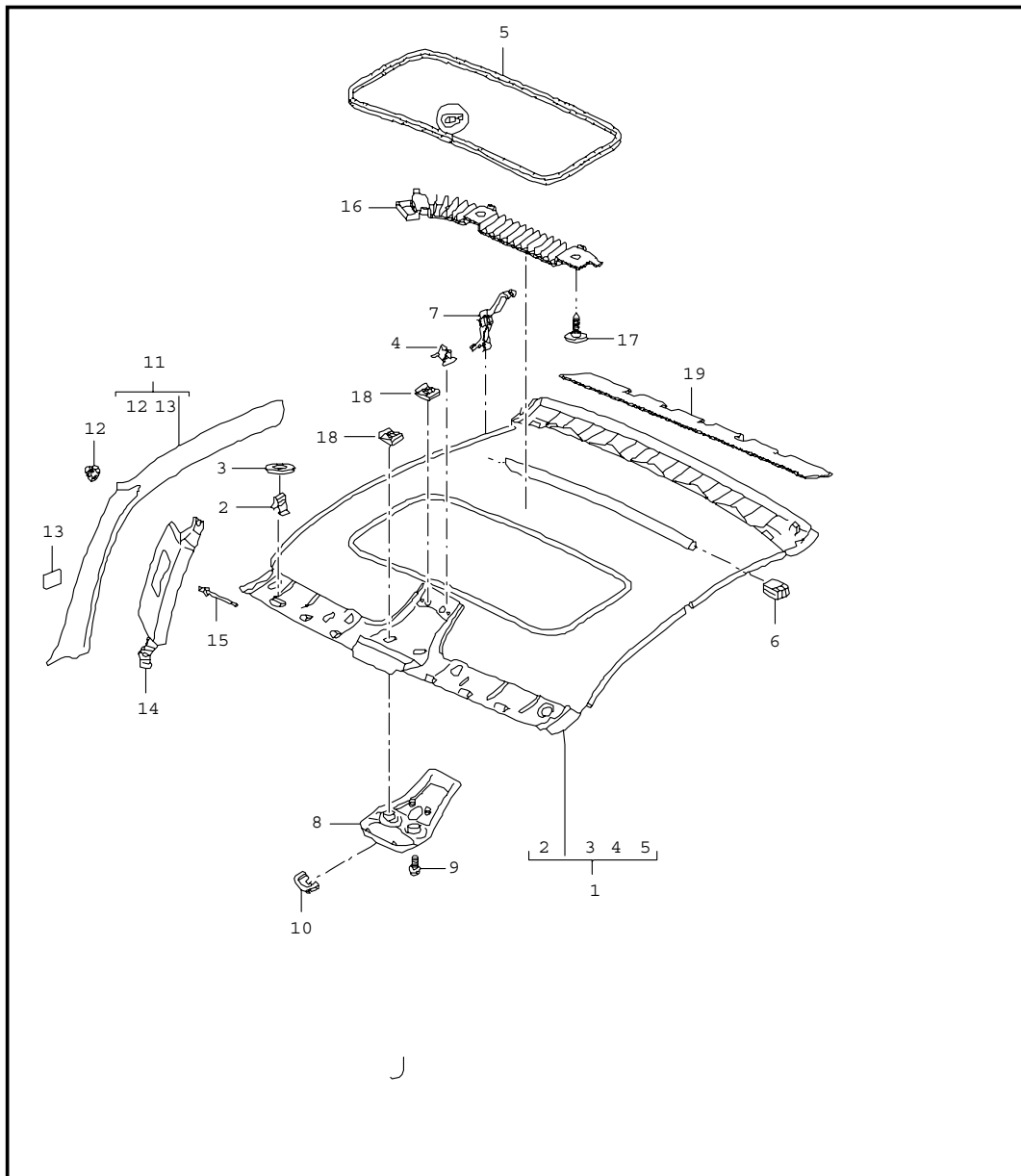
| | | | | | | | | | | | |
|-------|------|----|----|--------------|--------------|--------|------|------------|---------|-----|---------|
| Model | Year | MG | SG | Illustration | Restrictions | Update | 9:58 | 30.08.2006 | PORSCHE | PET | PORSCHE |
| 997t | 07 | 8 | 07 | 807-05 | | 203 | | | | | |

| Pos | Part Number | Name | Remarks | Qty | Model | Pos | Part Number | Name | Remarks | Qty | Model |
|------|----------------|----------------------------------|---------|-----|-------|------|----------------|----------------------------------|---------|-----|----------|
| (23) | A03 | black | /R | 1 | | (25) | 997 551 031 09 | adhesive carpet rear wall carpet | | 1 | I490 |
| | 5V7 | stone grey | | | | | A10 | black | | | |
| | 5Z1 | sand beige | | | | | B10 | stone grey | | | |
| | 8W7 | sea blue | | | | | T10 | sand beige | | | |
| | 5Y2 | palmgreen | | | | | E10 | sea blue | | | |
| | 8X8 | terracotta | | | | | J10 | palmgreen | | | |
| | 8P9 | cocoa | | | | | M10 | terracotta | | | |
| | T13 | brown/natural | | | | | R10 | cocoa | | | |
| | 997 555 574 00 | coat hook lacquered | | | | | D11 | dark grey/natural | | | |
| | A03 | black | | | | | T11 | brown/natural | | | |
| 24 | 5V7 | stone grey | | 1 | | (25) | 997 551 031 09 | adhesive carpet rear wall carpet | | 1 | I680 |
| | 5Z1 | sand beige | | | | | A10 | black | | | |
| | 8W7 | sea blue | | | | | B10 | stone grey | | | |
| | 5Y2 | palmgreen | | | | | T10 | sand beige | | | |
| | 8X8 | terracotta | | | | | E10 | sea blue | | | |
| | 8P9 | cocoa | | | | | J10 | palmgreen | | | |
| | T13 | brown/natural | | | | | M10 | terracotta | | | |
| | 997 551 017 00 | adhesive carpet seat well carpet | | | | | R10 | cocoa | | | |
| | A10 | black | | | | | D11 | dark grey/natural | | | |
| | B10 | stone grey | | | | | T11 | brown/natural | | | |
| | T10 | sand beige | | 1 | | (25) | 997 551 031 10 | adhesive carpet rear wall carpet | | 1 | I479/680 |
| | E10 | sea blue | | | | | A10 | black | | | |
| | J10 | palmgreen | | | | | B10 | stone grey | | | |
| | M10 | terracotta | | | | | T10 | sand beige | | | |
| | R10 | cocoa | | | | | E10 | sea blue | | | |
| | D11 | dark grey/natural | | | | | J10 | palmgreen | | | |
| | T11 | brown/natural | | | | | | | | | |

| | | | | | | | | | | | |
|-------|------|----|----|--------------|--------------|--------|------|------------|---------|-----|---------|
| Model | Year | MG | SG | Illustration | Restrictions | Update | 9:58 | 30.08.2006 | PORSCHE | PET | PORSCHE |
| 997t | 07 | 8 | 07 | 807-05 | | 203 | | | | | |

| Pos | Part Number | Name | Remarks | Qty | Model | Pos | Part Number | Name | Remarks | Qty | Model |
|------|----------------|---|---------|-----|-------|-----|-------------|------|---------|-----|-------|
| | M10 | terracotta | | | | | | | | | |
| | R10 | cocoa | | | | | | | | | |
| | D11 | dark grey/natural | | | | | | | | | |
| | T11 | brown/natural | | | | | | | | | |
| -- | 996 551 561 00 | desk pad | | 1 | | | | | | | |
| 26 | 996 551 305 00 | logo | | 1 | | | | | | | |
| (26) | 997 551 033 01 | lining control units carpet | | 1 | I680 | | | | | | |
| | A10 | black | | | | | | | | | |
| | B10 | stone grey | | | | | | | | | |
| | T10 | sand beige | | | | | | | | | |
| | E10 | sea blue | | | | | | | | | |
| | J10 | palmgreen | | | | | | | | | |
| | M10 | terracotta | | | | | | | | | |
| | R10 | cocoa | | | | | | | | | |
| | D11 | dark grey/natural | | | | | | | | | |
| | T11 | brown/natural | | | | | | | | | |
| 27 | 997 551 525 00 | cover seat-belt buckle | /L | 1 | | | | | | | |
| | 01C | black | | | | | | | | | |
| (27) | 997 551 526 00 | cover seat-belt buckle | /R | 1 | | | | | | | |
| | 01C | black | | | | | | | | | |
| 29 | 999 507 476 01 | clamp 8,0 x 10 / 2,5 mount coat hook | | 2 | | | | | | | |
| | | - - - E N D - - - | | | | | | | | | |

| | | | | | | | | | | | |
|-------|------|----|----|--------------|--------------|--------|------|------------|---------|-----|---------|
| Model | Year | MG | SG | Illustration | Restrictions | Update | 9:58 | 30.08.2006 | PORSCHE | PET | PORSCHE |
| 997t | 07 | 8 | 07 | 807-08 | | 203 | | | | | |



| Pos | Part Number | Name | Remarks | Qty | Model |
|-----|----------------|-------------------------------------|---------|-----|-----------|
| 1 | 997 555 091 02 | rooflining a-pillar alcantara | | 1 | I652 |
| | A14 | black | | | |
| | B14 | stone grey | | | |
| | T44 | sand beige | | | |
| | G14 | metropole blue | | | |
| | J44 | palmgreen | | | |
| (1) | 997 555 091 03 | rooflining alcantara | | 1 | I650 |
| | A14 | black | | | |
| | B14 | stone grey | | | |
| | T44 | sand beige | | | |
| | G14 | metropole blue | | | |
| | J44 | palmgreen | | | |
| (1) | 997 555 980 02 | rooflining | | 1 | IXMA/I652 |
| | A11 | black | | | |
| | 5X6 | stone grey | | | |
| | 8G2 | sand beige | | | |
| | 3S9 | sea blue | | | |
| | 4P2 | palmgreen | | | |
| | 9S5 | terracotta | | | |
| | 9V6 | cocoa | | | |
| | D12 | dark grey/natural | | | |
| | T12 | brown/natural | | | |
| (1) | 997 555 980 03 | rooflining | | 1 | IXMA/I650 |
| | A11 | black | | | |
| | 5X6 | stone grey | | | |
| | 8G2 | sand beige | | | |
| | 3S9 | sea blue | | | |

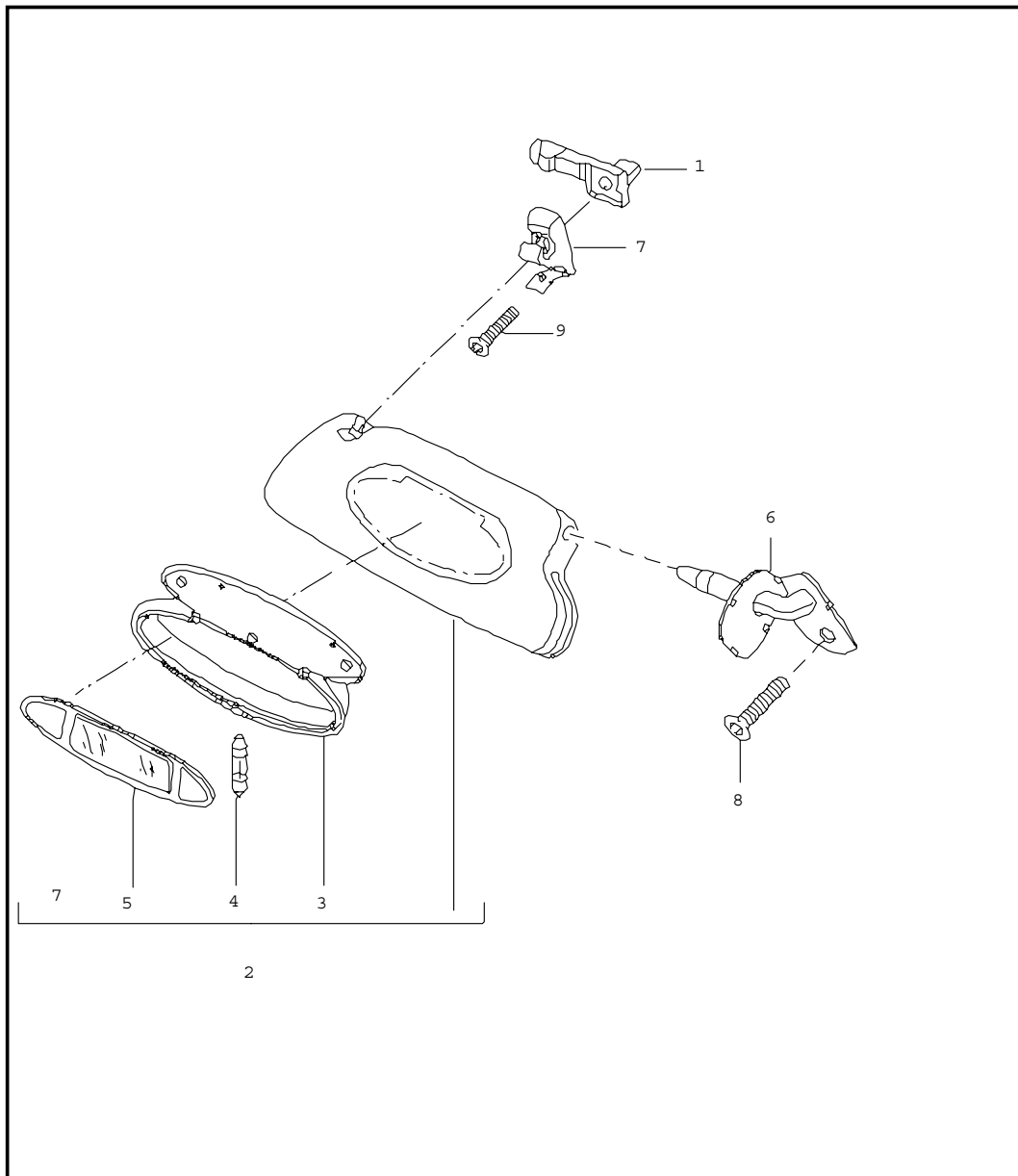
| | | | | | | | | | | | |
|-------|------|----|----|--------------|--------------|--------|------|------------|---------|-----|---------|
| Model | Year | MG | SG | Illustration | Restrictions | Update | 9:58 | 30.08.2006 | PORSCHE | PET | PORSCHE |
| 997t | 07 | 8 | 07 | 807-08 | | 203 | | | | | |

| Pos | Part Number | Name | Remarks | Qty | Model | Pos | Part Number | Name | Remarks | Qty | Model |
|-----|----------------|------------------------------------|---------|-----|-----------|------|----------------|--|---------|-----|-----------|
| | 4P2 | palmgreen | | | | | A11 | black | | | |
| | 9S5 | terracotta | | | | | 5X6 | stone grey | | | |
| | 9V6 | cocoa | | | | | 8G2 | sand beige | | | |
| | D12 | dark grey/natural | | | | | 3S9 | sea blue | | | |
| | T12 | brown/natural | | | | | 4P2 | palmgreen | | | |
| 2 | 999 507 479 09 | clamp 2,5/0,9 | | 6 | | | 9S5 | terracotta | | | |
| 3 | 999 551 609 40 | plastic washer 8,0 X 23 X 3,0 | | 6 | | | 9V6 | cocoa | | | |
| 4 | 999 507 533 02 | clamp 8 X 10/2,5 | | 2 | I650 | | D12 | dark grey/natural | | | |
| 5 | 996 564 231 02 | pipng | | 1 | I650 | (8) | 996 555 993 03 | cover interior light leather | | 1 | IXZD/I652 |
| 6 | 997 555 823 00 | support transverse strut | | 2 | I650 | | A11 | black | | | |
| 7 | 996 555 691 02 | clip mount rooflining | | 8 | | | 5X6 | stone grey | | | |
| (8) | 996 555 557 09 | cover interior light | | 1 | I650 | | 8G2 | sand beige | | | |
| | A03 | black | | | | | 3S9 | sea blue | | | |
| | 5V7 | stone grey | | | | | 4P2 | palmgreen | | | |
| | 5Z1 | sand beige | | | | | 9S5 | terracotta | | | |
| | 8W7 | sea blue | | | | | 9V6 | cocoa | | | |
| | 5Y2 | palmgreen | | | | | D12 | dark grey/natural | | | |
| 8 | 996 555 557 11 | cover interior light | | 1 | I652 | 9 | 999 073 061 02 | tapping screw 4,8 X 16 | | | X |
| | A03 | black | | | | 10 | 996 555 619 00 | grommet wiring harness rain sensor | | | 1 |
| | 5V7 | stone grey | | | | (11) | 997 555 181 05 | lining a-pillar leather | /L | | 1 I981 |
| | 5Z1 | sand beige | | | | | A11 | black | | | |
| | 8W7 | sea blue | | | | | 5X6 | stone grey | | | |
| | 5Y2 | palmgreen | | | | | 8G2 | sand beige | | | |
| (8) | 996 555 993 02 | cover interior light leather | | 1 | IXZD/I650 | | 3S9 | sea blue | | | |

| | | | | | | | | | | | |
|-------|------|----|----|--------------|--------------|--------|------|------------|---------|-----|---------|
| Model | Year | MG | SG | Illustration | Restrictions | Update | 9:58 | 30.08.2006 | PORSCHE | PET | PORSCHE |
| 997t | 07 | 8 | 07 | 807-08 | | 203 | | | | | |

| Pos | Part Number | Name | Remarks | Qty | Model | Pos | Part Number | Name | Remarks | Qty | Model |
|------|----------------|-------------------------------------|---------|-----|-------|-----|-------------|------|---------|-----|-------|
| | 4P2 | palmgreen | | | | | | | | | |
| | 9S5 | terracotta | | | | | | | | | |
| | 9V6 | cocoa | | | | | | | | | |
| | D12 | dark grey/natural | | | | | | | | | |
| | T12 | brown/natural | | | | | | | | | |
| (11) | 997 555 182 05 | lining a-pillar leather | /R | 1 | I981 | | | | | | |
| | A11 | black | | | | | | | | | |
| | 5X6 | stone grey | | | | | | | | | |
| | 8G2 | sand beige | | | | | | | | | |
| | 3S9 | sea blue | | | | | | | | | |
| | 4P2 | palmgreen | | | | | | | | | |
| | 9S5 | terracotta | | | | | | | | | |
| | 9V6 | cocoa | | | | | | | | | |
| | D12 | dark grey/natural | | | | | | | | | |
| | T12 | brown/natural | | | | | | | | | |
| 12 | 999 507 681 09 | clamp 2,5/3,0 | | 5 | | | | | | | |
| (12) | 999 507 839 01 | clamp 3,5 | | 2 | | | | | | | |
| (12) | 999 507 047 09 | clamp 3,6 | | 3 | | | | | | | |
| 13 | 999 551 134 40 | adhesive tape 20 X 65 | | 5 | | | | | | | |
| 15 | 999 190 184 01 | blind rivet 4,0 X 8,5 | | 8 | | | | | | | |
| 18 | 999 591 348 02 | speed nut St 4,8 | | X | | | | | | | |
| 19 | 997 556 603 00 | sound absorber tensioner rear | | 1 | | | | | | | |
| | | - - - E N D - - - | | | | | | | | | |

| | | | | | | | | | | | |
|-------|------|----|----|--------------|--------------|--------|------|------------|---------|-----|---------|
| Model | Year | MG | SG | Illustration | Restrictions | Update | 9:59 | 30.08.2006 | PORSCHE | PET | PORSCHE |
| 997t | 07 | 8 | 07 | 807-09 | | 203 | | | | | |

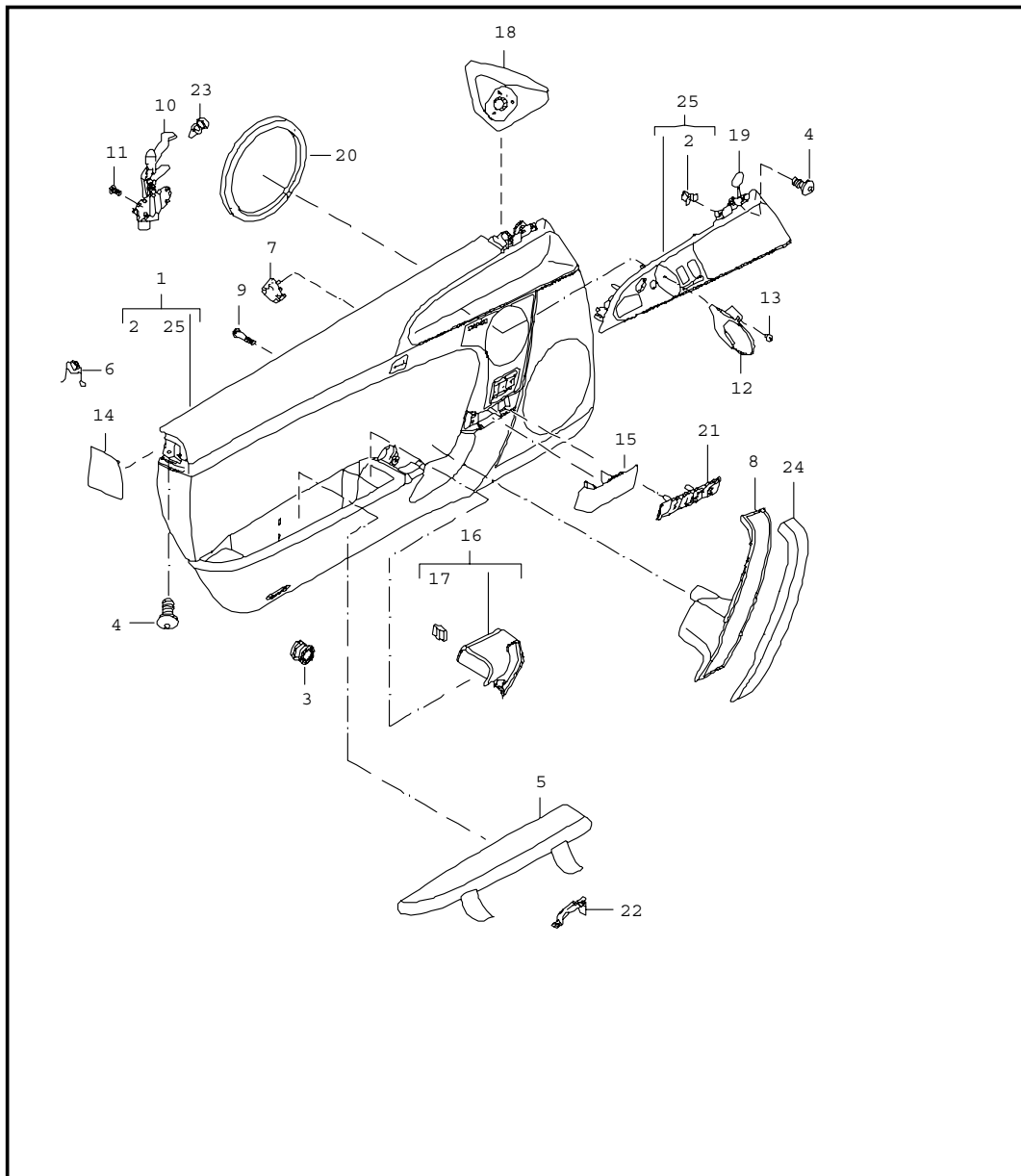


| Pos | Part Number | Name | Remarks | Qty | Model |
|-----|----------------|--|---------|-----|-------|
| 1 | 986 731 541 01 | sun visors plate for sun visors | | 2 | |
| (2) | 997 731 031 00 | sun visor leatherette | /L | 1 | |
| | A12 | black | | | |
| | 8W4 | stone grey | | | |
| | 7E3 | sand beige | | | |
| | 8Z5 | sea blue | | | |
| | 7W3 | palmgreen | | | |
| (2) | 997 731 032 00 | sun visor leatherette | /R | 1 | |
| | A12 | black | | | |
| | 8W4 | stone grey | | | |
| | 7E3 | sand beige | | | |
| | 8Z5 | sea blue | | | |
| | 7W3 | palmgreen | | | |
| (2) | 997 731 981 00 | sun visor | /L | 1 | XMP |
| (2) | 997 731 982 00 | sun visor | /R | 1 | XMP |
| 3 | 996 731 903 00 | mirror housing with illumination | | 1 | |
| | 01C | satin black | | | |
| 4 | 999 631 147 90 | bulb 3 W | | 4 | |
| 5 | 996 731 531 01 | mirror glass with frame | | 2 | |
| | 01C | satin black | | | |
| (6) | 997 731 461 00 | mounting | /L | 1 | COUPE |
| | 01C | satin black | | | |
| (6) | 997 731 462 00 | mounting | /R | 1 | COUPE |
| | 01C | satin black | | | |

| | | | | | | | | | | | |
|-------|------|----|----|--------------|--------------|--------|------|------------|---------|-----|---------|
| Model | Year | MG | SG | Illustration | Restrictions | Update | 9:59 | 30.08.2006 | PORSCHE | PET | PORSCHE |
| 997t | 07 | 8 | 07 | 807-09 | | 203 | | | | | |

| Pos | Part Number | Name | Remarks | Qty | Model | Pos | Part Number | Name | Remarks | Qty | Model |
|-----|----------------|-----------------------------|---------|-----|-------|-----|-------------|------|---------|-----|-------|
| 7 | 996 731 341 00 | support sun visor | /L | 1 | | | | | | | |
| | 01C | satin black | | | | | | | | | |
| (7) | 996 731 342 00 | support sun visor | /R | 1 | | | | | | | |
| | 01C | satin black | | | | | | | | | |
| 8 | 999 073 326 09 | oval-head screw M 5 x 10 | | 2 | COUPE | | | | | | |
| (8) | 999 500 093 02 | nut M 5 | | 2 | COUPE | | | | | | |
| 9 | 999 919 120 09 | oval-head screw 4,0 X 18 | | 1 | | | | | | | |
| | | - - - E N D - - - | | | | | | | | | |

| | | | | | | | | | | | |
|-------|------|----|----|--------------|--------------|--------|------|------------|---------|-----|---------|
| Model | Year | MG | SG | Illustration | Restrictions | Update | 9:59 | 30.08.2006 | PORSCHE | PET | PORSCHE |
| 997t | 07 | 8 | 07 | 807-10 | | 203 | | | | | |



| Pos | Part Number | Name | Remarks | Qty | Model |
|-----|----------------|-----------------------------|---------|-----|--------------|
| 1 | 997 555 201 07 | door trim panel accessories | /L | 1 | I490/537/981 |
| | | FSA black | | | |
| | | FSB stone grey | | | |
| | | FSC sand beige | | | |
| | | FSD sea blue | | | |
| | | FSE palmgreen | | | |
| | | FSF terracotta | | | |
| | | FSG cocoa | | | |
| | | FSH dark grey/natural | | | |
| | | FSJ brown/natural | | | |
| | | BCD black/stone grey | | | |
| | | BCE black/sand beige | | | |
| | | BCF black/terracotta | | | |
| (1) | 997 555 201 11 | door trim panel leather | /L | 1 | I537/680/981 |
| | | FSA black | | | |
| | | FSB stone grey | | | |
| | | FSC sand beige | | | |
| | | FSD sea blue | | | |
| | | FSE palmgreen | | | |
| | | FSF terracotta | | | |
| | | FSG cocoa | | | |
| | | FSH dark grey/natural | | | |
| | | FSJ brown/natural | | | |
| | | BCD black/stone grey | | | |
| | | BCE black/sand beige | | | |
| | | BCF black/terracotta | | | |

| | | | | | | | | | | | |
|-------|------|----|----|--------------|--------------|--------|------|------------|---------|-----|---------|
| Model | Year | MG | SG | Illustration | Restrictions | Update | 9:59 | 30.08.2006 | PORSCHE | PET | PORSCHE |
| 997t | 07 | 8 | 07 | 807-10 | | 203 | | | | | |

| Pos | Part Number | Name | Remarks | Qty | Model | Pos | Part Number | Name | Remarks | Qty | Model |
|-----|----------------|-------------------------|---------|-----|--------------|-----|----------------|-------------------------|---------|-----|--------------|
| (1) | 997 555 202 27 | door trim panel leather | /LL/R | 1 | I098/490/981 | | FSB | stone grey | | | |
| | FSA | black | | | | | FSC | sand beige | | | |
| | FSB | stone grey | | | | | FSD | sea blue | | | |
| | FSC | sand beige | | | | | FSE | palmgreen | | | |
| | FSD | sea blue | | | | | FSF | terracotta | | | |
| | FSE | palmgreen | | | | | FSG | cocoa | | | |
| | FSF | terracotta | | | | | FSH | dark grey/natural | | | |
| | FSG | cocoa | | | | | FSJ | brown/natural | | | |
| | FSH | dark grey/natural | | | | | BCD | black/stone grey | | | |
| | FSJ | brown/natural | | | | | BCE | black/sand beige | | | |
| | BCD | black/stone grey | | | | | BCF | black/terracotta | | | |
| | BCE | black/sand beige | | | | (1) | 997 555 202 11 | door trim panel leather | /R | 1 | I538/680/981 |
| | BCF | black/terracotta | | | | | FSA | black | | | |
| (1) | 997 555 202 29 | door trim panel leather | /LL/R | 1 | I098/680/981 | | FSB | stone grey | | | |
| | FSA | black | | | | | FSC | sand beige | | | |
| | FSB | stone grey | | | | | FSD | sea blue | | | |
| | FSC | sand beige | | | | | FSE | palmgreen | | | |
| | FSD | sea blue | | | | | FSF | terracotta | | | |
| | FSE | palmgreen | | | | | FSG | cocoa | | | |
| | FSF | terracotta | | | | | FSH | dark grey/natural | | | |
| | FSG | cocoa | | | | | FSJ | brown/natural | | | |
| | FSH | dark grey/natural | | | | | BCD | black/stone grey | | | |
| | FSJ | brown/natural | | | | | BCE | black/sand beige | | | |
| | BCD | black/stone grey | | | | | BCF | black/terracotta | | | |
| | BCE | black/sand beige | | | | (1) | 997 555 201 27 | door trim panel leather | /RL/L | 1 | I099/490/981 |
| | BCF | black/terracotta | | | | | FSA | black | | | |
| (1) | 997 555 202 07 | door trim panel leather | /R | 1 | I490/538/981 | | FSB | stone grey | | | |
| | FSA | black | | | | | FSC | sand beige | | | |

| | | | | | | | | | | | |
|-------|------|----|----|--------------|--------------|--------|------|------------|---------|-----|---------|
| Model | Year | MG | SG | Illustration | Restrictions | Update | 9:59 | 30.08.2006 | PORSCHE | PET | PORSCHE |
| 997t | 07 | 8 | 07 | 807-10 | | 203 | | | | | |

| Pos | Part Number | Name | Remarks | Qty | Model | Pos | Part Number | Name | Remarks | Qty | Model |
|-----|----------------|--|---------|-----|--------------|-----|----------------|--------------------|---------|-----|-------|
| | FSD | sea blue | | | | 5 | 997 555 221 01 | cover shelf | /L | 1 | |
| | FSE | palmgreen | | | | | FSA | black | | | |
| | FSF | terracotta | | | | | FSB | stone grey | | | |
| | FSG | cocoa | | | | | FSC | sand beige | | | |
| | FSH | dark grey/natural | | | | | FSD | sea blue | | | |
| | FSJ | brown/natural | | | | | FSE | palmgreen | | | |
| | BCD | black/stone grey | | | | | FSF | terracotta | | | |
| | BCE | black/sand beige | | | | | FSG | cocoa | | | |
| | BCF | black/terracotta | | | | | FSH | dark grey/natural | | | |
| (1) | 997 555 201 29 | door trim panel leather | /RL/L | 1 | I099/680/981 | | FSJ | brown/natural | | | |
| | FSA | black | | | | (5) | 997 555 222 01 | cover shelf | /R | 1 | |
| | FSB | stone grey | | | | | FSA | black | | | |
| | FSC | sand beige | | | | | FSB | stone grey | | | |
| | FSD | sea blue | | | | | FSC | sand beige | | | |
| | FSE | palmgreen | | | | | FSD | sea blue | | | |
| | FSF | terracotta | | | | | FSE | palmgreen | | | |
| | FSG | cocoa | | | | | FSF | terracotta | | | |
| | FSH | dark grey/natural | | | | | FSG | cocoa | | | |
| | FSJ | brown/natural | | | | | FSH | dark grey/natural | | | |
| | BCD | black/stone grey | | | | | FSJ | brown/natural | | | |
| | BCE | black/sand beige | | | | (5) | 997 555 989 00 | cover shelf carbon | /L | 1 | XTL |
| | BCF | black/terracotta | | | | | A35 | black | | | |
| 2 | 999 507 533 02 | clamp 8,0X 10/2,5 | | 2 | | (5) | 997 555 990 00 | cover shelf carbon | /R | 1 | XTL |
| 3 | 955 555 243 00 | fixing clip for mount door trim panel | | 9 | | | A35 | black | | | |
| 4 | 999 073 322 02 | oval-head screw M 6 X 20 for mount door trim panel | | 5 | | (5) | 997 555 989 01 | cover shelf | /L | 1 | XTU |
| | | | | | | | S62 | sycamore wood | | | |

| | | | | | | | | | | | |
|-------|------|----|----|--------------|--------------|--------|------|------------|---------|-----|---------|
| Model | Year | MG | SG | Illustration | Restrictions | Update | 9:59 | 30.08.2006 | PORSCHE | PET | PORSCHE |
| 997t | 07 | 8 | 07 | 807-10 | | 203 | | | | | |

| Pos | Part Number | Name | Remarks | Qty | Model | Pos | Part Number | Name | Remarks | Qty | Model |
|-----|----------------|------------------------|---------|-----|-------|------|----------------|---|---------|-----|-------|
| (5) | 997 555 990 01 | cover shelf | /R | 1 | XTU | (8) | 997 555 262 01 | handle lower part | /R | 1 | |
| | S62 | sycamore wood | | | | | A11 | black | | | |
| (5) | 997 555 989 02 | cover shelf | /L | 1 | XTT | | 5X6 | stone grey | | | |
| | S61 | makassar | | | | | 8G2 | sand beige | | | |
| (5) | 997 555 990 02 | cover shelf | /R | 1 | XTT | | 3S9 | sea blue | | | |
| | S61 | makassar | | | | | 4P2 | palmgreen | | | |
| (5) | 997 555 989 03 | cover shelf | /L | 1 | XTW | | 9S5 | terracotta | | | |
| | V04 | galvano silver | | | | | 9V6 | cocoa | | | |
| (5) | 997 555 990 03 | cover shelf | /R | 1 | XTW | | D12 | dark grey/natural | | | |
| | V04 | galvano silver | | | | | T12 | brown/natural | | | |
| 6 | 997 555 833 00 | spring for cover shelf | /L | 1 | | 9 | 999 919 229 02 | oval-head screw 6,0 X 40,0 for mount handle | | 2 | |
| (6) | 997 555 834 00 | spring for cover shelf | /R | 1 | | 10 | 997 555 381 01 | mounting for shaft | /L | 1 | |
| 7 | 997 555 841 00 | damper shelf | | 1 | | (10) | 997 555 382 01 | mounting for shaft | /R | 1 | |
| (8) | 997 555 261 01 | handle lower part | /L | 1 | | 11 | 999 919 164 09 | oval-head screw 5 X 12 for mount mounting for shaft | | 3 | |
| | A11 | black | | | | 12 | 997 555 461 00 | lever door opener | /L | 1 | |
| | 5X6 | stone grey | | | | | V05 | galvano silver | | | |
| | 8G2 | sand beige | | | | (12) | 997 555 462 00 | lever door opener | /R | 1 | |
| | 3S9 | sea blue | | | | | V05 | galvano silver | | | |
| | 4P2 | palmgreen | | | | 13 | 999 919 164 09 | oval-head screw 5 X 12 for mount lever door opener | | 1 | |
| | 9S5 | terracotta | | | | | | | | | |
| | 9V6 | cocoa | | | | 14 | 997 555 683 00 | cap airbag | /L | 1 | |
| | D12 | dark grey/natural | | | | | A03 | black | | | |
| | T12 | brown/natural | | | | | | | | | |

| | | | | | | | | | | | |
|-------|------|----|----|--------------|--------------|--------|------|------------|---------|-----|---------|
| Model | Year | MG | SG | Illustration | Restrictions | Update | 9:59 | 30.08.2006 | PORSCHE | PET | PORSCHE |
| 997t | 07 | 8 | 07 | 807-10 | | 203 | | | | | |

| Pos | Part Number | Name | Remarks | Qty | Model | Pos | Part Number | Name | Remarks | Qty | Model |
|------|----------------|-----------------------------|---------|-----|-------|------|----------------|-----------------------|---------|-----|-------|
| | | 5V7 stone grey | | | | | | 5V7 stone grey | | | |
| | | 5Z1 sand beige | | | | | | 5Z1 sand beige | | | |
| | | 8W7 sea blue | | | | | | 8W7 sea blue | | | |
| | | 5Y2 palmgreen | | | | | | 5Y2 palmgreen | | | |
| | | 8X8 terracotta | | | | | | 8X8 terracotta | | | |
| | | 8P9 cocoa | | | | | | 8P9 cocoa | | | |
| | | T13 brown/natural | | | | | | T13 brown/natural | | | |
| (14) | 997 555 684 00 | cap airbag | /R | 1 | | 16 | 997 555 431 01 | cover door handle | /L | 1 | |
| | | A03 black | | | | | | FSA black | | | |
| | | 5V7 stone grey | | | | | | FSB stone grey | | | |
| | | 5Z1 sand beige | | | | | | FSC sand beige | | | |
| | | 8W7 sea blue | | | | | | FSD sea blue | | | |
| | | 5Y2 palmgreen | | | | | | FSE palmgreen | | | |
| | | 8X8 terracotta | | | | | | FSF terracotta | | | |
| | | 8P9 cocoa | | | | | | FSG cocoa | | | |
| | | T13 brown/natural | | | | | | FSH dark grey/natural | | | |
| 15 | 997 555 643 01 | cover front lacquered | /L | 1 | | | | FSJ brown/natural | | | |
| | | A03 black | | | | (16) | 997 555 432 01 | cover door handle | /R | 1 | |
| | | 5V7 stone grey | | | | | | FSA black | | | |
| | | 5Z1 sand beige | | | | | | FSB stone grey | | | |
| | | 8W7 sea blue | | | | | | FSC sand beige | | | |
| | | 5Y2 palmgreen | | | | | | FSD sea blue | | | |
| | | 8X8 terracotta | | | | | | FSE palmgreen | | | |
| | | 8P9 cocoa | | | | | | FSF terracotta | | | |
| | | T13 brown/natural | | | | | | FSG cocoa | | | |
| (15) | 997 555 644 01 | cover front lacquered | /R | 1 | | | | FSH dark grey/natural | | | |
| | | A03 black | | | | | | FSJ brown/natural | | | |

| | | | | | | | | | | | |
|-------|------|----|----|--------------|--------------|--------|------|------------|---------|-----|---------|
| Model | Year | MG | SG | Illustration | Restrictions | Update | 9:59 | 30.08.2006 | PORSCHE | PET | PORSCHE |
| 997t | 07 | 8 | 07 | 807-10 | | 203 | | | | | |

| Pos | Part Number | Name | Remarks | Qty | Model | Pos | Part Number | Name | Remarks | Qty | Model |
|------|----------------|---------------------------------------|---------|-----|-------|------|----------------|---------------------------------------|---------|-----|-------|
| (16) | 997 555 991 00 | cover door handle carbon | /L | 1 | XTL | | D12 | dark grey/natural | | | |
| | A11 | black | | | | | T12 | brown/natural | | | |
| | 5X6 | stone grey | | | | (16) | 997 555 992 01 | cover door handle sycamore wood | /R | 1 | XTU |
| | 8G2 | sand beige | | | | | A11 | black | | | |
| | 3S9 | sea blue | | | | | 5X6 | stone grey | | | |
| | 4P2 | palmgreen | | | | | 8G2 | sand beige | | | |
| | 9S5 | terracotta | | | | | 3S9 | sea blue | | | |
| | 9V6 | cocoa | | | | | 4P2 | palmgreen | | | |
| | T12 | brown/natural | | | | | 9S5 | terracotta | | | |
| (16) | 997 555 992 00 | cover door handle carbon | /R | 1 | XTL | | 9V6 | cocoa | | | |
| | A11 | black | | | | | D12 | dark grey/natural | | | |
| | 5X6 | stone grey | | | | (16) | 997 555 991 02 | cover door handle makassar | /L | 1 | XTT |
| | 8G2 | sand beige | | | | | A11 | black | | | |
| | 3S9 | sea blue | | | | | 5X6 | stone grey | | | |
| | 4P2 | palmgreen | | | | | 8G2 | sand beige | | | |
| | 9S5 | terracotta | | | | | 3S9 | sea blue | | | |
| | 9V6 | cocoa | | | | | 4P2 | palmgreen | | | |
| | T12 | brown/natural | | | | | 9S5 | terracotta | | | |
| (16) | 997 555 991 01 | cover door handle sycamore wood | /L | 1 | XTU | | 9V6 | cocoa | | | |
| | A11 | black | | | | | D12 | dark grey/natural | | | |
| | 5X6 | stone grey | | | | | T12 | brown/natural | | | |
| | 8G2 | sand beige | | | | (16) | 997 555 992 02 | cover door handle makassar | /R | 1 | XTT |
| | 3S9 | sea blue | | | | | A11 | black | | | |
| | 4P2 | palmgreen | | | | | 5X6 | stone grey | | | |
| | 9S5 | terracotta | | | | | 8G2 | sand beige | | | |
| | 9V6 | cocoa | | | | | | | | | |

| | | | | | | | | | | | |
|-------|------|----|----|--------------|--------------|--------|------|------------|---------|-----|---------|
| Model | Year | MG | SG | Illustration | Restrictions | Update | 9:59 | 30.08.2006 | PORSCHE | PET | PORSCHE |
| 997t | 07 | 8 | 07 | 807-10 | | 203 | | | | | |

| Pos | Part Number | Name | Remarks | Qty | Model | Pos | Part Number | Name | Remarks | Qty | Model |
|-----------------------|----------------|-----------------------|---------|-----|-------|------|----------------|-------------------|---------|-----|-------|
| (16) | 997 555 991 03 | 3S9 sea blue | /L | 1 | XTW | (18) | 997 555 685 02 | cover | /LL | 1 | I098 |
| | | 4P2 palmgreen | | | | | | door mirror | | | |
| | | 9S5 terracotta | | | | | | driver's side | | | |
| | | 9V6 cocoa | | | | | | lacquered | | | |
| | | D12 dark grey/natural | | | | | | A03 black | | | |
| | | T12 brown/natural | | | | | | 5V7 stone grey | | | |
| | | cover | | | | | | 5Z1 sand beige | | | |
| | | door handle | | | | | | 8W7 sea blue | | | |
| | | aluminium look | | | | | | 5Y2 palmgreen | | | |
| | | A11 black | | | | | | 8X8 terracotta | | | |
| | | 5X6 stone grey | | | | | | 8P9 cocoa | | | |
| | | 8G2 sand beige | | | | | | T13 brown/natural | | | |
| (16) | 997 555 992 03 | 3S9 sea blue | /R | 1 | XTW | (18) | 997 555 686 03 | cover | /RL | 1 | I099 |
| | | 4P2 palmgreen | | | | | | door mirror | | | |
| | | 9S5 terracotta | | | | | | driver's side | | | |
| | | 9V6 cocoa | | | | | | lacquered | | | |
| | | D12 dark grey/natural | | | | | | A03 black | | | |
| | | T12 brown/natural | | | | | | 5V7 stone grey | | | |
| | | cover | | | | | | 5Z1 sand beige | | | |
| | | door handle | | | | | | 8W7 sea blue | | | |
| | | aluminium look | | | | | | 5Y2 palmgreen | | | |
| | | A11 black | | | | | | 8X8 terracotta | | | |
| | | 5X6 stone grey | | | | | | 8P9 cocoa | | | |
| | | 8G2 sand beige | | | | | | T13 brown/natural | | | |
| (16) | 997 555 992 03 | 3S9 sea blue | /R | 1 | XTW | (18) | 997 555 686 02 | cover | /LL | 1 | I098 |
| | | 4P2 palmgreen | | | | | | door mirror | | | |
| | | 9S5 terracotta | | | | | | passenger's side | | | |
| | | 9V6 cocoa | | | | | | lacquered | | | |
| | | D12 dark grey/natural | | | | | | A03 black | | | |
| | | T12 brown/natural | | | | | | 5V7 stone grey | | | |
| | | cover | | | | | | 5Z1 sand beige | | | |
| | | door handle | | | | | | 8W7 sea blue | | | |
| | | aluminium look | | | | | | 5Y2 palmgreen | | | |
| | | A11 black | | | | | | 8X8 terracotta | | | |
| | | 5X6 stone grey | | | | | | | | | |
| | | 8G2 sand beige | | | | | | | | | |
| 3S9 sea blue | | | | | | | | | | | |
| 4P2 palmgreen | | | | | | | | | | | |
| 9S5 terracotta | | | | | | | | | | | |
| 9V6 cocoa | | | | | | | | | | | |
| D12 dark grey/natural | | | | | | | | | | | |
| T12 brown/natural | | | | | | | | | | | |
| 17 | 999 591 380 02 | cable clamp | | 4 | | | | | | | |

| | | | | | | | | | | | |
|-------|------|----|----|--------------|--------------|--------|------|------------|---------|-----|---------|
| Model | Year | MG | SG | Illustration | Restrictions | Update | 9:59 | 30.08.2006 | PORSCHE | PET | PORSCHE |
| 997t | 07 | 8 | 07 | 807-10 | | 203 | | | | | |

| Pos | Part Number | Name | Remarks | Qty | Model | Pos | Part Number | Name | Remarks | Qty | Model |
|------|----------------|---|---------|-----|-------|----------------|---------------------------------------|-------------------------------------|---------|------|-------|
| (18) | 8P9 | cocoa | | | | | FSB | stone grey | | | |
| | T13 | brown/natural | | | | | FSC | sand beige | | | |
| | 997 555 685 03 | cover door mirror passenger's side lacquered | /RL | 1 | I099 | | FSD | sea blue | | | |
| | A03 | black | | | | | FSE | palmgreen | | | |
| | 5V7 | stone grey | | | | | FSF | terracotta | | | |
| | 5Z1 | sand beige | | | | | FSG | cocoa | | | |
| | 8W7 | sea blue | | | | | FSH | dark grey/natural | | | |
| | 5Y2 | palmgreen | | | | (24) | 997 555 987 00 | handle upper part | /L | 1 | IXTL |
| | 8X8 | terracotta | | | | | A35 | black | | | |
| | 8P9 | cocoa | | | | (24) | 997 555 988 00 | handle carbon upper part | /R | 1 | IXTL |
| 19 | 997 555 577 00 | cap handle liner | | 1 | | A35 | black | | | | |
| | A03 | black | | | (24) | 997 555 987 01 | handle upper part sycamore wood | /L | 1 | IXTU | |
| | 5V7 | stone grey | | | (24) | 997 555 988 01 | handle upper part sycamore wood | /R | 1 | IXTU | |
| | 8W7 | sea blue | | | (24) | 997 555 987 02 | handle upper part | /L | 1 | IXTT | |
| | 5Y2 | palmgreen | | | | S61 | makassar | | | | |
| | 8X8 | terracotta | | | (24) | 997 555 988 02 | handle upper part | /R | 1 | IXTT | |
| | 8P9 | cocoa | | | | S61 | makassar | | | | |
| 20 | 997 555 895 00 | plastic foam strip for woofer | | 1 | | (24) | 997 555 987 03 | handle upper part | /L | 1 | IXTW |
| 21 | 997 645 511 00 | logo | | 2 | I680 | | V04 | galvano silver | | | |
| 22 | 997 555 597 00 | spacer lid hinge | | 2 | | (24) | 997 555 988 03 | handle upper part | /R | 1 | IXTW |
| 23 | 999 702 281 40 | grommet mounting for shaft | | 1 | | | V04 | galvano silver | | | |
| (24) | 997 555 272 01 | handle upper part | /R | 1 | | 25 | 997 555 351 03 | insert handle liner lacquered | /LL/L | 1 | I098 |
| | FSA | black | | | | | | | | | |

| | | | | | | | | | | | |
|-------|------|----|----|--------------|--------------|--------|------|------------|---------|-----|---------|
| Model | Year | MG | SG | Illustration | Restrictions | Update | 9:59 | 30.08.2006 | PORSCHE | PET | PORSCHE |
| 997t | 07 | 8 | 07 | 807-10 | | 203 | | | | | |

| Pos | Part Number | Name | Remarks | Qty | Model | Pos | Part Number | Name | Remarks | Qty | Model |
|------|----------------|-------------------------------------|---------|-----|-------|------|----------------|-------------------------------------|---------|-----|----------|
| | A03 | black | | | | (25) | 997 555 351 04 | insert handle liner lacquered | /RL/L | 1 | I099 |
| | 5V7 | stone grey | | | | | | | | | |
| | 5Z1 | sand beige | | | | | A03 | black | | | |
| | 8W7 | sea blue | | | | | 5V7 | stone grey | | | |
| | 5Y2 | palmgreen | | | | | 5Z1 | sand beige | | | |
| | 8X8 | terracotta | | | | | 8W7 | sea blue | | | |
| | 8P9 | cocoa | | | | | 5Y2 | palmgreen | | | |
| | T13 | brown/natural | | | | | 8X8 | terracotta | | | |
| 25 | 997 555 352 04 | insert handle liner lacquered | /LL/R | 1 | I098 | | 8P9 | cocoa | | | |
| | A03 | black | | | | | T13 | brown/natural | | | |
| | 5V7 | stone grey | | | | 25 | 997 555 985 00 | insert handle liner leather | /LL/L | 1 | IXTV/098 |
| | 5Z1 | sand beige | | | | | A11 | black | | | |
| | 8W7 | sea blue | | | | | 5X6 | stone grey | | | |
| | 5Y2 | palmgreen | | | | | 8G2 | sand beige | | | |
| | 8X8 | terracotta | | | | | 3S9 | sea blue | | | |
| | 8P9 | cocoa | | | | | 4P2 | palmgreen | | | |
| | T13 | brown/natural | | | | | 9S5 | terracotta | | | |
| (25) | 997 555 352 03 | insert handle liner lacquered | /RL/R | 1 | I099 | | 9V6 | cocoa | | | |
| | A03 | black | | | | | D12 | dark grey/natural | | | |
| | 5V7 | stone grey | | | | | T12 | brown/natural | | | |
| | 5Z1 | sand beige | | | | (25) | 997 555 986 00 | insert handle liner leather | /LL/R | 1 | IXTV/098 |
| | 8W7 | sea blue | | | | | A11 | black | | | |
| | 5Y2 | palmgreen | | | | | 5X6 | stone grey | | | |
| | 8X8 | terracotta | | | | | 8G2 | sand beige | | | |
| | 8P9 | cocoa | | | | | 3S9 | sea blue | | | |
| | T13 | brown/natural | | | | | 4P2 | palmgreen | | | |
| | | | | | | | 9S5 | terracotta | | | |

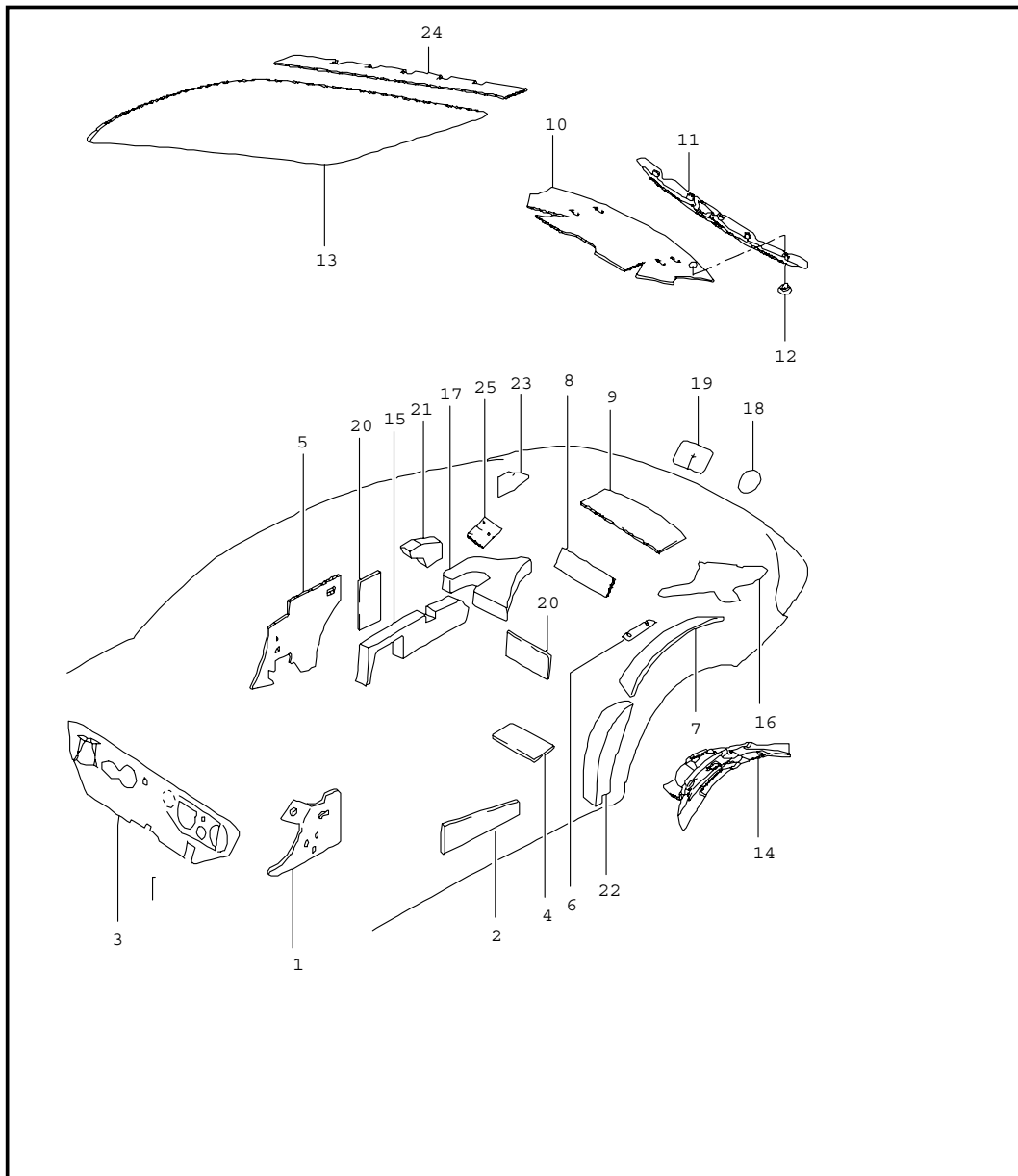
| | | | | | | | | | | | |
|-------|------|----|----|--------------|--------------|--------|------|------------|---------|-----|---------|
| Model | Year | MG | SG | Illustration | Restrictions | Update | 9:59 | 30.08.2006 | PORSCHE | PET | PORSCHE |
| 997t | 07 | 8 | 07 | 807-10 | | 203 | | | | | |

| Pos | Part Number | Name | Remarks | Qty | Model | Pos | Part Number | Name | Remarks | Qty | Model | | | | |
|------|----------------|-----------------------------|---------|-----|----------|------|----------------|----------------------------|---------|-----|----------|----------------------------|-------|---|----------|
| (25) | 997 555 986 01 | 9V6 cocoa | /RL/R | 1 | IXTV/098 | (25) | 997 555 986 03 | insert handle liner carbon | /LL/R | 1 | IXTL/098 | | | | |
| | | D12 dark grey/natural | | | | | | A35 black | | | | | | | |
| | | T12 brown/natural | | | | | | | | | | | | | |
| | | insert handle liner leather | | | | | | (25) 997 555 986 04 | | | | insert handle liner carbon | /RL/R | 1 | IXTL/098 |
| | | A11 black | | | | | | A35 black | | | | | | | |
| | | 5X6 stone grey | | | | | | (25) 997 555 985 05 | | | | insert handle liner carbon | /RL/L | 1 | IXTL/099 |
| | | 8G2 sand beige | | | | | | A35 black | | | | | | | |
| | | 3S9 sea blue | | | | | | (25) 997 555 985 06 | | | | insert handle liner | /LL/L | 1 | IXTU/098 |
| | | 4P2 palmgreen | | | | | | S62 sycamore wood | | | | | | | |
| | | 9S5 terracotta | | | | | | (25) 997 555 986 06 | | | | insert handle liner | /LL/R | 1 | IXTU/098 |
| (25) | 997 555 985 02 | 9V6 cocoa | /RL/L | 1 | IXTV/099 | (25) | 997 555 986 07 | insert handle liner | /RL/R | 1 | IXTU/099 | | | | |
| | | D12 dark grey/natural | | | | | | S62 sycamore wood | | | | | | | |
| | | T12 brown/natural | | | | | | | | | | | | | |
| | | insert handle liner leather | | | | | | (25) 997 555 986 08 | | | | insert handle liner | /RL/L | 1 | IXTU/099 |
| | | A11 black | | | | | | S62 sycamore wood | | | | | | | |
| | | 5X6 stone grey | | | | | | (25) 997 555 985 09 | | | | insert handle liner | /LL/L | 1 | IXTT/098 |
| | | 8G2 sand beige | | | | | | S61 makassar | | | | | | | |
| | | 3S9 sea blue | | | | | | 25 997 555 986 09 | | | | insert handle liner | /LL/R | 1 | IXTT/098 |
| | | 4P2 palmgreen | | | | | | S61 makassar | | | | | | | |
| | | 9S5 terracotta | | | | | | (25) 997 555 986 10 | | | | insert handle liner | /RL/R | 1 | IXTT/099 |
| 25 | 997 555 985 03 | 9V6 cocoa | /LL/L | 1 | IXTL/098 | (25) | 997 555 985 11 | insert handle liner | /RL/L | 1 | IXTT/099 | | | | |
| | | D12 dark grey/natural | | | | | | S61 makassar | | | | | | | |
| | | T12 brown/natural | | | | | | | | | | | | | |
| | | insert handle liner carbon | | | | | | S61 makassar | | | | | | | |
| | | A35 black | | | | | | | | | | | | | |

| | | | | | | | | | | | | |
|-------|------|----|----|--------------|--------------|--------|------|------------|---------|-----|---------|--|
| Model | Year | MG | SG | Illustration | Restrictions | Update | | | | | | |
| 997t | 07 | 8 | 07 | 807-10 | | 203 | 9:59 | 30.08.2006 | PORSCHE | PET | PORSCHE | |

| Pos | Part Number | Name | Remarks | Qty | Model | Pos | Part Number | Name | Remarks | Qty | Model |
|------|----------------|------------------------|---------|-----|----------|-----|-------------|------|---------|-----|-------|
| 25 | 997 555 985 12 | insert handle liner | /LL/L | 1 | IXTW/098 | | | | | | |
| | V04 | galvano silver | | | | | | | | | |
| 25 | 997 555 986 12 | insert handle liner | /LL/R | 1 | IXTW/098 | | | | | | |
| | V04 | galvano silver | | | | | | | | | |
| (25) | 997 555 986 13 | insert handle liner | /RL/R | 1 | IXTW/099 | | | | | | |
| | V04 | galvano silver | | | | | | | | | |
| (25) | 997 555 985 14 | insert handle liner | /RL/L | 1 | IXTW/099 | | | | | | |
| | V04 | galvano silver | | | | | | | | | |
| | | - - - E N D - - - | | | | | | | | | |

| | | | | | | | | | | | |
|-------|------|----|----|--------------|--------------|--------|------|------------|---------|-----|---------|
| Model | Year | MG | SG | Illustration | Restrictions | Update | 9:59 | 30.08.2006 | PORSCHE | PET | PORSCHE |
| 997t | 07 | 8 | 07 | 807-15 | | 203 | | | | | |

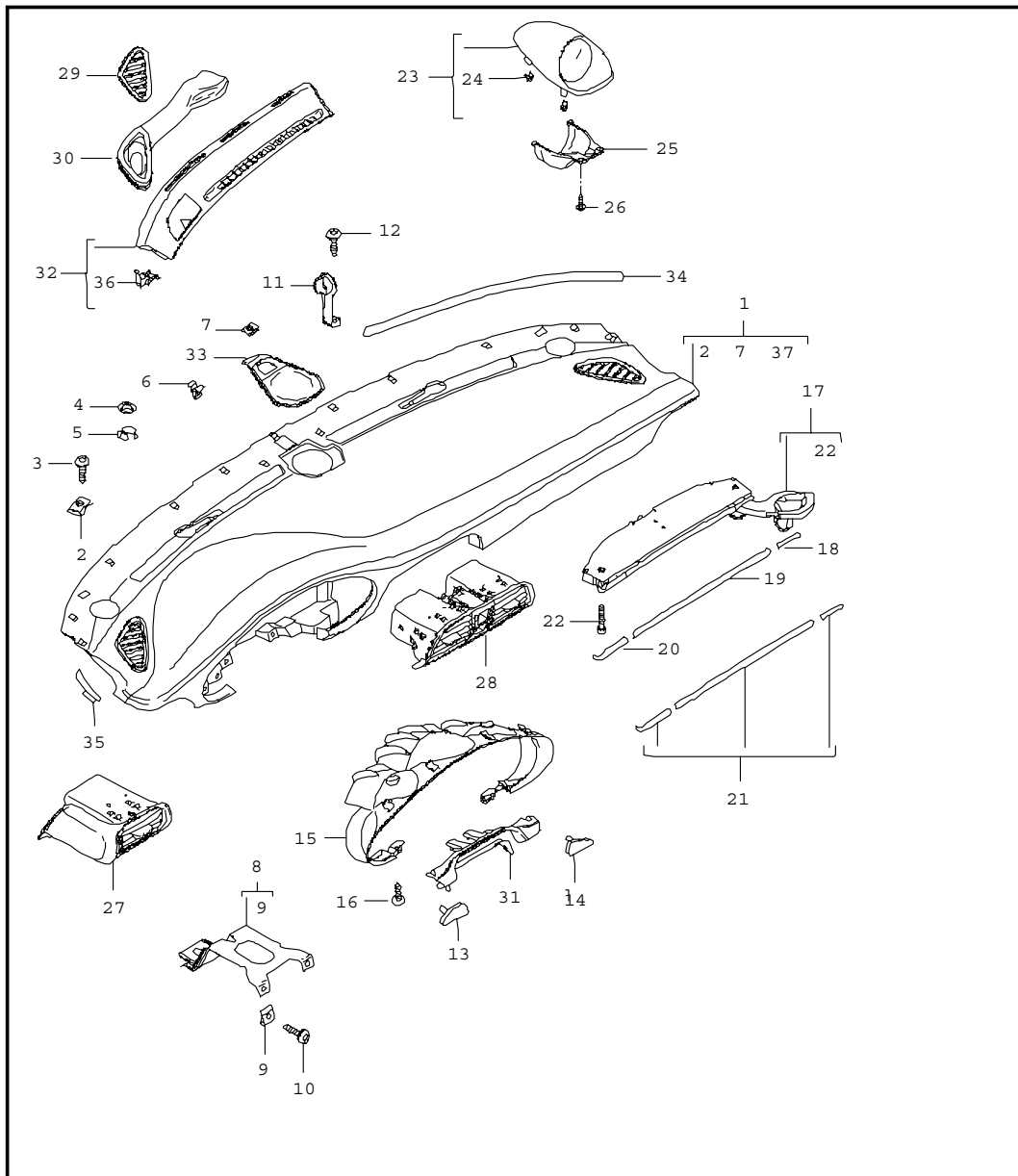


| Pos | Part Number | Name | Remarks | Qty | Model |
|-----|----------------|--|---------|-----|-------|
| | | body sound proofing 1 | | | |
| 1 | 997 556 605 00 | sound absorber wheel housing front | /L | 1 | |
| (1) | 997 556 606 00 | sound absorber wheel housing front | /R | 1 | |
| 2 | 997 556 531 01 | insulation door | | 1 | |
| 3 | 997 556 723 00 | sound absorber firewall | /LL | 1 | I098 |
| (3) | 997 556 724 00 | sound absorber firewall | /RL | 1 | I099 |
| 4 | 997 556 503 00 | insulation floor | | 2 | |
| 5 | 997 556 655 00 | sound absorber side trim panel | /L | 1 | |
| (5) | 997 556 656 00 | sound absorber side trim panel | /R | 1 | |
| 6 | 997 556 523 00 | insulation tray | | 2 | |
| 7 | 997 556 507 00 | insulation wheel housing rear | /L | 1 | |
| (7) | 997 556 508 00 | insulation wheel housing rear | /R | 1 | |
| 8 | 997 556 511 00 | insulation rear wall lower | | 1 | |
| 9 | 997 556 521 00 | insulation rear wall upper | | 1 | |
| 10 | 997 556 711 02 | sound absorber engine compartment | | 1 | |
| 11 | 996 556 761 01 | retaining strip engine compartment | | 1 | |
| 12 | 999 049 020 40 | plastic nut T5/30 X 5,1 | | 5 | |

| | | | | | | | | | | | |
|-------|------|----|----|--------------|--------------|--------|------|------------|---------|-----|---------|
| Model | Year | MG | SG | Illustration | Restrictions | Update | 9:59 | 30.08.2006 | PORSCHE | PET | PORSCHE |
| 997t | 07 | 8 | 07 | 807-15 | | 203 | | | | | |

| Pos | Part Number | Name | Remarks | Qty | Model | Pos | Part Number | Name | Remarks | Qty | Model |
|------|----------------|---|---------|-----|-------|------|----------------|--|---------|-----|-------|
| 13 | 997 556 647 00 | sound absorber roof | | 1 | I652 | 25 | 997 556 613 00 | sound absorber mounting spring strut | /L | 1 | |
| 14 | 997 556 657 00 | sound absorber wheel-housing liner rear | /L | 1 | | (25) | 997 556 614 00 | sound absorber mounting spring strut | /R | 1 | |
| (14) | 997 556 658 00 | sound absorber wheel-housing liner rear | /R | 1 | | | | - - - E N D - - - | | | |
| 15 | 997 556 571 02 | sound absorber side trim panel | | 2 | | | | | | | |
| 16 | 996 556 753 01 | seal side section upper | /L | 1 | | | | | | | |
| (16) | 996 556 754 01 | seal side section upper | /R | 1 | | | | | | | |
| 17 | 997 556 811 01 | filler piece wheel housing | /L | 1 | | | | | | | |
| (17) | 997 556 812 01 | filler piece wheel housing | /R | 1 | | | | | | | |
| 18 | 997 556 807 00 | sound absorber 40,0 end plate rear end | | 2 | | | | | | | |
| 19 | 997 556 805 00 | sound absorber 120 X 90 end plate rear end | | 1 | | | | | | | |
| 20 | 997 556 801 00 | sound absorber seat well | | 4 | | | | | | | |
| 21 | 997 556 803 00 | filler piece seat well | | 2 | | | | | | | |
| 22 | 997 556 513 01 | sound absorber b-pillar | | 2 | | | | | | | |
| 23 | 997 556 619 00 | sound absorber air duct | /L | 1 | | | | | | | |
| (23) | 997 556 620 00 | sound absorber air duct | /R | 1 | | | | | | | |
| 24 | 997 556 603 00 | sound absorber tensioner rear | | 1 | | | | | | | |

| | | | | | | | | | | | |
|-------|------|----|----|--------------|--------------|--------|------|------------|---------|-----|---------|
| Model | Year | MG | SG | Illustration | Restrictions | Update | 9:59 | 30.08.2006 | PORSCHE | PET | PORSCHE |
| 997t | 07 | 8 | 09 | 809-00 | | 203 | | | | | |



| Pos | Part Number | Name | Remarks | Qty | Model |
|-----|----------------|---|---------|-----|--------------|
| 1 | 997 552 101 07 | dashboard trim upper part with accessories | /LL | 1 | I098/981 |
| | | FSA black/grey | | | |
| | | FSB stone grey/stone grey | | | |
| | | FSC sand beige/sand beige | | | |
| | | FSD seeblue/grey | | | |
| | | FSE palm-green/palm-green | | | |
| | | FSF terrakotta/terrakotta | | | |
| | | FSG cocoa/cocoa | | | |
| | | FSH darkgrey natural/grey | | | |
| | | FSJ brown nat./brown nat. | | | |
| (1) | 997 552 102 07 | dashboard upper part leather | /RL | 1 | I099/981 |
| | | FSA black/grey | | | |
| | | FSB stone grey/stone grey | | | |
| | | FSC sand beige/sand beige | | | |
| | | FSD seeblue/grey | | | |
| | | FSE palm-green/palm-green | | | |
| | | FSF terrakotta/terrakotta | | | |
| | | FSG cocoa/cocoa | | | |
| | | FSH darkgrey natural/grey | | | |
| | | FSJ brown nat./brown nat. | | | |
| 1 | 997 552 101 09 | dashboard upper part leather | /LL | 1 | I639/640/981 |
| | | FSA black/grey | | | |
| | | FSB stone grey/stone grey | | | |
| | | FSC sand beige/sand beige | | | |

| | | | | | | | | | | | |
|-------|------|----|----|--------------|--------------|--------|------|------------|---------|-----|---------|
| Model | Year | MG | SG | Illustration | Restrictions | Update | 9:59 | 30.08.2006 | PORSCHE | PET | PORSCHE |
| 997t | 07 | 8 | 09 | 809-00 | | 203 | | | | | |

| Pos | Part Number | Name | Remarks | Qty | Model | Pos | Part Number | Name | Remarks | Qty | Model |
|-----|----------------|---|---------|-----|--------------|------|----------------|---|---------|-----|----------|
| | FSD | seeblue/grey | | | | 6 | 999 507 732 01 | clamp 8,0 X 12,0 /4,0 for mount dashboard | | X | |
| | FSE | palm-green/palm-green | | | | | | | | | |
| | FSF | terrakotta/terrakotta | | | | | | | | | |
| | FSG | cocoa/cocoa | | | | 7 | 999 507 020 02 | speed nut ST 4,2 for mount dashboard | | X | |
| | FSH | darkgrey natural/grey | | | | | | | | | |
| | FSJ | brown nat./brown nat. | | | | | | | | | |
| (1) | 997 552 102 09 | dashboard upper part leather | /RL | 1 | I639/640/981 | 8 | 997 552 617 01 | support dashboard driver's side | | 1 | |
| | FSA | black/grey | | | | 9 | 999 507 020 02 | speed nut ST 4,2 | | 2 | |
| | FSB | stone grey/stone grey | | | | 10 | 999 073 155 09 | tapping screw ST 4,2 X 13 | | 2 | |
| | FSC | sand beige/sand beige | | | | 11 | 997 552 673 00 | cover defroster trim | | 2 | |
| | FSD | seeblue/grey | | | | 12 | 999 073 226 09 | tapping screw ST 4,2 X 16 | | 2 | |
| | FSE | palm-green/palm-green | | | | 13 | 997 552 381 02 | moulding driver's side outer | /LL | 1 | I098 |
| | FSF | terrakotta/terrakotta | | | | | V04 | galvano silver | | | |
| | FSG | cocoa/cocoa | | | | | | | | | |
| | FSH | darkgrey natural/grey | | | | | | | | | |
| | FSJ | brown nat./brown nat. | | | | | | | | | |
| 2 | 999 507 971 01 | speed nut ST 4,2 for mount dashboard | | X | | (13) | 997 552 382 02 | moulding driver's side outer | /RL | 1 | I099 |
| | | | | | | | V04 | galvano silver | | | |
| 3 | 999 073 155 09 | tapping screw ST 4,2 X 13 for mount dashboard | | X | | 13 | 997 552 381 03 | moulding driver's side outer | /LL | 1 | I098/801 |
| | | | | | | | S61 | makassar | | | |
| 4 | 999 507 106 02 | clamping washer 8,0 for mount dashboard | | X | | (13) | 997 552 382 03 | moulding driver's side outer | /RL | 1 | I099/801 |
| | | | | | | | S61 | makassar | | | |
| 5 | 999 507 573 02 | clamp 6,7 - 8,1 for mount dashboard | | X | | 13 | 997 552 381 04 | moulding driver's side outer | /LL | 1 | I098/802 |
| | | | | | | | S62 | sycamore wood | | | |

| | | | | | | | | | | | |
|-------|------|----|----|--------------|--------------|--------|------|------------|---------|-----|---------|
| Model | Year | MG | SG | Illustration | Restrictions | Update | 9:59 | 30.08.2006 | PORSCHE | PET | PORSCHE |
| 997t | 07 | 8 | 09 | 809-00 | | 203 | | | | | |

| Pos | Part Number | Name | Remarks | Qty | Model | Pos | Part Number | Name | Remarks | Qty | Model |
|------|----------------|------------------------------|---------|-----|----------|------|----------------|-------------------------------|---------|-----|----------|
| (13) | 997 552 382 04 | moulding driver's side outer | /RL | 1 | I099/802 | | D12 | dark grey/natural | | | |
| | S62 | sycamore wood | | | | | T12 | brown/natural | | | |
| 13 | 997 552 381 05 | moulding driver's side outer | /LL | 1 | I098/803 | 14 | 997 552 383 02 | moulding driver's side centre | /LL | 1 | I098 |
| | A35 | black | | | | | V04 | galvano silver | | | |
| (13) | 997 552 382 05 | moulding driver's side outer | /RL | 1 | I099/803 | (14) | 997 552 384 02 | moulding driver's side centre | /RL | 1 | I099 |
| | A35 | black | | | | | V04 | galvano silver | | | |
| 13 | 997 552 986 00 | moulding driver's side outer | /LL | 1 | I098/XVP | 14 | 997 552 383 03 | moulding driver's side centre | /LL | 1 | I098/801 |
| | A11 | black | | | | | S61 | makassar | | | |
| | 5X6 | stone grey | | | | (14) | 997 552 384 03 | moulding driver's side centre | /RL | 1 | I099/801 |
| | 8G2 | sand beige | | | | | S61 | makassar | | | |
| | 3S9 | sea blue | | | | 14 | 997 552 383 04 | moulding driver's side centre | /LL | 1 | I098/802 |
| | 4P2 | palmgreen | | | | | S62 | sycamore wood | | | |
| | 9S5 | terracotta | | | | (14) | 997 552 384 04 | moulding driver's side centre | /RL | 1 | I099/802 |
| | 9V6 | cocoa | | | | | S62 | sycamore wood | | | |
| | D12 | dark grey/natural | | | | (14) | 997 552 384 05 | moulding driver's side centre | /RL | 1 | I099/803 |
| | T12 | brown/natural | | | | | A35 | black | | | |
| (13) | 997 552 986 01 | moulding driver's side outer | /RL | 1 | I099/XVP | 14 | 997 552 987 00 | moulding driver's side centre | /LL | 1 | I098/XVP |
| | A11 | black | | | | | A11 | black | | | |
| | 5X6 | stone grey | | | | | 5X6 | stone grey | | | |
| | 8G2 | sand beige | | | | | 8G2 | sand beige | | | |
| | 3S9 | sea blue | | | | | 3S9 | sea blue | | | |
| | 4P2 | palmgreen | | | | | | | | | |
| | 9S5 | terracotta | | | | | | | | | |
| | 9V6 | cocoa | | | | | | | | | |

| | | | | | | | | | | | |
|-------|------|----|----|--------------|--------------|--------|------|------------|---------|-----|---------|
| Model | Year | MG | SG | Illustration | Restrictions | Update | | | | | |
| 997t | 07 | 8 | 09 | 809-00 | | 203 | 9:59 | 30.08.2006 | PORSCHE | PET | PORSCHE |

| Pos | Part Number | Name | Remarks | Qty | Model | Pos | Part Number | Name | Remarks | Qty | Model |
|------|----------------|-------------------------------|---------|-----|----------|------|----------------|--------------------------|---------|-----|----------|
| | 4P2 | palmgreen | | | | | 5Z1 | sand beige | | | |
| | 9S5 | terracotta | | | | | 8W7 | sea blue | | | |
| | 9V6 | cocoa | | | | | 5Y2 | palmgreen | | | |
| | D12 | dark grey/natural | | | | | 8X8 | terracotta | | | |
| | T12 | brown/natural | | | | | 8P9 | cocoa | | | |
| (14) | 997 552 987 01 | moulding driver's side centre | /RL | 1 | I099/XVP | | T13 | brown/natural | | | |
| | A11 | black | | | | 15 | 997 552 989 00 | cover instrument cluster | /LL | 1 | IXNG/098 |
| | 5X6 | stone grey | | | | | A11 | black | | | |
| | 8G2 | sand beige | | | | | 5X6 | stone grey | | | |
| | 3S9 | sea blue | | | | | 8G2 | sand beige | | | |
| | 4P2 | palmgreen | | | | | 3S9 | sea blue | | | |
| | 9S5 | terracotta | | | | | 4P2 | palmgreen | | | |
| | 9V6 | cocoa | | | | | 9S5 | terracotta | | | |
| | D12 | dark grey/natural | | | | | 9V6 | cocoa | | | |
| | T12 | brown/natural | | | | | D12 | dark grey/natural | | | |
| 15 | 997 552 325 01 | cover instrument cluster | /LL | 1 | I098 | (15) | 997 552 989 01 | cover instrument cluster | /RL | 1 | IXNG/099 |
| | A03 | black | | | | | A11 | black | | | |
| | 5V7 | stone grey | | | | | 5X6 | stone grey | | | |
| | 5Z1 | sand beige | | | | | 8G2 | sand beige | | | |
| | 8W7 | sea blue | | | | | 3S9 | sea blue | | | |
| | 5Y2 | palmgreen | | | | | 4P2 | palmgreen | | | |
| | 8X8 | terracotta | | | | | 9S5 | terracotta | | | |
| | 8P9 | cocoa | | | | | 9V6 | cocoa | | | |
| | T13 | brown/natural | | | | | D12 | dark grey/natural | | | |
| (15) | 997 552 326 01 | cover instrument cluster | /RL | 1 | I099 | | T12 | brown/natural | | | |
| | A03 | black | | | | 15 | 997 552 989 02 | cover instrument cluster | /LL | 1 | IXCL/098 |
| | 5V7 | stone grey | | | | | V04 | galvano silver | | | |

| | | | | | | | | | | | |
|-------|------|----|----|--------------|--------------|--------|------|------------|---------|-----|---------|
| Model | Year | MG | SG | Illustration | Restrictions | Update | 9:59 | 30.08.2006 | PORSCHE | PET | PORSCHE |
| 997t | 07 | 8 | 09 | 809-00 | | 203 | | | | | |

| Pos | Part Number | Name | Remarks | Qty | Model | Pos | Part Number | Name | Remarks | Qty | Model |
|------|----------------|------------------------------|---------|-----|----------|------|----------------|-------------------|---------|-----|----------|
| (15) | 997 552 989 03 | cover instrument cluster | /RL | 1 | IXCL/099 | | 3S9 | sea blue | | | |
| | V04 | galvano silver | | | | | 4P2 | palmgreen | | | |
| 16 | 999 073 155 09 | tapping screw ST 4,2 X 13 | | 2 | | | 9S5 | terracotta | | | |
| 17 | 997 552 294 01 | support beverages | /LL | 1 | I098 | | 9V6 | cocoa | | | |
| 17 | 997 552 293 03 | support beverages | /RL | 1 | I099 | | D12 | dark grey/natural | | | |
| 18 | 997 552 394 02 | cover | /LL/R | 1 | I098 | | T12 | brown/natural | | | |
| | V04 | galvano silver | | | | 19 | 997 552 398 01 | cover centre | /LL | 1 | I098 |
| (18) | 997 552 393 02 | cover | /RL/R | 1 | I099 | | V04 | galvano silver | | | |
| | V04 | galvano silver | | | | (19) | 997 552 397 01 | cover centre | /RL | 1 | I099 |
| 18 | 997 552 396 05 | cover | /LL/R | 1 | I098/803 | | V04 | galvano silver | | | |
| | A35 | black | | | | 19 | 997 552 398 04 | cover centre | /LL | 1 | I098/803 |
| (18) | 997 552 395 05 | cover | /RL/R | 1 | I099/803 | | A35 | black | | | |
| | A35 | black | | | | (19) | 997 552 397 04 | cover centre | /RL | 1 | I099/803 |
| 18 | 997 552 993 00 | cover | /LL/R | 1 | IXVP/098 | | A35 | black | | | |
| | A11 | black | | | | 19 | 997 552 994 00 | cover centre | /LL | 1 | IXVP/098 |
| | 5X6 | stone grey | | | | | A11 | black | | | |
| | 8G2 | sand beige | | | | | 5X6 | stone grey | | | |
| | 3S9 | sea blue | | | | | 8G2 | sand beige | | | |
| | 4P2 | palmgreen | | | | | 3S9 | sea blue | | | |
| | 9S5 | terracotta | | | | | 4P2 | palmgreen | | | |
| | 9V6 | cocoa | | | | | 9S5 | terracotta | | | |
| | D12 | dark grey/natural | | | | | 9V6 | cocoa | | | |
| | T12 | brown/natural | | | | | D12 | dark grey/natural | | | |
| (18) | 997 552 993 01 | cover | /RL/R | 1 | IXVP/099 | | T12 | brown/natural | | | |
| | A11 | black | | | | 19 | 997 552 994 01 | cover centre | /RL | 1 | IXVP/099 |
| | 5X6 | stone grey | | | | | A11 | black | | | |
| | 8G2 | sand beige | | | | | | | | | |

| | | | | | | | | | | | |
|-------|------|----|----|--------------|--------------|--------|------|------------|---------|-----|---------|
| Model | Year | MG | SG | Illustration | Restrictions | Update | 9:59 | 30.08.2006 | PORSCHE | PET | PORSCHE |
| 997t | 07 | 8 | 09 | 809-00 | | 203 | | | | | |

| Pos | Part Number | Name | Remarks | Qty | Model | Pos | Part Number | Name | Remarks | Qty | Model |
|------|----------------|-------------------|---------|-----|----------|------|----------------|---------------------------|---------|-----|--------------|
| | 5X6 | stone grey | | | | | 8G2 | sand beige | | | |
| | 8G2 | sand beige | | | | | 3S9 | sea blue | | | |
| | 3S9 | sea blue | | | | | 4P2 | palmgreen | | | |
| | 4P2 | palmgreen | | | | | 9S5 | terracotta | | | |
| | 9S5 | terracotta | | | | | 9V6 | cocoa | | | |
| | 9V6 | cocoa | | | | | D12 | dark grey/natural | | | |
| | D12 | dark grey/natural | | | | | T12 | brown/natural | | | |
| | T12 | brown/natural | | | | 21 | 997 552 904 00 | set cover wood | /LL | 1 | I098/801 |
| 20 | 997 552 396 02 | cover | /LL/L | 1 | I098 | | S61 | makassar | | | |
| | V04 | galvano silver | | | | (21) | 997 552 903 00 | set cover wood | /RL | 1 | I099/801 |
| (20) | 997 552 395 02 | cover | /RL/L | 1 | I099 | | S61 | makassar | | | |
| | V04 | galvano silver | | | | 21 | 997 552 904 01 | set cover wood | /LL | 1 | I098/802 |
| 20 | 997 552 394 05 | cover | /LL/L | 1 | I098/803 | | S62 | sycamore wood | | | |
| | A35 | black | | | | 21 | 997 552 903 01 | set cover wood | /RL | 1 | I099/802 |
| (20) | 997 552 393 05 | cover | /RL/L | 1 | I099/803 | | S62 | sycamore wood | | | |
| | A35 | black | | | | 21 | 997 552 903 01 | set cover wood | /RL | 1 | I099/802 |
| 20 | 997 552 992 00 | cover | /LL/L | 1 | IXVP/098 | | S62 | sycamore wood | | | |
| | A11 | black | | | | 22 | 900 067 416 01 | pan-head screw M5 x 27 | | 2 | |
| | 5X6 | stone grey | | | | (23) | 997 552 371 01 | air box upper part | | 1 | I639/640/981 |
| | 8G2 | sand beige | | | | | A11 | black | | | |
| | 3S9 | sea blue | | | | | 5X6 | stone grey | | | |
| | 4P2 | palmgreen | | | | | 8G2 | sand beige | | | |
| | 9S5 | terracotta | | | | | 3S9 | sea blue | | | |
| | 9V6 | cocoa | | | | | 4P2 | palmgreen | | | |
| | D12 | dark grey/natural | | | | | 9S5 | terracotta | | | |
| | T12 | brown/natural | | | | | 9V6 | cocoa | | | |
| (20) | 997 552 992 01 | cover | /RL/L | 1 | IXVP/099 | | | | | | |
| | A11 | black | | | | | | | | | |
| | 5X6 | stone grey | | | | | | | | | |

| | | | | | | | | | | | |
|-------|------|----|----|--------------|--------------|--------|------|------------|---------|-----|---------|
| Model | Year | MG | SG | Illustration | Restrictions | Update | 9:59 | 30.08.2006 | PORSCHE | PET | PORSCHE |
| 997t | 07 | 8 | 09 | 809-00 | | 203 | | | | | |

| Pos | Part Number | Name | Remarks | Qty | Model | Pos | Part Number | Name | Remarks | Qty | Model |
|------|----------------|---|---------|-----|----------|------|----------------|-------------------|---------|-----|-------|
| | D12 | dark grey/natural | | | | | 9S5 | terracotta | | | |
| | T12 | brown/natural | | | | | 9V6 | cocoa | | | |
| 24 | 999 507 920 01 | u-clamp 1,7-2,1 | | 4 | I639/640 | | D12 | dark grey/natural | | | |
| 25 | 997 552 373 01 | support for air box upper part | | 1 | I639/640 | 27 | 997 552 981 01 | side vent | /L | 1 | IXKD |
| 26 | 999 919 167 09 | oval-head screw 3,0 X 10 for mount support air box | | 4 | | | A11 | black | | | |
| 27 | 997 552 131 06 | side vent | /L | 1 | | | 5X6 | stone grey | | | |
| | V04 | galvano silver | | | | | 8G2 | sand beige | | | |
| (27) | 997 552 132 06 | side vent | /R | 1 | | | 3S9 | sea blue | | | |
| | V04 | galvano silver | | | | | 4P2 | palmgreen | | | |
| 27 | 997 552 981 00 | side vent | /L | 1 | IXN3 | (27) | 997 552 982 01 | side vent | /R | 1 | IXKD |
| | A11 | black | | | | | A11 | black | | | |
| | 5X6 | stone grey | | | | | 5X6 | stone grey | | | |
| | 8G2 | sand beige | | | | | 8G2 | sand beige | | | |
| | 3S9 | sea blue | | | | | 3S9 | sea blue | | | |
| | 4P2 | palmgreen | | | | | 4P2 | palmgreen | | | |
| | 9S5 | terracotta | | | | | 9S5 | terracotta | | | |
| | 9V6 | cocoa | | | | | 9S5 | terracotta | | | |
| | D12 | dark grey/natural | | | | | 9V6 | cocoa | | | |
| | T12 | brown/natural | | | | | D12 | dark grey/natural | | | |
| (27) | 997 552 982 00 | side vent | /R | 1 | IXN3 | 27 | 997 552 981 02 | side vent | /L | 1 | IXJM |
| | A11 | black | | | | | A11 | black | | | |
| | 5X6 | stone grey | | | | | 5X6 | stone grey | | | |
| | 8G2 | sand beige | | | | | 8G2 | sand beige | | | |
| | 3S9 | sea blue | | | | | 3S9 | sea blue | | | |
| | 4P2 | palmgreen | | | | | 4P2 | palmgreen | | | |

| | | | | | | | | | | | |
|-------|------|----|----|--------------|--------------|--------|------|------------|---------|-----|---------|
| Model | Year | MG | SG | Illustration | Restrictions | Update | 9:59 | 30.08.2006 | PORSCHE | PET | PORSCHE |
| 997t | 07 | 8 | 09 | 809-00 | | 203 | | | | | |

| Pos | Part Number | Name | Remarks | Qty | Model | Pos | Part Number | Name | Remarks | Qty | Model |
|------|----------------|-------------------|---------|-----|-------|------|----------------|-------------------|---------|-----|-------|
| | 4P2 | palmgreen | | | | | 3S9 | sea blue | | | |
| | 9S5 | terracotta | | | | | 4P2 | palmgreen | | | |
| | 9V6 | cocoa | | | | | 9S5 | terracotta | | | |
| | D12 | dark grey/natural | | | | | 9V6 | cocoa | | | |
| | T12 | brown/natural | | | | | D12 | dark grey/natural | | | |
| (27) | 997 552 982 02 | side vent | /R | 1 | IXJM | | T12 | brown/natural | | | |
| | A11 | black | | | | 27 | 997 552 981 04 | side vent | /L | 1 | IXCN |
| | 5X6 | stone grey | | | | | A11 | black | | | |
| | 8G2 | sand beige | | | | | 5X6 | stone grey | | | |
| | 3S9 | sea blue | | | | | 8G2 | sand beige | | | |
| | 4P2 | palmgreen | | | | | 3S9 | sea blue | | | |
| | 9S5 | terracotta | | | | | 4P2 | palmgreen | | | |
| | 9V6 | cocoa | | | | | 9S5 | terracotta | | | |
| | D12 | dark grey/natural | | | | | 9V6 | cocoa | | | |
| | T12 | brown/natural | | | | | D12 | dark grey/natural | | | |
| 27 | 997 552 981 03 | side vent | /L | 1 | IXJL | | T12 | brown/natural | | | |
| | A11 | black | | | | (27) | 997 552 982 04 | side vent | /R | 1 | IXCN |
| | 5X6 | stone grey | | | | | A11 | black | | | |
| | 8G2 | sand beige | | | | | 5X6 | stone grey | | | |
| | 3S9 | sea blue | | | | | 8G2 | sand beige | | | |
| | 4P2 | palmgreen | | | | | 3S9 | sea blue | | | |
| | 9S5 | terracotta | | | | | 4P2 | palmgreen | | | |
| | 9V6 | cocoa | | | | | 9S5 | terracotta | | | |
| | D12 | dark grey/natural | | | | | 9V6 | cocoa | | | |
| | T12 | brown/natural | | | | | D12 | dark grey/natural | | | |
| (27) | 997 552 982 03 | side vent | /R | 1 | IXJL | | T12 | brown/natural | | | |
| | A11 | black | | | | (28) | 997 552 141 06 | centre nozzle | | 1 | |
| | 5X6 | stone grey | | | | | V04 | galvano silver | | | |
| | 8G2 | sand beige | | | | (28) | 997 552 980 00 | centre nozzle | | 1 | IXVM |

| | | | | | | | | | | | |
|-------|------|----|----|--------------|--------------|--------|------|------------|---------|-----|---------|
| Model | Year | MG | SG | Illustration | Restrictions | Update | 9:59 | 30.08.2006 | PORSCHE | PET | PORSCHE |
| 997t | 07 | 8 | 09 | 809-00 | | 203 | | | | | |

| Pos | Part Number | Name | Remarks | Qty | Model | Pos | Part Number | Name | Remarks | Qty | Model |
|------|----------------|-------------------|---------|-----|-------|------|----------------|----------------------|---------|-----|-------|
| | A11 | black | | | | (28) | 997 552 980 03 | centre nozzle | | 1 | IXJN |
| | 5X6 | stone grey | | | | | A11 | black | | | |
| | 8G2 | sand beige | | | | | 5X6 | stone grey | | | |
| | 3S9 | sea blue | | | | | 8G2 | sand beige | | | |
| | 4P2 | palmgreen | | | | | 3S9 | sea blue | | | |
| | 9S5 | terracotta | | | | | 4P2 | palmgreen | | | |
| | 9V6 | cocoa | | | | | 9S5 | terracotta | | | |
| | D12 | dark grey/natural | | | | | 9V6 | cocoa | | | |
| | T12 | brown/natural | | | | | D12 | dark grey/natural | | | |
| (28) | 997 552 980 01 | centre nozzle | | 1 | IXZB | | T12 | brown/natural | | | |
| | A11 | black | | | | (28) | 997 552 980 04 | centre nozzle | | 1 | IXCY |
| | 5X6 | stone grey | | | | | A11 | black | | | |
| | 8G2 | sand beige | | | | | 5X6 | stone grey | | | |
| | 3S9 | sea blue | | | | | 8G2 | sand beige | | | |
| | 4P2 | palmgreen | | | | | 3S9 | sea blue | | | |
| | 9S5 | terracotta | | | | | 4P2 | palmgreen | | | |
| | 9V6 | cocoa | | | | | 9S5 | terracotta | | | |
| | D12 | dark grey/natural | | | | | 9V6 | cocoa | | | |
| | T12 | brown/natural | | | | | D12 | dark grey/natural | | | |
| (28) | 997 552 980 02 | centre nozzle | | 1 | IXJP | | T12 | brown/natural | | | |
| | A11 | black | | | | 29 | 997 552 455 01 | cover defroster vent | /L | 1 | |
| | 5X6 | stone grey | | | | | A03 | black | | | |
| | 8G2 | sand beige | | | | | 5V7 | stone grey | | | |
| | 3S9 | sea blue | | | | | 5Z1 | sand beige | | | |
| | 4P2 | palmgreen | | | | | 8W7 | sea blue | | | |
| | 9S5 | terracotta | | | | | 5Y2 | palmgreen | | | |
| | 9V6 | cocoa | | | | | 8X8 | terracotta | | | |
| | D12 | dark grey/natural | | | | | 8P9 | cocoa | | | |
| | T12 | brown/natural | | | | | T13 | brown/natural | | | |

| | | | | | | | | | | | |
|-------|------|----|----|--------------|--------------|--------|------|------------|---------|-----|---------|
| Model | Year | MG | SG | Illustration | Restrictions | Update | 9:59 | 30.08.2006 | PORSCHE | PET | PORSCHE |
| 997t | 07 | 8 | 09 | 809-00 | | 203 | | | | | |

| Pos | Part Number | Name | Remarks | Qty | Model | Pos | Part Number | Name | Remarks | Qty | Model |
|------|----------------|----------------------|---------|-----|-------|------|----------------|-------------------|---------|-----|-------|
| (29) | 997 552 456 01 | cover defroster vent | /R | 1 | | | 9V6 | cocoa | | | |
| | A03 | black | | | | | D12 | dark grey/natural | | | |
| | 5V7 | stone grey | | | | | T12 | brown/natural | | | |
| | 5Z1 | sand beige | | | | 32 | 997 552 175 01 | defroster trim | /L | 1 | |
| | 8W7 | sea blue | | | | | A03 | black | | | |
| | 5Y2 | palmgreen | | | | | 5V7 | stone grey | | | |
| | 8X8 | terracotta | | | | | 5Z1 | sand beige | | | |
| | 8P9 | cocoa | | | | | 8W7 | sea blue | | | |
| | T13 | brown/natural | | | | | 5Y2 | palmgreen | | | |
| 30 | 997 552 315 02 | air duct lateral | /L | 1 | | | 8X8 | terracotta | | | |
| (30) | 997 552 316 02 | air duct lateral | /R | 1 | | | 8P9 | cocoa | | | |
| 31 | 997 552 271 01 | bridge | | 1 | | (32) | 997 552 176 01 | defroster trim | /R | 1 | |
| | A03 | black | | | | | A03 | black | | | |
| | 5V7 | stone grey | | | | | 5V7 | stone grey | | | |
| | 5Z1 | sand beige | | | | | 5Z1 | sand beige | | | |
| | 8W7 | sea blue | | | | | 8W7 | sea blue | | | |
| | 5Y2 | palmgreen | | | | | 5Y2 | palmgreen | | | |
| | 8X8 | terracotta | | | | | 8X8 | terracotta | | | |
| | 8P9 | cocoa | | | | | 8P9 | cocoa | | | |
| | T13 | brown/natural | | | | | T13 | brown/natural | | | |
| 31 | 997 552 978 00 | bridge leather | | 1 | IXNS | 32 | 997 552 983 00 | defroster trim | /L | 1 | IXV1 |
| | A11 | black | | | | | A11 | black | | | |
| | 5X6 | stone grey | | | | | 5X6 | stone grey | | | |
| | 8G2 | sand beige | | | | | 8G2 | sand beige | | | |
| | 3S9 | sea blue | | | | | 3S9 | sea blue | | | |
| | 4P2 | palmgreen | | | | | 4P2 | palmgreen | | | |
| | 9S5 | terracotta | | | | | 9S5 | terracotta | | | |
| | | | | | | | 9V6 | cocoa | | | |

| | | | | | | | | | | | |
|-------|------|----|----|--------------|--------------|--------|------|------------|---------|-----|---------|
| Model | Year | MG | SG | Illustration | Restrictions | Update | 9:59 | 30.08.2006 | PORSCHE | PET | PORSCHE |
| 997t | 07 | 8 | 09 | 809-00 | | 203 | | | | | |

| Pos | Part Number | Name | Remarks | Qty | Model | Pos | Part Number | Name | Remarks | Qty | Model | | | | | | |
|----------------|-------------------|----------------|-------------------|--------|-------------------|----------------|----------------|----------------|-------------------|-----|--------|--------|-------------------|----------------|----------------|----|--------|
| (32) | 997 552 984 00 | D12 | dark grey/natural | /R | 1 IXV1 | 32 | 997 552 983 02 | 9V6 | cocoa | /L | 1 IXJS | | | | | | |
| | | T12 | brown/natural | | | | | D12 | dark grey/natural | | | | | | | | |
| | | defroster trim | T12 | | | | | brown/natural | A11 | | | black | | | | | |
| | | A11 | black | | | | | 5X6 | stone grey | | | 8G2 | sand beige | | | | |
| | | 5X6 | stone grey | | | | | 3S9 | sea blue | | | 4P2 | palmgreen | | | | |
| | | 8G2 | sand beige | | | | | 9S5 | terracotta | | | 9V6 | cocoa | | | | |
| | | 3S9 | sea blue | | | | | D12 | dark grey/natural | | | D12 | dark grey/natural | | | | |
| | | 4P2 | palmgreen | | | | | T12 | brown/natural | | | T12 | brown/natural | | | | |
| | | 9S5 | terracotta | | | | | defroster trim | /L | | | 1 IXKJ | (32) | 997 552 984 02 | defroster trim | /R | 1 IXJS |
| | | 9V6 | cocoa | | | | | A11 | black | | | A11 | | | black | | |
| D12 | dark grey/natural | 5X6 | stone grey | 5X6 | stone grey | | | | | | | | | | | | |
| T12 | brown/natural | 8G2 | sand beige | 8G2 | sand beige | | | | | | | | | | | | |
| defroster trim | /L | 3S9 | sea blue | 3S9 | sea blue | | | | | | | | | | | | |
| A11 | black | 4P2 | palmgreen | 4P2 | palmgreen | | | | | | | | | | | | |
| 5X6 | stone grey | 9S5 | terracotta | 9S5 | terracotta | | | | | | | | | | | | |
| 8G2 | sand beige | 9V6 | cocoa | 9V6 | cocoa | | | | | | | | | | | | |
| 3S9 | sea blue | D12 | dark grey/natural | D12 | dark grey/natural | | | | | | | | | | | | |
| 4P2 | palmgreen | T12 | brown/natural | T12 | brown/natural | | | | | | | | | | | | |
| (32) | 997 552 984 01 | defroster trim | /R | 1 IXKJ | 32 | 997 552 983 03 | defroster trim | /L | 1 IXJR | | | | | | | | |
| | | A11 | black | | | | A11 | black | | | | | | | | | |
| | | 5X6 | stone grey | | | | 5X6 | stone grey | | | | | | | | | |
| | | 8G2 | sand beige | | | | 8G2 | sand beige | | | | | | | | | |
| | | 3S9 | sea blue | | | | 3S9 | sea blue | | | | | | | | | |
| | | 4P2 | palmgreen | | | | 4P2 | palmgreen | | | | | | | | | |
| | | 9S5 | terracotta | | | | | | | | | | | | | | |

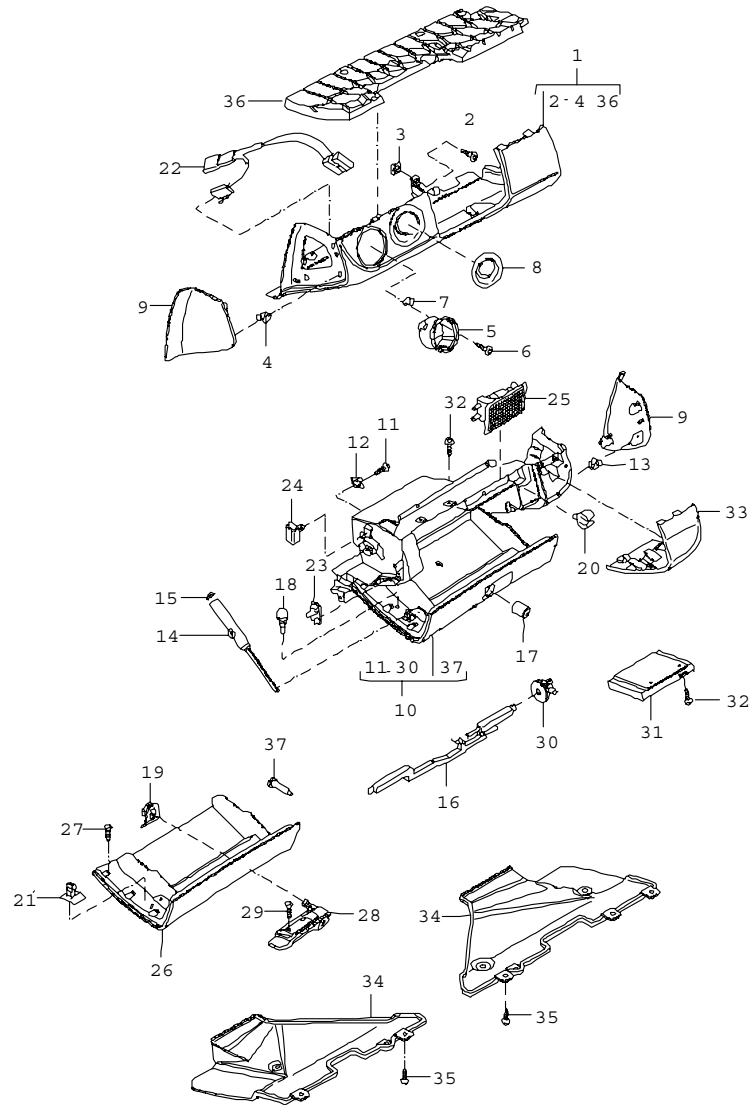
| | | | | | | | | | | | |
|-------|------|----|----|--------------|--------------|--------|------|------------|---------|-----|---------|
| Model | Year | MG | SG | Illustration | Restrictions | Update | 9:59 | 30.08.2006 | PORSCHE | PET | PORSCHE |
| 997t | 07 | 8 | 09 | 809-00 | | 203 | | | | | |

| Pos | Part Number | Name | Remarks | Qty | Model | Pos | Part Number | Name | Remarks | Qty | Model |
|------|----------------|-------------------|---------|-----|-------|------|----------------|-------------------|---------|-----|-------|
| | 9S5 | terracotta | | | | | 4P2 | palmgreen | | | |
| | 9V6 | cocoa | | | | | 9S5 | terracotta | | | |
| | D12 | dark grey/natural | | | | | 9V6 | cocoa | | | |
| | T12 | brown/natural | | | | | D12 | dark grey/natural | | | |
| (32) | 997 552 984 03 | defroster trim | /R | 1 | IXJR | | T12 | brown/natural | | | |
| | A11 | black | | | | (33) | 997 552 985 00 | cover centre | | 1 | IXKJ |
| | 5X6 | stone grey | | | | | A11 | black | | | |
| | 8G2 | sand beige | | | | | 5X6 | stone grey | | | |
| | 3S9 | sea blue | | | | | 8G2 | sand beige | | | |
| | 4P2 | palmgreen | | | | | 3S9 | sea blue | | | |
| | 9S5 | terracotta | | | | | 4P2 | palmgreen | | | |
| | 9V6 | cocoa | | | | | 9S5 | terracotta | | | |
| | D12 | dark grey/natural | | | | | 9V6 | cocoa | | | |
| | T12 | brown/natural | | | | | D12 | dark grey/natural | | | |
| 33 | 997 552 351 01 | cover centre | | 1 | | | T12 | brown/natural | | | |
| | A03 | black | | | | (33) | 997 552 985 00 | cover centre | | 1 | IXJS |
| | 5V7 | stone grey | | | | | A11 | black | | | |
| | 5Z1 | sand beige | | | | | 5X6 | stone grey | | | |
| | 8W7 | sea blue | | | | | 8G2 | sand beige | | | |
| | 5Y2 | palmgreen | | | | | 3S9 | sea blue | | | |
| | 8X8 | terracotta | | | | | 4P2 | palmgreen | | | |
| | 8P9 | cocoa | | | | | 9S5 | terracotta | | | |
| | T13 | brown/natural | | | | | 9V6 | cocoa | | | |
| (33) | 997 552 985 00 | cover centre | | 1 | IXV1 | | D12 | dark grey/natural | | | |
| | A11 | black | | | | | T12 | brown/natural | | | |
| | 5X6 | stone grey | | | | (33) | 997 552 985 00 | cover centre | | 1 | IXJR |
| | 8G2 | sand beige | | | | | A11 | black | | | |
| | 3S9 | sea blue | | | | | 5X6 | stone grey | | | |

| | | | | | | | | | | | |
|-------|------|----|----|--------------|--------------|--------|------|------------|---------|-----|---------|
| Model | Year | MG | SG | Illustration | Restrictions | Update | 9:59 | 30.08.2006 | PORSCHE | PET | PORSCHE |
| 997t | 07 | 8 | 09 | 809-00 | | 203 | | | | | |

| Pos | Part Number | Name | Remarks | Qty | Model | Pos | Part Number | Name | Remarks | Qty | Model |
|------|----------------|------------------------------------|---------|-----|-------|-----|-------------|------|---------|-----|-------|
| | 8G2 | sand beige | | | | | | | | | |
| | 3S9 | sea blue | | | | | | | | | |
| | 4P2 | palmgreen | | | | | | | | | |
| | 9S5 | terracotta | | | | | | | | | |
| | 9V6 | cocoa | | | | | | | | | |
| | D12 | dark grey/natural | | | | | | | | | |
| | T12 | brown/natural | | | | | | | | | |
| 34 | 997 552 645 00 | gasket cowl | | 1 | | | | | | | |
| 35 | 997 552 481 00 | insert a-pillar | /L | 1 | | | | | | | |
| (35) | 997 552 482 00 | insert a-pillar | /R | 1 | | | | | | | |
| 36 | 999 591 307 01 | u-clamp mount defroster trim | | 2 | | | | | | | |
| | | - - - E N D - - - | | | | | | | | | |

| | | | | | | | | | | | |
|-------|------|----|----|--------------|--------------|--------|-------|------------|---------|-----|---------|
| Model | Year | MG | SG | Illustration | Restrictions | Update | 10:00 | 30.08.2006 | PORSCHE | PET | PORSCHE |
| 997t | 07 | 8 | 09 | 809-03 | | 203 | | | | | |



| Pos | Part Number | Name | Remarks | Qty | Model |
|-----|----------------|--|---------|-----|----------|
| 1 | 997 552 201 03 | glove compartment cover and lining driver's side | | | |
| | | lining leather | /LL | 1 | I098/981 |
| | | A11 black | | | |
| | | 5X6 stone grey | | | |
| | | 8G2 sand beige | | | |
| | | 3S9 sea blue | | | |
| | | 4P2 palmgreen | | | |
| | | 9S5 terracotta | | | |
| | | 9V6 cocoa | | | |
| | | D12 dark grey/natural | | | |
| | | T12 brown/natural | | | |
| (1) | 997 552 202 03 | lining leather | /RL | 1 | I098/981 |
| | | A11 black | | | |
| | | 5X6 stone grey | | | |
| | | 8G2 sand beige | | | |
| | | 3S9 sea blue | | | |
| | | 4P2 palmgreen | | | |
| | | 9S5 terracotta | | | |
| | | 9V6 cocoa | | | |
| | | D12 dark grey/natural | | | |
| | | T12 brown/natural | | | |
| 2 | 999 073 155 09 | tapping screw 4,2 X 13 for mount lining | | 8 | |

| | | | | | | | | | | | |
|-------|------|----|----|--------------|--------------|--------|-------|------------|---------|-----|---------|
| Model | Year | MG | SG | Illustration | Restrictions | Update | 10:00 | 30.08.2006 | PORSCHE | PET | PORSCHE |
| 997t | 07 | 8 | 09 | 809-03 | | 203 | | | | | |

| Pos | Part Number | Name | Remarks | Qty | Model | Pos | Part Number | Name | Remarks | Qty | Model |
|-----|----------------|--|---------------|-----|-------|-----|----------------|-----------------------------------|---------|-----|-------|
| 3 | 999 507 971 01 | speed nut 4,2 for mount lining | | 8 | | | 8X8 | terracotta | | | |
| | | | | | | | 8P9 | cocoa | | | |
| | | | | | | | T13 | brown/natural | | | |
| 4 | 999 507 732 01 | clamp 8 X 12/ 4 for mount lining | | 7 | | (8) | 997 552 426 01 | cover ignition starter lock | /RL | 1 | I099 |
| | | | | | | | A03 | black | | | |
| 5 | 997 552 427 01 | cover light switch | | 1 | | | 5V7 | stone grey | | | |
| | | A03 | black | | | | 5Z1 | sand beige | | | |
| | | 5V7 | stone grey | | | | 8W7 | sea blue | | | |
| | | 5Z1 | sand beige | | | | 5Y2 | palmgreen | | | |
| | | 8W7 | sea blue | | | | 8X8 | terracotta | | | |
| | | 5Y2 | palmgreen | | | | 8P9 | cocoa | | | |
| | | 8X8 | terracotta | | | | T13 | brown/natural | | | |
| | | 8P9 | cocoa | | | 9 | 997 552 405 02 | cover | /L | 1 | |
| | | T13 | brown/natural | | | | A03 | black | | | |
| 6 | 999 073 155 09 | tapping screw 4,2 X 13 for mount cover light switch | | 3 | | | 5V7 | stone grey | | | |
| | | | | | | | 5Z1 | sand beige | | | |
| | | | | | | | 8W7 | sea blue | | | |
| | | | | | | | 5Y2 | palmgreen | | | |
| 7 | 999 507 971 01 | speed nut 4,2 for mount cover light switch | | 3 | | | 8X8 | terracotta | | | |
| | | | | | | | 8P9 | cocoa | | | |
| | | | | | | | T13 | brown/natural | | | |
| 8 | 997 552 425 01 | cover ignition starter lock | /LL | 1 | I098 | (9) | 997 552 406 02 | cover lateral driver's side | /R | 1 | |
| | | A03 | black | | | | A03 | black | | | |
| | | 5V7 | stone grey | | | | 5V7 | stone grey | | | |
| | | 5Z1 | sand beige | | | | 5Z1 | sand beige | | | |
| | | 8W7 | sea blue | | | | 8W7 | sea blue | | | |
| | | 5Y2 | palmgreen | | | | 5Y2 | palmgreen | | | |
| | | | | | | | 8X8 | terracotta | | | |

| | | | | | | | | | | | |
|-------|------|----|----|--------------|--------------|--------|-------|------------|---------|-----|---------|
| Model | Year | MG | SG | Illustration | Restrictions | Update | 10:00 | 30.08.2006 | PORSCHE | PET | PORSCHE |
| 997t | 07 | 8 | 09 | 809-03 | | 203 | | | | | |

| Pos | Part Number | Name | Remarks | Qty | Model | Pos | Part Number | Name | Remarks | Qty | Model |
|------|----------------|--|---------|-----|----------|------|----------------|---|---------|-----|-------|
| | 8P9 | cocoa | | | | 12 | 999 507 971 01 | speed nut 4,2 for mount glove compartment | | X | |
| | T13 | brown/natural | | | | | | | | | |
| 10 | 997 552 204 05 | glove compartment leather complete | /LL | 1 | I098/981 | 13 | 999 507 732 01 | clamp 8 X 12 /4 for mount glove compartment | | X | |
| | A11 | black | | | | | | | | | |
| | 5X6 | stone grey | | | | | | | | | |
| | 8G2 | sand beige | | | | 14 | 997 552 484 01 | damper glove compartment | | 1 | |
| | 3S9 | sea blue | | | | 15 | 997 552 612 00 | cover damper | | 1 | |
| | 4P2 | palmgreen | | | | | | | | | |
| | 9S5 | terracotta | | | | 16 | 997 552 410 01 | release glove compartment | /LL | 1 | I098 |
| | 9V6 | cocoa | | | | | | | | | |
| | D12 | dark grey/natural | | | | (16) | 997 552 409 01 | release glove compartment | /RL | 1 | I099 |
| | T12 | brown/natural | | | | 17 | 996 552 915 00 | lock cylinder glove compartment state lock number | | 1 | |
| (10) | 997 552 203 05 | glove compartment leather complete | /RL | 1 | I099/981 | 18 | 999 703 068 40 | buffer 3,7 x 10,3 glove compartment | | 2 | |
| | A11 | black | | | | | | | | | |
| | 5X6 | stone grey | | | | 19 | 997 552 509 02 | mounting end plate | /LL/L | 1 | I098 |
| | 8G2 | sand beige | | | | (19) | 997 552 510 02 | mounting end plate | /LL/R | 1 | I098 |
| | 3S9 | sea blue | | | | (19) | 997 552 509 03 | mounting end plate | /RL/L | 1 | I099 |
| | 4P2 | palmgreen | | | | (19) | 997 552 510 03 | mounting end plate | /RL/R | 1 | I099 |
| | 9S5 | terracotta | | | | | | | | | |
| | 9V6 | cocoa | | | | | | | | | |
| | D12 | dark grey/natural | | | | 20 | 996 552 813 00 | support pin | | 2 | |
| | T12 | brown/natural | | | | | | | | | |
| 11 | 999 073 155 09 | tapping screw 4,2 X 13 for mount glove compartment | | X | | | | | | | |
| | | | | | | 22 | 997 612 651 00 | wiring harness glove compartment light | | 1 | |
| | | | | | | 23 | 999 650 564 40 | clip for wiring harness microswitch | | 1 | |

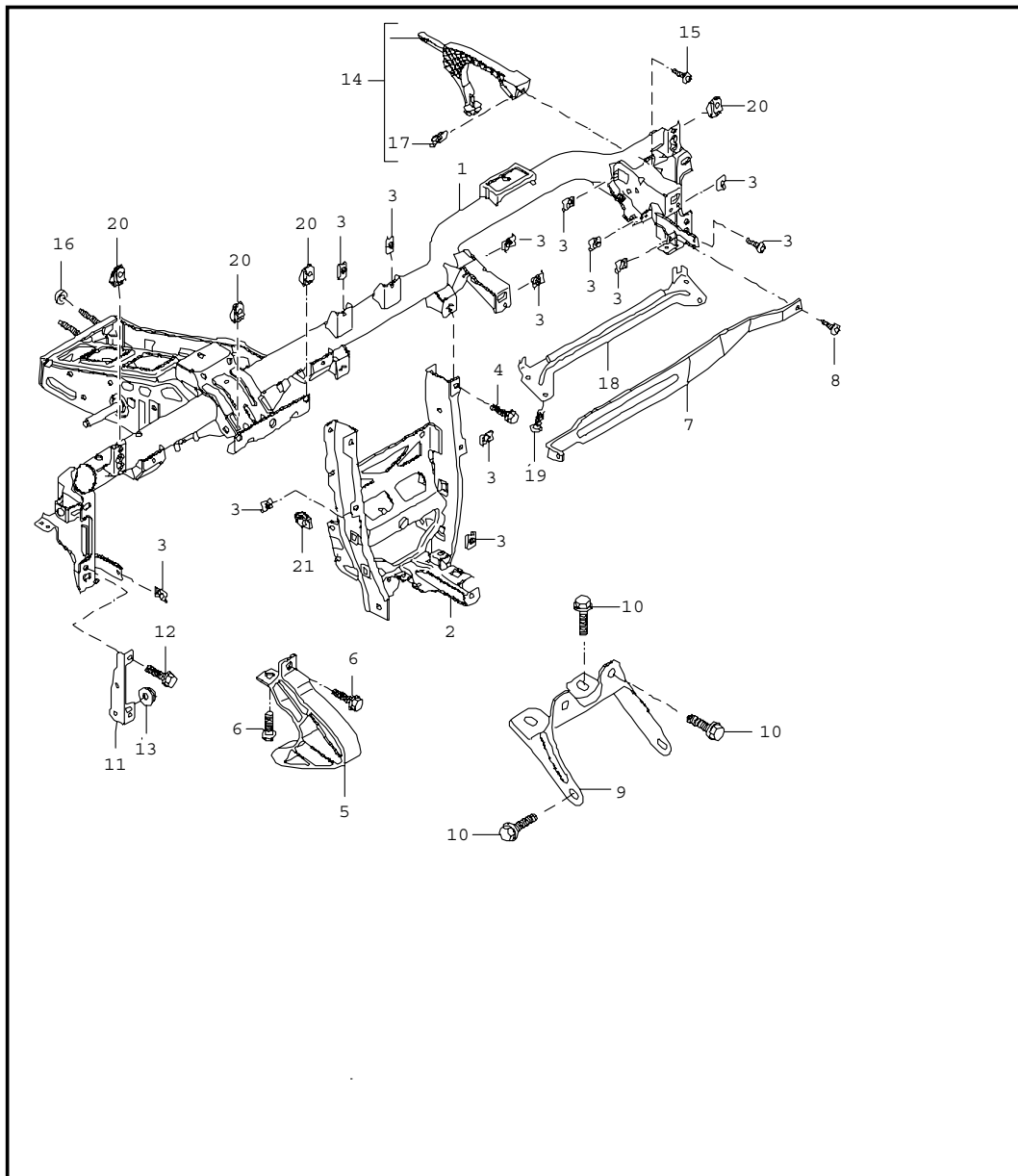
| | | | | | | | | | | | |
|-------|------|----|----|--------------|--------------|--------|-------|------------|---------|-----|---------|
| Model | Year | MG | SG | Illustration | Restrictions | Update | 10:00 | 30.08.2006 | PORSCHE | PET | PORSCHE |
| 997t | 07 | 8 | 09 | 809-03 | | 203 | | | | | |

| Pos | Part Number | Name | Remarks | Qty | Model | Pos | Part Number | Name | Remarks | Qty | Model |
|------|----------------|--|---------|-----|----------|------|----------------|--|---------|-----|----------|
| 24 | 999 650 565 40 | clip for wiring harness | | 1 | | | 5V7 | stone grey | | | |
| | | | | | | | 5Z1 | sand beige | | | |
| 25 | 997 632 071 00 | glove compartment light | | 1 | | | 8W7 | sea blue | | | |
| 26 | 997 552 252 03 | glove box cover leather | /LL | 1 | I098/981 | | 5Y2 | palmgreen | | | |
| | A11 | black | | | | | 8X8 | terracotta | | | |
| | 5X6 | stone grey | | | | | 8P9 | cocoa | | | |
| | 8G2 | sand beige | | | | | T13 | brown/natural | | | |
| | 3S9 | sea blue | | | | (28) | 997 552 361 01 | handle complete | /RL | 1 | I099 |
| | 4P2 | palmgreen | | | | | A03 | black | | | |
| | 9S5 | terracotta | | | | | 5V7 | stone grey | | | |
| | 9V6 | cocoa | | | | | 5Z1 | sand beige | | | |
| | D12 | dark grey/natural | | | | | 8W7 | sea blue | | | |
| | T12 | brown/natural | | | | | 5Y2 | palmgreen | | | |
| (26) | 997 552 251 03 | glove box cover leather | /RL | 1 | I099/981 | | 8X8 | terracotta | | | |
| | A11 | black | | | | | 8P9 | cocoa | | | |
| | 5X6 | stone grey | | | | | T13 | brown/natural | | | |
| | 8G2 | sand beige | | | | 29 | 999 073 240 02 | screw M 4 X 10 for mount handle | | 2 | |
| | 3S9 | sea blue | | | | | | | | | |
| | 4P2 | palmgreen | | | | | | | | | |
| | 9S5 | terracotta | | | | 30 | 997 552 448 00 | stop | | 1 | |
| | 9V6 | cocoa | | | | 31 | 997 552 663 00 | box for cds | | 1 | I424 |
| | D12 | dark grey/natural | | | | 32 | 999 073 240 02 | screw M 4 X 10 for mount box for cds | | 2 | |
| | T12 | brown/natural | | | | | | | | | |
| 27 | 999 073 249 07 | tapping screw 3.5 X 12 for mount glove box cover | | 11 | | | | | | | |
| | | | | | | 33 | 997 552 256 03 | cover passenger's side leather | /LL | 1 | I098/981 |
| 28 | 997 552 362 01 | handle complete | /LL | 1 | I098 | | A11 | black | | | |
| | A03 | black | | | | | 5X6 | stone grey | | | |
| | | | | | | | 8G2 | sand beige | | | |

| | | | | | | | | | | | |
|-------|------|----|----|--------------|--------------|--------|-------|------------|---------|-----|---------|
| Model | Year | MG | SG | Illustration | Restrictions | Update | 10:00 | 30.08.2006 | PORSCHE | PET | PORSCHE |
| 997t | 07 | 8 | 09 | 809-03 | | 203 | | | | | |

| Pos | Part Number | Name | Remarks | Qty | Model | Pos | Part Number | Name | Remarks | Qty | Model |
|------|----------------|---|---------|-----|----------|-----|-------------|------|---------|-----|-------|
| | 3S9 | sea blue | | | | | | | | | |
| | 4P2 | palmgreen | | | | | | | | | |
| | 9S5 | terracotta | | | | | | | | | |
| | 9V6 | cocoa | | | | | | | | | |
| | D12 | dark grey/natural | | | | | | | | | |
| | T12 | brown/natural | | | | | | | | | |
| (33) | 997 552 255 03 | cover passenger's side leather | /RL | 1 | I099/981 | | | | | | |
| | A11 | black | | | | | | | | | |
| | 5X6 | stone grey | | | | | | | | | |
| | 8G2 | sand beige | | | | | | | | | |
| | 3S9 | sea blue | | | | | | | | | |
| | 4P2 | palmgreen | | | | | | | | | |
| | 9S5 | terracotta | | | | | | | | | |
| | 9V6 | cocoa | | | | | | | | | |
| | D12 | dark grey/natural | | | | | | | | | |
| | T12 | brown/natural | | | | | | | | | |
| 34 | 997 552 414 01 | lining footwell passenger's side | /LL | 1 | I098 | | | | | | |
| (34) | 997 552 413 01 | lining footwell passenger's side | /RL | 1 | I099 | | | | | | |
| 35 | 1H0 819 943 | screw for mount lining footwell | | X | | | | | | | |
| 36 | 997 552 451 01 | insert | /LL | 1 | I098 | | | | | | |
| 36 | 997 552 452 01 | insert | /RL | 1 | I099 | | | | | | |
| 37 | 997 552 649 01 | hinge bolt glove compartment | | 2 | | | | | | | |
| | | - - - E N D - - - | | | | | | | | | |

| | | | | | | | | | | | |
|-------|------|----|----|--------------|--------------|--------|-------|------------|---------|-----|---------|
| Model | Year | MG | SG | Illustration | Restrictions | Update | 10:00 | 30.08.2006 | PORSCHE | PET | PORSCHE |
| 997t | 07 | 8 | 09 | 809-04 | | 203 | | | | | |

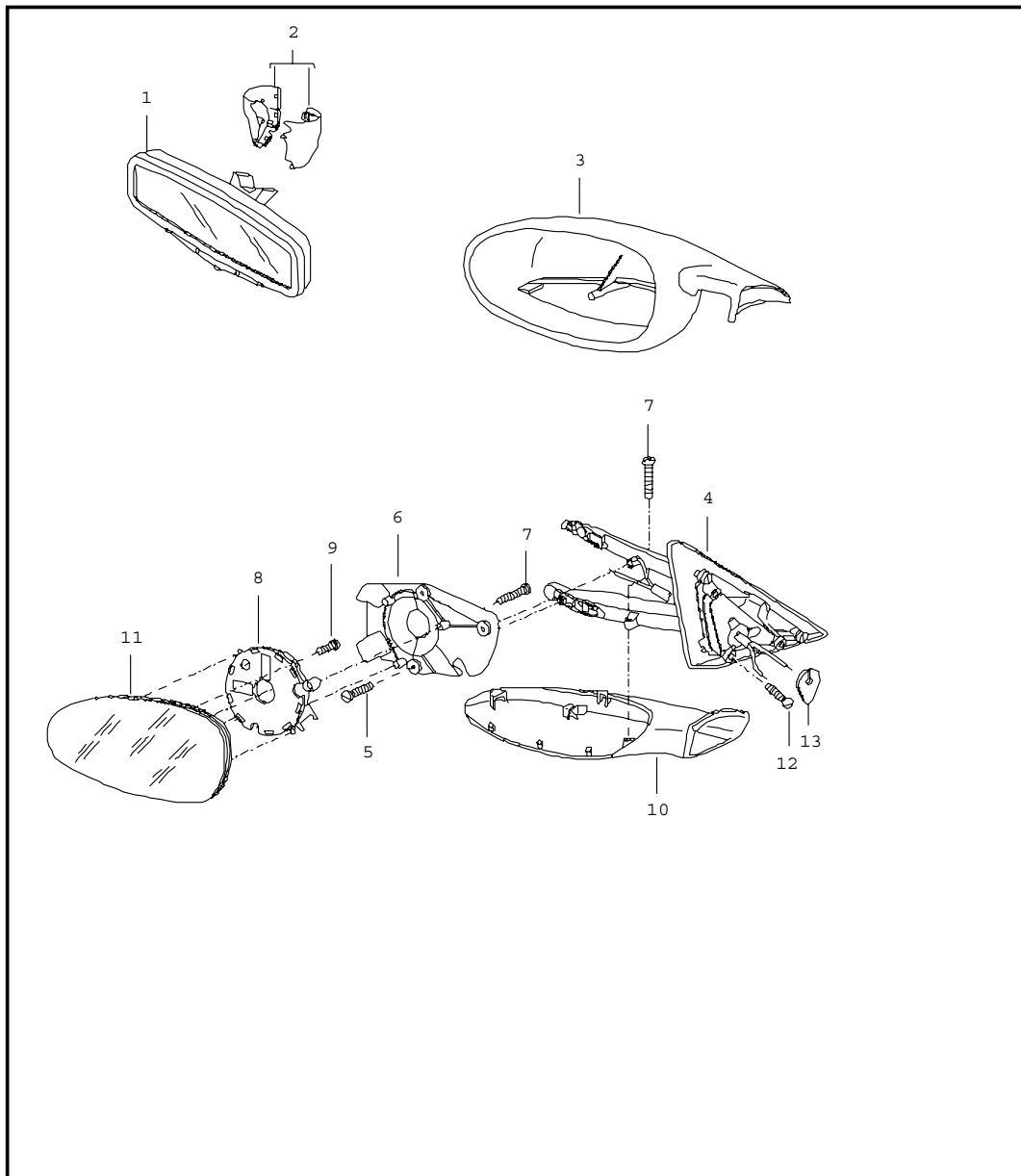


| Pos | Part Number | Name | Remarks | Qty | Model |
|------|------------------|---|---------|-----|-------|
| 1 | 997 552 063 03 | retaining frame dashboard | | 1 | I098 |
| (1) | 997 552 063 04 | retaining frame | /LL | 1 | I099 |
| 2 | 997 552 163 03 | support tunnel | /LL | 1 | I098 |
| (2) | 997 552 163 04 | support tunnel | /RL | 1 | I099 |
| 3 | 999 507 020 02 | speed nut ST 4,2 | | X | |
| 4 | 900 378 175 09 | hexagon-head bolt M 8 X 65 for mount support | | 2 | |
| 9 | 997 552 515 01 | support tunnel | | 1 | |
| 10 | N 999 217 098 01 | screw M 6 X 25 for mount support tunnel | | X | |
| 11 | 997 552 407 01 | support a-pillar | /L | 1 | |
| (11) | 997 552 408 01 | support a-pillar | /R | 1 | |
| 12 | 900 378 176 09 | hexagon-head bolt M 8 X 20 for mount support a-pillar | | 4 | |
| 13 | 999 084 630 09 | hexagon nut M 8 for mount support a-pillar | | 4 | |
| 14 | 997 552 401 00 | support heating | | 1 | |

| | | | | | | | | | | | |
|-------|------|----|----|--------------|--------------|--------|-------|------------|---------|-----|---------|
| Model | Year | MG | SG | Illustration | Restrictions | Update | 10:00 | 30.08.2006 | PORSCHE | PET | PORSCHE |
| 997t | 07 | 8 | 09 | 809-04 | | 203 | | | | | |

| Pos | Part Number | Name | Remarks | Qty | Model | Pos | Part Number | Name | Remarks | Qty | Model |
|-----|----------------|--|---------|-----|-------|-----|-------------|------|---------|-----|-------|
| 15 | 999 073 155 09 | tapping screw ST 4,2 X 13 for mount support heating | | 1 | | | | | | | |
| 16 | 997 423 299 01 | nut for adjustment retaining frame firewall | | 2 | | | | | | | |
| 17 | 999 507 971 01 | speed nut ST 4,2 for mount support heating | | 1 | | | | | | | |
| 18 | 997 552 603 01 | reinforcement plate support airbag | | 1 | | | | | | | |
| 19 | 900 378 222 09 | hexagon-head bolt M 6 X 16 | | 4 | | | | | | | |
| 20 | 999 591 850 02 | speed nut ST 4,2 | | X | | | | | | | |
| 21 | 999 591 951 03 | speed nut ST 4,2 | | X | | | | | | | |
| | | - - - E N D - - - | | | | | | | | | |

| | | | | | | | | | | | |
|-------|------|----|----|--------------|--------------|--------|-------|------------|---------|-----|---------|
| Model | Year | MG | SG | Illustration | Restrictions | Update | 10:00 | 30.08.2006 | PORSCHE | PET | PORSCHE |
| 997t | 07 | 8 | 09 | 809-10 | | 203 | | | | | |

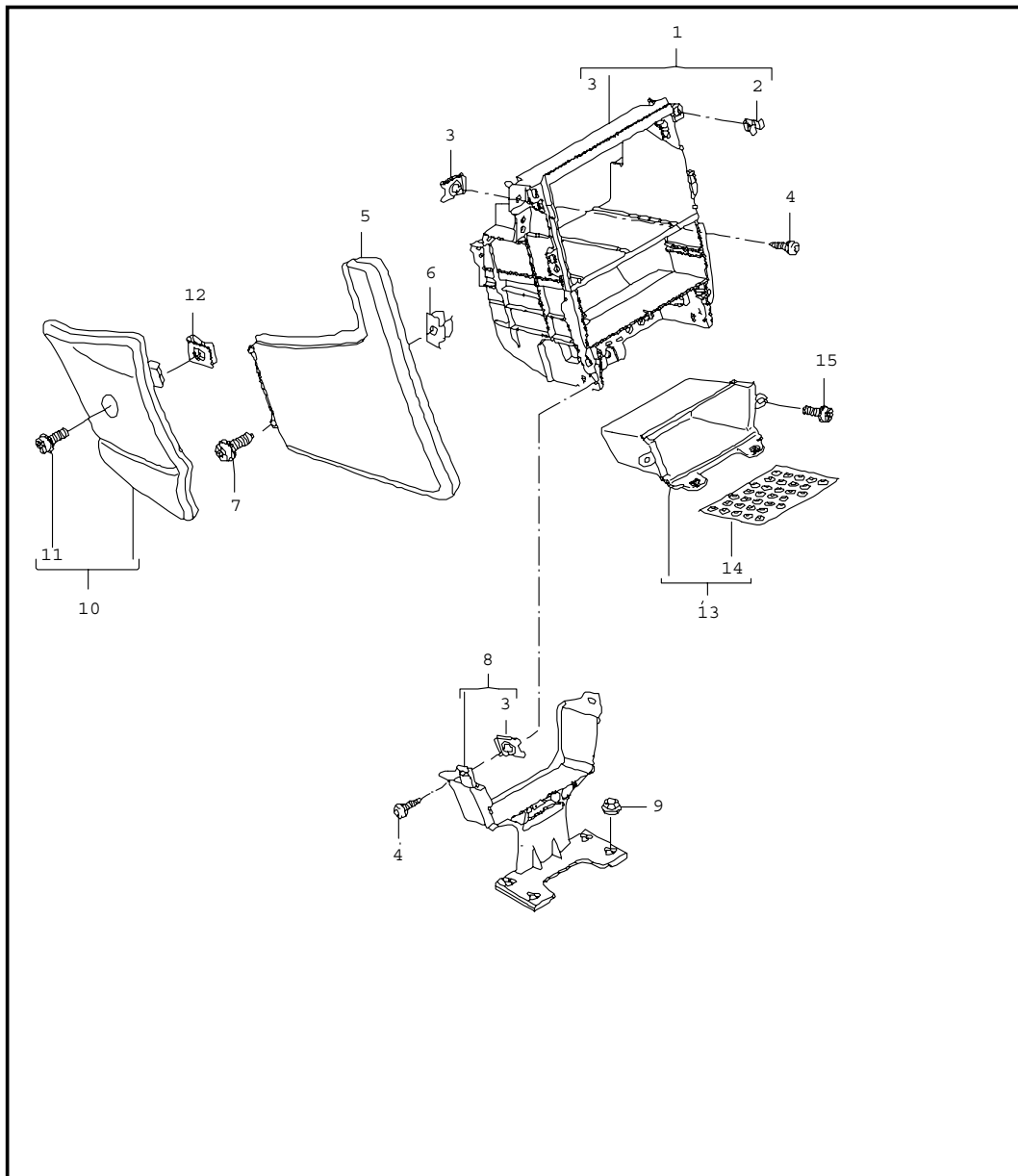


| Pos | Part Number | Name | Remarks | Qty | Model |
|-----|----------------|--------------------------------|---------|-----|--------------|
| | | interior mirror door mirror | | | |
| 1 | 997 731 511 03 | interior mirror | | 1 | I267 |
| 2 | 997 731 811 00 | cover interior mirror | /L | 1 | |
| | 01C | satin black | | | |
| (2) | 997 731 812 00 | cover interior mirror | /R | 1 | |
| | 01C | satin black | | | |
| 3 | 997 731 619 00 | housing | /L | 1 | |
| | G2L | prime coated | | | |
| (3) | 997 731 620 00 | housing | /R | 1 | |
| | G2L | prime coated | | | |
| (4) | 997 731 219 02 | mirror base door mirror | /LL/L | 1 | I098/267 |
| | G2L | prime coated | | | |
| (4) | 997 731 220 02 | mirror base door mirror | /LL/R | 1 | I098/267 |
| | G2L | prime coated | | | |
| (4) | 997 731 219 03 | mirror base door mirror | /LL/L | 1 | I267/537/098 |
| | G2L | prime coated | | | |
| (4) | 997 731 220 03 | mirror base door mirror | /LL/R | 1 | I267/537/098 |
| | G2L | prime coated | | | |
| (4) | 997 731 219 06 | mirror base door mirror | /RL/L | 1 | I099/267 |
| | G2L | prime coated | | | |
| (4) | 997 731 220 06 | mirror base door mirror | /RL/R | 1 | I099/267 |
| | G2L | prime coated | | | |
| (4) | 997 731 219 07 | mirror base door mirror | RL/L | 1 | I267/538/099 |
| | G2L | prime coated | | | |

| | | | | | | | | | | | |
|-------|------|----|----|--------------|--------------|--------|-------|------------|---------|-----|---------|
| Model | Year | MG | SG | Illustration | Restrictions | Update | 10:00 | 30.08.2006 | PORSCHE | PET | PORSCHE |
| 997t | 07 | 8 | 09 | 809-10 | | 203 | | | | | |

| Pos | Part Number | Name | Remarks | Qty | Model | Pos | Part Number | Name | Remarks | Qty | Model |
|------|----------------|---------------------------------------|---------|-----|-------------------|------|----------------|---------------------------------------|---------|-----|--------------|
| (4) | 997 731 220 07 | mirror base door mirror | RL/R | 1 | I267/538/099 | (11) | 997 731 036 02 | mirror glass plan dipping | /RL/R | 1 | I099/267/270 |
| | G2L | prime coated | | | | | | | | | |
| 5 | 999 919 024 09 | oval-head screw 3,0 X 12 | | 3 | | (11) | 997 731 036 03 | mirror glass aspherical dipping | /RL/R | 1 | I099/267/271 |
| 6 | 997 731 519 00 | plate door mirror | /L | 1 | | 12 | 999 073 345 09 | lens-head screw M 5 X 18 | | 3 | |
| (6) | 997 731 520 00 | plate door mirror | /R | 1 | | 13 | 997 537 731 00 | seal cable plug mirror base | | 1 | |
| 7 | 999 141 043 02 | oval-head screw M 3 X 14 | | 4 | | | | | | | |
| (8) | 997 624 048 00 | adjusting motor | | 2 | I537/538 | | | | | | |
| 9 | 999 141 043 02 | oval-head screw M 3,0 X 14 | | 3 | | | | | | | |
| 10 | 997 731 719 00 | cover lower | /L | 1 | | | | | | | |
| | G2L | prime coated | | | | | | | | | |
| (10) | 997 731 720 00 | cover lower | /R | 1 | | | | | | | |
| | G2L | prime coated | | | | | | | | | |
| (11) | 997 731 035 02 | mirror glass plan dipping | /LL/L | 1 | I098/267/270 | | | | | | |
| (11) | 997 731 035 03 | mirror glass aspherical dipping | /LL/L | 1 | I098/267/271 | | | | | | |
| (11) | 997 731 037 01 | mirror glass convex dipping | /RL/L | 1 | I099/267 | | | | | | |
| (11) | 997 731 038 03 | mirror glass convex dipping | /LL/R | 1 | I098/267 | | | | | | |
| (11) | 997 731 038 04 | mirror glass convex dipping | /LL/R | 1 | I267/098 (ROK) | | | | | | |
| (11) | 997 731 038 05 | mirror glass convex dipping | /LL/R | 1 | I215/267/098 | | | | | | |
| | | | | | | | | - - - E N D - - - | | | |

| | | | | | | | | | | | |
|-------|------|----|----|--------------|--------------|--------|-------|------------|---------|-----|---------|
| Model | Year | MG | SG | Illustration | Restrictions | Update | 10:00 | 30.08.2006 | PORSCHE | PET | PORSCHE |
| 997t | 07 | 8 | 09 | 809-15 | | 203 | | | | | |



| Pos | Part Number | Name | Remarks | Qty | Model |
|-----|----------------|------------------------------|---------|-----|-----------|
| 1 | 997 553 111 02 | centre console front | | 1 | |
| 2 | 999 507 476 01 | bracket centre console front | | 6 | |
| 3 | 999 507 971 01 | clamp 8,0 X 10,0/2,5 | | X | |
| 4 | 999 073 155 09 | speed nut st 4,2 | | X | |
| 5 | 997 553 117 06 | tapping screw st 4,2 x 13 | | 1 | I098/I618 |
| | | cover lateral leather | /LL/L | 1 | I098/I618 |
| | FSA | black/grey | | | |
| | FSB | stone grey/stone grey | | | |
| | FSC | sand beige/sand beige | | | |
| | FSD | seeblue/grey | | | |
| | FSE | palm-green/palm-green | | | |
| | FSF | terrakotta/terrakotta | | | |
| | FSG | cocoa/cocoa | | | |
| | FSH | darkgrey natural/grey | | | |
| | FSJ | brown nat./brown nat. | | | |
| 5 | 997 553 117 06 | cover lateral leather | /LL/L | 1 | I098/I668 |
| | FSA | black/grey | | | |
| | FSB | stone grey/stone grey | | | |
| | FSC | sand beige/sand beige | | | |
| | FSD | seeblue/grey | | | |
| | FSE | palm-green/palm-green | | | |
| | FSF | terrakotta/terrakotta | | | |
| | FSG | cocoa/cocoa | | | |
| | FSH | darkgrey natural/grey | | | |

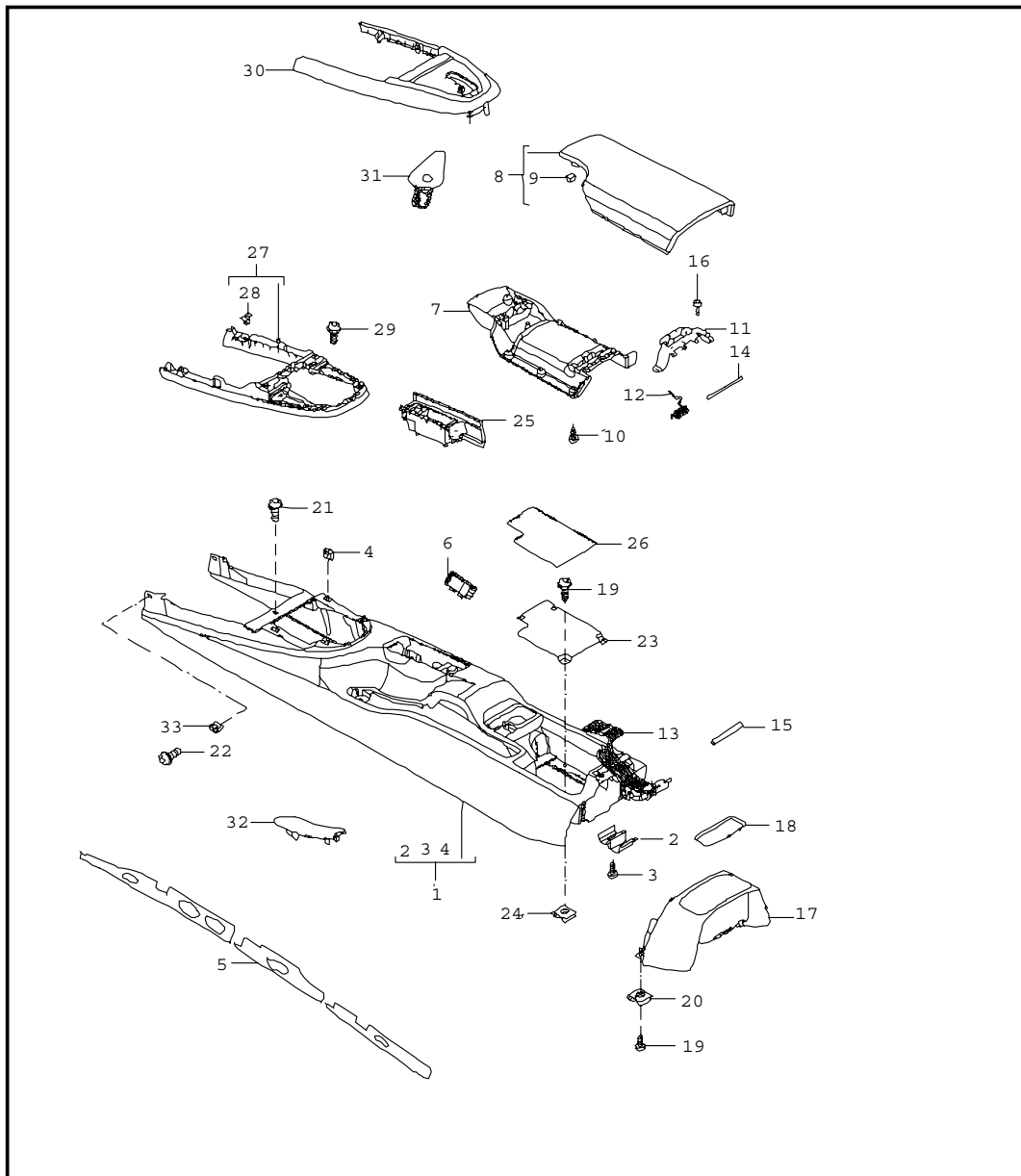
| | | | | | | | | | | | |
|-------|------|----|----|--------------|--------------|--------|-------|------------|---------|-----|---------|
| Model | Year | MG | SG | Illustration | Restrictions | Update | 10:00 | 30.08.2006 | PORSCHE | PET | PORSCHE |
| 997t | 07 | 8 | 09 | 809-15 | | 203 | | | | | |

| Pos | Part Number | Name | Remarks | Qty | Model | Pos | Part Number | Name | Remarks | Qty | Model |
|-----|----------------|--|---------|-----|-----------|-----|----------------|---|---------|-----|-------|
| 5 | 997 553 117 06 | FSJ brown nat./brown nat. cover lateral leather | /L | 1 | I981 | | FSE | palm-green/palm-green | | | |
| | | FSA black/grey | | | | | FSF | terrakotta/terrakotta | | | |
| | | FSB stone grey/stone grey | | | | | FSG | cocoa/cocoa | | | |
| | | FSC sand beige/sand beige | | | | (5) | 997 553 118 06 | cover lateral leather | /R | 1 | I981 |
| | | FSD seeblue/grey | | | | | FSA | black/grey | | | |
| | | FSE palm-green/palm-green | | | | | FSB | stone grey/stone grey | | | |
| | | FSF terrakotta/terrakotta | | | | | FSC | sand beige/sand beige | | | |
| | | FSG cocoa/cocoa | | | | | FSD | seeblue/grey | | | |
| | | FSH darkgrey natural/grey | | | | | FSE | palm-green/palm-green | | | |
| (5) | 997 553 118 06 | FSJ brown nat./brown nat. cover lateral leather | /RL/R | 1 | I099/I618 | | FSF | terrakotta/terrakotta | | | |
| | | FSA black/grey | | | | | FSG | cocoa/cocoa | | | |
| | | FSB stone grey/stone grey | | | | | FSH | darkgrey natural/grey | | | |
| | | FSC sand beige/sand beige | | | | | FSJ | brown nat./brown nat. | | | |
| | | FSD seeblue/grey | | | | | | cover lateral with preparation for telephone see group 9/11/10 | | 1 | |
| | | FSE palm-green/palm-green | | | | 6 | 999 591 508 02 | captive nut ST 4,2 for mount cover lateral | | 4 | |
| | | FSF terrakotta/terrakotta | | | | | | | | | |
| | | FSG cocoa/cocoa | | | | | | | | | |
| | | FSH darkgrey natural/grey | | | | | | | | | |
| (5) | 997 553 118 06 | FSJ brown nat./brown nat. cover lateral leather | /RL/R | 1 | I099/I668 | 7 | 999 073 226 09 | tapping screw ST 4,2 X 16 for mount cover lateral | | 4 | |
| | | FSA black/grey | | | | | | | | | |
| | | FSB stone grey/stone grey | | | | | | | | | |
| | | FSC sand beige/sand beige | | | | 8 | 997 553 361 01 | support centre | | 1 | |
| | | FSD seeblue/grey | | | | | | | | | |
| | | | | | | 9 | 999 084 629 09 | hexagon nut m 6 | | 4 | |

| | | | | | | | | | | | |
|-------|------|----|----|--------------|--------------|--------|-------|------------|---------|-----|---------|
| Model | Year | MG | SG | Illustration | Restrictions | Update | 10:00 | 30.08.2006 | PORSCHE | PET | PORSCHE |
| 997t | 07 | 8 | 09 | 809-15 | | 203 | | | | | |

| Pos | Part Number | Name | Remarks | Qty | Model | Pos | Part Number | Name | Remarks | Qty | Model |
|------|----------------|---|---------|-----|----------|-----|----------------|--|---------|-----|-------|
| 10 | 997 553 131 01 | cover footwell outlet vent carpet | /L | 1 | | | M10 | terracotta | | | |
| | A10 | black | | | | | R10 | cocoa | | | |
| | B10 | stone grey | | | | | D11 | dark grey/natural | | | |
| | T10 | sand beige | | | | | T11 | brown/natural | | | |
| | E10 | sea blue | | | | 11 | 999 073 223 07 | oval-head screw M 6 X 25 for mount cover footwell outlet vent | | 2 | |
| | J10 | palmgreen | | | | 12 | 999 507 766 02 | speed nut M 6 for mount cover footwell outlet vent | | 2 | |
| | M10 | terracotta | | | | 13 | 997 553 143 01 | shelf centre console front | | 1 | |
| | R10 | cocoa | | | | | D07 | volcano grey | | | |
| | D11 | dark grey/natural | | | | 14 | 997 553 543 01 | insert shelf | | 1 | |
| | T11 | brown/natural | | | | 15 | 999 919 164 09 | oval-head screw 5,0 X 12,0 for mount shelf | | 3 | |
| (10) | 997 553 132 01 | cover footwell outlet vent carpet | /LL/R | 1 | I098/621 | | | | | | |
| | A10 | black | | | | | | | | | |
| | B10 | stone grey | | | | | | | | | |
| | T10 | sand beige | | | | | | | | | |
| | E10 | sea blue | | | | | | | | | |
| | J10 | palmgreen | | | | | | | | | |
| | M10 | terracotta | | | | | | | | | |
| | R10 | cocoa | | | | | | | | | |
| | D11 | dark grey/natural | | | | | | | | | |
| | T11 | brown/natural | | | | | | | | | |
| (10) | 997 553 132 02 | cover footwell outlet vent carpet | /R | 1 | | | | | | | |
| | A10 | black | | | | | | | | | |
| | B10 | stone grey | | | | | | | | | |
| | T10 | sand beige | | | | | | | | | |
| | E10 | sea blue | | | | | | | | | |
| | J10 | palmgreen | | | | | | | | | |
| | | | | | | | | - - - E N D - - - | | | |

| | | | | | | | | | | | |
|-------|------|----|----|--------------|--------------|--------|-------|------------|---------|-----|---------|
| Model | Year | MG | SG | Illustration | Restrictions | Update | 10:01 | 30.08.2006 | PORSCHE | PET | PORSCHE |
| 997t | 07 | 8 | 09 | 809-20 | | 203 | | | | | |



| Pos | Part Number | Name | Remarks | Qty | Model |
|-----|----------------|----------------------------------|---------|-----|----------|
| 1 | 997 553 211 01 | centre console rear lacquered | | 1 | |
| | A03 | black | | | |
| | 5V7 | stone grey | | | |
| | 5Z1 | sand beige | | | |
| | 8W7 | sea blue | | | |
| | 5Y2 | palmgreen | | | |
| | 8X8 | terracotta | | | |
| | 8P9 | cocoa | | | |
| | T13 | brown/natural | | | |
| | 5X6 | stone grey | | | |
| | 8G2 | sand beige | | | |
| | 3S9 | sea blue | | | |
| | 4P2 | palmgreen | | | |
| | 9S5 | terracotta | | | |
| | 9V6 | cocoa | | | |
| | D12 | dark grey/natural | | | |
| | T12 | brown/natural | | | |
| (1) | 997 553 980 00 | centre console rear leather | | 1 | IXMZ/438 |
| | A11 | black | | | |
| | 5X6 | stone grey | | | |
| | 8G2 | sand beige | | | |
| | 3S9 | sea blue | | | |
| | 4P2 | palmgreen | | | |
| | 9S5 | terracotta | | | |
| | 9V6 | cocoa | | | |

| | | | | | | | | | | | |
|-------|------|----|----|--------------|--------------|--------|-------|------------|---------|-----|---------|
| Model | Year | MG | SG | Illustration | Restrictions | Update | 10:01 | 30.08.2006 | PORSCHE | PET | PORSCHE |
| 997t | 07 | 8 | 09 | 809-20 | | 203 | | | | | |

| Pos | Part Number | Name | Remarks | Qty | Model | Pos | Part Number | Name | Remarks | Qty | Model | | | |
|-----|----------------|-----------------------|---------|-----|----------|-----|----------------|----------------|---------|-----|----------|--|--|--|
| (1) | 997 553 980 24 | D12 dark grey/natural | | 1 | IXMZ/376 | (1) | 997 553 980 28 | centre console | | 1 | IXMJ/376 | | | |
| | | T12 brown/natural | | | | | | | | | | | | |
| | | rear leather | | | | | | | | | | | | |
| | | A11 black | | | | | | | | | | | | |
| | | 5X6 stone grey | | | | | | | | | | | | |
| | | 8G2 sand beige | | | | | | | | | | | | |
| | | 3S9 sea blue | | | | | | | | | | | | |
| | | 4P2 palmgreen | | | | | | | | | | | | |
| | | 9S5 terracotta | | | | | | | | | | | | |
| | | 9V6 cocoa | | | | | | | | | | | | |
| (1) | 997 553 980 24 | D12 dark grey/natural | | 1 | IXMZ/378 | (1) | 997 553 980 28 | centre console | | 1 | IXMJ/378 | | | |
| | | T12 brown/natural | | | | | | | | | | | | |
| | | rear leather | | | | | | | | | | | | |
| | | A11 black | | | | | | | | | | | | |
| | | 5X6 stone grey | | | | | | | | | | | | |
| | | 8G2 sand beige | | | | | | | | | | | | |
| | | 3S9 sea blue | | | | | | | | | | | | |
| | | 4P2 palmgreen | | | | | | | | | | | | |
| | | 9S5 terracotta | | | | | | | | | | | | |
| | | 9V6 cocoa | | | | | | | | | | | | |
| (1) | 997 553 980 01 | D12 dark grey/natural | | 1 | IXMJ/438 | (1) | 997 553 980 02 | centre console | | 1 | IXJU/438 | | | |
| | | T12 brown/natural | | | | | | | | | | | | |
| | | rear carbon | | | | | | | | | | | | |
| | | A35 black | | | | | | | | | | | | |
| | | | | | | | | | | | | | | |
| | | | | | | | | | | | | | | |
| | | | | | | | | | | | | | | |
| | | | | | | | | | | | | | | |
| | | | | | | | | | | | | | | |
| | | | | | | | | | | | | | | |
| (1) | 997 553 980 01 | D12 dark grey/natural | | 1 | IXMJ/438 | (1) | 997 553 980 32 | centre console | | 1 | IXJU/376 | | | |
| | | T12 brown/natural | | | | | | | | | | | | |
| | | rear leather | | | | | | | | | | | | |
| | | A11 black | | | | | | | | | | | | |
| | | 5X6 stone grey | | | | | | | | | | | | |
| | | 8G2 sand beige | | | | | | | | | | | | |
| | | 3S9 sea blue | | | | | | | | | | | | |
| | | 4P2 palmgreen | | | | | | | | | | | | |
| | | 9S5 terracotta | | | | | | | | | | | | |
| | | 9V6 cocoa | | | | | | | | | | | | |
| (1) | 997 553 980 01 | D12 dark grey/natural | | 1 | IXMJ/438 | (1) | 997 553 980 32 | centre console | | 1 | IXJU/378 | | | |
| | | T12 brown/natural | | | | | | | | | | | | |
| | | rear leather | | | | | | | | | | | | |
| | | A11 black | | | | | | | | | | | | |
| | | 5X6 stone grey | | | | | | | | | | | | |
| | | 8G2 sand beige | | | | | | | | | | | | |
| | | 3S9 sea blue | | | | | | | | | | | | |
| | | 4P2 palmgreen | | | | | | | | | | | | |
| | | 9S5 terracotta | | | | | | | | | | | | |
| | | 9V6 cocoa | | | | | | | | | | | | |
| (1) | 997 553 980 01 | D12 dark grey/natural | | 1 | IXMJ/438 | (1) | 997 553 980 03 | centre console | | 1 | IXJT/438 | | | |
| | | T12 brown/natural | | | | | | | | | | | | |
| | | rear carbon | | | | | | | | | | | | |
| | | A35 black | | | | | | | | | | | | |
| | | | | | | | | | | | | | | |
| | | | | | | | | | | | | | | |
| | | | | | | | | | | | | | | |
| | | | | | | | | | | | | | | |
| | | | | | | | | | | | | | | |
| | | | | | | | | | | | | | | |
| (1) | 997 553 980 01 | D12 dark grey/natural | | 1 | IXMJ/438 | (1) | 997 553 980 36 | centre console | | 1 | IXJT/376 | | | |
| | | T12 brown/natural | | | | | | | | | | | | |
| | | rear carbon | | | | | | | | | | | | |
| | | A35 black | | | | | | | | | | | | |
| | | | | | | | | | | | | | | |
| | | | | | | | | | | | | | | |
| | | | | | | | | | | | | | | |
| | | | | | | | | | | | | | | |
| | | | | | | | | | | | | | | |
| | | | | | | | | | | | | | | |
| (1) | 997 553 980 01 | D12 dark grey/natural | | 1 | IXMJ/438 | (1) | 997 553 980 36 | centre console | | 1 | IXJT/378 | | | |
| | | T12 brown/natural | | | | | | | | | | | | |
| | | rear carbon | | | | | | | | | | | | |
| | | A35 black | | | | | | | | | | | | |
| | | | | | | | | | | | | | | |
| | | | | | | | | | | | | | | |
| | | | | | | | | | | | | | | |
| | | | | | | | | | | | | | | |
| | | | | | | | | | | | | | | |
| | | | | | | | | | | | | | | |
| (1) | 997 553 980 01 | D12 dark grey/natural | | 1 | IXMJ/438 | (1) | 997 553 980 04 | centre console | | 1 | IXCK/438 | | | |
| | | T12 brown/natural | | | | | | | | | | | | |
| | | rear carbon | | | | | | | | | | | | |
| | | A35 black | | | | | | | | | | | | |
| | | | | | | | | | | | | | | |
| | | | | | | | | | | | | | | |
| | | | | | | | | | | | | | | |
| | | | | | | | | | | | | | | |
| | | | | | | | | | | | | | | |
| | | | | | | | | | | | | | | |
| (1) | 997 553 980 01 | D12 dark grey/natural | | 1 | IXMJ/438 | (1) | 997 553 980 40 | centre console | | 1 | XCK/376 | | | |
| | | T12 brown/natural | | | | | | | | | | | | |
| | | rear carbon | | | | | | | | | | | | |
| | | A35 black | | | | | | | | | | | | |
| | | | | | | | | | | | | | | |
| | | | | | | | | | | | | | | |
| | | | | | | | | | | | | | | |
| | | | | | | | | | | | | | | |
| | | | | | | | | | | | | | | |
| | | | | | | | | | | | | | | |

| | | | | | | | | | | | |
|-------|------|----|----|--------------|--------------|--------|-------|------------|---------|-----|---------|
| Model | Year | MG | SG | Illustration | Restrictions | Update | 10:01 | 30.08.2006 | PORSCHE | PET | PORSCHE |
| 997t | 07 | 8 | 09 | 809-20 | | 203 | | | | | |

| Pos | Part Number | Name | Remarks | Qty | Model | Pos | Part Number | Name | Remarks | Qty | Model |
|-----|----------------|--|---------|-----|----------|-----|----------------|------------------------|---------|-----|----------|
| (1) | 997 553 980 40 | V04 galvano silver centre console rear | | 1 | XCK/378 | | 92U | arctic silver metallic | | | |
| (1) | 997 553 980 05 | V04 galvano silver centre console rear | | 1 | IXME/438 | | M3W | carmon red metallic | | | |
| | 041 | black | | | | | M5W | lapis blue metallic | | | |
| | 84A | guards red | | | | | M6W | lagoon green metallic | | | |
| | B9A | carrara white | | | | | C9Z | basalt black metallic | | | |
| | 12H | speed yellow | | | | | M7X | atlas grey metallic | | | |
| | 92U | arctic silver metallic | | | | | 39C | midnight blue metallic | | | |
| | M3W | carmon red metallic | | | | | M7W | meteor grey metallic | | | |
| | M5W | lapis blue metallic | | | | | 2B4 | forest green metallic | | | |
| | M6W | lagoon green metallic | | | | (1) | 997 553 980 44 | centre console | | 1 | IXME/378 |
| | C9Z | basalt black metallic | | | | | | rear | | | |
| | M7X | atlas grey metallic | | | | | 041 | black | | | |
| | 39C | midnight blue metallic | | | | | 84A | guards red | | | |
| | M7W | meteor grey metallic | | | | | B9A | carrara white | | | |
| | 2B4 | forest green metallic | | | | | 12H | speed yellow | | | |
| | 3C8 | cobalt blue metallic | | | | | 92U | arctic silver metallic | | | |
| | 23F | slate grey metallic | | | | | M3W | carmon red metallic | | | |
| | M7Z | gt silver metallic | | | | | M5W | lapis blue metallic | | | |
| | M6X | dark olive-metallic | | | | | M6W | lagoon green metallic | | | |
| (1) | 997 553 980 44 | centre console rear | | 1 | IXME/376 | | C9Z | basalt black metallic | | | |
| | 041 | black | | | | | M7X | atlas grey metallic | | | |
| | 84A | guards red | | | | | 39C | midnight blue metallic | | | |
| | B9A | carrara white | | | | | M7W | meteor grey metallic | | | |
| | 12H | speed yellow | | | | | 2B4 | forest green metallic | | | |
| | | | | | | | 3C8 | cobalt blue metallic | | | |

| | | | | | | | | | | | |
|-------|------|----|----|--------------|--------------|--------|-------|------------|---------|-----|---------|
| Model | Year | MG | SG | Illustration | Restrictions | Update | 10:01 | 30.08.2006 | PORSCHE | PET | PORSCHE |
| 997t | 07 | 8 | 09 | 809-20 | | 203 | | | | | |

| Pos | Part Number | Name | Remarks | Qty | Model | Pos | Part Number | Name | Remarks | Qty | Model |
|-----|----------------|--|---------|-----|-------|-----|----------------|---|---------|-----|-------|
| | 23F | slate grey metallic | | | | | 8G2 | sand beige | | | |
| | M7Z | gt silver metallic | | | | | 3S9 | sea blue | | | |
| | M6X | dark olive-metallic | | | | | 4P2 | palmgreen | | | |
| 2 | 997 553 575 01 | insert locking device centre console | | 1 | | | 9S5 | terracotta | | | |
| | 01C | satin black | | | | | 9V6 | cocoa | | | |
| 3 | 999 919 162 09 | oval-head screw 4 X 8 for mount insert locking device | | 1 | | | D12 | dark grey/natural | | | |
| | | | | | | 9 | 999 507 972 01 | speed nut 3,5 for mount cover outer | | 8 | |
| 4 | 999 591 214 40 | expander nut 4,2 | | 4 | | 10 | 999 073 153 07 | tapping screw 3,5 X 14 for mount cover outer | | 8 | |
| 5 | 997 553 843 00 | sound absorber | /L | 1 | | | | | | | |
| (5) | 997 553 844 00 | sound absorber | /R | 1 | | | | | | | |
| 6 | 997 553 579 00 | cover lacquered | | 1 | | 11 | 997 553 437 01 | hinge | | 1 | |
| | A03 | black | | | | 12 | 997 553 439 00 | spring | | 1 | |
| | 5V7 | stone grey | | | | 13 | 997 553 441 00 | belt | | 1 | |
| | 5Z1 | sand beige | | | | 14 | 997 553 447 00 | axle | | 1 | |
| | 8W7 | sea blue | | | | 15 | 997 553 733 00 | retaining pin | | 1 | |
| | 5Y2 | palmgreen | | | | 16 | 999 919 159 09 | oval-head screw M4X12 | | X | |
| | 8X8 | terracotta | | | | 17 | 997 553 221 01 | extension centre console lacquered | | 1 | |
| | 8P9 | cocoa | | | | | A03 | black | | | |
| | T13 | brown/natural | | | | | 5V7 | stone grey | | | |
| 7 | 997 553 433 01 | cover inner | | 1 | | | 5Z1 | sand beige | | | |
| | 01C | satin black | | | | | 8W7 | sea blue | | | |
| 8 | 997 553 231 01 | cover outer leather | | 1 | | | 5Y2 | palmgreen | | | |
| | A11 | black | | | | | 8X8 | terracotta | | | |
| | 5X6 | stone grey | | | | | 8P9 | cocoa | | | |

| | | | | | | | | | | | |
|-------|------|----|----|--------------|--------------|--------|-------|------------|---------|-----|---------|
| Model | Year | MG | SG | Illustration | Restrictions | Update | 10:01 | 30.08.2006 | PORSCHE | PET | PORSCHE |
| 997t | 07 | 8 | 09 | 809-20 | | 203 | | | | | |

| Pos | Part Number | Name | Remarks | Qty | Model | Pos | Part Number | Name | Remarks | Qty | Model |
|------|----------------|---|---------|-----|-------|------|----------------|---|---------|-----|-------|
| (17) | 997 553 983 00 | T13 brown/natural extension centre console leather | | 1 | IXMZ | (17) | 997 553 983 03 | 4P2 palmgreen 9S5 terracotta 9V6 cocoa D12 dark grey/natural T12 brown/natural extension centre console leather | | 1 | IXJT |
| (17) | 997 553 983 01 | A11 black 5X6 stone grey 8G2 sand beige 3S9 sea blue 4P2 palmgreen 9S5 terracotta 9V6 cocoa D12 dark grey/natural T12 brown/natural extension centre console leather | | 1 | IXMJ | (17) | 997 553 983 04 | A11 black 5X6 stone grey 8G2 sand beige 3S9 sea blue 4P2 palmgreen 9S5 terracotta 9V6 cocoa D12 dark grey/natural T12 brown/natural extension centre console leather | | 1 | IXCK |
| (17) | 997 553 983 02 | A11 black 5X6 stone grey 8G2 sand beige 3S9 sea blue extension centre console leather | | 1 | IXJU | (17) | 997 553 983 05 | 4P2 palmgreen 9S5 terracotta 9V6 cocoa D12 dark grey/natural T12 brown/natural extension centre console lacquered | | 1 | IXME |

| | | | | | | | | | | | |
|-------|------|----|----|--------------|--------------|--------|-------|------------|---------|-----|---------|
| Model | Year | MG | SG | Illustration | Restrictions | Update | 10:01 | 30.08.2006 | PORSCHE | PET | PORSCHE |
| 997t | 07 | 8 | 09 | 809-20 | | 203 | | | | | |

| Pos | Part Number | Name | Remarks | Qty | Model | Pos | Part Number | Name | Remarks | Qty | Model |
|-----|----------------|---------------------------|---------|-----|-------|------|----------------|---------------------------|---------|-----|-------|
| | 041 | black | | | | | A03 | black | | | |
| | 84A | guards red | | | | | 5V7 | stone grey | | | |
| | B9A | carrara white | | | | | 5Z1 | sand beige | | | |
| | 12H | speed yellow | | | | | 8W7 | sea blue | | | |
| | 92U | arctic silver metallic | | | | | 5Y2 | palmgreen | | | |
| | M3W | carmon red metallic | | | | | 8X8 | terracotta | | | |
| | M5W | lapis blue metallic | | | | | 8P9 | cocoa | | | |
| | M6W | lagoon green metallic | | | | | T13 | brown/natural | | | |
| | C9Z | basalt black metallic | | | | (25) | 997 553 982 00 | ashtray leather | | 1 | IXMZ |
| | M7X | atlas grey metallic | | | | | A11 | black | | | |
| | 39C | midnight blue metallic | | | | | 5X6 | stone grey | | | |
| | M7W | meteor grey metallic | | | | | 8G2 | sand beige | | | |
| | 2B4 | forest green metallic | | | | | 3S9 | sea blue | | | |
| | 3C8 | cobalt blue metallic | | | | | 4P2 | palmgreen | | | |
| | 23F | slate grey metallic | | | | | 9S5 | terracotta | | | |
| | M7Z | gt silver metallic | | | | | 9V6 | cocoa | | | |
| | M6X | dark olive-metallic | | | | | D12 | dark grey/natural | | | |
| 18 | 997 553 625 01 | insert extension | | 1 | | | T12 | brown/natural | | | |
| 19 | 999 073 226 09 | tapping screw 4,2 X 16 | | X | | (25) | 997 553 982 01 | ashtray carbon | | 1 | IXMJ |
| 20 | 999 507 020 02 | speed nut 4,2 | | X | | | A35 | black | | | |
| 21 | 999 919 121 09 | oval-head screw 5 X 16 | | 2 | | (25) | 997 553 982 02 | ashtray | | 1 | IXJU |
| 22 | 999 073 155 09 | tapping screw 4,2 X 13 | | 2 | | (25) | S62 | sycamore wood | | | |
| 23 | 997 553 615 01 | floor centre console | | 1 | | (25) | S61 | makassar | | | |
| 24 | 999 507 971 01 | speed nut 4,2 | | X | | (25) | 997 553 982 04 | ashtray aluminium look | | 1 | IXCK |
| 25 | 997 553 141 02 | ashtray lacquered | | 1 | | (25) | V04 | galvano silver | | | |
| | | | | | | (25) | 997 553 982 05 | ashtray lacquered | | 1 | IXME |

| | | | | | | | | | | | |
|-------|------|----|----|--------------|--------------|--------|-------|------------|---------|-----|---------|
| Model | Year | MG | SG | Illustration | Restrictions | Update | 10:01 | 30.08.2006 | PORSCHE | PET | PORSCHE |
| 997t | 07 | 8 | 09 | 809-20 | | 203 | | | | | |

| Pos | Part Number | Name | Remarks | Qty | Model | Pos | Part Number | Name | Remarks | Qty | Model |
|------|----------------|--|---------|-----|-------|------|----------------|---|---------|-----|-------|
| | 041 | black | | | | | 5Z1 | sand beige | | | |
| | 84A | guards red | | | | | 8W7 | sea blue | | | |
| | B9A | carrara white | | | | | 5Y2 | palmgreen | | | |
| | 12H | speed yellow | | | | | 8X8 | terracotta | | | |
| | 92U | arctic silver metallic | | | | | 8P9 | cocoa | | | |
| | M3W | carmon red metallic | | | | | T13 | brown/natural | | | |
| | M5W | coral metallic | | | | (30) | 997 553 243 01 | cover shift gate lacquered | | 1 | I480 |
| | M6W | lagoon green metallic | | | | | A03 | black | | | |
| | C9Z | basalt black metallic | | | | | 5V7 | stone grey | | | |
| | M7X | atlas grey metallic | | | | | 5Z1 | sand beige | | | |
| | 39C | midnight blue metallic | | | | | 8W7 | sea blue | | | |
| | M7W | meteor grey metallic | | | | | 5Y2 | palmgreen | | | |
| | 2B4 | forest green metallic | | | | | 8X8 | terracotta | | | |
| | 3C8 | cobalt blue metallic | | | | | 8P9 | cocoa | | | |
| | 23F | slate grey metallic | | | | | T13 | brown/natural | | | |
| | M7Z | gt silver metallic | | | | 31 | 996 552 687 00 | slide | | 1 | I249 |
| | M6X | dark olive-metallic | | | | | 01C | satin black | | | |
| 26 | 997 553 611 01 | insert | | 1 | | 32 | 997 553 455 01 | cover parking-brake lever lacquered | | 1 | |
| (27) | 997 553 261 02 | frame lacquered | | 1 | | | A03 | black | | | |
| | V04 | galvano silver | | | | | 5V7 | stone grey | | | |
| 28 | 999 507 533 02 | clamp 8,0 X 10,0/2,5 | | 7 | | | 5Z1 | sand beige | | | |
| 29 | 999 073 155 09 | tapping screw 4,2 X 13 for mount frame | | 4 | | | 8W7 | sea blue | | | |
| 30 | 997 553 241 02 | cover shift gate lacquered | | 1 | I249 | | 5Y2 | palmgreen | | | |
| | A03 | black | | | | | 8X8 | terracotta | | | |
| | 5V7 | stone grey | | | | | 8P9 | cocoa | | | |
| | | | | | | | T13 | brown/natural | | | |
| | | | | | | (32) | 997 553 981 00 | cover parking-brake lever | | 1 | IXCK |

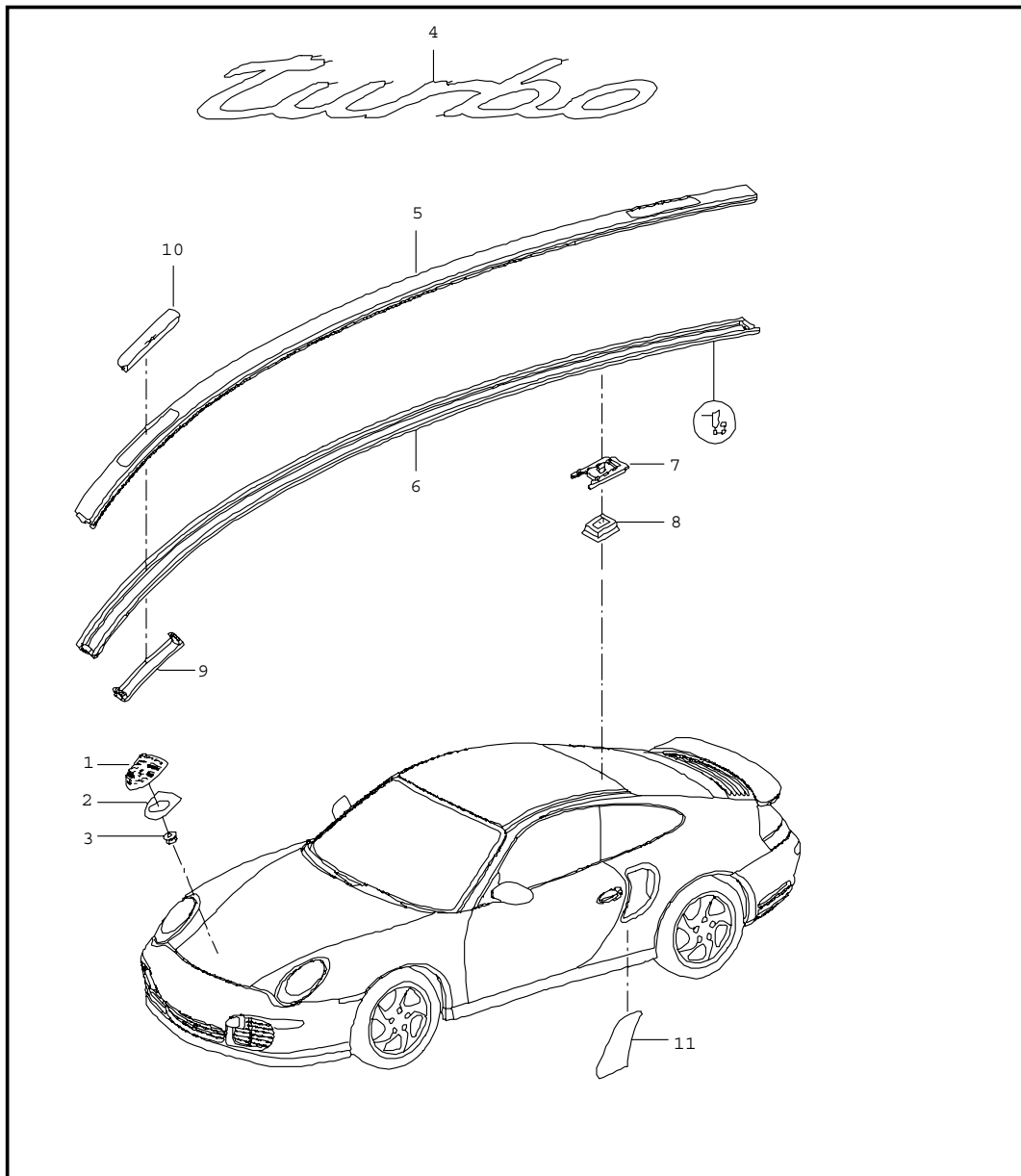
| | | | | | | | | | | | |
|-------|------|----|----|--------------|--------------|--------|-------|------------|---------|-----|---------|
| Model | Year | MG | SG | Illustration | Restrictions | Update | 10:01 | 30.08.2006 | PORSCHE | PET | PORSCHE |
| 997t | 07 | 8 | 09 | 809-20 | | 203 | | | | | |

| Pos | Part Number | Name | Remarks | Qty | Model | Pos | Part Number | Name | Remarks | Qty | Model |
|------|----------------|------------------------------|---------|-----|-------|------|----------------|------------------------------|---------|-----|-------|
| | A11 | black | | | | | T12 | brown/natural | | | |
| | 5X6 | stone grey | | | | (32) | 997 553 981 00 | cover parking-brake lever | | 1 | IXME |
| | 8G2 | sand beige | | | | | A11 | black | | | |
| | 3S9 | sea blue | | | | | 5X6 | stone grey | | | |
| | 4P2 | palmgreen | | | | | 8G2 | sand beige | | | |
| | 9S5 | terracotta | | | | | 3S9 | sea blue | | | |
| | 9V6 | cocoa | | | | | 4P2 | palmgreen | | | |
| | D12 | dark grey/natural | | | | | 9S5 | terracotta | | | |
| | T12 | brown/natural | | | | | 9V6 | cocoa | | | |
| (32) | 997 553 981 00 | cover parking-brake lever | | 1 | IXJT | | D12 | dark grey/natural | | | |
| | A11 | black | | | | | T12 | brown/natural | | | |
| | 5X6 | stone grey | | | | (32) | 997 553 981 00 | cover parking-brake lever | | 1 | IXMJ |
| | 8G2 | sand beige | | | | | A11 | black | | | |
| | 3S9 | sea blue | | | | | 5X6 | stone grey | | | |
| | 4P2 | palmgreen | | | | | 8G2 | sand beige | | | |
| | 9S5 | terracotta | | | | | 3S9 | sea blue | | | |
| | 9V6 | cocoa | | | | | 4P2 | palmgreen | | | |
| | D12 | dark grey/natural | | | | | 9S5 | terracotta | | | |
| | T12 | brown/natural | | | | | 9V6 | cocoa | | | |
| (32) | 997 553 981 00 | cover parking-brake lever | | 1 | IXJU | | D12 | dark grey/natural | | | |
| | A11 | black | | | | | T12 | brown/natural | | | |
| | 5X6 | stone grey | | | | (32) | 997 553 981 06 | cover parking-brake lever | | 1 | IXMZ |
| | 8G2 | sand beige | | | | | A11 | black | | | |
| | 3S9 | sea blue | | | | | 5X6 | stone grey | | | |
| | 4P2 | palmgreen | | | | | 8G2 | sand beige | | | |
| | 9S5 | terracotta | | | | | 3S9 | sea blue | | | |
| | 9V6 | cocoa | | | | | 4P2 | palmgreen | | | |
| | D12 | dark grey/natural | | | | | 9S5 | terracotta | | | |

| | | | | | | | | | | | |
|-------|------|----|----|--------------|--------------|--------|-------|------------|---------|-----|---------|
| Model | Year | MG | SG | Illustration | Restrictions | Update | 10:01 | 30.08.2006 | PORSCHE | PET | PORSCHE |
| 997t | 07 | 8 | 09 | 809-20 | | 203 | | | | | |

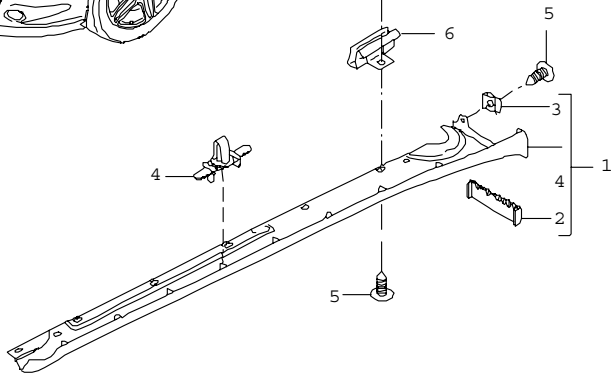
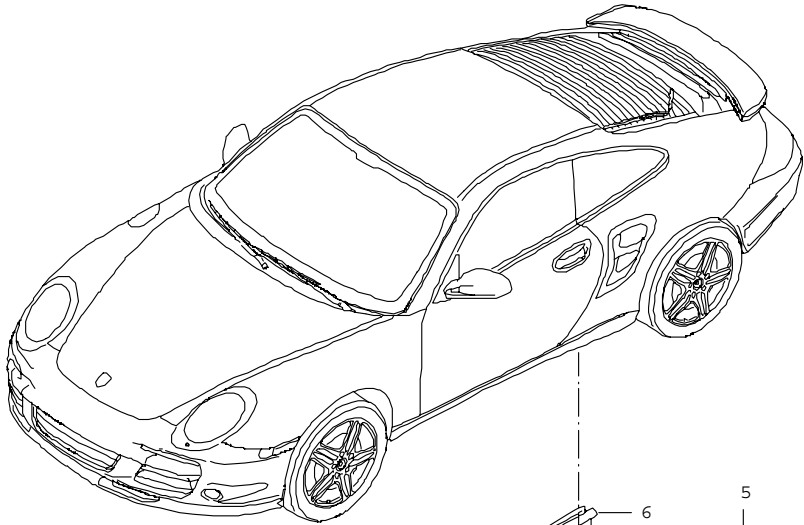
| Pos | Part Number | Name | Remarks | Qty | Model | Pos | Part Number | Name | Remarks | Qty | Model |
|-----|----------------|---------------------|---------|-----|-------|-----|-------------|------|---------|-----|-------|
| | 9V6 | cocoa | | | | | | | | | |
| | D12 | dark grey/natural | | | | | | | | | |
| | T12 | brown/natural | | | | | | | | | |
| 33 | 999 591 215 40 | expander nut 4,2 | | 2 | | | | | | | |
| | | - - - E N D - - - | | | | | | | | | |

| | | | | | | | | | | | |
|-------|------|----|----|--------------|--------------|--------|-------|------------|---------|-----|---------|
| Model | Year | MG | SG | Illustration | Restrictions | Update | 10:01 | 30.08.2006 | PORSCHE | PET | PORSCHE |
| 997t | 07 | 8 | 10 | 810-00 | | 203 | | | | | |



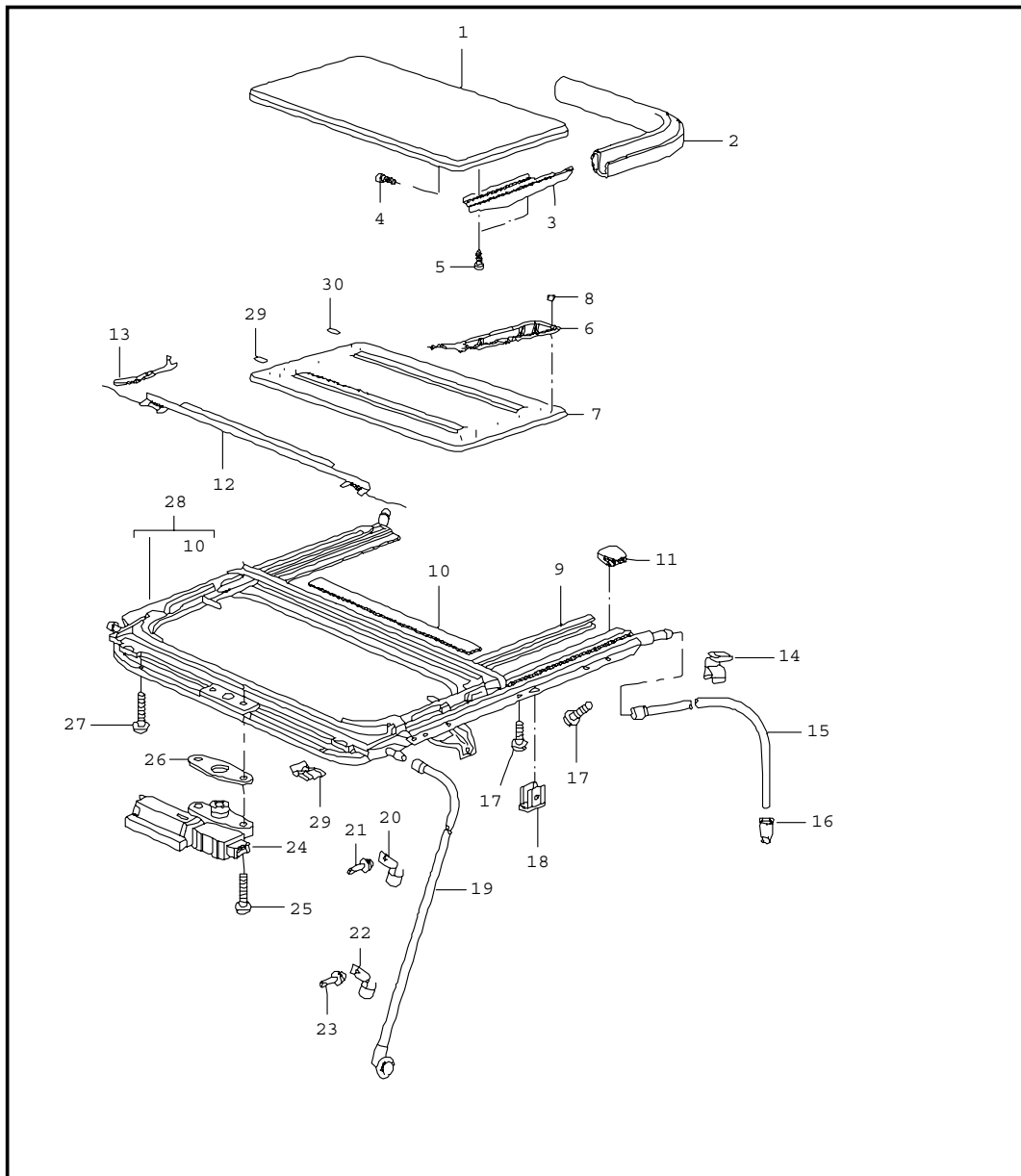
| Pos | Part Number | Name | Remarks | Qty | Model |
|------|----------------|--|---------|-----|-------|
| | | insignias decorative fittings stone guard film | | | |
| 1 | 996 559 211 01 | lid emblem | | 1 | |
| 2 | 7L5 853 611 B | desk pad | | 1 | |
| 3 | 999 591 423 03 | tapping nut | | 2 | |
| 4 | 997 559 237 03 | logo *Turbo* | | 1 | |
| 5 | 997 559 401 00 | roof edge strip | /L | 1 | |
| | | G2X prime coated | | | |
| (5) | 997 559 402 00 | roof edge strip | /R | 1 | |
| | | G2X prime coated | | | |
| 6 | 997 559 721 00 | gasket roof edge strip | /L | 1 | |
| (6) | 997 559 722 00 | gasket roof edge strip | /R | 1 | |
| 7 | 996 559 403 01 | clip | | 10 | |
| 8 | 996 559 405 01 | adapter | | 10 | |
| 9 | 996 559 729 00 | bracket for flap | | 4 | |
| 10 | 996 559 501 00 | flap front | | 2 | |
| | | G2X prime coated | | | |
| (10) | 996 559 503 00 | flap rear | | 2 | |
| | | G2X prime coated | | | |
| 11 | 997 504 825 03 | stone guard film side section | /L | 1 | |
| (11) | 997 504 826 03 | stone guard film side section | /R | 1 | |
| | | - - - E N D - - - | | | |

| | | | | | | | | | | | |
|-------|------|----|----|--------------|--------------|--------|-------|------------|---------|-----|---------|
| Model | Year | MG | SG | Illustration | Restrictions | Update | 10:01 | 30.08.2006 | PORSCHE | PET | PORSCHE |
| 997t | 07 | 8 | 10 | 810-05 | | 203 | | | | | |



| Pos | Part Number | Name | Remarks | Qty | Model |
|-------------------|----------------|--|---------|-----|-------|
| | | sill cover | | | |
| 1 | 997 504 363 00 | sill cover | /L | 1 | |
| | 01C | satin black | | | |
| (1) | 997 504 364 00 | sill cover | /R | 1 | |
| | 01C | satin black | | | |
| 1 | 997 504 981 00 | sill cover | /L | 1 | IXAJ |
| | G2X | prime coated | | | |
| (1) | 997 504 982 00 | sill cover | /R | 1 | IXAJ |
| | G2X | prime coated | | | |
| 2 | 997 504 863 00 | rubber lip sill cover | /L | 1 | |
| | 01C | satin black | | | |
| (2) | 997 504 864 00 | rubber lip sill cover | /R | 1 | |
| | 01C | satin black | | | |
| 3 | 999 507 795 09 | speed nut ST 4,8 | | 4 | |
| 4 | 999 507 986 40 | fixing clip sill cover 9,0 x 1,5 | | 18 | |
| 5 | 999 073 231 09 | tapping screw st 4,8 x 16 | | 24 | |
| 6 | 999 507 640 09 | u-clamp | | 18 | |
| - - - E N D - - - | | | | | |

| | | | | | | | | | | | |
|-------|------|----|----|--------------|--------------|--------|-------|------------|---------|-----|---------|
| Model | Year | MG | SG | Illustration | Restrictions | Update | 10:01 | 30.08.2006 | PORSCHE | PET | PORSCHE |
| 997t | 07 | 8 | 11 | 811-00 | | 203 | | | | | |

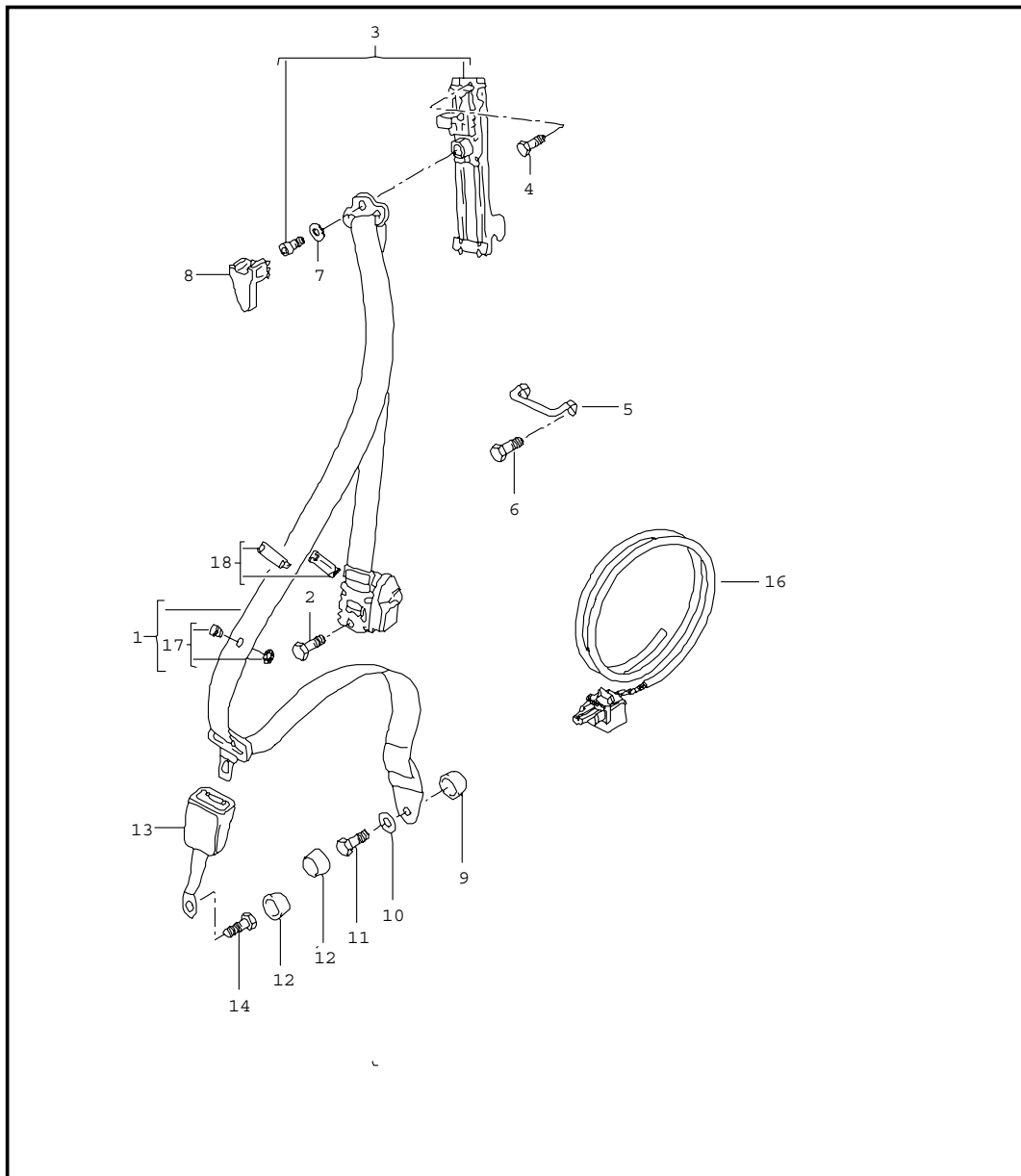


| Pos | Part Number | Name | Remarks | Qty | Model |
|-----|----------------|---------------------|---------|-----|-------|
| | | sunroof | | | I650 |
| 1 | 996 564 941 01 | cover | | 1 | |
| | GRV | prime coated | | | |
| 2 | 997 564 211 00 | gasket | | 1 | |
| 3 | 996 564 181 00 | cover | /L | 1 | |
| | 01C | black | | | |
| (3) | 996 564 182 00 | cover | /R | 1 | |
| | 01C | black | | | |
| 4 | 996 564 245 00 | screw | | 4 | |
| 5 | 900 143 189 09 | tapping screw | | 4 | |
| 6 | 996 564 321 01 | guide plate | /L | 1 | |
| (6) | 996 564 322 01 | guide plate | /R | 1 | |
| 7 | 997 564 021 00 | roof lining | | 1 | |
| | alcantara | | | | |
| | A14 | black | | | |
| | B14 | stone grey | | | |
| | G14 | metropole blue | | | |
| | T44 | sand beige | | | |
| | J44 | palmgreen | | | |
| (7) | 996 564 983 00 | roof lining | | 1 | |
| | leather | | | | |
| | A11 | product information | | | |
| | 5X6 | stone grey | | | |
| | 8G2 | sand beige | | | |
| | 3S9 | sea blue | | | |
| | 4P2 | palmgreen | | | |
| | 9S5 | terracotta | | | |
| | D12 | dark grey/natural | | | |
| | T12 | natural brown | | | |
| | 9V6 | cocoa | | | |

| | | | | | | | | | | | |
|-------|------|----|----|--------------|--------------|--------|-------|------------|---------|-----|---------|
| Model | Year | MG | SG | Illustration | Restrictions | Update | 10:01 | 30.08.2006 | PORSCHE | PET | PORSCHE |
| 997t | 07 | 8 | 11 | 811-00 | | 203 | | | | | |

| Pos | Part Number | Name | Remarks | Qty | Model | Pos | Part Number | Name | Remarks | Qty | Model |
|------|----------------|------------------------|---------|-----|-------|-----|-------------|-------------------|---------|-----|-------|
| 8 | 900 076 084 07 | nut | | 16 | | | | - - - E N D - - - | | | |
| 9 | 996 564 241 00 | interior lining | /L | 1 | | | | | | | |
| (9) | 996 564 242 00 | interior lining | /R | 1 | | | | | | | |
| 10 | 997 564 671 00 | protective edging | | 11 | | | | | | | |
| 11 | 997 555 823 00 | support | | 2 | | | | | | | |
| 12 | 997 564 161 00 | air deflector | | 10 | | | | | | | |
| 13 | 996 564 522 01 | hinge | /R | 1 | | | | | | | |
| (13) | 996 564 521 01 | hinge | /L | 1 | | | | | | | |
| 14 | 999 507 631 02 | cable holder | | 4 | | | | | | | |
| 15 | 996 564 205 01 | water drain hose rear | | 2 | | | | | | | |
| 16 | 996 561 825 00 | water drain valve rear | | 2 | | | | | | | |
| 17 | 999 073 130 02 | oval-head screw | | 6 | | | | | | | |
| 18 | 999 703 258 42 | clip | | 2 | | | | | | | |
| 19 | 996 564 207 00 | water drain hose front | | 2 | | | | | | | |
| 20 | 997 564 301 00 | support upper | | 2 | | | | | | | |
| 21 | 999 190 167 30 | blind rivet 4,0X6,3 | | 2 | | | | | | | |
| 22 | 997 564 303 00 | support lower | | 2 | | | | | | | |
| 23 | 999 190 450 37 | blind rivet 4,0X6,3 | | 1 | | | | | | | |
| 24 | 997 624 211 00 | driving mechanism | | 1 | | | | | | | |
| 25 | 999 073 135 07 | countersunk-head screw | | 1 | | | | | | | |
| 26 | 996 564 213 00 | spacer | | 1 | | | | | | | |
| 27 | 999 073 366 02 | oval-head screw | | 4 | | | | | | | |
| 28 | 997 564 011 01 | sunroof | | 1 | | | | | | | |
| 29 | 997 564 903 00 | damping piece front | | 3 | | | | | | | |
| 30 | 997 564 905 00 | damping piece rear | | 3 | | | | | | | |

| | | | | | | | | | | | |
|-------|------|----|----|--------------|--------------|--------|-------|------------|---------|-----|---------|
| Model | Year | MG | SG | Illustration | Restrictions | Update | 10:02 | 30.08.2006 | PORSCHE | PET | PORSCHE |
| 997t | 07 | 8 | 12 | 812-00 | | 203 | | | | | |

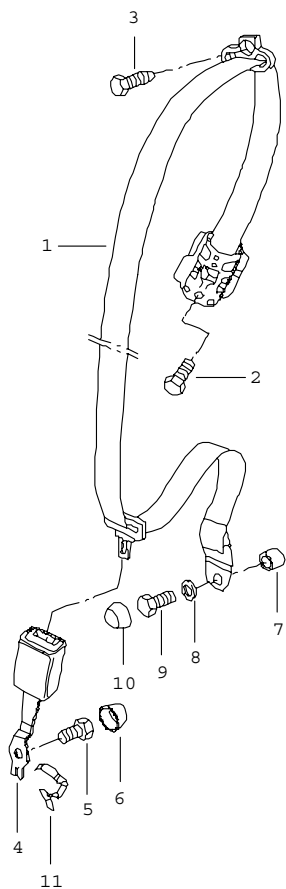


| Pos | Part Number | Name | Remarks | Qty | Model |
|-----|----------------|--|---------|-----|-------|
| 1 | 997 803 033 02 | seat belt front | | 1 | |
| | V02 | speed yellow | /L | | IXSY |
| (1) | 997 803 034 04 | seat belt | /R | 1 | |
| | V02 | speed yellow | | | IXSY |
| 1 | 997 803 033 02 | seat belt | /L | 1 | |
| | N13 | guards red | | | IXSX |
| | U01 | silver | | | IXSH |
| | A23 | black | | | I555 |
| (1) | 997 803 034 04 | seat belt | /R | 1 | |
| | N13 | guards red | | | IXSX |
| | U01 | silver | | | IXSH |
| | A23 | black | | | I555 |
| 2 | 999 075 070 09 | hexagon-head bolt | | 2 | |
| 3 | 997 803 231 01 | support front vertical adjustment with fastening screw | | 2 | |
| 4 | 900 067 131 02 | screw | | 2 | |
| 5 | 996 803 825 01 | relay lever | | 2 | |
| 6 | 900 378 036 09 | hexagon-head bolt | | 4 | |
| 7 | 999 028 021 01 | spring washer B 14,2 | | 2 | |
| 8 | 997 803 521 00 | cover | | 2 | |
| | A03 | black | | | |
| 9 | 999 924 064 02 | bush | | 2 | |
| 10 | 211 857 771 | washer | | 2 | |
| 11 | 999 075 073 09 | hexagon-head bolt | | 2 | |
| 12 | 811 857 845 | cap | | 2 | |
| | 01C | black | | | |

| | | | | | | | | | | | |
|-------|------|----|----|--------------|--------------|--------|-------|------------|---------|-----|---------|
| Model | Year | MG | SG | Illustration | Restrictions | Update | 10:02 | 30.08.2006 | PORSCHE | PET | PORSCHE |
| 997t | 07 | 8 | 12 | 812-00 | | 203 | | | | | |

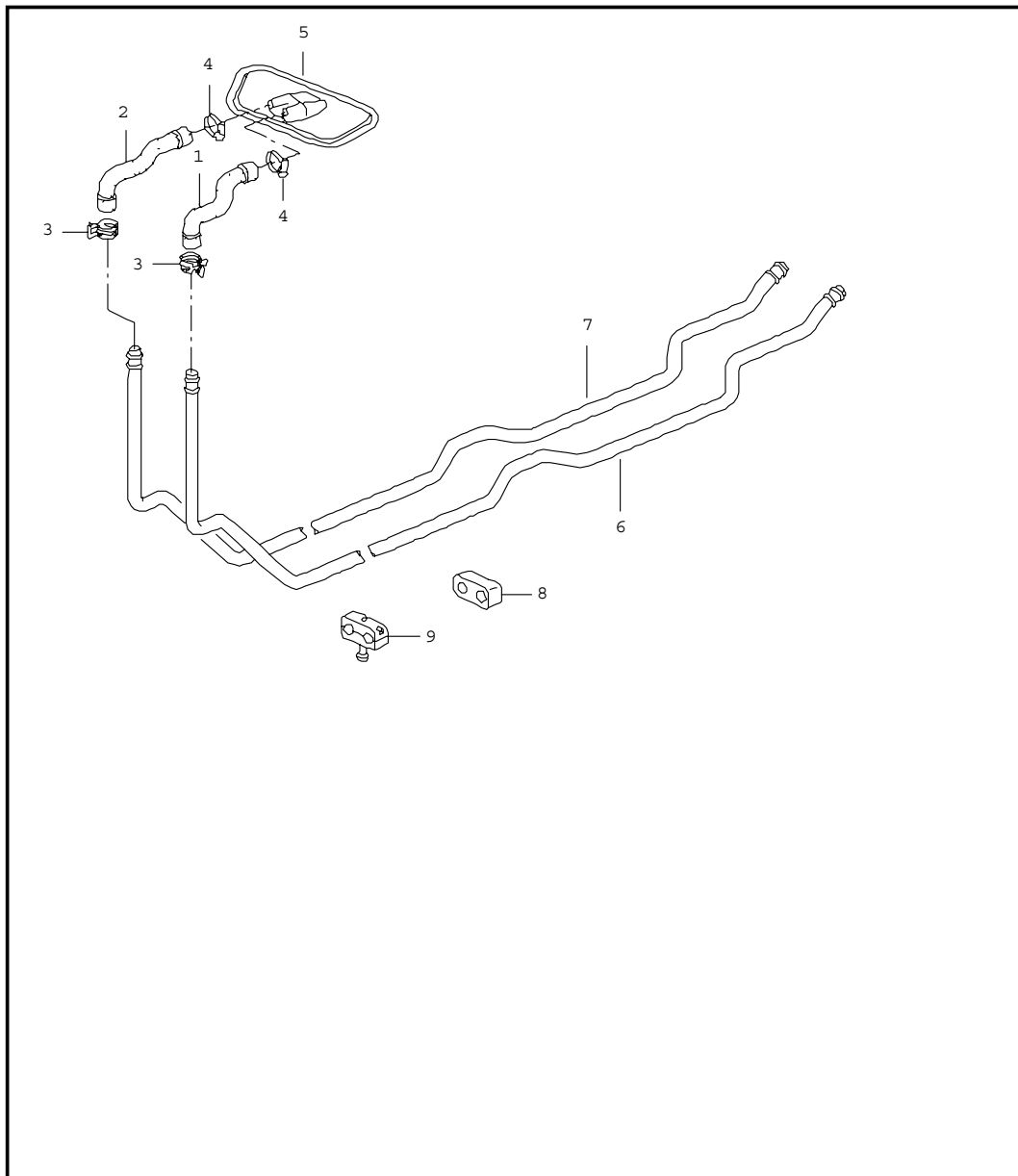
| Pos | Part Number | Name | Remarks | Qty | Model | Pos | Part Number | Name | Remarks | Qty | Model |
|------|----------------|---|---------|-----|-------|-----|-------------|------|---------|-----|-------|
| 13 | 996 803 183 08 | seat-belt buckle passenger's side | | 1 | | | | | | | |
| (13) | 997 803 183 01 | seat-belt buckle driver's side | | 1 | | | | | | | |
| 14 | 999 218 101 02 | fastening screw | | 2 | | | | | | | |
| 15 | --- --- --- -- | cable for seat-belt tensioner see group 9/02/10 | | X | | | | | | | |
| 16 | 955 803 056 00 | knob | | 2 | | | | | | | |
| | HCP | black | | | | | | | | | |
| 17 | 997 803 334 00 | clamping piece | | 2 | | | | | | | |
| | 01C | black | | | | | | | | | |
| | | - - - E N D - - - | | | | | | | | | |

| | | | | | | | | | | | |
|-------|------|----|----|--------------|--------------|--------|-------|------------|---------|-----|---------|
| Model | Year | MG | SG | Illustration | Restrictions | Update | 10:02 | 30.08.2006 | PORSCHE | PET | PORSCHE |
| 997t | 07 | 8 | 12 | 812-05 | | 203 | | | | | |



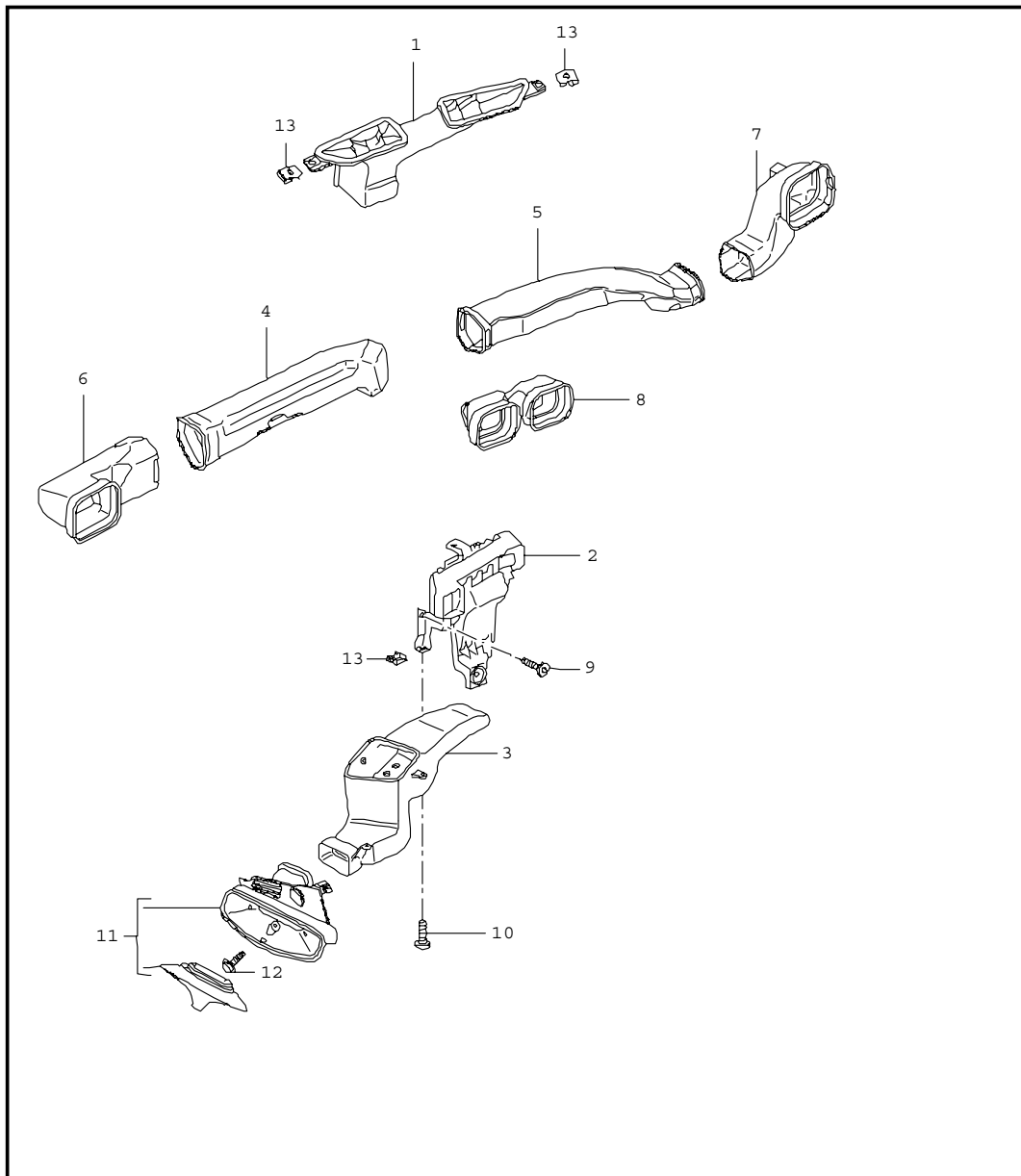
| Pos | Part Number | Name | Remarks | Qty | Model |
|-------------------|----------------|-------------------|---------|-----|-------|
| 1 | 997 803 035 02 | seat belt rear | | 1 | |
| | V02 | speed yellow | /L | | IXSY |
| | N13 | guards red | | | IXSX |
| | U01 | silver | | | IXSH |
| | A23 | black | | | I555 |
| (1) | 997 803 036 02 | seat belt | /R | 1 | |
| | V02 | speed yellow | | | IXSY |
| | N13 | guards red | | | IXSX |
| | U01 | silver | | | IXSH |
| | A23 | black | | | I555 |
| 2 | 999 075 070 09 | hexagon-head bolt | | 2 | |
| 3 | 999 075 057 09 | fastening screw | | 2 | |
| 4 | 996 803 165 01 | seat-belt buckle | /L | 1 | |
| (4) | 996 803 166 01 | seat-belt buckle | /R | 1 | |
| 5 | 999 075 070 09 | fastening screw | | 2 | |
| 6 | 811 857 845 | cap | | 2 | |
| 7 | 999 924 064 02 | bush | | 2 | |
| 8 | 211 857 771 | washer | | 2 | |
| 9 | 999 075 073 09 | hexagon-head bolt | | 2 | |
| 10 | 811 857 845 | cap | | 2 | I193 |
| 11 | 996 551 745 00 | clamp | /L | 2 | |
| (11) | 996 551 746 00 | clamp | /R | 2 | |
| - - - E N D - - - | | | | | |

| | | | | | | | | | | | |
|-------|------|----|----|--------------|--------------|--------|-------|------------|---------|-----|---------|
| Model | Year | MG | SG | Illustration | Restrictions | Update | 10:02 | 30.08.2006 | PORSCHE | PET | PORSCHE |
| 997t | 07 | 8 | 13 | 813-00 | | 203 | | | | | |



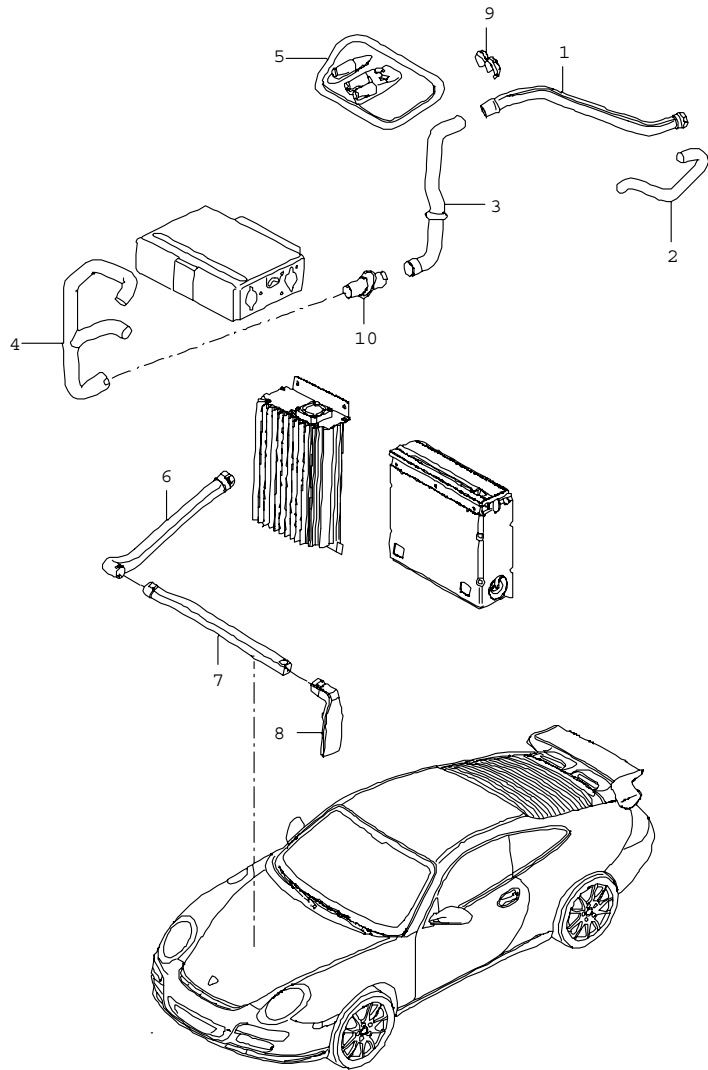
| Pos | Part Number | Name | Remarks | Qty | Model |
|-------------------|----------------|--|---------|-----|-------|
| | | heating system 1 feed line return line | | | |
| 1 | 996 572 583 04 | heater hose intake | /LL | 1 | I098 |
| (1) | 996 572 583 05 | heater hose intake | /RL | 1 | I099 |
| 2 | 996 572 585 04 | heater hose return | /LL | 1 | I098 |
| (2) | 996 572 585 05 | heater hose return | /RL | 1 | I099 |
| 3 | 999 512 656 09 | hose clamp B25 X 12 | | 2 | |
| 4 | 999 512 346 00 | hose clamp A16-27/9 | | 2 | |
| 5 | 996 572 263 02 | gasket | /LL | 1 | I098 |
| (5) | 996 572 263 03 | gasket | /RL | 1 | I099 |
| 6 | 997 572 681 00 | heater pipeline supply | | 1 | |
| 7 | 997 572 683 00 | heater pipeline return | | 1 | |
| 8 | 996 572 785 00 | connection piece | | X | |
| 9 | 999 511 230 40 | cable holder | | 4 | |
| -- | 999 511 232 41 | rubber mounting 19/19 | | 4 | |
| - - - E N D - - - | | | | | |

| | | | | | | | | | | | |
|-------|------|----|----|--------------|--------------|--------|-------|------------|---------|-----|---------|
| Model | Year | MG | SG | Illustration | Restrictions | Update | 10:02 | 30.08.2006 | PORSCHE | PET | PORSCHE |
| 997t | 07 | 8 | 13 | 813-01 | | 203 | | | | | |



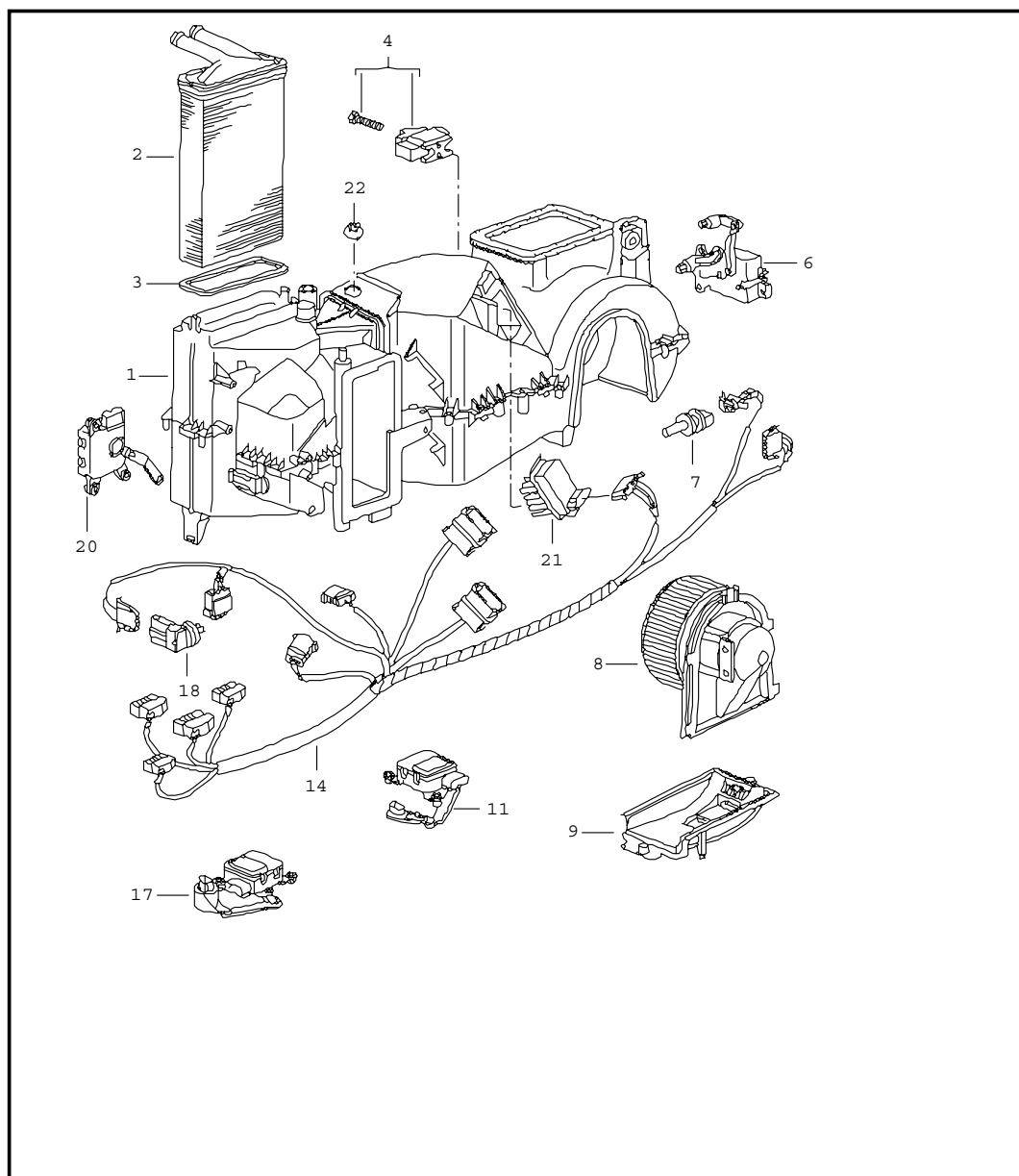
| Pos | Part Number | Name | Remarks | Qty | Model |
|-------------------|----------------|--|---------|-----|----------|
| | | air distributor passenger compartment | | | |
| 1 | 997 572 631 00 | defroster vent | /LL | 1 | I098 |
| (1) | 997 572 631 01 | defroster vent | /RL | 1 | I099 |
| 2 | 997 572 171 00 | air distributor | /LL | 1 | I098 |
| (2) | 997 572 171 01 | air distributor | /RL | 1 | I099 |
| 3 | 997 572 793 00 | footwell outlet vent | /LL | 1 | I098 |
| (3) | 997 572 793 02 | footwell outlet vent | /LL | 1 | I098/680 |
| (3) | 997 572 793 01 | footwell outlet vent | /RL | 1 | I099 |
| (3) | 997 572 793 03 | footwell outlet vent | /RL | 1 | I099/680 |
| 4 | 997 572 463 01 | air duct | /LL /L | 1 | I098 |
| (4) | 997 572 463 00 | air duct | /RL /L | 1 | I099 |
| 5 | 997 572 464 00 | air duct | /LL /R | 1 | I098 |
| (5) | 997 572 464 01 | air duct | /RL /R | 1 | I099 |
| 6 | 997 572 767 00 | air duct | /LL /L | 1 | I098 |
| (6) | 997 572 767 01 | air duct | /RL /L | 1 | I099 |
| 7 | 997 572 768 00 | air duct | /RL /R | 1 | I098 |
| (7) | 997 572 768 01 | air duct | /LL /R | 1 | I099 |
| 8 | 997 572 769 00 | air duct | | 1 | |
| (8) | 997 572 769 01 | air duct | | 1 | |
| 9 | 999 919 118 09 | oval-head screw | | 2 | |
| 10 | 999 073 339 09 | tapping screw | | 2 | |
| 14 | 999 507 785 02 | speed nut st 4,2 | | 3 | |
| 14 | 999 507 785 02 | speed nut ST 4,2 | | 3 | |
| - - - E N D - - - | | | | | |

| | | | | | | | | | | | |
|-------|------|----|----|--------------|--------------|--------|-------|------------|---------|-----|---------|
| Model | Year | MG | SG | Illustration | Restrictions | Update | 10:02 | 30.08.2006 | PORSCHE | PET | PORSCHE |
| 997t | 07 | 8 | 13 | 813-02 | | 203 | | | | | |



| Pos | Part Number | Name | Remarks | Qty | Model |
|-----|----------------|-----------------------------|---------|-----|-------|
| | | luggage compartment cooling | | | I575 |
| 1 | 997 572 582 00 | air duct plenum panel | | 1 | |
| 2 | 997 572 580 00 | air duct air conditioner | | 1 | |
| 3 | 997 572 584 01 | air duct bulkhead | | 1 | |
| 4 | 997 572 586 02 | air duct booster | | 1 | |
| 5 | 997 572 263 00 | gasket | | 1 | |
| 6 | 997 572 586 03 | air duct booster | | 1 | I664 |
| 7 | 997 572 586 04 | air duct booster | | 1 | I664 |
| 8 | 997 572 586 05 | air duct booster | | 1 | I664 |
| 9 | 999 507 830 40 | cable holder 21,5 X 21,5 | | 1 | |
| 10 | 997 572 593 01 | connection piece | | 1 | |
| | | - - - E N D - - - | | | |

| | | | | | | | | | | | |
|-------|------|----|----|--------------|--------------|--------|-------|------------|---------|-----|---------|
| Model | Year | MG | SG | Illustration | Restrictions | Update | 10:03 | 30.08.2006 | PORSCHE | PET | PORSCHE |
| 997t | 07 | 8 | 13 | 813-05 | | 203 | | | | | |

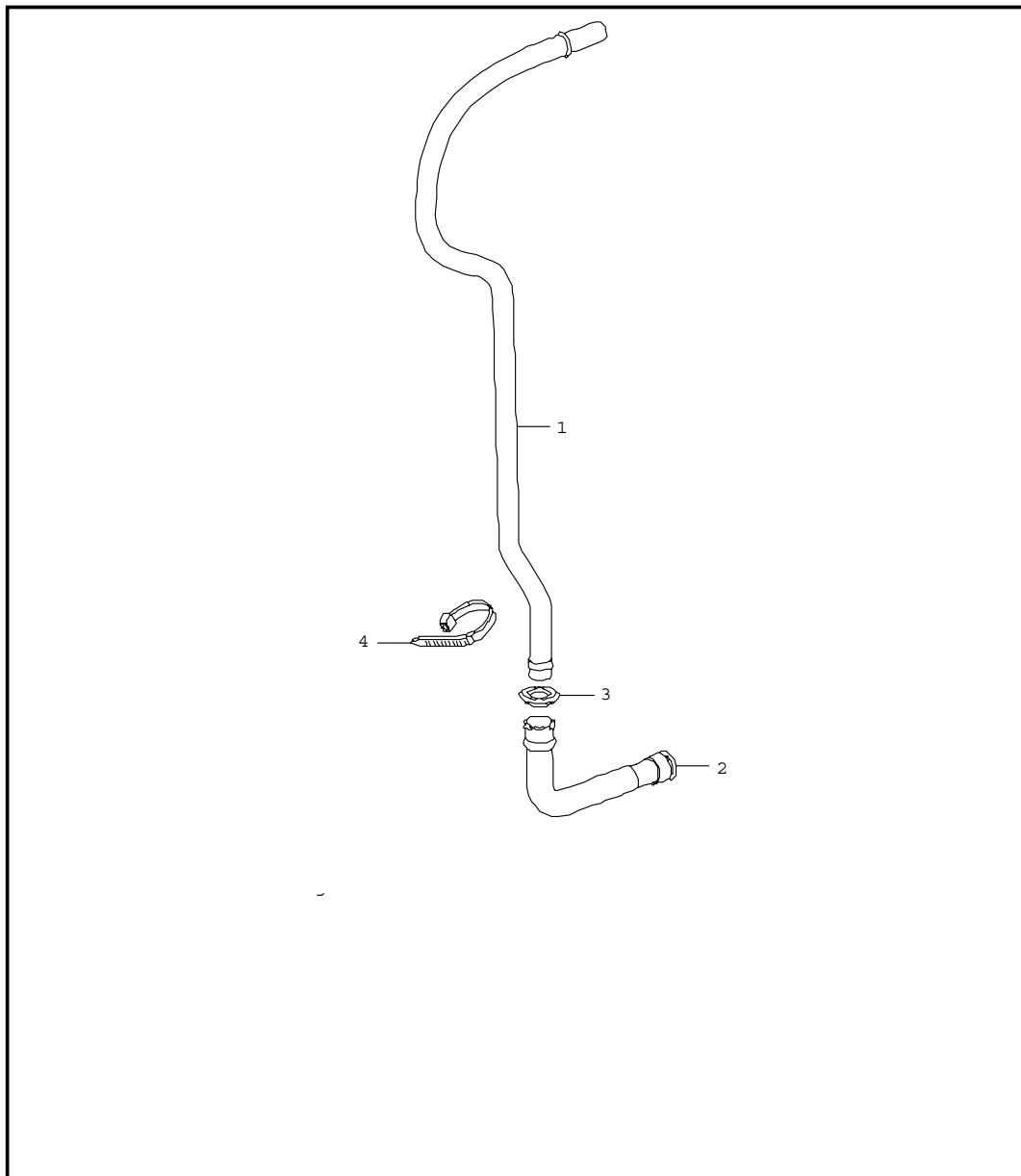


| Pos | Part Number | Name | Remarks | Qty | Model |
|------|----------------|--|---------|-----|-------|
| | | air conditioner single parts | | | I 573 |
| 1 | 997 573 901 00 | air conditioner | /LL | 1 | |
| 1 | 996 573 901 01 | air conditioner without heat exchanger with evaporator | /RL | 1 | |
| 2 | 997 572 129 00 | heat exchanger | | 1 | |
| 3 | 996 572 913 00 | gasket | | 1 | |
| 4 | 996 573 929 01 | expansion valve | | 1 | |
| 6 | 996 573 915 00 | electric motor central valve marked green | /LL | 1 | |
| (6) | 996 573 915 01 | electric motor central valve marked white | /RL | 1 | |
| 7 | 955 572 304 10 | temperature sensor | | 1 | |
| 8 | 996 624 107 01 | blower | /LL | 1 | |
| (8) | 996 624 108 01 | blower | /RL | 1 | |
| 9 | 996 573 905 00 | cover | | 1 | |
| 11 | 996 573 919 02 | electric motor | /LL | 1 | |
| (11) | 996 573 919 03 | electric motor temperature valve marked red | /RL | 1 | |
| 14 | 997 612 655 02 | wiring harness | /LL | 1 | |
| (14) | 997 612 656 02 | wiring harness | /RL | 1 | |
| 17 | 996 573 917 02 | electric motor defroster flap marked yellow | /LL | 1 | |
| (17) | 996 573 917 03 | electric motor defroster flap marked black | /RL | 1 | |
| 18 | 1H0 907 543 A | temperature sensor | | 1 | |

| | | | | | | | | | | | |
|-------|------|----|----|--------------|--------------|--------|-------|------------|---------|-----|---------|
| Model | Year | MG | SG | Illustration | Restrictions | Update | 10:03 | 30.08.2006 | PORSCHE | PET | PORSCHE |
| 997t | 07 | 8 | 13 | 813-05 | | 203 | | | | | |

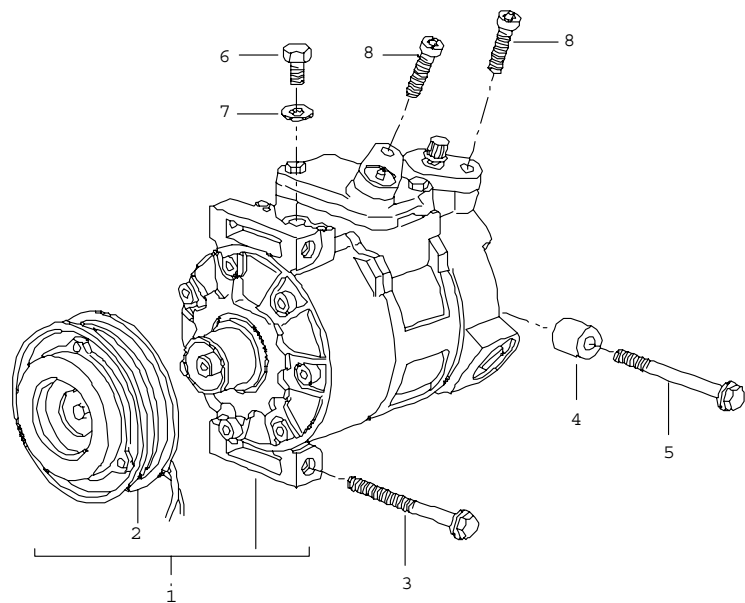
| Pos | Part Number | Name | Remarks | Qty | Model | Pos | Part Number | Name | Remarks | Qty | Model |
|------|----------------|--|---------|-----|-------|-----|-------------|------|---------|-----|-------|
| 20 | 996 573 921 02 | electric motor | /LL | 1 | | | | | | | |
| (20) | 996 573 921 03 | electric motor air flow sensor plate marked black | /RL | 1 | | | | | | | |
| 21 | 996 573 923 00 | resistor | | 1 | | | | | | | |
| -- | 996 573 927 00 | interior sensor blower outlet sensor | | 1 | | | | | | | |
| -- | 1H0 819 943 | screw | | 2 | | | | | | | |
| 22 | 997 573 935 00 | plug | | 1 | | | | | | | |
| | | - - - E N D - - - | | | | | | | | | |

| | | | | | | | | | | | |
|-------|------|----|----|--------------|--------------|--------|-------|------------|---------|-----|---------|
| Model | Year | MG | SG | Illustration | Restrictions | Update | 10:03 | 30.08.2006 | PORSCHE | PET | PORSCHE |
| 997t | 07 | 8 | 13 | 813-10 | | 203 | | | | | |



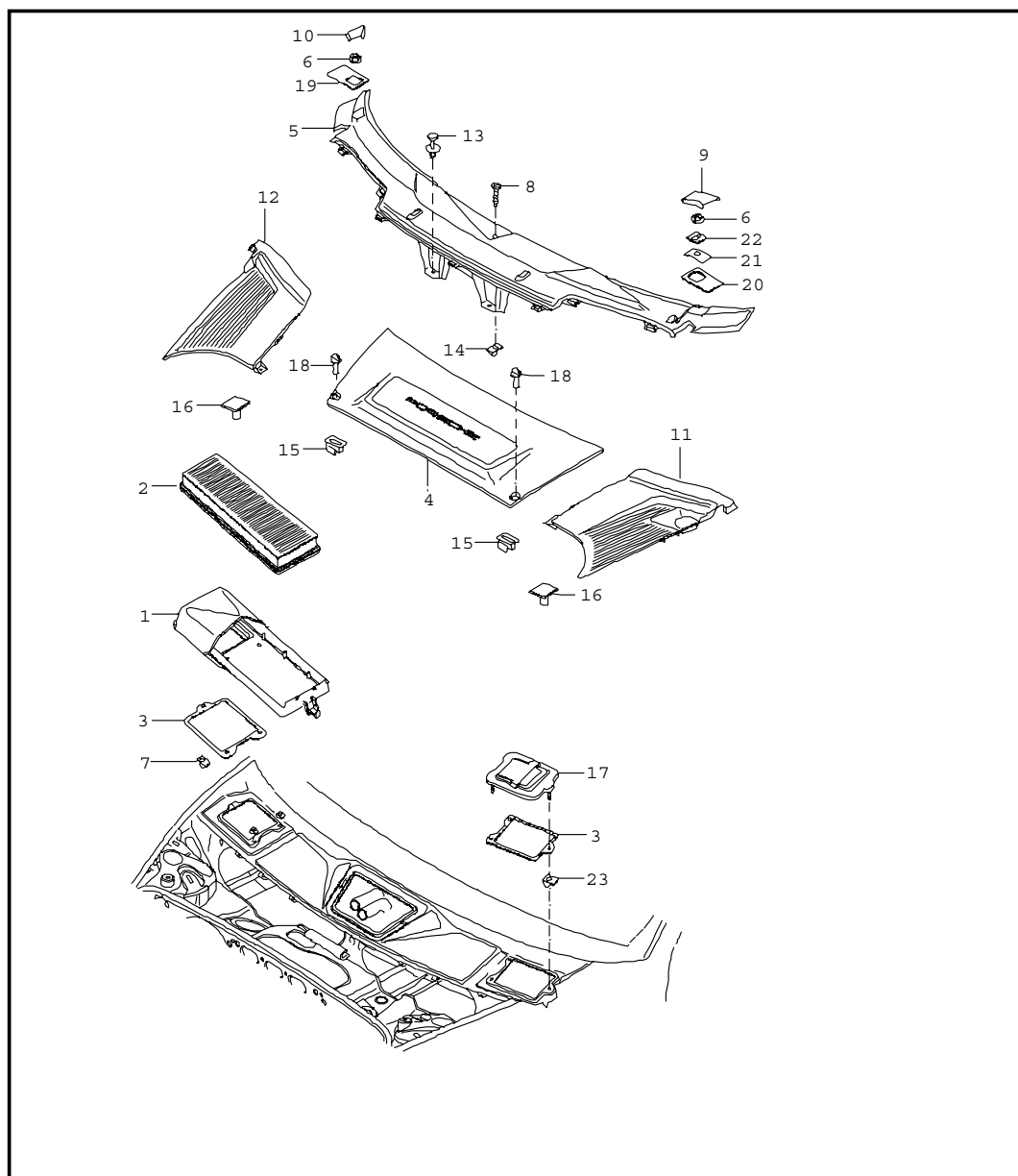
| Pos | Part Number | Name | Remarks | Qty | Model |
|-----|----------------|--|---------|-----|-------|
| | | water drain tube mount air conditioner | | | |
| 1 | 996 573 793 01 | water drain tube | /LL | 1 | I098 |
| 1 | 996 573 794 01 | water drain tube | /RL | 1 | I099 |
| 2 | 996 573 797 02 | connecting piece | | 1 | |
| 3 | 996 573 795 01 | grommet | | 1 | |
| 4 | 999 513 049 40 | tie-wrap | | 1 | |
| | | - - - E N D - - - | | | |

| | | | | | | | | | | | |
|-------|------|----|----|--------------|--------------|--------|-------|------------|---------|-----|---------|
| Model | Year | MG | SG | Illustration | Restrictions | Update | 10:03 | 30.08.2006 | PORSCHE | PET | PORSCHE |
| 997t | 07 | 8 | 13 | 813-15 | | 203 | | | | | |



| Pos | Part Number | Name | Remarks | Qty | Model |
|-----|----------------|---------------------------|---------|-----|-------|
| | | compressor | | | |
| 1 | 996 126 011 52 | compressor | | 1 | |
| 2 | 996 573 926 00 | repair kit | | 1 | |
| 3 | 900 385 102 01 | torx screw BM 8 X 90 | | 2 | |
| 4 | 996 126 102 71 | spacer | | 1 | |
| 5 | 900 385 281 01 | torx screw BM 8 X 120 | | 1 | |
| 6 | 996 573 926 01 | oil filler screw | | 1 | |
| 7 | 996 573 926 02 | sealing ring | | 1 | |
| 8 | 900 067 147 02 | pan-head screw M8 X 25 | | 2 | |
| | | - - - E N D - - - | | | |

| | | | | | | | | | | | |
|-------|------|----|----|--------------|--------------|--------|-------|------------|---------|-----|---------|
| Model | Year | MG | SG | Illustration | Restrictions | Update | 10:03 | 30.08.2006 | PORSCHE | PET | PORSCHE |
| 997t | 07 | 8 | 13 | 813-20 | | 203 | | | | | |

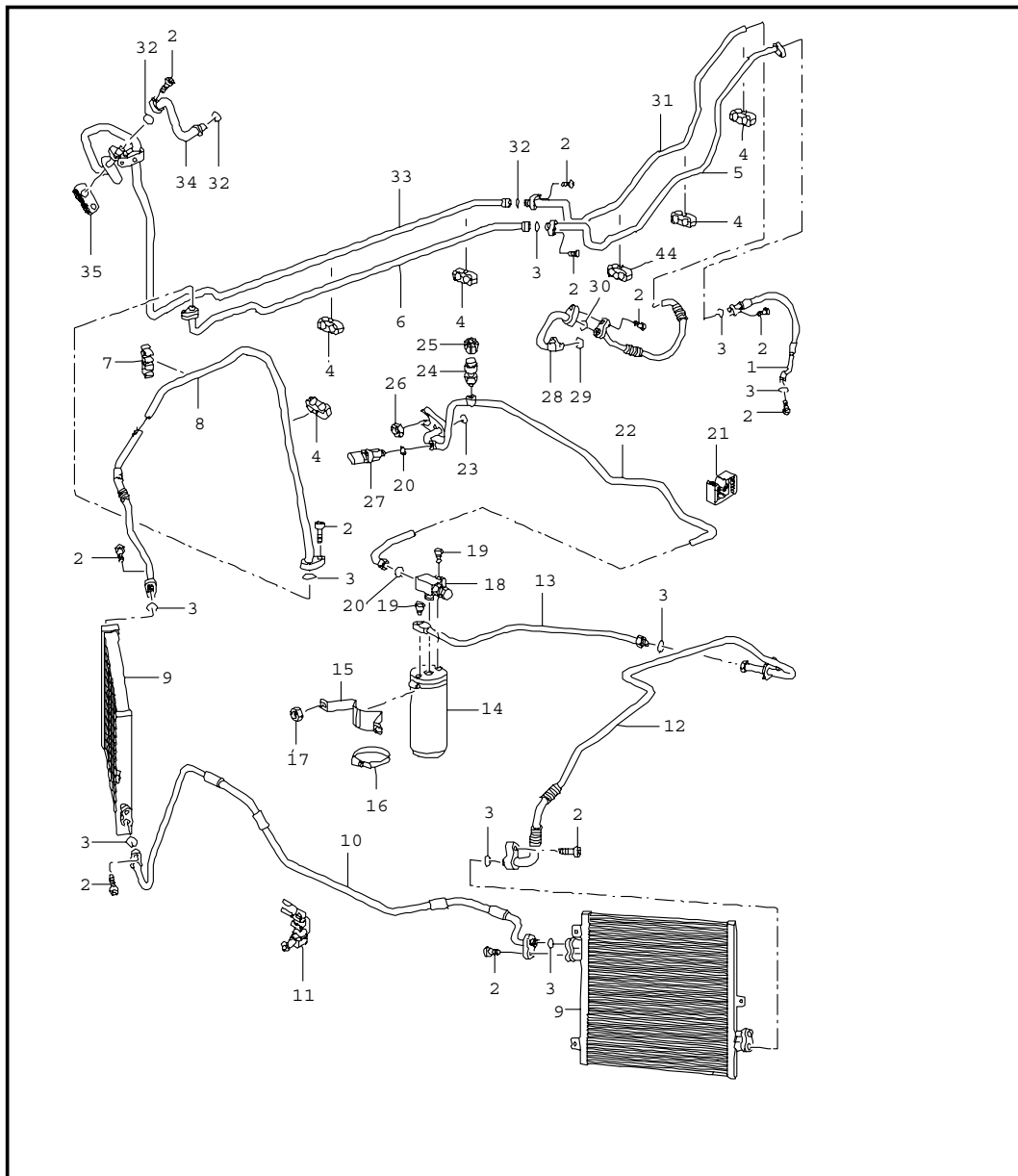


| Pos | Part Number | Name | Remarks | Qty | Model |
|-----|----------------|--|---------|-----|-------|
| | | particle filter cowl panel covering | | | |
| 1 | 997 572 019 04 | housing | /LL | 1 | I098 |
| 1 | 997 572 019 05 | housing | /RL | 1 | I099 |
| 2 | 997 571 219 00 | particle filter | | 1 | |
| 3 | 997 572 221 00 | gasket | | 1 | |
| 4 | 997 572 567 04 | cover | | 1 | |
| | FMT | black battery | | | |
| (4) | 997 572 729 02 | cover particle filter | /LL | 1 | I098 |
| (4) | 997 572 729 02 | cover particle filter | /RL | 1 | I099 |
| 5 | 997 572 563 08 | cover cowl | /LL | 1 | I098 |
| | FMT | black | | | |
| 5 | 997 572 563 05 | cover cowl | /RL | 1 | I099 |
| | FMT | black | | | |
| 6 | 999 076 071 02 | hexagon nut M6 | | 2 | |
| 7 | 999 507 348 02 | speed nut | | 3 | |
| 8 | N 906 487 02 | tapping screw | | 1 | |
| 9 | 997 572 569 04 | cap | /L | 2 | I098 |
| | FMT | black | | | |
| 9 | 997 572 569 05 | cap | /L | 2 | I099 |
| | FMT | black | | | |
| 10 | 997 572 570 04 | cap | /R | 1 | I098 |
| | FMT | black | | | |
| 10 | 997 572 570 05 | cap | /R | 1 | I099 |
| | FMT | black | | | |
| 11 | 997 572 361 06 | cover | /L | 1 | |
| | 02A | black | | | |

| | | | | | | | | | | | |
|-------|------|----|----|--------------|--------------|--------|-------|------------|---------|-----|---------|
| Model | Year | MG | SG | Illustration | Restrictions | Update | 10:03 | 30.08.2006 | PORSCHE | PET | PORSCHE |
| 997t | 07 | 8 | 13 | 813-20 | | 203 | | | | | |

| Pos | Part Number | Name | Remarks | Qty | Model | Pos | Part Number | Name | Remarks | Qty | Model |
|-----|----------------|-------------------|---------|-----|-------|-----|-------------|------|---------|-----|-------|
| 12 | 997 572 362 07 | cover | /R | 1 | | | | | | | |
| | 02A | black | | | | | | | | | |
| 13 | 999 507 497 40 | expansion rivet | | 2 | | | | | | | |
| | | 8 X 14 | | | | | | | | | |
| 14 | 999 507 834 41 | expander nut | | 1 | | | | | | | |
| | | ST 4,8 | | | | | | | | | |
| 15 | 999 590 046 40 | disc cam | | 2 | | | | | | | |
| 16 | 999 902 046 40 | catch | | 1 | | | | | | | |
| 17 | 997 572 419 02 | cover | | 2 | | | | | | | |
| 18 | 997 572 867 00 | locking bolt | | 2 | | | | | | | |
| | 02A | black | | | | | | | | | |
| -- | 997 572 763 00 | cover | | 1 | | | | | | | |
| 19 | 997 572 842 00 | pressure plate | | 1 | | | | | | | |
| | | passenger's side | | | | | | | | | |
| 20 | 997 572 841 00 | pressure plate | | 1 | | | | | | | |
| | | driver's side | | | | | | | | | |
| 21 | 997 572 837 00 | spring plate | | 1 | | | | | | | |
| | | driver's side | | | | | | | | | |
| 22 | 997 572 533 00 | retainer plate | | 1 | | | | | | | |
| | | driver's side | | | | | | | | | |
| 23 | 999 591 855 02 | speed nut | | 3 | | | | | | | |
| | | - - - E N D - - - | | | | | | | | | |

| | | | | | | | | | | | |
|-------|------|----|----|--------------|--------------|--------|-------|------------|---------|-----|---------|
| Model | Year | MG | SG | Illustration | Restrictions | Update | 10:04 | 30.08.2006 | PORSCHE | PET | PORSCHE |
| 997t | 07 | 8 | 13 | 813-25 | | 203 | | | | | |

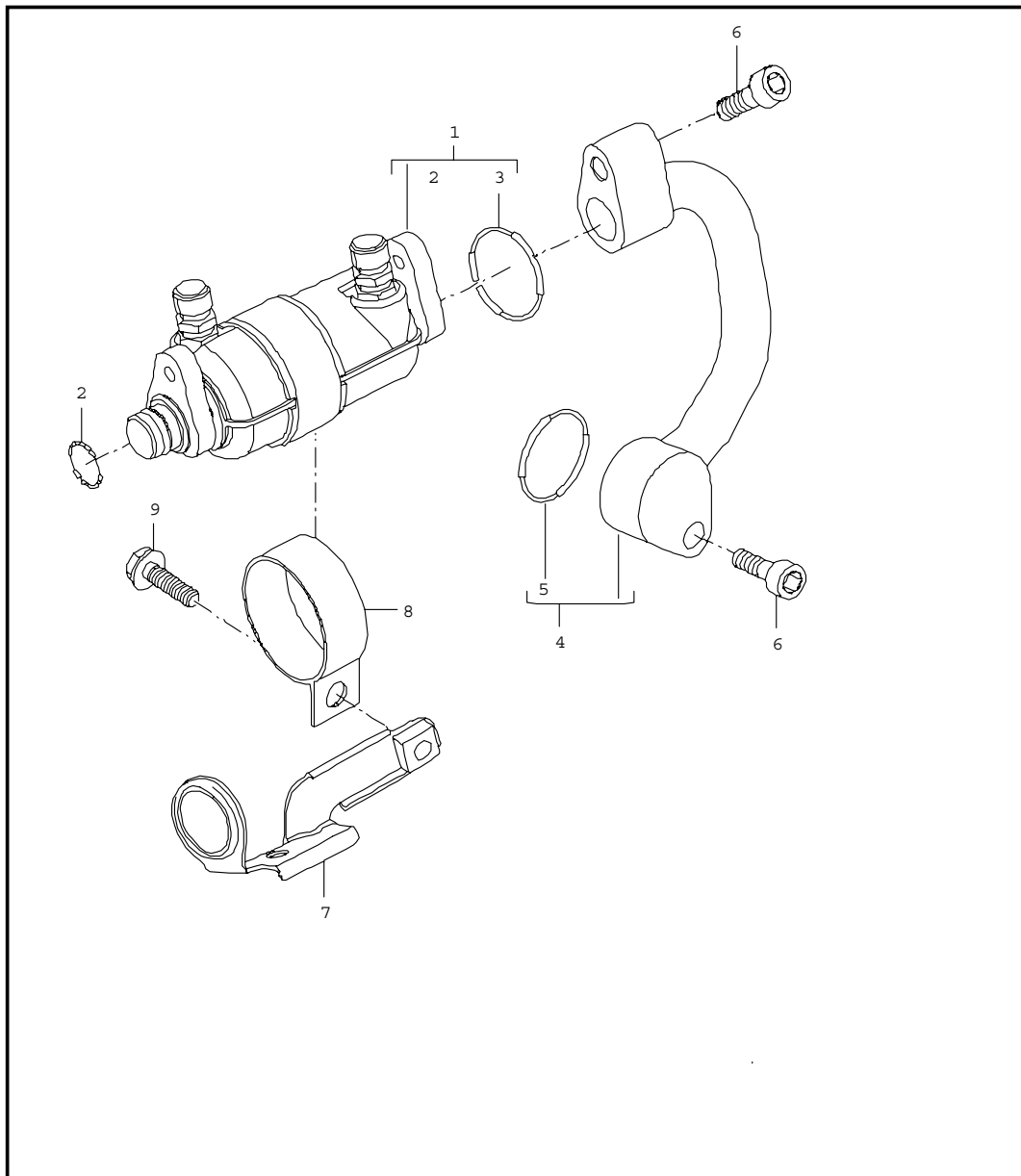


| Pos | Part Number | Name | Remarks | Qty | Model |
|------|----------------|--|---------|-----|-------|
| | | refrigerant circuit | | | |
| 1 | 997 573 097 01 | pressure line compressor | | 1 | |
| 2 | 900 067 247 02 | screw M8 X 30 | | X | |
| 3 | 999 707 434 41 | o-ring 10,6 X 2,0 | | X | |
| 4 | 999 511 230 40 | cable holder | | X | |
| 5 | 997 573 096 03 | pressure line | | 1 | |
| 6 | 996 573 092 02 | pressure line | | 1 | |
| 7 | 996 355 547 01 | support | | 1 | |
| 8 | 997 573 094 01 | pressure line | | 1 | |
| 9 | 996 573 111 03 | condenser | | 2 | |
| 10 | 997 573 103 01 | pressure line | | 1 | |
| 11 | 996 347 543 00 | cable holder 4,75 / 8,0 | | 2 | |
| 12 | 997 573 105 01 | pressure line condenser desiccator | | 1 | |
| 13 | 996 573 106 00 | refrigerant line desiccator | | 1 | |
| 14 | 944 573 143 01 | desiccator | | 1 | |
| 15 | 996 573 451 00 | support | | 1 | |
| 16 | 999 512 349 01 | hose clamp A50-70/9 | | 1 | |
| 17 | 900 380 015 09 | hexagon nut M6 | | 2 | |
| 18 | 997 573 243 00 | distributing piece | | 1 | |
| 19 | 900 075 340 01 | screw M6 X 22 | | 2 | |
| 20 | 999 707 555 41 | o-ring 10,8 X 1,8 | | X | |
| 21 | 999 591 922 40 | support 4,8 / 8,0 | /LL | 1 | I098 |
| (21) | 999 513 049 40 | tie-wrap 8,0 - 30 | /RL | 1 | I099 |

| | | | | | | | | | | | |
|-------|------|----|----|--------------|--------------|--------|-------|------------|---------|-----|---------|
| Model | Year | MG | SG | Illustration | Restrictions | Update | 10:04 | 30.08.2006 | PORSCHE | PET | PORSCHE |
| 997t | 07 | 8 | 13 | 813-25 | | 203 | | | | | |

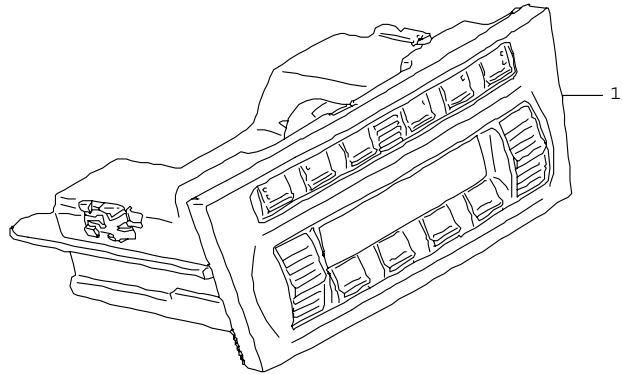
| Pos | Part Number | Name | Remarks | Qty | Model | Pos | Part Number | Name | Remarks | Qty | Model |
|------|----------------|----------------------|---------|-----|-------|-----|-------------|------|---------|-----|-------|
| 22 | 997 573 108 02 | pressure line | /LL | 1 | I098 | | | | | | |
| (22) | 997 573 108 01 | pressure line | /RL | 1 | I099 | | | | | | |
| 23 | 999 707 531 41 | o-ring 7,5 X 2,04 | | X | | | | | | | |
| 24 | 996 573 666 00 | valve | | 1 | | | | | | | |
| 25 | 944 573 663 02 | cap | | 1 | | | | | | | |
| 26 | 900 377 010 09 | hexagon nut M6 | | 2 | | | | | | | |
| 27 | 1K0 959 126 B | pressure sensor | | 1 | | | | | | | |
| 28 | 997 573 099 03 | intake pipe | | 1 | | | | | | | |
| 29 | 999 707 439 41 | o-ring 23,8 X 2,4 | | X | | | | | | | |
| 30 | 999 707 558 41 | o-ring 73,7 X 2,5 | | X | | | | | | | |
| 31 | 997 573 095 01 | intake pipe | | 1 | | | | | | | |
| 32 | 999 707 534 41 | o-ring 17,0 X 2,0 | | X | | | | | | | |
| 33 | 996 573 091 01 | intake pipe | | 1 | | | | | | | |
| 34 | 996 573 093 06 | intake pipe | /LL | 1 | I098 | | | | | | |
| (34) | 996 573 093 07 | intake pipe | /RL | 1 | I099 | | | | | | |
| 35 | 996 573 769 01 | grommet | | 1 | | | | | | | |
| | | - - - E N D - - - | | | | | | | | | |

| | | | | | | | | | | | |
|-------|------|----|----|--------------|--------------|--------|-------|------------|---------|-----|---------|
| Model | Year | MG | SG | Illustration | Restrictions | Update | 10:04 | 30.08.2006 | PORSCHE | PET | PORSCHE |
| 997t | 07 | 8 | 13 | 813-26 | | 203 | | | | | |



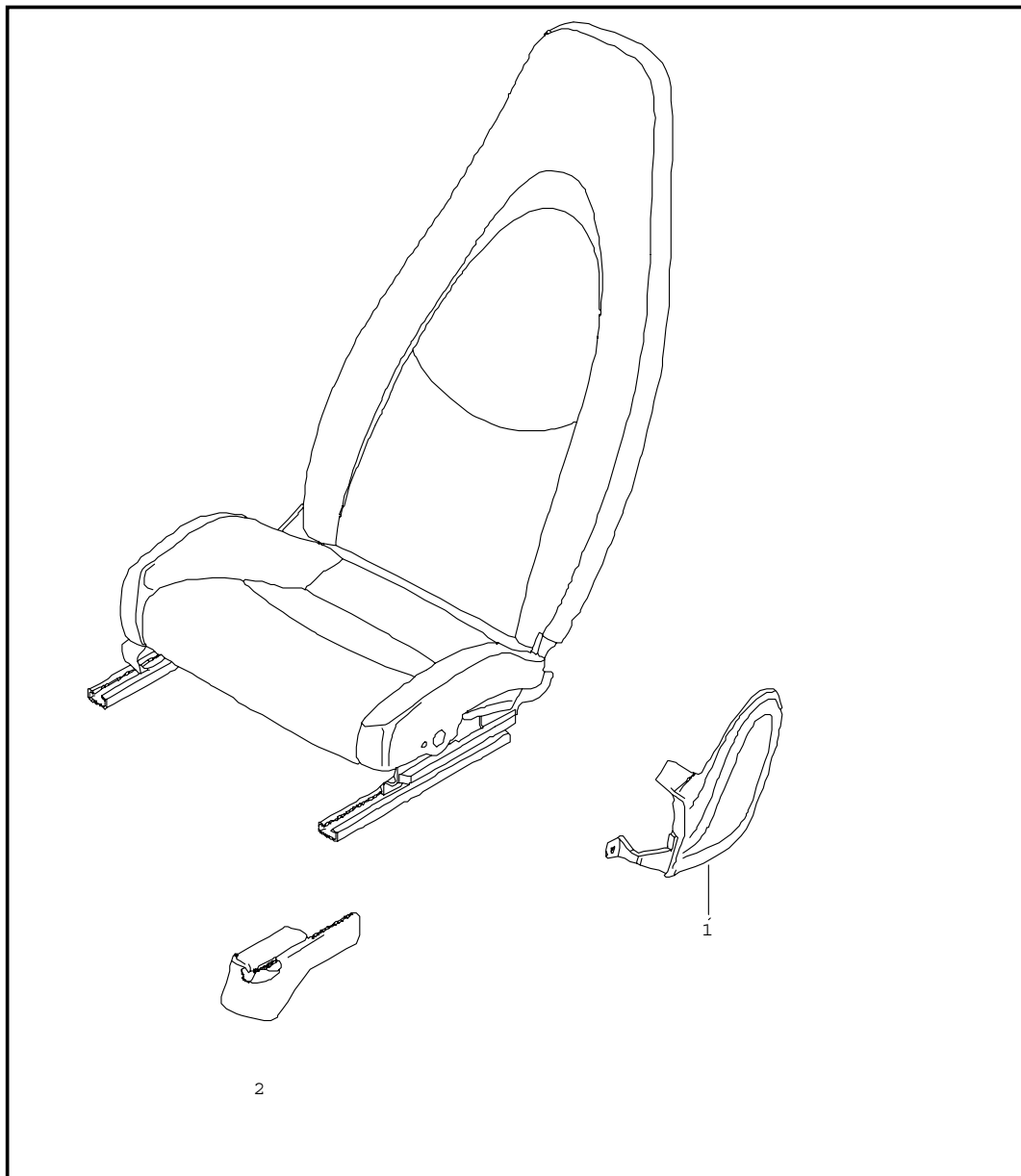
| Pos | Part Number | Name | Remarks | Qty | Model |
|-----|----------------|-------------------------|---------|-----|-------|
| | | fuel cooler | | | |
| 1 | 997 573 069 01 | fuel cooler | | 1 | |
| 2 | 999 707 558 41 | o-ring 13,70 X 2,50N | | 1 | |
| 3 | 999 707 534 41 | o-ring 17,00 X 2,00N | | 1 | |
| 4 | 997 573 099 03 | intake pipe | | 1 | |
| 5 | 999 707 439 41 | o-ring 23,80 X 2,40N | | 1 | |
| 6 | 900 067 276 01 | screw M8 X 35 | | 2 | |
| 7 | 997 573 231 03 | support | | 1 | |
| 8 | 999 512 202 01 | clamp B1 49 X 20 | | 1 | |
| 9 | 900 067 314 01 | screw M8 X 25 | | 1 | |
| | | - - - E N D - - - | | | |

| | | | | | | | | | | | |
|-------|------|----|----|--------------|--------------|--------|-------|------------|---------|-----|---------|
| Model | Year | MG | SG | Illustration | Restrictions | Update | 10:04 | 30.08.2006 | PORSCHE | PET | PORSCHE |
| 997t | 07 | 8 | 13 | 813-45 | | 203 | | | | | |



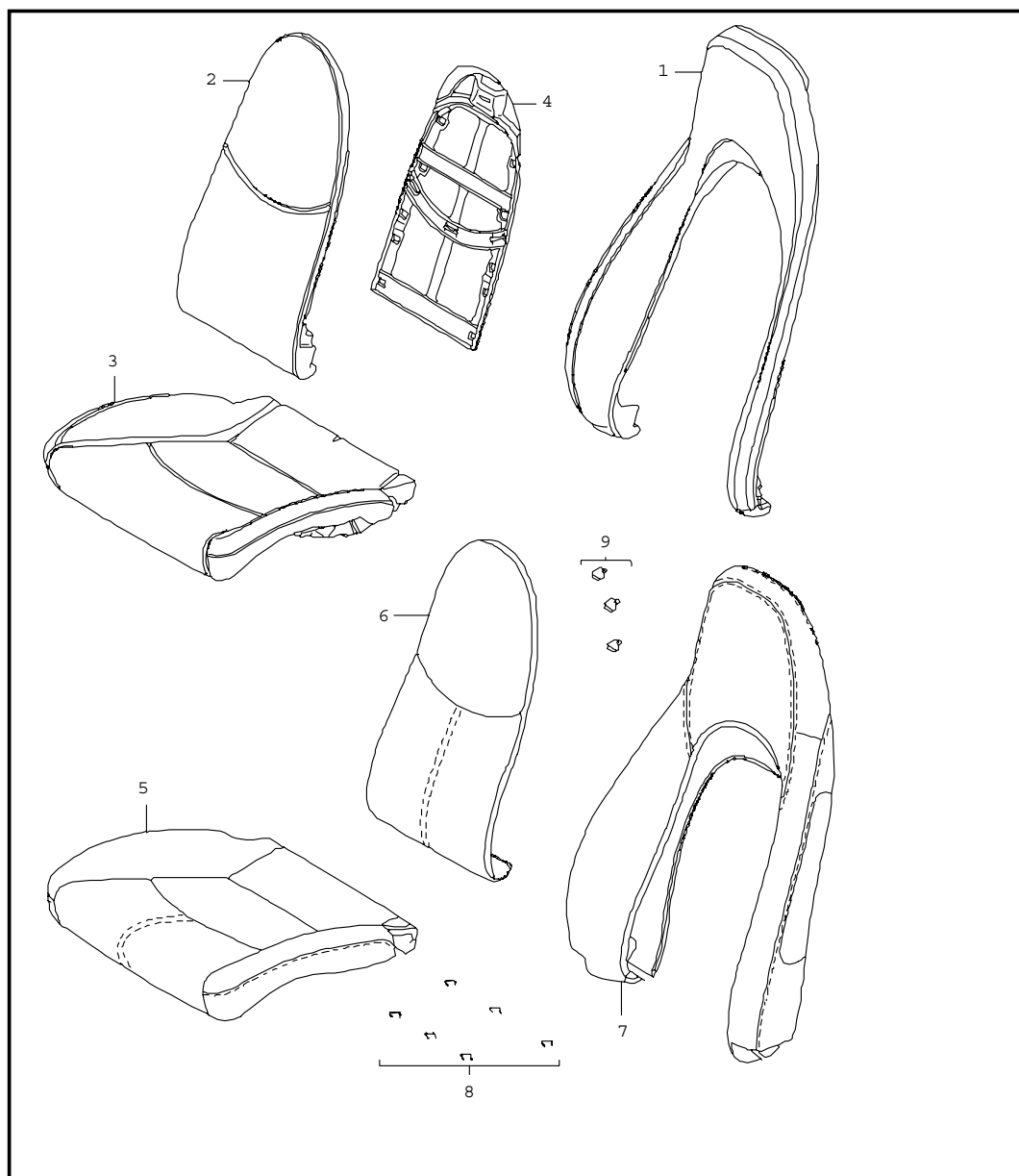
| Pos | Part Number | Name | Remarks | Qty | Model |
|-----|----------------|------------------------|---------|-----|----------|
| | | control switch | | | |
| 1 | 997 653 101 11 | control part | | 1 | I573 |
| | FMH | volcano grey/black mat | | | |
| 1 | 997 653 111 11 | control part | | 1 | I573/342 |
| | FMH | volcano grey/black mat | | | |
| | | - - - E N D - - - | | | |

| | | | | | | | | | | | |
|-------|------|----|----|--------------|--------------|--------|-------|------------|---------|-----|---------|
| Model | Year | MG | SG | Illustration | Restrictions | Update | 10:04 | 30.08.2006 | PORSCHE | PET | PORSCHE |
| 997t | 07 | 8 | 17 | 817-00 | | 203 | | | | | |



| Pos | Part Number | Name | Remarks | Qty | Model |
|-----|----------------|--|---------|-----|------------------------------|
| | | front seat complete not available | | | |
| 1 | 997 521 315 02 | trim mounting component | /L | 1 | |
| | D07 | volcano grey | | | |
| (1) | 997 521 316 02 | trim mounting component | /R | 1 | |
| | D07 | volcano grey | | | |
| (1) | 997 521 316 03 | trim mounting component advancedairbag | /R | 1 | I370/376 I378/438/560 |
| | D07 | volcano grey | | | |
| 2 | 997 521 361 00 | rail seat rail | /L | 1 | I370/376/377 I378/437/438 |
| | 01C | satin black | | | |
| (2) | 997 521 362 00 | rail seat rail | /R | 1 | I369/375/377 I378/437/438 |
| | 01C | satin black | | | |
| | | - - - E N D - - - | | | |

| | | | | | | | | | | | |
|-------|------|----|----|--------------|--------------|--------|-------|------------|---------|-----|---------|
| Model | Year | MG | SG | Illustration | Restrictions | Update | 10:04 | 30.08.2006 | PORSCHE | PET | PORSCHE |
| 997t | 07 | 8 | 17 | 817-05 | | 203 | | | | | |



| Pos | Part Number | Name | Remarks | Qty | Model |
|-----|----------------|---------------------------------------|---------|-----|--------------|
| | | foam part cover comfort seat | | | |
| 1 | 997 521 535 00 | foam part backrest outer | | 2 | I437/438 |
| 2 | 997 521 581 00 | foam part backrest centre | | 2 | I437/438 |
| 3 | 997 521 571 00 | foam part seat cushion | | 1 | I437/438 |
| (3) | 997 521 571 03 | foam part seat cushion advancedairbag | | 1 | I438/560 |
| 4 | 997 521 551 00 | cushion carrier backrest | | 2 | I437/438 |
| (5) | 997 521 161 01 | cover for cushion | | 2 | I437/438/983 |
| | | FLC black | | | |
| | | FLF stone grey | | | |
| | | FLJ sand beige | | | |
| | | FLM sea blue | | | |
| | | FLP palmgreen | | | |
| | | FLQ terracotta | | | |
| | | FLR cocoa | | | |
| | | VAA dark grey/natural | | | |
| | | VAB brown/natural | | | |
| (5) | 997 521 161 02 | cover for cushion | | 2 | I437/438/982 |
| | | FLC black | | | |
| | | FLF stone grey | | | |
| | | FLJ sand beige | | | |
| | | FLM sea blue | | | |
| | | FLP palmgreen | | | |
| | | FLQ terracotta | | | |
| | | FLR cocoa | | | |

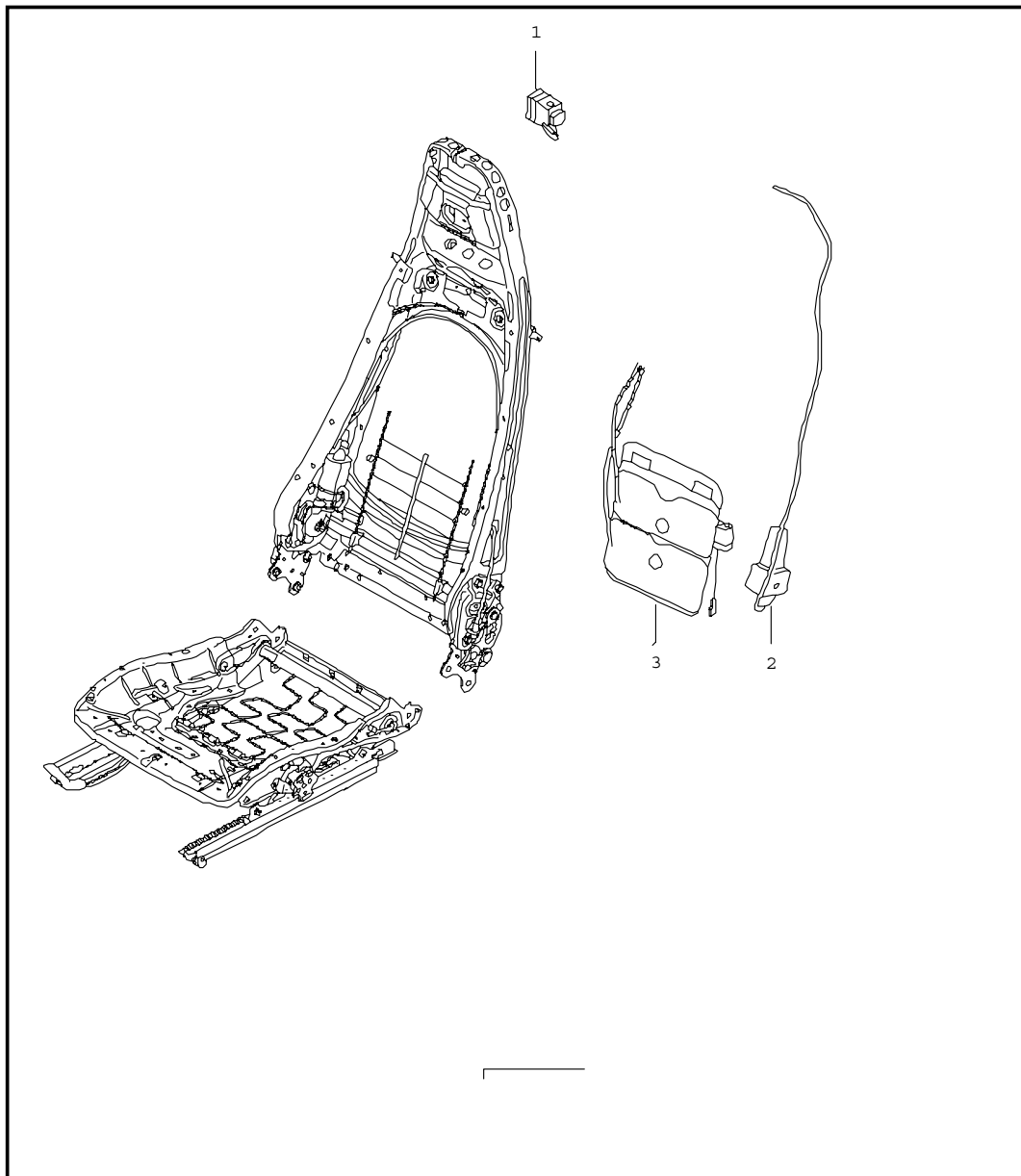
| | | | | | | | | | | | |
|-------|------|----|----|--------------|--------------|--------|-------|------------|---------|-----|---------|
| Model | Year | MG | SG | Illustration | Restrictions | Update | 10:04 | 30.08.2006 | PORSCHE | PET | PORSCHE |
| 997t | 07 | 8 | 17 | 817-05 | | 203 | | | | | |

| Pos | Part Number | Name | Remarks | Qty | Model | Pos | Part Number | Name | Remarks | Qty | Model |
|-----|----------------|---------------------------------------|---------|-----|--------------|-----|----------------|------------------------------|---------|-----|--------------|
| (6) | VAA | dark grey/natural | | 1 | I437/438/983 | (7) | FLQ | terracotta | /R | 1 | I438/982/983 |
| | VAB | brown/natural | | | | | FLR | cocoa | | | |
| | 997 521 151 00 | backrest cushion cover centre part | | | | | VAA | dark grey/natural | | | |
| | 8YR | black | | | | | VAB | brown/natural | | | |
| | 5X5 | stone grey | | | | | 997 521 142 01 | backrest cover outer part | | | |
| | 8G1 | sand beige | | | | | FLC | black | | | |
| | 3S8 | sea blue | | | | | FLF | stone grey | | | |
| | 4P1 | palmgreen | | | | | FLJ | sand beige | | | |
| | 9N2 | terracotta | | | | | FLM | sea blue | | | |
| | 9Q3 | cocoa | | | | | FLP | palmgreen | | | |
| (6) | D11 | dark grey/natural | | 1 | I437/438/982 | (7) | FLQ | terracotta | /L | 1 | IXSC/982/983 |
| | T11 | brown/natural | | | | | FLR | cocoa | | | |
| | 997 521 151 01 | backrest cushion cover centre part | | | | | VAA | dark grey/natural | | | |
| | 8YR | black | | | | | VAB | brown/natural | | | |
| | 5X5 | stone grey | | | | | 997 521 941 01 | backrest cover | | | |
| | 8G1 | sand beige | | | | | 8YR | black | | | |
| | 3S8 | sea blue | | | | | 5X5 | stone grey | | | |
| | 4P1 | palmgreen | | | | | 8G1 | sand beige | | | |
| | 9N2 | terracotta | | | | | 3S8 | sea blue | | | |
| | 9Q3 | cocoa | | | | | 4P1 | palmgreen | | | |
| (7) | D11 | dark grey/natural | /L | 1 | I437/982/983 | (7) | 9N2 | terracotta | /R | 1 | IXSC/982/983 |
| | T11 | brown/natural | | | | | 9Q3 | cocoa | | | |
| | 997 521 141 01 | backrest cover outer part | | | | | D11 | dark grey/natural | | | |
| | FLC | black | | | | | T11 | brown/natural | | | |
| | FLF | stone grey | | | | | 997 521 942 01 | backrest cover outer part | | | |
| | FLJ | sand beige | | | | | 8YR | black | | | |
| | FLM | sea blue | | | | | 5X5 | stone grey | | | |
| | FLP | palmgreen | | | | | 8G1 | sand beige | | | |

| | | | | | | | | | | | |
|-------|------|----|----|--------------|--------------|--------|-------|------------|---------|-----|---------|
| Model | Year | MG | SG | Illustration | Restrictions | Update | 10:04 | 30.08.2006 | PORSCHE | PET | PORSCHE |
| 997t | 07 | 8 | 17 | 817-05 | | 203 | | | | | |

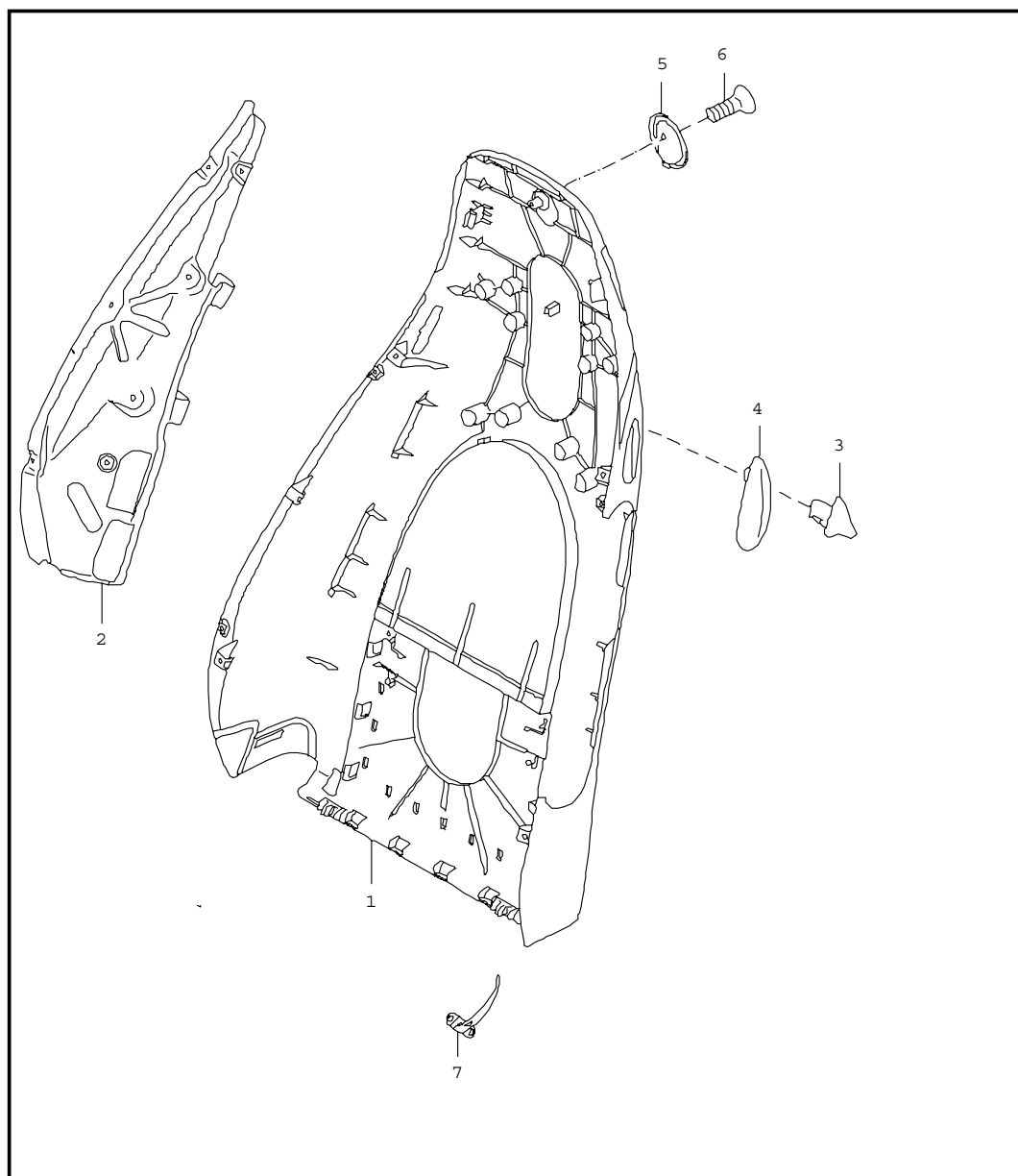
| Pos | Part Number | Name | Remarks | Qty | Model | Pos | Part Number | Name | Remarks | Qty | Model |
|-----|----------------|-------------------------|---------|-----|-------|-----|-------------|------|---------|-----|-------|
| | 3S8 | sea blue | | | | | | | | | |
| | 4P1 | palmgreen | | | | | | | | | |
| | 9N2 | terracotta | | | | | | | | | |
| | 9Q3 | cocoa | | | | | | | | | |
| | D11 | dark grey/natural | | | | | | | | | |
| | T11 | brown/natural | | | | | | | | | |
| 8 | 997 521 837 00 | clip padding seat | | 6 | | | | | | | |
| 9 | 997 521 897 00 | clip backrest cover | | 5 | | | | | | | |
| | | - - - E N D - - - | | | | | | | | | |

| | | | | | | | | | | | |
|-------|------|----|----|--------------|--------------|--------|-------|------------|---------|-----|---------|
| Model | Year | MG | SG | Illustration | Restrictions | Update | 10:05 | 30.08.2006 | PORSCHE | PET | PORSCHE |
| 997t | 07 | 8 | 17 | 817-07 | | 203 | | | | | |



| Pos | Part Number | Name | Remarks | Qty | Model |
|-------------------|----------------|-----------------------------------|---------|-----|----------------------|
| | | lumbar support comfort seat | | | |
| 1 | 997 617 726 00 | valve lumbar support memory | | 1 | I537/538 |
| 2 | 997 620 725 00 | compressor lumbar | | 1 | I437/438 |
| 3 | 997 521 709 01 | lumbar support memory | | 1 | I437/438 I537/538 |
| - - - E N D - - - | | | | | |

| | | | | | | | | | | | |
|-------|------|----|----|--------------|--------------|--------|-------|------------|---------|-----|---------|
| Model | Year | MG | SG | Illustration | Restrictions | Update | 10:05 | 30.08.2006 | PORSCHE | PET | PORSCHE |
| 997t | 07 | 8 | 17 | 817-10 | | 203 | | | | | |

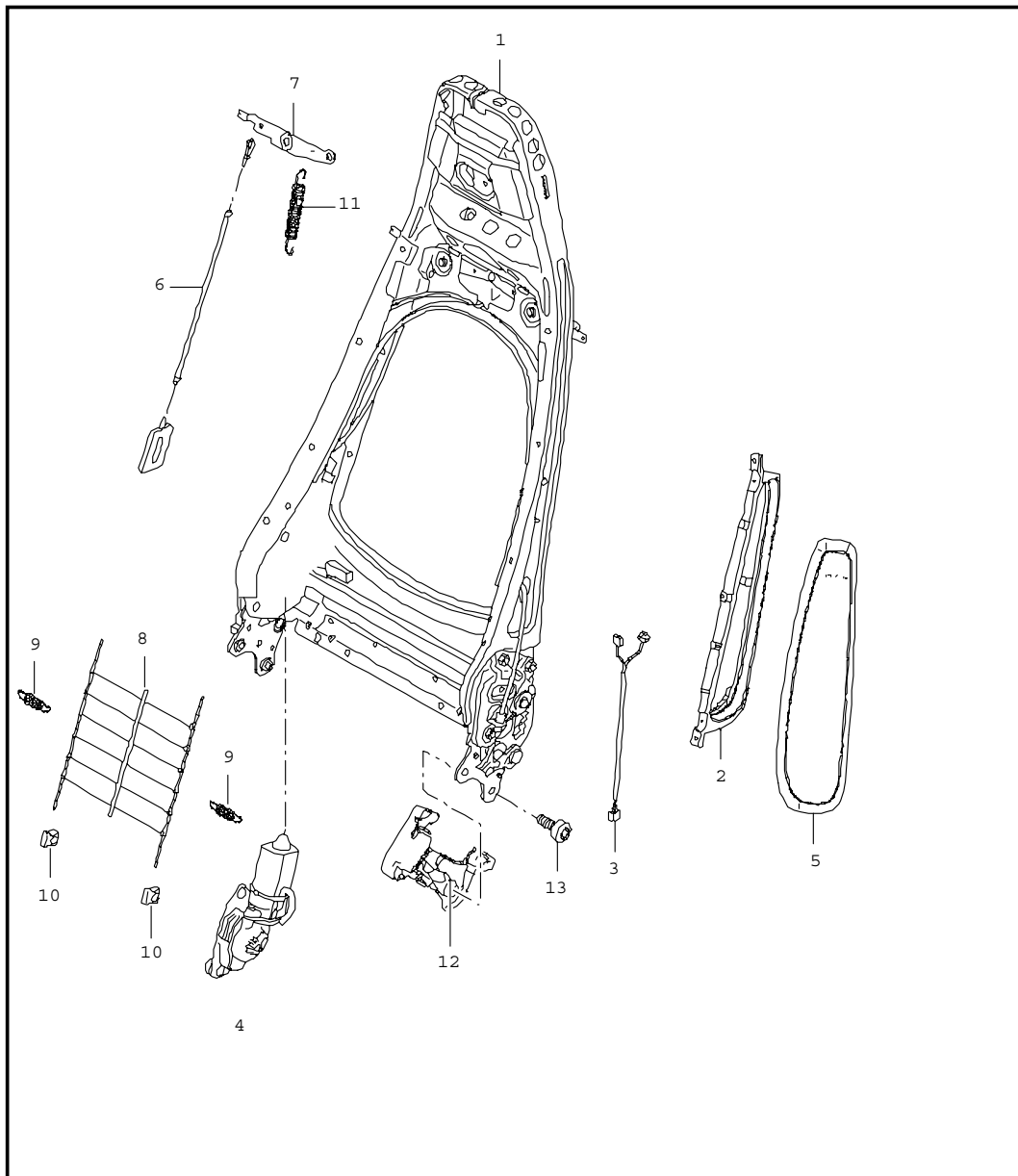


| Pos | Part Number | Name | Remarks | Qty | Model |
|-----|----------------|--|---------|-----|--------------|
| (1) | 997 521 303 10 | backrest shell series seat comfort seat leather | /L | 1 | I437/982/983 |
| | A80 | black | | | |
| | B80 | stone grey | | | |
| | T80 | sand beige | | | |
| | E80 | sea blue | | | |
| | J80 | palmgreen | | | |
| | M80 | terracotta | | | |
| | R80 | COCOA | | | |
| (1) | 997 521 304 10 | backrest shell leather | /R | 1 | I438/982/983 |
| | A80 | black | | | |
| | B80 | stone grey | | | |
| | T80 | sand beige | | | |
| | E80 | sea blue | | | |
| | J80 | palmgreen | | | |
| | M80 | terracotta | | | |
| | R80 | cocoa | | | |
| (1) | 997 521 303 11 | backrest shell | /L | 1 | I437/982/983 |
| | D11 | dark grey/natural | | | I998 |
| | T11 | brown/natural | | | |
| (1) | 997 521 304 11 | backrest shell | /R | 1 | I438/982/983 |
| | D11 | dark grey/natural | | | I998 |
| | T11 | brown/natural | | | |
| (2) | 997 521 319 00 | bracket | /L | 1 | |
| 2 | 997 521 320 00 | bracket backrest side part | /R | 1 | |
| 3 | 997 521 623 02 | control button locking lever | /L | 1 | |

| | | | | | | | | | | | |
|-------|------|----|----|--------------|--------------|--------|-------|------------|---------|-----|---------|
| Model | Year | MG | SG | Illustration | Restrictions | Update | 10:05 | 30.08.2006 | PORSCHE | PET | PORSCHE |
| 997t | 07 | 8 | 17 | 817-10 | | 203 | | | | | |

| Pos | Part Number | Name | Remarks | Qty | Model | Pos | Part Number | Name | Remarks | Qty | Model |
|-----|----------------|-------------------------------------|---------|-----|----------|-----|-------------|------|---------|-----|-------|
| | V05 | galvano silver | | | | | | | | | |
| (3) | 997 521 624 02 | control button locking lever | /R | 1 | | | | | | | |
| | V05 | galvano silver | | | | | | | | | |
| 4 | 997 521 621 02 | rose locking lever | /L | 1 | I437/438 | | | | | | |
| | D07 | volcano grey | | | | | | | | | |
| (4) | 997 521 622 02 | rose locking lever | /R | 1 | I437/438 | | | | | | |
| | D07 | volcano grey | | | | | | | | | |
| 5 | 997 521 373 01 | coat hook | | 2 | I437/438 | | | | | | |
| | D07 | volcano grey | | | | | | | | | |
| 6 | 999 919 232 09 | countersunk-head screw coat hook | | 1 | | | | | | | |
| 7 | 997 521 783 00 | bracket | /L | 1 | | | | | | | |
| (7) | 997 521 784 00 | bracket backrest shell | /R | 1 | | | | | | | |
| | | - - - E N D - - - | | | | | | | | | |

| | | | | | | | | | | | |
|-------|------|----|----|--------------|--------------|--------|-------|------------|---------|-----|---------|
| Model | Year | MG | SG | Illustration | Restrictions | Update | 10:05 | 30.08.2006 | PORSCHE | PET | PORSCHE |
| 997t | 07 | 8 | 17 | 817-15 | | 203 | | | | | |

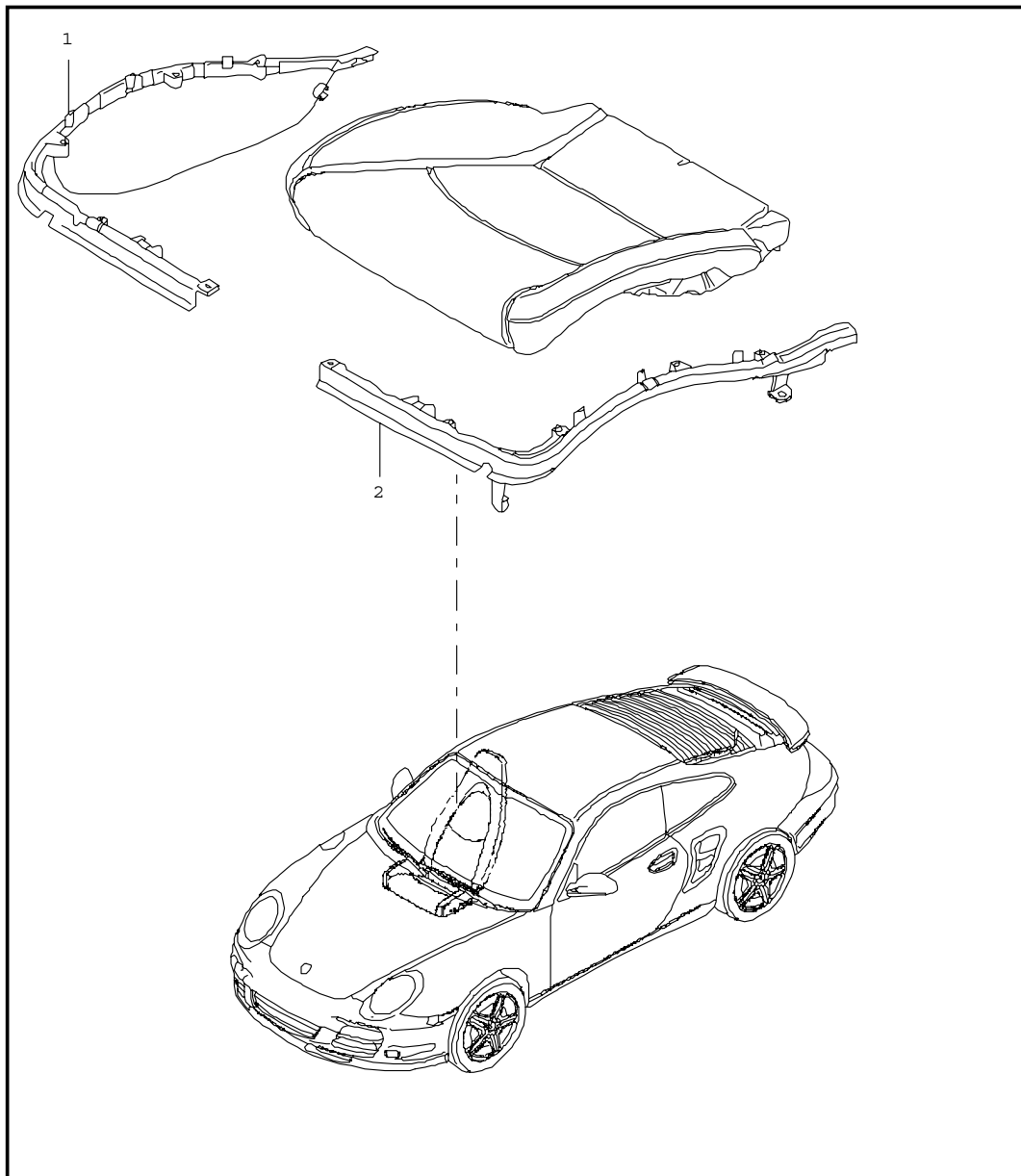


| Pos | Part Number | Name | Remarks | Qty | Model |
|-----|----------------|--|---------|-----|----------|
| | | backrest frame comfort seat | | | |
| 1 | 997 521 329 00 | backrest frame without memory | /L/R | 2 | I437/438 |
| (1) | 997 521 329 01 | backrest frame with memory | /L/R | 2 | I537/538 |
| 2 | 997 521 533 00 | cushion carrier | /L | 1 | I437 |
| (2) | 997 521 534 00 | cushion carrier side airbag | /R | 1 | I438 |
| 3 | 997 612 785 01 | wiring harness | /L | 1 | I537 |
| (3) | 997 612 786 01 | wiring harness side airbag | /R | 1 | I538 |
| 4 | 997 624 331 00 | electric motor backrest frame memory | | 1 | I537/538 |
| 5 | 997 803 081 01 | side airbag | /L | 1 | I437 |
| | A03 | black | | | |
| | 5V7 | stone grey | | | |
| | 5Z1 | sand beige | | | |
| | 8W7 | sea blue | | | |
| | 5Y2 | palmgreen | | | |
| | 8X8 | terracotta | | | |
| | 8P9 | cocoa | | | |
| | T13 | brown/natural | | | |
| (5) | 997 803 082 01 | side airbag | /R | 1 | I438 |
| | A03 | black | | | |
| | 5V7 | stone grey | | | |
| | 5Z1 | sand beige | | | |
| | 8W7 | sea blue | | | |
| | 5Y2 | palmgreen | | | |
| | 8X8 | terracotta | | | |
| | 8P9 | cocoa | | | |

| | | | | | | | | | | | |
|-------|------|----|----|--------------|--------------|--------|-------|------------|---------|-----|---------|
| Model | Year | MG | SG | Illustration | Restrictions | Update | 10:05 | 30.08.2006 | PORSCHE | PET | PORSCHE |
| 997t | 07 | 8 | 17 | 817-15 | | 203 | | | | | |

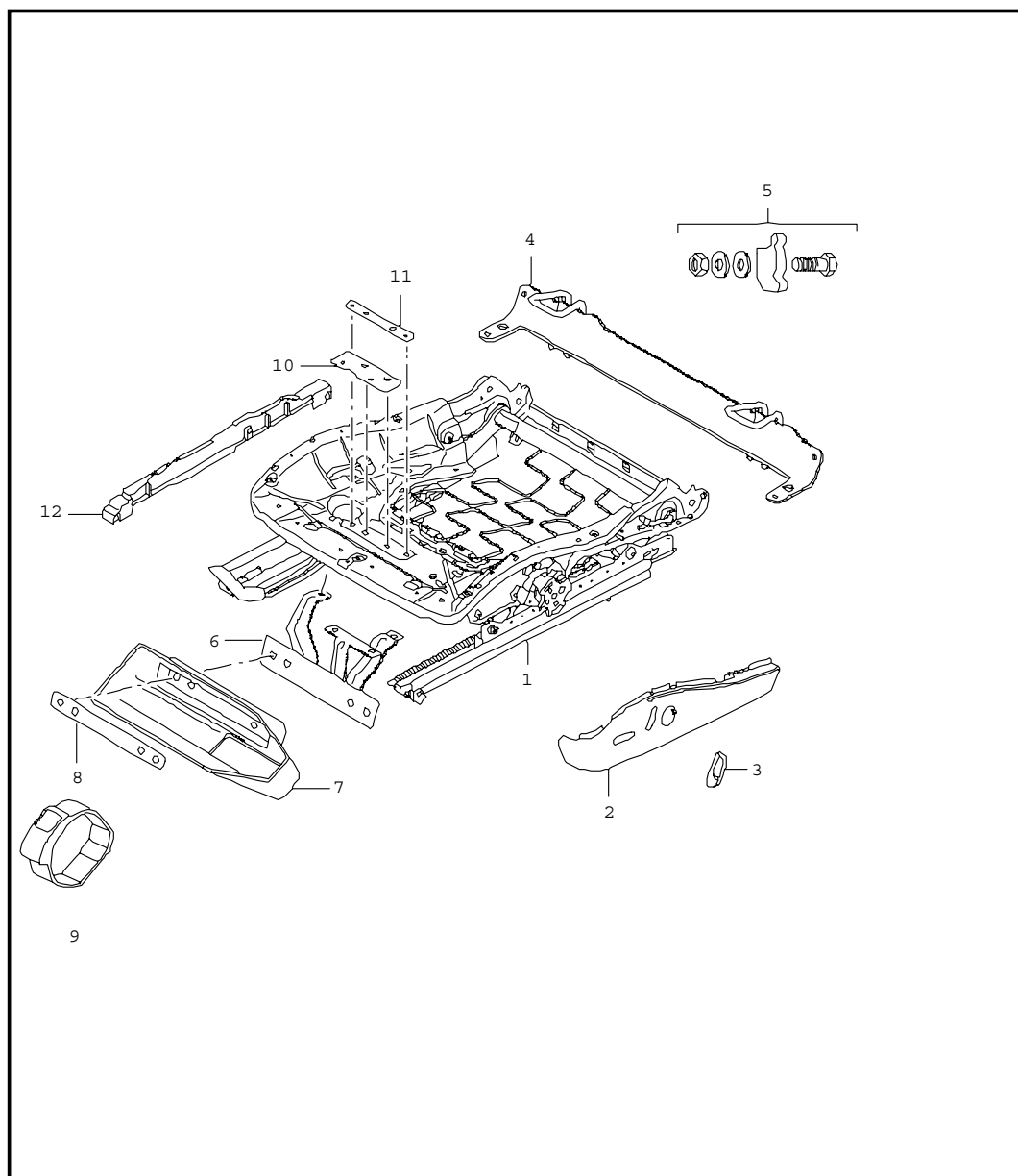
| Pos | Part Number | Name | Remarks | Qty | Model | Pos | Part Number | Name | Remarks | Qty | Model |
|------|----------------|---|---------|-----|-------|-----|-------------|------|---------|-----|-------|
| | T13 | brown/natural | | | | | | | | | |
| 6 | 997 521 485 00 | bowden cable backrest frame | | 2 | | | | | | | |
| 7 | 997 521 375 00 | release backrest frame | | 1 | | | | | | | |
| 8 | 997 521 855 00 | grille backrest frame | | 1 | | | | | | | |
| 9 | 997 521 893 00 | tension spring inner spring | | 2 | | | | | | | |
| 10 | 997 521 895 00 | clip inner spring | | 2 | | | | | | | |
| 11 | 997 521 797 00 | tension spring release backrest | | 1 | | | | | | | |
| 12 | 997 521 335 01 | cover mounting component inner | /L | 1 | I437 | | | | | | |
| | D07 | volcano grey | | | | | | | | | |
| (12) | 997 521 336 01 | cover mounting component inner | /R | 1 | I438 | | | | | | |
| | D07 | volcano grey | | | | | | | | | |
| 13 | 999 073 375 09 | screw mount backrest seat adjuster | | 4 | | | | | | | |
| | | - - - E N D - - - | | | | | | | | | |

| | | | | | | | | | | | |
|-------|------|----|----|--------------|--------------|--------|-------|------------|---------|-----|---------|
| Model | Year | MG | SG | Illustration | Restrictions | Update | 10:05 | 30.08.2006 | PORSCHE | PET | PORSCHE |
| 997t | 07 | 8 | 17 | 817-16 | | 203 | | | | | |



| Pos | Part Number | Name | Remarks | Qty | Model |
|-------------------|----------------|--|---------|-----|----------|
| | | cushion carrier frame seat surface | | | |
| (1) | 997 521 547 00 | frame inner left | /L | 1 | I438 |
| 1 | 997 521 548 00 | frame inner right | /R | 1 | I437 |
| 2 | 997 521 545 00 | frame outer left without advancedairbag | /L | 1 | I437 |
| (2) | 997 521 546 00 | frame outer right without advancedairbag | /R | 1 | I438 |
| (2) | 997 521 546 01 | frame outer right with advancedairbag | /R | 1 | I438/560 |
| - - - E N D - - - | | | | | |

| | | | | | | | | | | | |
|-------|------|----|----|--------------|--------------|--------|-------|------------|---------|-----|---------|
| Model | Year | MG | SG | Illustration | Restrictions | Update | 10:06 | 30.08.2006 | PORSCHE | PET | PORSCHE |
| 997t | 07 | 8 | 17 | 817-19 | | 203 | | | | | |

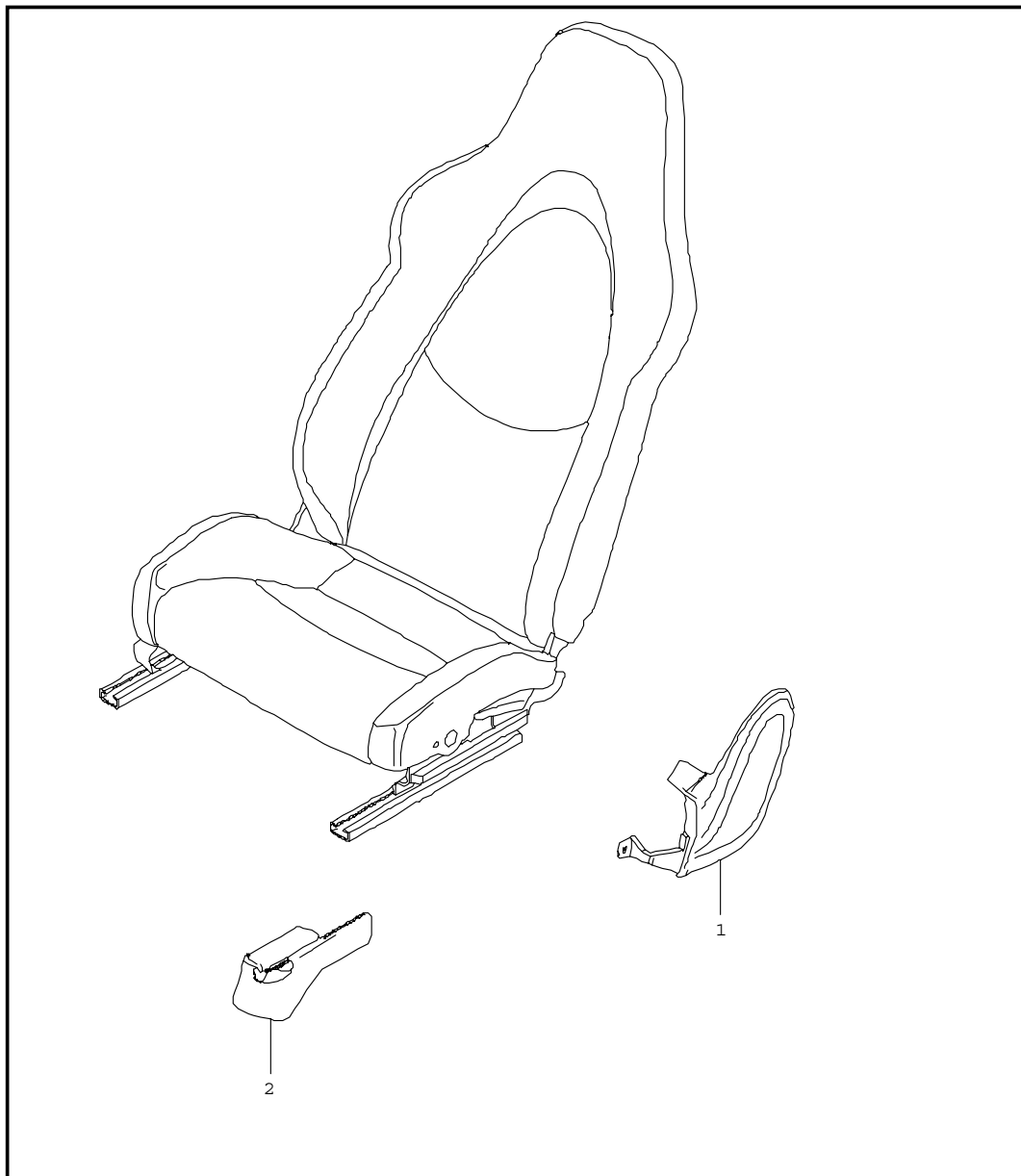


| Pos | Part Number | Name | Remarks | Qty | Model |
|-----|----------------|--|---------|-----|----------|
| | | seat adjuster series seat comfort seat | | | |
| 1 | 997 521 201 04 | seat adjuster | /L | 1 | I437 |
| (1) | 997 521 202 10 | seat adjuster electric without memory | /R | 1 | I438 |
| (1) | 997 521 201 05 | seat adjuster | /L | 1 | I437/537 |
| (1) | 997 521 202 11 | seat adjuster electric with memory | /R | 1 | I438/538 |
| (1) | 997 521 202 12 | seat adjuster electric seat occupancy detection | /R | 1 | I438/560 |
| 2 | 997 521 325 07 | trim for switch without advancedairbag D07 volcano grey | /L | 1 | I437 |
| (2) | 997 521 326 07 | trim for switch without advancedairbag D07 volcano grey | /R | 1 | I438 |
| (2) | 997 521 326 10 | trim for switch advancedairbag D07 volcano grey | /R | 1 | I438/560 |
| 3 | 997 521 631 01 | control button backrest V05 galvano silver | | 1 | |
| 4 | 997 521 061 01 | retaining bow child car seat ISOFIX not for AUSTRALIEN | | 1 | |
| 5 | 997 521 961 01 | set of fastening parts retaining bow | | 1 | |
| 6 | 997 521 251 00 | support fire extinguisher | | 1 | I098/509 |
| (6) | 997 521 252 00 | support fire extinguisher | | 1 | I099/509 |

| | | | | | | | | | | | |
|-------|------|----|----|--------------|--------------|--------|-------|------------|---------|-----|---------|
| Model | Year | MG | SG | Illustration | Restrictions | Update | 10:06 | 30.08.2006 | PORSCHE | PET | PORSCHE |
| 997t | 07 | 8 | 17 | 817-19 | | 203 | | | | | |

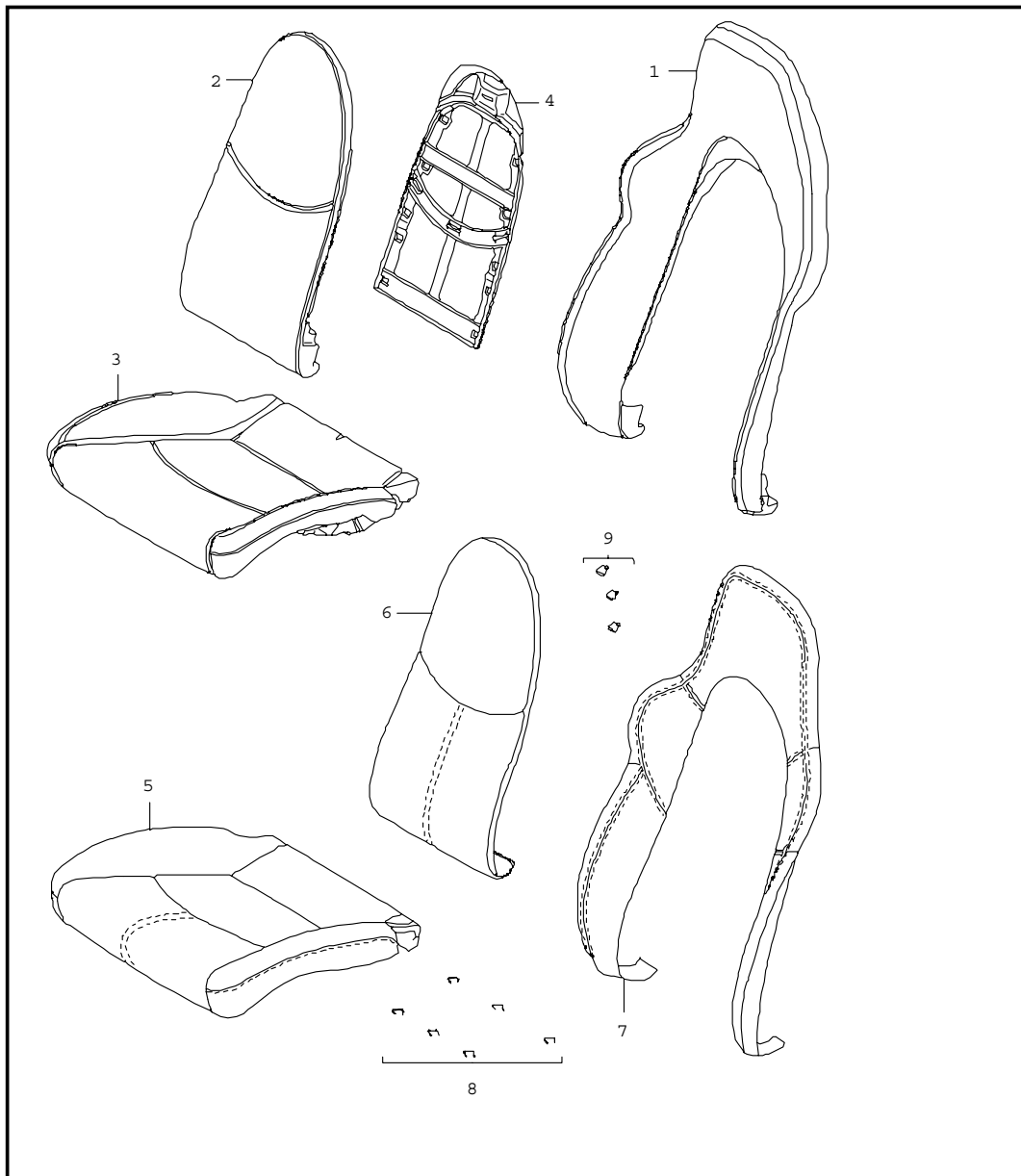
| Pos | Part Number | Name | Remarks | Qty | Model | Pos | Part Number | Name | Remarks | Qty | Model |
|------|----------------|--|---------|-----|----------|-----|-------------|------|---------|-----|-------|
| 7 | 997 521 607 00 | cup fire extinguisher | | 1 | I509 | | | | | | |
| 8 | 997 521 881 00 | support cup fire extinguisher | | 1 | I509 | | | | | | |
| 9 | 997 521 851 00 | restraining strap fire extinguisher | | 1 | I509 | | | | | | |
| 10 | 997 521 841 00 | reinforcement front | | 1 | I509 | | | | | | |
| 11 | 997 521 843 00 | reinforcement rear | | 1 | I509 | | | | | | |
| 12 | 997 521 427 01 | cover sensor weight | /L | 1 | I438/560 | | | | | | |
| | 01C | satin black | | | | | | | | | |
| (12) | 997 521 426 01 | cover sensor weight | /R | 1 | I438/560 | | | | | | |
| | 01C | satin black | | | | | | | | | |
| 13 | 999 141 047 01 | torx screw mount seat rail | | 4 | | | | | | | |
| | | - - - E N D - - - | | | | | | | | | |

| | | | | | | | | | | | |
|-------|------|----|----|--------------|--------------|--------|-------|------------|---------|-----|---------|
| Model | Year | MG | SG | Illustration | Restrictions | Update | 10:06 | 30.08.2006 | PORSCHE | PET | PORSCHE |
| 997t | 07 | 8 | 17 | 817-20 | | 203 | | | | | |



| Pos | Part Number | Name | Remarks | Qty | Model |
|-------------------|----------------|--|---------|-----|----------------------|
| | | front seat complete not available sports seat | | | |
| 1 | 997 521 315 02 | trim D07 volcano grey | /L | 1 | I377/437 |
| (1) | 997 521 316 02 | trim D07 volcano grey | /R | 1 | I376/378/438 |
| (1) | 997 521 316 03 | trim mounting component advancedairbag D07 volcano grey | | 1 | I376/378/438 I560 |
| 2 | 997 521 359 01 | rail 01C satin black | /L | 1 | I375 |
| (2) | 997 521 360 01 | rail seat rail manual 01C satin black | /R | 1 | I376 |
| (2) | 997 521 361 00 | rail seat rail 01C satin black | | 1 | I376/377/378 |
| (2) | 997 521 362 00 | rail seat rail 01C satin black | | 1 | I375/377/378 |
| - - - E N D - - - | | | | | |

| | | | | | | | | | | | |
|-------|------|----|----|--------------|--------------|--------|-------|------------|---------|-----|---------|
| Model | Year | MG | SG | Illustration | Restrictions | Update | 10:06 | 30.08.2006 | PORSCHE | PET | PORSCHE |
| 997t | 07 | 8 | 17 | 817-25 | | 203 | | | | | |



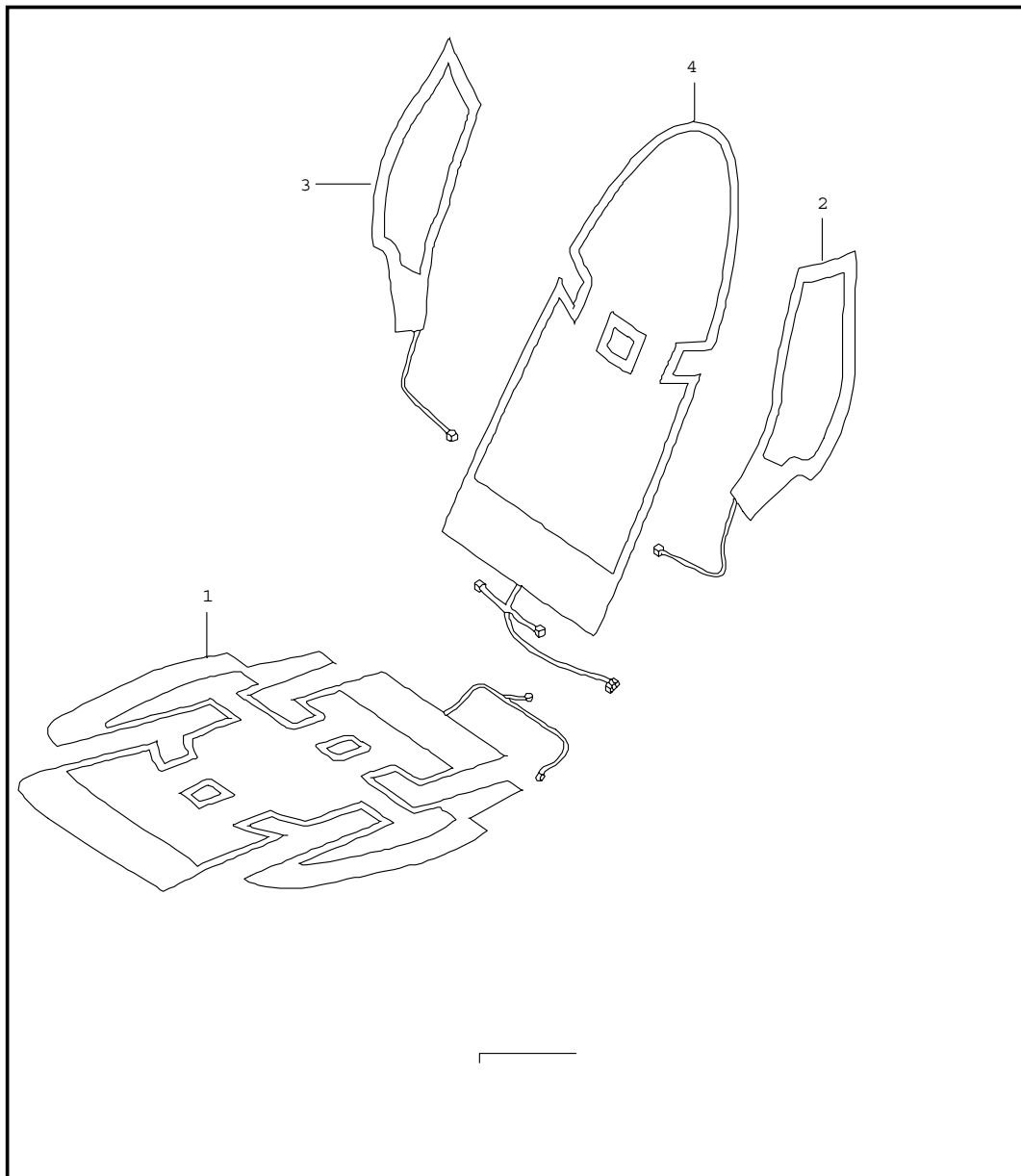
| Pos | Part Number | Name | Remarks | Qty | Model |
|-----|----------------|-----------------------------------|---------|-----|--------------|
| | | foam part cover sports seat | | | |
| 1 | 997 521 535 01 | foam part | | 1 | I375/376 |
| 1 | 997 521 535 02 | foam part backrest outer | | 1 | I377/378 |
| 2 | 997 521 581 00 | foam part backrest centre | | 1 | |
| 3 | 997 521 571 01 | foam part | | 1 | I375/376 |
| (3) | 997 521 571 02 | foam part | | 1 | I378 |
| (3) | 997 521 571 04 | foam part | | 1 | I376/560 |
| (3) | 997 521 571 05 | foam part seat cushion | | 1 | I378/560 |
| 4 | 997 521 551 00 | cushion carrier backrest | | 1 | |
| 5 | 997 521 161 03 | cover for cushion | | 1 | I375/376/983 |
| | | FLC black | | | |
| | | FLF stone grey | | | |
| | | FLJ sand beige | | | |
| | | FLM sea blue | | | |
| | | FLP palmgreen | | | |
| | | FLQ terracotta | | | |
| | | FLR cocoa | | | |
| | | VAA dark grey/natural | | | |
| | | VAB brown/natural | | | |
| (5) | 997 521 161 06 | cover for cushion | | 1 | I377/378/983 |
| | | FLC black | | | |
| | | FLF stone grey | | | |
| | | FLJ sand beige | | | |
| | | FLM sea blue | | | |
| | | FLP palmgreen | | | |

| | | | | | | | | | | | |
|-------|------|----|----|--------------|--------------|--------|-------|------------|---------|-----|---------|
| Model | Year | MG | SG | Illustration | Restrictions | Update | 10:06 | 30.08.2006 | PORSCHE | PET | PORSCHE |
| 997t | 07 | 8 | 17 | 817-25 | | 203 | | | | | |

| Pos | Part Number | Name | Remarks | Qty | Model | Pos | Part Number | Name | Remarks | Qty | Model | | | |
|-----|----------------|---------------------------|------------------------|-----|--------------------------|-----|-------------|-------------------|---------|-----|-------|---------------------|---|--|
| 6 | 997 521 151 00 | FLQ | terracotta | 1 | I375/376/377 I378/983 | | 8G1 | sand beige | | | | | | |
| | | FLR | cocoa | | | | 3S8 | sea blue | | | | | | |
| | | VAA | dark grey/natural | | | | 4P1 | palmgreen | | | | | | |
| | | VAB | brown/natural | | | | 9N2 | terracotta | | | | | | |
| | | | backrest cushion cover | | | | 9Q3 | cocoa | | | | | | |
| | | | centre part | | | | D11 | dark grey/natural | | | | | | |
| | | | alcantara | | | | T11 | brown/natural | | | | | | |
| | | 8YR | black | | | | 8 | 997 521 837 00 | | | | clip padding seat | 6 | |
| | | D11 | dark grey/natural | | | | 9 | 997 521 897 00 | | | | clip backrest cover | 5 | |
| | | 5X5 | stone grey | | | | | | | | | | | |
| | | 8G1 | sand beige | | | | | | | | | | | |
| | | 3S8 | sea blue | | | | | | | | | | | |
| | | 4P1 | palmgreen | | | | | | | | | | | |
| | | 9N2 | terracotta | | | | | | | | | | | |
| 9Q3 | cocoa | | | | | | | | | | | | | |
| T11 | brown/natural | | | | | | | | | | | | | |
| (7) | 997 521 155 01 | backrest cover outer part | | 1 | I377/378/983 | | | | | | | | | |
| | FLC | black | | | | | | | | | | | | |
| | FLF | stone grey | | | | | | | | | | | | |
| | FLJ | sand beige | | | | | | | | | | | | |
| | FLM | sea blue | | | | | | | | | | | | |
| | FLP | palmgreen | | | | | | | | | | | | |
| | FLQ | terracotta | | | | | | | | | | | | |
| | FLR | cocoa | | | | | | | | | | | | |
| | VAA | dark grey/natural | | | | | | | | | | | | |
| | VAB | brown/natural | | | | | | | | | | | | |
| (7) | 997 521 941 02 | backrest cover outer part | | 1 | IXSC/983 | | | | | | | | | |
| | 8YR | black | | | | | | | | | | | | |
| | 5X5 | stone grey | | | | | | | | | | | | |

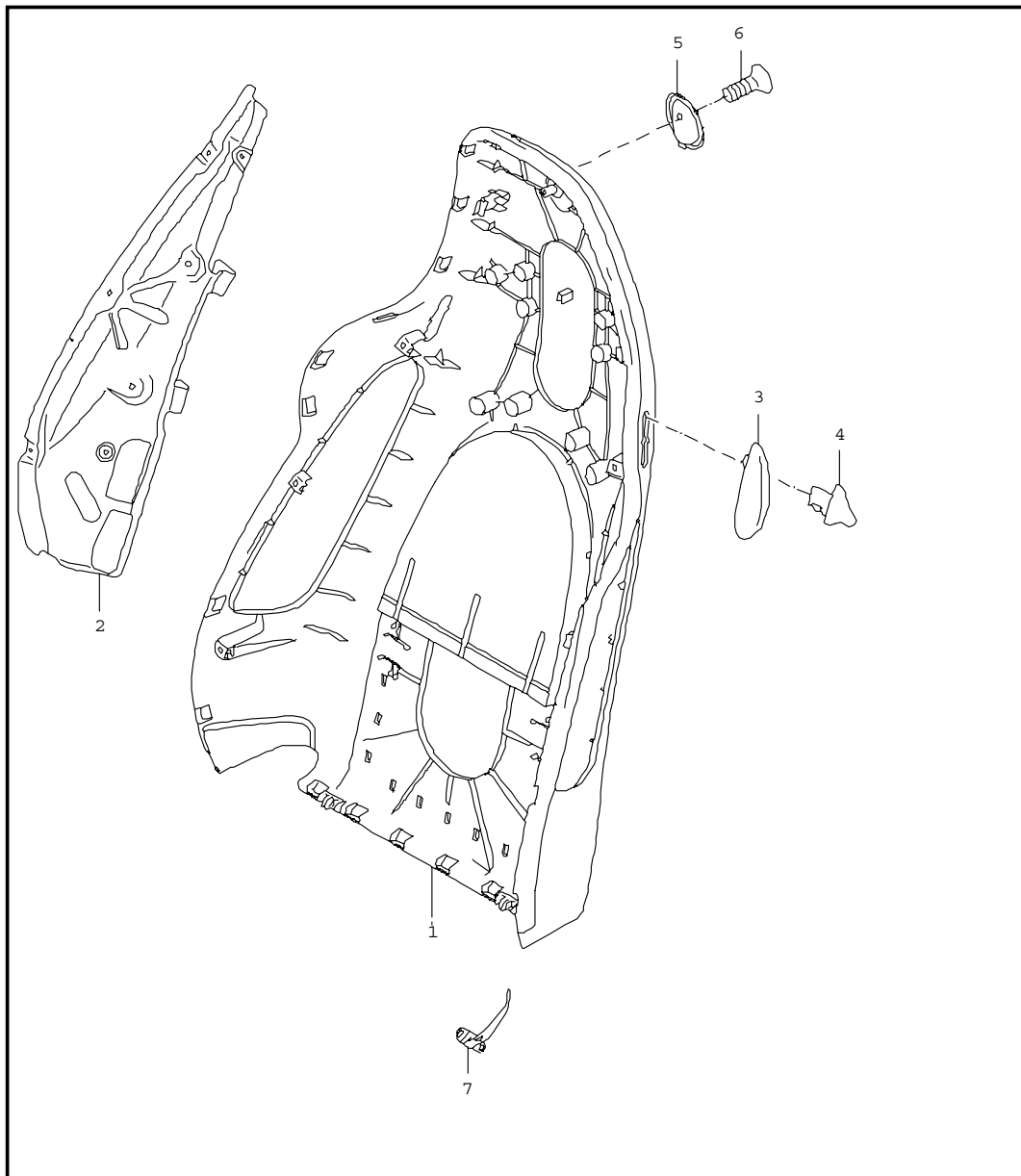
- - - E N D - - -

| | | | | | | | | | | | |
|-------|------|----|----|--------------|--------------|--------|-------|------------|---------|-----|---------|
| Model | Year | MG | SG | Illustration | Restrictions | Update | 10:06 | 30.08.2006 | PORSCHE | PET | PORSCHE |
| 997t | 07 | 8 | 17 | 817-28 | | 203 | | | | | |



| Pos | Part Number | Name | Remarks | Qty | Model |
|-----|----------------|--|---------|-----|--------------------------|
| | | heating sports seat front seat | | | |
| 2 | 997 653 105 03 | heating element seat cushion sports seat | /L/R | 2 | I375/376/377 I378/342 |
| 2 | 997 653 109 01 | heating element backrest side part sports seat | /L | 1 | I375/376/377 I378/342 |
| 3 | 997 653 110 01 | heating element backrest side part sports seat | /R | 1 | I375/376/377 I378/342 |
| 4 | 997 653 107 00 | heating element backrest cushion | /L/R | 2 | I342 |
| | | - - - E N D - - - | | | |

| | | | | | | | | | | | |
|-------|------|----|----|--------------|--------------|--------|-------|------------|---------|-----|---------|
| Model | Year | MG | SG | Illustration | Restrictions | Update | 10:06 | 30.08.2006 | PORSCHE | PET | PORSCHE |
| 997t | 07 | 8 | 17 | 817-30 | | 203 | | | | | |

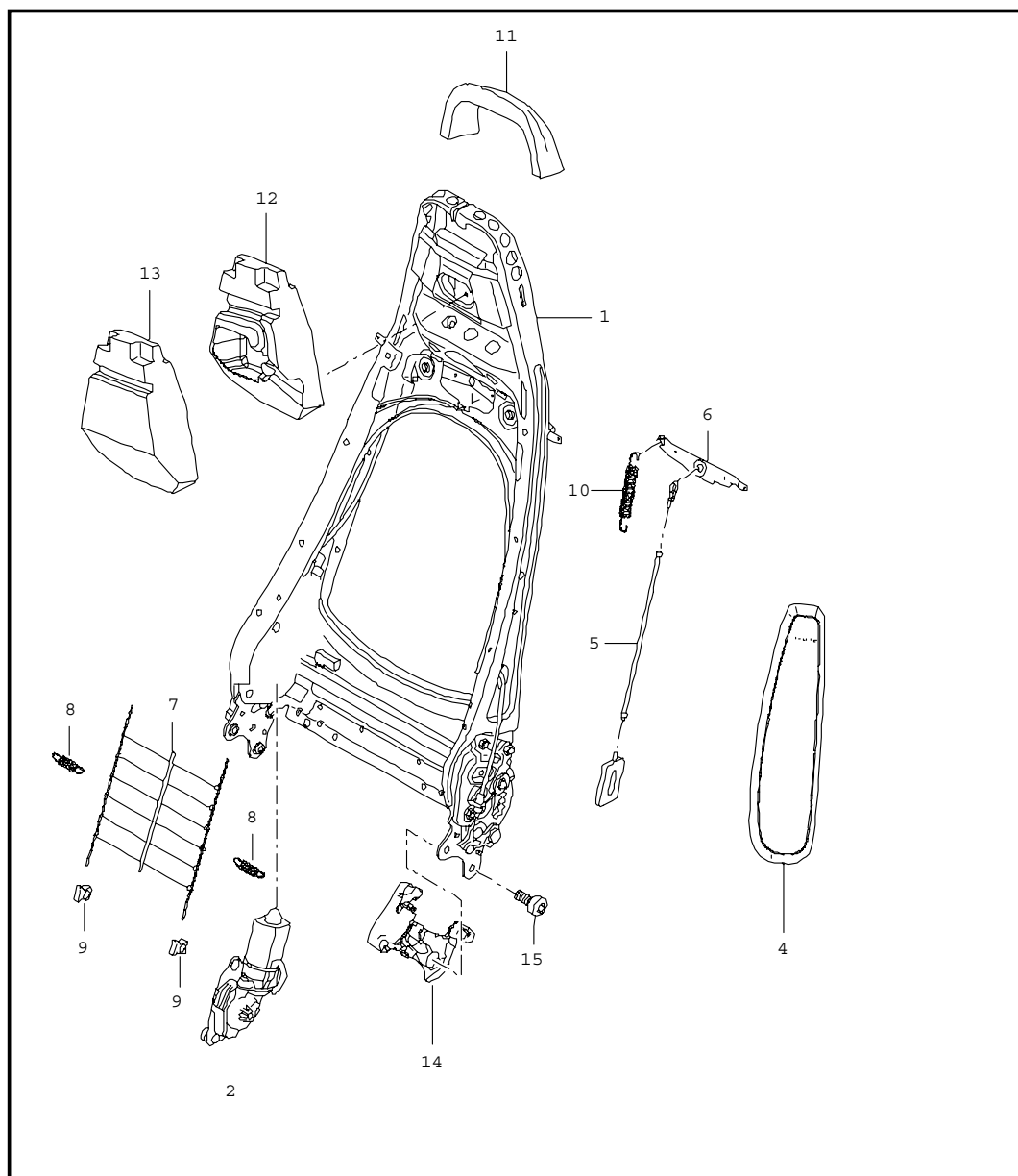


| Pos | Part Number | Name | Remarks | Qty | Model |
|-----|----------------|-------------------------------|---------|-----|--------------|
| 1 | 997 521 303 13 | backrest shell sports seat | | | |
| | D07 | volcano grey | /L | 1 | I375/377 |
| (1) | 997 521 304 13 | backrest shell | /R | 1 | I376/378 |
| | D07 | volcano grey | | | |
| (1) | 997 521 981 00 | backrest shell | | 1 | I375/377/XSA |
| | M7W | meteor grey metallic | | | |
| | 041 | black | | | |
| | 84A | guards red | | | |
| | 12H | speed yellow | | | |
| | B9A | carrara white | | | |
| | 92U | arctic silver metallic | | | |
| | M3W | carmon red metallic | | | |
| | M5W | lapis blue metallic | | | |
| | M6W | lagoon green metallic | | | |
| | C9Z | basalt black metallic | | | |
| | M7X | atlas grey metallic | | | |
| | 39C | midnight blue metallic | | | |
| | 2B4 | forest green metallic | | | |
| | 3C8 | cobalt blue metallic | | | |
| | 23F | slate grey metallic | | | |
| | M6X | dark olive-metallic | | | |
| | M7Z | gt silver metallic | | | |
| (1) | 997 521 982 00 | backrest shell | | 1 | I376/378/XSA |
| | M7W | meteor grey metallic | | | |
| | 041 | black | | | |
| | 84A | guards red | | | |
| | 12H | speed yellow | | | |
| | B9A | carrara white | | | |

| | | | | | | | | | | | |
|-------|------|----|----|--------------|--------------|--------|-------|------------|---------|-----|---------|
| Model | Year | MG | SG | Illustration | Restrictions | Update | 10:06 | 30.08.2006 | PORSCHE | PET | PORSCHE |
| 997t | 07 | 8 | 17 | 817-30 | | 203 | | | | | |

| Pos | Part Number | Name | Remarks | Qty | Model | Pos | Part Number | Name | Remarks | Qty | Model |
|-----|----------------|---------------------------|---------|-----|--------------|-----|----------------|-------------------------------|---------|-----|-------|
| | 92U | arctic silver metallic | | | | | 5X6 | stone grey | | | |
| | M3W | carmon red metallic | | | | | 8G2 | sand beige | | | |
| | M5W | lapis blue metallic | | | | | 3S9 | sea blue | | | |
| | M6W | lagoon green metallic | | | | | 4P2 | palmgreen | | | |
| | C9Z | basalt black metallic | | | | | 9S5 | terracotta | | | |
| | M7X | atlas grey metallic | | | | | 9V6 | cocoa | | | |
| | 39C | midnight blue metallic | | | | | D12 | dark grey/natural | | | |
| | 2B4 | forest green metallic | | | | | T12 | brown/natural | | | |
| | 3C8 | cobalt blue metallic | | | | 2 | 997 521 319 00 | bracket | /L | 1 | |
| | 23F | slate grey metallic | | | | (2) | 997 521 320 00 | bracket backrest side part | /R | 1 | |
| | M6X | dark olive-metallic | | | | 3 | 997 521 621 03 | rose | /L | 1 | |
| | M7Z | gt silver metallic | | | | | D07 | volcano grey | | | |
| (1) | 997 521 981 01 | backrest shell | | 1 | I375/377/XCG | (3) | 997 521 622 03 | rose locking lever | /R | 1 | |
| | V04 | galvano silver | | | | | D07 | volcano grey | | | |
| (1) | 997 521 982 01 | backrest shell | | 1 | I376/378/XCG | 4 | 997 521 623 02 | control button | /L | 1 | |
| | V04 | galvano silver | | | | | V05 | galvano silver | | | |
| (1) | 997 521 981 04 | backrest shell leather | | 1 | I375/377/XSB | (4) | 997 521 624 02 | control button | /R | 1 | |
| | A11 | black | | | | | V05 | galvano silver | | | |
| | 5X6 | stone grey | | | | 5 | 997 521 373 01 | coat hook | /L/R | 2 | |
| | 8G2 | sand beige | | | | | D07 | volcano grey | | | |
| | 3S9 | sea blue | | | | 6 | 999 919 232 09 | screw coat hook | | 2 | |
| | 4P2 | palmgreen | | | | 7 | 997 521 783 00 | bracket | /L | 1 | |
| | 9S5 | terracotta | | | | (7) | 997 521 784 00 | bracket backrest shell | /R | 1 | |
| | 9V6 | cocoa | | | | | | | | | |
| | D12 | dark grey/natural | | | | | | | | | |
| | T12 | brown/natural | | | | | | | | | |
| (1) | 997 521 982 04 | backrest shell leather | | 1 | I376/378/XSB | | | | | | |
| | A11 | black | | | | | | | | | |
| | | | | | | | | - - - E N D - - - | | | |

| | | | | | | | | | | | |
|-------|------|----|----|--------------|--------------|--------|-------|------------|---------|-----|---------|
| Model | Year | MG | SG | Illustration | Restrictions | Update | 10:07 | 30.08.2006 | PORSCHE | PET | PORSCHE |
| 997t | 07 | 8 | 17 | 817-40 | | 203 | | | | | |

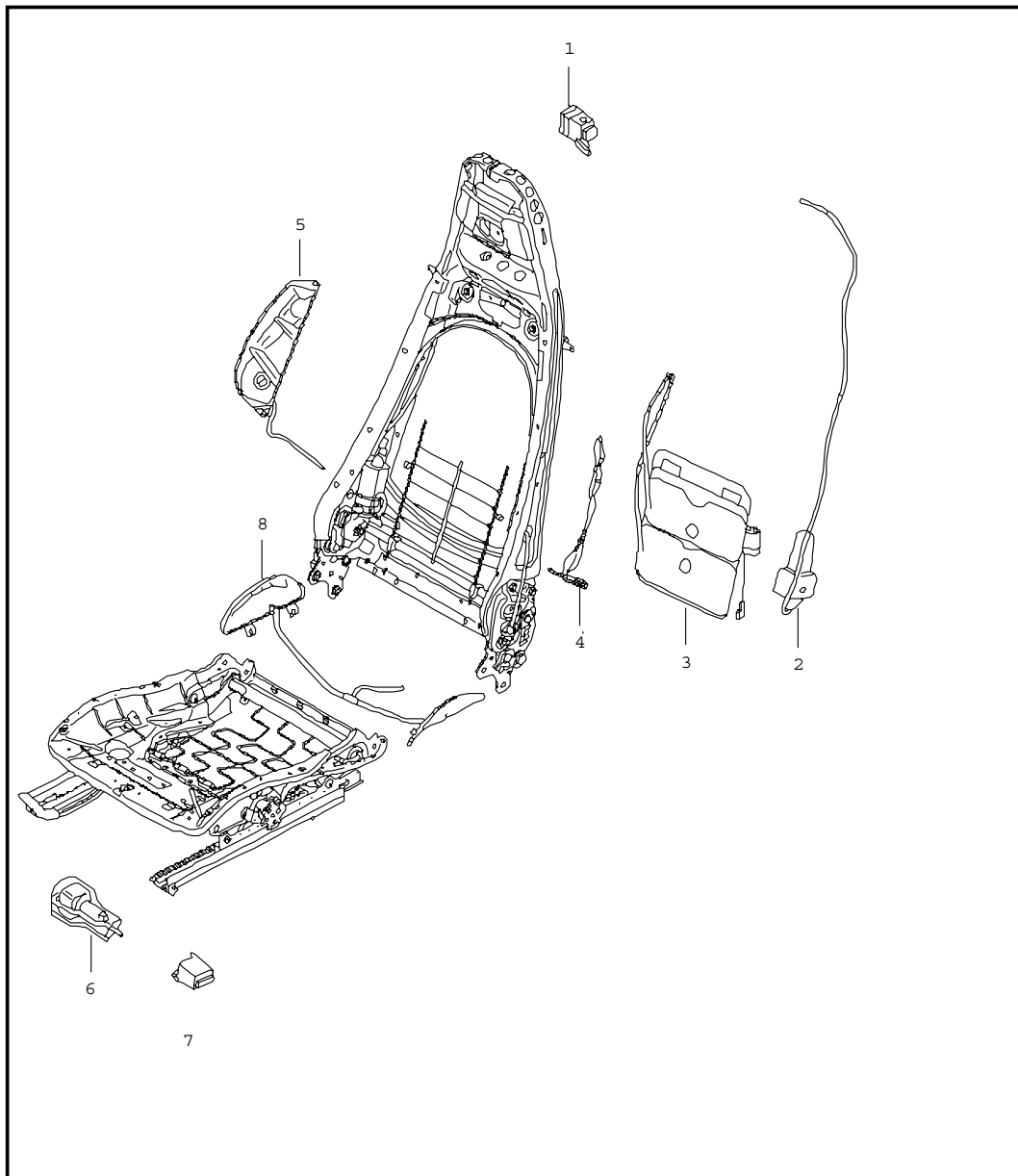


| Pos | Part Number | Name | Remarks | Qty | Model |
|-----|----------------|---|---------|-----|----------|
| | | backrest frame sports seat | | | |
| 1 | 997 521 329 00 | backrest frame | /L/R | 2 | |
| (1) | 997 521 329 01 | backrest frame with memory | /L/R | 2 | I537/538 |
| 2 | 997 624 321 00 | electric motor backrest without memory | /L/R | 1 | I377/378 |
| (2) | 997 624 331 00 | electric motor backrest with memory | | 1 | I537/538 |
| 4 | 997 803 081 01 | side airbag | /L | 1 | |
| | | D07 volcano grey | | | |
| (4) | 997 803 082 01 | side airbag | /R | 1 | |
| | | D07 volcano grey | | | |
| 5 | 997 521 485 00 | bowden cable backrest frame | | 2 | |
| 6 | 997 521 375 00 | release backrest frame | | 2 | |
| 7 | 997 521 855 00 | grille backrest frame | | 2 | |
| 8 | 997 521 893 00 | tension spring grille | | 2 | |
| 9 | 997 521 895 00 | clip grille | | 2 | |
| 10 | 997 521 797 00 | tension spring release backrest | | 1 | |
| 11 | 997 521 885 00 | foam part head rest upper | | 1 | |
| 12 | 997 521 887 01 | foam part head rest centre | | 1 | I377/378 |
| 13 | 997 521 887 00 | foam part head rest centre | | 1 | I375/376 |

| | | | | | | | | | | | |
|-------|------|----|----|--------------|--------------|--------|-------|------------|---------|-----|---------|
| Model | Year | MG | SG | Illustration | Restrictions | Update | 10:07 | 30.08.2006 | PORSCHE | PET | PORSCHE |
| 997t | 07 | 8 | 17 | 817-40 | | 203 | | | | | |

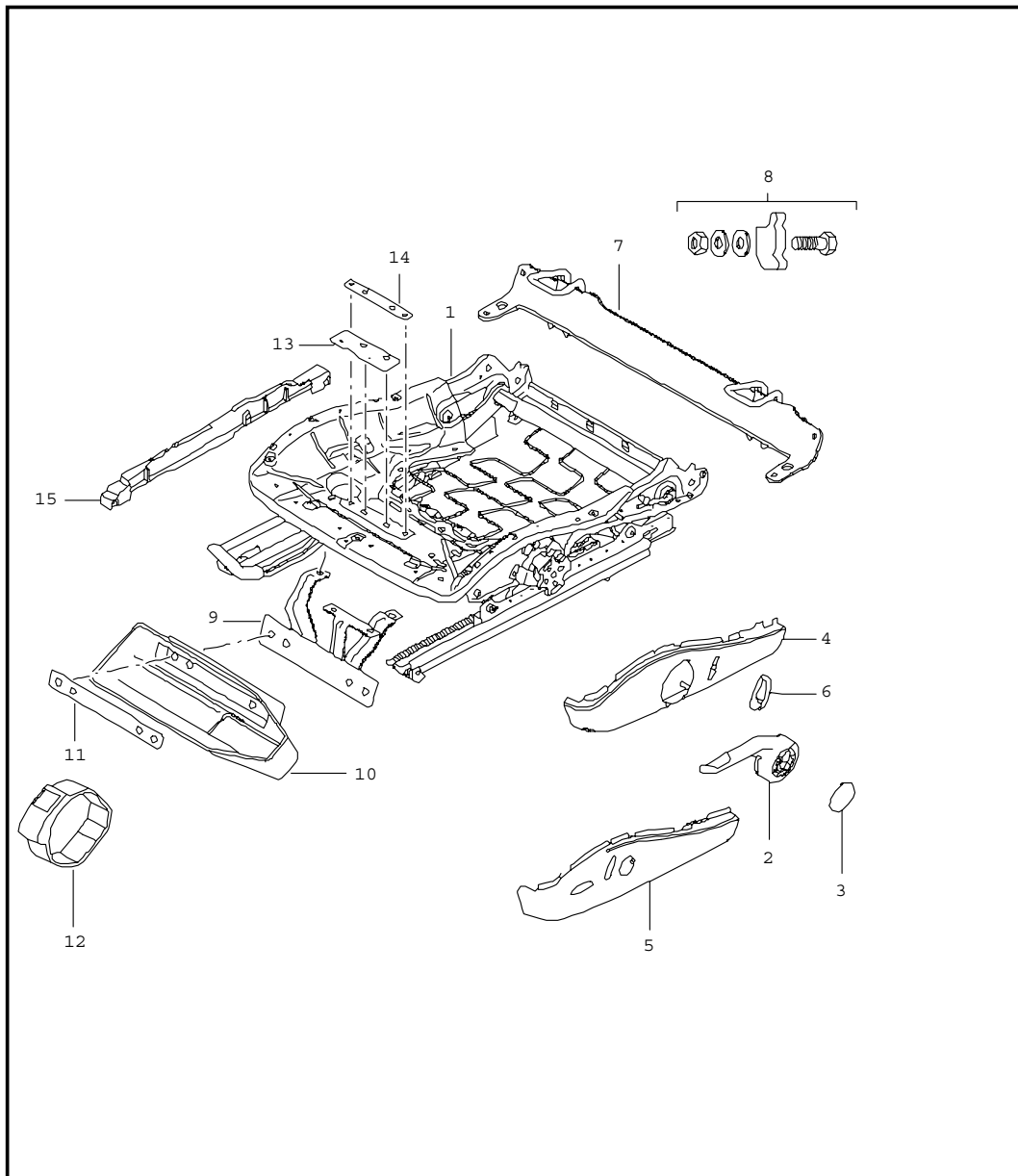
| Pos | Part Number | Name | Remarks | Qty | Model | Pos | Part Number | Name | Remarks | Qty | Model |
|------|----------------|---|---------|-----|-------|-----|-------------|------|---------|-----|-------|
| 14 | 997 521 335 01 | cover mounting component inner | /L | 1 | | | | | | | |
| | D07 | volcano grey | | | | | | | | | |
| (14) | 997 521 336 01 | cover mounting component inner | /R | 1 | | | | | | | |
| | D07 | volcano grey | | | | | | | | | |
| 15 | 999 073 375 09 | screw mount backrest seat adjuster | | 4 | | | | | | | |
| | | - - - E N D - - - | | | | | | | | | |

| | | | | | | | | | | | |
|-------|------|----|----|--------------|--------------|--------|-------|------------|---------|-----|---------|
| Model | Year | MG | SG | Illustration | Restrictions | Update | 10:07 | 30.08.2006 | PORSCHE | PET | PORSCHE |
| 997t | 07 | 8 | 17 | 817-43 | | 203 | | | | | |



| Pos | Part Number | Name | Remarks | Qty | Model |
|-------------------|----------------|--|---------|-----|----------------------|
| | | lumbar support sports seat | | | |
| 1 | 997 617 726 00 | valve lumbar support | | 1 | I537/538 |
| 2 | 997 620 725 00 | compressor lumbar | | 1 | |
| 3 | 997 521 709 01 | lumbar support backrest | | 1 | I377/378 I537/538 |
| 4 | 997 521 711 00 | container air distributor backrest side part | /L | 1 | I377/378 |
| 5 | 997 521 712 00 | container air distributor backrest side part | /R | 1 | |
| 6 | 997 620 727 00 | compressor adjustment cushion | | 1 | |
| 7 | 997 617 727 00 | valve adjustment seat wide | | 1 | |
| 8 | 997 521 713 01 | container air distributor cushion | | 1 | |
| - - - E N D - - - | | | | | |

| | | | | | | | | | | | |
|-------|------|----|----|--------------|--------------|--------|-------|------------|---------|-----|---------|
| Model | Year | MG | SG | Illustration | Restrictions | Update | 10:07 | 30.08.2006 | PORSCHE | PET | PORSCHE |
| 997t | 07 | 8 | 17 | 817-45 | | 203 | | | | | |

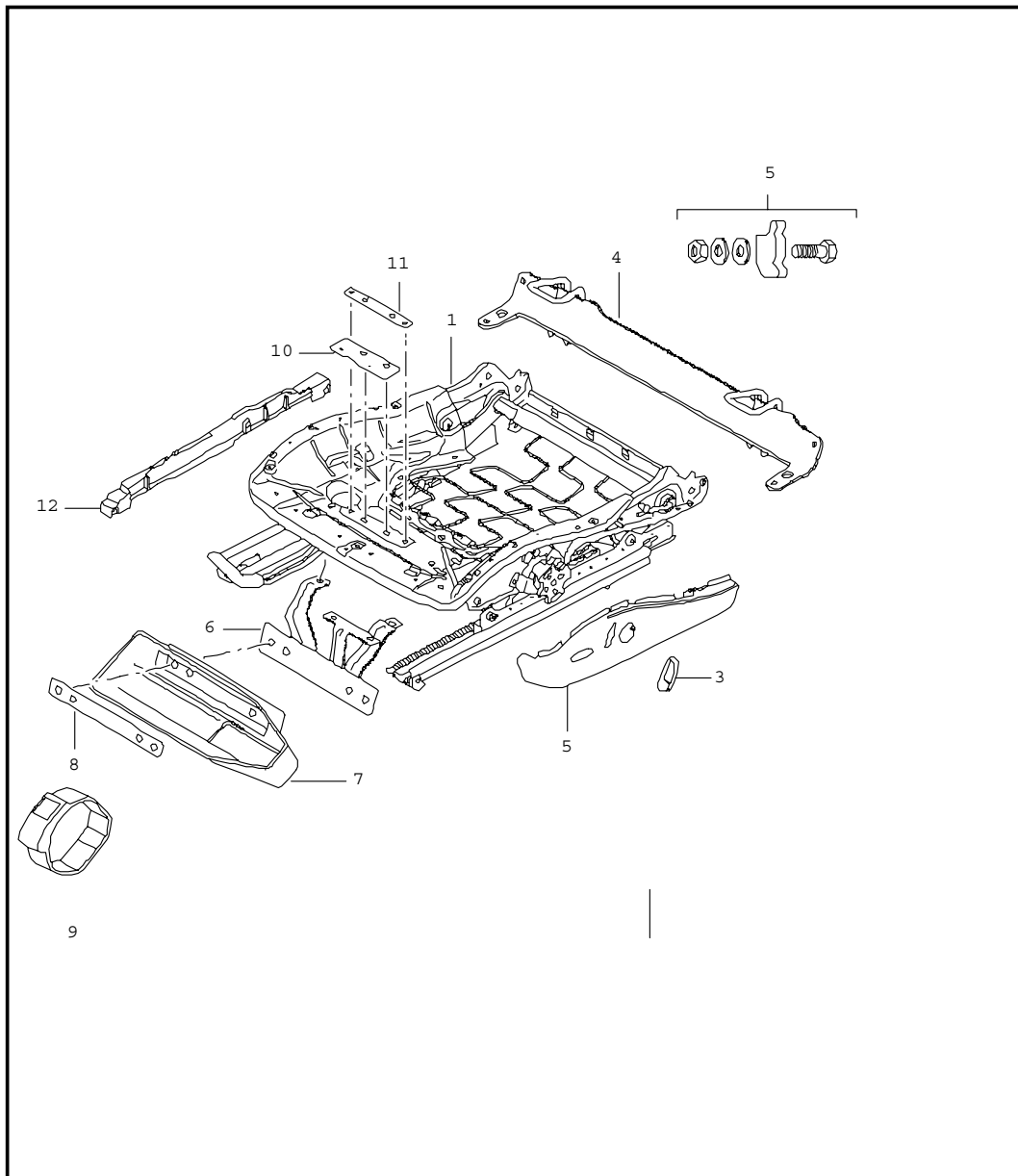


| Pos | Part Number | Name | Remarks | Qty | Model |
|-----|----------------|--|---------|-----|----------|
| 1 | 997 521 201 00 | seat adjuster sports seat manual | /LL/L | 1 | I098/375 |
| (1) | 997 521 202 00 | seat adjuster manual left-hand drive driver's side | /RL | 1 | I099/376 |
| (1) | 997 521 201 03 | seat adjuster manual right-hand drive passenger's side | /L | 1 | I099/375 |
| (1) | 997 521 202 05 | seat adjuster manual left-hand drive passenger's side | /R | 1 | I098/376 |
| (1) | 997 521 202 06 | seat adjuster manual seat occupancy detection | | 1 | I376/560 |
| (2) | 997 521 627 01 | actuating lever | /L | 1 | I375 |
| | | V05 galvano silver | | | |
| (2) | 997 521 628 01 | actuating lever height adjustment | /R | 1 | I376 |
| | | V05 galvano silver | | | |
| 3 | 997 521 629 01 | cap height adjustment | /L/R | 1 | |
| | | D07 volcano grey | | | |
| 4 | 997 521 325 06 | trim for switch | /L | 1 | I375 |
| | | D07 volcano grey | | | |
| (4) | 997 521 326 06 | trim for switch | /R | 1 | I376 |
| | | D07 volcano grey | | | |
| 5 | 997 521 325 08 | trim for switch elect. backrest adjustment | | 1 | I377 |
| | | D07 volcano grey | | | |
| (5) | 997 521 326 08 | trim for switch elect. backrest adjustment | | 1 | I378 |

| | | | | | | | | | | | |
|-------|------|----|----|--------------|--------------|--------|-------|------------|---------|-----|---------|
| Model | Year | MG | SG | Illustration | Restrictions | Update | 10:07 | 30.08.2006 | PORSCHE | PET | PORSCHE |
| 997t | 07 | 8 | 17 | 817-45 | | 203 | | | | | |

| Pos | Part Number | Name | Remarks | Qty | Model | Pos | Part Number | Name | Remarks | Qty | Model |
|------|----------------|---|---------|-----|--------------|-----|----------------|----------------------------------|---------|-----|-------|
| | D07 | volcano grey | | | | | 01C | satin black | | | |
| (5) | 997 521 326 09 | trim for switch advancedairbag | /R | 1 | I376/560 | 16 | 999 141 047 01 | torx screw mount seat rail | | 4 | |
| | D07 | volcano grey | | | | | | | | | |
| (5) | 997 521 326 11 | trim for switch advancedairbag | /R | 1 | I378/560 | | | - - - E N D - - - | | | |
| | D07 | volcano grey | | | | | | | | | |
| (6) | 997 521 631 01 | control button backrest | /L/R | 1 | | | | | | | |
| | V05 | galvano silver | | | | | | | | | |
| 7 | 997 521 061 01 | retaining bow child car seat not for Australien | | 1 | | | | | | | |
| 8 | 997 521 961 01 | set of fastening parts retaining bow child car seat | | 1 | | | | | | | |
| 9 | 997 521 251 00 | support fire extinguisher | | 1 | I098/509 | | | | | | |
| (9) | 997 521 252 00 | support fire extinguisher | | 1 | I099/509 | | | | | | |
| 10 | 997 521 607 00 | cup fire extinguisher | | 1 | I509 | | | | | | |
| 11 | 997 521 881 00 | support cup fire extinguisher | | 1 | I509 | | | | | | |
| 12 | 997 521 851 00 | restraining strap fire extinguisher | | 1 | I509 | | | | | | |
| 13 | 997 521 841 00 | reinforcement front | | 1 | I509 | | | | | | |
| 14 | 997 521 843 00 | reinforcement rear | | 1 | I509 | | | | | | |
| 15 | 997 521 427 01 | cover sensor weight | /L | 1 | I376/378/560 | | | | | | |
| | 01C | satin black | | | | | | | | | |
| (15) | 997 521 426 01 | cover sensor weight | /R | 1 | I376/378/560 | | | | | | |

| | | | | | | | | | | | |
|-------|------|----|----|--------------|--------------|--------|-------|------------|---------|-----|---------|
| Model | Year | MG | SG | Illustration | Restrictions | Update | 10:07 | 30.08.2006 | PORSCHE | PET | PORSCHE |
| 997t | 07 | 8 | 17 | 817-50 | | 203 | | | | | |

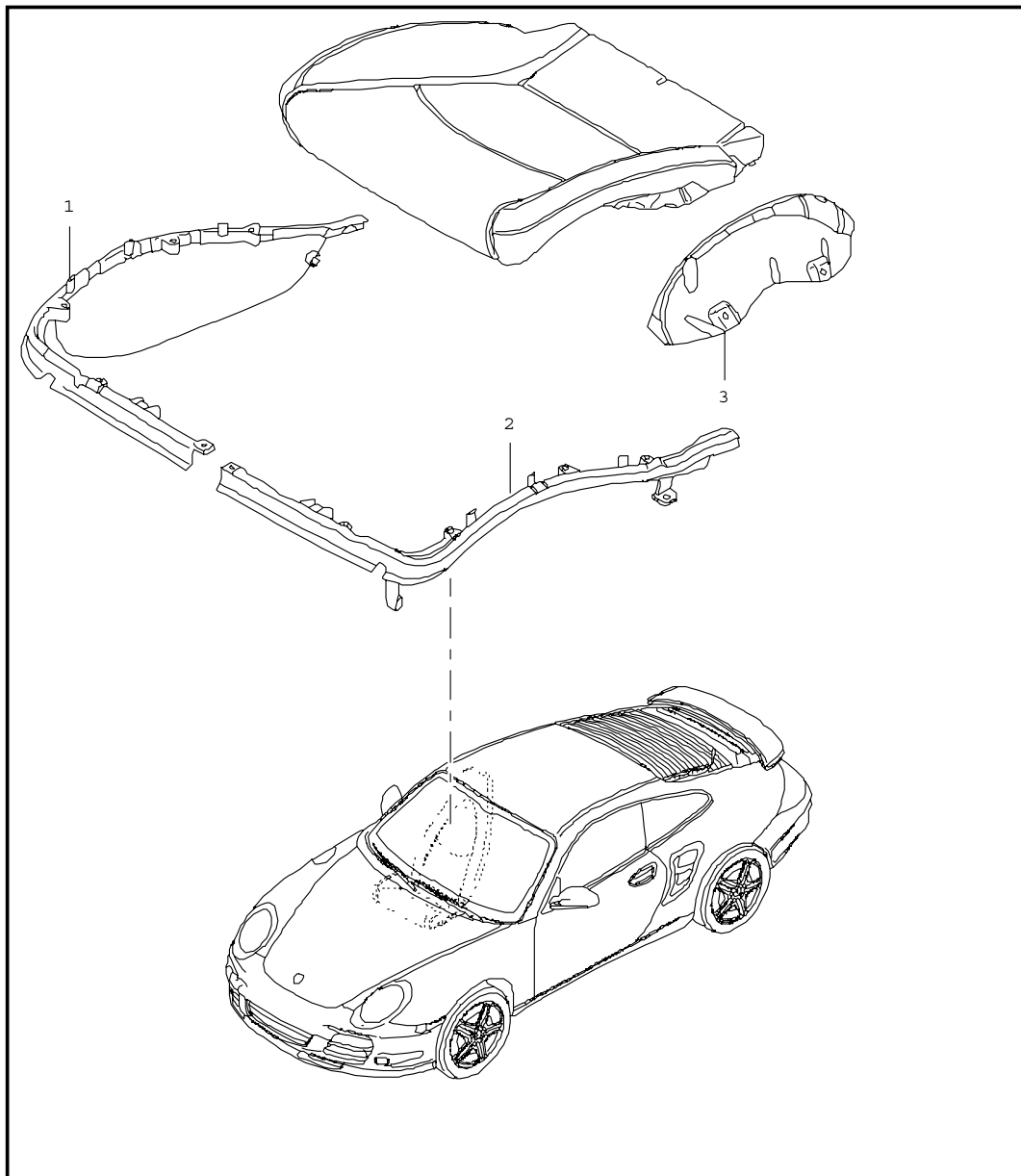


| Pos | Part Number | Name | Remarks | Qty | Model |
|-----|----------------|--|---------|-----|----------|
| | | seat adjuster sports seat elect. vertical adjustment | | | |
| 1 | 997 521 201 05 | seat adjuster with memory | /L | 1 | I377/537 |
| (1) | 997 521 202 10 | seat adjuster without memory | /R | 1 | I378 |
| (1) | 997 521 202 11 | seat adjuster with memory | /R | 1 | I378/538 |
| (1) | 997 521 202 12 | seat adjuster with advancedairbag | /R | 1 | I378/560 |
| 2 | 997 521 325 06 | trim for switch D07 volcano grey | /L | 1 | I375 |
| (2) | 997 521 326 06 | trim for switch D07 volcano grey | /R | 1 | I376 |
| (2) | 997 521 325 08 | trim for switch D07 volcano grey | /L | 1 | I377 |
| (2) | 997 521 326 08 | trim for switch D07 volcano grey | /R | 1 | I378 |
| (2) | 997 521 326 09 | trim for switch D07 volcano grey advancedairbag | | 1 | I376/560 |
| (2) | 997 521 326 11 | trim for switch D07 volcano grey advancedairbag | | 1 | I378/560 |
| 3 | 997 521 631 01 | control button backrest V05 galvano silver | | 1 | |
| 4 | 997 521 061 01 | retaining bow child car seat not for Australien | | 1 | |

| | | | | | | | | | | | |
|-------|------|----|----|--------------|--------------|--------|-------|------------|---------|-----|---------|
| Model | Year | MG | SG | Illustration | Restrictions | Update | 10:07 | 30.08.2006 | PORSCHE | PET | PORSCHE |
| 997t | 07 | 8 | 17 | 817-50 | | 203 | | | | | |

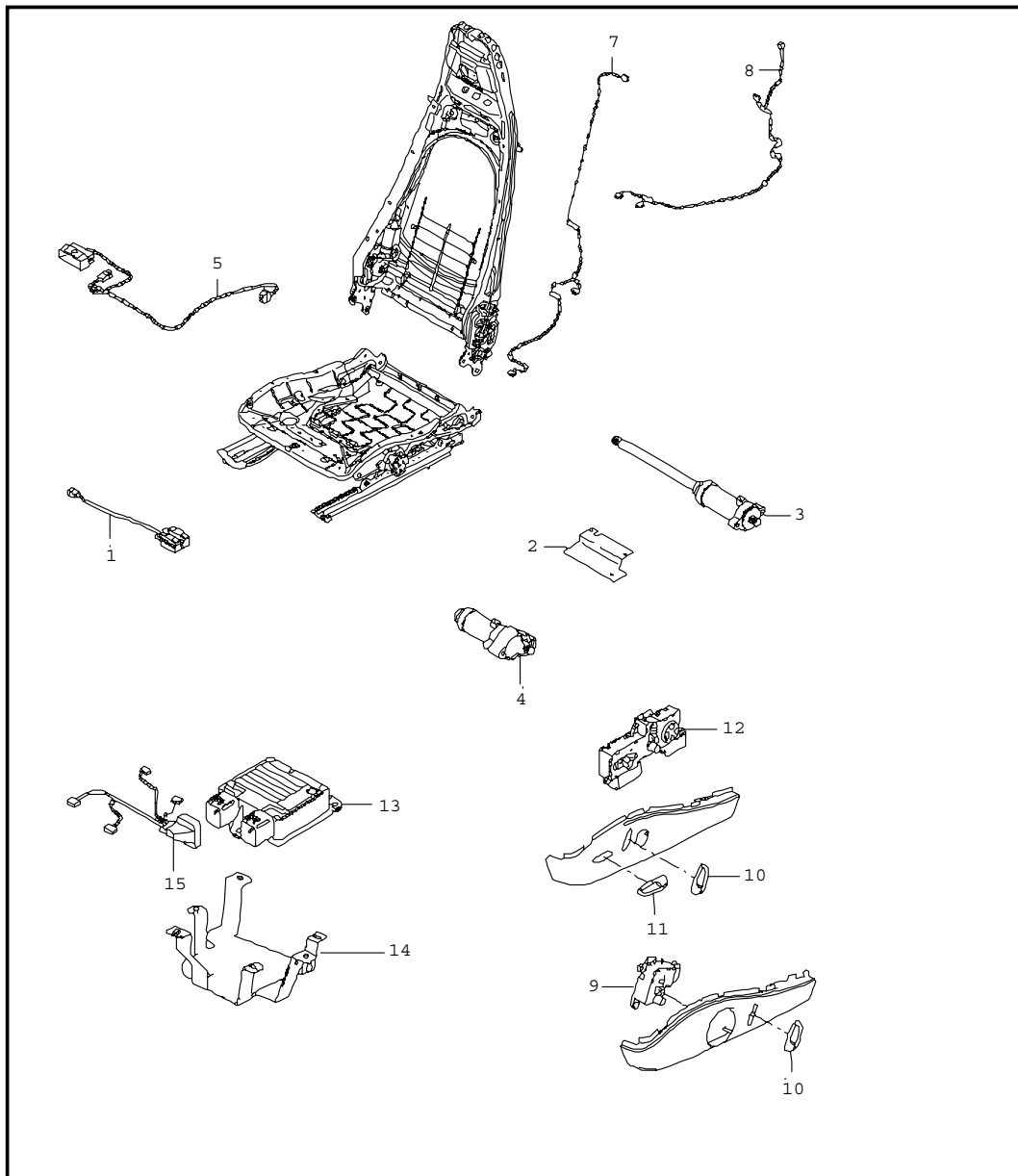
| Pos | Part Number | Name | Remarks | Qty | Model | Pos | Part Number | Name | Remarks | Qty | Model |
|------|----------------|---|---------|-----|--------------|-----|-------------|------|---------|-----|-------|
| 5 | 997 521 961 01 | set of fastening parts retaining bow child car seat | | 1 | | | | | | | |
| 6 | 997 521 251 00 | support fire extinguisher | | 1 | I098/509 | | | | | | |
| (6) | 997 521 252 00 | support fire extinguisher | | 1 | I099/509 | | | | | | |
| 7 | 997 521 607 00 | cup fire extinguisher | | 1 | I509 | | | | | | |
| 8 | 997 521 881 00 | support cup fire extinguisher | | 1 | I509 | | | | | | |
| 9 | 997 521 851 00 | restraining strap fire extinguisher | | 1 | I509 | | | | | | |
| 10 | 997 521 841 00 | reinforcement front | | 1 | I509 | | | | | | |
| 11 | 997 521 843 00 | reinforcement rear | | 1 | | | | | | | |
| 12 | 997 521 427 01 | cover | /L | 1 | I376/378/560 | | | | | | |
| | 01C | satin black | | | | | | | | | |
| (12) | 997 521 426 01 | cover sensor weight | /R | 1 | I376/378/560 | | | | | | |
| | 01C | satin black | | | | | | | | | |
| 13 | 999 141 047 01 | torx screw mount seat rail | | 4 | | | | | | | |
| | | - - - E N D - - - | | | | | | | | | |

| | | | | | | | | | | | |
|-------|------|----|----|--------------|--------------|--------|-------|------------|---------|-----|---------|
| Model | Year | MG | SG | Illustration | Restrictions | Update | 10:08 | 30.08.2006 | PORSCHE | PET | PORSCHE |
| 997t | 07 | 8 | 17 | 817-53 | | 203 | | | | | |



| Pos | Part Number | Name | Remarks | Qty | Model |
|-----|----------------|---|---------|-----|--------------|
| | | cushion carrier sports seat frame seat cushion | | | |
| 1 | 997 521 547 00 | frame inner left | /L | 1 | I376/378 |
| (1) | 997 521 548 00 | frame inner right | /R | 1 | I375/377 |
| 2 | 997 521 545 00 | frame outer left | /L | 1 | I375/377 |
| (2) | 997 521 546 00 | frame outer right | /R | 1 | I376/378 |
| (2) | 997 521 546 01 | frame outer advancedairbag | /R | 1 | I376/378/560 |
| 3 | 997 521 519 00 | supporting plate | /L | 1 | I377/378 |
| (3) | 997 521 520 00 | supporting plate seat cushion | /R | 1 | I377/378 |
| | | - - - E N D - - - | | | |

| | | | | | | | | | | | |
|-------|------|----|----|--------------|--------------|--------|-------|------------|---------|-----|---------|
| Model | Year | MG | SG | Illustration | Restrictions | Update | 10:08 | 30.08.2006 | PORSCHE | PET | PORSCHE |
| 997t | 07 | 8 | 17 | 817-60 | | 203 | | | | | |



| Pos | Part Number | Name | Remarks | Qty | Model |
|-----|----------------|--|---------|-----|----------------------|
| 1 | 997 613 725 00 | harnesses switch control units sports seat switch | | 1 | I377 |
| | V05 | galvano silver | | | |
| (1) | 997 613 726 00 | switch seat adjuster | | 1 | I378 |
| | V05 | galvano silver | | | |
| 2 | 997 521 343 00 | support electric motor | | 1 | I377/378 |
| 3 | 997 624 332 00 | electric motor seat adjuster lengthways height adjustment memory | | 1 | I537/538 |
| 4 | 997 624 333 00 | electric motor seat adjuster tilt memory | | 1 | I537/538 |
| 5 | 997 612 682 01 | wiring harness trim for switch | | 1 | I375/376 |
| 7 | 997 612 692 00 | wiring harness lumbar support memory | | 1 | I377/378 I537/538 |
| 8 | 997 612 685 01 | wiring harness backrest without memory | | 1 | I377 |
| (8) | 997 612 686 01 | wiring harness backrest without memory | | 1 | I378 |
| 9 | 997 613 713 00 | switch | /L | 1 | I375 |
| (9) | 997 613 714 00 | switch seat adjuster manually adjustable | /R | 1 | I376 |
| 10 | 997 521 631 01 | control button backrest | /L/R | 1 | I375/376 I377/378 |
| | V05 | galvano silver | | | |
| 11 | 997 521 633 02 | control button seat cushion | | 1 | I377/378 |

| | | | | | | | | | | | |
|-------|------|----|----|--------------|--------------|--------|-------|------------|---------|-----|---------|
| Model | Year | MG | SG | Illustration | Restrictions | Update | 10:08 | 30.08.2006 | PORSCHE | PET | PORSCHE |
| 997t | 07 | 8 | 17 | 817-60 | | 203 | | | | | |

| Pos | Part Number | Name | Remarks | Qty | Model | Pos | Part Number | Name | Remarks | Qty | Model |
|------|----------------|---|---------|-----|--------------|-----|-------------|------|---------|-----|-------|
| | V05 | galvano silver | | | | | | | | | |
| 12 | 997 613 717 01 | switch | | 1 | I377 | | | | | | |
| | V05 | galvano silver | | | | | | | | | |
| (12) | 997 613 718 01 | switch seat adjuster | | 1 | I378 | | | | | | |
| | V05 | galvano silver | | | | | | | | | |
| 13 | 997 618 233 05 | control unit seat occupancy detection | | 1 | I376/378/560 | | | | | | |
| 14 | 997 521 646 00 | support control unit seat occupancy detection | | 1 | I376/378/560 | | | | | | |
| 15 | 997 612 688 00 | wiring harness seat occupancy detection | | 1 | I376/378/560 | | | | | | |
| | | - - - E N D - - - | | | | | | | | | |

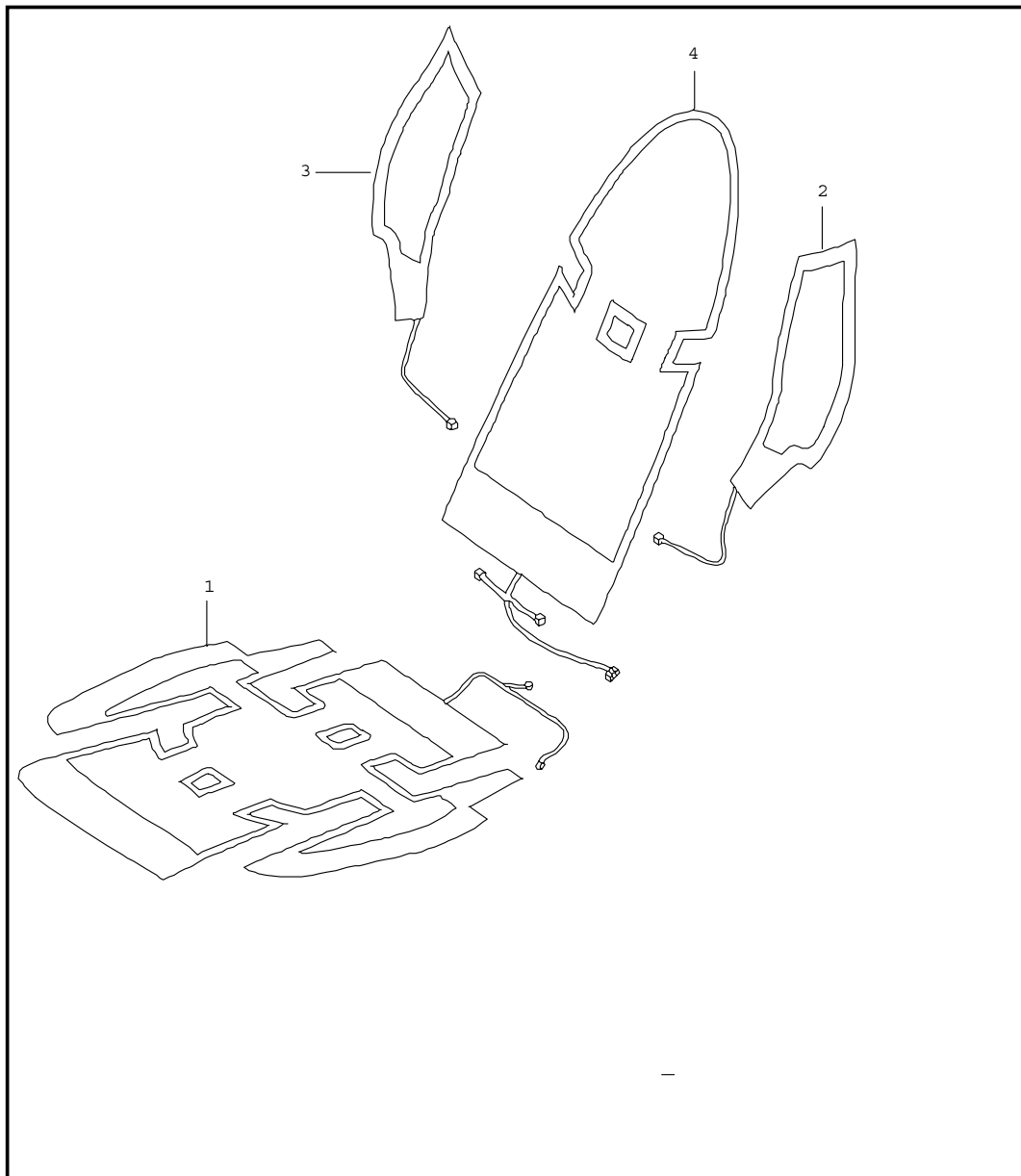
| | | | | | | | | | | | |
|-------|------|----|----|--------------|--------------|--------|-------|------------|---------|-----|---------|
| Model | Year | MG | SG | Illustration | Restrictions | Update | 10:08 | 30.08.2006 | PORSCHE | PET | PORSCHE |
| 997t | 07 | 8 | 17 | 817-65 | | 203 | | | | | |

| Pos | Part Number | Name | Remarks | Qty | Model |
|------|----------------|---|---------|-----|----------------------|
| 1 | 997 618 537 07 | harnesses switch control unit electric motor comfort seat control unit seating position control | | 1 | I537/538 |
| 2 | 997 521 643 00 | support control unit seating position control | | 1 | I437/438 I537/538 |
| (5) | 997 624 332 00 | electric motor seat adjuster lengthways height adjustment memory | | 1 | I537/538 |
| 7 | 997 624 333 00 | electric motor seat adjuster memory tilt | | 1 | I537/538 |
| 9 | 997 612 684 00 | wiring harness seat adjuster memory | | 1 | I537/538 |
| 10 | 997 612 690 00 | wiring harness lengthways height adjustment memory | | 1 | I537/538 |
| 14 | 997 612 687 00 | wiring harness lumbar backrest memory | | 1 | I437/438 I537/538 |
| 16 | 997 613 721 01 | switch seat adjuster memory switch | /L | 1 | I437/537 |
| (16) | 997 613 722 01 | V05 galvano silver switch seat adjuster memory switch | /R | 1 | I438/538 |
| 18 | 997 521 631 01 | V05 galvano silver control button | | 1 | I437/438 |
| 19 | 997 521 633 02 | V05 galvano silver control button | | 1 | I437/438 |

| | | | | | | | | | | | |
|-------|------|----|----|--------------|--------------|--------|-------|------------|---------|-----|---------|
| Model | Year | MG | SG | Illustration | Restrictions | Update | 10:08 | 30.08.2006 | PORSCHE | PET | PORSCHE |
| 997t | 07 | 8 | 17 | 817-65 | | 203 | | | | | |

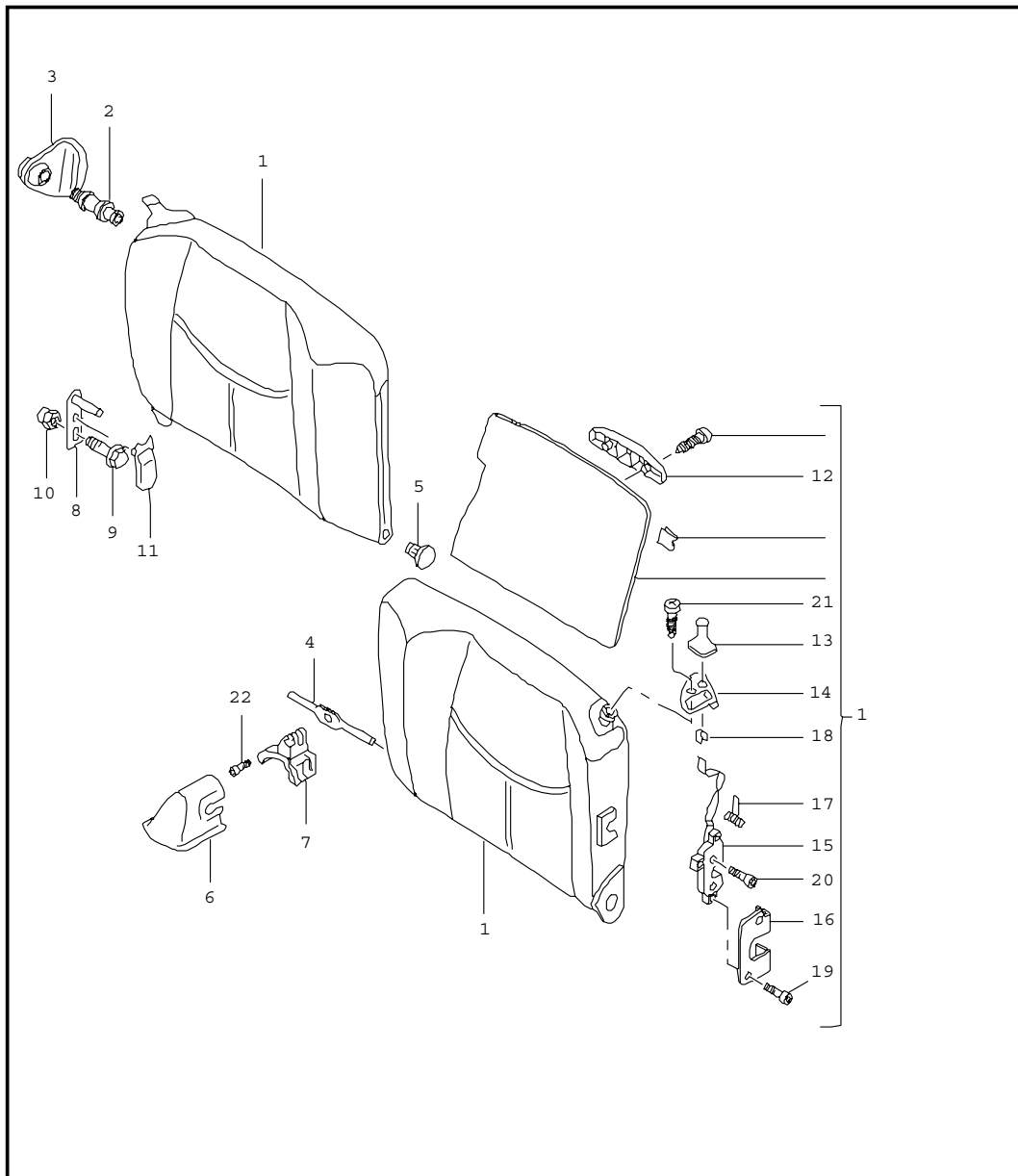
| Pos | Part Number | Name | Remarks | Qty | Model | Pos | Part Number | Name | Remarks | Qty | Model |
|------|----------------|---|---------|-----|----------|-----|-------------|------|---------|-----|-------|
| 20 | 997 613 717 01 | switch seat adjuster without memory | /L | 1 | I437 | | | | | | |
| | V05 | galvano silver | | | | | | | | | |
| (20) | 997 613 718 01 | switch seat adjuster without memory | /R | 1 | I438 | | | | | | |
| | V05 | galvano silver | | | | | | | | | |
| (21) | 997 618 233 05 | control unit seat occupancy detection | | 1 | I438/560 | | | | | | |
| (22) | 997 521 646 00 | support control unit seat occupancy detection | | 1 | I438/560 | | | | | | |
| 23 | 997 612 688 00 | wiring harness seat occupancy detection | | 1 | I438/560 | | | | | | |
| | | - - - E N D - - - | | | | | | | | | |

| | | | | | | | | | | | |
|-------|------|----|----|--------------|--------------|--------|-------|------------|---------|-----|---------|
| Model | Year | MG | SG | Illustration | Restrictions | Update | 10:08 | 30.08.2006 | PORSCHE | PET | PORSCHE |
| 997t | 07 | 8 | 17 | 817-67 | | 203 | | | | | |



| Pos | Part Number | Name | Remarks | Qty | Model |
|-----|----------------|---|---------|-----|----------|
| | | heating front seat comfort seat | | | |
| 1 | 997 653 105 02 | heating element seat cushion series seat comfort seat | /L/R | 2 | I437/438 |
| 2 | 997 653 109 00 | heating element backrest side part series seat comfort seat | /L | 1 | I437/438 |
| 3 | 997 653 110 00 | heating element backrest side part series seat comfort seat | /R | 1 | I437/438 |
| 4 | 997 653 107 00 | heating element backrest cushion | /L/R | 2 | I437/438 |
| | | - - - E N D - - - | | | |

| | | | | | | | | | | | |
|-------|------|----|----|--------------|--------------|--------|-------|------------|---------|-----|---------|
| Model | Year | MG | SG | Illustration | Restrictions | Update | 10:09 | 30.08.2006 | PORSCHE | PET | PORSCHE |
| 997t | 07 | 8 | 17 | 817-70 | | 203 | | | | | |



| Pos | Part Number | Name | Remarks | Qty | Model |
|-----|----------------|---|---------|-----|----------|
| 1 | 997 522 011 07 | back seat backrest 8YR black 5X5 stone grey 8G1 sand beige 3S8 sea blue 4P1 palmgreen 9N2 terracotta 9Q3 cocoa D11 dark grey/natural T11 brown/natural | /L | 1 | I685/936 |
| (1) | 997 522 012 07 | back seat backrest 8YR black 5X5 stone grey 8G1 sand beige 3S8 sea blue 4P1 palmgreen 9N2 terracotta 9Q3 cocoa D11 dark grey/natural T11 brown/natural | /R | 1 | I685/936 |
| (1) | 997 522 011 08 | back seat backrest 8YR black 5X5 stone grey 8G1 sand beige 3S8 sea blue 4P1 palmgreen 9N2 terracotta 9Q3 cocoa | /L | 1 | I685/939 |

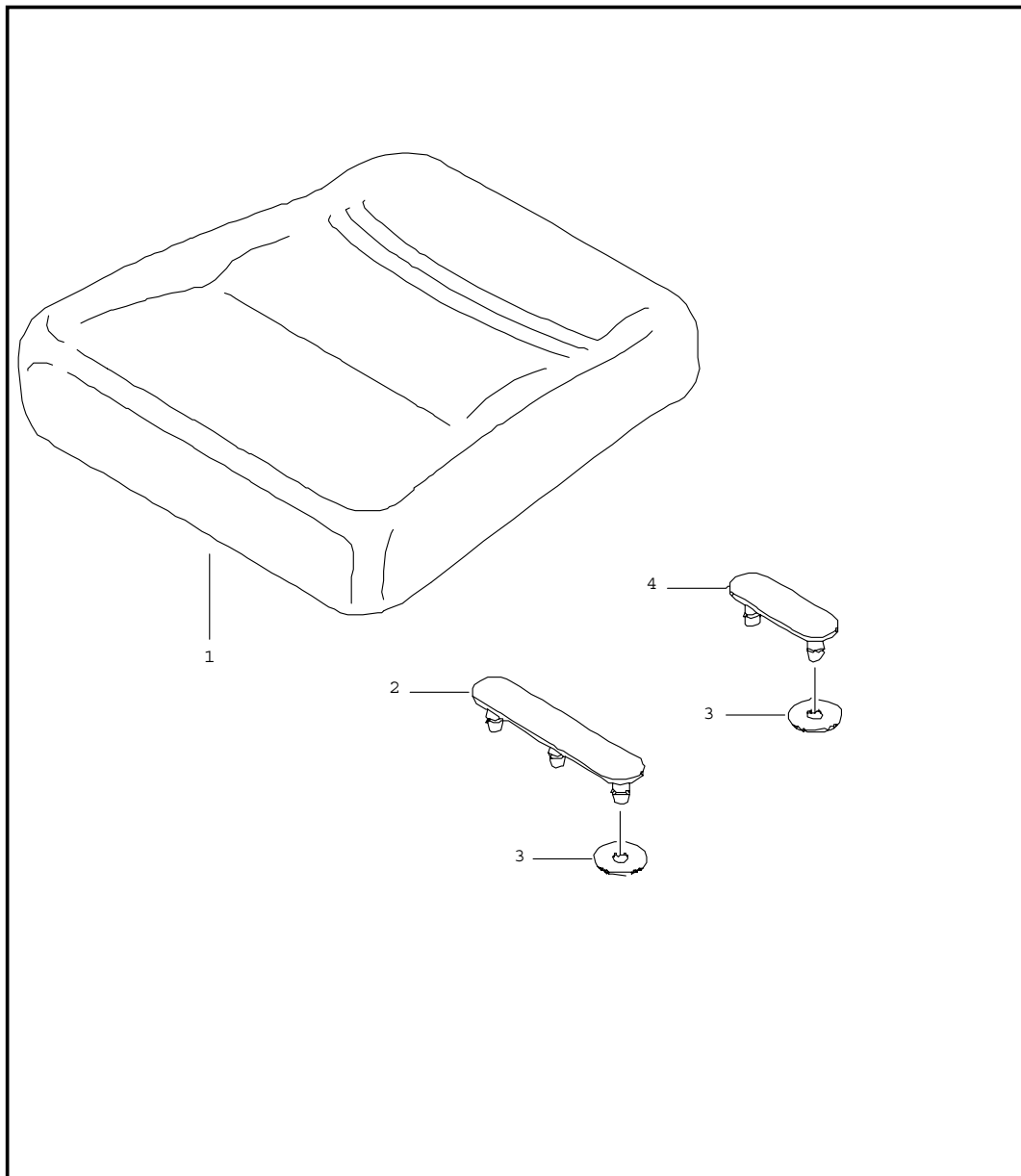
| | | | | | | | | | | | |
|-------|------|----|----|--------------|--------------|--------|-------|------------|---------|-----|---------|
| Model | Year | MG | SG | Illustration | Restrictions | Update | 10:09 | 30.08.2006 | PORSCHE | PET | PORSCHE |
| 997t | 07 | 8 | 17 | 817-70 | | 203 | | | | | |

| Pos | Part Number | Name | Remarks | Qty | Model | Pos | Part Number | Name | Remarks | Qty | Model |
|-----|----------------|-----------------------|---------|-----|----------|------|----------------|---------------------------------|---------|-----|-------|
| | | D11 dark grey/natural | | | | 12 | 996 522 421 00 | stop backrest | | 2 | I685 |
| | | T11 brown/natural | | | | | 01C | satin black | | | |
| (1) | 997 522 012 08 | back seat backrest | /R | 1 | I685/939 | 13 | 997 522 321 00 | actuating lever backrest | /L | 1 | I685 |
| | | 8YR black | | | | | 01C | satin black | | | |
| | | 5X5 stone grey | | | | (13) | 997 522 322 00 | actuating lever backrest | /R | 1 | I685 |
| | | 8G1 sand beige | | | | | 01C | satin black | | | |
| | | 3S8 sea blue | | | | 14 | 996 522 315 00 | rose control button | /L | 1 | I685 |
| | | 4P1 palmgreen | | | | | 01C | satin black | | | |
| | | 9N2 terracotta | | | | (14) | 996 522 316 00 | rose control button | /R | 1 | I685 |
| | | 9Q3 cocoa | | | | | 01C | satin black | | | |
| | | D11 dark grey/natural | | | | | 01C | satin black | | | |
| | | T11 brown/natural | | | | 15 | 996 522 281 02 | lock | /L | 1 | |
| 2 | 996 522 267 06 | bolt locking device | /L/R | 2 | I685 | (15) | 996 522 282 02 | lock backrest | /R | 1 | |
| 3 | 997 522 095 00 | stop | /L | 1 | I685 | 16 | 997 522 771 00 | cover lock | /L | 1 | |
| | | 01C satin black | | | | | 01C | satin black | | | |
| (3) | 997 522 096 00 | stop | /R | 1 | I685 | (16) | 997 522 772 00 | cover lock | /R | 1 | |
| | | 01C satin black | | | | | 01C | satin black | | | |
| 4 | 996 522 615 01 | shaft | | 1 | I685 | 17 | 996 522 653 00 | spring lock | | 2 | |
| 5 | 996 522 571 00 | protection washer | | 1 | I685 | 18 | 999 507 630 01 | clamp control button | | 2 | |
| | | 01C satin black | | | | 19 | 999 073 049 02 | tapping screw ST 3,5 X 16 | | 4 | I685 |
| 6 | 996 522 431 02 | cover | | 1 | I685 | 20 | 900 269 028 02 | countersunk-head screw M 8 X 30 | | 4 | I685 |
| | | 01C satin black | | | | 21 | 900 145 041 07 | tapping screw B 3,5 X 16 | | 4 | I685 |
| 7 | 996 522 333 00 | bracket | | 1 | I685 | 22 | 900 067 358 09 | screw M 5 X 16 | | 1 | I685 |
| 8 | 996 522 211 01 | bearing outer | | 2 | I685 | | | | | | |
| 9 | 999 073 138 09 | screw M 8 X 25 | | 2 | | | | | | | |
| 10 | 996 522 271 00 | bush | | 2 | I685 | | | | | | |
| 11 | 996 522 425 01 | cover | | 1 | I685 | | | | | | |
| | | 01C satin black | | | | | | | | | |

| | | | | | | | | | | | | |
|-------|------|----|----|--------------|--------------|--------|-------|------------|---------|-----|---------|--|
| Model | Year | MG | SG | Illustration | Restrictions | Update | | | | | | |
| 997t | 07 | 8 | 17 | 817-70 | | 203 | 10:09 | 30.08.2006 | PORSCHE | PET | PORSCHE | |

| Pos | Part Number | Name | Remarks | Qty | Model | Pos | Part Number | Name | Remarks | Qty | Model |
|-----|-------------|-------------------|---------|-----|-------|-----|-------------|------|---------|-----|-------|
| | | - - - E N D - - - | | | | | | | | | |

| | | | | | | | | | | | |
|-------|------|----|----|--------------|--------------|--------|-------|------------|---------|-----|---------|
| Model | Year | MG | SG | Illustration | Restrictions | Update | 10:09 | 30.08.2006 | PORSCHE | PET | PORSCHE |
| 997t | 07 | 8 | 17 | 817-80 | | 203 | | | | | |

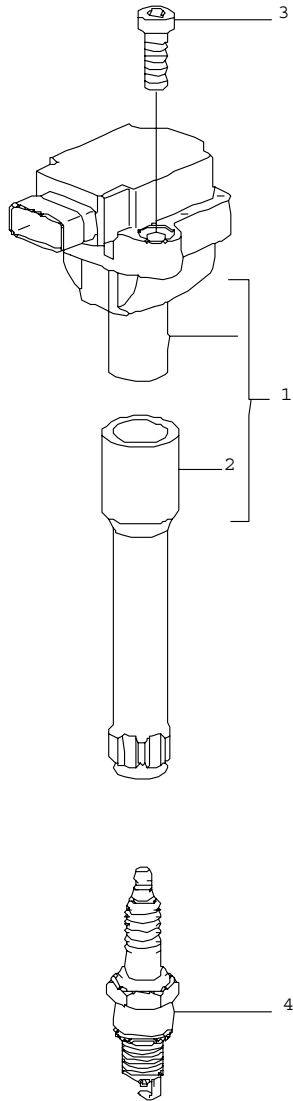


| Pos | Part Number | Name | Remarks | Qty | Model |
|-----|----------------|-------------------|---------|-----|----------|
| (1) | 997 522 051 01 | back seat cushion | /L | 1 | I685/936 |
| | 8YR | black | | | |
| | 5X5 | stone grey | | | |
| | 8G1 | sand beige | | | |
| | 3S8 | sea blue | | | |
| | 4P1 | palmgreen | | | |
| | 9N2 | terracotta | | | |
| | 9Q3 | cocoa | | | |
| | D11 | dark grey/natural | | | |
| | T11 | brown/natural | | | |
| (1) | 997 522 052 01 | back seat cushion | /R | 1 | I685/936 |
| | 8YR | black | | | |
| | 5X5 | stone grey | | | |
| | 8G1 | sand beige | | | |
| | 3S8 | sea blue | | | |
| | 4P1 | palmgreen | | | |
| | 9N2 | terracotta | | | |
| | 9Q3 | cocoa | | | |
| | D11 | dark grey/natural | | | |
| | T11 | brown/natural | | | |
| (1) | 997 522 051 02 | back seat cushion | /L | 1 | I685/939 |
| | 8YR | black | | | |
| | 5X5 | stone grey | | | |
| | 8G1 | sand beige | | | |
| | 3S8 | sea blue | | | |
| | 4P1 | palmgreen | | | |
| | 9N2 | terracotta | | | |
| | 9Q3 | cocoa | | | |

| | | | | | | | | | | | |
|-------|------|----|----|--------------|--------------|--------|-------|------------|---------|-----|---------|
| Model | Year | MG | SG | Illustration | Restrictions | Update | 10:09 | 30.08.2006 | PORSCHE | PET | PORSCHE |
| 997t | 07 | 8 | 17 | 817-80 | | 203 | | | | | |

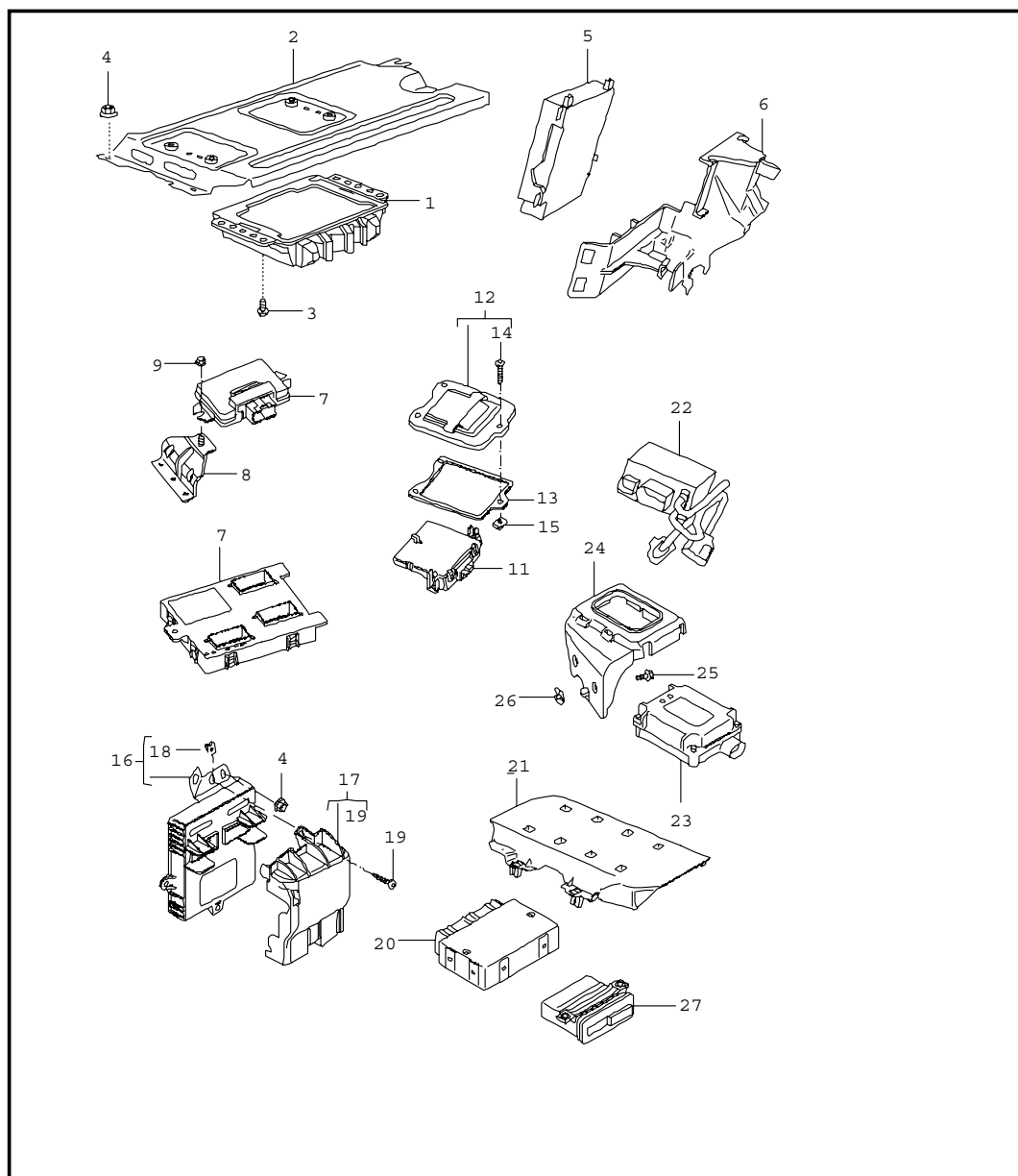
| Pos | Part Number | Name | Remarks | Qty | Model | Pos | Part Number | Name | Remarks | Qty | Model |
|-----|----------------|-----------------------|---------|-----|----------|-----|-------------|------|---------|-----|-------|
| | | D11 dark grey/natural | | | | | | | | | |
| | | T11 brown/natural | | | | | | | | | |
| (1) | 997 522 052 02 | back seat cushion | /R | 1 | I685/939 | | | | | | |
| | | 8YR black | | | | | | | | | |
| | | 5X5 stone grey | | | | | | | | | |
| | | 8G1 sand beige | | | | | | | | | |
| | | 3S8 sea blue | | | | | | | | | |
| | | 4P1 palmgreen | | | | | | | | | |
| | | 9N2 terracotta | | | | | | | | | |
| | | 9Q3 cocoa | | | | | | | | | |
| | | D11 dark grey/natural | | | | | | | | | |
| | | T11 brown/natural | | | | | | | | | |
| 2 | 997 551 893 00 | clip triple | | X | I685 | | | | | | |
| (3) | 997 551 897 00 | lock washer | | X | I685 | | | | | | |
| 4 | 997 551 895 00 | clip double | | X | I685 | | | | | | |
| | | - - - E N D - - - | | | | | | | | | |

| | | | | | | | | | | | |
|-------|------|----|----|--------------|--------------|--------|-------|------------|---------|-----|---------|
| Model | Year | MG | SG | Illustration | Restrictions | Update | 10:09 | 30.08.2006 | PORSCHE | PET | PORSCHE |
| 997t | 07 | 9 | 01 | 901-00 | | 203 | | | | | |



| Pos | Part Number | Name | Remarks | Qty | Model |
|-----|----------------|----------------------------|---------|-----|---------|
| | | ignition system | | | |
| 1 | 996 602 104 00 | ignition coil | | 6 | |
| 2 | 996 602 105 00 | spark plug socket | | 6 | |
| 3 | 900 387 008 01 | pan-head screw M 6 X 25 | | 12 | |
| 4 | 999 170 103 90 | spark plug FR6 DPP332 | | 6 | M 97.70 |
| | | - - - E N D - - - | | | |

| | | | | | | | | | | | |
|-------|------|----|----|--------------|--------------|--------|-------|------------|---------|-----|---------|
| Model | Year | MG | SG | Illustration | Restrictions | Update | 10:09 | 30.08.2006 | PORSCHE | PET | PORSCHE |
| 997t | 07 | 9 | 01 | 901-03 | | 203 | | | | | |



| Pos | Part Number | Name | Remarks | Qty | Model |
|-----|----------------|---|---------|-----|-------|
| | | control units | | | |
| 1 | 997 618 602 00 | control unit - dme - | | 1 | |
| 2 | 996 618 129 01 | support control unit - dme - | | 1 | |
| 3 | 999 073 189 01 | round head screw M 6 X 12 | | 4 | |
| 4 | 999 084 629 09 | hexagon nut M 6 | | 3 | |
| 5 | 997 618 180 12 | control unit tiptronic | | 1 | I249 |
| 6 | 996 618 257 01 | support control unit tiptronic | | 1 | I249 |
| 7 | 997 618 195 04 | control unit all-wheel | | 1 | |
| 8 | 997 618 117 00 | support control unit all-wheel | | 2 | |
| 9 | 900 377 010 02 | hexagon nut M 6 | | 2 | |
| 10 | 997 610 102 06 | control unit vehicle electrical system | | 1 | |
| 11 | 997 610 107 03 | control unit gateway | | 1 | |
| 12 | 997 572 419 02 | cover | | 1 | |
| 13 | 997 572 221 00 | gasket | | 1 | |
| 14 | 900 143 094 09 | tapping screw ST 4,8 X 19 | | 3 | |
| 15 | 999 591 855 02 | speed nut ST 4,8 | | 3 | |
| 16 | 997 610 104 11 | control unit front trunk | | 1 | |
| 17 | 997 551 736 01 | cover | | 1 | |
| 18 | 999 507 462 09 | speed nut 4,8 | | 1 | |
| 19 | 999 073 061 02 | tapping screw 4,8 X 16 | | 1 | |

| | | | | | | | | | | | |
|-------|------|----|----|--------------|--------------|--------|-------|------------|---------|-----|---------|
| Model | Year | MG | SG | Illustration | Restrictions | Update | 10:09 | 30.08.2006 | PORSCHE | PET | PORSCHE |
| 997t | 07 | 9 | 01 | 901-03 | | 203 | | | | | |

| Pos | Part Number | Name | Remarks | Qty | Model | Pos | Part Number | Name | Remarks | Qty | Model |
|-----|----------------|---|---------|-----|-------|-----|-------------|------|---------|-----|-------|
| 20 | 997 618 260 06 | control unit rear end | | 1 | | | | | | | |
| 21 | 997 618 371 01 | support | | 1 | | | | | | | |
| 22 | 997 618 436 01 | control unit cooling air control | | 1 | | | | | | | |
| 23 | 997 618 225 02 | control unit garage door opener | | 1 | I608 | | | | | | |
| 23 | 997 618 227 01 | control unit garage door opener | | 1 | I607 | | | | | | |
| 24 | 997 618 257 00 | support control unit garage door opener | | 1 | | | | | | | |
| 25 | 900 075 466 09 | screw M 6 X 16 | | 2 | | | | | | | |
| 26 | 999 591 882 02 | speed nut M 6 | | 2 | | | | | | | |
| 27 | 996 618 171 03 | control unit park distance control | | 1 | I635 | | | | | | |
| | | sensor see group 8/02/05 | | | I635 | | | | | | |
| | | - - - E N D - - - | | | | | | | | | |

| | | | | | | | | | | | |
|-------|------|----|----|--------------|--------------|--------|-------|------------|---------|-----|---------|
| Model | Year | MG | SG | Illustration | Restrictions | Update | 10:09 | 30.08.2006 | PORSCHE | PET | PORSCHE |
| 997t | 07 | 9 | 01 | 901-04 | | 203 | | | | | |

| Pos | Part Number | Name | Remarks | Qty | Model |
|-----|----------------|---|---------|-----|----------|
| | | control units ignition starter switch PORSCHE ACCES SYSTEM | | | |
| 1 | 997 618 159 03 | control unit ignition starter switch | | 1 | |
| 2 | 997 618 759 00 | nut | | 1 | |
| - | 997 618 361 00 | cover release remote control | | 1 | |
| 4 | 997 618 761 00 | emergency operation release ignition starter switch | | 1 | |
| 5 | 997 618 171 12 | control unit PORSCHE ACCESS SYSTEM information available | | 1 | I534 |
| 5 | 997 618 172 12 | control unit PORSCHE ACCESS SYSTEM information available | | 1 | I535 |
| - | 997 612 053 00 | connecting line antenna booster control unit POS. 5 | /LL | 1 | I098/534 |
| - | 997 612 053 01 | connecting line antenna booster control unit POS. 5 | /LL | 1 | I098/535 |
| - | 997 612 054 00 | connecting line antenna booster control unit POS. 5 information available | /RL | 1 | I099/534 |
| - | 997 612 054 01 | connecting line antenna booster control unit POS. 5 information available | /RL | 1 | I099/535 |
| 7 | 997 637 244 46 | remote control | | 1 | I534 |
| 7 | 997 637 244 47 | remote control | | 1 | I535 |
| 7 | 997 637 244 48 | remote control | | 1 | (J) I535 |
| 8 | 999 611 108 00 | battery | | 1 | |
| 11 | 997 618 210 01 | sensor interior monitoring | | 1 | |

| | | | | | | | | | | | |
|-------|------|----|----|--------------|--------------|--------|-------|------------|---------|-----|---------|
| Model | Year | MG | SG | Illustration | Restrictions | Update | | | | | |
| 997t | 07 | 9 | 01 | 901-04 | | 203 | 10:09 | 30.08.2006 | PORSCHE | PET | PORSCHE |

| Pos | Part Number | Name | Remarks | Qty | Model | Pos | Part Number | Name | Remarks | Qty | Model |
|-----|-------------|---|---------|-----|--------------|-----|-------------|------|---------|-----|-------|
| | | alarm siren tilt sensor see group 9/03/00 - - - E N D - - - | | | I536 I536 | | | | | | |

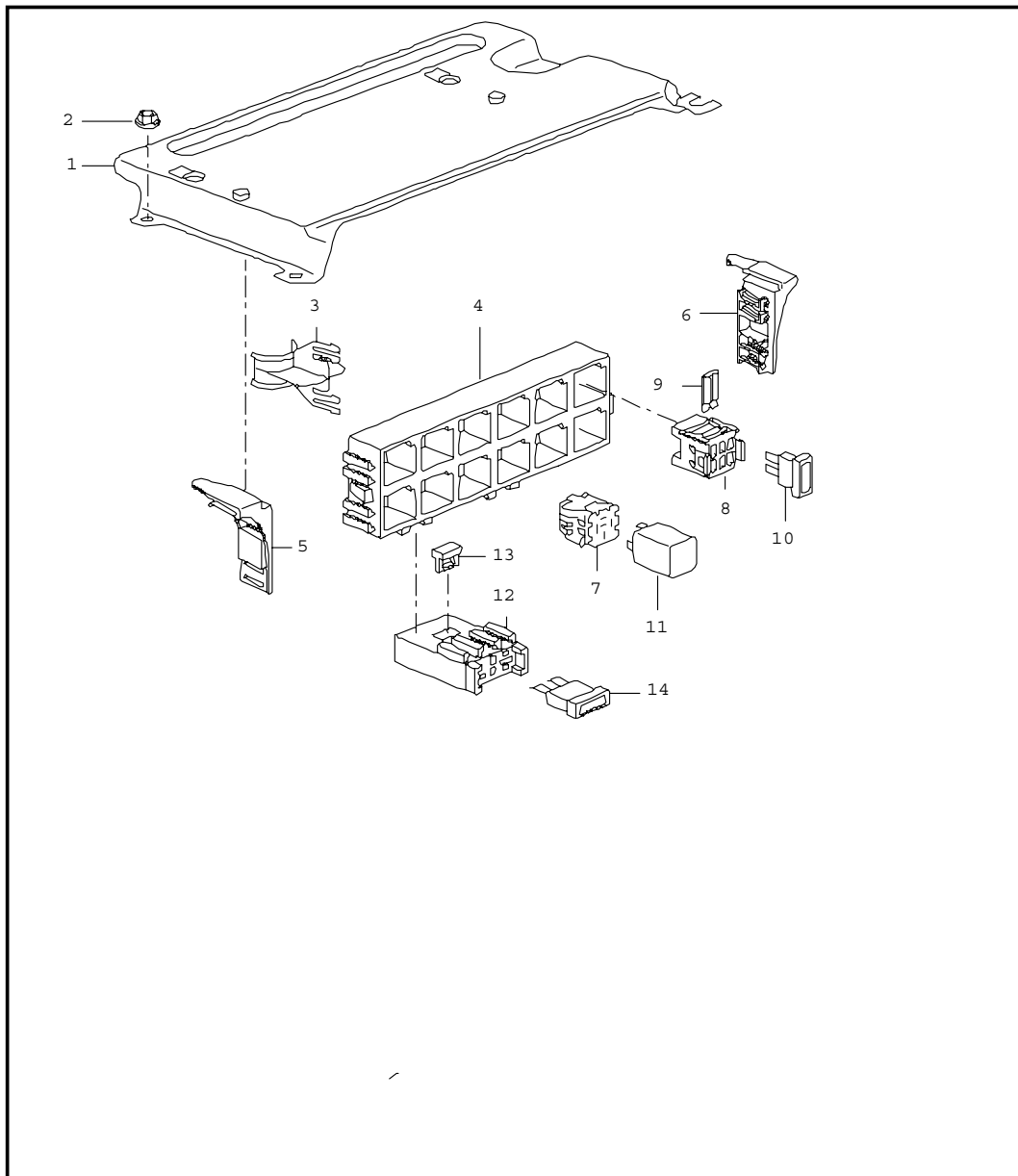
| | | | | | | | | | | | |
|-------|------|----|----|--------------|--------------|--------|-------|------------|---------|-----|---------|
| Model | Year | MG | SG | Illustration | Restrictions | Update | 10:10 | 30.08.2006 | PORSCHE | PET | PORSCHE |
| 997t | 07 | 9 | 02 | 902-00 | | 203 | | | | | |

| Pos | Part Number | Name | Remarks | Qty | Model |
|------|----------------|-------------------------------------|---------|-----|-------|
| | | central electrical system dashboard | | | |
| 1 | 997 610 117 01 | support | /LL | 1 | I098 |
| (1) | 997 610 118 00 | support | /RL | 1 | I099 |
| 2 | 997 610 110 01 | relay carrier support frame | | 1 | |
| 3 | 997 610 112 00 | cover support frame | | 1 | |
| 4 | 900 378 155 09 | hexagon-head bolt M 6 X 16 ASP | | 2 | |
| (4) | 900 377 010 09 | hexagon nut M 6 | | 1 | |
| 5 | 928 610 511 00 | relay carrier | | X | |
| 6 | 999 650 538 40 | relay carrier | | X | |
| 7 | - | relay | | | |
| S 4 | 999 657 010 90 | relay KL. X | | 1 | |
| S 6 | 999 657 007 90 | relay KL. 86S | | 1 | |
| S 7 | 999 657 007 90 | relay fuel pump | | 1 | |
| S 8 | 999 657 007 90 | relay fuel pump | | 1 | |
| S 11 | 999 657 009 90 | relay - dme - | | 1 | |
| S 12 | 999 657 009 90 | relay heating | | 1 | |
| S 14 | 999 657 009 90 | relay headlight washer system | | 1 | I288 |
| S 15 | 999 657 009 90 | relay starter | | 1 | |
| S 16 | 999 657 009 90 | relay KL. 15 | | 1 | |
| 8 | 997 610 340 00 | bracket | | 1 | |
| 9 | 997 610 341 00 | cover | | 1 | |
| 10 | 999 650 209 40 | fuse holder | | 4 | |

| | | | | | | | | | | | |
|-------|------|----|----|--------------|--------------|--------|-------|------------|---------|-----|---------|
| Model | Year | MG | SG | Illustration | Restrictions | Update | 10:10 | 30.08.2006 | PORSCHE | PET | PORSCHE |
| 997t | 07 | 9 | 02 | 902-00 | | 203 | | | | | |

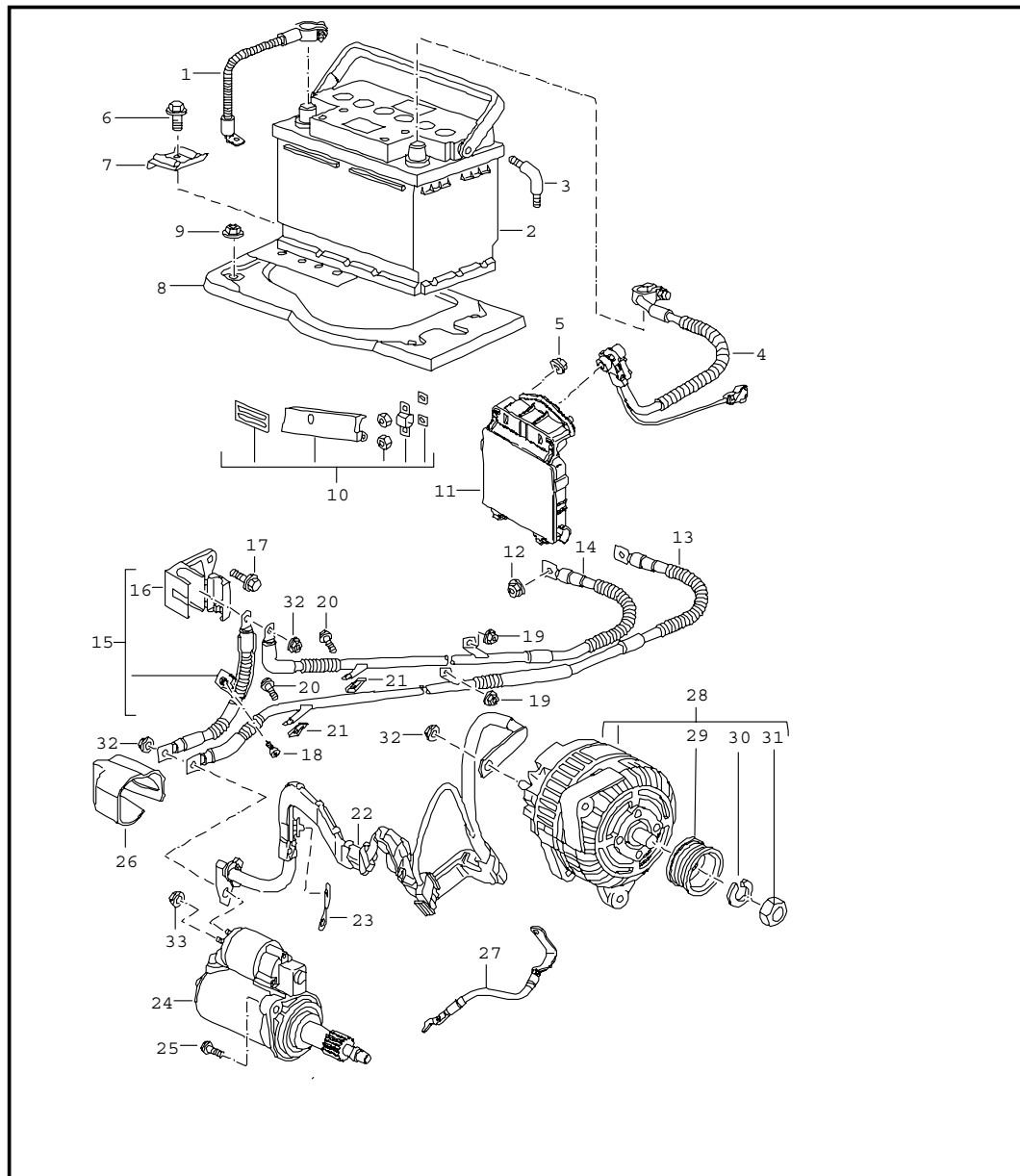
| Pos | Part Number | Name | Remarks | Qty | Model | Pos | Part Number | Name | Remarks | Qty | Model |
|------|----------------|-------------------------|---------|-----|-------|-----|-------------|-------------------|---------|-----|-------|
| 11 | 999 650 210 40 | slide | | 4 | | - | - | cover | | X | |
| 12 | 999 650 750 40 | fuse holder | | 1 | | | | for | | | |
| 13 | 999 650 749 40 | slide | | 1 | | | | housing | | | |
| 14 | 999 607 082 00 | fuse | | X | | | | fuse | | | |
| | | 5 A | | | | | | see group | | | |
| (14) | 999 607 083 00 | fuse | | X | | | | 8 / 07 / 02 | | | |
| | | 7 , 5 A | | | | | | - - - E N D - - - | | | |
| (14) | 999 607 084 00 | fuse | | X | | | | | | | |
| | | 10 A | | | | | | | | | |
| (14) | 999 607 085 00 | fuse | | X | | | | | | | |
| | | 15 A | | | | | | | | | |
| (14) | 999 607 087 00 | fuse | | X | | | | | | | |
| | | 25 A | | | | | | | | | |
| (14) | 999 607 088 00 | fuse | | X | | | | | | | |
| | | 30 A | | | | | | | | | |
| (14) | 999 607 072 00 | fuse | | X | | | | | | | |
| | | 30 A | | | | | | | | | |
| | | large | | | | | | | | | |
| (14) | 999 607 073 00 | fuse | | X | | | | | | | |
| | | 40 A | | | | | | | | | |
| | | large | | | | | | | | | |
| 15 | 999 107 300 40 | tool | | X | | | | | | | |
| - N | 997 610 195 07 | indication sticker | | X | | | | | | | |
| | | fuse | | | | | | | | | |
| 16 | 997 618 761 00 | emergency operation | | 1 | | | | | | | |
| | | release | | | | | | | | | |
| | | ignition starter switch | | | | | | | | | |
| | | emergency operation | | | | | | | | | |
| | | cover | | | | | | | | | |
| 17 | 996 610 240 00 | terminal clamp | | 1 | | | | | | | |
| 18 | 999 657 010 90 | relay | | 1 | | | | | | | |
| 19 | 997 610 915 00 | fuse holder | | 1 | | | | | | | |
| | | with | | | | | | | | | |
| | | fuse | | | | | | | | | |
| | | 80 A | | | | | | | | | |
| | | for | | | | | | | | | |
| | | cooling air control | | | | | | | | | |

| | | | | | | | | | | | |
|-------|------|----|----|--------------|--------------|--------|-------|------------|---------|-----|---------|
| Model | Year | MG | SG | Illustration | Restrictions | Update | 10:10 | 30.08.2006 | PORSCHE | PET | PORSCHE |
| 997t | 07 | 9 | 02 | 902-01 | | 203 | | | | | |



| Pos | Part Number | Name | Remarks | Qty | Model |
|-----|----------------|---------------------------------------|---------|-----|-------|
| | | central electrical system rear end | | | |
| (1) | 996 610 229 03 | plate | | 1 | |
| 2 | 999 084 629 09 | hexagon nut M 6 | | 2 | |
| 3 | 996 610 112 00 | cablE holder | | 1 | |
| 4 | 996 610 111 00 | relay carrier support frame | | X | |
| 5 | 987 610 118 00 | support | /R | 1 | |
| 6 | 987 610 117 00 | support | /L | 1 | |
| 7 | 928 610 511 00 | relay carrier | | X | |
| 8 | 999 650 747 40 | fuse holder | | 1 | |
| 9 | 999 650 748 40 | locking device | | 1 | |
| 10 | 999 607 083 00 | fuse 7,5 A | | X | |
| 10 | 999 607 085 00 | fuse 15 A | | X | |
| 11 | - | relay | | | |
| S 1 | 999 657 009 90 | relay rear window heating | | 1 | |
| S 3 | 964 615 215 00 | relay air conditioner | | 1 | I573 |
| S 8 | 999 657 011 90 | relay blower engine compartment | | 1 | |
| S 9 | 999 657 008 90 | relay secondary pump | | 1 | I661 |
| 12 | 999 650 193 40 | fuse holder | | 3 | |
| 13 | 999 650 371 40 | locking device | | 3 | |
| 14 | 999 607 073 00 | fuse 40 A large | | 3 | |
| | | - - - E N D - - - | | | |

| | | | | | | | | | | | |
|-------|------|----|----|--------------|--------------|--------|-------|------------|---------|-----|---------|
| Model | Year | MG | SG | Illustration | Restrictions | Update | 10:10 | 30.08.2006 | PORSCHE | PET | PORSCHE |
| 997t | 07 | 9 | 02 | 902-05 | | 203 | | | | | |



| Pos | Part Number | Name | Remarks | Qty | Model |
|-------|----------------|--|---------|-----|-------|
| | | battery power distributor starter generator | | | |
| 1 | 997 611 090 00 | ground strap | /LL | 1 | I098 |
| (1) | 997 611 091 00 | ground strap when required order also: | /RL | 1 | I099 |
| - | 900 377 010 09 | hexagon nut M 6 | | 1 | |
| (2) | 999 611 070 20 | battery 70 AH | | 1 | |
| 2 | 999 611 080 20 | battery 80 AH | | 1 | |
| (2) N | 999 611 095 20 | battery 95 AH | | 1 | I200 |
| 3 | 893 915 507 | angled pipe | | 1 | |
| 4 | 997 612 993 00 | repair kit wiring harness battery power distributor | /LL | 1 | I098 |
| (4) | 997 612 995 00 | repair kit wiring harness battery power distributor | /RL | 1 | I099 |
| 5 | 900 380 005 09 | hexagon nut VM 8 | | 2 | |
| 6 | 900 378 017 09 | hexagon-head bolt M 8 X 20 | | 1 | |
| 7 | 996 611 209 00 | rail | | 1 | |
| 8 | 996 504 151 02 | carrier plate for battery | | 1 | |
| (8) N | 997 504 151 01 | carrier plate for battery | | 1 | I200 |
| - | 996 504 622 01 | gasket carrier plate for battery | | 1 | |
| 9 | 999 084 630 09 | hexagon nut VM 8 SB | | 4 | |
| 10 | 997 610 912 00 | repair kit replacement fuse element comprising: | | 1 | |

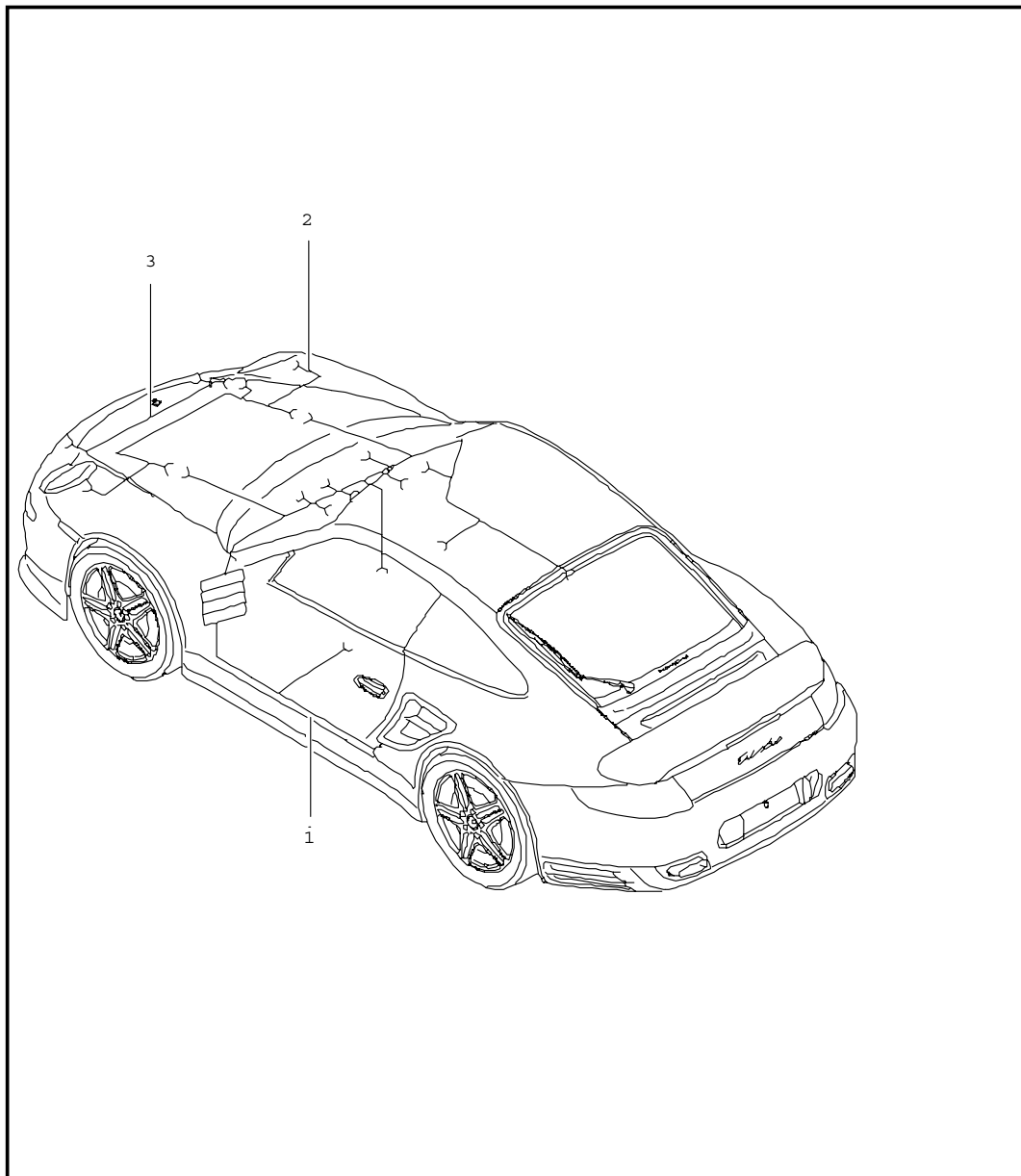
| | | | | | | | | | | | |
|-------|------|----|----|--------------|--------------|--------|-------|------------|---------|-----|---------|
| Model | Year | MG | SG | Illustration | Restrictions | Update | 10:10 | 30.08.2006 | PORSCHE | PET | PORSCHE |
| 997t | 07 | 9 | 02 | 902-05 | | 203 | | | | | |

| Pos | Part Number | Name | Remarks | Qty | Model | Pos | Part Number | Name | Remarks | Qty | Model |
|------|----------------|---|---------|-----|-------|------|----------------|---|---------|-----|----------|
| - | - | fuse element 50 AMPERE | | 1 | | 13 | 997 612 092 01 | cable power distributor | /LL | 1 | I098/480 |
| - | - | fuse element 80 AMPERE | | 1 | | (13) | 997 612 098 00 | cable starter power distributor | /RL | 1 | I099/480 |
| - | - | hexagon nut M 5 | | 4 | | 14 | 997 612 091 03 | cable power distributor connection point | /LL | 1 | I098/249 |
| - | - | square washer | | 4 | | | | | | | |
| - | - | cover blue | | 1 | | (14) | 997 612 097 00 | cable power distributor connection point | /RL | 1 | I099/249 |
| - | - | seal label red | | 1 | | 15 | 997 607 033 00 | wiring harness with connection point starter | | 1 | I249 |
| (10) | 997 610 913 00 | repair kit replacement fuse element comprising: | | 1 | | 16 | 997 607 301 00 | connection point complete | | 1 | I249 |
| - | - | fuse element 150 AMPERE | | 1 | | 17 | 900 385 009 01 | torx screw BM 6 X 16 | | 2 | I249 |
| - | - | hexagon nut M 8 | | 2 | | 18 | 999 919 121 09 | oval-head screw 5 X 16 | | 2 | I249 |
| - | - | square washer | | 2 | | 19 | 999 084 629 09 | hexagon nut M 6 | | 1 | |
| - | - | cover blue | | 1 | | 20 | 900 075 497 02 | hexagon-head bolt M 5 X 10 | | 1 | |
| - | - | seal label red | | 1 | | 21 | 999 507 702 02 | speed nut M 5 | | 1 | |
| 11 | 997 610 911 00 | repair kit replacement power distributor comprising: | | 1 | | 22 | 997 607 032 00 | wiring harness starter generator | | 1 | I249 |
| - | - | power distributor without fuse element | | 1 | | (22) | 997 607 031 00 | wiring harness starter generator | | 1 | I480 |
| - | - | hexagon nut M 5 | | 8 | | 23 | 996 607 042 00 | support | | 1 | I249 |
| - | - | hexagon nut M 8 | | 3 | | 24 | 996 604 107 00 | starter | | 1 | |
| - | - | seal label red when required order also: POS. 12 | | 1 | | 25 | 900 385 097 01 | torx screw BM 10 X 35 | | 2 | |
| - | - | | | | | 26 | 996 604 118 00 | protection cap | | 1 | I480 |
| 12 | 900 084 123 02 | hexagon nut M 8 | | 1 | | (26) | 996 604 117 00 | protection cap | | 1 | I249 |

| | | | | | | | | | | | |
|-------|------|----|----|--------------|--------------|--------|-------|------------|---------|-----|---------|
| Model | Year | MG | SG | Illustration | Restrictions | Update | 10:10 | 30.08.2006 | PORSCHE | PET | PORSCHE |
| 997t | 07 | 9 | 02 | 902-05 | | 203 | | | | | |

| Pos | Part Number | Name | Remarks | Qty | Model | Pos | Part Number | Name | Remarks | Qty | Model |
|------|----------------|---|---------|-----|-------|-----|-------------|------|---------|-----|-------|
| 27 | 997 607 034 01 | ground strap engine body | | 1 | | | | | | | |
| 28 | 997 603 022 00 | generator with pulley without free wheel lock | | 1 | I249 | | | | | | |
| 28 | 997 603 022 01 | generator with pulley free wheel lock | | 1 | I480 | | | | | | |
| 29 | 996 603 151 55 | pulley without free wheel lock | | 1 | I249 | | | | | | |
| (29) | 996 603 152 50 | pulley with free wheel lock | | 1 | I480 | | | | | | |
| 30 | N 012 016 1 | lock ring B 16 | | 1 | | | | | | | |
| 31 | 900 034 013 02 | hexagon nut M 16 X 1,5 | | 1 | | | | | | | |
| - | 996 603 113 00 | protection cap | | 1 | I249 | | | | | | |
| - | 996 603 153 50 | protection cap mounting parts generator | | 1 | I480 | | | | | | |
| - | 900 385 004 01 | torx screw BM 10 X 60 | | 1 | | | | | | | |
| - | 900 385 124 01 | torx screw BM 10 X 110 | | 1 | | | | | | | |
| 32 | 900 377 003 01 | hexagon nut M 8 | | 3 | | | | | | | |
| 33 | 900 377 010 02 | hexagon nut M 6 | | 1 | | | | | | | |
| | | - - - E N D - - - | | | | | | | | | |

| | | | | | | | | | | | |
|-------|------|----|----|--------------|--------------|--------|-------|------------|---------|-----|---------|
| Model | Year | MG | SG | Illustration | Restrictions | Update | 10:10 | 30.08.2006 | PORSCHE | PET | PORSCHE |
| 997t | 07 | 9 | 02 | 902-10 | | 203 | | | | | |

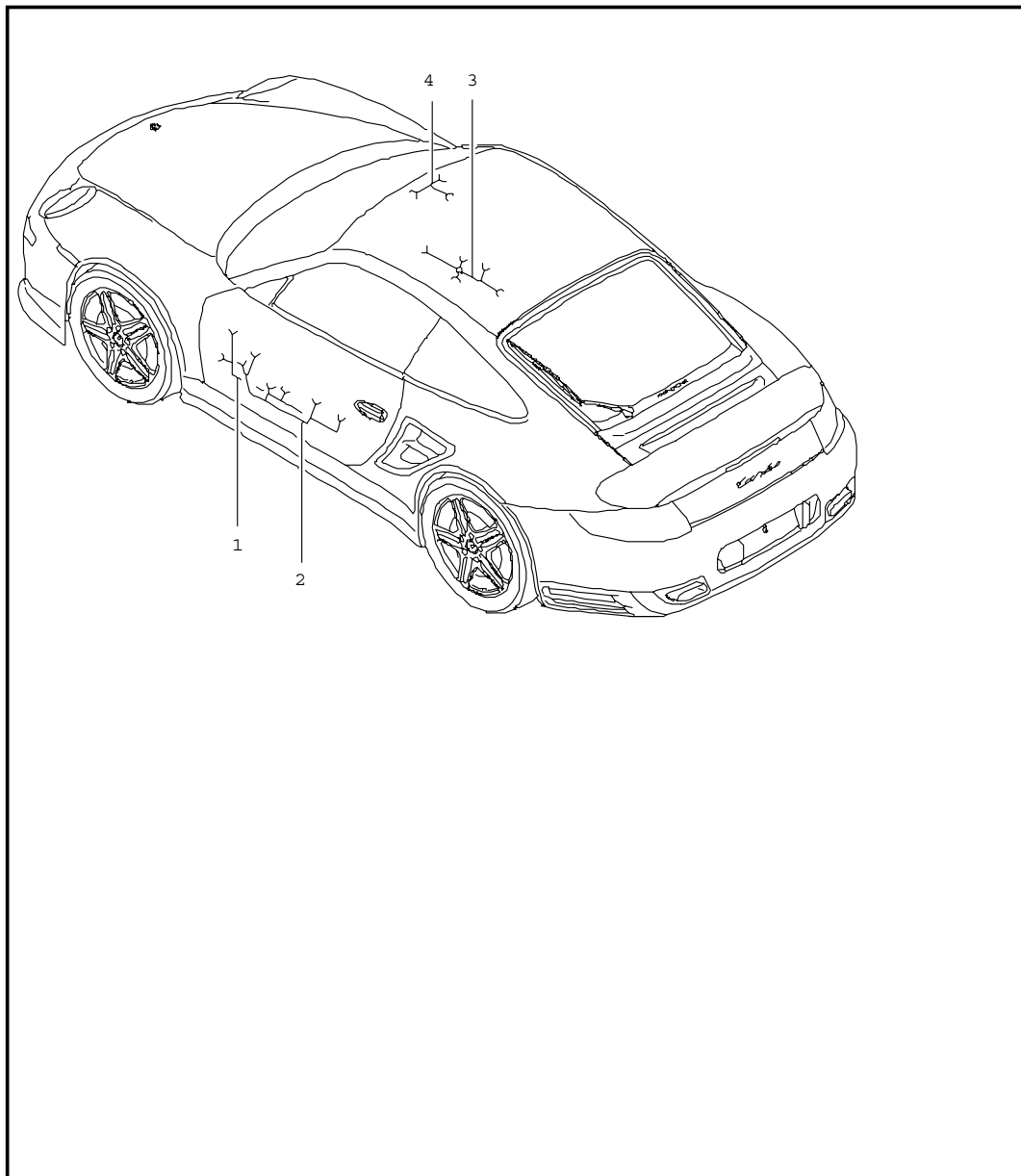


| Pos | Part Number | Name | Remarks | Qty | Model |
|-----|----------------|--|---------|-----|-------|
| | | harnesses passenger compartment front trunk lining front airbag seat-belt tensioner repair kits shock absorber anti-lock brake system brake pad wear indicator front axle | | | I475 |
| 1 | 997 622 903 00 | wiring harness passenger compartment vehicle identification no. indicate | | 1 | |
| 2 | 997 622 521 10 | wiring harness front trunk | | 1 | I601 |
| 3 | 997 622 501 00 | wiring harness lining front | | 1 | |
| - | 997 612 781 00 | wiring harness airbag passenger's side setting 1 | | 1 | |
| - | 997 612 783 00 | wiring harness airbag passenger's side setting2 | | 1 | |
| - | 997 612 992 00 | wiring harness control unit airbag connection point door | | 2 | |
| | | wiring harness airbag seat see group 8/17/06 8/17/21 | | | |
| - | 997 612 793 01 | wiring harness seat-belt tensioner | | 2 | |
| - | 997 612 950 00 | repair kit wiring harness shock absorber | | 2 | I475 |

| | | | | | | | | | | | |
|-------|------|----|----|--------------|--------------|--------|-------|------------|---------|-----|---------|
| Model | Year | MG | SG | Illustration | Restrictions | Update | 10:10 | 30.08.2006 | PORSCHE | PET | PORSCHE |
| 997t | 07 | 9 | 02 | 902-10 | | 203 | | | | | |

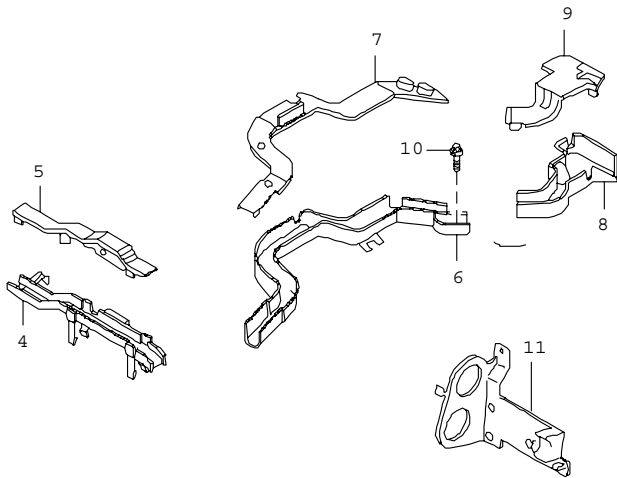
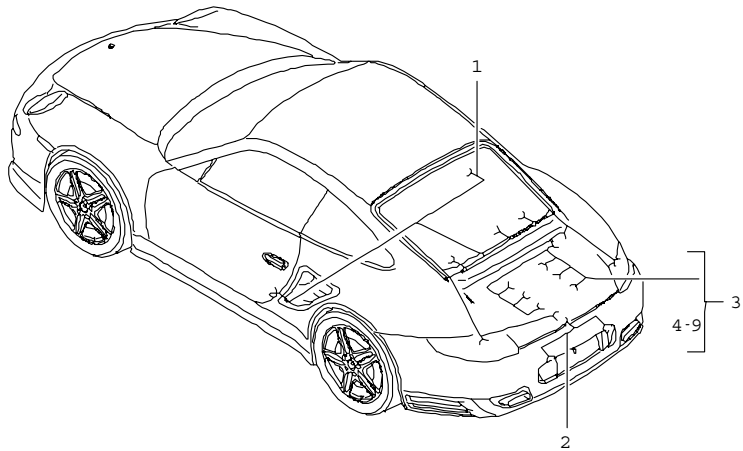
| Pos | Part Number | Name | Remarks | Qty | Model | Pos | Part Number | Name | Remarks | Qty | Model |
|-----|----------------|--|---------|-----|-------|-----|-------------|------|---------|-----|-------|
| | | repair kit wiring harness anti-lock brake system brake pad wear indicator front axle | | | | | | | | | |
| - | 997 612 965 00 | repair kit wiring harness | /V/L | 1 | | | | | | | |
| - | 997 612 964 00 | repair kit wiring harness when required order also: | /V/R | 1 | | | | | | | |
| - | 999 513 049 40 | tie-wrap repair kit wiring harness rear axle see group 9/02/20 - - - E N D - - - | | 4 | | | | | | | |

| | | | | | | | | | | | |
|-------|------|----|----|--------------|--------------|--------|-------|------------|---------|-----|---------|
| Model | Year | MG | SG | Illustration | Restrictions | Update | 10:11 | 30.08.2006 | PORSCHE | PET | PORSCHE |
| 997t | 07 | 9 | 02 | 902-15 | | 203 | | | | | |



| Pos | Part Number | Name | Remarks | Qty | Model |
|-----|----------------|---|---------|-----|-------|
| | | harnesses doors airbag centre console glove compartment | | | |
| 1 | 997 612 642 05 | wiring harness wiper frame driver's door | /LL | 1 | I098 |
| (1) | 997 612 644 55 | wiring harness wiper frame driver's door | /RL | 1 | I099 |
| (1) | 997 612 643 55 | wiring harness wiper frame passenger's door | /LL | 1 | I098 |
| (1) | 997 612 645 05 | wiring harness wiper frame passenger's door | /RL | 1 | I099 |
| - | 997 612 780 16 | wiring harness airbag | | 2 | |
| 2 | 997 612 647 05 | wiring harness door panel driver's door | /LL | 1 | I098 |
| (2) | 997 612 650 05 | wiring harness door panel driver's door | /RL | 1 | I099 |
| (2) | 997 612 648 05 | wiring harness door panel passenger's door | /LL | 1 | I098 |
| (2) | 997 612 649 05 | wiring harness door panel passenger's door | /RL | 1 | I099 |
| 3 | 997 612 652 75 | wiring harness centre console | | 1 | |
| 4 | 997 612 651 00 | wiring harness glove compartment | | 1 | |
| | | - - - E N D - - - | | | |

| | | | | | | | | | | | |
|-------|------|----|----|--------------|--------------|--------|-------|------------|---------|-----|---------|
| Model | Year | MG | SG | Illustration | Restrictions | Update | 10:11 | 30.08.2006 | PORSCHE | PET | PORSCHE |
| 997t | 07 | 9 | 02 | 902-20 | | 203 | | | | | |



| Pos | Part Number | Name | Remarks | Qty | Model |
|-----|----------------|--|---------|-----|--------------|
| | | harnesses rear end license plate light engine transmission repair kits shock absorber anti-lock brake system brake pad wear indicator rear axle | | | I249 I475 |
| 1 | 997 622 905 00 | wiring harness rear end vehicle identification no. indicate | | 1 | |
| 2 | 997 612 660 00 | wiring harness license plate light | | 1 | |
| (2) | 997 612 661 00 | wiring harness park distance control license plate light | | 1 | I635 |
| 3 | 997 607 015 01 | wiring harness engine | | 1 | |
| 4 | 997 607 141 00 | cable guide cyl. 1 - 3 | | 1 | |
| 5 | 997 607 151 00 | cover cable guide cyl. 1 - 3 | | 1 | |
| 6 | 997 607 143 00 | cable guide centre | | 1 | |
| 7 | 997 607 153 00 | cover cable guide centre | | 1 | |
| 8 | 997 607 142 00 | cable guide cyl. 4 - 6 | | 1 | |
| 9 | 997 607 152 00 | cover cable guide cyl. 4 - 6 | | 1 | |
| 10 | 900 385 009 01 | torx screw BM 6 X 16 | | 2 | |
| 11 | 996 607 101 02 | support connection point wiring harness engine | | 1 | |
| - P | 997 622 663 00 | wiring harness transmission | | 1 | I249 |

| | | | | | | | | | | | |
|-------|------|----|----|--------------|--------------|--------|-------|------------|---------|-----|---------|
| Model | Year | MG | SG | Illustration | Restrictions | Update | 10:11 | 30.08.2006 | PORSCHE | PET | PORSCHE |
| 997t | 07 | 9 | 02 | 902-20 | | 203 | | | | | |

| Pos | Part Number | Name | Remarks | Qty | Model | Pos | Part Number | Name | Remarks | Qty | Model |
|-----|------------------|---|---------|-----|-------|-----|-------------|------|---------|-----|-------|
| - | P 999 507 752 40 | cable holder for wiring harness transmission | | 1 | I249 | | | | | | |
| - | P 999 591 746 02 | cable holder for wiring harness transmission | | 4 | | | | | | | |
| - | 997 612 950 00 | repair kit wiring harness shock absorber repair kit wiring harness anti-lock brake system brake pad wear indicator rear axle | | 2 | I475 | | | | | | |
| - | 997 612 967 00 | repair kit wiring harness | /H/L | 1 | | | | | | | |
| - | 997 612 966 00 | repair kit wiring harness repair kit wiring harness front axle see group 9/02/10 | /H/R | 1 | | | | | | | |
| | | - - - E N D - - - | | | | | | | | | |

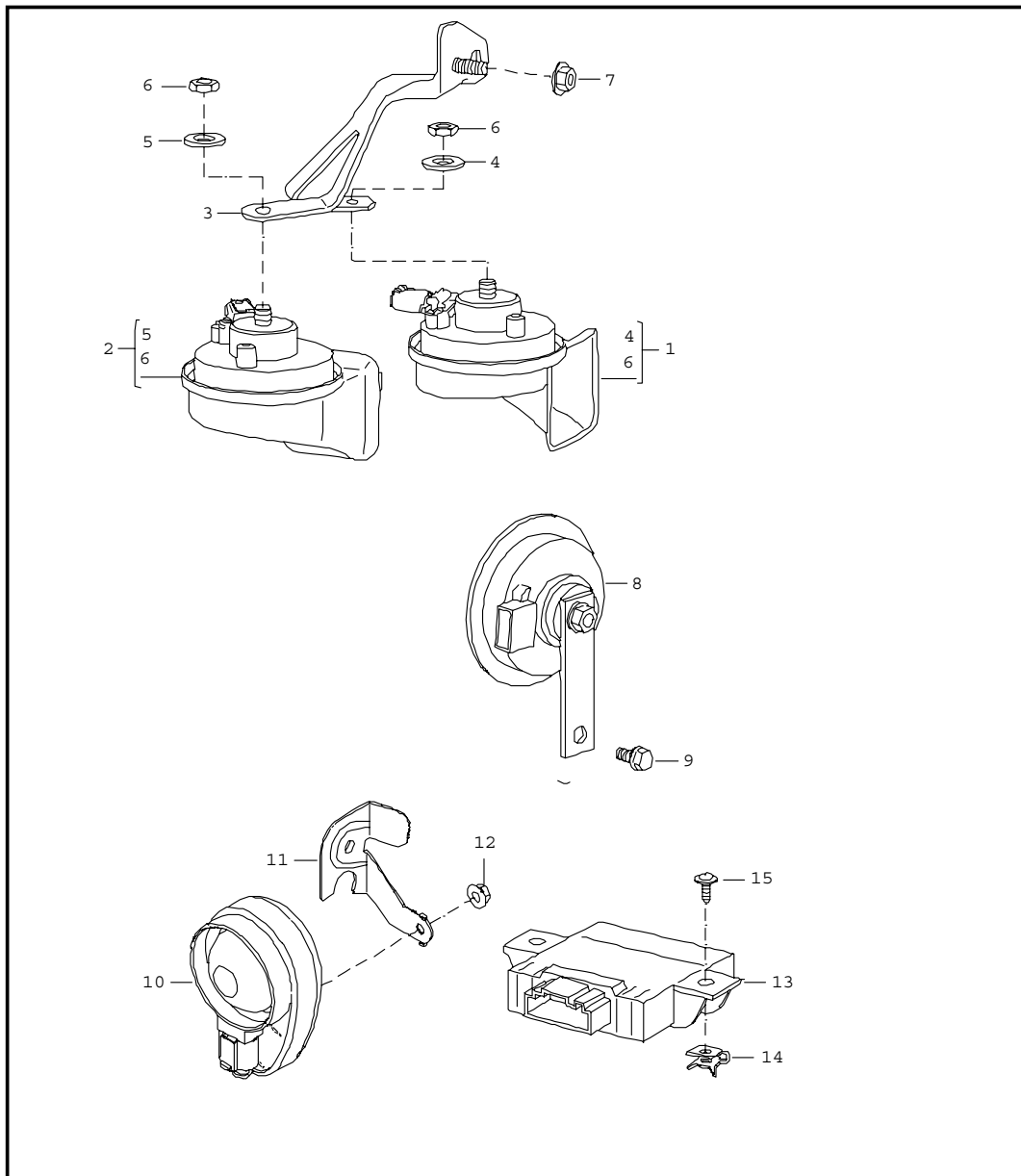
| | | | | | | | | |
|-------|------|----|----|--------------|--------------|--------|-------|------------|
| Model | Year | MG | SG | Illustration | Restrictions | Update | 10:11 | 30.08.2006 |
| 997t | 07 | 9 | 02 | 902-50 | | 203 | | |

| Pos | Part Number | Name | Remarks | Qty | Model |
|-----|----------------|--|---------|-----|------------------------------|
| | | optical waveguide module passenger compartment | | | |
| - | 997 622 701 00 | optical waveguide module | /LL | 1 | I098/670/672 I680/689/692 |
| - | 997 622 701 50 | optical waveguide module | /RL | 1 | I099/670/672 I680/689/692 |
| - | 997 622 702 00 | optical waveguide module | /LL | 1 | I098/666/689 |
| - | 997 622 702 50 | optical waveguide module | /RL | 1 | I099/666/689 |
| - | 997 622 703 00 | optical waveguide module | /LL | 1 | I098/666/670 672/680/692 |
| - | 997 622 703 50 | optical waveguide module | /RL | 1 | I099/666/670 I672/680/692 |
| | | module front trunk | | | |
| - | 997 610 122 00 | support connection point | | 1 | |
| - | 996 610 132 00 | cable guide t-piece front trunk | | X | |
| - | 997 622 723 00 | optical waveguide module | /LL | 1 | I098/670/672 |
| - | 997 622 723 50 | optical waveguide module | /RL | 1 | I099/670/672 |
| - | 997 622 705 00 | optical waveguide module | /LL | 1 | I098/680 |
| - | 997 622 705 50 | optical waveguide module | /RL | 1 | I099/680 |
| - | 997 622 721 00 | optical waveguide module | /LL | 1 | I098/692 |
| - | 997 622 721 50 | optical waveguide module | /RL | 1 | I099/692 |
| - | 997 622 722 00 | optical waveguide module | /LL | 1 | I098/664/670 672 |
| - | 997 622 726 00 | optical waveguide module | /LL | 1 | I098/664/680 |
| - | 997 622 728 00 | optical waveguide module | /LL | 1 | I098/664/692 |

| | | | | | | | | |
|-------|------|----|----|--------------|--------------|--------|-------|------------|
| Model | Year | MG | SG | Illustration | Restrictions | Update | 10:11 | 30.08.2006 |
| 997t | 07 | 9 | 02 | 902-50 | | 203 | | |

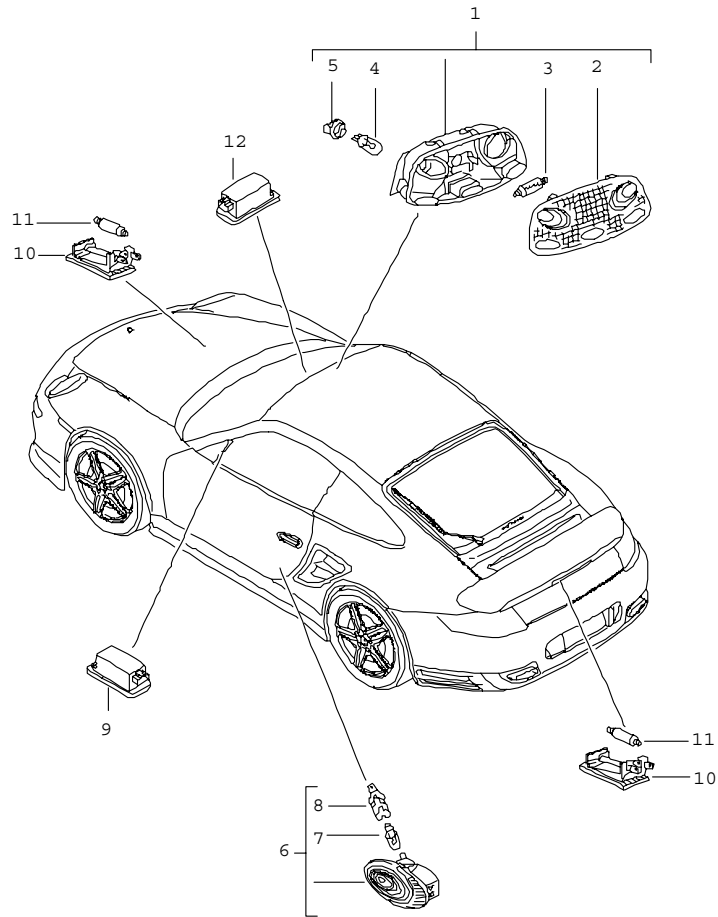
| Pos | Part Number | Name | Remarks | Qty | Model |
|-----|----------------|--------------------------|---------|-----|--------------------------|
| - | 997 622 718 00 | optical waveguide module | /LL | 1 | I098/670/672 680 |
| - | 997 622 718 50 | optical waveguide module | /RL | 1 | I099/670/672 680 |
| - | 997 622 717 00 | optical waveguide module | /LL | 1 | I098/664/670 672/680 |
| - | 997 622 724 00 | optical waveguide module | /LL | 1 | I098/670/672 692 |
| - | 997 622 724 50 | optical waveguide module | /RL | 1 | I099/670/672 692 |
| - | 997 622 725 00 | optical waveguide module | /LL | 1 | I098/664/670 672/692 |
| - | 997 622 716 00 | optical waveguide module | /LL | 1 | I098/680/692 |
| - | 997 622 716 50 | optical waveguide module | /RL | 1 | I099/680/692 |
| - | 997 622 727 00 | optical waveguide module | /LL | 1 | I098/664/680 692 |
| - | 997 622 719 00 | optical waveguide module | /LL | 1 | I098/670/672 680/692 |
| - | 997 622 719 50 | optical waveguide module | /RL | 1 | I099/670/672 680/692 |
| - | 997 622 720 00 | optical waveguide module | /LL | 1 | I098/664/670 672/680/692 |
| | | - - - E N D - - - | | | |

| | | | | | | | | | | | |
|-------|------|----|----|--------------|--------------|--------|-------|------------|---------|-----|---------|
| Model | Year | MG | SG | Illustration | Restrictions | Update | 10:11 | 30.08.2006 | PORSCHE | PET | PORSCHE |
| 997t | 07 | 9 | 03 | 903-00 | | 203 | | | | | |



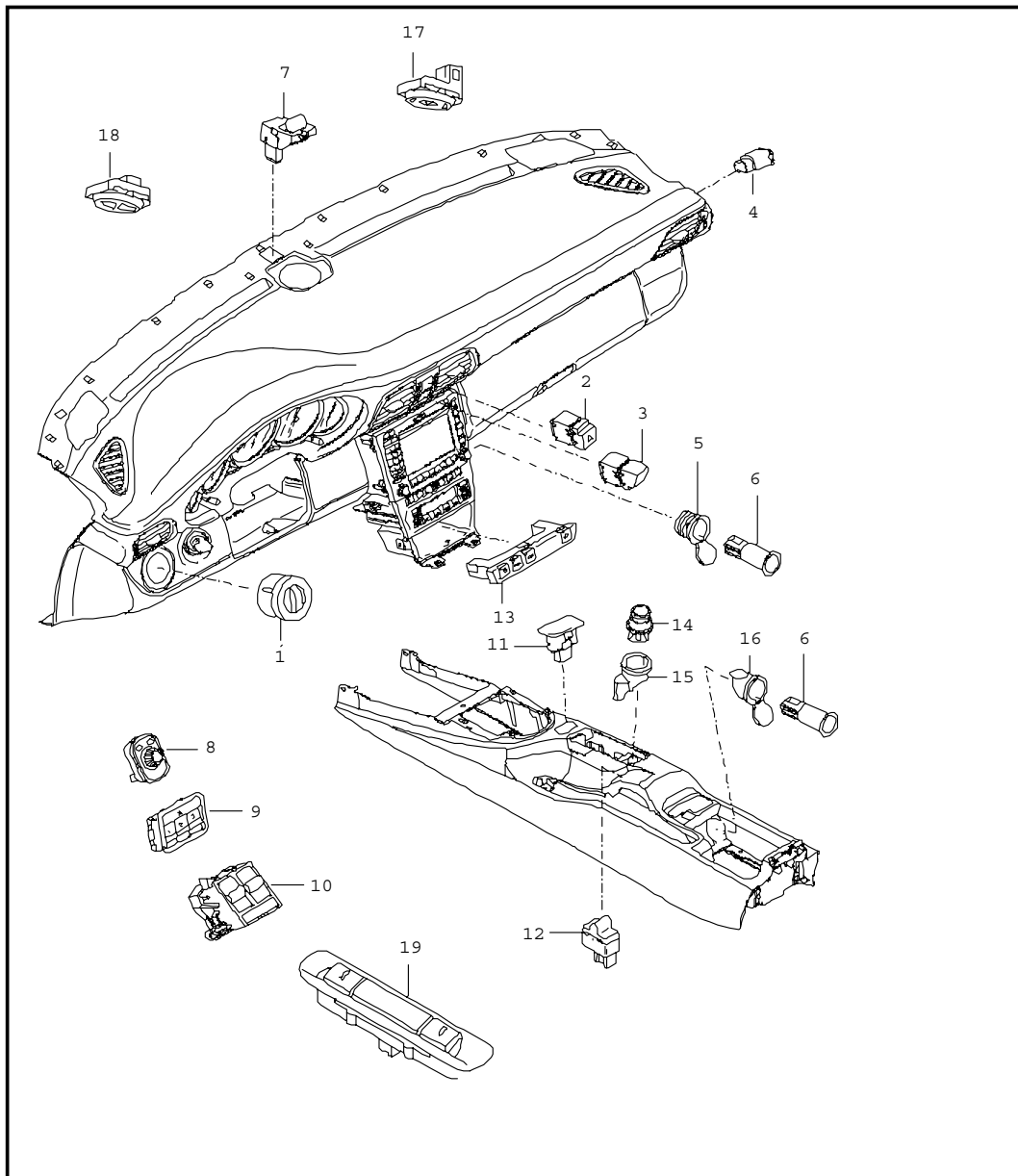
| Pos | Part Number | Name | Remarks | Qty | Model |
|-------------------|----------------|---------------------------------|---------|-----|-------|
| | | fanfare horn alarm system | | | I536 |
| 1 | 997 635 206 00 | fanfare high-pitched | | 1 | |
| 2 | 997 635 205 00 | fanfare low-pitched | | 1 | |
| 3 | 997 635 150 01 | support | | 1 | |
| 4 | - | washer high-pitched | | 1 | |
| 5 | - | washer low-pitched | | 1 | |
| 6 | N 011 118 8 | hexagon nut M 8 | | 2 | |
| 7 | 900 377 003 02 | hexagon nut M 8 | | 1 | |
| 8 | 996 637 117 02 | horn for alarm system | | 1 | |
| 9 | 900 075 459 09 | screw M 6 X 12 Z2 | | 1 | |
| 10 | 955 618 237 01 | alarm siren | | 1 | I536 |
| 11 | 997 637 419 01 | support | | 1 | I536 |
| 12 | 900 380 015 09 | hexagon nut M 6 | | 1 | I536 |
| 13 | 997 618 265 00 | tilt sensor | | 1 | I536 |
| 14 | 999 591 742 02 | speed nut 4,2 | | 2 | I536 |
| 15 | 999 073 155 09 | tapping screw 4,2 X 13 | | 2 | I536 |
| - - - E N D - - - | | | | | |

| | | | | | | | | | | | |
|-------|------|----|----|--------------|--------------|--------|-------|------------|---------|-----|---------|
| Model | Year | MG | SG | Illustration | Restrictions | Update | 10:11 | 30.08.2006 | PORSCHE | PET | PORSCHE |
| 997t | 07 | 9 | 03 | 903-04 | | 203 | | | | | |



| Pos | Part Number | Name | Remarks | Qty | Model |
|-----|----------------|---|---------|-----|-------|
| | | interior lights luggage boot lamp engine compartment lamp glove compartment light floor light | | | |
| 1 | 997 632 051 00 | interior light | | 1 | |
| 2 | 996 632 151 00 | lens | | 1 | |
| 3 | 900 631 106 90 | linolite lamp 10 W | | 1 | |
| 4 | 999 631 134 90 | bulb 6 W | | 2 | |
| 5 | 999 632 018 00 | bulb holder | | 2 | |
| 6 | 996 632 132 01 | door guard light | | 2 | |
| 7 | 999 631 032 90 | bulb 5 W | | 2 | |
| 8 | 161 949 111 | bulb holder | | 2 | |
| 9 | 955 632 202 00 | light footwell | | 2 | |
| 10 | 997 632 201 00 | light engine compartment luggage compartment | | 2 | |
| 11 | 900 631 106 90 | bulb 10 W | | 2 | |
| 12 | 997 632 071 00 | glove compartment light | | 1 | |
| - | 999 631 137 90 | bulb 3 W make-up mirror | | 4 | |
| | | - - - E N D - - - | | | |

| | | | | | | | | | | | |
|-------|------|----|----|--------------|--------------|--------|-------|------------|---------|-----|---------|
| Model | Year | MG | SG | Illustration | Restrictions | Update | 10:12 | 30.08.2006 | PORSCHE | PET | PORSCHE |
| 997t | 07 | 9 | 03 | 903-05 | | 203 | | | | | |

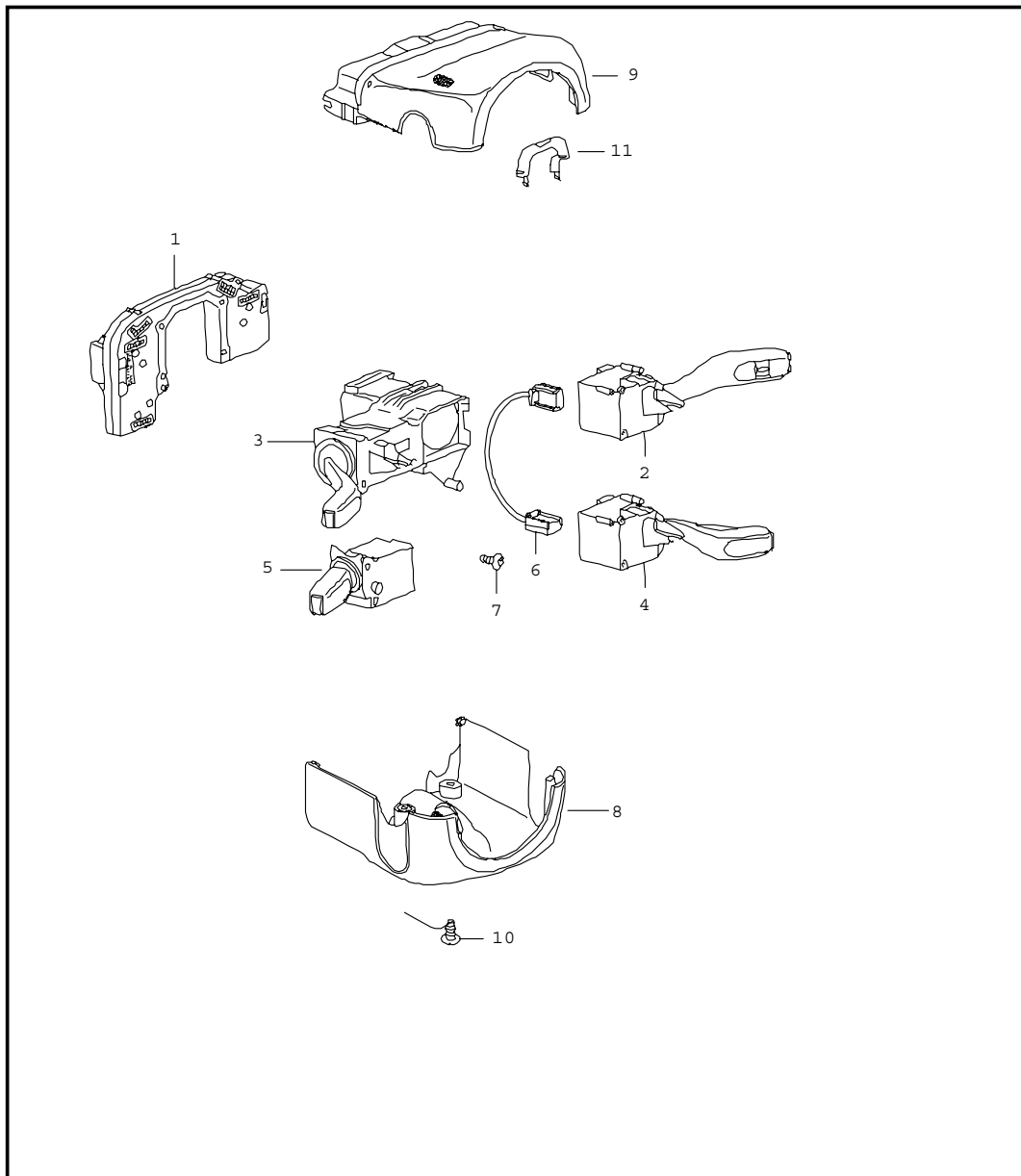


| Pos | Part Number | Name | Remarks | Qty | Model |
|------|----------------|---|---------|-----|-------|
| | | switch | | | |
| 1 | 997 613 535 01 | light switch | | 1 | |
| | A05 | black mat | | | |
| 2 | 997 613 120 02 | hazard warning light sw. | | 1 | |
| | A05 | black mat | | | |
| 3 | 997 613 143 00 | switch central locking system | | 1 | |
| | A05 | black mat | | | |
| 4 | 955 613 165 02 | switch airbag | | 1 | |
| | 9B9 | satin black | | | |
| 5 | 997 652 103 00 | clamping ring with cover | | 1 | |
| 6 | 955 652 107 00 | socket | | 2 | |
| 7 | 997 653 251 00 | sensor air conditioner | | 1 | I573 |
| 8 | 997 613 241 00 | switch door mirror | | 1 | |
| | A05 | black mat | | | |
| 9 | 997 613 103 00 | memory switch | /L | 1 | I537 |
| | A05 | black mat | | | |
| (9) | 997 613 104 00 | memory switch | /R | 1 | I538 |
| | A05 | black mat | | | |
| 10 | 997 613 151 03 | switch power windows driver's side | /LL | 1 | I098 |
| | A05 | black mat | | | |
| (10) | 997 613 152 03 | switch power windows driver's side | /RL | 1 | I099 |
| | A05 | black mat | | | |
| (10) | 997 613 156 03 | switch power windows passenger's side | /LL | 1 | I098 |

| | | | | | | | | | | | |
|-------|------|----|----|--------------|--------------|--------|-------|------------|---------|-----|---------|
| Model | Year | MG | SG | Illustration | Restrictions | Update | 10:12 | 30.08.2006 | PORSCHE | PET | PORSCHE |
| 997t | 07 | 9 | 03 | 903-05 | | 203 | | | | | |

| Pos | Part Number | Name | Remarks | Qty | Model | Pos | Part Number | Name | Remarks | Qty | Model |
|------|----------------|---|---------|-----|----------------------|-----|-------------|-------------------|---------|-----|-------|
| | A05 | black mat | | | | | A05 | black mat | | | |
| (10) | 997 613 155 03 | switch power windows passenger's side | /RL | 1 | I099 | | | - - - E N D - - - | | | |
| | A05 | black mat | | | | | | | | | |
| 11 | 997 641 165 00 | indicator light airbag | | 1 | | | | | | | |
| | A05 | black mat | | | | | | | | | |
| (12) | - | cover see group 8/09/20 POS.6 | | | | | | | | | |
| 13 | 997 613 139 00 | combined switch | | 1 | I475/476/639 I640 | | | | | | |
| | FMH | volcano grey/black mat | | | | | | | | | |
| (13) | 997 613 135 00 | combined switch | | 1 | I475/476 | | | | | | |
| | FMH | volcano grey/black mat | | | | | | | | | |
| 14 | 996 652 101 10 | cigarette lighter | | 1 | | | | | | | |
| | A05 | black mat | | | | | | | | | |
| 15 | 997 652 102 00 | headlight unit | | 1 | | | | | | | |
| 16 | 997 652 104 00 | clamping ring with cover | | 1 | | | | | | | |
| 17 | 997 613 147 00 | switch sunroof | | 1 | I650 | | | | | | |
| | A05 | black mat | | | | | | | | | |
| 18 | 997 613 225 01 | switch garage door opener | /L | 1 | I607/I608 | | | | | | |
| | A05 | black mat | | | | | | | | | |
| (18) | 997 613 227 01 | switch garage door opener | /R | 1 | I607/I608 | | | | | | |
| | A05 | black mat | | | | | | | | | |
| (18) | 997 613 235 00 | cover | | 2 | | | | | | | |
| | 01C | satin black | | | | | | | | | |
| 19 | 997 613 105 00 | switch cover front and rear | | 1 | | | | | | | |

| | | | | | | | | | | | |
|-------|------|----|----|--------------|--------------|--------|-------|------------|---------|-----|---------|
| Model | Year | MG | SG | Illustration | Restrictions | Update | 10:12 | 30.08.2006 | PORSCHE | PET | PORSCHE |
| 997t | 07 | 9 | 03 | 903-10 | | 203 | | | | | |

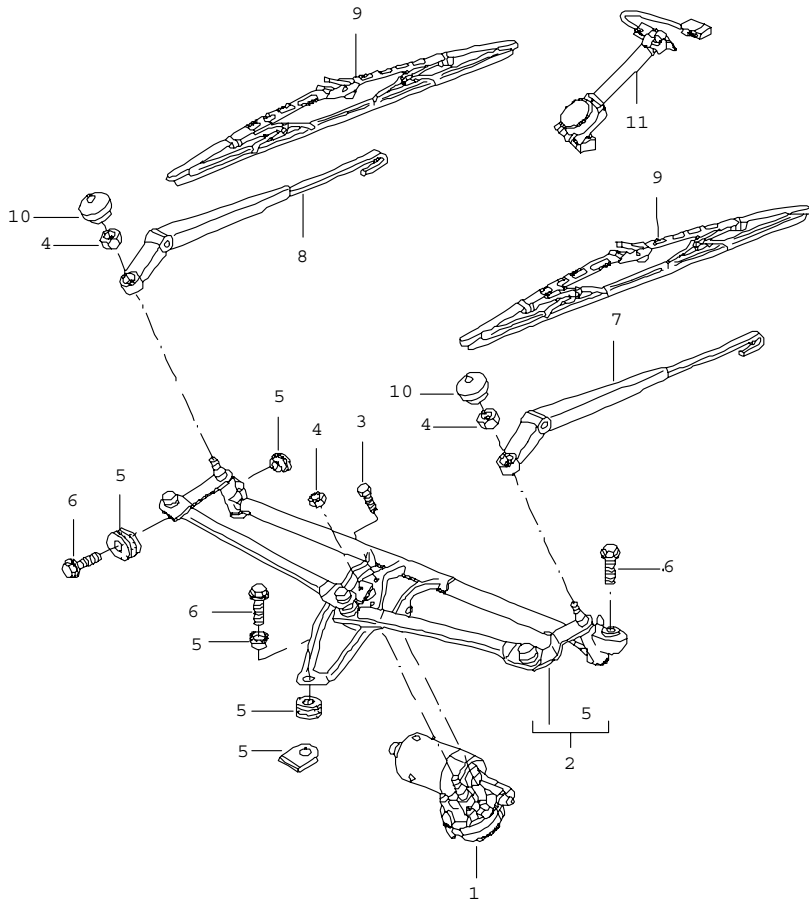


| Pos | Part Number | Name | Remarks | Qty | Model |
|-----|----------------|------------------------------------|---------|-----|-----------|
| | | steering column switch | | | |
| 1 | 997 613 297 01 | electronic unit | | 1 | |
| 2 | 997 613 253 00 | wiper switch | | 1 | I288 |
| | 01C | satin black | | | |
| (2) | 997 613 257 00 | wiper switch | | 1 | I288/I425 |
| | 01C | satin black | | | |
| 3 | 997 613 245 00 | direction indicator switch | | 1 | |
| | 01C | satin black | | | |
| 4 | 997 613 261 00 | switch cruise control | | 1 | I454 |
| | 01C | satin black | | | |
| 5 | 997 613 265 00 | switch on-board computer | | 1 | I659 |
| | 01C | satin black | | | |
| 6 | 997 622 674 00 | wiring harness cruise control | | 1 | I454 |
| 7 | N 909 068 01 | torx screw M 2,5 X 2,6 X 43,5-D | | X | |
| 8 | 997 552 475 02 | switch housing lower | | 1 | |
| | A03 | black | | | |
| (8) | 997 552 475 03 | switch housing lower | | 1 | I454 |
| | A03 | black | | | |
| 8 | 997 552 979 00 | switch housing lower leather | | 1 | IXNS |
| | A11 | black | | | |
| | 5X6 | stone grey | | | |
| | 8G2 | sand beige | | | |
| | 3S9 | sea blue | | | |
| | 4P2 | palmgreen | | | |
| | 9S5 | terracotta | | | |

| | | | | | | | | | | | |
|-------|------|----|----|--------------|--------------|--------|-------|------------|---------|-----|---------|
| Model | Year | MG | SG | Illustration | Restrictions | Update | 10:12 | 30.08.2006 | PORSCHE | PET | PORSCHE |
| 997t | 07 | 9 | 03 | 903-10 | | 203 | | | | | |

| Pos | Part Number | Name | Remarks | Qty | Model | Pos | Part Number | Name | Remarks | Qty | Model |
|-----|----------------|------------------------------------|---------|-----|----------|-----|----------------|-------------------|---------|-----|-------|
| | 9V6 | cocoa | | | | 11 | 997 610 206 00 | cable guide | | 1 | |
| | D12 | dark grey/natural | | | | | | - - - E N D - - - | | | |
| | T12 | brown/natural | | | | | | | | | |
| (8) | 997 552 979 01 | switch housing lower leather | | 1 | IXNS/454 | | | | | | |
| | A11 | black | | | | | | | | | |
| | 5X6 | stone grey | | | | | | | | | |
| | 8G2 | sand beige | | | | | | | | | |
| | 3S9 | sea blue | | | | | | | | | |
| | 4P2 | palmgreen | | | | | | | | | |
| | 9S5 | terracotta | | | | | | | | | |
| | 9V6 | cocoa | | | | | | | | | |
| | D12 | dark grey/natural | | | | | | | | | |
| | T12 | brown/natural | | | | | | | | | |
| 9 | 997 552 273 02 | switch housing upper | | 1 | | | | | | | |
| | A03 | black | | | | | | | | | |
| 9 | 997 552 997 00 | switch housing upper leather | | 1 | IXNS | | | | | | |
| | A11 | black | | | | | | | | | |
| | 5X6 | stone grey | | | | | | | | | |
| | 8G2 | sand beige | | | | | | | | | |
| | 3S9 | sea blue | | | | | | | | | |
| | 4P2 | palmgreen | | | | | | | | | |
| | 9S5 | terracotta | | | | | | | | | |
| | 9V6 | cocoa | | | | | | | | | |
| | D12 | dark grey/natural | | | | | | | | | |
| | T12 | brown/natural | | | | | | | | | |
| 10 | 999 919 136 02 | oval-head screw 3,5 X 18 | | 3 | | | | | | | |

| | | | | | | | | | | | |
|-------|------|----|----|--------------|--------------|--------|-------|------------|---------|-----|---------|
| Model | Year | MG | SG | Illustration | Restrictions | Update | 10:12 | 30.08.2006 | PORSCHE | PET | PORSCHE |
| 997t | 07 | 9 | 04 | 904-00 | | 203 | | | | | |

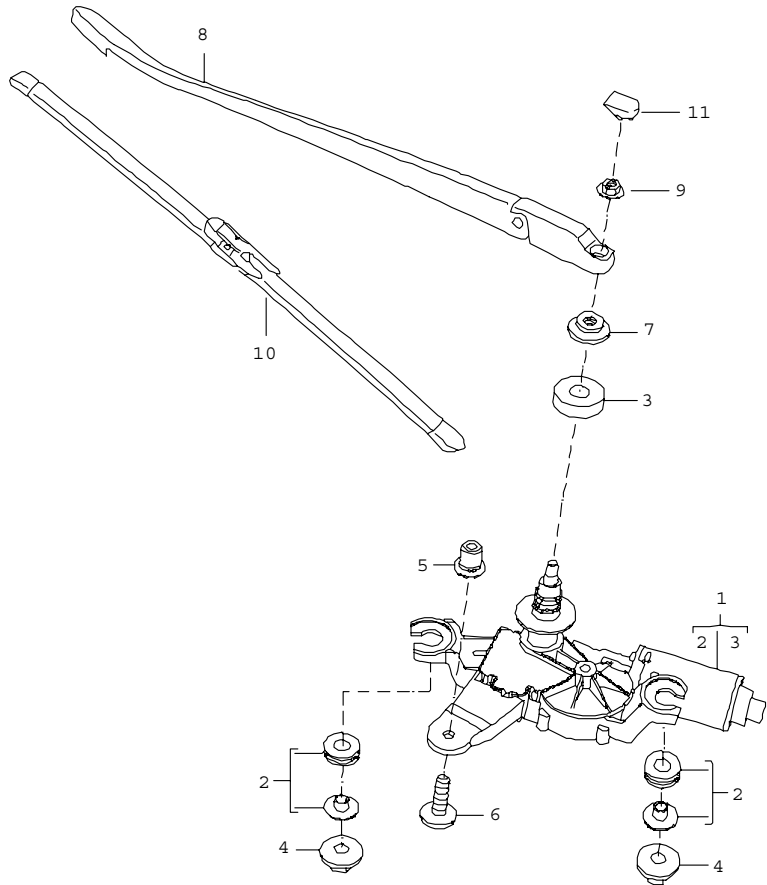


| Pos | Part Number | Name | Remarks | Qty | Model |
|-----|----------------|---|---------|-----|----------|
| | | windscreen wiper system rain sensor | | | |
| 1 | 997 624 105 00 | wiper motor | /LL | 1 | I098 |
| (1) | 997 624 106 00 | wiper motor | /RL | 1 | I099 |
| 2 | 997 628 235 00 | crank drive | /LL | 1 | I098 |
| (2) | 997 628 236 00 | crank drive | /RL | 1 | I099 |
| 3 | 999 073 359 09 | torx screw M 6 X 18 | | 3 | |
| 4 | 900 076 064 01 | hexagon nut M 8 | | 3 | |
| 5 | 997 628 928 00 | repair kit comprising: | | 1 | |
| - | - | sleeve | | 1 | |
| - | - | rubber bush | | 1 | |
| - | - | sleeve | | 1 | |
| - | - | rubber bush | | 1 | |
| - | - | clamp | | 2 | |
| 6 | 999 075 056 09 | screw M 6 X 22 | | 3 | |
| 7 | 996 628 028 00 | wiper arm driver's side | /LL | 1 | I098 |
| (7) | 996 628 027 01 | wiper arm passenger's side | /RL | 1 | I099 |
| 8 | 996 628 028 01 | wiper arm passenger's side | /LL | 1 | I098 |
| (8) | 996 628 027 00 | wiper arm driver's side | /RL | 1 | I099 |
| 9 | 996 628 901 08 | wiper blade set driver's side passenger's side | | 1 | |
| 10 | 944 628 305 01 | cap | | 2 | |
| 11 | 997 612 694 00 | rain sensor with wiring harness | | 1 | I267/268 |

| | | | | | | | | | | | |
|-------|------|----|----|--------------|--------------|--------|-------|------------|---------|-----|---------|
| Model | Year | MG | SG | Illustration | Restrictions | Update | 10:12 | 30.08.2006 | PORSCHE | PET | PORSCHE |
| 997t | 07 | 9 | 04 | 904-00 | | 203 | | | | | |

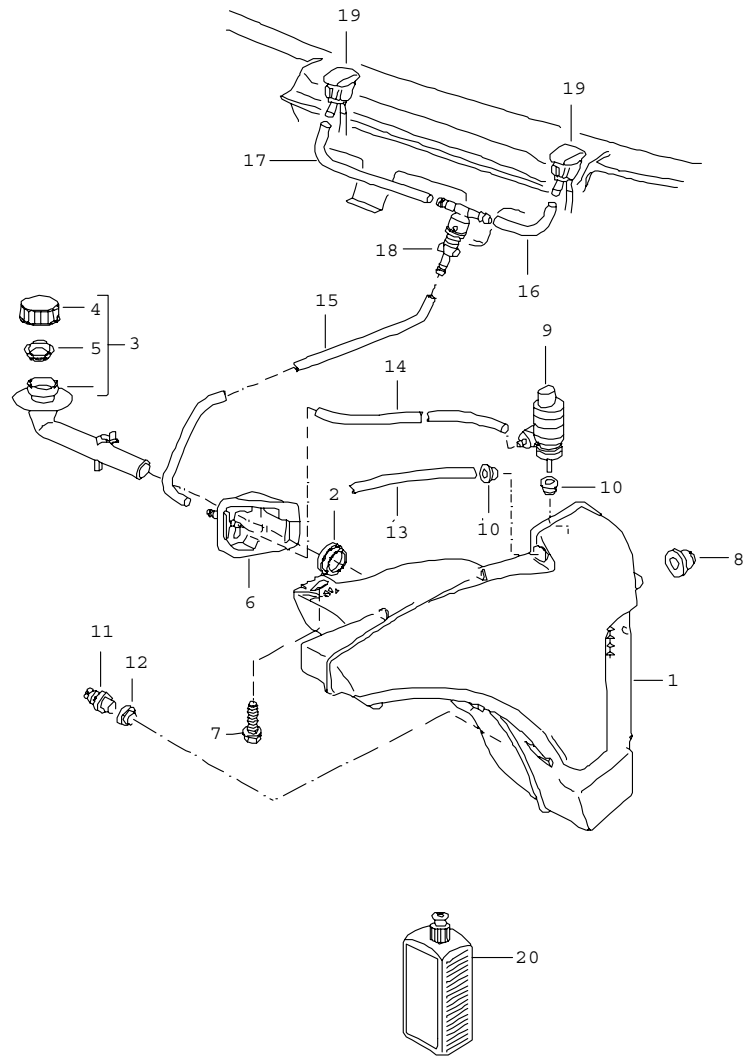
| Pos | Part Number | Name | Remarks | Qty | Model | Pos | Part Number | Name | Remarks | Qty | Model |
|-----|----------------|--|---------|-----|-------|-----|-------------|------|---------|-----|-------|
| - | 000 043 204 65 | adhesive film for rain sensor - - - E N D - - - | | 1 | | | | | | | |

| | | | | | | | | | | | |
|-------|------|----|----|--------------|--------------|--------|-------|------------|---------|-----|---------|
| Model | Year | MG | SG | Illustration | Restrictions | Update | 10:12 | 30.08.2006 | PORSCHE | PET | PORSCHE |
| 997t | 07 | 9 | 04 | 904-05 | | 203 | | | | | |



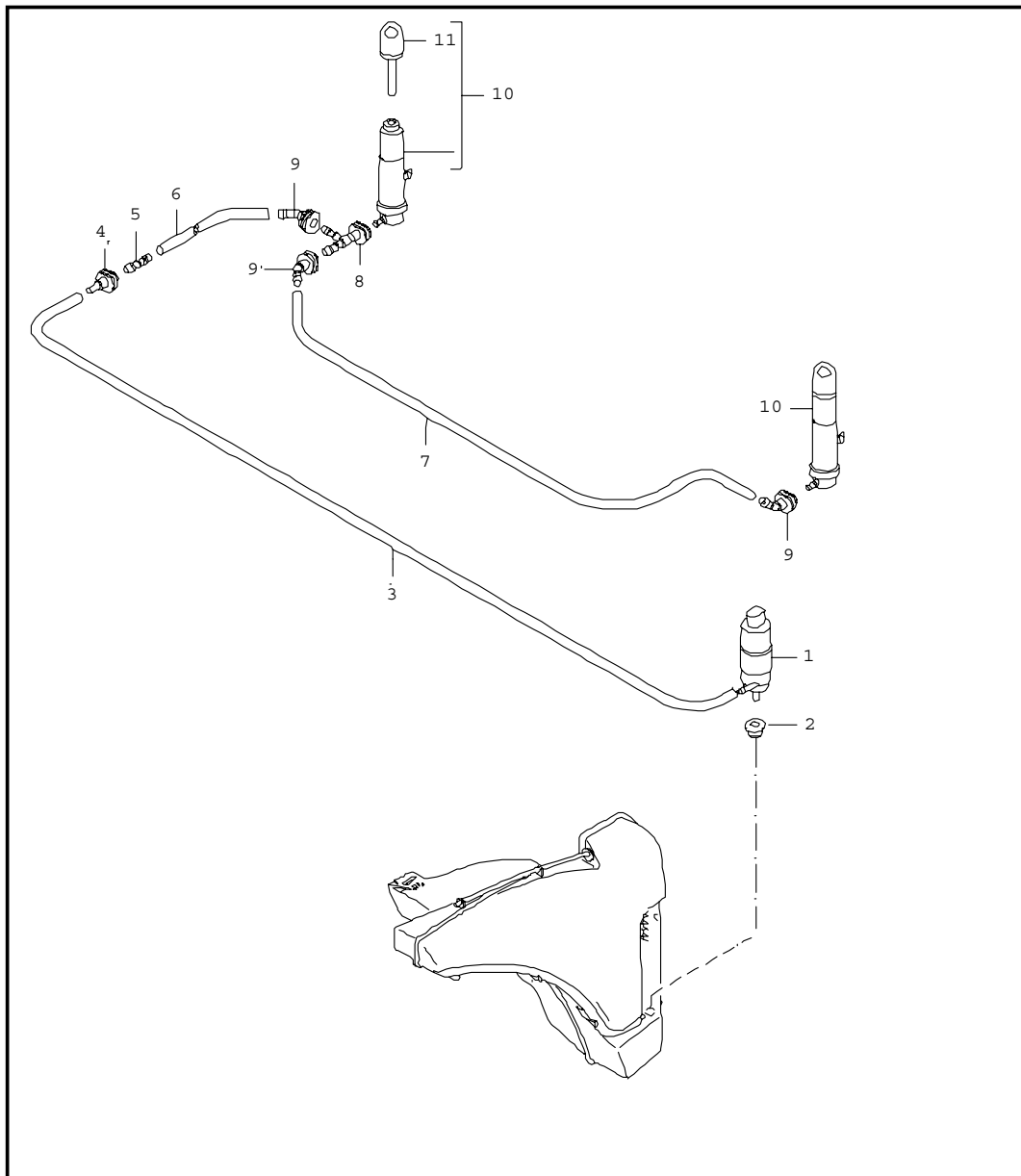
| Pos | Part Number | Name | Remarks | Qty | Model |
|-----|----------------|---------------------------|---------|-----|-------|
| | | rear window wiper | | | I425 |
| 1 | 997 628 080 00 | wiper motor | | 1 | |
| 2 | 997 628 908 00 | repair kit comprising: | | 1 | |
| - | - | grommet | | 2 | |
| - | - | bush | | 2 | |
| 3 | 997 628 910 00 | sealing ring | | 1 | |
| 4 | 999 076 078 09 | hexagon nut M 6 | | 2 | |
| 5 | 999 500 078 00 | speed nut | | 1 | |
| 6 | 999 075 075 09 | screw M 6 X 22 Z2 | | 1 | |
| 7 | 997 628 273 00 | grommet | | 1 | |
| 8 | 997 628 169 00 | wiper arm | | 1 | |
| 9 | 900 377 003 02 | hexagon nut | | 1 | |
| 10 | 997 628 189 00 | wiper blade | | 1 | |
| 11 | 997 628 122 00 | cap | | 1 | |
| | | - - - E N D - - - | | | |

| | | | | | | | | | | | |
|-------|------|----|----|--------------|--------------|--------|-------|------------|---------|-----|---------|
| Model | Year | MG | SG | Illustration | Restrictions | Update | 10:13 | 30.08.2006 | PORSCHE | PET | PORSCHE |
| 997t | 07 | 9 | 04 | 904-10 | | 203 | | | | | |



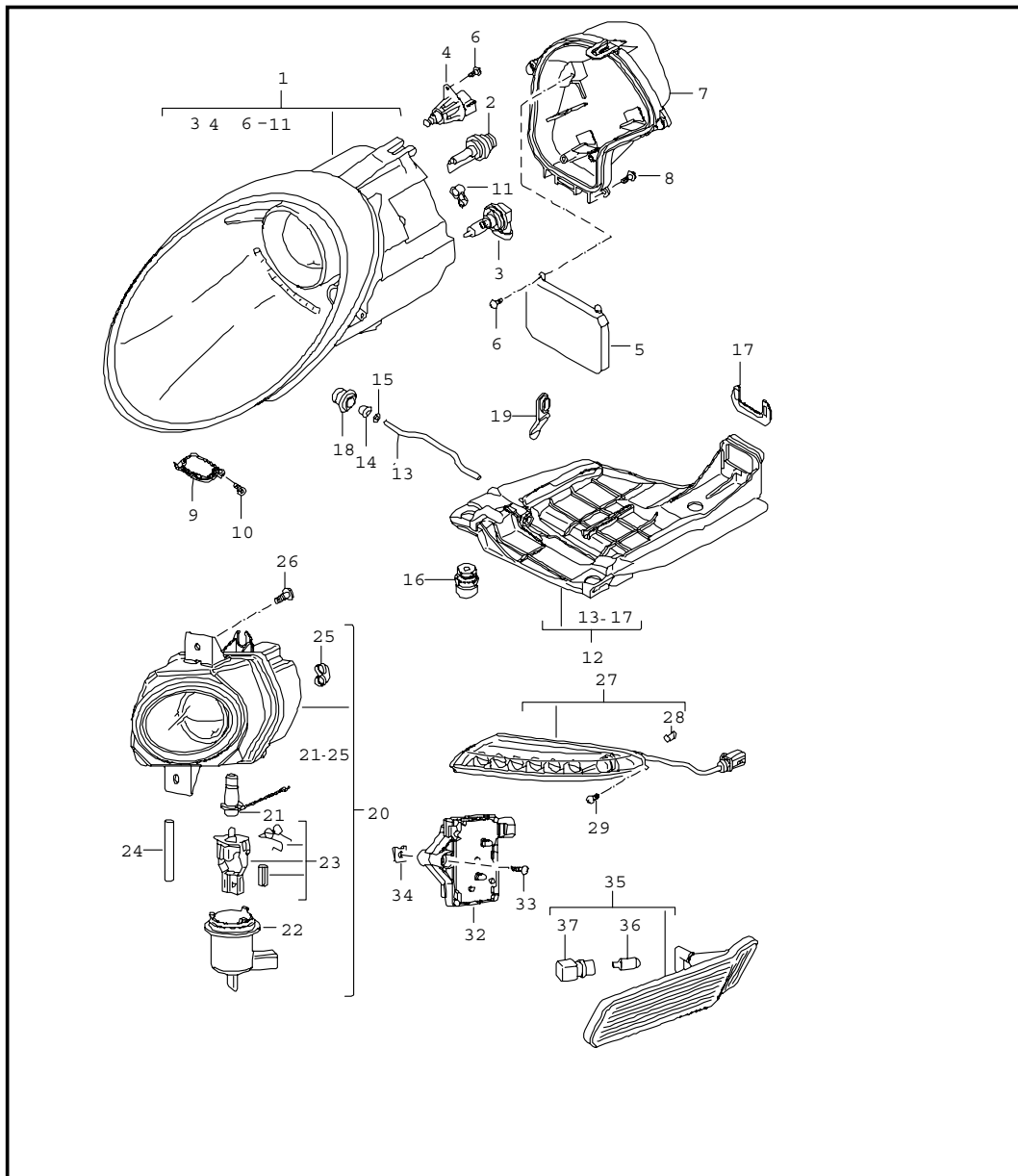
| Pos | Part Number | Name | Remarks | Qty | Model |
|------|----------------|---|---------|-----|-------|
| | | windscreen washer system | | | |
| 1 | 997 528 701 01 | water reservoir | | 1 | |
| 2 | 996 528 711 00 | gasket | | 1 | |
| 3 | 997 528 605 00 | filler neck | | 1 | |
| 4 | 996 528 607 00 | cover | | 1 | |
| 5 | 997 528 621 00 | strainer | | 1 | |
| 6 | 996 528 615 01 | bracket | | 1 | |
| - | 999 137 091 40 | socket repair material for bracket 996.528.615.01 | | X | |
| 7 | 900 378 154 09 | hexagon-head bolt AM 8 X 35 SB | | 1 | |
| 8 | 999 702 221 40 | grommet | | 2 | |
| 9 | 997 628 182 00 | pump | | 1 | |
| 10 | 431 955 465 B | gasket | | 2 | |
| 11 | 955 628 105 00 | tank gauge | | 1 | |
| 12 | 955 528 721 00 | gasket | | 1 | |
| 13 | 999 181 347 40 | breather pipe 273 MM | | * | |
| - | 999 181 815 40 | hose 5,0 X 2,5 | | * | |
| 14 | - | 375 MM | | 1 | |
| 15 | - | 650 MM | | 1 | |
| 16 | - | 97 MM | | 1 | |
| 17 | - | 347 MM | | 1 | |
| (18) | 999 137 005 40 | t-piece | | 1 | |
| 19 | 996 628 077 03 | nozzle | | 2 | |
| 20 | 999 901 017 42 | window cleaner 250 ML summer | | X | |
| | | - - - E N D - - - | | | |

| | | | | | | | | | | | |
|-------|------|----|----|--------------|--------------|--------|-------|------------|---------|-----|---------|
| Model | Year | MG | SG | Illustration | Restrictions | Update | 10:13 | 30.08.2006 | PORSCHE | PET | PORSCHE |
| 997t | 07 | 9 | 04 | 904-20 | | 203 | | | | | |



| Pos | Part Number | Name | Remarks | Qty | Model |
|-----|----------------|-------------------------|---------|-----|-------|
| | | headlight washer system | | | I288 |
| 1 | 997 624 502 00 | pump | | 1 | |
| 2 | 928 628 193 00 | gasket | | 1 | |
| - | 000 043 204 79 | hose 8 X 3 | | * | |
| 3 | - | 890 MM | | 1 | |
| 4 | 996 628 204 00 | quick-connecting lock | | 1 | |
| 5 | 997 628 208 00 | hose connection | | 1 | |
| - | 999 181 760 40 | hose 10 X 3 | | * | |
| 6 | - | 405 MM | | | |
| 7 | - | 2340 MM | | | |
| 8 | 997 628 207 00 | t-piece | | 1 | |
| 9 | 997 628 205 00 | quick-connecting lock | | 3 | |
| 10 | 997 628 133 00 | nozzle | | 2 | |
| 11 | 997 628 231 00 | nozzle head | | 2 | |
| | | - - - E N D - - - | | | |

| | | | | | | | | | | | |
|-------|------|----|----|--------------|--------------|--------|-------|------------|---------|-----|---------|
| Model | Year | MG | SG | Illustration | Restrictions | Update | 10:13 | 30.08.2006 | PORSCHE | PET | PORSCHE |
| 997t | 07 | 9 | 05 | 905-00 | | 203 | | | | | |

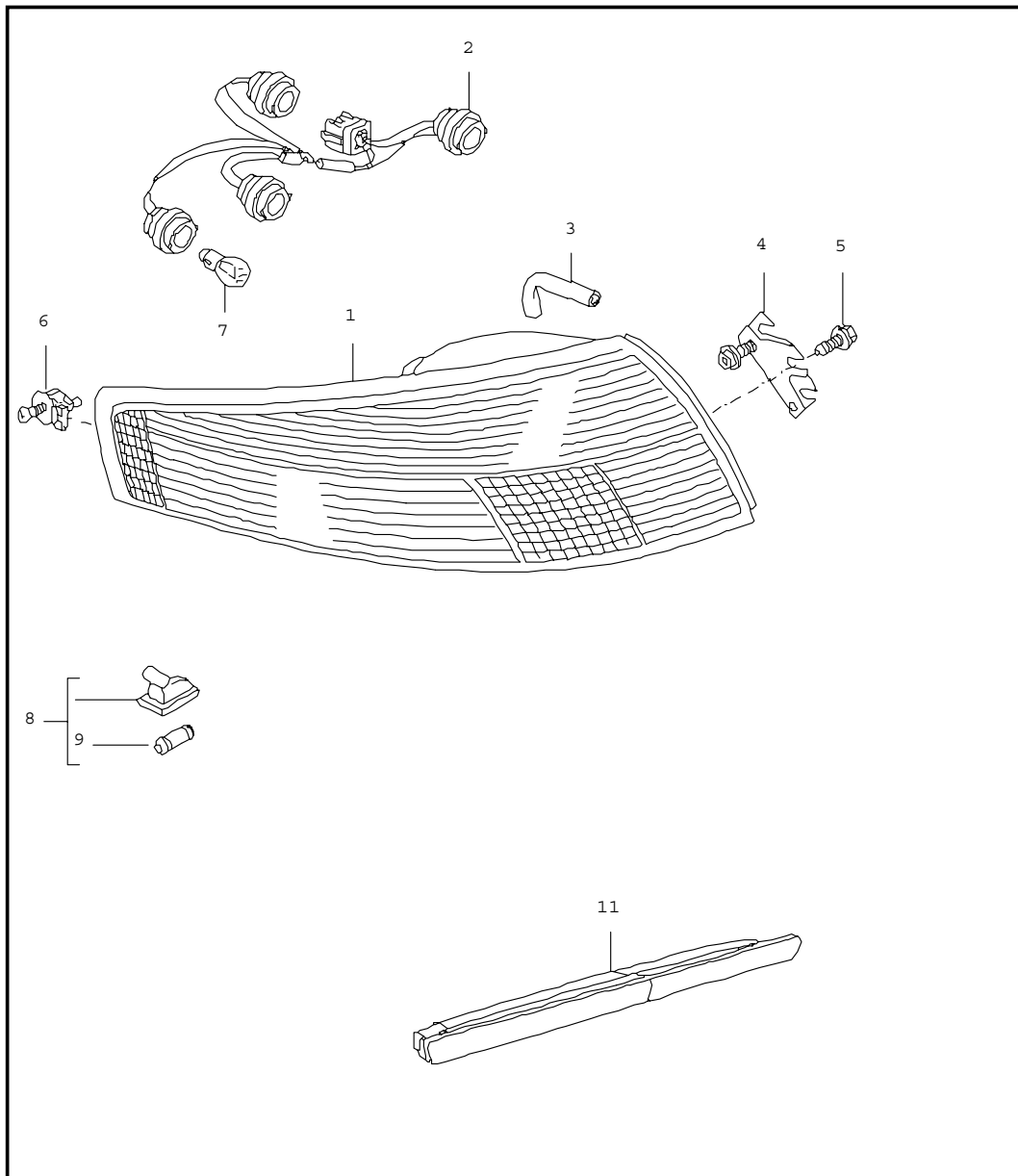


| Pos | Part Number | Name | Remarks | Qty | Model |
|------|----------------|---|---------|-----|-------|
| | | headlamp fog headlamp direction indicator light side turn signal | | | I601 |
| | | headlamp without control unit and bulb XENON | | | |
| 1 | 997 631 157 02 | headlamp | /L | 1 | |
| (1) | 997 631 158 02 | headlamp | /R | 1 | |
| 1 | 997 631 157 12 | headlamp | /L | 1 | I492 |
| (1) | 997 631 158 12 | headlamp | /R | 1 | I492 |
| 2 | 999 631 036 90 | bulb - PHILIPS - | | 2 | |
| 3 | 999 631 144 91 | halogen bulb H 11 | | 2 | |
| 4 | 997 631 141 00 | electric motor headlight levelling system | | 2 | |
| 5 | 997 631 183 00 | control unit | | 2 | |
| 6 | 997 631 199 00 | screw | | 6 | |
| 7 | 997 631 101 00 | protective cap | /L | 1 | |
| (7) | 997 631 102 00 | protective cap | /R | 1 | |
| 8 | 997 631 191 00 | screw | | 8 | |
| 9 | 997 631 149 00 | ventilation component | /L | 1 | |
| (9) | 997 631 150 00 | ventilation component | /R | 1 | |
| 10 | 997 631 153 00 | screw | | 4 | |
| 11 | 997 631 249 00 | ventilation component | | 2 | |
| 12 | 997 631 073 01 | mounting | /L | 1 | |
| (12) | 997 631 074 01 | mounting | /R | 1 | |
| 13 | 997 631 273 01 | clamping bow | | 2 | |
| 14 | 997 631 272 00 | bearing sleeve | | 2 | |
| 15 | 900 116 004 09 | lock washer | | 2 | |
| 16 | 997 631 194 00 | fastening part | | 6 | |

| | | | | | | | | | | | |
|-------|------|----|----|--------------|--------------|--------|-------|------------|---------|-----|---------|
| Model | Year | MG | SG | Illustration | Restrictions | Update | 10:13 | 30.08.2006 | PORSCHE | PET | PORSCHE |
| 997t | 07 | 9 | 05 | 905-00 | | 203 | | | | | |

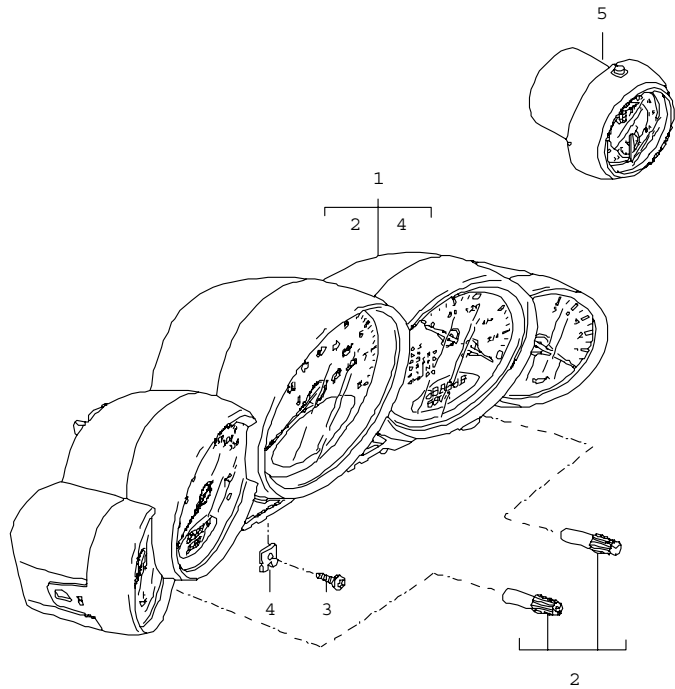
| Pos | Part Number | Name | Remarks | Qty | Model | Pos | Part Number | Name | Remarks | Qty | Model |
|------|----------------|--|---------|-----|-------|-----|----------------|-----------------------|---------|-----|-------|
| 17 | 997 631 245 00 | locking device connector housing | | 2 | | 36 | 999 631 138 90 | bulb 5 W yellow | | 2 | |
| 18 | 999 703 413 40 | plug | | 2 | | 37 | 997 631 133 00 | bulb holder | | 2 | |
| 19 | 993 631 170 03 | plug | | 4 | | | | - - - E N D - - - | | | |
| | | fog headlamp | | | | | | | | | |
| 20 | 997 631 071 01 | fog headlamp | /L | 1 | | | | | | | |
| (20) | 997 631 072 01 | fog headlamp | /R | 1 | | | | | | | |
| 21 | 900 631 126 90 | halogen bulb H 3 | | 2 | | | | | | | |
| 22 | 997 631 171 01 | cap | | 2 | | | | | | | |
| 23 | 997 631 919 01 | repair kit bulb holder | | 2 | | | | | | | |
| 24 | 997 631 302 00 | breather adapter | | 2 | | | | | | | |
| 25 | 997 631 304 00 | breather adapter | | 2 | | | | | | | |
| 26 | 999 073 231 09 | tapping screw 4,8 X 16 | | 4 | | | | | | | |
| | | direction indicator light | | | | | | | | | |
| 27 | 997 631 091 01 | direction indicator light | /L | 1 | | | | | | | |
| (27) | 997 631 092 01 | direction indicator light when required order also: | /R | 1 | | | | | | | |
| - | 999 902 049 40 | velcro fastener | | 2 | | | | | | | |
| 28 | 999 631 033 90 | bulb W 5 W BLUE VISION position light | | 2 | | | | | | | |
| 29 | 999 073 080 02 | tapping screw 4,2 X 16 | | 2 | | | | | | | |
| 32 | 997 618 201 00 | control unit direction indicator light | | 2 | | | | | | | |
| 33 | 999 073 376 01 | tapping screw 6,3 X 45 | | 2 | | | | | | | |
| 34 | 999 507 003 02 | speed nut 6,3 | | 2 | | | | | | | |
| | | side turn signal | | | | | | | | | |
| 35 | 997 631 033 01 | side turn signal | /L | 1 | | | | | | | |
| (35) | 997 631 034 01 | side turn signal | /R | 1 | | | | | | | |

| | | | | | | | | | | | |
|-------|------|----|----|--------------|--------------|--------|-------|------------|---------|-----|---------|
| Model | Year | MG | SG | Illustration | Restrictions | Update | 10:13 | 30.08.2006 | PORSCHE | PET | PORSCHE |
| 997t | 07 | 9 | 05 | 905-05 | | 203 | | | | | |



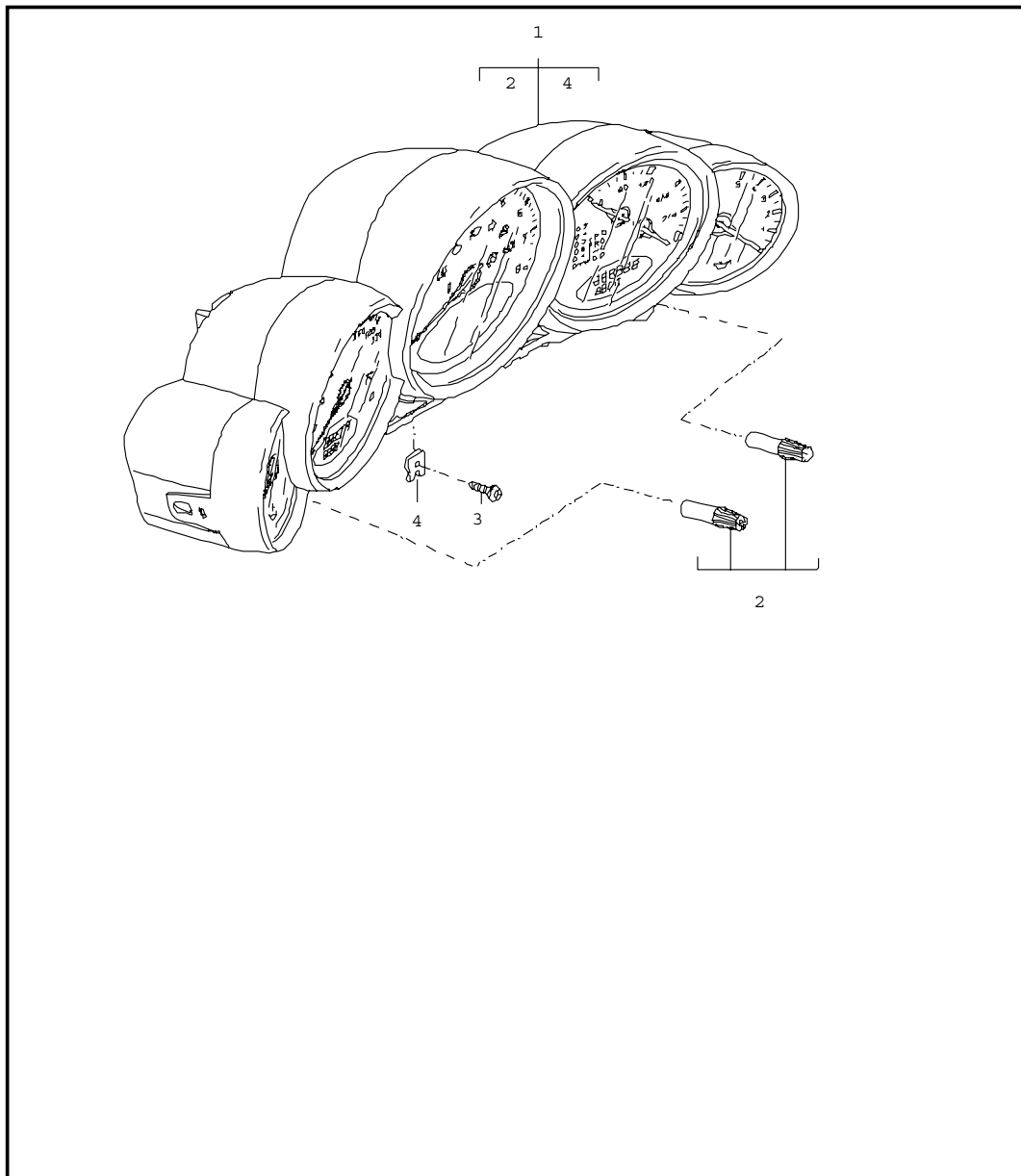
| Pos | Part Number | Name | Remarks | Qty | Model |
|-----|----------------|--|---------|-----|-------|
| | | rear light license plate light additional stoplamp | | | |
| 1 | 997 631 485 03 | rear light housing | /L | 1 | |
| (1) | 997 631 486 03 | rear light housing | /R | 1 | |
| 2 | 997 631 436 00 | wiring harness | | 2 | |
| 3 | 997 631 451 00 | breather adapter | | 4 | |
| 4 | 997 631 463 01 | support | /L | 1 | |
| (4) | 997 631 464 01 | support | /R | 1 | |
| 5 | 900 146 075 09 | screw M 6 X 12 | | 2 | |
| 6 | 997 631 471 00 | mounting | | 2 | |
| 7 | 900 631 018 90 | bulb 21 W white | | X | |
| 7 | 900 631 021 90 | bulb 21 W yellow | | X | |
| (7) | 900 631 022 90 | bulb 21/5 W | | X | |
| 7 | 900 631 017 90 | bulb 21/4 W | | X | |
| 8 | 997 631 620 00 | license plate light | | 2 | |
| 9 | 900 631 025 90 | bulb 12V 5W | | 2 | |
| 10 | 997 631 052 00 | additional stoplamp | | 1 | |
| | | - - - E N D - - - | | | |

| | | | | | | | | | | | |
|-------|------|----|----|--------------|--------------|--------|-------|------------|---------|-----|---------|
| Model | Year | MG | SG | Illustration | Restrictions | Update | 10:13 | 30.08.2006 | PORSCHE | PET | PORSCHE |
| 997t | 07 | 9 | 06 | 906-01 | | 203 | | | | | |



| Pos | Part Number | Name | Remarks | Qty | Model |
|-----|----------------|---|---------|-----|--------------------|
| (1) | 997 641 135 00 | instruments stopwatch | | 1 | I023/480 |
| 1 | 997 641 136 00 | instrument cluster complete | | 1 | I023/249 |
| | D07 | volcano grey | | | |
| (1) | 997 641 137 00 | instrument cluster complete | | 1 | (GB) I023/ I480 |
| | D07 | volcano grey | | | |
| 1 | 997 641 138 00 | instrument cluster complete | | 1 | (GB) I023/ I249 |
| | D07 | volcano grey | | | |
| 2 | 997 641 911 00 | knob actuator tripmeter and clock | | 1 | |
| 3 | 999 073 339 09 | tapping screw 4,2 X 19 | | 2 | |
| 4 | 999 507 403 02 | u-clamp | | 2 | |
| | | stopwatch | | | |
| 5 | 997 641 311 20 | stopwatch | | 1 | I026/639/640 |
| | V05 | galvano silver | | | |
| | | - - - E N D - - - | | | |

| | | | | | | | | | | | |
|-------|------|----|----|--------------|--------------|--------|-------|------------|---------|-----|---------|
| Model | Year | MG | SG | Illustration | Restrictions | Update | 10:14 | 30.08.2006 | PORSCHE | PET | PORSCHE |
| 997t | 07 | 9 | 06 | 906-02 | | 203 | | | | | |

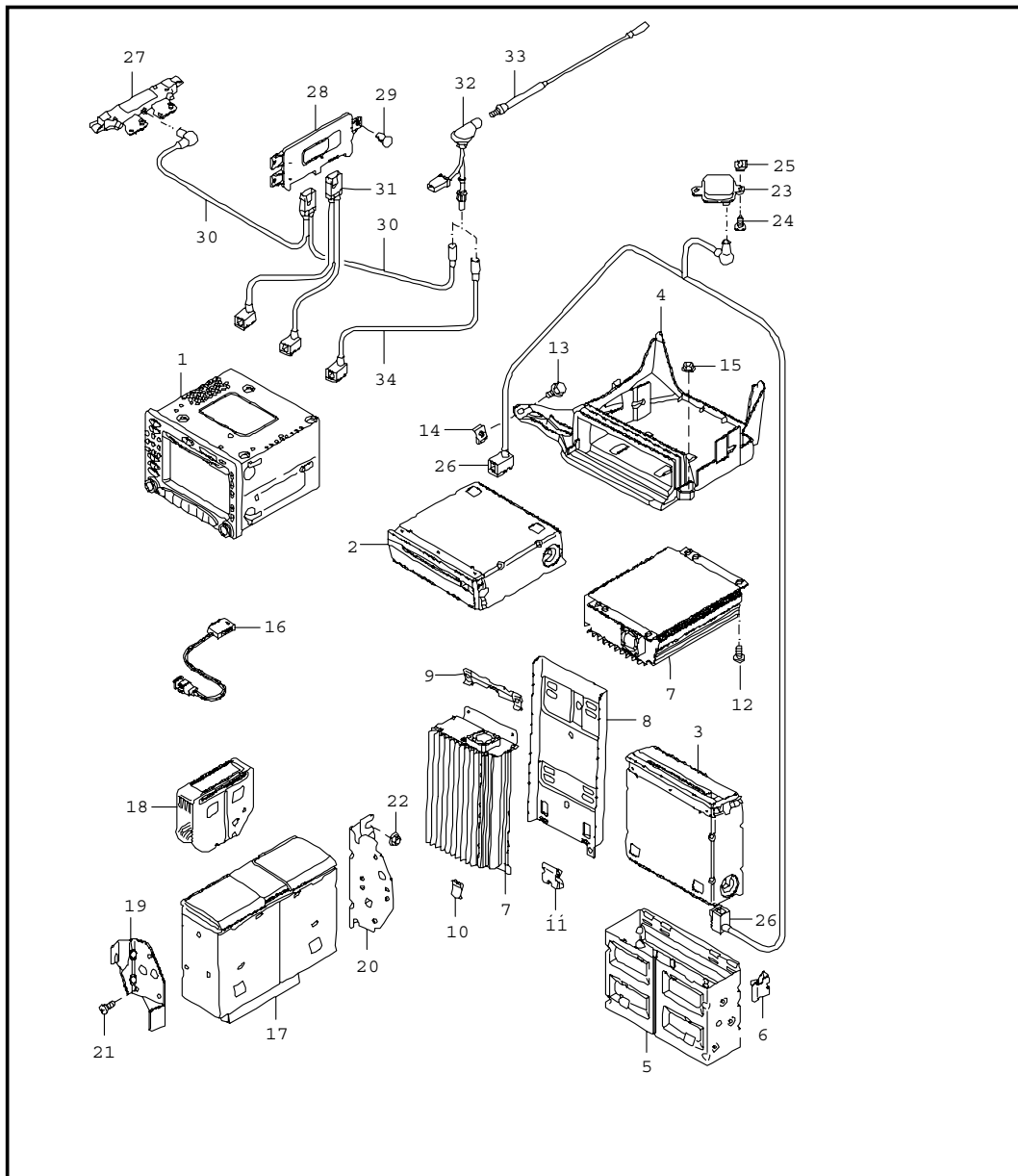


| Pos | Part Number | Name | Remarks | Qty | Model |
|-----|----------------|---|---------|-----|-----------|
| (1) | 997 641 985 05 | instruments exclusive programme instrument cluster complete dial lacquered | | 1 | I480 |
| | 5Z1 | sand beige | | | IXFD |
| | 12H | speed yellow | | | IXFH |
| | B9A | carrara white | | | IXFJ |
| 1 | 997 641 985 06 | instrument cluster complete dial lacquered | | 1 | I249 |
| | 5Z1 | sand beige | | | IXFD |
| | 12H | speed yellow | | | IXFH |
| | B9A | carrara white | | | IXFJ |
| (1) | 997 641 985 07 | instrument cluster complete dial lacquered | | 1 | (GB) I480 |
| | 5Z1 | sand beige | | | IXFD |
| | 12H | speed yellow | | | IXFH |
| | B9A | carrara white | | | IXFJ |
| 1 | 997 641 985 08 | instrument cluster complete dial lacquered | | 1 | (GB) I249 |
| | 5Z1 | sand beige | | | IXFD |
| | 12H | speed yellow | | | IXFH |
| | B9A | carrara white | | | IXFJ |
| 2 | 997 641 911 00 | knob actuator tripmeter and clock | | 1 | |
| 3 | 999 073 339 09 | tapping screw 4,2 X 19 | | 2 | |
| 4 | 999 507 403 02 | u-clamp | | 2 | |

| | | | | | | | | | | | |
|-------|------|----|----|--------------|--------------|--------|-------|------------|---------|-----|---------|
| Model | Year | MG | SG | Illustration | Restrictions | Update | 10:14 | 30.08.2006 | PORSCHE | PET | PORSCHE |
| 997t | 07 | 9 | 06 | 906-02 | | 203 | | | | | |

| Pos | Part Number | Name | Remarks | Qty | Model | Pos | Part Number | Name | Remarks | Qty | Model |
|-----|-------------|-------------------|---------|-----|-------|-----|-------------|------|---------|-----|-------|
| | | - - - E N D - - - | | | | | | | | | |

| | | | | | | | | | | | |
|-------|------|----|----|--------------|--------------|--------|-------|------------|---------|-----|---------|
| Model | Year | MG | SG | Illustration | Restrictions | Update | 10:14 | 30.08.2006 | PORSCHE | PET | PORSCHE |
| 997t | 07 | 9 | 11 | 911-00 | | 203 | | | | | |



| Pos | Part Number | Name | Remarks | Qty | Model |
|-----|----------------|---|---------|-----|----------|
| | | radio control part navigation system booster | | | |
| | | radio see catalogue T E Q U I P M E N T | | | |
| 1 | 997 642 141 03 | control part | | 1 | I665 |
| | FMH | volcano grey/black mat | | | |
| | F | >>997S7 80789 | | | |
| | F | >>997S7 83403 | | | |
| 1 | 997 642 143 03 | control part | | 1 | I665/680 |
| | FMH | volcano grey/black mat | | | |
| | F | >>997S7 80789 | | | |
| | F | >>997S7 83403 | | | |
| 1 N | 997 642 141 10 | control part | | 1 | I665 |
| | FMH | volcano grey/black mat | | | |
| | F | 997S7 80790>> | | | |
| | F | 997S7 83404>> | | | |
| 1 N | 997 642 143 10 | control part | | 1 | I665/680 |
| | FMH | volcano grey/black mat | | | |
| | F | 997S7 80790>> | | | |
| | F | 997S7 83404>> | | | |
| - | 997 642 201 00 | rotary knob | /L | 1 | |
| | A05 | black mat for control part see technical information GR. 9 , NR. 6/04 | | | |
| - | 997 642 202 00 | rotary knob | /R | 1 | |
| | A05 | black mat for control part see technical information GR. 9 , NR. 6/04 | | | |
| - | 900 187 038 02 | tapping screw ST4,2 X 19 for mount radio and control part centre console | | 1 | |

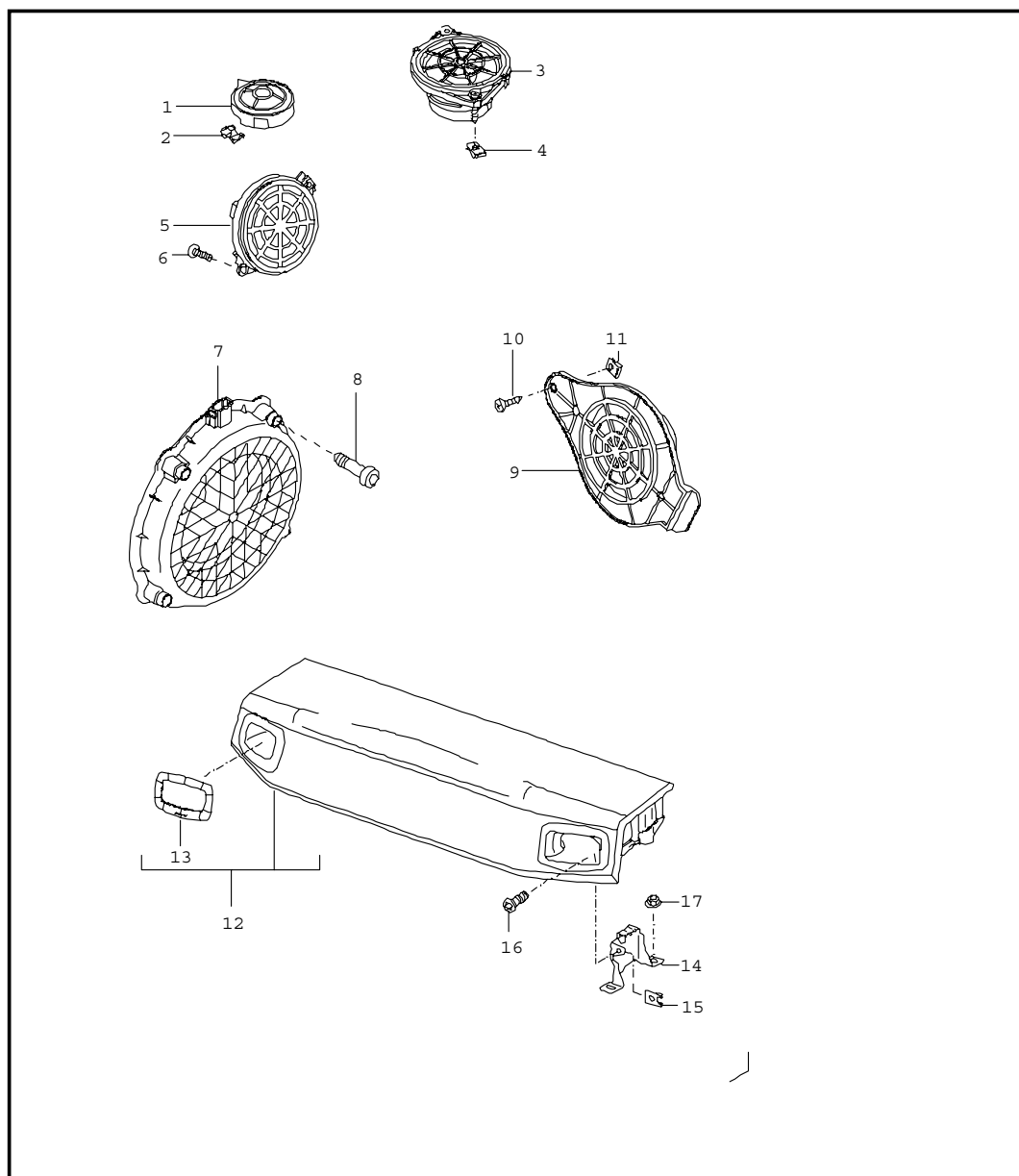
| | | | | | | | | | | | |
|-------|------|----|----|--------------|--------------|--------|-------|------------|---------|-----|---------|
| Model | Year | MG | SG | Illustration | Restrictions | Update | 10:14 | 30.08.2006 | PORSCHE | PET | PORSCHE |
| 997t | 07 | 9 | 11 | 911-00 | | 203 | | | | | |

| Pos | Part Number | Name | Remarks | Qty | Model | Pos | Part Number | Name | Remarks | Qty | Model |
|-----|------------------|---|---------|-----|--------------|-----|----------------|--|---------|-----|-------------------------|
| 2 | 997 642 137 02 | dvd device navigation system F >>997S7 80789 F >>997S7 83403 | /LL | 1 | I098/670/672 | - N | 997 642 259 03 | dvd navigation system F 997S7 80790>> F 997S7 83404>> | | 1 | I611 |
| 2 | N 997 642 157 00 | dvd device navigation system F 997S7 80790>> F 997S7 83404>> | /LL | 1 | I098/670/672 | - N | 997 642 261 03 | dvd navigation system F 997S7 80790>> F 997S7 83404>> | | 1 | I612 |
| 3 | 997 642 139 02 | dvd device navigation system F >>997S7 80789 | /RL | 1 | I099/670/672 | - N | 997 642 263 03 | dvd navigation system F 997S7 80790>> F 997S7 83404>> | | 1 | I613 |
| 3 | 997 642 139 02 | dvd device F >>997S7 83403 navigation system F >>997S7 80789 | | 1 | I664/670/672 | - N | 997 642 265 04 | dvd navigation system F 997S7 80790>> F 997S7 83404>> | | 1 | I614 |
| 3 | N 997 642 159 00 | dvd device navigation system F 997S7 80790>> | /RL | 1 | I099/670/672 | - N | 997 642 267 03 | dvd navigation system F 997S7 80790>> F 997S7 83404>> | | 1 | I616 |
| 3 | N 997 642 159 00 | dvd device F 997S7 83404>> navigation system F 997S7 80790>> | | 1 | I664/670/672 | - | 997 642 148 02 | cd-rom logbook | | 1 | I641 |
| - | 997 642 255 03 | dvd navigation system F >>997S7 80789 F >>997S7 83403 | | 1 | I610 | 4 | 997 645 351 00 | support dvd device and booster | /LL | 1 | I098/490/670 672/680 |
| - | 997 642 259 02 | dvd navigation system F >>997S7 80789 F >>997S7 83403 | | 1 | I611 | 5 | 997 642 231 00 | support dvd device | | 1 | I664/670/672 |
| - | 997 642 261 02 | dvd navigation system F >>997S7 80789 F >>997S7 83403 | | 1 | I612 | (5) | 997 642 335 00 | support dvd device | /RL | 1 | I099/670/672 |
| - | 997 642 263 02 | dvd navigation system F >>997S7 80789 F >>997S7 83403 | | 1 | I613 | 6 | 997 645 342 01 | u-clamp | | 4 | I664/670/672 |
| - | 997 642 265 03 | dvd navigation system F >>997S7 80789 F >>997S7 83403 | | 1 | I614 | (7) | 997 645 331 01 | booster | | 1 | I490 |
| - | N 997 642 255 04 | dvd navigation system F 997S7 80790>> F 997S7 83404>> | | 1 | I610 | 7 | 997 645 334 33 | booster note coding | | 1 | I680 |
| | | | | | | 8 | 997 645 341 01 | support | | 1 | I490/664/680 |
| | | | | | | 9 | 997 645 340 00 | clamp | | 1 | I490/664/680 |
| | | | | | | 9 | 997 645 340 00 | clamp | /RL | 1 | I099/490/680 |
| | | | | | | 10 | 999 507 532 02 | u-clamp | | 2 | I490/664/680 |
| | | | | | | 10 | 999 507 532 02 | u-clamp | /RL | 2 | I099/490/680 |
| | | | | | | 11 | 997 645 342 01 | u-clamp | | 4 | I490/664/680 |

| | | | | | | | | | | | |
|-------|------|----|----|--------------|--------------|--------|-------|------------|---------|-----|---------|
| Model | Year | MG | SG | Illustration | Restrictions | Update | 10:14 | 30.08.2006 | PORSCHE | PET | PORSCHE |
| 997t | 07 | 9 | 11 | 911-00 | | 203 | | | | | |

| Pos | Part Number | Name | Remarks | Qty | Model | Pos | Part Number | Name | Remarks | Qty | Model |
|------|----------------|---|---------|-----|---------------------|------|----------------|--|---------|-----|---------------------------|
| 12 | 999 919 164 09 | oval-head screw 5,0 X 12,0 | /LL | X | I098/490/680 | 28 | 997 647 124 00 | control unit | | 1 | I440 |
| 13 | 900 378 179 09 | hexagon-head bolt M 6 X 16 | /LL | 1 | I098/490/670 680 | 29 | 999 591 904 40 | fastening part | | 2 | I440 |
| 14 | 999 507 766 02 | speed nut M 6 | /LL | 1 | I098/490/670 680 | 30 | 997 612 069 00 | connecting line antenna booster control unit | /LL | 1 | I098/461/665 |
| 15 | 900 377 018 09 | hexagon nut M 6 | /LL | 1 | I098/490/670 680 | 30 | 997 612 069 50 | connecting line antenna booster control unit | /RL | 1 | I099/461/665 |
| 16 | 997 646 307 02 | microphone | | 1 | I680 | (30) | 997 612 055 00 | connecting line antenna booster control unit | /LL | 1 | I098/665 |
| (16) | 997 646 307 01 | microphone | | 1 | I618/666/680 | | | | | | |
| - | 997 610 233 00 | cable guide microphone | | 1 | | (30) | 997 612 056 00 | connecting line antenna booster control unit | /RL | 1 | I099/665 |
| 17 | 997 645 140 03 | cd changer CDC 4 | | 1 | I692 | (30) | 997 612 062 50 | connecting line antenna booster control unit | | 1 | I461/I694 |
| | | installation attention | | | | | | | | | |
| 18 | 996 645 113 00 | rack cd changer | | 1 | I692 | (31) | 997 612 058 00 | connecting line control unit control part or radio | | 1 | I665/I694 I665 I694 |
| 19 | 997 645 233 00 | support | /LL | 1 | I098/692 | | | | | | |
| (19) | 997 645 234 00 | support | /RL | 1 | I099/692 | 32 | 997 647 231 00 | antenna base | | 1 | I461 |
| 20 | 997 645 235 00 | support | | 1 | I692 | 33 | 997 647 233 00 | antenna rod | | 1 | I461 |
| 21 | N 014 128 13 | oval-head screw M 5 X 8 | | 6 | I692 | 34 | 997 612 070 00 | connecting line antenna base radio | | 1 | I461/694 |
| 22 | 900 377 018 09 | hexagon nut M 6 | | 3 | I692 | | | | | | |
| 23 | 997 642 105 00 | antenna GPS | | 1 | I670/672 | | | | | | |
| 24 | 999 073 210 00 | tapping screw 4,8 X 13 | | 1 | I670/672 | | | | | | |
| 25 | 999 507 441 02 | speed nut 4,8 | | 1 | I670/672 | | | | | | |
| 26 | 997 612 060 25 | connecting line antenna dvd device navigation system | | 1 | I670/672 | | | | | | |
| 27 | 997 647 117 00 | antenna booster | /L | 1 | I440 | | | | | | |
| (27) | 997 647 118 00 | antenna booster | /R | 1 | I440 | | | | | | |
| | | | | | | | | - - - E N D - - - | | | |

| | | | | | | | | | | | |
|-------|------|----|----|--------------|--------------|--------|-------|------------|---------|-----|---------|
| Model | Year | MG | SG | Illustration | Restrictions | Update | 10:14 | 30.08.2006 | PORSCHE | PET | PORSCHE |
| 997t | 07 | 9 | 11 | 911-05 | | 203 | | | | | |

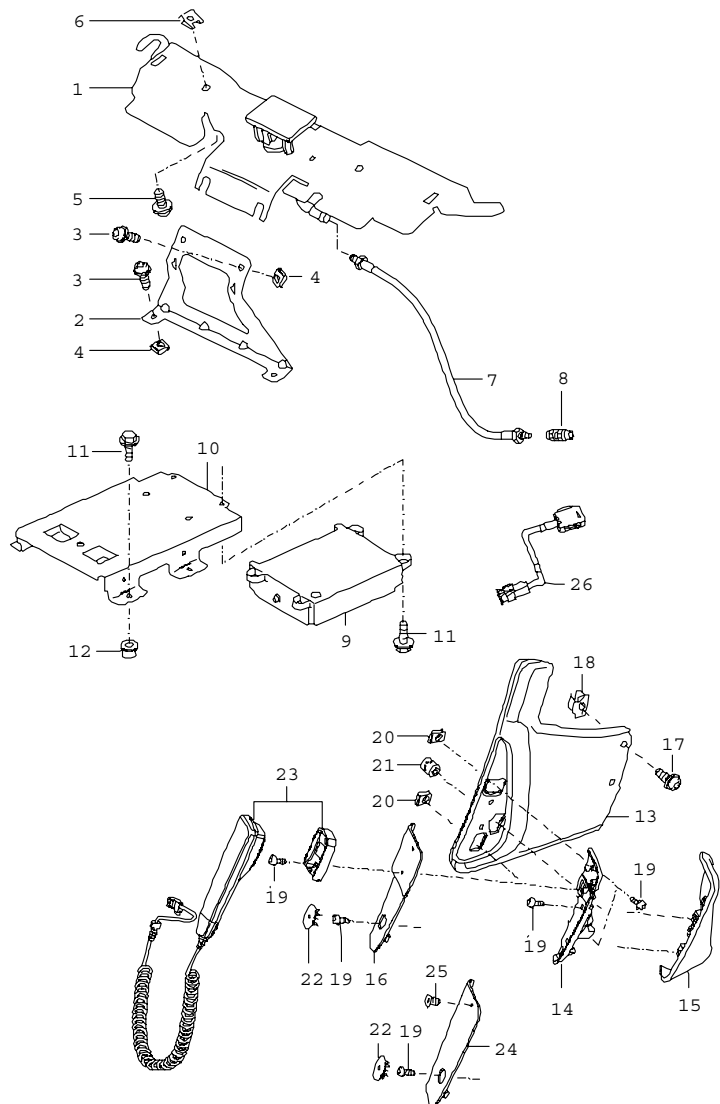


| Pos | Part Number | Name | Remarks | Qty | Model |
|-----|----------------|-------------------------------|---------|-----|-------|
| 1 | 997 645 021 00 | loudspeaker tweeter dashboard | | 2 | I490 |
| (1) | 997 645 025 00 | tweeter dashboard | | 2 | I680 |
| 2 | 999 591 303 01 | u-clamp | | 4 | |
| 3 | 997 645 033 00 | loudspeaker dashboard centre | | 1 | I490 |
| (3) | 997 645 035 00 | loudspeaker dashboard centre | | 1 | I680 |
| 4 | 999 507 971 01 | speed nut 4,2 | | 4 | |
| 5 | 997 645 543 00 | mid-range loudspeaker door | | 2 | I490 |
| (5) | 997 645 545 00 | mid-range loudspeaker door | | 2 | I680 |
| 6 | 999 919 164 09 | oval-head screw 5,0 X 12 | | 4 | |
| 7 | 997 645 553 00 | woofer | | 2 | I490 |
| (7) | 997 645 555 00 | woofer | | 2 | I680 |
| 8 | N 014 743 2 | pan-head screw M 6 X 30 | | 8 | |
| 9 | 997 645 041 01 | loudspeaker rear | | 2 | I490 |
| (9) | 997 645 045 01 | loudspeaker rear | | 2 | I680 |
| 10 | 999 073 225 09 | tapping screw 4,8 X 16 | | 2 | |
| 11 | 999 507 441 09 | speed nut 4,8 | | 2 | |
| | | subwoofer | | | |
| 12 | 997 645 564 00 | subwoofer | | 1 | I680 |
| | FMF | black | | | |
| | FMG | stone grey | | | |
| | FMM | sand beige | | | |

| | | | | | | | | | | | |
|-------|------|----|----|--------------|--------------|--------|-------|------------|---------|-----|---------|
| Model | Year | MG | SG | Illustration | Restrictions | Update | 10:14 | 30.08.2006 | PORSCHE | PET | PORSCHE |
| 997t | 07 | 9 | 11 | 911-05 | | 203 | | | | | |

| Pos | Part Number | Name | Remarks | Qty | Model | Pos | Part Number | Name | Remarks | Qty | Model |
|------|----------------|-----------------------------------|---------|-----|-------|-----|-------------|------|---------|-----|-------|
| | | FMN sea blue | | | | | | | | | |
| | | FMO palmgreen | | | | | | | | | |
| | | FMP terracotta | | | | | | | | | |
| | | FMQ cocoa | | | | | | | | | |
| | | FMR dark grey/natural | | | | | | | | | |
| | | FMS brown/natural | | | | | | | | | |
| 13 | 996 645 568 00 | rose | | 2 | I680 | | | | | | |
| | A03 | black | | | | | | | | | |
| | 5V7 | stone grey | | | | | | | | | |
| | 5Z1 | sand beige | | | | | | | | | |
| | 8W7 | sea blue | | | | | | | | | |
| | 5Y2 | palmgreen | | | | | | | | | |
| | 8X8 | terracotta | | | | | | | | | |
| | 8P9 | cocoa | | | | | | | | | |
| | T13 | brown/natural | | | | | | | | | |
| (14) | 996 645 245 00 | support | /L | 1 | I680 | | | | | | |
| 14 | 996 645 246 00 | support | /R | 1 | I680 | | | | | | |
| 15 | 999 507 766 02 | speed nut M 6 | | 2 | I680 | | | | | | |
| 16 | 999 073 113 09 | oval-head screw M 6,0 X 50 ASP | | 2 | I680 | | | | | | |
| 17 | 900 380 015 09 | hexagon nut VM 6 | | 4 | I680 | | | | | | |
| | | - - - E N D - - - | | | | | | | | | |

| | | | | | | | | | | | |
|-------|------|----|----|--------------|--------------|--------|-------|------------|---------|-----|---------|
| Model | Year | MG | SG | Illustration | Restrictions | Update | 10:14 | 30.08.2006 | PORSCHE | PET | PORSCHE |
| 997t | 07 | 9 | 11 | 911-10 | | 203 | | | | | |



| Pos | Part Number | Name | Remarks | Qty | Model |
|-----|----------------|---|---------|-----|-----------|
| | | telephone | | | I618/I666 |
| 1 | 997 647 125 01 | antenna | /LL | 1 | I098 |
| (1) | 997 647 126 01 | antenna | /RL | 1 | I099 |
| 2 | 997 647 127 00 | support | /LL | 1 | I098 |
| (2) | 997 647 128 00 | support | /RL | 1 | I099 |
| 3 | 999 073 236 0A | oval-head screw M 6 X 10 | | 4 | |
| 4 | 999 507 550 0A | speed nut M 6 | | 4 | |
| 5 | 999 073 210 00 | tapping screw 4,8 X 13 | | 2 | |
| 6 | 999 507 441 02 | speed nut 4,8 | | 2 | |
| (7) | 997 612 989 05 | connecting line | | 1 | I666 |
| 8 | 964 646 318 00 | adapter plug | | 1 | I618 |
| 9 | 997 646 208 13 | control unit telephone F >>997S7 80789 F >>997S7 83403 | | 1 | I666 |
| 9 N | 997 646 209 00 | control unit telephone F 997S7 80790>> F 997S7 83403>> | | 1 | I666 |
| 10 | 997 642 216 00 | support | | 1 | I618/666 |
| 11 | 900 378 035 09 | hexagon-head bolt M 6 X 16 | | 4 | I618/666 |
| 12 | 999 500 078 00 | speed nut M 6 | | 2 | I618/666 |
| 13 | 997 553 118 07 | cover lateral | /LL | 1 | I098 |
| | FSA | black/grey | | | |
| | FSB | stone grey/stone grey | | | |
| | FSC | sand beige/sand beige | | | |
| | FSD | seeblue/grey | | | |
| | FSE | palm-green/palm-green | | | |
| | FSF | terrakotta/terrakotta | | | |

| | | | | | | | | | | | |
|-------|------|----|----|--------------|--------------|--------|-------|------------|---------|-----|---------|
| Model | Year | MG | SG | Illustration | Restrictions | Update | 10:14 | 30.08.2006 | PORSCHE | PET | PORSCHE |
| 997t | 07 | 9 | 11 | 911-10 | | 203 | | | | | |

| Pos | Part Number | Name | Remarks | Qty | Model | Pos | Part Number | Name | Remarks | Qty | Model |
|------|-----------------------|-----------------------|---------|-----|-------|------------|-------------------|-------------------|---------|-----|--------------|
| (13) | FSG | cocoa/cocoa | | | | | 3S9 | sea blue | | | |
| | FSH | darkgrey natural/grey | | | | | 4P2 | palmgreen | | | |
| | FSJ | brown nat./brown nat. | | | | | 9S5 | terracotta | | | |
| | 997 553 117 07 | cover lateral | /RL | 1 | I099 | | 9V6 | cocoa | | | |
| | FSA | black/grey | | | | | D12 | dark grey/natural | | | |
| | FSB | stone grey/stone grey | | | | | T12 | brown/natural | | | |
| | FSC | sand beige/sand beige | | | | 16 | 997 553 522 00 | plate | /LL | 1 | I098/668 |
| | FSD | seeblue/grey | | | | | 01C | satin black | | | |
| | FSE | palm-green/palm-green | | | | (16) | 997 553 521 00 | plate | /RL | 1 | I099/668 |
| | FSF | terrakotta/terrakotta | | | | | 01C | satin black | | | |
| | FSG | cocoa/cocoa | | | | 16 | 997 553 986 00 | plate leather | /LL | 1 | IXEA/098/668 |
| FSH | darkgrey natural/grey | | | | | A11 | black | | | | |
| FSJ | brown nat./brown nat. | | | | | 5X6 | stone grey | | | | |
| 14 | 997 553 520 00 | adapter | /LL | 1 | I098 | 8G2 | sand beige | | | | |
| (14) | 997 553 519 00 | adapter | /RL | 1 | I099 | 3S9 | sea blue | | | | |
| 15 | 997 553 418 01 | cover | /LL | 1 | I098 | 4P2 | palmgreen | | | | |
| | A11 | black | | | | 9S5 | terracotta | | | | |
| | 5X6 | stone grey | | | | 9V6 | cocoa | | | | |
| | 8G2 | sand beige | | | | D12 | dark grey/natural | | | | |
| | 3S9 | sea blue | | | | T12 | brown/natural | | | | |
| | 4P2 | palmgreen | | | | (16) | 997 553 985 00 | plate leather | /RL | 1 | IXEA/099/668 |
| | 9S5 | terracotta | | | | A11 | black | | | | |
| | 9V6 | cocoa | | | | 5X6 | stone grey | | | | |
| | D12 | dark grey/natural | | | | 8G2 | sand beige | | | | |
| | T12 | brown/natural | | | | 3S9 | sea blue | | | | |
| | (15) | 997 553 417 01 | cover | /RL | 1 | I099 | 4P2 | palmgreen | | | |
| A11 | black | | | | 9S5 | terracotta | | | | | |
| 5X6 | stone grey | | | | 9V6 | cocoa | | | | | |
| 8G2 | sand beige | | | | | | | | | | |

| | | | | | | | | | | | |
|-------|------|----|----|--------------|--------------|--------|-------|------------|---------|-----|---------|
| Model | Year | MG | SG | Illustration | Restrictions | Update | 10:14 | 30.08.2006 | PORSCHE | PET | PORSCHE |
| 997t | 07 | 9 | 11 | 911-10 | | 203 | | | | | |

| Pos | Part Number | Name | Remarks | Qty | Model | Pos | Part Number | Name | Remarks | Qty | Model |
|-----|----------------|----------------------------------|---------|-----|----------|------|----------------|----------------------------------|---------|-----|--------------------|
| | D12 | dark grey/natural | | | | | 4P2 | palmgreen | | | |
| | T12 | brown/natural | | | | | 9S5 | terracotta | | | |
| 17 | 999 073 226 09 | tapping screw 4,2 X 16 | | 2 | | | 9V6 | cocoa | | | |
| 18 | 999 591 508 02 | captive nut 4,2 | | 2 | | | D12 | dark grey/natural | | | |
| 19 | 999 073 155 09 | tapping screw 4,2 X 13 | | 7 | | 24 | 997 553 522 01 | plate | /LL | 1 | I098/618 |
| 20 | 999 507 971 01 | speed nut 4,2 | | 2 | | | 01C | satin black | | | |
| 21 | 999 507 645 02 | threaded piece 4,2 | | 1 | | (24) | 997 553 521 01 | plate | /RL | 1 | I099/618 |
| 22 | 997 553 751 00 | cap | | 1 | | | 01C | satin black | | | |
| 22 | 997 553 984 00 | cap leather | | 1 | IXEA | 25 | 999 919 230 00 | countersunk-head screw 3 X 10 | | 1 | I618 |
| | A11 | black | | | | 26 | 997 646 307 01 | microphone | | 1 | I618/I666/ I680 |
| | 5X6 | stone grey | | | | - | 997 610 233 00 | cable guide microphone | | 1 | |
| | 8G2 | sand beige | | | | | | | | | |
| | 3S9 | sea blue | | | | | | | | | |
| | 4P2 | palmgreen | | | | | | | | | |
| | 9S5 | terracotta | | | | | | | | | |
| | 9V6 | cocoa | | | | | | | | | |
| | D12 | dark grey/natural | | | | | | | | | |
| | T12 | brown/natural | | | | | | | | | |
| 23 | 996 642 212 02 | receiver telephone | | 1 | I668 | | | | | | |
| 23 | 996 642 980 15 | receiver telephone leather | | 1 | IXEA/668 | | | | | | |
| | A11 | black | | | | | | | | | |
| | 5X6 | stone grey | | | | | | | | | |
| | 8G2 | sand beige | | | | | | | | | |
| | 3S9 | sea blue | | | | | | | | | |

- - - E N D - - -

MXI KAT30

| KAT. | M-X-I-NR | BENENNUNG-Deutsch DESCRIPTION-Engl ish |
|------|----------|---|
| 30 | I XAA | Aerokit Cup Aerokit cup |
| 30 | I XAF | Aerokit Turbo Turbo aerokit |
| 30 | I XAG | Carrera - Heckspoiler Carrera - rear spoiler |
| 30 | I XAH | Aerokit Carrera 4S Carrera 4S aerokit |
| 30 | I XAJ | Schwellerblenden lackiert Painted sill covers |
| 30 | I XCA | Nutleiste (3-teilig) Sportsilber Dashboard trim strip (3-part) sports seats |
| 30 | I XCB | Instrumentenabdeckung Unterteil Sportsilber Instrument surround sports seats |
| 30 | I XCC | Seitendüsen Sportsilber Side air vents sports seats |
| 30 | I XCD | Mitteldüsenträger Sportsilber Center air vent bracket sports seats |
| 30 | I XCE | Mittelkonsole hinten Sportsilber Rear center console sports seats |
| 30 | I XCG | Sportsitzrückenlehne Alu-Optik Sports seat backrest in Alumi ni um-Look fi ni sh |
| 30 | I XCH | Seiten-/Mitteldüsenlamellen Sportsilber Side/center air vent slats sport seats |
| 30 | I XCK | Mittelkonsole hinten Galvanosilber Rear center console in Galvano Silver |
| 30 | I XCL | Instrumentenabdeckung Unterteil Galvanosilber Instrument surround in Galvano Silver |
| 30 | I XCM | Überrollbügel in Galvanosilber Roll-over bar in Galvano Silver |
| 30 | I XCN | Seitendüsen in Alu-Optik (997) Side air vents in Alumi ni um-Look fi ni sh (997) |
| 30 | I XCY | Mitteldüse Alu-Optik Center air vent in Alumi ni um-Look fi ni sh |
| 30 | I XCZ | Schalwegverkürzung Switch travel shortening |
| 30 | I XD9 | Felgenstern in Wagenfarbe lackiert Wheel painted in body colour |
| 30 | I XEA | Passivhörer in Leder Passive handset in leather |
| 30 | I XE8 | Schaltnopf Alu/Wurzelholz Dunkel/Leder Gear lever knob alumi ni um/dark burr maple/leather |
| 30 | I XE9 | Handbremshebel Alu/Wurzelholz Dunkel/Leder Handbrake lever alumi ni um/dark burr maple/leather |
| 30 | I XFD | Instrumenten-Zifferblatt lackiert in sandbeige Instrument dials in sand beige |
| 30 | I XFE | Instrumenten-Zifferblatt lackiert in terrakotta Instrument dials in terrakotta |
| 30 | I XFF | Instrumenten-Zifferblatt lackiert in braun/natur Instrument dials in brown/natural |
| 30 | I XFG | Instrumenten-Zifferblatt lackiert in indischrot Instrument dials in guards red |
| 30 | I XFH | Instrumenten-Zifferblatt lackiert in speedgelb Instrument dials in speedyellow |
| 30 | I XFJ | Instrumenten-Zifferblatt lackiert in carraraweiß Instrument dials in carrara white |
| 30 | I XGB | Zierblende Schalftafel, Carbon Decorative dashboard trim, carbon |
| 30 | I XGC | Schalftafel Carbon/Alcantara Dashboard carbon/Alcantara |

MXI KAT30

| | | |
|----|-------|--|
| 30 | I XGD | Handbremshebel Carbon/Al cantara Parking brake handle carbon/Al cantara |
| 30 | I XJL | Luftseitendüse Makassar Macassar side air vent |
| 30 | I XJM | Luftseitendüse Platane Sycamore side air vent |
| 30 | I XJN | Mitteldüse Makassar Macassar center air vent |
| 30 | I XJP | Mitteldüse Platane Sycamore center air vent |
| 30 | I XJR | Defrosterblende Makassar Macassar windscreen defroster panel |
| 30 | I XJS | Defrosterblende Platane Sycamore windscreen defroster panel |
| 30 | I XJT | Mittelkonsole hinten Makassar Macassar rear center console |
| 30 | I XJU | Mittelkonsole hinten Platane Sycamore rear center console |
| 30 | I XJ4 | Rosette für Zündschloss Lederbezogen Leather cover for ignition lock surround |
| 30 | I XKB | Luftseitendüse Wurzelholz/Ahorn hell Side air vent in light burr maple |
| 30 | I XKC | Luftseitendüse Wurzelholz/Ahorn dunkel Side air vent in dark burr maple |
| 30 | I XKD | Luftseitendüse carbon Side air vent in carbon |
| 30 | I XKG | Defrosterblende Wurzelholz/Ahorn hell, Leder "Windscr. defr. panel in light burr maple; leather" |
| 30 | I XKH | Defrosterblende Wurzelholz/Ahorn dunkel, Leder "Windscr. defr. panel in dark burr maple; leather" |
| 30 | I XKJ | Defrosterblende Carbon/Leder Defroster trim in carbon/leather |
| 30 | I XKL | Lautsprecherabdeckungen in Leder Leather speaker covers |
| 30 | I XKM | Lautsprecherabdeckungen Wurzelholz/Ahorn hell Speaker covers in light burr maple |
| 30 | I XKN | Lautsprecherabdeckungen Wurzelholz/Ahorn dunkel Speaker covers in dark burr maple |
| 30 | I XKP | Lautsprecherabdeckungen in Carbon Carbon speaker covers |
| 30 | I XKR | Mitteldüsenträger Wurzelholz/Ahorn hell Center air vent bracket in light burr maple |
| 30 | I XKS | Mitteldüsenträger Wurzelholz/Ahorn dunkel Center air vent bracket in dark burr maple |
| 30 | I XLA | Boxster-Endrohr Boxster tail pipe |
| 30 | I XLF | Sportabgasanlage, Sports exhaust system |
| 30 | I XMA | Himmel mit Leder bezogen Rooflining in leather |
| 30 | I XME | Mittelkonsole hinten lackiert Rear section of centre console painted |
| 30 | I XMF | Mittelkonsole vorn inklusive 2 Ablagen, Leder Front center console incl. 2 storage bins, leather |
| 30 | I XMJ | Mittelkonsole hinten Carbon Rear section of centre console in carbon |
| 30 | I XMK | Überrollbügel in Exterieurfarbe Roll-over bar in exterior color |
| 30 | I XML | Mittelkonsole hinten Wurzelholz Ahorn hell Rear center console in light burr maple |
| 30 | I XMP | Sonnenblende Leder, 2 Make-up-Spiegel beleuchtet Leather sun visor, 2 lit make-up mirrors illuminated |
| 30 | I XMR | Sonnenblende Leder, 2 Make-Up-Spiegel beleuchtet Sun visor in leather, 2 illuminated vanity mirrors |

MXI KAT30

| | | |
|----|-------|--|
| 30 | I XMZ | Mittelkonsole hinten Leder Rear section of centre console in leather |
| 30 | I XNB | Mittelkonsole hinten Wurzelholz Ahorn dunkel Rear center console in dark burr maple |
| 30 | I XNG | Instrumentenabdeckung Unterteil Leder Instrument surround in leather |
| 30 | I XNN | Mitteldüsenträger in Leder Center air vent bracket in leather |
| 30 | I XNR | Mitteldüsenträger Carbon Carbon center air vent bracket |
| 30 | I XNS | Lenkstock-Verkleidung 4-teilig Leder Leather steering column trim, 4-part |
| 30 | I XNU | Zierleiste (Nut) in Leder Leather trim strip (dashboard) |
| 30 | I XNV | Zierleiste (Nut) Wurzelholz/Ahorn hell Trim strip (dashboard) in light burr maple |
| 30 | I XNW | Zierleiste (Nut) Wurzelholz/Ahorn dunkel Trim strip (dashboard) in dark burr maple |
| 30 | I XNX | Zierleiste (Nut) in Carbon Carbon trim strip (dashboard) |
| 30 | I XN3 | Luftseitendüse Armaturenbrett Leder Dashboard side air vent in leather |
| 30 | I XPA | 3-Speichen Sportlenkrad, Leder Interieurfarbe 3-spoke sports steering wheel in leather interior color |
| 30 | I XPB | 3-Speichen Sportlenkrad, Wurzelholz/Ahorn hell, Leder 3-spoke sports steering wheel, light burr maple, leather |
| 30 | I XPC | 3-Speichen Sportlenkrad, Wurzelholz/Ahorn dunkel, Leder 3-spoke sports steering wheel, dark burr maple, leather |
| 30 | I XPD | 3-Speichen Sportlenkrad, Carbon/Leder 3-spoke sports steering wheel, carbon/leather |
| 30 | I XPG | 3-Speichen Sportlenkrad, Sportsilber 3-spoke sports steering wheel, sports seats |
| 30 | I XPV | Multi-funktions-Lenkrad Galvanosilber Multi-function steering wheel rim, Galvano Silver |
| 30 | I XPW | Instrumentenabdeckung Unterteil Wurzelholz/Ahorn Hell Instrument surround in light burr maple |
| 30 | I XPX | Instrumentenabdeckung Unterteil Wurzelholz/Ahorn Dunkel Instrument surround in dark burr maple dark |
| 30 | I XPY | Instrumentenabdeckung Unterteil Carbon Carbon instrument surround |
| 30 | I XRB | Sport-Classic-2 Rad 18" 18" Sport Classic II wheel |
| 30 | I XRC | Sport-Techno Rad 18" 18" SportTechno wheel |
| 30 | I XRL | Sport-Design-Rad 18" 18" SportDesign wheel |
| 30 | I XRN | Distanzscheiben 17 mm, hinten 17-mm spacers, rear |
| 30 | I XRP | Distanzscheiben 5 mm, vorn/hinten 5-mm spacers, front/rear |
| 30 | I XRR | Carrera Sport Rad 19" 19-in. Carrera Sport wheel |
| 30 | I XSA | Sportsitzrückenlehne lackiert Painted sports seat backrest |
| 30 | I XSB | Sportsitzrückenlehne in Leder Leather sports seat backrest |
| 30 | I XSC | Porsche Wappen geprägt in Kopfstütze Porsche crest embossed in headrest |
| 30 | I XSD | Sitzbedienelemente in Leder Front seat controls in leather |
| 30 | I XSE | Schalensitz links Bucket seat, left |

MXI KAT30

| | | |
|----|-------|--|
| 30 | I XSF | Schalensitz rechts Bucket seat, right |
| 30 | I XSG | Rennschalensitz links Racing bucket seat, left |
| 30 | I XSH | Sicherheitsgurte in Silber Silver safety belts |
| 30 | I XSJ | 6-Punkt-Gurte 6-point harness |
| 30 | I XSL | 6-Punkt-Sicherheitsbügel 6-point safety catch |
| 30 | I XSM | Rennsport-Sicherheitskäfig Racing safety cage |
| 30 | I XSN | Entfall hintere Sitzanlage Omission of rear seats |
| 30 | I XSR | Schalensitz rechts, Rückseite Carbon Carbon back for bucket seat, right |
| 30 | I XSS | Schalensitz links, Rückseite Carbon Carbon back for bucket seat, left |
| 30 | I XSU | Abgepolsterter Sitz Upholstered seat |
| 30 | I XSW | Sicherheitsgurte in Maritimblau Maritime Blue safety belts |
| 30 | I XSX | Sicherheitsgurte in Indischrot Seat belts in guards red |
| 30 | I XSY | Sicherheitsgurte in Speedgelb Seat belts in speed yellow |
| 30 | I XTG | Schwellerabdeckung innen Leder Inner door sills in leather |
| 30 | I XTJ | Türtafelteile Wurzelholz/Ahorn hell Door panel parts in light burr maple |
| 30 | I XTK | Türtafelteile Wurzelholz/Ahorn dunkel Door panel parts in dark burr maple |
| 30 | I XTL | Türtafelteile Carbon Door features in carbon |
| 30 | I XTR | Türtafelteile Alu-Optik Door panel parts in aluminum-look finish |
| 30 | I XTT | Türtafelteile Makassar Macassar door panel parts |
| 30 | I XTU | Türtafelteile Platane Sycamore door panel parts |
| 30 | I XTV | Türtafelteile Leder Leather door panel parts |
| 30 | I XTW | Türtafelteile Galvanosilber Door panel parts in galvano silver |
| 30 | I XVM | Mitteldüse in Leder Leather center air vent |
| 30 | I XVP | Zierleiste inklusive Abdeckung Cupholder in Leder Trim strip including cupholder cover in leather |
| 30 | I XVR | Seiten-/Mitteldüsen in Leder Side/center air vent in leather |
| 30 | I XV1 | Defrosterblende Lederbezogen Defroster trim in leather |
| 30 | I XXZ | Fussstütze Footrest |
| 30 | I XX1 | Fussmatten, Schriftzug, Leder eingefasst Floor mats, logo, leather border |
| 30 | I XX2 | Fussraumbelichtung Illuminated footwell |
| 30 | I XY5 | Kulisse Tiptronic-Wählhebel in Leder Tiptronic gear selector gate in leather |
| 30 | I XZB | Mitteldüse in Carbon Carbon center air vent |
| 30 | I XZD | Abdeckung Innenleuchte in Leder Interior light surround in leather |

MXI KAT30

| | | |
|----|-------|--|
| 30 | I X45 | Instrumenten-Zifferblatt Lackiert in Interieurfarbe Instrument dial in interior color |
| 30 | I X46 | Tiptronic-Wählhebel in Alu/Leder Tiptronic selector lever in alumi ni um/leather |
| 30 | I X47 | Schaltnopf Carbon/Alu/Leder Gear lever knob in carbon/leather |
| 30 | I X48 | Tiptronic-Wählhebel in Carbon/Alu Tiptronic selector lever in carbon/alumi ni um |
| 30 | I X50 | Leistungssteigerung 331/340 kW Powerkit 331/340 kw |
| 30 | I X51 | Leistungssteigerung 250 kW Powerkit 250 kw |
| 30 | I X54 | Edelstahlendrohre Stainless steel tail pipes |
| 30 | I X58 | Handbremshebel Carb/Alu/Leder Handbrake lever in carbon/leather |
| 30 | I X65 | Tiptronic-Wählhebel Wurzelholz Hell/Alu Tiptr. sel. lever in light burr maple/alumi ni um |
| 30 | I X66 | Tiptronic-Wählhebel Wurzelholz Dunkel/Alu Tiptr. sel. lever in dark burr maple/alumi ni um |
| 30 | I X69 | Einstiegsblenden Carbon, Schriftzug, Door entry guards in carbon with logo |
| 30 | I X70 | Einstiegsblenden Edelstahl, Schriftzug Door entry guards in stainless steel with logo |
| 30 | I X71 | Instrumenten-Zifferblatt Lackiert/Alufarbe Instrument dial painted/Alumi ni um-Look finish |
| 30 | I X72 | Schaltnopf Alu/Wurzelholz Hell/Leder Gear lever knob alumi ni um/light burr maple/leather |
| 30 | I X73 | Sportfahrwerk Turbo Turbo sports suspension |
| 30 | I X74 | Sportfahrwerk (exklusiv) Sports suspension (exclusive) |
| 30 | I X75 | Sperrdifferential (exklusiv) Differential lock (exclusive) |
| 30 | I X76 | Schwellderverkleidungen links/rechts Inner door sill guard left/right |
| 30 | I X91 | Handbremshebel Alu/Wurzelholz Hell/Leder Handbrake lever alumi ni um/light burr maple/leather |
| 30 | I X97 | Schaltnopf Alu/Leder Gear lever knob in alumi ni um/leather |
| 30 | I X98 | Handbremshebel Alu/Leder Handbrake lever in alumi ni um/leather |
| 30 | I X99 | Naturalleder Natural leather |
| 30 | I 022 | Zifferblätter Kombiinstrument in schwarz Black-Coloured instrument dials, instrument cluster |
| 30 | I 023 | Zifferblätter Kombiinstrument in silber Silver -coloured instrument dials, instrument cluster |
| 30 | I 024 | Griechenland-Ausführung Version for Greece |
| 30 | I 025 | Zifferblätter Stoppuhr in schwarz Black-coloured instrument dials, stopwatch |
| 30 | I 026 | Zifferblätter Stoppuhr in silber Silver -coloured instrument dials, stopwatch |
| 30 | I 029 | Serienfahrwerk Standard chassis |
| 30 | I 030 | Sportfahrwerk Sport-type running gear |
| 30 | I 032 | Langstreckenfahrwerk Touring suspension |
| 30 | I 034 | Italien - Ausführung Version for Italy |
| 30 | I 058 | Pralldämpfer vorn und hinten Impact absorbers front and rear |
| 30 | I 061 | Grossbritannien-Ausführung Version for Great Britain |

MXI KAT30

| | | |
|----|-------|--|
| 30 | I 062 | Schweden-ausführung Version for Sweden |
| 30 | I 063 | Luxemburg-Ausführung Version Luxemburg |
| 30 | I 064 | Niederlande-Ausführung Version for Netherlands |
| 30 | I 065 | Dänemark-Ausführung Version for Denmark |
| 30 | I 066 | Norwegen-Ausführung Version for Norway |
| 30 | I 067 | Finnland-Ausführung Version for Finland |
| 30 | I 068 | PAP Rechtslenker-Ausführung PAP right-hand drive version |
| 30 | I 069 | Sonstige-Länderausführung Other country version |
| 30 | I 071 | EU-Länderausführung EU country version |
| 30 | I 072 | Mexico-Ausführung Version for Mexico |
| 30 | I 073 | Russland-Ausführung Version for Russia |
| 30 | I 074 | PAP Linkslenker-Ausführung PAP left-hand drive version |
| 30 | I 098 | Linkslenker-Ausführung Left-hand drive version |
| 30 | I 099 | Rechtslenker-Ausführung Right-hand drive version |
| 30 | I 111 | Österreich-Ausführung Version for Austria |
| 30 | I 113 | Kanada - Ausführung Version for Canada |
| 30 | I 114 | Taiwan - Ausführung Version for Taiwan |
| 30 | I 119 | Spanien - Ausführung Version for Spain |
| 30 | I 124 | Frankreich - Ausführung Version for France |
| 30 | I 126 | Beschreibung französisch Control and indications in french lettering |
| 30 | I 127 | Beschreibung schwedisch Control and indications in schwedisch |
| 30 | I 130 | Beschreibung englisch Control and indications in english lettering |
| 30 | I 150 | Betrieb mit verbleitem Kraftstoff Operates with leaded gas |
| 30 | I 159 | Leistungsreduzierter Motor 155 kW/211 PS Curbed engine 155 kw/211 bhp |
| 30 | I 193 | Japan-Ausführung Version for Japan |
| 30 | I 194 | Batterie 60 Ah Battery 60 ah |
| 30 | I 195 | Batterie 70 Ah Battery 70 ah |
| 30 | I 196 | Batterie 80 Ah Battery 80 ah |
| 30 | I 197 | Stärkere Batterie Stronger battery |
| 30 | I 198 | Stärkerer Anlasser (1,7 kW) Enhanced starter motor (1.7 kw) |
| 30 | I 199 | Batterietrennschalter Battery disconnecti on swi tch |
| 30 | I 200 | Batterie 95 Ah * |
| 30 | I 210 | Kennzeichenhalter Ausführung 2 Licence plate holder version 2 |
| 30 | I 211 | Kennzeichenhalter Ausführung 3 Licence plate holder version 3 |

MXI KAT30

| | | |
|----|-------|--|
| 30 | I 215 | Saudi -Arabi en - Ausführung Version for Saudi Arabia |
| 30 | I 218 | Kennzei chenhal ter Ausführung 4 Li cence plate holder versi on 4 |
| 30 | I 219 | Ausgl ei chsgetri ebe Di fferenti al |
| 30 | I 220 | Sperrdi fferenti al 40 % Locki ng di fferenti al 40 % |
| 30 | I 225 | Bel gi en-Ausführung Versi on for Bel gi um |
| 30 | I 249 | Ti ptroni c-Getri ebe Ti ptroni c transmi ssi on |
| 30 | I 265 | Automati sch abbl endbarer Innenspi egel mi t Regensensor Automati c anti -dazzle interi or mi rror wi th rain sensor |
| 30 | I 266 | Automati sch abbl endbarer Aussenspi egel Automati c anti -dazzle exteri or mi rror |
| 30 | I 267 | Automati sch abbl endbarer Innen und Aussenspi egel Automati cally di mmabl e interi or and exteri or mi rror |
| 30 | I 268 | Regensensor Rai n sensor |
| 30 | I 270 | Aussenspi egel für Fahrersei te -plan-, el ektri sch verstell - und behei zbar Outsi de mi rror -plan- dri ver' s si de, el ectri cal y adj ustable and heatabl e |
| 30 | I 271 | Aussenspi egel für Fahresei te -asphäri sch-, el ektri sch verstell - und behei zbar Outsi de mi rror -aspheri cal - dri ver' s si de, el ectri cal y adj ustable and heatabl e |
| 30 | I 273 | Aussenspi egel , el ektri sch verstell - und behei zbar Outsi de mi rror, el ectri cal ly adj ustable and heatabl e |
| 30 | I 274 | Make-Up Spi egel beleuchtet Make-up mi rror i l l u mi nated |
| 30 | I 277 | Schwei z-Ausführung Versi on for Swi tzerl and |
| 30 | I 288 | Schei nwerfer-Rei ni gungsanl age Headl amp washer |
| 30 | I 301 | Getri ebeübersetzung l ang Transmi ssi on rati o l ong |
| 30 | I 325 | Südafri ka/Neuseel and-Ausführung Versi on for South Afri ca/New Zeal and |
| 30 | I 335 | 3-Punkt-Automati k-Gurte, hinten Automati cal safety bel t, 3-point, rear |
| 30 | I 338 | Heck-Antri eb Rear-wheel dri ve |
| 30 | I 339 | Allrad-Antri eb 4-wheel dri ve |
| 30 | I 342 | Sitzhei zung, l i nks u. rechts Seat heating system, l eft/right seat |
| 30 | I 369 | Basissitz l i nks Series seat, l eft |
| 30 | I 370 | Basissitz rechts Series seat, ri ght |
| 30 | I 375 | Sportsitz, Lehnenschale, l i nks Sportseat, backrest shel l, l eft |
| 30 | I 376 | Sportsitz, Lehnenschale, rechts Sportseat, backrest shel l, ri ght |
| 30 | I 377 | Sportsitz, Lehnenschale, l i nks, el ektri sch verstell bar Sportseat, backrest shel l, l eft, el ectri cal ly adj ustable |

MXI KAT30

| | | |
|----|-------|--|
| 30 | I 378 | Sportsitz, Lehnenschale, rechts, elektrisch verstellbar Sportseat, backrest shell, right, electrically adjustable |
| 30 | I 392 | Carrera Rad 17" 17" Carrera wheel |
| 30 | I 393 | Rad Boxster-2 17" (987) 17" Boxster II wheel (987) |
| 30 | I 397 | Rad Boxster S 18" (987) 18" Boxster II wheel (987) |
| 30 | I 398 | Cayman Rad 17" 17-in. Cayman wheel |
| 30 | I 401 | Cayman S Rad 18" 18-in. Cayman S wheel |
| 30 | I 402 | Carrera 3 Rad 18" Carrera 3 wheel 18" |
| 30 | I 403 | Carrera S Rad 19" Carrera S wheel 19" |
| 30 | I 404 | Turbo-1 Rad 19" 19" Turbo-1 wheel |
| 30 | I 405 | Carrera Classic Rad 19" Carrera classic wheel 19" |
| 30 | I 406 | Carrera GT Rad 19"/20" Carrera GT wheel 19"/20" |
| 30 | I 407 | Sport-Design Rad 19" Sportdesign wheel 19" |
| 30 | I 410 | Turbo-2 Rad 18" 18" Turbo-2 wheel |
| 30 | I 411 | Carrera-Rad 18" 18" Carrera-wheel |
| 30 | I 415 | Turbo-Look-2 Rad 18" 18" Turbo-Look II wheel |
| 30 | I 416 | Rad GT3 18" 18" GT3 wheel |
| 30 | I 418 | Rad Turbo-2 18" GT-Silber 18" Turbo II wheel in GT Silver |
| 30 | I 424 | CD-Ablage Cd compartment |
| 30 | I 425 | Heckscheibenwischer Rear window wiper |
| 30 | I 426 | Ohne Heckscheibenwischer Without rear window wiper |
| 30 | I 431 | Multi-funktionslenkrad, Touch & Feel Multi-function steering wheel, touch & feel |
| 30 | I 432 | Lenkrad mit Tiptronic-Bedienung Steering wheel with tiptronic control |
| 30 | I 435 | Sportlenkrad Sports steering wheel |
| 30 | I 436 | 3-Speichen-Airbaglenkrad 3-spoke airbag steering wheel |
| 30 | I 437 | Komfortsitze links, elektrisch verstellbar Comfort seat left, electrically adjustable |
| 30 | I 438 | Komfortsitze rechts, elektrisch verstellbar Comfort seat right, electrically adjustable |
| 30 | I 439 | Elektrische, Verdeckbetätigung Electrical roof catch |
| 30 | I 440 | Antennen-Diversität Antenna diversity |
| 30 | I 441 | Radiovorbereitung Prepared for radio |
| 30 | I 444 | Diebstahlsicherung, Radschrauben "THATCHAM" Anti-theft lock, wheel bolts "THATCHAM" |

MXI KAT30

| | | |
|----|-------|---|
| 30 | I 446 | Radzierdeckel konkav Concave hub cape mit farbigem Wappen with coloured escutcheon |
| 30 | I 447 | Notrad Emergency wheel |
| 30 | I 448 | Bremsbelag; Sportausführung Brake pad; sport version |
| 30 | I 450 | Keramik-Bremse (PCCB) Ceramic brake (PCCB) |
| 30 | I 451 | Multi funktionslenkrad, makassar, Touch & Feel Multi-function steering wheel, makassar, touch & feel |
| 30 | I 452 | Multi funktionslenkrad, platane, Touch & Feel Multi-function steering wheel, sycamore wood, touch & feel |
| 30 | I 453 | Multi funktionslenkrad, carbon, Touch & Feel Multi-function steering wheel, carbon, touch & feel |
| 30 | I 454 | Automatische Geschwindigkeitsregulierung Automatic speed control |
| 30 | I 459 | 3-Speichen-Airbaglenkrad, Touch & Feel 3-spoke airbag steering wheel, touch & feel |
| 30 | I 460 | Sportlenkrad, Touch & Feel Sports steering wheel, touch & feel |
| 30 | I 461 | Stabantenne Rod antenna |
| 30 | I 465 | Nebelschleuchte links Rear fog light, left |
| 30 | I 466 | Nebelschleuchte rechts Rear fog light, right |
| 30 | I 475 | Elektrische Dämpferregelung "PASM" "PASM" electronic damper control |
| 30 | I 476 | Porsche Stability Management (PSM) Porsche stability management (PSM) |
| 30 | I 479 | Australien - Ausführung Version for Australia |
| 30 | I 480 | 6-Gang Schaltgetriebe 6-speed manual transmission |
| 30 | I 482 | Reifendruckkontrolle, RDK 433 Mhz Tyre pressure monitoring tpm, 433 mhz |
| 30 | I 483 | Reifendruckkontrolle, RDK 315 Mhz 315-mhz tpm, tyre pressure monitoring |
| 30 | I 484 | USA - Ausführung Version for USA |
| 30 | I 488 | Beschriftung deutsch Inscriptions in german language |
| 30 | I 490 | Klangpaket "ASK" Sound system "ASK" |
| 30 | I 492 | Scheinwerfer für Linksverkehr For left-hand traffic |
| 30 | I 498 | Entfall der Modellbezeichnung am Heck Without vehicle-type-lettering on rear end |
| 30 | I 499 | Ausführung für die Bundesrepublik Deutschland Version for Germany |
| 30 | I 501 | Car-Cover Car cover |
| 30 | I 509 | Feuerlöscher Fire extinguisher |
| 30 | I 513 | Lordosenstütze rechter Sitz Back-support (lordose) right seat |
| 30 | I 524 | Wegfahrsicherung, Zentralverriegelung, 433 MHz Immobilizer, central locking, 433 mhz |
| 30 | I 525 | Wegfahrsicherung, Zentralverriegelung, 315 MHz Immobilizer, central locking, 315 mhz |
| 30 | I 532 | Entfall Fernbedienung Alarmanlage Deleted remote control anti-theft device |

MXI KAT30

- 30 I 533 Entfall Funkbetätigung Verdeck
Radio convertible-top operation omitted
- 30 I 534 Diebstahlsicherungsanlage 433 Mhz
Theft security system 433 mhz
- 30 I 535 Diebstahlsicherungsanlage 315 Mhz
Theft security system 315 mhz
- 30 I 536 Alarmsirene und neigungsgeber
Alarm siren and tilt sensor
- 30 I 537 Sitzpositions-Steuerung für
Komfortsitz, links
Seating position control for
confort seat, left
- 30 I 538 Sitzpositions-Steuerung für
Komfortsitz, rechts
Seating position control
for confort seat, right
- 30 I 539 Mechanische Sitzhöhenverstellung links
Mechanical seat-height adjustment left
- 30 I 540 Mechanische Sitzhöhenverstellung rechts
Mechanical seat-height adjustment right
- 30 I 544 Diebstahlsicherung ohne Infrarot-
Überwachung 433 MHz
Anti-theft protection without infrared
Monitoring 433 mhz
- 30 I 545 Diebstahlsicherung ohne Infrarot-
Überwachung 315 MHz
Anti-theft protection without infrared
Monitoring 315 mhz
- 30 I 549 Dachtransportsystem
Roof rack system
- 30 I 550 Hardtop
- 30 I 551 Windstop
Wind deflector
- 30 I 553 USA-Canada-Ausführung
Version for USA, Canada
- 30 I 554 Bugspoilerlippe bei gelegt
Front spoiler lip included
- 30 I 555 Sicherheitsgurte in Schwarz
Black safety belts
- 30 I 560 Advanced Airbag
Advanced airbag
- 30 I 562 Airbag Fahrer- und Beifahrerseite
Airbagdriver's side and front passenger's side
- 30 I 563 Seitenairbag
Side airbag
- 30 I 566 Nebelscheinwerfer weiss
Fog-headlamps, white
- 30 I 567 Frontscheibe im oberen Bereich
stark eingefärbt
Windshield tinted, upper part
darker coloured
- 30 I 568 Windschutzscheibe ohne Bandfilter
Windscreen without shade band
- 30 I 571 Aktivkohlefilter
Activated charcoal filter
- 30 I 572 Klimaanlage manuell
Manual air-conditioning system
- 30 I 573 Klima-Anlage
Air conditioner
- 30 I 574 Ohne Klimaanlage
Without air conditioner
- 30 I 575 Kofferraumkühlung
Luggage compartment cooling system
- 30 I 581 Mittelkonsole vorn
Center console front
- 30 I 584 Ablagebox auf Motordeckel
Storage box on engine cover

MXI KAT30

| | | |
|----|-------|---|
| 30 | I 586 | Lordosenstütze linker Sitz Back-support (lordose) left seat |
| 30 | I 601 | Xenon-Licht Xenon light |
| 30 | I 602 | Hochgesetzte Bremsleuchte Araised stop lamp |
| 30 | I 606 | Tagfahrlicht Daytime running lamp |
| 30 | I 607 | Garagentoröffner "Homelink" 315Mhz Garage door opener "homelink" 315Mhz |
| 30 | I 608 | Garagentoroeffner "Homelink" 433Mhz Garage door opener "homelink" 433mhz |
| 30 | I 610 | DVD Navigation "Paket Europa" DVD navigation "paket Europa" |
| 30 | I 611 | DVD Navigation Südafrika DVD navigation South Africa |
| 30 | I 612 | DVD Navigation mittlerer Osten DVD navigation middle east |
| 30 | I 613 | DVD Navigation Australien DVD navigation australia |
| 30 | I 614 | DVD Navigation Asien-Pazifik DVD navigation asia-pacific |
| 30 | I 615 | DVD Navigation, Nordamerika DVD navigation system, North America |
| 30 | I 616 | DVD, Navigation Russland DVD, Navigation Russia |
| 30 | I 618 | Telefonvorbereitung Preparation of telephone installation |
| 30 | I 620 | E-Gas E-accelerator |
| 30 | I 621 | 12 Volt Steckdose, Bei fahrerseite, Fussraum 12-V socket, passenger's side, footwell |
| 30 | I 625 | Porsche "entry and drive""KESSY" "KESSY" porsche entry and drive |
| 30 | I 635 | Ei nparkhilfe Parking assistant |
| 30 | I 639 | Sport-Chrono-Paket Sports chrono package |
| 30 | I 640 | Sport-Chrono-Paket plus Sports chrono package plus |
| 30 | I 641 | elektronisches Fahrtenbuch electronic logbook |
| 30 | I 650 | Elektrisches Schiebedach Electrical sliding roof |
| 30 | I 651 | Elektrischer Fensterheber Electric window opener |
| 30 | I 652 | Ohne Schiebe-Hubdach Without sliding/tilting roof |
| 30 | I 657 | Servolenkung Power assisted steering |
| 30 | I 659 | Bordcomputer Computer |
| 30 | I 660 | OBD 2 OBD 2 |
| 30 | I 661 | Verschärftes Abgaskonzept Stricter emission-control concept |
| 30 | I 664 | ORVR ORVR |
| 30 | I 665 | PCM2 Grundmodul inklusive Radio PCM2 basic module including radio |
| 30 | I 666 | PCM2 Telefon (GSM) PCM2 telephone (GSM) |
| 30 | I 668 | PCM2 Telefonbedienhoerer PCM2 telephone handset |
| 30 | I 670 | PCM2 Navigation PCM2 navigation |
| 30 | I 672 | PCM-2 Navigation Offroad PCM-2 Offroad navigation |

MXI KAT30

| | | |
|----|------|--|
| 30 | 1675 | Ohne Radio Vorbereitung (Japan-Navi) Without radio preparation (Japan nav system) |
| 30 | 1680 | Soundpaket BOSE BOSE sound package |
| 30 | 1685 | Geteilte Rücksitzanlage Rear seats, divided |
| 30 | 1689 | CD-Wechsler Vorbereitung Preparation of CD-changer |
| 30 | 1690 | CD-Radio "Porsche Online Pro" CD-radio "Porsche online pro" |
| 30 | 1692 | CD-Wechsler "Porsche" CD-changer "Porsche" |
| 30 | 1694 | CD-Radio "PORSCHE CDR 24" CD-radio "PORSCHE CDR 24" |
| 30 | 1697 | CD-Radio "Porsche CDR 23" CD-Radio "Porsche CDR-23" |
| 30 | 1789 | Individualfarbe * |
| 30 | 1796 | Ganzlederausstattung Naturlleder Full leather trim natural leather |
| 30 | 1798 | Ganzlederausstattung Sonderleder Full leather trim special leather |
| 30 | 1799 | Ganzlederausstattung nach Wahl Full leather trim by choice |
| 30 | 1801 | Holzpaket Makassar, dunkel seidenmatt Makassar wood package, dark dulled satin |
| 30 | 1802 | Holzpaket Platane, hell seidenmatt Sycamore wood package, light dulled satin |
| 30 | 1803 | Carbonpaket Carbon package |
| 30 | 1804 | Exterieur-Paket Carbon GT2 GT2 carbon exterior package |
| 30 | 1805 | Lifestyle-Paket Lifestyle package |
| 30 | 1810 | Fussmatten * |
| 30 | 1936 | Sitzbezüge hinten, Leder Seat covers rear, leather |
| 30 | 1937 | Sitzbezüge hinten, Kunstleder Seat covers rear, leatherette |
| 30 | 1939 | Sitzbezüge hinten, Raffleder Seat covers rear, draped leather |
| 30 | 1946 | Sitzbezüge vorne, Leder/Leder/Kunstleder Seat covers front, leather/leather/leatherette |
| 30 | 1950 | Sitzbezüge vorne, Alcantara/Kunstleder/Kunstleder Alcantara seat covers front |
| 30 | 1951 | Sitzbezüge vorne, Alcantara/Leder/Leder Seat covers front, Alcantara/leather/leather |
| 30 | 1970 | Innenaustattung zwei farbig Two-tone interior |
| 30 | 1971 | Naturlleder mit "TORO"-Prägung "TORO" embossed leather |
| 30 | 1981 | Leder-Ausstattung, ohne Sitzbezug Leather equipment, without seat covers |
| 30 | 1982 | Sitzbezüge vorne, Raffleder/Leder/Leder Seat covers front, draped leather/leather/leather |
| 30 | 1983 | Sitzbezüge vorne, Leder Seat covers front, leather |
| 30 | 1985 | Sitzbezüge, Leder/Leder/Kunstleder, 2 Seat covers, leather/leather/leatherette, 2 |

MXI KAT30

| | | |
|----|------|--|
| 30 | 1990 | Sitzbezüge vorne, Stoff/Stoff/Kunstleder Seat covers front, cloth/cloth/leatherette |
| 30 | 1991 | Airbagmodul in Leder Steering wheel airbag module in leather |
| 30 | 1998 | Leder, Natur Leather, nature |
| 30 | 1999 | Innenraumüberwachung Sensor für Lederfarbe nach Wahl Passenger compartment monitoring sensor for leather colour of choice |

PORSCHE

PET V-Pages

PORSCHE

| | | | | | | | | |
|-------|------|----|----|--------------|---------|--------|-------|------------|
| Model | Year | MG | SG | Illustration | VIN No. | Update | | |
| 997t | 07 | 9 | 11 | 911-10 | | 203 | 10:16 | 30.08.2006 |

FR203

VEHICLE TYPE

MY VIN

ENGINE TYPE

| | | | | | |
|-----------|------------------|------|-------------------|--------|--------|
| 997 TURBO | | 07 7 | 997S7 80061>83000 | M97.70 | 353 KW |
| 997 TURBO | (USA.CDN.MEX.BR) | 07 7 | 997S7 83061>90000 | M97.70 | 353 KW |

PORSCHE

PET V-Pages

PORSCHE

| | | | | | | | | |
|-------|------|----|----|--------------|---------|--------|-------|------------|
| Model | Year | MG | SG | Illustration | VIN No. | Update | | |
| 997t | 07 | 9 | 11 | 911-10 | | 203 | 10:17 | 30.08.2006 |

MR203

| VEHICLE TYPE | ENGINE | TYPE | MY | ENGINE NO. | TECHNICAL DATA |
|------------------|--------|------|----|-----------------|-------------------|
| 997 TURBO | M97.70 | 07 | 7 | 627 00501>18000 | 6ZYL/3,6L /353 KW |
| 997 TURBO TAIWAN | M97.70 | 07 | 7 | 627 18501>20000 | 6ZYL/3,6L /353 KW |

PORSCHE

PET V-Pages

PORSCHE

| | | | | | | | | |
|-------|------|----|----|--------------|---------|--------|-------|------------|
| Model | Year | MG | SG | Illustration | VIN No. | Update | | |
| 997t | 07 | 9 | 11 | 911-10 | | 203 | 10:17 | 30.08.2006 |

GR203

| VEHICLE TYPE | TYPE | MY | TRANSMISSION NO. | TECHNICAL DATA |
|--------------|--------|------|-----------------------|----------------|
| 997 TURBO | G97.50 | 07 7 | G9750 1 002001>999999 | 6-GANG |
| 997 TURBO | A97.50 | 07 7 | A9750 1 002001>999999 | 5-GANG |